

2024

Components



the weigh you want... *today!*



Dear Customer:

This catalog has been prepared especially for the professional in the weighing industry. I think that you will find it informative and helpful.

We pride ourselves on answering the phone on the first ring and shipping your order the same day that you place it. This is due to our huge inventory.

You can depend on our price being the best in the industry. If you have a need for a large quantity we can give you a better price.

Thank you for being our customer. We look forward to many successful years with you.

Best Personal Regards
Rudolph J. Kolaci
President

Canister

S Type

Beam

Tank Mount

Tank

Truck

Single point

Fluid damp

Foot cell

Load pin

Base

Port base

Floor kit

Tank kit

Livestock

Indicators

T Belting

Cable

Mounting

Supplies

Power

Test

Weights

Hazardous

Process

Remote

Bar Code

Printers

J Box

Mission

Serve, Supply, & Inform You with Totalcompetence.

Vision

Embrace Change While Maintaining Values.

Values

Honest in all of our dealings.

Helpful to our customers & each other.

Happy in both home and office.

Healthy in all aspects of our lives.

To see current dealer pricing please go to www.Totalcomp.com and create an account.

After dealer approval, you will be able to order online as an authorized Totalcomp reseller.

Please feel free to call us at 201-797-2718 should you have any issues successfully registering.

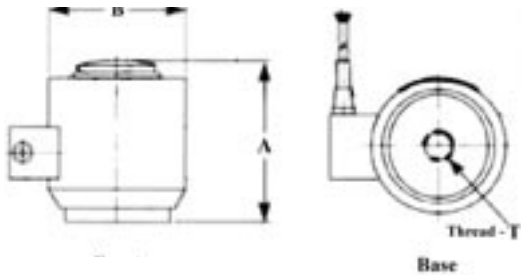
Canister compression

Industrial quality, heavy duty construction, load cells will perform well under extreme environmental conditions. These are top of the line with welded, hermetically sealed cases that contain the strain gages. They should be used as replacement cells for weighing applications that demand the highest degree of reliability such as Truck, Track, Hopper and Tank scales. These cells cost more than nonhermetically sealed units; but this must be compared to the potential cost of the scale being out of service.

Note: Resistance specifications are in the form "input"/"output" ohms if two values are given. Only one value is "input" ohms.



CP



CP Revere

1.75 mv/v, 450/480 ohm, 30 ft 4 wire cable, **stainless steel**. IP67.

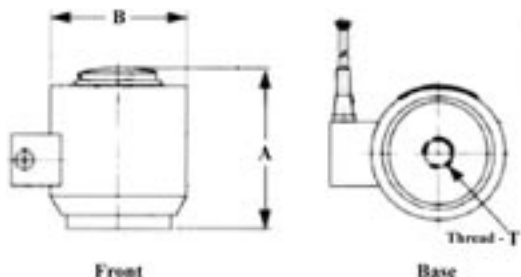
Part Number	Capacity	Weight	Stock	List
CP-D3-10K	10,000 lb	7 lb	1	\$ 1,552.87
CP-D3-25K	25,000 lb	7 lb	2	1,552.87
CP-D3-50K	50,000 lb	7 lb	3	1,552.87
CP-D3-100K	100,000 lb	15 lb	4	1,856.97
CP-D3-200K	200,000 lb	37 lb	5	2,639.67
CP-D3-300K	300,000 lb	39 lb	6	3,882.63
CP-D3-500K	500,000 lb	60 lb	7	5,873.55

Dimensions in inches

Capacity	A	B	T
10-50K	3.25	2.88	1/2-20 UNF
100K	5.00	4.12	3/4-16 UNF
200K-300K	7.25	6.00	3/4-16 UNF
500K	9.00	6.50	3/4-46 UNF



CSP



CSP Revere

2 mv/v, 450/480 ohm, 30ft 4 wire cable, **stainless steel**. IP67.
NTEP Legal for Trade 88-082

Part Number	Capacity	Weight	Stock	List
CSP-D3-10K	10,000 lb	7 lb	8	\$ 1,895.63
CSP-B10-25K	25,000 lb	7 lb	9	1,895.63
CSP-B10-50K	50,000 lb	7 lb	10	1,895.63
CSP-B10-100K	100,000 lb	15 lb	11	2,163.15
CSP-B10-200K	200,000 lb	37 lb	12	2,317.81
CSP-D3-300K	300,000 lb	39 lb	13	3,253.09
CSP-D3-500K	500,000 lb	60 lb	14	4,792.37

* Not NTEP

Dimensions in inches

Capacity	A	B	T
10-50K	3.25	2.88	1/2-20 UNF
100K	5.00	4.12	3/4-16 UNF
200K-300K	7.25	6.00	3/4-16 UNF
500K	9.00	6.50	3/4-46 UNF

* Not NTEP

Prices are subject to change without notice. Please call for current prices.

Other items are available from the manufacturers, please call for quote.

TCP1 Totalcomp

Interchangeable with Revere model CP and TI model 392 but not NTEP.
1.75 mv/v, 450/480 ohm, 50 ft 4 cable, **stainless steel**. IP67.

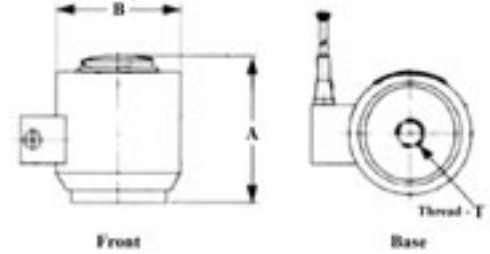
Part Number	Capacity	Weight	Stock	List
TCP1-10K-SS	10,000 lb	7 lb	1860	\$ 1,270.50
TCP1-25K-SS	25,000 lb	7 lb	1861	1,270.50
TCP1-50K-SS	50,000 lb	7 lb	1862	1,270.50
TCP1-100K-SS	100,000 lb	13 lb	1863	1,501.50
TCP1-200K-SS	200,000 lb	29 lb	1864	1,848.00
TCP1-300K-SS	300,000 lb	29 lb	1865	1,848.00
TCP1-500K-SS	500,000 lb	46 lb	1676	3,176.25



TCP1

Dimensions in inches

Capacity	A	B	T
10-50K	3.25	2.88	1/2-20 UNF
100K	5.00	4.12	3/4-16 UNF
200K-300K	7.25	6.00	3/4-16 UNF
500K	9.00	6.50	3/4-46 UNF



TCSP1 Totalcomp

Interchangeable with Revere model CP and TI model 392 but not NTEP.
2 mv/v, 450/480 ohm, 50 ft 4 wire cable, **stainless steel**. IP67.

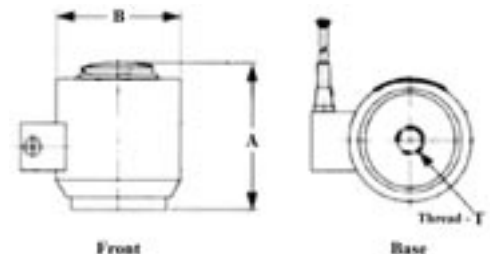
Part Number	Capacity	Weight	Stock	List
TCSP1-10K-SS	10,000 lb	7 lb	1866	\$ 1,270.50
TCSP1-25K-SS	25,000 lb	7 lb	1867	1,270.50
TCSP1-50K-SS	50,000 lb	7 lb	1868	1,270.50
TCSP1-100K-SS	100,000 lb	13 lb	1869	1,501.50
TCSP1-200K-SS	200,000 lb	29 lb	1870	1,848.00
TCSP1-300K-SS	300,000 lb	29 lb	1871	1,848.00
TCSP1-500K-SS	500,000 lb	46 lb	1893	3,176.25



TCSP1

Dimensions in inches

Capacity	A	B	T
10-50K	3.25	2.88	1/2-20 UNF
100K	5.00	3.25	3/4-16 UNF
200K-300K	7.25	4.88	3/4-16 UNF
500K	9.00	5.37	3/4-46 UNF

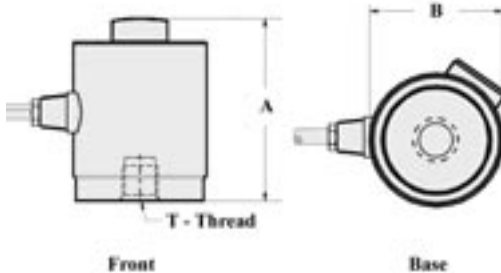


Canister compression

Canister



65088



65088 Sensortronics

Interchangeable with Revere model CSP1 and TI model 682. but not NTEP.
2 mv/v, 450/480 ohm, 35 ft 4 wire cable, **stainless steel**, IP67.
NTEP Legal for Trade 95-134

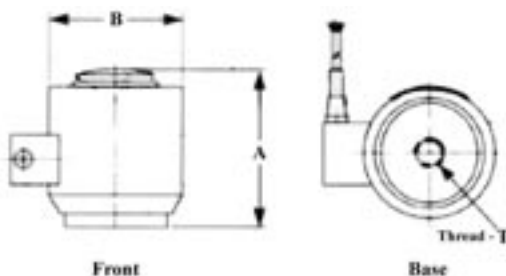
Part Number	Capacity	Weight	Stock	List
65088-25K-1000	25,000 lb	7 lb	4786	\$ 1,726.34
65088-50K-1000	50,000 lb	7 lb	4787	1,726.34
65088-100K-1000	100,000 lb	15 lb	4788	1,991.77
65088-200K-1000	200,000 lb	37 lb	4789	3,803.80

Dimensions in inches

Capacity	A	B	T
25-50K	3.25	3.00	1/2-20 UNF
100K	5.00	4.00	3/4-16 UNF
200K	7.25	6.00	3/4-16 UNF



90310



90310 Artech

Interchangeable with Revere model CSP1 and TI model 692.
2 mv/v, 450/480 ohm, 30 ft 4 wire cable, painted steel. IP67.
NTEP Legal for Trade 95-092

Part Number	Capacity	Weight	Stock	List
90310-25K	25,000 lb	7 lb	3255	\$ 1,802.00
90310-50K	50,000 lb	7 lb	3256	1,802.00
90310-100K	100,000 lb	15 lb	3257	1,943.33
90310-200K	200,000 lb	37 lb	3258	2,299.22
90310-300K	300,000 lb	39 lb	3272	3,522.49
90310-500K	500,000 lb	46 lb	3273	4,982.72

Dimensions in inches

Capacity	A	B	T
10-50K	3.25	2.87	1/2-20 UNF
100K	5.00	4.12	3/4-16 UNF
200K-300K	7.25	6.00	3/4-16 UNF
500K	9.00	6.53	3/4-16 UNF

Prices are subject to change without notice. Please call for current prices.

Other items are available from the manufacturers, please call for quote.

C3P1 BLH

3 mv/v, 350/350 ohm, 30 ft 4 cable, painted steel. IP67.

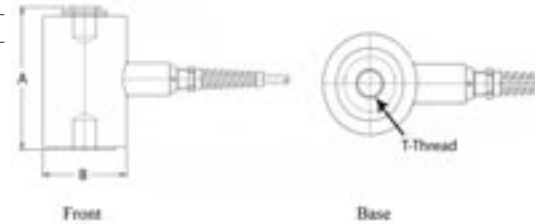
Part Number	Mfg	Capacity	Weight	Stock	List
3P1-500	464916	500 lb	11 lb	19	\$ 2,889.00
C3P1-1K	464917	1,000 lb	11 lb	20	2,889.00
C3P1-2K	464918	2,000 lb	11 lb	21	2,889.00
C3P1-3K	464919	3,000 lb	11 lb	22	2,889.00
C3P1-5K	464924	5,000 lb	13 lb	23	2,996.00
C3P1-10K	464925	10,000 lb	13 lb	24	2,996.00



C3P1

Dimensions in inches

Capacity	A	B	T
500-3K	4.56	3.50	1/2-20 UNF
5K-10K	5.94	3.50	1-14 UNF



C2P1 BLH

2 mv/v, 350/350 ohm, 10 ft 4 cable, painted steel, IP67.

NTEP 87-060 Legal for Trade III, 4,500M

Part Number	Mfg	Capacity	Weight	Stock	List
C2P1-20K-A10	464710	20,000 lb	23 lb	25	\$ 3,398.00
C2P1-50K-A10	464712	50,000 lb	24 lb	27	3,455.00
C2P1-100K-A10	464713	100,000 lb	44 lb	28	3,540.00
C2P1-200K-A10	464714	200,000 lb	99 lb	29	5,481.00
C2P1-300K-A10	464715	300,000 lb	150 lb	6754	8,787.00
C2P1-300K	464716	500,000 lb	250 lb	6755	16,933.00

35ft cable

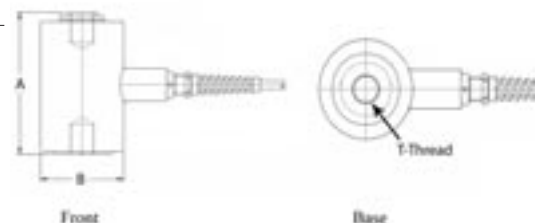
C2P-20K-A35	464730	20,000 lb	24 lb	26	3,548.00
C2P1-50K-A35	464732	50,000 lb	25 lb	47	3,606.00
C2P1-100K-A35	464733	100,000 lb	46 lb	48	3,680.00
C2P1-200k-A35	464734	200,000 lb	99 lb	49	5,625.00
C2P1-300K-A35	464735	300,000 lb	150 lb	6879	8,926.00
C2P1-500K-A35	464736	500,000 lb	250 lb	6880	17,047.00

Dimensions in inches

Capacity	A	B	T
20-50K	7.50	4.50	3/8-20 UNF
100K	9.12	6.00	1/2-20 UNF
200K	11.62	8.00	5/8-18 UNF



C2P1



Prices are subject to change without notice. Please call for current prices.

Other items are available from the manufacturers, please call for quote.

13-01 Pollitt Dr Ext
Fair Lawn NJ 07410
201-797-2718

Totalcomp
Components

www.totalcomp.com
sales@totalcomp.com
Fax 201-797-2287



TC3P1

TC3P1 Totalcomp

Interchangeable with BLH model C3P1. Order load button separately.
3 mv/v, 350/350 ohm, 30 ft 4 wire cable, **stainless steel**.

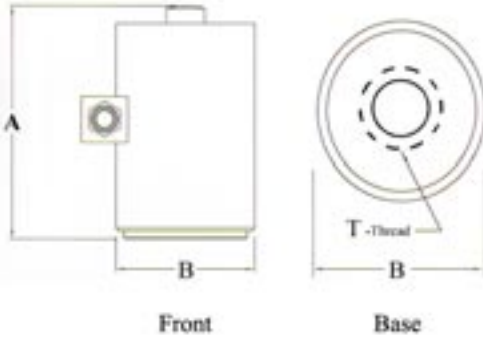
Part Number	Capacity	Weight	Stock	List
TC3P1-55-SS	500 lb	10 lb	1879	\$ 1,175.21
TC3P1-1K-SS	1,000 lb	10 lb	1880	1,175.21
TC3P1-2K-SS	2,000 lb	10 lb	1881	1,175.21
TC3P1-3K-SS	3,000 lb	10 lb	1882	1,175.21
TC3P1-5K-SS	5,000 lb	12 lb	1883	1,334.03
TC3P1-10K-SS	10,000 lb	12 lb	1884	1,334.03

Load buttons

1/2-20 UNF load buttons	500 to 3K	1 lb	272	83.00
1-14 UNF load button	5K to 10K	1 lb	273	138.00

Lod buttons

1 1/2-12 UNF load button	20K to 30K	4 lb	274	208.00
2-12 UNF load button	50K	8 lb	275	416.00



Dimensions in inches

Capacity	A	B	T
500-3K	4.56	3.00	1/2-20 UNF
5K-10K	5.94	3.50	1-14 UNF

TC-C2P1 Totalcomp

Interchangeable with BLH model C2P1. Order load button separately.
2 mv/v, 350/350 ohm, 30 ft 4 wire cable, **stainless steel**.IP67.

Part Number	Capacity	Weight	Stock	List
TC-C2P1-20K-SS	20,000 lb	19 lb	1885	\$ 1,617.00
TC-C2P1-30K-SS	30,000 lb	19 lb	1886	1,950.30
TC-C2P1-50K-SS	50,000 lb	19 lb	1887	1,617.00
TC-C2P1-50K-SS-1000 *	50,000 lb	19 lb	1984	1,617.00

* Replacement for BLH Supercell (yellow) w/1000 ohm bridge.

TC-C2P1-100K-SS	100,000 lb	33 lb	1888	1,848.00
TC-C2P1-200K-SS	200,000 lb	78 lb	1889	2,656.50

Load buttons

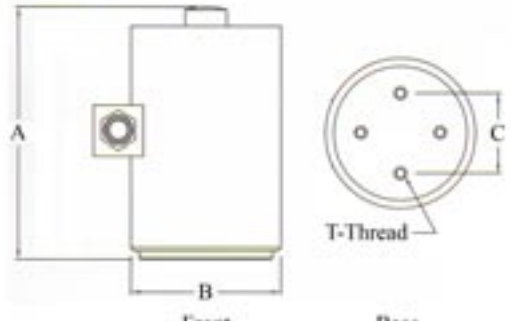
1 1/2-12 UNF load button	20K to 30K	4 lb	274	208.00
2-12 UNF load button	50K	8 lb	275	416.00

Dimensions in inches

Capacity	A	B	C	T
20-50K	7.50	4.50	2.375	3/8-24 UNF
20K-25K	9.125	6.00	4.00	1/2-20 UNF
50K	11.63	8.00	5.00	5/8-18 UNF



TC-C2P1



792 Revere

Interchangeable with BLH model C2P1.
Hermetically sealed
2 mv/v, 350/350 ohm, 35 ft 4 wire cable, **stainless steel**, IP67.
Factory Mutual Approved
NTEP Legal for Trade 91-001

Part Number	Capacity	Weight	Stock	List
792-B10-50K-35P5	50,000 lb	19 lb	2352	\$ 2,041.00
792-B10-100K-35P5	100,000 lb	35 lb	2353	2,175.69
792-B10-200K-35P5	200,000 lb	78 lb	2354	3,206.06

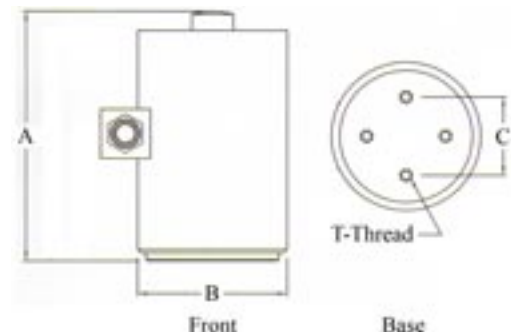


792



Dimensions in inches

Capacity	A	B	C	T
20-50K	7.50	4.50	2.375	3/8-24 UNF
20K-25K	9.125	6.00	4.00	1/2-20 UNF
50K	11.63	8.00	5.00	5/8-18 UNF



Prices are subject to change without notice. Please call for current prices.

Other items are available from the manufacturers, please call for quote.

13-01 Pollitt Dr Ext
Fair Lawn NJ 07410
201-797-2718

Totalcomp
Components

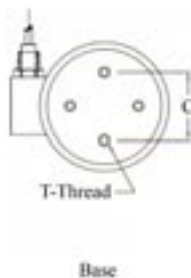
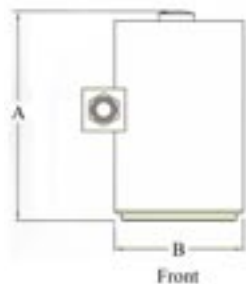
www.totalcomp.com
sales@totalcomp.com
Fax 201-797-2287

Canister compression

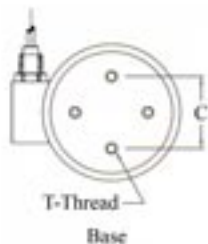
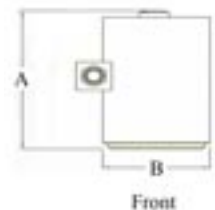
Canister



T752



T96/T496



T752 Totalcomp

Interchangeable with Toledo Model 752 cap check load cell. Cell only, does not include cap. Use existing cap with this replacement cell.
 50K - 4.5" dia tall, (4) 1/2-20 mtg threads in base on 3" bolt circle.
 100K - 6" dia, 8.125" tall, (4) 3/4-16 mtg threads in base on 4" bolt circle.
 2 mv/v, 825/775 ohm, 35 ft 4 wire cable, **stainless steel**. IP67.

Part Number	Toledo	Capacity	Weight	Stock	List
T752-50K-SS	B10883600A	50,000 lb	16 lb	1147	\$ 1,524.60
T752-100K-SS	B10887700A	100,000 lb	29 lb	1148	1,905.75

Mounting Hardware

T752-50K-SS-Cap			5 lb	5406	577.50
T752-50K-SS-Pin			3 lb	5407	189.76
T752-50K-SS-Base			17 lb	5408	807.76
T752-100K-SS-Cap			5 lb	5409	882.76
T752-100K-SS-Pin			3 lb	5410	189.76
T752-100K-SS-Base			33 lb	5411	1,270.50

Dimensions in inches

Capacity	A	B	C	T
50K	6.000	4.50	3.00	5/8-18 UNF
100K	8.125	6.00	4.00	3/4-16 UNF

T96 & T496 Totalcomp

Interchangeable with Toledo canister compression cells.
 2 mv/v, 240/240 ohm, 35 ft cable, **stainless steel**. IP67.

Part Number	Toledo	Capacity	Weight	Stock	List
T96-500-SS	A09622700L	500 lb	8 lb	1448	\$ 1,083.00
T96-1K-SS	A09622700M	1,000 lb	8 lb	1449	1,083.00
T96-2K-SS	A09622700N	2,000 lb	8 lb	1450	1,083.00
T496-5K-SS	049660020	5,000 lb	12 lb	1451	1,461.08
T496-10K-SS	049665020	10,000 lb	12 lb	1452	1,461.08
T496-15K-SS		15,000 lb	21 lb	1713	1,651.65
T496-20K-SS	049675020	20,000 lb	21 lb	1453	1,651.65
T496-50K-SS	049680020	50,000 lb	21 lb	1455	1,651.65

Dimensions in inches

Capacity	A	B	C	T
500-2K	3.312	3.50	-----	1/2-20 UNF Both ends
5K-10K	5.31	4.00	2.38	3/8-24 UNF
15K-50K	7.12	4.50	2.38	3/8-24 UNF

Prices are subject to change without notice. Please call for current prices.

Other items are available from the manufacturers, please call for quote.

LPD General Sensor

Interchangeable with Interface 1211, and Emery Winslow 1211 Totalizer.
4 mv/v, 385/350 ohms, 20 ft 4 wire cable, nickel plated steel, IP67.

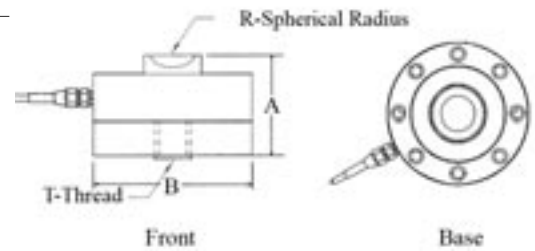
Part Number	Capacity	Weight	Stock	List
LPD-5K	5,000 lb	8 lb	3675	\$ 816.00
LPD-10K	10,000 lb	8 lb	3676	816.00
LPD-25K	25,000 lb	14 lb	3677	918.00
LPD-50K	50,000 lb	14 lb	3678	918.00
LPD-100K	100,000 lb	21 lb	3679	1,020.00



LPD

Dimensions in inches

Capacity	A	B	C	T
5-10K	2.50	4.12	0.625	1/2-20 UNF
25K-50K	3.06	4.75	0.875	3/4-16 UNF
100K	3.39	4.75	0.875	1 1/4-12 UNF



LCD Celtron low profile compression disk cell

4 mv/v, 385/350 ohms, 770/700 ohms for 100K cell, 49.2 ft wire cable, nickel plated steel, IP67.

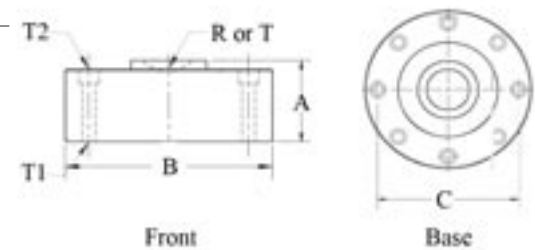
Part Number	Capacity	Weight	Stock	List
LCD-5K	5,000 lb	8 lb	1621	\$ 657.31
LCD-10K	10,000 lb	8 lb	1622	657.31
LCD-25K	25,000 lb	14 lb	1623	833.91
LCD-50K	50,000 lb	14 lb	1624	916.47
LCD-100K	100,000 lb	21 lb	1625	999.02



LCD

Dimensions in inches

Capacity	A	B	C	R	T	T1	T2
5-10K	1.37	4.12	3.50	-----	5/8-18 UNF	0.28	0.41 x 0.28DP
25K-50K	2.12	4.75	4.00	0.87	-----	0.34	0.53 x 0.38DP
100K	2.25	5.43	4.60	0.87	-----	0.41	0.65 x 0.43DP



Prices are subject to change without notice. Please call for current prices.

Other items are available from the manufacturers, please call for quote.

Canister compression

Canister



CG-26S1

CG-26S1 Coti Global

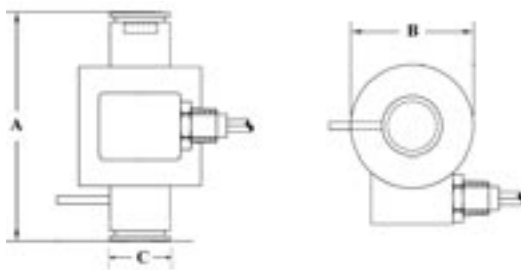
Interchangeable with Sensortronics 65114S. **Stainless steel**, rocker column, compression cell for use in Thurman and Fairbanks truck scales
2 mv/v, 1000/1000 ohms, 50 ft 4 wire cable, **stainless steel**, IP67
NTEP Legal for Trade 08-083

Part Number	Height	Capacity	Weight	Stock	List
CG-26S1-65114-50KSE	6.00"	50,000 lb	8.0 lb	4571	\$ 918.23
CG-26S1-65114-50KLE	7.56"	50,000 lb	9.8 lb	4572	918.23

1.80 mv/v

CG-26S1-50KLE	7.56"	50,000 lb	9.8 lb	4574	918.23
---------------	-------	-----------	--------	------	--------

Dimensions in inches



Capacity	A	B	C
50K	6.00	3.00	1.46
50KLE	7.56	3.00	1.46



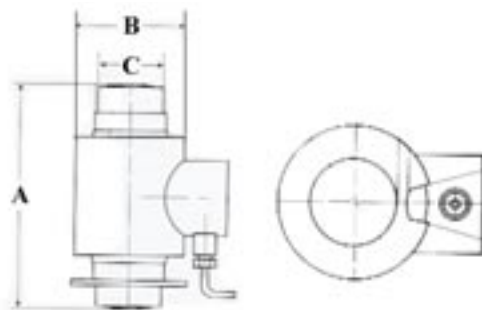
C16

C16 HBM

Stainless steel, rocker column, compression cell, sealed to IP69K washdown cleaning.
2 mv/v, 700/706 ohms, 12m 6 wire cable, **stainless steel**, IP69.
NTEP Legal for Trade 95-096

Part Number	Capacity	Weight	Stock	List
1-C16A3C3/20T-1	20,000 kg	6 lb	2990	\$ 1,516.00
1-C16A3C3/30T-1	30,000 kg	6 lb	2991	1,516.00
1-C16A2C3/40T-1	40,000 kg	8 lb	2992	1,615.00
1-C16A2C3/60T	60,000 kg	10 lb	2993	1,430.00
1-C16A2C3/100T	100,000 kg	30 lb	2994	2,698.00

Dimensions in inches



Front

Base

Capacity	A	B	C
20-40t	5.91	3.00	1.73
60t	8.27	3.00	1.73
100t	10.24	3.74	2.52

Prices are subject to change without notice. Please call for current prices.

Other items are available from the manufacturers, please call for quote.

T92 Totalcomp

Interchangeable with RTI Model 92.
2 mv/v, 350/350 ohm, 30 ft 4 wire cable, **stainless steel**. IP67.

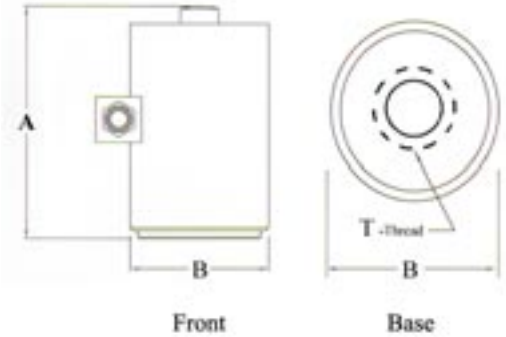
Part Number	Capacity	Weight	Stock	List
T92-5K-SS	5,000 lb	9 lb	2957	\$ 1,461.08
T92-10K-SS	10,000 lb	9 lb	2958	1,461.08
T92-20K-SS	20,000 lb	9 lb	2959	1,492.26
T92-25K-SS	25,000 lb	13 lb	2960	1,492.26
T92-50K-SS	50,000 lb	13 lb	2961	1,492.26
T92-100K-SS	100,000 lb	26 lb	2962	1,651.65
T92-150K-SS	150,000 lb	45 lb	2963	2,159.85
T92-200K-SS	200,000 lb	45 lb	2964	2,159.85



T92

Dimensions in inches

Capacity	A	B	T
5-10K	4.00	3.50	1/2-20 UNF
20K-25K	5.00	3.50	1/2-20 UNF
50K	6.00	4.00	3/4-16 UNF
100K	8.50	5.00	3/4-16 UNF
150K	11.13	6.50	3/4-16 UNF
200K	11.13	6.50	3/4-16 UNF



T93 Totalcomp

Interchangeable with RTI Model 93.
3 mv/v, 350/350 ohm, 30 ft 4 wire cable, **stainless steel**. IP67.

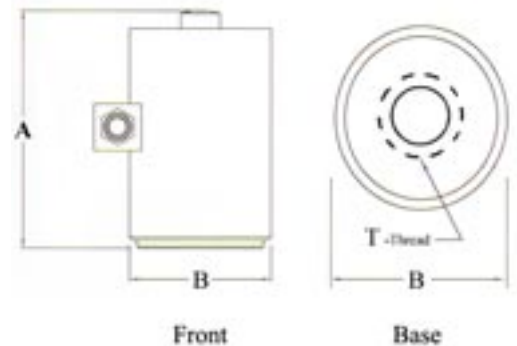
Part Number	Capacity	Weight	Stock	List
T93-5K-SS	5,000 lb	9 lb	2965	\$ 1,461.08
T93-10K-SS	10,000 lb	9 lb	2966	1,461.08
T93-20K-SS	20,000 lb	9 lb	2967	1,492.26
T93-25K-SS	25,000 lb	13 lb	2968	1,492.26
T93-50K-SS	50,000 lb	13 lb	2969	1,492.26
T93-100K-SS	100,000 lb	26 lb	2970	1,651.65
T93-150K-SS	150,000 lb	45 lb	2971	2,159.85
T93-200K-SS	200,000 lb	45 lb	2972	2,159.85



T92

Dimensions in inches

Capacity	A	B	T
5-10K	4.00	3.50	1/2-20 UNF
20K-25K	5.00	3.50	1/2-20 UNF
50K	6.00	4.00	3/4-16 UNF
100K	8.50	5.00	3/4-16 UNF
150K	11.13	6.50	3/4-16 UNF
200K	11.13	6.50	3/4-16 UNF



Prices are subject to change without notice. Please call for current prices.

Other items are available from the manufacturers, please call for quote.

Canister compression

Canister



RTNC3



RTNC3 HBM

Compression load cell

2.85 mv/v, 4450/4010 ohms, **stainless steel**, IP67

4 wire cable. 1T to 15T 5m, 22T 12m, 33T 15, 47T to 68T 12m.

Part Number	Capacity	Weight	Stock	List
1-RTNC3/1T	1t	2 lb	466	\$ 1,834.00
1-RTNC3/2.2T	2.2t	2 lb	6466	1,832.00
1-RTNC3/4.7T	4.7t	2 lb	467	1,895.00
1-RTNC3/10T	10t	2 lb	468	1,842.00
1-RTNC3/15T	15t	2 lb	469	1,948.00
1-RTNC3/22T	22t	2 lb	470	2,052.00
1-RTNC3/33T	33t	2 lb	471	2,212.00
1-RTNC3/47T	47t	2 lb	472	2,350.00
1-RTNC3/68T	68t	2 lb	473	2,405.00

RTN0.05 HBM

Compression load cell

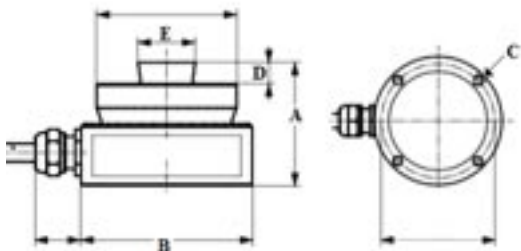
2.85 mv/v, 4450/4010 ohms, **stainless steel**, IP67

4 wire cable. 1T to 15T 5m, 22T 12m, 33T 15, 47T to 68T 12m.

Part Number	Capacity	Weight	Stock	List
1-RTN0.05/1T	1t	2 lb	771	\$ 1,712.00
1-RTN0.05/2.2T	2.2t	2 lb	772	1,747.00
1-RTN0.05/4.7T	4.7t	2 lb	773	1,775.00
1-RTN0.05/10T	10t	2 lb	774	1,804.00
1-RTN0.05/15T	15t	2 lb	775	1,844.00
1-RTN0.05/22T	22t	2 lb	776	1,913.00
1-RTN0.05/33T	33t	2 lb	777	2,038.00
1-RTN0.05/47T	47t	2 lb	778	2,176.00
1-RTN0.05/68T	68t	2 lb	779	2,234.00
1-RTN0.05/100T	100t	15 lb	498	3,443.00
1-RTN0.05/150T	150t	17 lb	499	5,212.00
1-RTN0.05/220T	220t	22 lb	500	8,537.00



RTN



Dimensions in mm

Capacity	A	B	C	D	E
2.2t-4.7t	43	60	4 x M5	7.5	20
10t-22t	50	75	4 x M5	6.5	30
33t	65	95	4 x M5	10	40
47t	75	130	4 x M5	14	60
68t	85	130	4 x M5	14	60
100t	90	150	4 x M5	16	70
150t	100	150	4 x M5	16	70
220t	130	225	4 x M5	24	100



Prices are subject to change without notice. Please call for current prices.

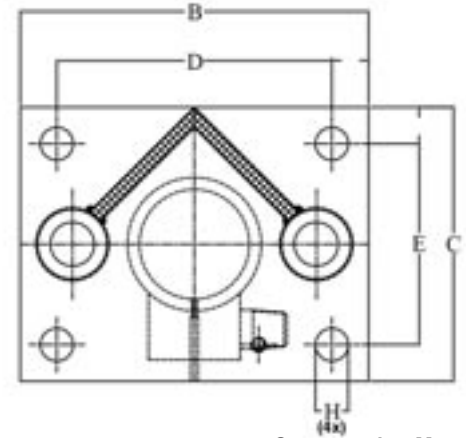
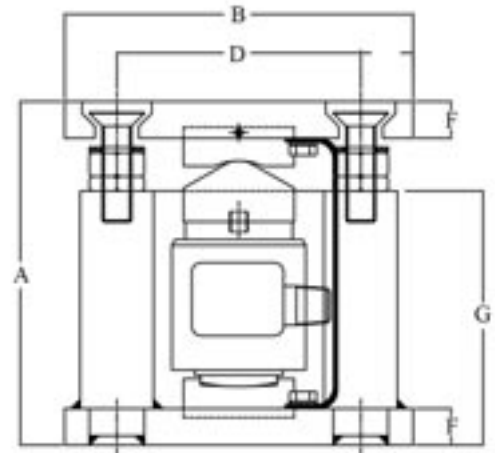
Other items are available from the manufacturers, please call for quote.

Compression Mount Vishay

For use with RTI style CP/CSP canister load cells. Built in check rods simplify the installation and mounting. Carbon steel construction, zinc plated with chromate overcoat.

Part Number	Capacity	Weight	Stock	List
499050-00	10 to 25 ton	70 lb	1795	\$ 916.47
499051-02 *	40 to 60 ton	130 lb	1796	1,717.98

* Call for delivery. May be in stock to 3 weeks.



Compression Mount

Capacity	A	B	C	D	E	F	G	H DIA
10 to 25 ton	7.40"	7.48"	5.90"	5.23"	4.33"	0.78"	5.47	0.70
40 to 60 ton	10.74"	9.84"	7.87"	7.16"	5.90"	1.18"	8.22	0.86

C2 HBM

Compression load cell, rust resistant, low overall height.
2 mv/v, 340/200-400 ohms 6 wire cable, **stainless steel**, IP67

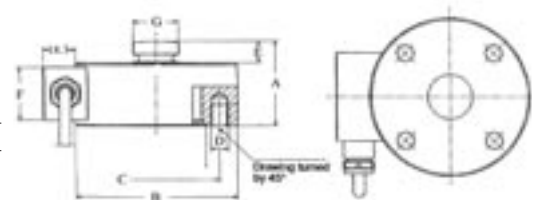
Part Number	Capacity	Weight	Stock	List
1-C2/500KG	500 kg	3 lb	7716	\$ 1,610.00
1-C2/1T	1,000 kg	3 lb	7717	1,610.00
1-C2/2T	2,000 kg	5.03 lb	7033	2,523.00
1-C2/5T	5,000 kg	6 lb	7363	2,101.00
1-C2/10T	10,000 kg	11 lb	7391	3,010.00
1-C2/20T	20,000 kg	9.87 lb	7460	3,010.00
1-C2/50T	50,000 kg	23 lb	7730	3,182.00



C2/1t

Dimensions in MM

Capacity	A	B	C	D	E	F	G
0.05-1	30	50	42	4 x M5	7	20	13
2 and 5	48	90	70	4 x M10	12.5	30	25
10 and 20	60	115	90	4 x M12	12.5	30	32
50	90	155	125	4 x M16	12.5	30	44



Prices are subject to change without notice. Please call for current prices.

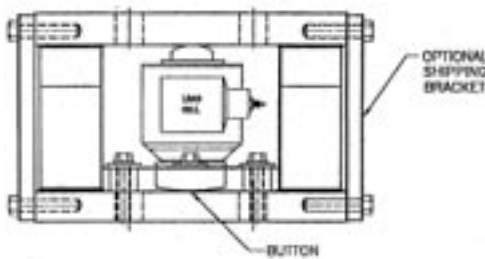
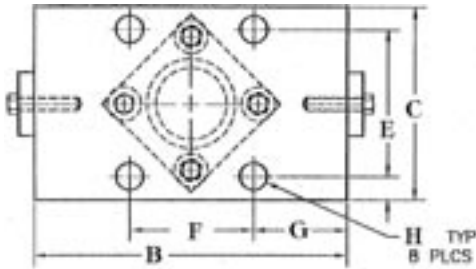
Other items are available from the manufacturers, please call for quote.

Canister compression

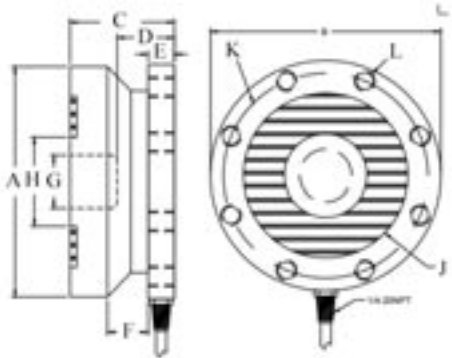
Canister



WM-VI



CG-JRT



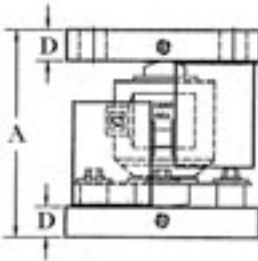
Compression Mount Artech

For use with CP, CSP, 90210 and 90310 canister. Self checking. Mild steel, zinc plated. IP67.

Part Number	Capacity	Weight	Stock	List
WM-VI-A	10K-50K	80 lb	7361	\$ 1,860.00
WM-VI-B	100K	140 lb	7362	2,588.00
WM-VI-C	200K	235 lb	7364	5,007.00
WM-VI-D	300K	270 lb	7365	5,316.00
WM-VI-E	500K	350 lb	7709	7,532.00

Dimensions In Inches

Capacity	A	B	C	D	E	F	G	H DIA
10K-50K	6.15	10.00	6.00	1.00	4.50	4.00	3.00	0.69
100K	9.00	11.00	8.00	1.50	6.00	4.00	3.50	0.82
200K	12.20	13.00	10.00	2.00	8.00	4.00	4.50	1.12
300K	12.20	14.00	10.00	2.00	8.00	4.00	5.00	1.12



CG-JRT Coti

2 mv/v, 750/700 ohm, 50 ft 4 wire cable, alloy steel, IP67

Part Number	Capacity	Weight	Stock	List
CG-JRT-20k	20,000 lb	9 lb	1242	\$ 1,039.50
CG-JRT-50k	50,000 lb	14 lb	1242	1,039.50
CG-JRT-75K	75,000 lb	14 lb	1244	1,270.50
CG-JRT-100k	100,000 lb	14 lb	1245	1,270.50
CG-JRT-150k	150,000 lb	18 lb	1246	3,959.34
CG-JRT-200k	200,000 lb	18 lb	1246	3,959.34

Capacity	A	B	C	D	E	F	G	H	J	K
20K	4.42	4.5	2.0	1.25	0.50	0.75	1.00	1.69	3.27	3.93
50K-75k	5.42	5.5	2.5	1.50	0.50	1.00	1.50	2.19	3.90	4.76
100K	5.42	5.5	2.63	1.50	0.50	1.00	1.50	2.19	3.90	4.76
150K-200K	5.92	6.0	3.4	1.90	0.50	1.40	2.00	2.64	4.33	5.30

Prices are subject to change without notice. Please call for current prices.

Other items are available from the manufacturers, please call for quote.

Diaphragm Kit Emery

Replacement Diaphragm and "O" ring kit for Emery Winslow hydraulic load cell.

Part Number	Weight	Stock	List
B-24746-13DK	1 lb	283	\$ 416.00
A-23907-33DK	1 lb	3457	383.00
A-14662 136-75-CH load cell boot	0.65 lb	3428	143.00
B-29606 136-41.28 loading cylinder	3.46 lb	3429	169.00
OR-35G RED load cell fluid-gallon	8 lb	3455	172.00



Diaphragm Kit

Totalizer Emery

The standard totalizer enclosure supplied is a Nema 4x FRP (fiberglass reinforced plastic) enclosure. Other materials such as painted carbon steel or stainless steel are available. Besides housing the totalizer, this enclosure also serves as the field interface box for the signal cables. A terminal strip is provided for that purpose. Dimensions are 17.43"H x 16.75"W x 12"D

Part Number	Weight	Stock	List
181-4EM-1K Summary Totalizer w/closure	28 lb	198	\$ 4,286.00



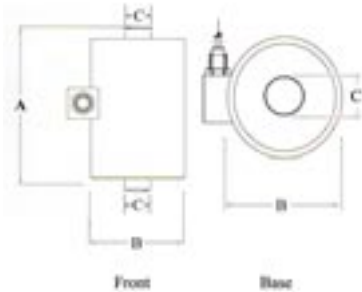
181-4EM

Canister compression

Canister



TSCA-50K-SS



TSCA Totalcomp

Interchangeable with Cardinal Model SCA load cell. 4" dia, 7.25" tall, 1.75" dia buttons on both ends.

2 mv/v, 1050/1050 ohm, 30 ft 4 wire cable, stainless steel. IP67.

Part Number	Capacity	Weight	Stock	List
TSCA-50K-SS	50,000 lb	15 lb	482	\$ 1,009.47

Cap for Load button

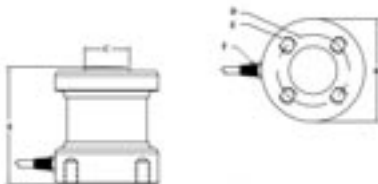
2.5" dia cap with "O" ring, for 1.75" dia button on TSCA	1 lb	737	50.00
--	------	-----	-------

Dimensions in inches

Capacity	A	B	C
50K	7.25	4.50	2.30



CG-94



CG-94 Coti Global

2 mv/v, 385/350 ohms, 50 ft 4 wire braided shield cable, alloy steel or **stainless steel**, IP67

Part Number	Capacity	Weight	Stock	List
Alloy Steel				
CG-94-50K	50,000 lb	40 lb	1437	\$ 970.20
CG-94-100K	100,000 lb	40 lb	1438	981.75
CG-94-200K	200,000 lb	60 lb	1439	1,443.75
CG-94-300K	300,000 lb	60 lb	1440	1,443.75

Stainless Steel

CG-94-50K-SS	50,000 lb	40 lb	1441	1,443.75
CG-94-100K-SS	100,000 lb	40 lb	1442	1,155.00
CG-94-200K-SS	200,000 lb	60 lb	1443	1,617.00
CG-94-300K-SS	300,000 lb	60 lb	1444	1,617.00

Dimensions in inches

Capacity	A	B	C	D	E
50K	3.25	2.88	1.25	2.00	3/8-24 x 0.40
100K	5.00	3.94	2.31	3.00	1/2-20 x 0.88
200K	6.62	5.94	3.00	5.00	3/4-16 x 0.88
300K	7.00	5.94	3.00	5.00	3/4-16 x 0.88

CG26S Coti Global

Interchangeable with Cardinal model SCA. Stainless steel compression cell 4" dia, 7.25" tall, 1.75" dia, button on both ends.
2 mV/v, 1150/1050 ohms, 50 ft 4 wire cable, **stainless steel**, IP67.
NTEP Legal for Trade 04-081

Part Number	Capacity	Weight	Stock	List
CG26S-50K	50,000 lb	15 lb	6440	\$ 1,143.45



CG26S-50

Dimensions in inches

Capacity	A	B	C
50K	7.25	4.50	2.30



Front



Base

CG26S3 Coti Global

Interchangeable with Totalcomp model TC-C2P1 and BLH C2P1. **Stainless steel** compression cell.
2 mV/V, 385 ohm input, 350 ohm output, 50 ft 4 wire cable, **stainless steel**, IP67.

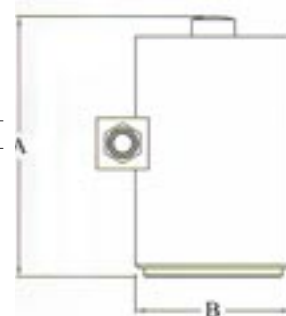
Part Number	Capacity	Dia	Ht	Weight	Stock	List
CG26S3-20K	20,000 lb	4.5"	7.5"	23 lb	2053	\$ 1,617.00
CG26S3-50K	50,000 lb	4.5"	7.5"	24 lb	2326	1,617.00
CG26S3-100K	100,000 lb	6.0"	9.3"	44 lb	2057	1,848.50
CG26S3-200K	200,000 lb	8.0"	11.6"	99 lb	2058	2,656.50



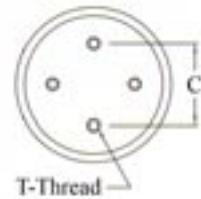
CG26S3-50K

Dimensions in inches

Capacity	A	B	C	T
20K-50K	7.500	4.50	2.38	3/8-24 UNF
100K	9.125	6.00	4.00	1/2-20 UNF
200K	11.625	8.00	5.50	5/8-18 UNF



Front



Base

Prices are subject to change without notice. Please call for current prices.

Other items are available from the manufacturers, please call for quote.

Canister compression

Canister



RC1

RC1 Flintec

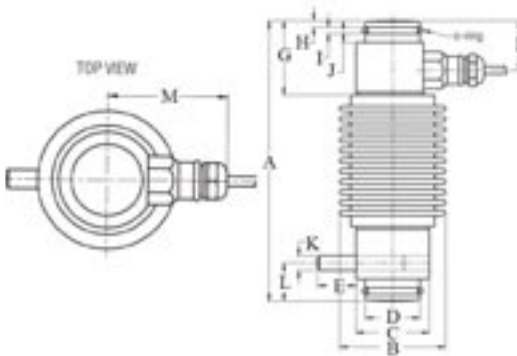
Interchangeable with Totalcomp TRC1. Stainless steel, rocker column, compression cell, sealed to IP68.

2 mv/v, 400 ohm input, 351 ohm output, 4 wire cable, 12m for RC1-250kN, 16m for RC1-400kN, 18m for RC1-600 and 900kN, stainless steel, IP68(up to 2m water depth)/ IP69K.

Part Number	Capacity	Weight	Stock	List
RC1-250kN	56,000 lb	4 lb	4307	\$ 826.00
RC1-400kN	90,000 lb	7 lb	4308	1,063.00
RC1-600kN	135,000 lb	8 lb	4309	1,720.00
RC1-900kN	200,000 lb	8 lb	4310	2,095.00

Dimensions in inches

Capacity	A	B	C	D	E	F	G	H
250kN	7.55	2.83	1.97	1.46	1.30	1.34	2.00	0.18
400kN	8.85	3.35	2.51	1.46	1.02	1.42	2.24	0.18
600kN	8.85	3.35	2.51	2.18	1.02	1.42	2.24	0.18
900kN	8.85	3.35	2.51	2.18	1.02	1.42	2.24	0.18



Dimensions in inches

Capacity	I	J	K	L	M
250kN	0.18	0.59	0.39	1.02	2.44
400kN	0.18	0.63	0.39	1.02	2.72
600kN	0.18	0.63	0.39	1.02	2.72
900kN	0.18	0.63	0.39	1.02	2.72



TRC1

TRC1 Totalcomp

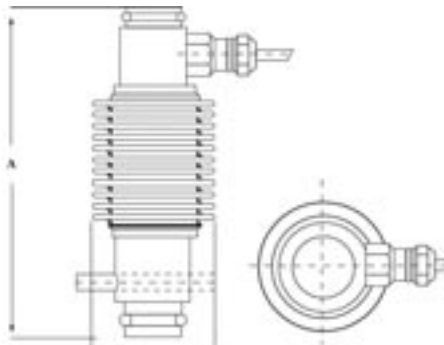
Interchangeable with Flintec RC1 used in Fairbanks truck scales. Alloy steel, rocker column, compression cell, sealed to IP67.

2 mv/v, 385 ohm input, 350 ohm output, 50 ft 4 wire cable, nickel plated steel, IP67.

Part Number	Capacity	Weight	Stock	List
TRC1-56K (250kN)	56,000 lb	6 lb	2078	\$ 877.00
TRC1-90K (400kN)	90,000 lb	15 lb	2079	1,508.00

Dimensions in inches

Capacity	A	B
56K	7.50	2.83
90K	8.86	3.35



Prices are subject to change without notice. Please call for current prices.

Other items are available from the manufacturers, please call for quote.

BM14G Zemic

Hermetically sealed rocker pin.

2 mv/v, 700 ohm input, 703 ohm output, 15m 4 wire cable, **stainless steel**, IP68

NTEP Legal for Trade 10-087

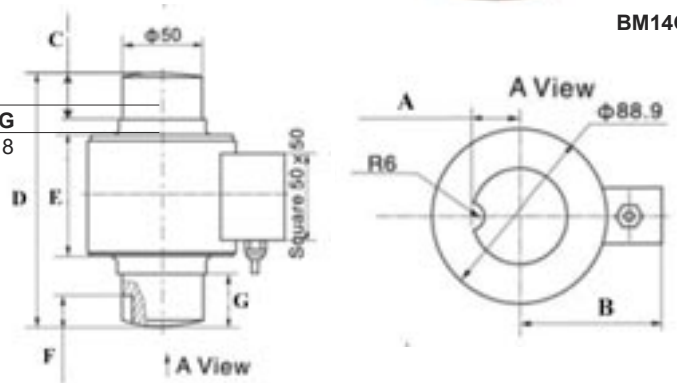
Part Number	Capacity	Weight	Stock	List
BM14G-C3-10t-15B-SC	10 t	10 lb	2106	\$ 582.00
BM14G-C3-20t-15B-SC	20 t	10 lb	2107	582.00
BM14G-C3-30t-15B-SC	30 t	10 lb	2108	582.00
BM14G-C3-40t-15B-SC	40 t	10 lb	2109	582.00
BM14G-C3-50t-15B-SC	50 t	10 lb	2110	582.00



BM14G

Dimensions in inches

Capacity	A	B	C	D	E	F	G
10t-50t	0.98	3.42	1.18	5.90	2.75	0.47	1.18



CG-26S7 Coti

Hermetically sealed rocker column. Interchangeable with Toledo 0782.

2 mv/v, 1,160 ohm input, 1,000 ohm output, 50 ft 4 wire cable, **stainless steel**, IP67

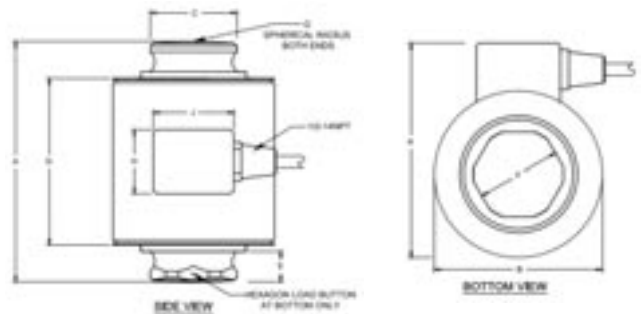
NTEP Legal for Trade

Part Number	Capacity	Weight	Stock	List
CG-26S7-20t	20 t	9.99 lb	1725	\$ 924.00
CG-26S7-30t	30 t	9.99 lb	1726	924.00
CG-26S7-30t-797	30 t	9.99 lb	1727	981.75
CG-26S7-50t	50 t	9.99 lb	1728	924.00
CG-26S7-50t-797	50 t	9.99 lb	1729	931.75
CG-26S7-100t	100 t	9.99 lb	1730	1,386.00



CG26S7

RATED CAPACITY	DIMENSIONS										
	A	B	C	D	E	F	G	H	J	K	L
20t-30t	5.91	2.99	1.49	4.10	0.75	1.40	6.30	1.57	1.97	1.12	3.75
30t-797	7.97	2.99	1.49	6.17	0.75	1.40	12.00	1.57	1.97	4.12	3.75
50t	5.91	2.99	1.49	4.10	0.75	1.40	12.00	1.57	1.97	4.12	3.75
50t-797	7.97	2.99	1.49	6.17	0.75	1.40	12.00	1.57	1.97	4.12	3.75
100t	5.91	4.02	2.12	4.10	0.75	1.99	12.00	1.57	1.97	5.10	3.54

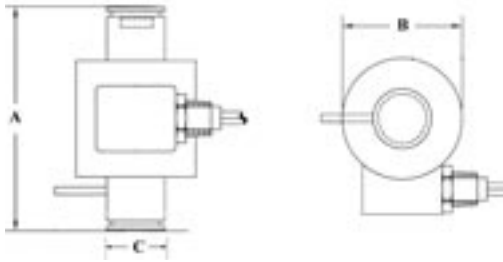


Prices are subject to change without notice. Please call for current prices.

Other items are available from the manufacturers, please call for quote.



CG26S2



CG-26S2 Coti Global

Interchangeable with Flintec RC1-250 kN. Stainless steel, rocker column, compression cell.
2 mv/v, 350 ohm input, 350 ohm output, 50 ft 4 wire cable, **stainless steel**, IP67
NTEP Legal for Trade 04-081

Part Number	Capacity	Weight	Stock	List
CG262-56K (250kN)	56,000 lb	15 lb	6512	\$ 918.23

Dimensions in inches

Capacity	A	B	C
56K	7.65	3.00	1.46



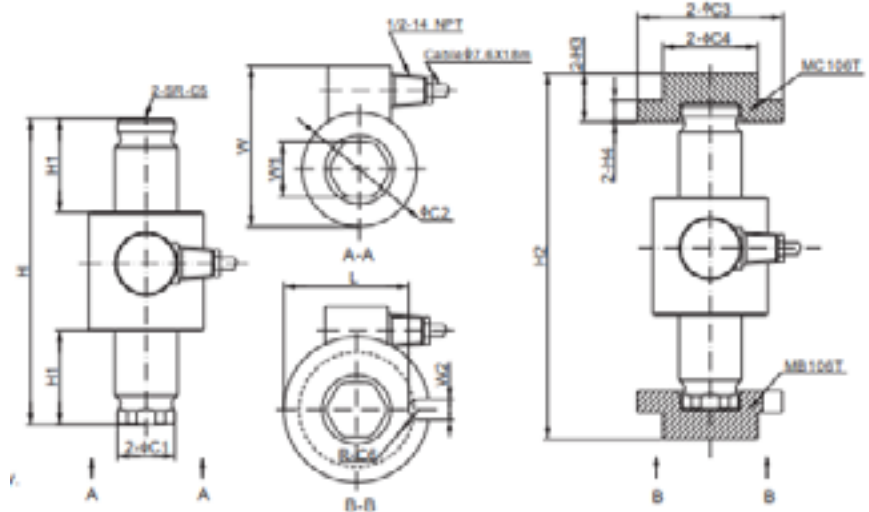
CG26S2



106TS Anyload

Interchangeable with Mettler Toledo Power Cell 760/MTX. Stainless steel, rocker column, compression cell.
2 mv/v, 1150 ohm input, 1000 ohm output, 18m 4 wire cable, **stainless steel**, IP68
NTEP Legal for Trade 1:10,000 IIII

Part Number	Capacity	Weight	Stock	List
106TS-100Klb-YZ	100,000 lb	8.93 lb	6552	\$ 914.00



RATED CAPACITY	C1	C2	C3	C4	C5	C6	H	H1	H2	H3	H4	L	W	W1	W2
Kilobinches															
50-100	1.48	2.95	3.74	2.44	11.02	0.27	7.88	2.43	9.41	1.25	0.56	3.21	4.13	1.41	0.53
l/mm															
SE30	37.7	75.0	95.0	62.0	160.0	6.75	150.0	37.0	189.0	31.8	14.3	81.5	105.0	35.7	13.5
30	37.7	75.0	95.0	62.0	280.0	6.75	200.0	61.7	239.0	31.8	14.3	81.5	109.0	35.7	13.5

GF-11 General Sensor

Low profile. Easy to install and use. Innovative design patented cross bridge load cell. Strong for direction side force resistance and overload protection. For electronic truck scale, railroad scale and large capacity hopper scales. Hercules truck scale replacement load cell.

2 mv/v, 350/350 ohms, 50 ft 4 wire cable, alloy steel, IP67
NTEP Legal for Trade 12-046

Part Number	Capacity	Weight	Stock	List
GF-11-50K	50,000 lb	36 lb	7533	\$ 942.00
GF-11-60K	60,000 lb	36 lb	7534	942.00
GF-11-75K	75,000 lb	36 lb	7535	942.00

Capacity	A	B	C	D	E	F	G	H
50K	6.80	6.22	4.88	6.22	4.88	0.79	3.03	1.38
60K	6.80	6.22	4.88	6.22	4.88	0.79	3.03	1.38
75K	6.80	6.22	4.88	6.22	4.88	0.79	3.03	1.38

Dimensions in inches

Capacity	I	J	K	L	M	N
50K	0.86 dia	1.18 dia	2.75 dia	2.00 dia	0.43	3.54 dia
60K	0.86 dia	1.18 dia	2.75 dia	2.00 dia	0.43	3.54 dia
75K	0.86 dia	1.18 dia	2.75 dia	2.00 dia	0.43	3.54 dia

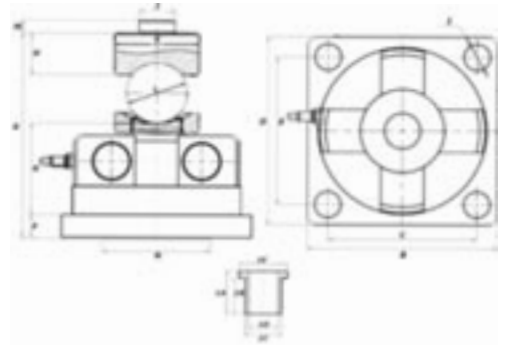
(4 sleeve inserts)

Dimensions in inches

Capacity	1A	1B	1C	1D	1E
50K	0.98	0.82	0.82	0.67	1.10
60K	0.98	0.82	0.82	0.67	1.10
75K	0.98	0.82	0.82	0.67	1.10



GF-11



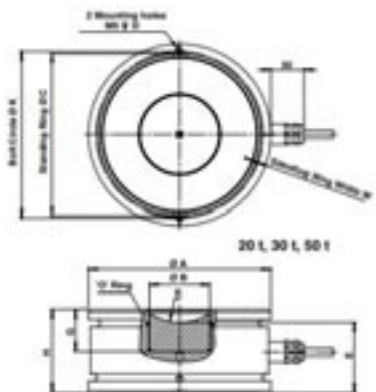
220 Tedeá

1.5 mv/v, 1,065 ohm input, 1,025 ohm output,
5m 6 wire cable on 5t
10m 6 wire cable on 10t & 20t
20m 6 wire cable on 30t & 50t
IP68 stainless steel hermetically sealed
NTEP Legal for Trade 10,000g
Factory Mutual approved for intrinsic safety

Part Number	Capacity	Weight	Stock	List
220-5t	5,000 kg	5 lb	1940	\$ 1,045.00
220-10t	10,000 kg	5 lb	1941	1,045.00
220-20t	20,000 kg	8 lb	1942	1,195.48
220-30t	30,000 kg	8 lb	1943	1,277.00
220-50t	50,000 kg	12 lb	1944	1,958.33



220



Prices are subject to change without notice. Please call for current prices.

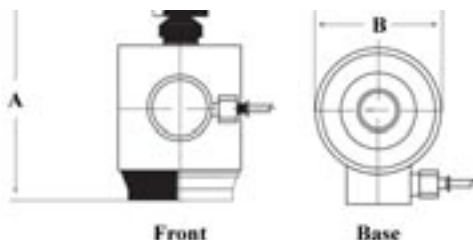
Other items are available from the manufacturers, please call for quote.

Canister compression

Canister



120



120 Tedeo

Stainless steel housing, includes zinc plated steel rocker mounting components, high capacity compression cell
1.5 mv/v, 670/605 ohms, 15m 6 wire cable, IP67

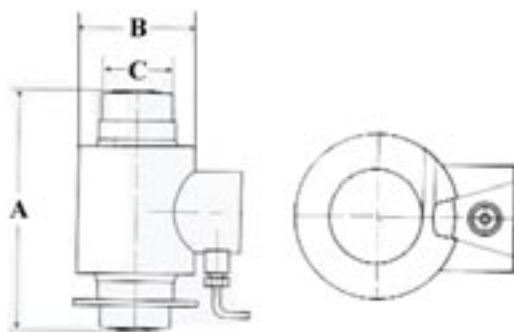
Part Number	Capacity	Weight	Stock	List
120-5t	5,000 kg	15 lb	6032	\$ 581.02
120-10t	10,000 kg	15 lb	6033	581.02
120-20t	20,000 kg	15 lb	6034	701.20
120-30t	30,000 kg	15 lb	6035	701.20
120-50t	50,000 kg	15 lb	6036	701.20

Dimensions in inches

Capacity	A	B
5-30t	6.66	3.46
50t	6.71	3.46



DC16



DC16 Diamond

Interchangeable with HBM C16. Stainless steel, rocker column, compression cell, sealed to IP68 washdown cleaning.
2 mv/v, 700/700 ohms, 12m 6 wire cable, **stainless steel**, IP68.

Part Number	Capacity	Weight	Stock	List
DC16-10t	10,000 kg	6 lb	7246	\$ 567.00
DC16-15t	15,000 kg	6 lb	7247	567.00
DC16-20t	20,000 kg	6 lb	7248	596.00
DC16-30t	30,000 kg	6 lb	7249	596.00
DC16-40t	40,000 kg	6 lb	7250	596.00
DC16-50t	50,000 kg	8 lb	7251	622.00
DC16-60t	60,000 kg	8 lb	7252	622.00
DC16-100t	100,000 kg	30 lb	7253	884.00

Dimensions in inches

Capacity	A	B	C
0-15t	5.12	3.00	1.73
20t	8.27	3.00	1.73
30t-40t	5.91	3.00	1.73
50t-60t	8.27	3.00	1.73
100t	10.24	3.74	2.52

65114 Sensortronics

Stainless steel, rocker column, compression cell for use in Thurman and Fairbanks truck scales
 2 mv/v, 1000/1000 ohms, 30 ft 4 wire cable, **stainless steel**, IP67
 NTEP Legal for Trade 97-081

Part Number	Height	Capacity	Weight	Stock	List
65114S-50K-1000	6.00"	50,000 lb	5 lb	2281	\$ 969.76

Hermetic glass to metal seal

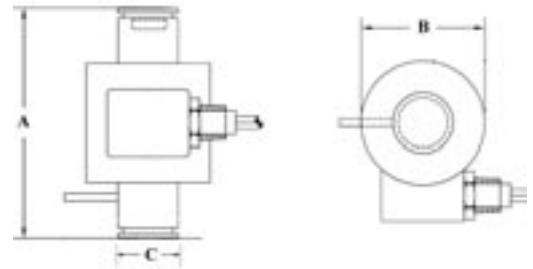
65114S-50K-1000H	6.00"	50,000 lb	5 lb	2585	990.66
65114S-50K-1500H	7.56"	50,000 lb	6 lb	2586	1,304.16

Dimensions in inches

Capacity	A	B	C
50K	6.00	3.00	1.46
100K	8.86	3.00	1.46



65114S



ASC Revere

Stainless steel, rocker column, compression cell.
 2mV/V, 700/700 ohms, 49 ft 4 wire cable, **stainless steel**, hermetically sealed, IP69K
 NTEP Legal for Trade 05-092
 OIML R60 C6.

Part Number	Capacity	Nominal	Weight	Stock	List
ASC-030t-C3-01X	30t	60,000 lb	10 lb	6663	\$ 704.33
ASC-040t-C3-01X	40t	80,000 lb	10 lb	6667	704.33
ASC-050t-C3-01X	50t	100,000 lb	10 lb	6668	704.33
ASC-060t-B1-00X	60t	120,000 lb	10 lb	6666	704.33

Service parts

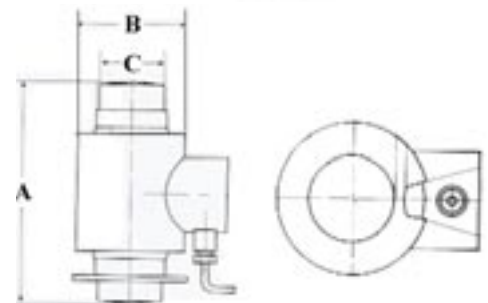
799863-00 mount self align			5 lb	6669	108.00
----------------------------	--	--	------	------	--------

Dimensions in inches

Capacity	A	B	C
30t-50t	5.90	3.50	2.12



ASC



Prices are subject to change without notice. Please call for current prices.

Other items are available from the manufacturers, please call for quote.

Canister tension

Canister

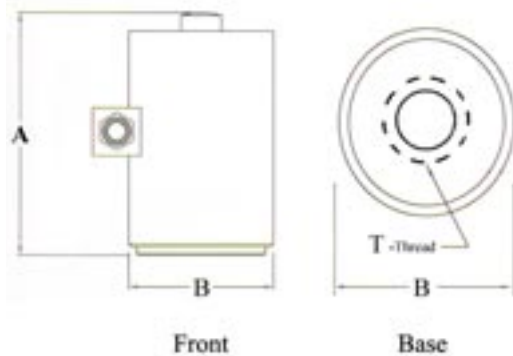


USP1

USP1 Revere, Universal Super Precision

Both tension and compression loads.
3 mv/v, 350/350 ohm, 30 ft 4 wire cable, painted steel. IP67.

Part Number	Capacity	Weight	Stock	List
USP1-D3-1K-30P5	1,000 lb	6 lb	36	\$ 3,817.00



Dimensions in inches

Capacity	A	B	C
100	3.32	2.00	3/8-24 UNF
250	4.45	2.50	3/8-24 UNF
500-1K	4.45	2.87	1/2-20 UNF
2.5K	3.00	2.87	1/2-20 UNF
5K-10K	5.75	3.50	1-14 UNS
25K	8.38	4.00	1 1/2-12 UNF
50K	11.44	6.00	2-12 UNF
100K	17.75	9.00	3-8 UNF



TUSP1

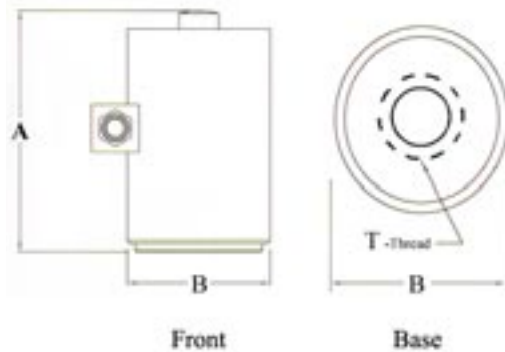
TUSP1 Totalcomp

Interchangeable with Revere Model USP.
3 mv/v, 350/350 ohm, 30 ft 4 wire cable, **stainless steel**. IP67.

Part Number	Capacity	Weight	Stock	List
TUSP1-250-SS	250 lb	6 lb	387	\$ 1,397.00
TUSP1-500-SS	500 lb	5 lb	1872	1,397.00
TUSP1-1K-SS	1,000 lb	6 lb	1873	1,397.00
TUSP1-1K-50-SS **	1,000 lb	7 lb	265	1,443.75
TUSP1-2.5K-SS	2,500 lb	5 lb	1874	1,397.55
TUSP1-2.5K-HT-SS *	2,500 lb	5 lb	492	3,142.00
TUSP1-5K-SS	5,000 lb	9 lb	1875	1,715.18
TUSP1-10K-SS	10,000 lb	10 lb	1876	1,715.18
TUSP1-25K-SS	25,000 lb	21 lb	1877	2,195.15
TUSP1-50K-SS	50,000 lb	44 lb	1878	2,922.15
TUSP1-100K-SS	100,000 lb	106 lb	1556	6,987.75

* High Temperature 400 deg F w/50 ft cable

** 50 ft cable



Dimensions in inches

Capacity	A	B	C
100	3.32	2.00	3/8-24 UNF
250	4.45	2.50	3/8-24 UNF
500-1K	4.45	2.50	1/2-20 UNF
2.5K	3.00	2.25	1/2-20 UNF
5K-10K	5.75	3.00	1-14 UNS
25K	8.38	4.00	1 1/2-12 UNF
50K	11.44	6.25	2-12 UNF
100K	17.75	9.00	3-8 UNF

Prices are subject to change without notice. Please call for current prices.

Other items are available from the manufacturers, please call for quote.

T3P1 BLH

3 mv/v, 350/350 ohm, 35 ft 4 wire cable, painted steel, IP67.

Part Number	Mfg.	Capacity	Weight	Stock	List
T3P1-500	464912	500 lb	6 lb	51	\$ 2,646.00
T3P1-1K	464913	1,000 lb	6 lb	52	2,646.00
T3P1-2K	464914	2,000 lb	6 lb	53	2,646.00
T3P1-3K	464915	3,000 lb	6 lb	54	2,646.00
T3P1-5K	464922	5,000 lb	10 lb	55	2,747.00
T3P1-10K	464923	10,000 lb	10 lb	56	2,747.00

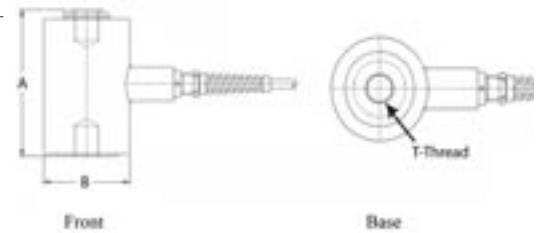


T3P1



Dimensions in inches

Capacity	A	B	T
500-3K	4 9/16	3.50	1/2-20 UNF
5K-10K	5 15/16	3.50	1-14 UNS



T2P1 BLH

2 mv/v, 350/350 ohm, 35 ft 4 wire cable, painted steel. IP67.

Part Number	Mfg.	Capacity	Weight	Stock	List
T2P1-20K	464781	20,000 lb	30 lb	368	\$ 3,964.00
T2P1-50K	464782	50,000 lb	60 lb	369	4,002.00
T2P1-100K	464783	100,000 lb	100 lb	370	16,898.00

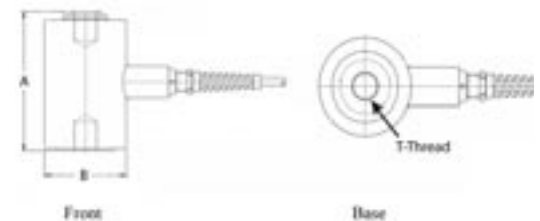


T2P1



Dimensions in inches

Capacity	A	B	T
20K	8.50	5.00	1 1/2-12 UNF
50K	11.43	6.50	2-12 UNF
100K	17.75	9.00	3-8 UNF



Prices are subject to change without notice. Please call for current prices.

Other items are available from the manufacturers, please call for quote.



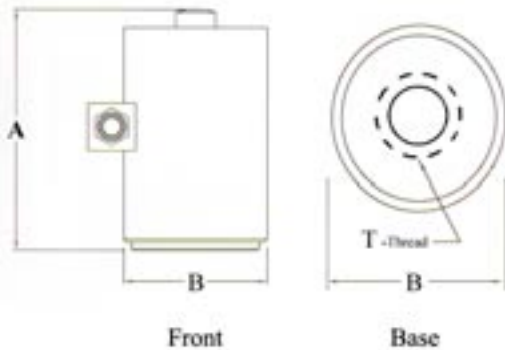
TC3P1

TC3P1 Totalcomp

Interchangeable with BLH Model T3P1.

3 mv/v, 350/350 ohm, 30 ft 4 wire cable, **stainless steel**. IP67.

Part Number	Capacity	Weight	Stock	List
TC3P1-500-SS	500 lb	10 lb	1879	\$ 1,175.21
TC3P1-1K-SS	1,000 lb	10 lb	1880	1,175.21
TC3P1-2K-SS	2,000 lb	10 lb	1881	1,175.21
TC3P1-3K-SS	3,000 lb	10 lb	1882	1,175.21
TC3P1-5K-SS	5,000 lb	21 lb	1883	1,334.03
TC3P1-10K-SS	10,000 lb	21 lb	1884	1,334.03



Dimensions in inches

Capacity	A	B	T
500-3K	4.56	3.00	1/2-20 UNF
5K-10K	5.94	3.50	1-14 UNF



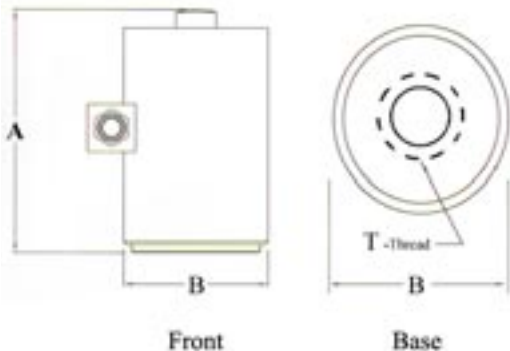
TT2P1

TT2P1 Totalcomp

Interchangeable with BLH Model T2P1.

2 mv/v, 350/350 ohm, 30 ft 4 wire cable, **stainless steel**. IP67

Part Number	Capacity	Weight	Stock	List
TT2P1-20K-SS	20,000 lb	21 lb	1890	\$ 1,588.13
TT2P1-50K-SS	50,000 lb	56 lb	1891	2,032.80



Dimensions in inches

Capacity	A	B	T
20K	8.50	5.00	1 1/2-12 UNF
50K	11.44	6.50	2-12 UNF

T42 Totalcomp

Interchangeable with RTI Model 42.
2 mv/v, 350/350 ohm, 30 ft 4 wire cable, **stainless steel**, IP67.

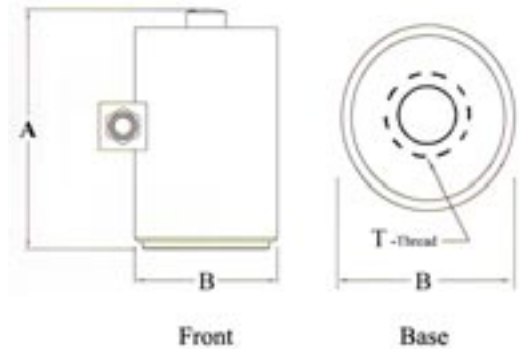
Part Number	Capacity	Weight	Stock	List
T42-5K-SS	5,000 lb	12 lb	3141	\$ 1,334.03
T42-10K-SS	10,000 lb	12 lb	3142	1,334.03
T42-20K-SS	20,000 lb	18 lb	3143	1,588.13
T42-50K-SS	50,000 lb	45 lb	3144	2,032.80
T42-100K-SS	100,000 lb	45 lb	3145	2,032.80
T42-200K-SS	200,000 lb	125 lb	3146	2,731.58
T42-250K-SS	250,000 lb	125 lb	3147	2,731.58



T42

Dimensions in inches

Capacity	A	B	T
5-10K	5.90	3.50	1-14 UNF
20K	8.50	5.00	1-1/2-12 UNF
50K	11.44	6.50	1-1/2-12 UNF
100K	11.44	6.50	2-12 UNF
200K	16.25	8.00	2-1/2-12 UNF



T43 Totalcomp

Interchangeable with RTI Model 43.
3 mv/v, 350/350 ohm, 30 ft 4 wire cable, **stainless steel**, IP67.

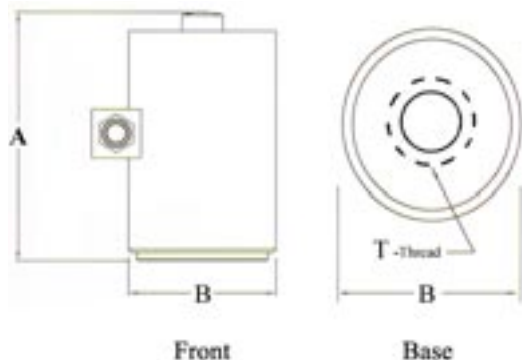
Part Number	Capacity	Weight	Stock	List
T43-5K-SS	5,000 lb	12 lb	3148	\$ 1,334.03
T43-10K-SS	10,000 lb	12 lb	3149	1,334.03
T43-20K-SS	20,000 lb	18 lb	3150	1,588.13
T43-50K-SS	50,000 lb	45 lb	3151	2,032.80
T43-100K-SS	100,000 lb	45 lb	3152	2,032.80
T43-200K-SS	200,000 lb	125 lb	3153	2,731.58
T43-250K-SS	250,000 lb	125 lb	3154	2,731.58



T43

Dimensions in inches

Capacity	A	B	T
5-10K	5.94	3.50	1-14 UNF
20K	8.50	5.00	1-1/2-12 UNF
50K	11.44	6.50	1-1/2-12 UNF
100K	11.44	6.50	2-12 UNF
200K-250K	16.25	8.00	2-1/2-12 UNF



Prices are subject to change without notice. Please call for current prices.

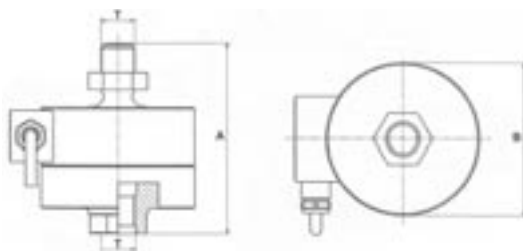
Other items are available from the manufacturers, please call for quote.

Canister tension

Canister



U2A



U2A HBM

Tension loads

2 mv/v, 340-450/356 ohm, 3 m 6 wire cable, **stainless steel**, IP67.

Part Number	Capacity	Weight	Stock	List
1-U2AD1/500KG	500 kg	4 lb	6326	\$ 1,935.00
1-U2AD1/1T	1 t	4 lb	6394	1,877.00
1-U2AD1/2T	2 t	8 lb	6364	2,576.00
1-U2AD1/5T	5 t	12 lb	6395	2,946.00
1-U2A/10T	10 t	27.3 lb	6350	4,738.00
1-U2A/20T	20 t	32.0 lb	6348	6,515.00

Mounting accessories

Knuckle eye ZGOW female

U2A/1T/ZGOW	50kg to 1 t	0.4 lb	4810	136.00
U2A/2T/ZGOW	2 t	1.0 lb	4811	248.00
U2A/5T/ZGOW	5 t	1.6 lb	4812	347.00
U2A/10T/ZGOW	10 t	6.4 lb	4813	2,427.00
U2A/20T/ZGOW	20 t	9.6 lb	4814	4,056.00

Mounting accessories

Knuckle eye ZGUW male Mounting accessories

U2A/1T/ZGUW	50kg to 1 t	0.2 lb	4815	203.00
U2A/2T/ZGUW	2 t	0.4 lb	4816	296.00
U2A/5T/ZGUW	5 t	0.8 lb	4817	402.00
U2A/10T/ZGUW	10 t	2.2 lb	4818	2,427.00
U2A/20T/ZGUW	20 t	6.4 lb	4819	2,730.00

Dimensions in mm

Capacity	A	B	T
1 t	72	50	M12
2 t	112	90	M20 x 1.5
5 t	141	100	M24 x 2
10 t	197	135	M39 x 2
20 t	232	155	M48 x 2



RC3



RC3 Flintec

Hermentually sealed

2mv/v, 1,150/1000 ohms, 12m 4 wire cable for 7.5t to 22.5t, 18m 4 wire cable for 30t to 300t, **stainless steel**, hometre, IP 68/IP69k

NTEP Legal for Trade 07-037

Part Number	Capacity	Weight	Stock	List
RC3-7.5t-C3	7.5t	3 lb	2595	\$ 685.00
RC3-15t-C3	15t	3 lb	2596	685.00
RC3-22.5t-C3	22.5t	4 lb	2597	685.00
RC3-30t-C3	30t	8 lb	2598	875.00
RC3-40t-C3	40t	8 lb	2599	920.00
RC3-50t-C3	50t	11 lb	2600	1,132.00
RC3-100t-C3	100t	28 lb	2601	2,122.00
RC3-150t-C3	150t	37 lb	2602	2,761.00
RC3-300t-C3	300t	70 lb	2603	3,969.00

Prices are subject to change without notice. Please call for current prices.

Other items are available from the manufacturers, please call for quote.

T62 Totalcomp

Interchangeable with RTI Model 62H.
2 mv/v, 350/350 ohm, 30 ft 4 wire cable, **stainless steel**, IP67.

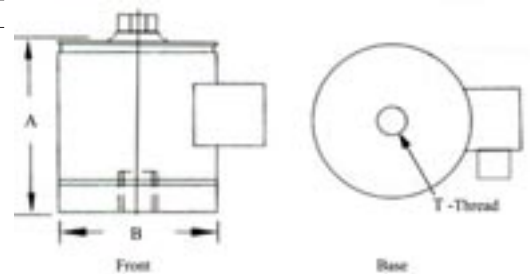
Part Number	Capacity	Weight	Stock	List
T62-200-SS	200 lb	7 lb	3156	\$ 1,079.93
T62-300-SS	300 lb	7 lb	3157	1,079.93
T62-500-SS	500 lb	9 lb	3158	1,175.21
T62-1K-SS	1,000 lb	9 lb	3160	1,175.21
T62-2K-SS	2,000 lb	9 lb	3161	1,334.03
T62-3K-SS	3,000 lb	9 lb	3162	1,334.03



T62

Dimensions in inches

Capacity	A	B	C
200-300	3.38	2.82	3/8-24 UNF
500-1K	4.56	3.53	1/2-20 UNF
2K-3K	5.00	4.03	1/2-20 UNF



T63 Totalcomp

Interchangeable with RTI Model 63H.
3 mv/v, 350/350 ohm, 30 ft 4 wire cable, **stainless steel**, IP76.

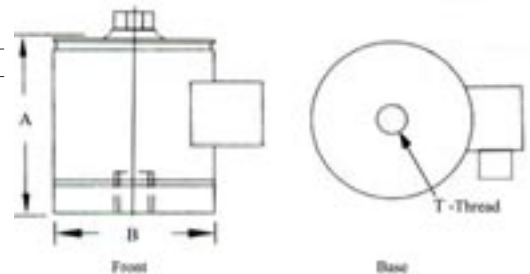
Part Number	Capacity	Weight	Stock	List
T63-200-SS	200 lb	6 lb	3164	\$ 1,079.93
T63-300-SS	300 lb	6 lb	3165	1,079.93
T63-500-SS	500 lb	9 lb	3166	1,175.21
T63-750-SS	750 lb	9 lb	3167	1,175.21
T63-1K-SS	1,000 lb	9 lb	3168	1,175.21
T63-2K-SS	2,000 lb	9 lb	3169	1,334.03
T63-3K-SS	3,000 lb	9 lb	3170	1,334.03



T63

Dimensions in inches

Capacity	A	B	C
200-300	3.38	2.82	3/8-24 UNF
500-1K	4.56	3.53	1/2-20 UNF
2K-3K	5.00	4.03	1/2-20 UNF



Prices are subject to change without notice. Please call for current prices.

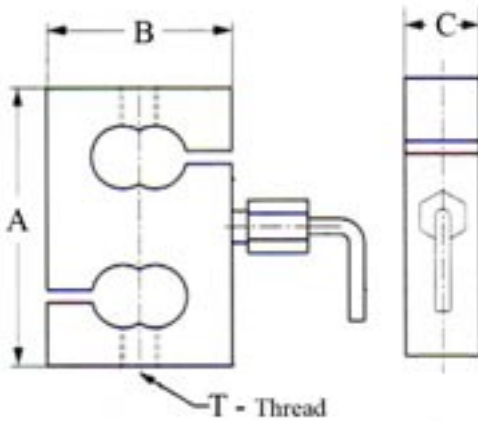
Other items are available from the manufacturers, please call for quote.

S Type

S Type



RSC



Suitable for in-line mounting with tension links, rod ends, eyebolts, cables or other means. Can also be used in compression applications. Environmental protection is either clamped neoprene sleeve or elastic sealant which protects the strain gages from high humidity and moisture.

RSC HBM

Interchangeable with Toledo model 736.

2 mv/v, 385/350 ohm, 25 ft 4 wire cable, **stainless steel**. IP67.

FM Approved.

NTEP Legal for Trade 91-031

Part Number	Capacity	Weight	Stock	List
US-RSC-750-25555	750 lb	3 lb	412	\$ 561.00

Dimensions in inches

Capacity	A	B	C	T
50-200	2.44	2.00	0.60	3/8-24 UNF
300	3.44	2.25	0.95	3/8-24 UNF
500-3K	3.44	2.25	0.95	1/2-20 UNF
5K, 10K	3.94	2.75	1.45	3/4-16 UNF

S Type

S Type

S35 HBM

FM Approved.

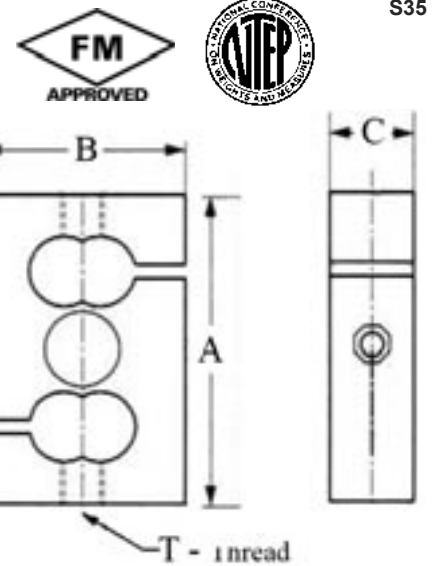
3 mv/v, 350/350 ohm, 20 ft 4 wire cable, **stainless steel**, IP65.

NTEP Legal for Trade 97-142

Part Number	Capacity	Weight	Stock	List
1-S35AN3/100-1	100 lb	3 lb	4327	\$ 289.00
1-S35AN3/200-1	200 lb	3 lb	4328	289.00
1-S35AN3/300-1	300 lb	3 lb	4329	289.00
1-S35AN3/500-1	500 lb	3 lb	4330	289.00
1-S35AN3/750-1	750 lb	3 lb	4331	289.00
1-S35AN3/1K-1	1,000 lb	3 lb	4332	275.00
1-S35AN3/1.5K-1	1,500 lb	3 lb	6478	289.00
1-S35AN3/2K-1	2,000 lb	3 lb	4333	275.00
1-S35AN3/2.5K-1	2,500 lb	3 lb	4334	289.00
1-S35AN3/3K-1	3,000 lb	3 lb	4335	289.00
1-S35AN3/5K-1	5,000 lb	4 lb	4336	289.00

Dimensions in inches

Capacity	A	B	C	T
50-300	2.40	2.00	0.46	1/4-28 UNF
500-1K	2.40	2.00	0.71	1/2-20 UNF
1.5K-2.5K	2.40	2.00	0.96	1/2-20 UNF
3K	3.90	3.00	0.96	1/2-20 UNF
5K-10K	3.90	3.00	0.96	3/4-16 UNF
15K	5.50	4.00	1.50	1-14 UNS
20K	7.00	5.00	2.00	1 1/4-12 UNF



RSCC3 HBM

2 mv/v, 350/350 ohm, 7.6m 6 wire cable, **stainless steel**, IP68

OIML Legal for Trade

Part Number	Capacity	Weight	Stock	List
1-RSCC3/50kg-1	50 kg	1.54 lb	918	\$ 1,154.00
1-RSCC3/100kg-1	100 kg	1.54 lb	919	1,154.00
1-RSCC3/200kg-1	200 kg	2.20 lb	920	1,154.00
1-RSCC3/500kg-1	500 kg	3.00 lb	921	1,154.00
1-RSCC3/1t-1	1 t	3.00 lb	922	1,154.00
1-RSCC3/2t-1	2 t	4.00 lb	923	1,245.00
1-RSCC3/5t-1	5 t	5.00 lb	924	1,280.00

Dimensions on previous page



RSCC

Prices are subject to change without notice. Please call for current prices.

Other items are available from the manufacturers, please call for quote.

S Type

S Type



TS

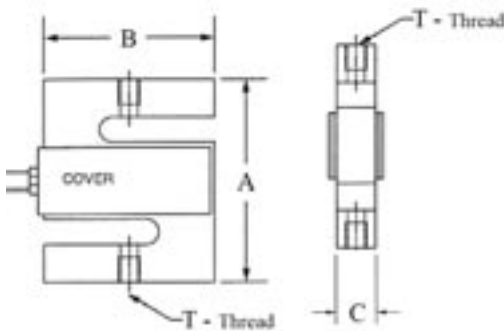


TS Totalcomp

Bi-directional for both tension & compression loads.
3 mv/v, 380/350 ohm, 20 ft 4 wire cable, nickel plated steel, IP67.
NTEP Legal for Trade 93-028

	Stock	Weight	Capacity	Part Number List	
TS-25		25 lb	3 lb	2181	\$ 297.83
TS-50		50 lb	3 lb	2182	297.83
TS-75		75 lb	3 lb	2183	297.83
TS-100		100 lb	3 lb	2184	297.83
TS-150		150 lb	3 lb	2185	297.83
TS-200		200 lb	3 lb	2186	297.83
TS-250		250 lb	3 lb	2187	297.83
TS-300		300 lb	3 lb	2188	297.83
TS-500		500 lb	3 lb	2189	297.83
TS-750		750 lb	3 lb	2190	297.83
TS-1K		1,000 lb	3 lb	2191	297.83
TS-1.5K		1,500 lb	3 lb	2192	297.83
TS-2K		2,000 lb	3 lb	2193	297.83
TS-2.5K		2,500 lb	3 lb	2194	297.83
TS-3K		3,000 lb	5 lb	2195	360.53
TS-5K		5,000 lb	5 lb	2196	485.93
TS-10K		10,000 lb	6 lb	2197	485.93
TS-15K		15,000 lb	8 lb	2198	924.83
TS-20K		20,000 lb	17 lb	2199	1,165.18
TS-30K		30,000 lb	35 lb	2426	1,998.21
TS-40K		40,000 lb	36 lb	2427	2,532.22

Dimensions in inches



Capacity	A	B	C	T
25, 200	2.50	2.00	0.75	1/4-28 UNF
250-300	2.50	2.00	0.75	1/4-28 UNF
500-2.5K	2.50	2.00	1.00	1/2-20 UNF
3K	4.00	3.00	1.00	1/2-20 UNF
5K, 10K	4.00	3.00	1.25	3/4-16 UNF
15K	5.50	4.00	1.50	1-14 UNF
20K	7.00	4.50	2.00	1 1/4-12 UNF
30K, 40K	10.00	5.75	2.75	1 1/2-12 UNF

Prices are subject to change without notice. Please call for current prices.

Other items are available from the manufacturers, please call for quote.

S Type

TS-SS Totalcomp

Bi-directional for both tension & compression loads.
 3 mv/v, 380/350 ohm, 20 ft 4 wire cable, **stainless steel**, IP67.
 NTEP Legal for Trade 93-015

Part Number	Capacity	Weight	Stock	List
TS-25-SS *	25 lb	2 lb	2162	\$ 339.63
TS-50-SS *	50 lb	2 lb	2163	339.63
TS-100-SS	100 lb	2 lb	2165	339.63
TS-200-SS	200 lb	2 lb	2167	339.63
TS-250-SS *	250 lb	2 lb	2168	339.63
TS-300-SS	300 lb	2 lb	2169	339.63
TS-500-SS	500 lb	2 lb	2170	339.63
TS-750-SS	750 lb	2 lb	2171	339.63
TS-1K-SS	1,000 lb	2 lb	2172	339.63
TS-1.5K-SS	1,500 lb	2 lb	2173	339.63
TS-2K-SS	2,000 lb	2 lb	2174	339.63
TS-2.5K-SS *	2,500 lb	2 lb	2175	391.88
TS-3K-SS	3,000 lb	4 lb	2176	391.88
TS-5K-SS	5,000 lb	4 lb	2177	496.38
TS-10K-SS	10,000 lb	5 lb	2178	622.82

* Not NTEP

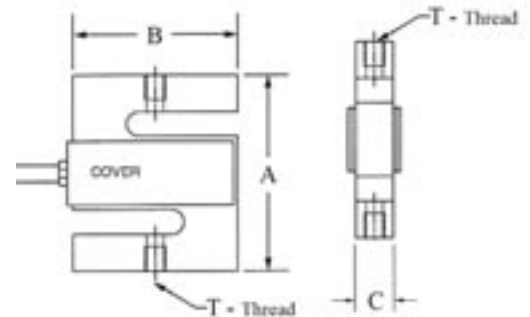


TS-SS

S Type

Dimensions in inches

Capacity	A	B	C	T
25-200	2.50	2.00	0.50	1/4-28 UNF
250-300	2.50	2.00	0.75	1/4-28 UNF
500-1.5K	2.50	2.00	0.75	1/2-20 UNF
2K-2.5K	2.50	2.00	1.00	1/2-20 UNF
3K	4.00	3.00	1.00	1/2-20 UNF
5K, 10K	4.00	3.00	1.25	3/4-16 UNF
15K	5.50	4.00	1.50	1 1/4 UNF



Prices are subject to change without notice. Please call for current prices.

Other items are available from the manufacturers, please call for quote.

13-01 Pollitt Dr Ext
 Fair Lawn NJ 07410
 201-797-2718

Totalcomp
 Components

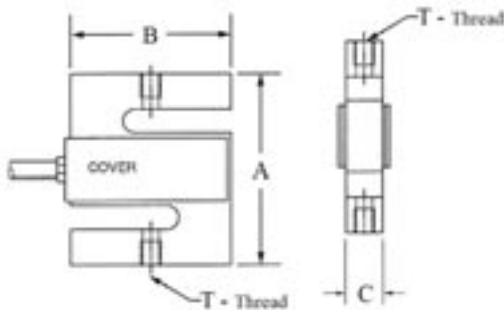
www.totalcomp.com
 sales@totalcomp.com
 Fax 201-797-2287

S Type

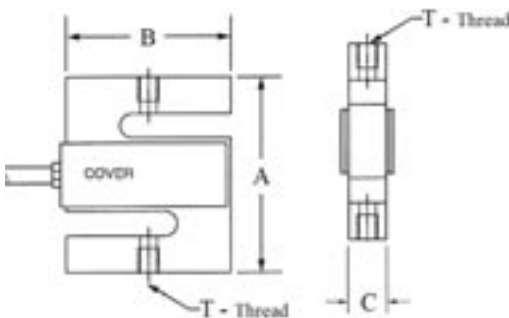
S Type



GS



GS-SS



GS General Sensor, Industrial Process Series

These economical tension load cells are intended for commercial use and also industrial process control.

3 mv/v, 380/350 ohm, 20 ft 4 wire cable, nickel plated steel, IP67.

NTEP Legal for Trade 97-022

Part Number	Capacity	Weight	Stock	List
GS-50 *	50 lb	2 lb	2753	\$ 190.58
GS-100	100 lb	2 lb	2754	190.58
GS-200	200 lb	2 lb	2755	190.58
GS-250	250 lb	2 lb	2725	190.58
GS-300	300 lb	2 lb	2756	190.58
GS-500	500 lb	2 lb	2757	190.58
GS-750	750 lb	2 lb	2758	190.58
GS-1K	1,000 lb	2 lb	2759	190.58
GS-1.5K	1,500 lb	2 lb	2760	190.58
GS-2K *	2,000 lb	3 lb	2761	190.58
GS-3K *	3,000 lb	4 lb	2762	190.58
GS-5K *	5,000 lb	4 lb	2763	375.38

* Not NTEP

Dimensions in inches

Capacity	A	B	C	T
50-200	2.50	2.00	0.50	1/4-28 UNF
300	3.00	2.00	0.50	3/8-24 UNF
500, 750	3.00	2.00	0.75	1/2-20 UNF
1K-3K	4.00	3.00	1.00	1/2-20 UNF

GS-SS General Sensor, Industrial Process Series

Bi-directional for both tension & compression loads. These economical cells are intended for non commercial use such as industrial process control.

2 mv/v, 400/350 ohm, 20 ft 4 wire cable, **stainless steel**, IP67.

Part Number	Capacity	Weight	Stock	List
GS-100-SS	100 lb	2 lb	8382	\$ 375.38
GS-200-SS	200 lb	2 lb	8383	375.38
GS-300-SS	300 lb	2 lb	8384	375.38
GS-500-SS	500 lb	2 lb	8385	375.38
GS-750-SS	750 lb	2 lb	8386	375.38
GS-1K-SS	1,000 lb	2 lb	8387	375.38
GS-1.5K-SS	1,500 lb	2 lb	8388	375.38
GS-2K-SS	2,000 lb	3 lb	8389	456.23
GS-3K-SS	3,000 lb	3 lb	8390	456.23
GS-5K-SS	5,000 lb	4 lb	8391	649.11
GS-10K-SS	10,000 lb	4 lb	8392	649.11
GS-15K-SS	15,000 lb	8 lb	8393	1,155.00
GS-20K-SS	20,000 lb	18 lb	8394	2,285.75

Dimensions in inches

Capacity	A	B	C	T
250	3.00	2.00	0.50	3/8-24 UNF
500, 750	3.00	2.00	0.75	1/2-20 UNF
1K-3K	3.00	2.00	1.00	1/2-20 UNF
5K	4.25	3.00	1.00	3/4-16UNF
10K	4.75	3.50	1.00	3/4-16UNF
15K	5.50	4.00	1.25	1-14UNF
20K	7.00	5.00	2.00	1 1/4-12UNF

Prices are subject to change without notice. Please call for current prices.

Other items are available from the manufacturers, please call for quote.

S Type

S Type

20210 Artech

3 mv/v, 0.03% nonlinearity, 380/350 ohm, 20 ft 4 wire cable, nickel/chrome plated steel.
IP67.

NTEP Legal for Trade 87-057

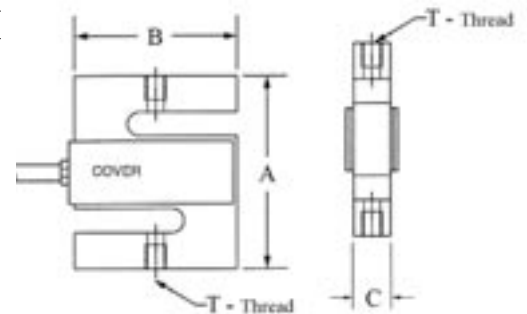
Part Number	Capacity	Weight	Stock	List
20210-25	25 lb	2 lb	1993	\$ 377.87
20210-50	50 lb	2 lb	1994	377.87
20210-75	75 lb	2 lb	1995	377.87
20210-100	100 lb	2 lb	1996	377.87
20210-150	150 lb	2 lb	1997	377.87
20210-200	200 lb	2 lb	1998	377.87
20210-250	250 lb	2 lb	1999	377.87
20210-300	300 lb	2 lb	2000	377.87
20210-500	500 lb	2 lb	2001	377.87
20210-750	750 lb	2 lb	2002	377.87
20210-1K	1,000 lb	2 lb	2003	377.87
20210-1.5K	1,500 lb	2 lb	2004	377.87
20210-2K	2,000 lb	2 lb	2005	377.87
20210-2.5K	2,500 lb	2 lb	2006	377.87
20210-3K	3,000 lb	4 lb	2007	429.10
20210-5K	5,000 lb	4 lb	2008	608.43
20210-10K	10,000 lb	5 lb	2009	608.43
20210-15K	15,000 lb	8 lb	2010	1,134.88
20210-20K	20,000 lb	14 lb	2011	1,134.88



20210

Dimensions in inches

Capacity	A	B	C	T
25-300	2.50	2.00	0.75	1/4-28 UNF
500-2.5K	2.50	2.00	1.00	1/2-20 UNF
3K	4.00	3.00	1.00	1/2-20 UNF
5K, 10K	4.00	3.00	1.25	3/4-16 UNF
15K	5.50	3.50	1.50	1-14 UNF
20K	7.00	4.50	2.00	1 1/4-12 UNF
30K, 40K	10.00	5.75	2.75	1 1/2-12 UNF



Prices are subject to change without notice. Please call for current prices.

Other items are available from the manufacturers, please call for quote.

13-01 Pollitt Dr Ext
Fair Lawn NJ 07410
201-797-2718

Totalcomp
Components

www.totalcomp.com
sales@totalcomp.com
Fax 201-797-2287

S Type

S Type



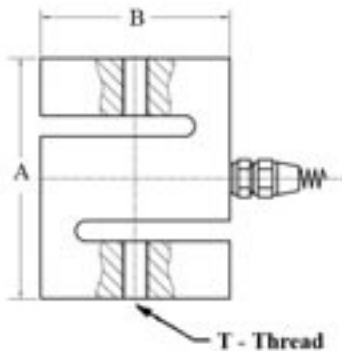
DS-SS

DS-SS Diamond

Bi-directional for both tension & compression loads.

3 mv/v, 385/350 ohm, 20 ft 4 wire cable, **stainless steel**, IP67.

Part Number	Capacity	Weight	Stock	List
DS-100-SS	100 lb	2 lb	7044	\$ 252.95
DS-150-SS	150 lb	2 lb	7270	252.95
DS-200-SS	200 lb	2 lb	7271	252.95
DS-250-SS	250 lb	2 lb	7272	252.95
DS-500-SS	500 lb	3 lb	7273	252.95
DS-750-SS	750 lb	3 lb	7274	252.95
DS-1K-SS	1,000 lb	3 lb	7275	252.95
DS-1.5K-SS	1,500 lb	3 lb	7276	252.95
DS-2K-SS	2,000 lb	3 lb	7277	317.63
DS-2.5K-SS	2,500 lb	3 lb	7278	317.63
DS-3K-SS	3,000 lb	6 lb	7279	317.63
DS-5K-SS	5,000 lb	6 lb	7280	445.83
DS-10K-SS	10,000 lb	6 lb	7281	445.83
DS-15K-SS	15,000 lb	8 lb	7282	798.11
DS-20K-SS	20,000 lb	8 lb	7283	1,600.83



Dimensions in inches

Capacity	A	B	C	T
150-250	2.5	2.0	0.5	1/4-28 UNF
500-1.5K	2.5	2.0	0.7	1/2-20 UNF
2K, 2.5K	2.5	2.0	1.0	1/2-20 UNF
3K	4.0	3.0	1.0	1/2-20 UNF
5K	4.0	3.0	1.0	3/4-16 UNF
10K	4.0	3.0	1.2	3/4-16 UNF
15K	5.5	3.5	1.5	1-14 UNF
20K	7.0	4.5	1.7	1 1/4-12 UNF

Prices are subject to change without notice. Please call for current prices.

Other items are available from the manufacturers, please call for quote.

S Type

DS Diamond

Bi-directional for both tension & compression loads.
3 mv/v, 385/350 ohm, 20 ft 4 wire cable, alloy steel, IP67.

Part Number	Capacity	Weight	Stock	List
DS-50	50 lb	2 lb	7254	\$ 144.38
DS-100	100 lb	2 lb	7255	144.38
DS-150	150 lb	2 lb	7256	157.08
DS-200	200 lb	2 lb	7257	157.08
DS-250	250 lb	3 lb	7258	157.08
DS-500	500 lb	3 lb	7259	157.08
DS-750	750 lb	3 lb	7260	157.08
DS-1K	1,000 lb	3 lb	7261	157.08
DS-1.5K	1,500 lb	3 lb	7262	157.08
DS-2K	2,000 lb	3 lb	7263	188.27
DS-2.5K	2,500 lb	3 lb	7264	188.27
DS-3K	3,000 lb	4 lb	7265	188.27
DS-5K	5,000 lb	4 lb	7266	285.29
DS-10K	10,000 lb	5 lb	7267	285.29
DS-15K	15,000 lb	8 lb	7268	413.49
DS-20K	20,000 lb	16 lb	7269	637.56

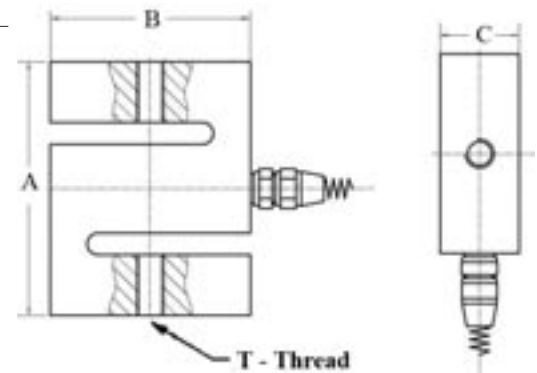


S Type

DS

Dimensions in inches

Capacity	A	B	C	T
50-250	2.5	2.0	0.5	1/4-28 UNF
500-1.5K	2.5	2.0	0.7	1/2-20 UNF
2K, 2.5K	2.5	2.0	1.0	1/2-20 UNF
3K	4.0	3.0	1.0	1/2-20 UNF
5K	4.0	3.0	1.0	3/4-16 UNF
10K	4.0	3.0	1.2	3/4-16 UNF
15K	5.5	3.5	1.5	1-14 UNF
20K	7.0	4.5	1.7	1 1/4-12 UNF



Prices are subject to change without notice. Please call for current prices.

Other items are available from the manufacturers, please call for quote.

13-01 Pollitt Dr Ext
Fair Lawn NJ 07410
201-797-2718

Totalcomp
Components

www.totalcomp.com
sales@totalcomp.com
Fax 201-797-2287

S Type

S Type



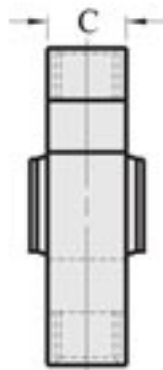
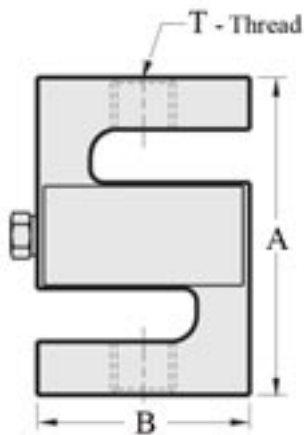
NS-SS

NS-SS Nikkei

Bi-directional for both tension & compression loads.

3 mv/v, 380/350 ohm, 20 ft 4 wire cable, **stainless steel**, IP67.

Part Number	Capacity	Weight	Stock	List
NS-25-SS	25 lb	2 lb	1454	\$ 339.63
NS-50-SS	50 lb	2 lb	1916	339.63
NS-100-SS	100 lb	2 lb	1917	339.63
NS-200-SS	200 lb	2 lb	2157	339.63
NS-250-SS	250 lb	2 lb	1918	339.63
NS-500-SS	500 lb	3 lb	1919	339.63
NS-750-SS	750 lb	3 lb	1456	339.63
NS-1K-SS	1,000 lb	3 lb	1920	339.63
NS-1.5K-SS	1,500 lb	3 lb	1921	339.63
NS-2K-SS	2,000 lb	3 lb	1477	339.63
NS-2.5K-SS	2,500 lb	3 lb	1922	716.87
NS-3K-SS	3,000 lb	6 lb	1923	716.87
NS-5K-SS	5,000 lb	6 lb	1924	734.95
NS-10K-SS	10,000 lb	6 lb	1925	734.95



Dimensions in inches

Capacity	A	B	C	T
25, 300	2.5	2.0	0.75	1/4-28 UNF
500-2.5K	2.5	2.0	0.75	1/2-20 UNF
5K-10K	4.0	3.0	1.00	3/4-16 UNF
15K	5.5	3.5	1.50	1-14 UNF
20K	7.0	4.5	2.00	1-1/4-12 UNF

Prices are subject to change without notice. Please call for current prices.

Other items are available from the manufacturers, please call for quote.

S Type

S Type

NS Nikkei

Bi-directional for both tension & compression loads.
3 mv/v, 380/350 ohm, 20 ft 4 wire cable, nickel plated steel, IP67.
NTEP Legal for Trade 99-126.

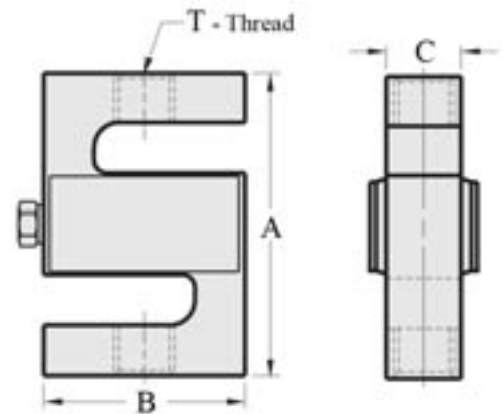
Part Number	Capacity	Weight	Stock	List
NS-25	25 lb	2 lb	1403	\$ 249.76
NS-50	50 lb	2 lb	1019	249.76
NS-75	75 lb	2 lb	2159	249.76
NS-100	100 lb	2 lb	1020	249.76
NS-150	150 lb	2 lb	2160	249.76
NS-200	200 lb	2 lb	532	249.76
NS-250	250 lb	2 lb	1021	249.76
NS-300	300 lb	2 lb	2161	249.76
NS-500	500 lb	2 lb	1022	249.76
NS-750	750 lb	3 lb	1404	249.76
NS-1K	1,000 lb	3 lb	1023	249.76
NS-1.5K	1,500 lb	3 lb	1173	249.76
NS-2K	2,000 lb	3 lb	1072	249.76
NS-2.5K	2,500 lb	3 lb	1024	249.76
NS-3K	3,000 lb	4 lb	1025	271.70
NS-5K	5,000 lb	4 lb	1026	373.07
NS-10K	10,000 lb	5 lb	1027	373.07
NS-15K	15,000 lb	8 lb	1845	1,079.49
NS-20K	20,000 lb	16 lb	1724	1,079.49



NS

Dimensions in inches

Capacity	A	B	C	T
25, 300	2.5	2.0	0.75	1/4-28 UNF
500-2.5K	2.5	2.0	0.75	1/2-20 UNF
5K-10K	4.0	3.0	1.00	3/4-16 UNF
15K	5.5	3.5	1.50	1-14 UNF
20K	7.0	4.5	2.00	1-1/4-12 UNF



Prices are subject to change without notice. Please call for current prices.

Other items are available from the manufacturers, please call for quote.

13-01 Pollitt Dr Ext
Fair Lawn NJ 07410
201-797-2718

Totalcomp
Components

www.totalcomp.com
sales@totalcomp.com
Fax 201-797-2287

S Type

S Type



9363



9363 Revere

3 mv/v, 430/350 ohm, 20 ft 4 wire cable, stainless steel. IP65.

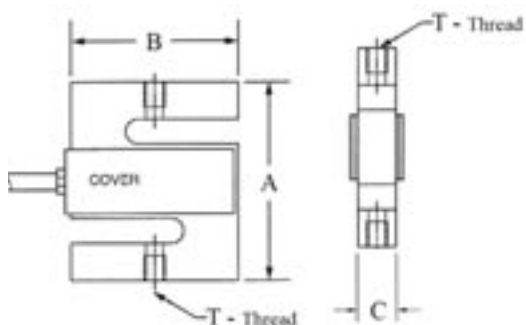
100 lb thru 10,000 lb are NTEP

NTEP Legal for Trade 87-051

Part Number	Capacity	Weight	Stock	List
9363-50 *	50 lb	2 lb	1056	\$ 308.28
9363-75 *	75 lb	2 lb	6508	308.28
9363-B10-100	100 lb	2 lb	1057	308.28
9363-150	150 lb	2 lb	6509	308.28
9363-200	200 lb	2 lb	1058	308.28
9363-250	250 lb	2 lb	6510	308.28
9363-300	300 lb	2 lb	1059	308.28
9363-500	500 lb	2 lb	1060	308.28
9363-750	750 lb	2 lb	1061	308.28
9363-1K	1,000 lb	2 lb	1062	308.28
9363-1.5K	1,500 lb	2 lb	1063	308.28
9363-2K	2,000 lb	3 lb	1064	308.28
9363-2.5K	2,500 lb	2 lb	6511	308.28
9363-3K	3,000 lb	4 lb	1065	308.28
9363-5K	5,000 lb	4 lb	1066	496.38
9363-10K	10,000 lb	5 lb	1067	574.75
9363-15K *	15,000 lb	7 lb	6513	652.08
9363-20K *	20,000 lb	10 lb	6514	935.28

* Not NTEP

Dimensions in inches



Capacity	A	B	C	T
100-300	2.50	2.00	0.50	1/4-28 UNF
500-1.5K	2.50	2.00	0.70	1/2-20 UNF
2K, 2.5K	2.50	2.00	1.00	1/2-20 UNF
3K	4.00	3.00	1.00	1/2-20 UNF
5K	4.00	3.00	1.00	3/4-16 UNF
10K	4.00	3.00	1.20	3/4-16 UNF
15K	5.50	3.50	1.50	1-14 UNF
20K	7.00	4.50	1.70	1 1/4-12 UNF

Prices are subject to change without notice. Please call for current prices.

Other items are available from the manufacturers, please call for quote.

S Type

S Type

363 Revere

3 mv/v, 390/350 ohm, 20 ft 4 wire cable, nickel plated steel. IP65
 100 lb thru 10,000 lb are NTEP.
 NTEP Legal for Trade 87-063

Part Number	Capacity	Weight	Stock	List
363-50 *	50 lb	2 lb	5447	\$ 274.84
363-100	100 lb	2 lb	5448	274.84
363-200	200 lb	2 lb	5449	274.84
363-300	300 lb	2 lb	5450	274.84
363-500	500 lb	2 lb	5451	274.84
363-750	750 lb	2 lb	5452	274.84
363-1K	1,000 lb	2 lb	5453	274.84
363-1.5K	1,500 lb	2 lb	5454	274.84
363-2K	2,000 lb	3 lb	5455	274.84
363-3K	3,000 lb	4 lb	5456	335.45
363-5K	5,000 lb	4 lb	5457	434.72
363-10K	10,000 lb	5 lb	5458	434.72
363-15K *	15,000 lb	8 lb	5459	517.28
363-20K *	20,000 lb	18 lb	5460	315.10

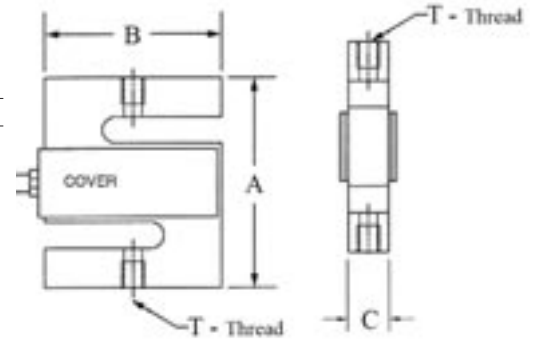
* Not NTEP



363

Dimensions in inches

Capacity	A	B	C	T
100-300	2.5	2.0	0.5	1/4-28 UNF
500-1.5K	2.5	2.0	0.7	1/2-20 UNF
2K, 2.5K	2.5	2.0	1.0	1/2-20 UNF
3K	4.0	3.0	1.0	1/2-20 UNF
5K	4.0	3.0	1.0	3/4-16 UNF
10K	4.0	3.0	1.2	3/4-16 UNF
15K	5.5	3.5	1.5	1-14 UNF
20K	7.0	4.5	1.7	1 1/4-12 UNF



263D Revere

3 mv/v, 350/350 ohm, 10 ft 4 wire cable, nickel plated steel, IP67.

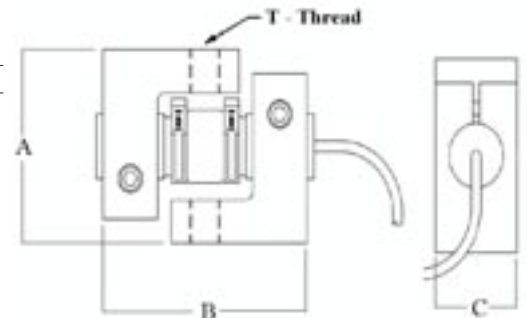
Part Number	Capacity	Weight	Stock	List
263D-D3-3K-10P1	3,000 lb	4 lb	69	\$ 539.22



263D

Dimensions in inches

Capacity	A	B	C	T
3K	4.56	4.00	1.50	1/2-20



Prices are subject to change without notice. Please call for current prices.

Other items are available from the manufacturers, please call for quote.

13-01 Pollitt Dr Ext
 Fair Lawn NJ 07410
 201-797-2718

Totalcomp
 Components

www.totalcomp.com
 sales@totalcomp.com
 Fax 201-797-2287

S Type

S Type



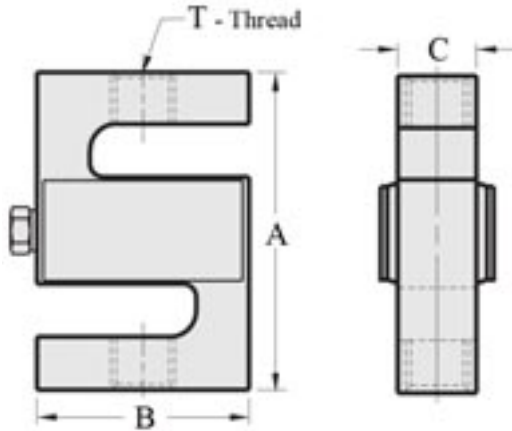
60001



60001 Sensortronics

3 mv/v, 350/350 ohms, 20 ft 4 wire cable, nickel plated steel, IP67.
NTEP Legal for Trade 86-043

Part Number	Capacity	Weight	Stock	List
60001-25	25 lb	2 lb	388	\$ 308.28
60001-50	50 lb	2 lb	389	308.28
60001-100	100 lb	2 lb	390	308.28
60001-150	150 lb	2 lb	408	308.28
60001-200	200 lb	2 lb	391	308.28
60001-250	250 lb	2 lb	148	308.28
60001-300	300 lb	2 lb	3422	308.28
60001-500	500 lb	2 lb	149	308.28
60001-750	750 lb	2 lb	150	308.28
60001-1K	1,000 lb	2 lb	151	308.28
60001-1.5K	1,500 lb	2 lb	152	308.28
60001-2K	2,000 lb	3 lb	153	308.28
60001-2.5K	2,500 lb	3 lb	154	350.08
60001-3K	3,000 lb	3 lb	155	350.08
60001-5K	5,000 lb	4 lb	156	496.38
60001-10K	10,000 lb	5 lb	157	496.38
60001-15K	15,000 lb	8 lb	158	700.15
60001-20K	20,000 lb	18 lb	159	1,344.29



Dimensions in inches

Capacity	A	B	C	T
25-200	2.50	2.00	0.65	1/4-28 UNF
250, 300	3.00	2.00	0.75	3/8-24 UNF
500-2K	3.00	2.00	1.00	1/2-20 UNF
2.5K	3.00	2.00	1.00	1/2-20 UNF
3K	3.00	2.00	1.00	1/2-20 UNF
5K	4.25	3.00	1.00	3/4-16 UNF
10K	4.75	3.50	1.00	3/4-16 UNF
15K	5.50	4.00	1.25	1-14 UNF
20K	7.00	5.00	2.00	1-1/4-12UNF

Prices are subject to change without notice. Please call for current prices.

Other items are available from the manufacturers, please call for quote.

S Type

S Type

60050 Sensortronics

3 mv/v, 350/350 ohms, 20 ft 4 wire cable, **stainless steel**, IP67.

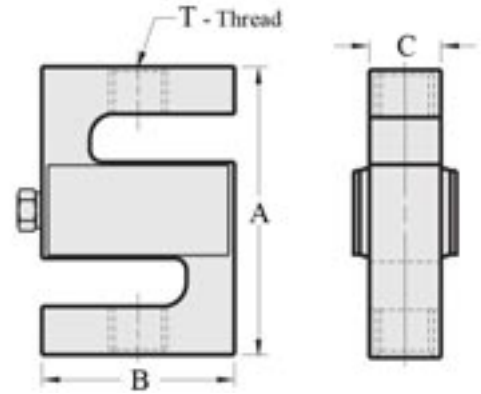
Part Number	Capacity	Weight	Stock	List
60050-25	25 lb	2 lb	383	\$ 350.08
60050-50	50 lb	2 lb	384	350.08
60050-100	100 lb	2 lb	385	350.08
60050-200	200 lb	2 lb	386	350.08
60050-250	250 lb	2 lb	1086	350.08
60050-500	500 lb	2 lb	1087	350.08
60050-750	750 lb	2 lb	1088	350.08
60050-1K	1,000 lb	2 lb	1089	350.08
60050-1.5K	1,500 lb	2 lb	1090	350.08
60050-2K	2,000 lb	2 lb	1091	350.08
60050-2.5K	2,500 lb	3 lb	1092	350.08
60050-3K	3,000 lb	3 lb	1093	350.08
60050-5K	5,000 lb	4 lb	1094	465.03
60050-10K	10,000 lb	5 lb	1095	666.71
60050-15K	15,000 lb	8 lb	1096	840.18
60050-20K	20,000 lb	18 lb	1097	1,164.13



60050

Dimensions in inches

Capacity	A	B	C	T
25-200	2.50	2.00	0.65	1/4-28 UNF
250, 300	3.00	2.00	0.75	3/8-24 UNF
500-2K	3.00	2.00	1.00	1/2-20 UNF
2.5K-3K	4.00	3.00	1.00	1/2-20 UNF
5K	4.25	3.00	1.25	3/4-16 UNF
10K	4.75	3.50	1.25	3/4-16 UNF
15K	5.50	4.00	1.50	1-14 UNF
20K	7.00	5.00	2.25	1 1/4-12 UNF



Prices are subject to change without notice. Please call for current prices.

Other items are available from the manufacturers, please call for quote.

13-01 Pollitt Dr Ext
Fair Lawn NJ 07410
201-797-2718

 **Totalcomp**
Components

www.totalcomp.com
sales@totalcomp.com
Fax 201-797-2287

S Type

S Type

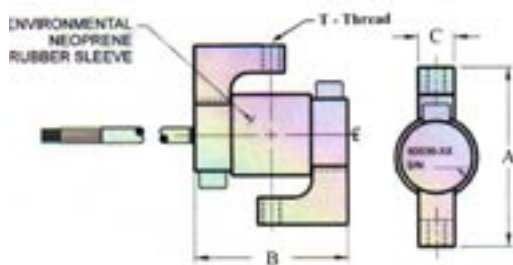


60036

60036 Sensortronics

3 mv/v, 350/350 ohms, 20 ft 4 wire cable, nickel plated steel, IP67.

Part Number	Capacity	Weight	Stock	List
60036-25	25 lb	2 lb	576	\$ 295.00



Dimensions in inches

Capacity	A	B	C	T
25-250	2.50	2.12	0.50	1/4-28 UNF

S Type

BSP Revere, Bidirectional Super Precision

Both tension and compression loads, hermetically sealed.
 3 mv/v for 100 lb to 2,500 lb, 2 mv/v for 5K & 10K,
 350 ohm input, 350 ohm output
 30 ft 4 wire cable, **stainless steel**. IP67.
 100 lb thru 5,000 lb are NTEP.
 NTEP Legal for Trade 88-089

Part Number	Capacity	mv/v	Weight	Stock	List
BSP-100	100 lb	3	3 lb	972	\$ 1,354.00
BSP-250	250 lb	3	3 lb	973	1,135.00
BSP-500	500 lb	3	3 lb	974	1,354.00
BSP-1K	1,000 lb	3	3 lb	975	1,354.00
BSP-2.5K	2,500 lb	3	4 lb	976	1,291.00
BSP-5K	5,000 lb	2	5 lb	977	1,291.00
BSP-10K	10,000 lb	2	6 lb	978	1,274.00

Metric capacities (kg)

00BSP-125K-C3-00X	125 kg	3	3 lb	971	1,215.00
-------------------	--------	---	------	-----	----------

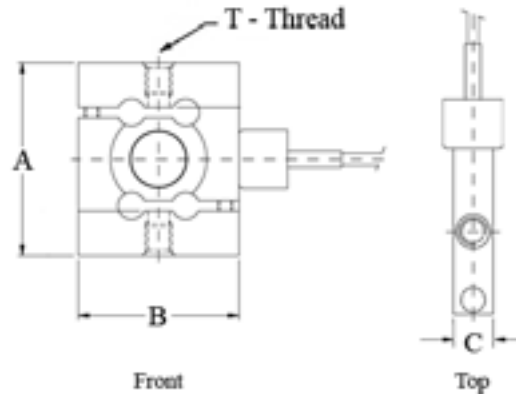
Dimensions in inches

Capacity	A	B	C	T
100-250	3.32	2.48	0.91	3/8-24
500	3.50	2.44	0.71	1/2-20
1K	3.50	2.94	0.71	1/2-20
2.5K	3.75	2.44	0.95	1/2-20
5K, 10K	4.75	2.44	1.44	1-14



S Type

BSP



UB6 Flintec

Total **stainless steel** construction. Complete welded hermetic sealing.
 2 mv/v, 1,100/1,000 ohm, 20 ft 4 wire cable, **stainless steel**, IP68.
 OIML R 60

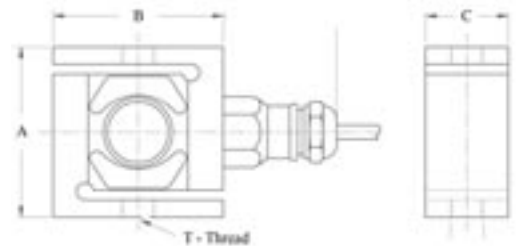
Part Number	Nominal	Capacity	Weight	Stock	List
UB6-1kN-US-GP	225 lb	100 kg	2 lb	567	\$ 457.00
UB6-2kN-US-GP	450 lb	200 kg	2 lb	568	457.00
UB6-5kN-US-GP	1,125 lb	500 kg	2 lb	569	457.00

Dimensions in inches

Capacity	A	B	C	T
100-500kg	2.42	2.42	1.18	1/2-20



UB6



Prices are subject to change without notice. Please call for current prices.

Other items are available from the manufacturers, please call for quote.

13-01 Pollitt Dr Ext
 Fair Lawn NJ 07410
 201-797-2718

Totalcomp
 Components

www.totalcomp.com
 sales@totalcomp.com
 Fax 201-797-2287

S Type

S Type

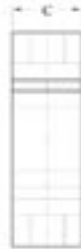
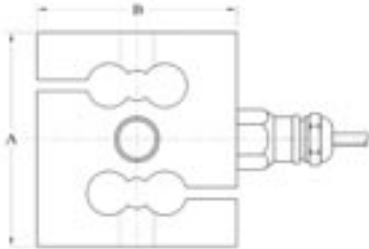


UB1 Flintec

Total **stainless steel** construction. Complete welded hermetic sealing.
2 mv/v, 1106/1000 ohm, 20 ft 4 wire cable, **stainless steel**, IP68.
OIML R 60

Part Number	Nominal	Capacity	Weight	Stock	List
UB1-10kN-US-GP	2,250 lb	1,000 kg	4 lb	570	\$ 459.00
UB1-20kN-US-GP	4,500 lb	2,000 kg	4 lb	571	459.00
UB1-50kN-US-GP	11,250 lb	5,000 kg	4 lb	572	702.00

UB1



Dimensions in inches

Capacity	A	B	C	T
1t, 2t	3.62	3.38	1.18	5/8-18 UNF
50t	5.35	5.63	1.69	1-12 UNF

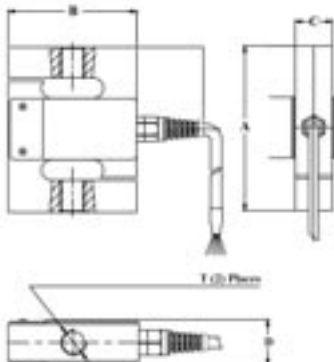


614 Tedeá Huntleigh

2mv/v 415/350, 3m 6 wire cable, aluminum, IP67
OIML R60 44.

Part Number	Nominal	Capacity	Weight	Stock	List
614-50kg	100 lb	50 kg	2 lb	1420	\$ 172.20
614-100kg	200 lb	100 kg	2 lb	1421	172.20
614-200kg	400 lb	200 kg	2 lb	1422	172.20
614-300kg	600 lb	300 kg	2 lb	1423	172.20
614-500kg	1,000 lb	500 kg	2 lb	1424	172.20

614 Tedeá



Dimensions in inches

Capacity	A	B	C	D	T
50-500kg	3.15	2.45	0.70	0.87	1/2-20 UNF

Prices are subject to change without notice. Please call for current prices.

Other items are available from the manufacturers, please call for quote.

S Type

S Type

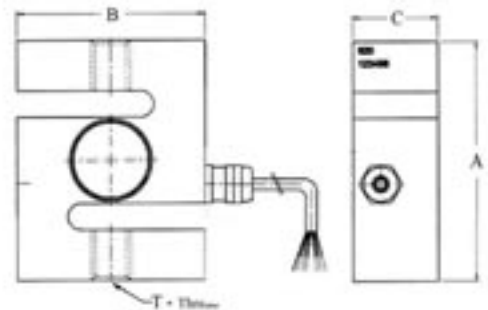
60063 Sensortronics

Welded hermetic seal. Physically interchangeable with Sensortronics 60001/60050.
2 mv/v, 349-450/349-355 ohms, 20 ft 4 wire cable, **stainless steel**, IP68.
NTEP Legal for Trade 98-019

Part Number	Capacity	Weight	Stock	List
60063-500	500 lb	3 lb	3556	\$ 697.64
60063-750	750 lb	3 lb	3557	808.83
60063-1K	1,000 lb	3 lb	3558	808.83
60063-1.5K	1,500 lb	3 lb	3559	808.83
60063-2K	2,000 lb	3 lb	3560	808.83
60063-2.5K	2,500 lb	3 lb	3561	808.83
60063-3K	3,000 lb	3 lb	3562	808.83
60063-5K	5,000 lb	4 lb	3563	1,354.32
60063-10K*	10,000 lb	5 lb	3564	1,354.32



60063



Dimensions in inches

Capacity	A	B	C	T
500-3K	3.00	2.00	1.00	1/2-20 UNF
5K, 10K	4.75	3.50	1.00	3/4-16 UNF
15K	5.50	4.00	1.25	1-14 UNF
20K	7.00	5.00	2.00	1 1/4-12 UNF

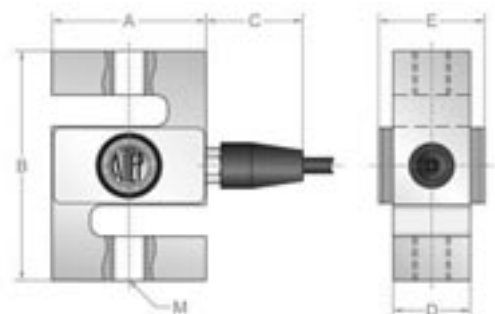
BSS Transcell

Welded hermetic seal. Physically interchangeable with Sensortronics 60001/60050.
3 mv/v, 387/350 ohms, 20 ft 4 wire cable, Alloy steel, IP67.
NTEP Legal for Trade 97-028 (250 to 2.5k only)

Part Number	Capacity	Weight	Stock	List
BSS-250	250 lb	3 lb	2476	\$ 180.00
BSS-500	500 lb	3 lb	2477	180.00
BSS-1000	1,000 lb	3 lb	2478	180.00
BSS-1500	1,500 lb	3 lb	2479	180.00
BSS-2000	2,000 lb	3 lb	2480	180.00
BSS-2500	2,500 lb	3 lb	2481	180.00
BSS-3000	3,000 lb	3 lb	2482	180.00
BSS-5000	5,000 lb	5 lb	2483	350.00
BSS-10,000	10,000 lb	5 lb	2484	350.00
BSS-20,000	20,000 lb	16 lb	2485	735.00



BSS



Dimensions in inches

Capacity	A	B	C	T
500-3K	3.00	2.00	1.00	1/2-20 UNF
5K, 10K	4.75	3.50	1.00	3/4-16 UNF
15K	5.50	4.00	1.25	1-14 UNF
20K	7.00	5.00	2.00	1 1/4-12 UNF

Prices are subject to change without notice. Please call for current prices.

Other items are available from the manufacturers, please call for quote.

13-01 Pollitt Dr Ext
Fair Lawn NJ 07410
201-797-2718

Totalcomp
Components

www.totalcomp.com
sales@totalcomp.com
Fax 201-797-2287

S Type

S Type



620



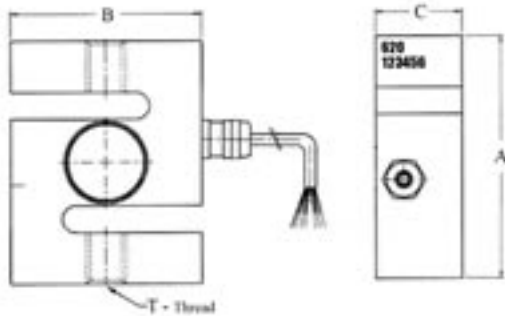
620 Teda Huntleigh

Ultimate protection for hostile weighing environment. All welded hermetic sealing and **stainless steel** construction while maintaining high accuracy. Polyurethane dual shielded cable.

2 mv/v, 400/350 ohm, 5m 6 wire cable, **stainless steel**, IP68.

NTEP Legal for Trade 95-130

Part Number	Nominal	Capacity	Weight	Stock	List
620-500kg	1,000 lb	500 kg	3 lb	2820	\$ 773.00
620-1000kg	2,000 lb	1,000 kg	3 lb	2821	773.00
620-2000kg	4,000 lb	2,000 kg	4 lb	2822	773.00
620-5000kg	10,000 lb	5,000 kg	5 lb	2823	887.21



Dimensions in inches

Capacity	A	B	C	T
0.5-1t	3.54	2.75	1.25	1/2-20
2t	3.54	2.75	1.25	3/4-16
5t	4.72	3.94	1.77	1-12

Prices are subject to change without notice. Please call for current prices.

Other items are available from the manufacturers, please call for quote.

S Type

SBA CAS

3 mv/v, 400/350 ohm, 20 ft 4 wire cable, nickel plated steel, IP65
 NTEP Legal for Trade 96-073

Part Number	Capacity	Weight	Stock	List
SBA-50L	50 lb	3 lb	5682	\$ 154.00
SBA-75L	75 lb	3 lb	5683	154.00
SBA-100L	100 lb	3 lb	5684	154.00
SBA-150L	150 lb	3 lb	5685	179.00
SBA-200L	200 lb	3 lb	5686	179.00
SBA-250L	250 lb	3 lb	5687	179.00
SBA-300L	300 lb	3 lb	5688	179.00
SBA-500L	500 lb	3 lb	5689	179.00
SBA-750L	750 lb	3 lb	5690	179.00
SBA-1K	1,000 lb	3 lb	5691	189.00
SBA-1.5K	1,500 lb	3 lb	5692	189.00
SBA-2K	2,000 lb	3 lb	5693	189.00
SBA-2.5K	2,500 lb	3 lb	5694	199.00
SBA-3K	3,000 lb	3 lb	5695	199.00
SBA-5K	5,000 lb	4 lb	5696	199.00
SBA-7.5K	7,500 lb	5 lb	5697	229.00
SBA-10K	10,000 lb	5 lb	5698	229.00
SBA-15K	15,000 lb	8 lb	5699	269.00
SBA-20K	20,000 lb	18 lb	5700	319.00



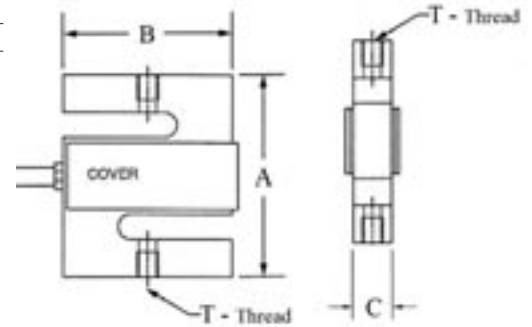
S Type

SBA



Dimensions in inches

Capacity	A	B	C	T
50-200	2.50	2.00	0.50	1/4-28 UNF
250, 300	3.00	2.00	0.50	3/8-24 UNF
500-2K	3.00	2.00	0.75	1/2-20 UNF
2.5K, 3K	3.00	2.00	1.00	1/2-20 UNF
5K	4.25	3.03	1.00	3/4-16 UNF
7.5K, 10K	4.75	3.50	1.00	3/4-16 UNF
15K	6.50	4.00	1.25	1-14 UNF
20K	7.00	5.00	2.00	1 1/4-12 UNF



Prices are subject to change without notice. Please call for current prices.

Other items are available from the manufacturers, please call for quote.

13-01 Pollitt Dr Ext
 Fair Lawn NJ 07410
 201-797-2718

Totalcomp
 Components

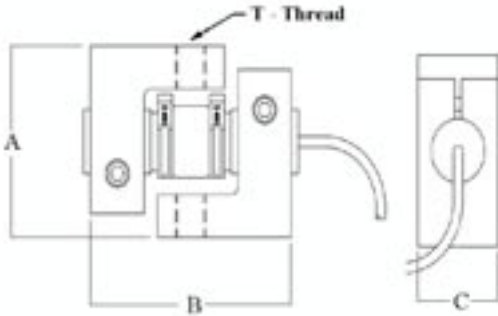
www.totalcomp.com
 sales@totalcomp.com
 Fax 201-797-2287

S Type

S Type



CB



CB Group Four

Interchangeable with RTI Model 263D. Stainless steel beam. Arms are nickel plated steel. 3 mv/v, 450/350 ohm, 11 ft 4 wire cable, **stainless steel**, IP67.

Part Number	Capacity	Weight	Stock	List
CB-50	50 lb	5 lb	4636	\$ 1,675.00
CB-100	100 lb	5 lb	4637	1,675.00
CB-200	200 lb	5 lb	4638	1,675.00
CB-250	250 lb	5 lb	4639	1,675.00
CB-300	300 lb	5 lb	4640	1,675.00
CB-500	500 lb	5 lb	4641	1,675.00
CB-1K	1,000 lb	5 lb	4642	1,675.00
CB-2K	2,000 lb	5 lb	4643	1,804.00
CB-3K	3,000 lb	5 lb	4644	1,804.00

Dimensions in inches

Capacity	A	B	C	T
50-1K	3.00	4.00	1.50	1/2-20
2K-3K	4.56	4.00	1.50	1/2-20

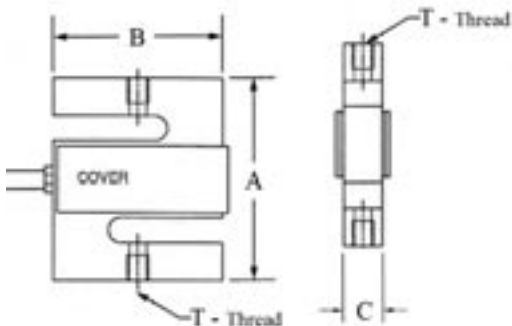


SB-10A

SB Group Four

3 mv/v, 350/350 ohm, 10 ft 4 wire cable, aluminum, IP67.

Part Number	Capacity	Weight	Stock	List
SB-10A	10 lb	2 lb	5997	\$ 659.00



Dimensions in inches

Capacity	A	B	C	T
10-200	2.50	2.00	0.46	1/4-28 UNF

Prices are subject to change without notice. Please call for current prices.

Other items are available from the manufacturers, please call for quote.

S Type

H3G Zemic

Alloy steel, sealed by adhesive inside, oil-proof, waterproof and anti-corrosion, suitable for all kinds of environments
3 mv/v, 430/351 ohm, 6m 4 wire cable, nickel plated steel, IP67.

Part Number	Capacity	Weight	Stock	List
H3G-N3-50-6YB	50 lb	2 lb	3732	\$ 260.00
H3G-N10-75-6YB	75 lb	2 lb	3733	260.00
H3G-N10-100-6YB	100 lb	2 lb	3734	260.00
H3G-N10-150-6YB	100 lb	2 lb	3735	260.00
H3G-N10-200-6YB	200 lb	2 lb	3736	260.00
H3G-N10-250-6YB	250 lb	2 lb	3737	260.00
H3G-N10-300-6YB	300 lb	2 lb	3738	260.00
H3G-N10-500-6YB	500 lb	2 lb	3739	260.00
H3G-N10-750-6YB	750 lb	2 lb	3740	260.00
H3G-N10-1k-6YB	1,000 lb	2 lb	3741	260.00
H3G-N10-1.5k-6YB	1,500 lb	2 lb	3742	260.00
H3G-N10-2k-6YB	2,000 lb	2 lb	3743	285.00
H3G-N10-2.5k-6YB	2,500 lb	2 lb	3744	285.00
H3G-N10-3k-6YB	3,000 lb	4 lb	3745	331.00
H3G-N10-1k-6YB	5,000 lb	4 lb	3746	331.00
H3G-N10-10k-6YB	10,000 lb	4 lb	3747	331.00
H3G-N10-15k-6YB	15,000 lb	7 lb	3748	391.00
H3G-N10-20k-6YB	20,000 lb	17 lb	3749	520.00



H3G

S Type

B3G Zemic

Stainless steel, sealed by adhesive inside, oil-proof, waterproof and anti-corrosion, suitable for all kinds of environments
3 mv/v, 430/351 ohm, 6m 4 wire cable, stainless steel, IP67.

Part Number	Capacity	Weight	Stock	List
B3G-N3-50-6YB	50 lb	2 lb	3905	\$ 352.00
B3G-N3-75-6YB	75 lb	2 lb	3906	352.00
B3G-N10-100-6YB	100 lb	2 lb	3907	352.00
B3G-N10-150-6YB	150 lb	2 lb	3908	352.00
B3G-N10-200-6YB	200 lb	2 lb	3909	352.00
B3G-N10-250-6YB	250 lb	2 lb	3910	352.00
B3G-N10-300-6YB	300 lb	2 lb	3911	352.00
B3G-N10-500-6YB	500 lb	2 lb	3912	352.00
B3G-N10-750-6YB	750 lb	2 lb	3913	352.00
B3G-N10-1K-6YB	1,000 lb	2 lb	3914	352.00
B3G-N10-1.5K-6YB	1,500 lb	2 lb	3915	352.00
B3G-N10-2K-6YB	2,000 lb	2 lb	3916	373.00
B3G-N10-2.5K-6YB	2,500 lb	2 lb	3917	373.00
B3G-N10-3K-6YB	3,000 lb	4 lb	3918	398.00
B3G-N10-5K-6YB	5,000 lb	4 lb	3919	398.00
B3G-N10-10K-6YB	10,000 lb	4 lb	3920	535.00
B3G-N3-15K-6YB	15,000 lb	7 lb	3921	724.00
B3G-N3-20K-6YB	20,000 lb	17 lb	3922	1,227.00



B3G

Prices are subject to change without notice. Please call for current prices.

Other items are available from the manufacturers, please call for quote.

13-01 Pollitt Dr Ext
Fair Lawn NJ 07410
201-797-2718

Totalcomp
Components

www.totalcomp.com
sales@totalcomp.com
Fax 201-797-2287

Beam

Beam



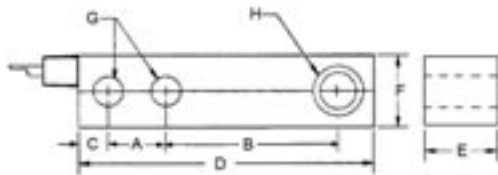
65023



65023 Sencortronics

3 mv/v, 0.03% nonlinearity, 350/350 ohm, 20 ft 4 wire cable, nickel plated steel, IP67.
NTEP Legal for Trade 86-044 1K thru 10K A in part number denotes NTEP certificate.

Part Number	Capacity	Weight	Stock	List
65023-250 *	250 lb	3 lb	1714	\$ 308.28
65023-500 *	500 lb	3 lb	1737	308.28
65023A-1K	1,000 lb	3 lb	107	308.28
65023A-1.5K	1,500 lb	3 lb	4080	308.28
65023A-2K	2,000 lb	3 lb	108	308.28
65023A-2.5K	2,500 lb	3 lb	109	308.28
65023A-2.5K **	2,500 lb	2 lb	1712	308.28
** Low profile 3/4" high, 10 ft cable				
65023A-4K	4,000 lb	4 lb	110	308.28
65023A-5KSE-5223	5,000 lb	4 lb	605	308.28
65023A-5K	5,000 lb	5 lb	111	431.00
65023A-10K	10,000 lb	5 lb	112	431.00
5023-15K *	15,000 lb	9 lb	113	747.18
65023-20K *	20,000 lb	9 lb	114	747.18
* Not NTEP				



Dimensions in inches

Capacity	A	B	C	D	E	F	G	H
250,500	1.00	3.00	0.62	5.12	1.00	1.25	0.53	1/2-20
1K,4K, 5KSE	1.00	3.00	0.62	5.12	1.25	1.25	0.53	1/2-20
5K,10K	1.50	3.75	0.75	6.75	1.50	1.50	0.78	3/4-16
15K,20K	2.00	4.88	1.00	8.88	2.00	2.00	1.03	1"-14

Prices are subject to change without notice. Please call for current prices.

Other items are available from the manufacturers, please call for quote.

Beam

65023-SS Sensortronics

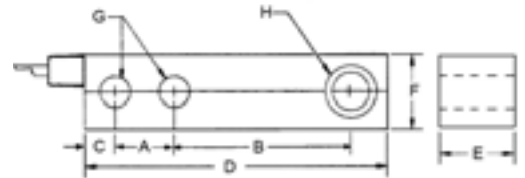
3 mv/v, 0.03% nonlinearity, 350/350 ohm, 20 ft 4 wire cable, **stainless steel**, IP67.
 NTEP Legal for Trade 88-298A1 1K thru 10K S in part number denotes NTEP certificate.

Part Number	Capacity	Weight	Stock	List
65023-250-0113 *	250 lb	3 lb	1715	\$ 339.63
65023-500-0113 *	500 lb	3 lb	1738	339.63
65023S-1K-5113	1,000 lb	3 lb	725	339.63
65023S-2K-5113	2,000 lb	3 lb	726	339.63
65023S-2.5K-5113	2,500 lb	3 lb	727	339.63
65023S-4K-5113	4,000 lb	3 lb	728	339.63
65023S-5KSE-5225	5,000 lb	4 lb	607	339.63
65023S-5K-5113	5,000 lb	5 lb	729	433.68
65023S-10K-5113	10,000 lb	5 lb	730	433.68
65023-15K-0113 *	15,000 lb	9 lb	731	933.19
65023-20K-0113 *	20,000 lb	9 lb	732	933.19

* Not NTEP



65023-SS



Dimensions in inches

Capacity	A	B	C	D	E	F	G	H
250,500	1.00	3.00	0.62	5.12	1.00	1.25	0.53	1/2-20
1K,4K	1.00	3.00	0.62	5.12	1.25	1.25	0.53	1/2-20
5K,10K	1.50	3.75	0.75	6.75	1.50	1.50	0.78	3/4-16
15K,20K	2.00	4.88	1.00	8.88	2.00	2.00	1.03	1"-14

Prices are subject to change without notice. Please call for current prices.

Other items are available from the manufacturers, please call for quote.

13-01 Pollitt Dr Ext
 Fair Lawn NJ 07410
 201-797-2718

Totalcomp
 Components

www.totalcomp.com
 sales@totalcomp.com
 Fax 201-797-2287

Beam

Beam



65083S



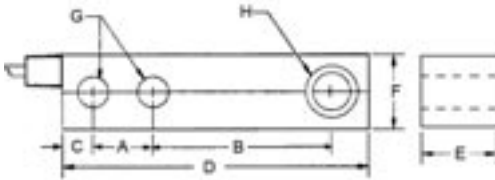
65083S Sensortronics, stainless steel 2 mv/v

Welded seal **stainless steel** cell that is physically but not electrically (2 mv/v rather than 3 mv/v) interchangeable with Sensortronics Model 65023 and RTI Models 5123/9123. White teflon load cell cable, except the 5KSE which has black cable
2 mv/v, 350/350 ohm, 20 ft 4 wire cable, **stainless steel**, IP68.
NTEP Legal for Trade 95-058

Part Number	Capacity	Weight	Stock	List
65083S-1K-5100	1,000 lb	3 lb	2463	\$ 344.85
65083S-1.5K-5100	1,500 lb	3 lb	2464	344.85
65083S-2.5K-5100	2,500 lb	3 lb	2465	344.85
65083S-4K-5100	4,000 lb	3 lb	2466	344.85
65083S-5KSE-5132(black cable)	5,000 lb	3 lb	2683	344.85
65083S-5K-5100	5,000 lb	5 lb	2467	458.76
65083S-10K-5100	10,000 lb	5 lb	2468	458.76

OIML(C) and SS (S) with Metric thread (M)

65083CS-1000kg-3000M	1,000 kg	3 lb	4882	344.85
----------------------	----------	------	------	--------



Dimensions in inches

Capacity	A	B	C	D	E	F	G	H
1K-5KSE	1.00	3.00	0.62	5.12	1.22	1.22	0.53	1/2-20
5K,10K	1.50	3.75	0.75	6.75	1.50	1.50	0.78	3/4-16



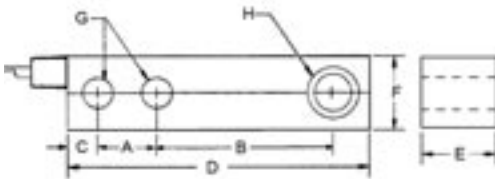
65083



65083 Sensortronics, stainless steel 3 mv/v

Welded seal **stainless steel** cell that is interchangeable with Sensortronics Model 65023 and RTI Models 5123/9123. White teflon load cell cable.
3 mv/v, 350/350 ohm, 20 ft 4 wire cable, **stainless steel**, IP68.

Part Number	Capacity	Weight	Stock	List
65083-1K-0100	1,000 lb	3 lb	3806	\$ 313.50
65083-1.5K-0100	1,500 lb	3 lb	3807	313.50
65083-2.5K-0100	2,500 lb	3 lb	3808	313.50
65083-4K-0100	4,000 lb	3 lb	3809	313.50
65083-5K-0100	5,000 lb	5 lb	3810	422.18
65083-10K-0100	10,000 lb	5 lb	3811	422.18
65083-15K-0100	15,000 lb	9 lb	3812	772.26



Dimensions in inches

Capacity	A	B	C	D	E	F	G	H
1K-5KSE	1.00	3.00	0.62	5.12	1.22	1.22	0.53	1/2-20
5K,10K	1.50	3.75	0.75	6.75	1.50	1.50	0.78	3/4-16
15K-20K	2.00	4.88	1.00	8.75	2.00	2.00	1.06	1"-14

Prices are subject to change without notice. Please call for current prices.

Other items are available from the manufacturers, please call for quote.

Beam

65083H Sensortronics

Hermetically sealed stainless steel cell that is physically but not electrically (2 mv/v rather than 3 mv/v) interchangeable with Sensortronics Model 65023 and RTI Models 5123/9123. Includes a glass thru metal seal at cable entry for true hermetic sealing. 2 mv/v, 350/350 ohm, 20 ft 4 wire cable, stainless steel, IP68. NTEP Legal for Trade 95-058

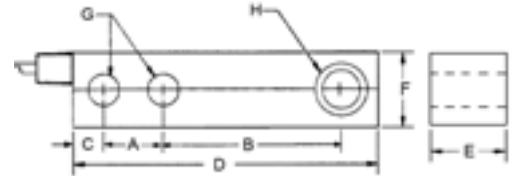
Part Number	Capacity	Weight	Stock	List
65083S-1K-5000H	1,000 lb	3 lb	2305	\$ 462.94
65083S-1.5K-5000H	1,500 lb	3 lb	2306	462.94
65083S-2.5K-5000H	2,500 lb	3 lb	2307	462.94
65083S-4K-5000H	4,000 lb	3 lb	2308	462.94
65083S-5K-5000H	5,000 lb	5 lb	2309	567.44
65083S-10K-5000H	10,000 lb	5 lb	2310	567.44

Dimensions in inches

Capacity	A	B	C	D	E	F	G	H
1K-5KSE	1.00	3.00	0.62	5.12	1.22	1.22	0.53	1/2-20
5K,10K	1.50	3.75	0.75	6.75	1.50	1.50	0.78	3/4-16



65083H



60030 Sensortronics

Used in Electroscale High Impact LC Scale. 3 mv/v, 350/350 ohm, 20 ft 4 wire cable, nickel plated steel, IP67.

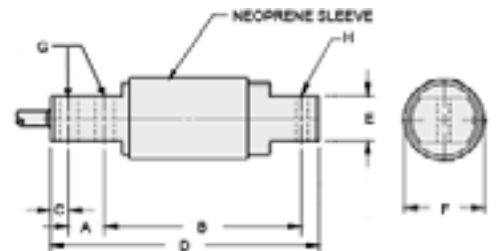
Part Number	Capacity	Weight	Stock	List
60030-50	50 lb	1 lb	393	\$ 447.68

Dimensions in inches

Capacity	A	B	C	D	E	F	G	H
25-300	0.50	2.75	0.25	3.75	0.63	1.12	0.265	0.172



60030



60040 Sensortronics

3 mv/v, 350/350 ohm, 20 ft 4 wire cable, nickel plated steel, IP65.

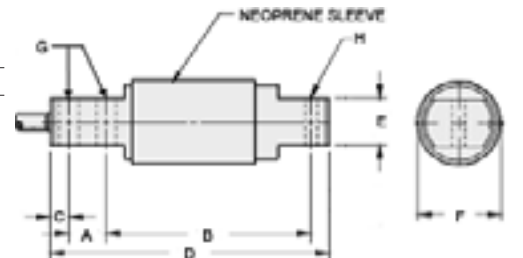
Part Number	Capacity	Weight	Stock	List
60040-25	25 lb	1 lb	105	\$ 377.68
60040-50	50 lb	1 lb	139	357.41
60040-75	75 lb	1 lb	140	256.03
60040-100	100 lb	1 lb	141	253.80
60040-150	150 lb	1 lb	142	251.97
60040-250	250 lb	1 lb	143	251.97
60040-500	500 lb	1 lb	106	256.03

Dimensions in inches

Capacity	A	B	C	D	E	F	G	H
25-500	0.50	1.81	0.25	2.81	0.62	1.13	0.26	0.26



60040



Prices are subject to change without notice. Please call for current prices.

Other items are available from the manufacturers, please call for quote.

13-01 Pollitt Dr Ext
Fair Lawn NJ 07410
201-797-2718

Totalcomp
Components

www.totalcomp.com
sales@totalcomp.com
Fax 201-797-2287

Beam

Beam



TSB

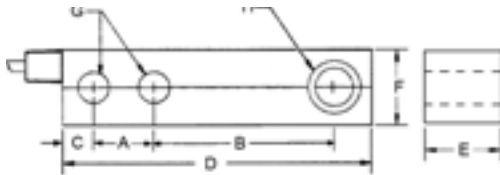


TSB Totalcomp

Interchangeable with Sensortronics 65023 and RTI 5123.
3 mv/v, 0.03% nonlinearity, 350/350 ohm, 20 ft 4 wire cable, nickel plated steel, IP67.
NTEP Legal for Trade 93-123 (1,000 - 10,000 lb)

Part Number	Capacity	Weight	Stock	List
TSB-250 *	250 lb	3 lb	2249	\$ 308.28
TSB-500 *	500 lb	3 lb	2250	308.28
TSB-1K	1,000 lb	3 lb	2251	308.28
TSB-1.5K	1,500 lb	3 lb	2694	308.28
TSB-2K	2,000 lb	3 lb	2252	308.28
TSB-2.5K	2,500 lb	3 lb	2253	308.28
TSB-4K	4,000 lb	3 lb	2254	308.28
TSB-5K-SE	5,000 lb	3 lb	2255	308.28
TSB-5K	5,000 lb	5 lb	2256	391.88
TSB-10K	10,000 lb	5 lb	2257	391.88
TSB-15K *	15,000 lb	9 lb	2258	640.55
TSB-20K-12 *	20,000 lb	9 lb	3998	747.18
TSB-20K-14 *	20,000 lb	9 lb	2259	747.18

* Not NTEP



Dimensions in inches

Capacity	A	B	C	D	E	F	G	H
250,500	1.00	3.00	0.62	5.12	1.00	1.25	0.53	1/2-20
1K,4K, 5KSE	1.00	3.00	0.62	5.12	1.25	1.25	0.53	1/2-20
5K,10K	1.50	3.75	0.75	6.75	1.50	1.50	0.78	3/4-16
15K	2.00	4.88	1.00	8.75	2.00	2.00	1.03	1"-14
20K-12	2.00	4.88	1.00	8.75	2.00	2.00	1.03	1"-12
20K-14	2.00	4.88	1.00	8.75	2.00	2.00	1.03	1"-14



TSB-SS

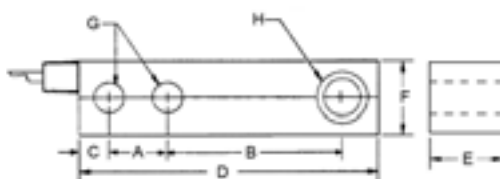


TSB-SS Totalcomp

Interchangeable with Sensortronics 65023-SS and RTI 9123.
3 mv/v, 0.03% nonlinearity, 350/350 ohm, 20 ft 4 wire cable, stainless steel, IP67.
NTEP Legal for Trade 94-019 (1,000 lb - 10,000 lb)

Part Number	Capacity	Weight	Stock	List
TSB-250-SS *	250 lb	3 lb	2260	\$ 339.63
TSB-500-SS *	500 lb	3 lb	2261	339.63
TSB-1K-SS	1,000 lb	3 lb	2262	339.63
TSB-1.5K-SS	1,500 lb	3 lb	2695	339.63
TSB-2K-SS	2,000 lb	3 lb	2263	339.63
TSB-2.5K-SS	2,500 lb	3 lb	2264	339.63
TSB-4K-SS	4,000 lb	3 lb	2265	339.63
TSB-5K-SE-SS	5,000 lb	3 lb	2266	339.63
TSB-5K-SS	5,000 lb	5 lb	2267	433.68
TSB-10K-SS	10,000 lb	5 lb	2268	433.68
TSB-15K-SS *	15,000 lb	9 lb	2269	933.19
TSB-20K-12-SS	20,000 lb	9 lb	3999	933.19
TSB-20K-14-SS *	20,000 lb	9 lb	2270	933.19

* Not NTEP



Dimensions in inches

Capacity	A	B	C	D	E	F	G	H
250,500	1.00	3.00	0.62	5.12	1.00	1.25	0.53	1/2-20
1K,4K, 5KSE	1.00	3.00	0.62	5.12	1.25	1.25	0.53	1/2-20
10K	1.50	3.75	0.75	6.75	1.50	1.50	0.78	3/4-16
15K	2.00	4.88	1.00	8.75	2.00	2.00	1.03	1"-14
20K-12	2.00	4.88	1.00	8.75	2.00	2.00	1.03	1"-12
20K-14	2.00	4.88	1.00	8.75	2.00	2.00	1.03	1"-14

Prices are subject to change without notice. Please call for current prices.

Other items are available from the manufacturers, please call for quote.

TB9523 Totalcomp

Hermetically sealed **stainless steel** cell that is interchangeable with Sensortronics 65023 and RTI 5123/9123.

3 mv/v, 350/350 ohm, 20 ft 4 wire cable, **stainless steel**, IP67.

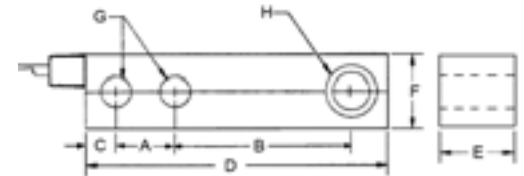
Part Number	Capacity	Weight	Stock	List
TB9523-1K	1,000 lb	3 lb	980	\$ 569.53
TB9523-2.5K	2,500 lb	3 lb	981	569.53
TB9523-4K	4,000 lb	3 lb	982	569.53
TB9523-5K	5,000 lb	5 lb	983	627.00
TB9523-10K	10,000 lb	5 lb	984	653.13

Dimensions in inches

Capacity	A	B	C	D	E	F	G	H
1K-4K	1.00	3.00	1.62	6.12	1.25	1.25	0.53	1/2-20
5K,10K	1.50	3.75	1.71	7.71	1.50	1.50	0.78	3/4-16



TB9523



TBH35 Totalcomp

Hermetically sealed **stainless steel** cell that is interchangeable with Sensortronics Model 65023, RTI Models 5123/9123 and Toledo model 713. The cable color code is different.

3 mv/v, 350/350 ohm, 20 ft 4 wire cable, **stainless steel**, IP67.

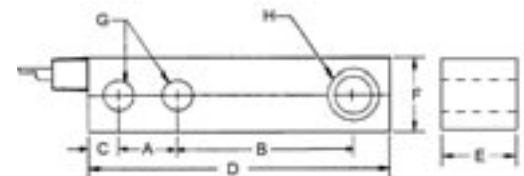
Part Number	Capacity	Weight	Stock	List
TBH35-500-SS	500 lb	3 lb	6181	\$ 338.00
TBH35-1K-SS	1,000 lb	3 lb	134	338.00
TBH35-2.5K-SS	2,500 lb	3 lb	135	338.00
TBH35-4K-SS	4,000 lb	3 lb	136	338.00
TBH35-5K-SE-SS	5,000 lb	4 lb	137	338.00

Dimensions in inches

Capacity	A	B	C	D	E	F	G	H
1K-5KSE	1.00	3.00	0.62	5.12	1.12	1.21	0.53	1/2-20
10K-SS	1.50	3.75	0.62	6.75	1.44	1.44	0.75	3/4-16



TBH35



TB745 Totalcomp

Stainless steel cell that is interchangeable with Toledo beam load cells for 745 mount.

2 mv/v, 350/350 ohm, 30 ft 4 wire cable **stainless steel**, IP67.

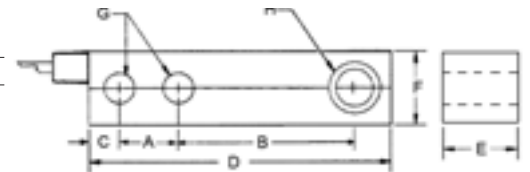
Part Number	Toledo	Capacity	Weight	Stock	List
TB745-500-SS	TB600529	500 lb	3 lb	3072	\$ 462.00
TB745-1K-SS		1,000 lb	3 lb	2105	462.00
TB745-1.25K-SS	TB600363-1	1,250 lb	3 lb	3073	462.00
TB745-2.5K-SS	TB600342-1	2,500 lb	3 lb	3074	462.00
TB745-4K-SS		4,000 lb	3 lb	3075	462.00
TB745-5K-SS	TB600343-1	5,000 lb	4 lb	3076	635.25
TB745-10K-SS	TB600364-1	10,000 lb	6 lb	3077	750.75

Dimensions in inches

Capacity	A	B	C	D	E	F	G	H
500-4K	1.00	3.00	0.62	5.18	1.10	1.19	0.515	0.95
5K-10K	1.50	3.75	0.62	6.65	1.63	1.45	0.780	1.37



TB745



Beam

Beam



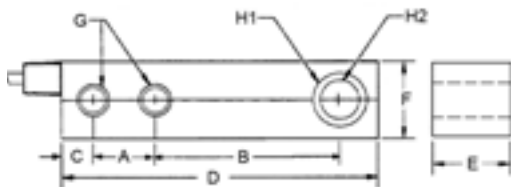
TSB3

TSB3 Totalcomp

Interchangeable with HBM SB3

2 mv/v, 380/350 ohms, 20 ft 4 wire cable. **stainless steel** (1K-10K), nickel plated steel (20K)

Part Number	Capacity	Weight	Stock	List
TSB3-1K	1,000 lb	6 lb	37	\$ 687.23
TSB3-2K	2,000 lb	6 lb	38	687.23
TSB3-5K	5,000 lb	6 lb	39	687.23
TSB3-10K	10,000 lb	12 lb	40	814.28
TSB3-20K	20,000 lb	19 lb	41	1,195.43



Dimensions in inches

Capacity	A	B	C	D	E	F	G	H1	H2
1-5K	2.50	3.87	0.75	8.00	1.88	1.44	0.52	1.19	0.68
10K	2.62	4.87	0.83	9.25	2.75	1.88	0.88	1.63	1.00
20K	3.25	5.50	1.00	11.00	3.25	2.38	1.06	2.01	1.25



TBM4

New Style shown with step (pistol grip)

TBM4 Totalcomp

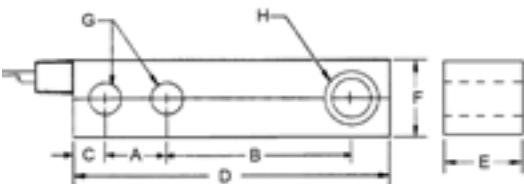
Interchangeable with Toledo®/Masstron ML4000 Series with blind load hole. 12.5" long,

2.75"W, 2.75"H, 3.5" mounting hole spacing, 6.25" load hole spacing.

2 mv/v, 0.03% nonlinearity, 350/350 ohm, 30 ft 4 wire cable, nickel plated steel, IP67.

Part Number	Toledo	Capacity	Weight	Stock	List
TBM4-35K	ML4437	35,000 lb	26 lb	666	\$ 1,829.52
TBM4-45K	ML4447/49	45,000 lb	28 lb	871	1,829.52
TBM42-45K *	13329000B	45,000 lb	28 lb	129	1,829.52

* 2,000 ohm bridge



Dimensions in inches

Capacity	A	B	C	D	E	F	G	H
35K,45K	3.50	6.25	1.25	12.50	2.75	2.75	1.31	1.50

Beam

GB745 Totalcomp

Hermetically sealed stainless steel cell that is interchangeable with Toledo beam load cells for 745 mount.

2 mv/v, 350/350 ohm, 30 ft 4 wire cable stainless steel, IP67.

Part Number	Toledo	Capacity	Weight	Stock	List
GB745-500-SS	TB600529	500 lb	3 lb	7946	\$ 384.62
GB745-1K-SS		1,000 lb	3 lb	7947	384.62
GB745-1.25K-SS	TB600363-1	1,250 lb	3 lb	7948	384.62
GB745-2.5K-SS	TB600342-1	2,500 lb	3 lb	7949	384.62
GB745-4K-SS		4,000 lb	3 lb	7950	384.62
GB745-5K-SS	TB600343-1	5,000 lb	4 lb	7951	406.56
GB745-10K-SS	TB600364-1	10,000 lb	6 lb	7952	604.07

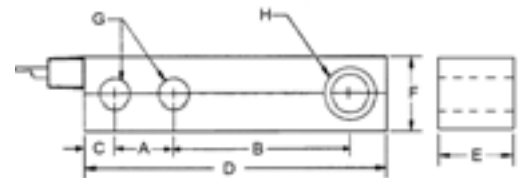


GB745

Beam

Dimensions in inches

Capacity	A	B	C	D	E	F	G	H
500-4K	1.00	3.00	0.62	5.18	1.10	1.19	0.515	0.95
5K-10K	1.50	3.75	0.62	6.65	1.63	1.45	0.780	1.37



TB2 Totalcomp

Interchangeable with Toledo® beam load cells for 1985/2095/2155/2885 platforms.

2 mv/vS, 440/450 ohm, 15 ft 4 wire cable, stainless steel, IP67.

Part Number	Toledo®	Capacity	Weight	Stock	List
Replacement for Toledo® 2095 platform.					
TB2-100-SS	11102200A	100 lb	4 lb	1457	\$ 628.90
TB2-200-SS	11103500A	200 lb	4 lb	1458	628.90
TB2-250-SS		250 lb	4 lb	4473	628.90
TB2-300-SS		300 lb	4 lb	4474	628.90

Replacement for Toledo® 2155 & 2885 low profile platforms.

TB2-500-SS	11785600A (2155) 12744300B (2885)	500 lb	4 lb	1459	628.90
TB2-1K-SS	11786900A	1,000 lb	4 lb	1460	628.90
TB2-2K-SS	11788500A	2,000 lb	4 lb	1461	628.90

Mounting hardware

Bearing cup and ball for TB2 beam			1 lb	1474	66.60
Conical load button for TB2 beam			1 lb	708	83.33



TB2

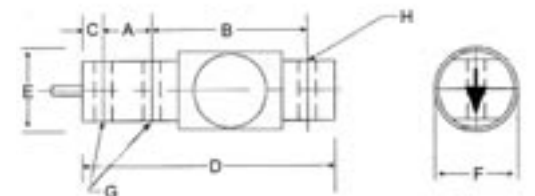


Conical Load Button
100-300 lb

TB2-TB3
Bearing cup
and 7/8" dia ball
500-2K SS

Dimensions in inches

Capacity	A	B	C	D	E	F	G	H
100, 300	2.00	2.45	0.50	5.37	1.00	1.00	0.53	0.19
500-2K	1.00	4.00	0.50	6.13	1.75	1.75	0.53	1/2-20



Prices are subject to change without notice. Please call for current prices.

Other items are available from the manufacturers, please call for quote.

13-01 Pollitt Dr Ext
Fair Lawn NJ 07410
201-797-2718

Totalcomp
Components

www.totalcomp.com
sales@totalcomp.com
Fax 201-797-2287

Beam

Beam

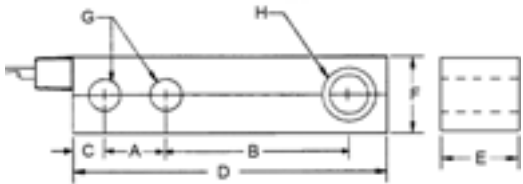


TB743

TB743 Totalcomp

Interchangeable with Toledo® beam load cells for 743 Flexmount.
2 mv/v, 350/350 ohm, 20 ft 4 wire cable, **stainless steel**, IP67

Part Number	Toledo	Masstron	Capacity	Weight	Stock	List
TB743-1K	13136900C	ML4311	1,000 lb	6 lb	2910	\$ 889.35
TB743-3K	13079300C	ML4331	3,000 lb	6 lb	2911	889.35
TB743-5K	13078900C	ML4350	5,000 lb	6 lb	2912	889.35
TB743-10K	13078400C	ML4410	10,000 lb	9 lb	2913	1,111.11
TB743-20K	13077500C	ML4420	20,000 lb	18 lb	2914	1,111.11
TB743-45K	0743	ML4437	45,000 lb	24 lb	2954	1,842.23



Dimensions in inches

Capacity	A	B	C	D	E	F	G	H
1K-5K	2.500	3.880	0.620	7.993	1.450	1.463	0.500	1.200
10K	2.625	4.860	0.754	9.250	2.059	1.702	0.767	1.480
20K	3.250	5.419	1.035	11.000	2.375	2.335	1.036	1.835
45K	3.500	6.250	1.250	12.500	3.250	2.750	1.310	1.500

Prices are subject to change without notice. Please call for current prices.

Other items are available from the manufacturers, please call for quote.

Beam

TZ6 Totalcomp

Hermetically sealed. Interchangeable with HBM Z6, RTI SHB, Tedeo DC6, Cardinal CB6, Toledo model 777.
2 mv/v, 380/350 ohms, 3 m 6 wire cable, **stainless steel**, IP68.

Part Number	Toledo	Capacity	Nominal	Weight	Stock	List
TZ6-5	TB600654-030	5 kg	10 lb	2 lb	2813	\$ 406.51
TZ6-10	TB600655-030	10 kg	20 lb	2 lb	2814	406.51
TZ6-20	TB600656-030	20 kg	40 lb	2 lb	2815	406.51
TZ6-50	TB600657-030	50 kg	100 lb	2 lb	2816	406.51
TZ6-100	TB600658-030	100 kg	200 lb	2 lb	2817	406.51
TZ6-200	083298-020	200 kg	400 lb	2 lb	2818	406.51
TZ6-250		250 kg	500 lb	2 lb	2819	406.51

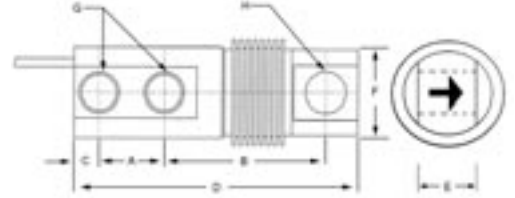
Dimensions in inches

Capacity	A	B	C	D	E	F	G	H
5-250kg	0.71	3.23	0.24	4.56	0.79	1.06	0.32	0.32



Beam

TZ6



Beam

Beam



5123



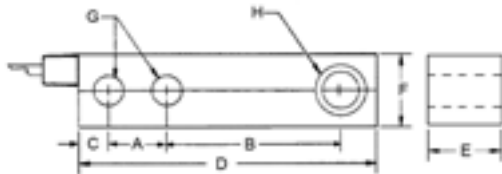
5123 Revere

Interchangeable with Sensortronics Model 65023.

3 mv/v, 0.03% nonlinearity, 350/350 ohm, 20 ft 4 wire cable, nickel plated steel.

NTEP Legal for Trade 86-037

Part Number	Capacity	Weight	Stock	List
5123-1K	1,000 lb	3 lb	643	\$ 295.00
5123-2.5K	2,500 lb	3 lb	644	295.00
5123-4K	4,000 lb	3 lb	645	295.00
5123-5K	5,000 lb	4 lb	646	349.00
5123-10K	10,000 lb	5 lb	647	349.00



Dimensions in inches

Capacity	A	B	C	D	E	F	G	H
1K,4K	1.00	3.00	0.62	5.12	1.23	1.23	0.53	1/2-20
5K,10K	1.50	3.75	0.75	6.75	1.45	1.45	0.78	3/4-16



9123



9123 Revere

Interchangeable with Sensortronics Model 65023.

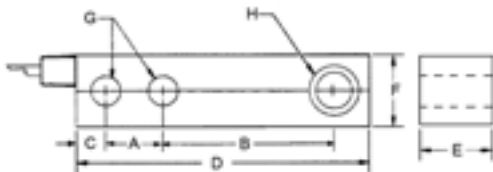
3 mv/v, 0.03% nonlinearity, 350/350 ohm, 20 ft 4 wire cable, stainless steel.

NTEP Legal for Trade 00-001

Part Number	Capacity	Weight	Stock	Price
9123-250-SS *	250 lb	3 lb	1213	\$ 298.00
9123-500 -SS*	500 lb	3 lb	1214	298.00
9123-1K -SS*	1,000 lb	3 lb	1206	298.00
9123-1.5K-SS *	1,500 lb	3 lb	1215	298.00
9123-2.5K-SS	2,500 lb	3 lb	1207	298.00
9123-4K-SS	4,000 lb	3 lb	1208	298.00
9123-5KSE-SS	5,000 lb	4 lb	1216	298.00
9123-5K-SS	5,000 lb	5 lb	1209	359.00
9123-10K-SS	10,000 lb	5 lb	1210	359.00
9123-15K-SS **	15,000 lb	9 lb	1217	877.00
9123-20K-SS **	20,000 lb	9 lb	1218	922.00

* Not NTEP

** Different physical size than 65023



Dimensions in inches

Capacity	A	B	C	D	E	F	G	H
1K,4K	1.00	3.00	0.62	5.12	1.23	1.23	0.53	1/2-20
5K,10K	1.50	3.75	0.75	6.75	1.45	1.45	0.78	3/4-16
20K	2.00	4.88	1.00	8.75	2.00	2.00	1.06	1-12

Prices are subject to change without notice. Please call for current prices.

Other items are available from the manufacturers, please call for quote.

Beam

Beam

ACB Revere

2 mv/v, 1000/1000 ohms, 3m 6 wire. cable for 500kg and 1 t, 6m 6 wire. cable for 2t and 5t, stainless steel, IP68.

Part Number	Capacity	Weight	Stock	List
ACB-C3-500k-01X	500 kg	5 lb	144	\$ 568.48
ACB-C3-001T-01X	1 t	5 lb	145	568.48
ACB-C3-002T-01X	2 t	5 lb	146	568.48
ACB-C3-5.0T-SC	5 t	5 lb	147	568.48



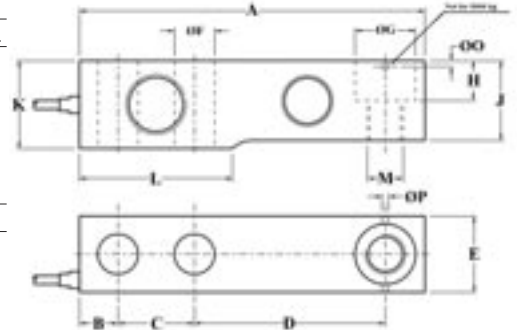
ACB

Dimensions in inches

Capacity	A	B	C	D	E	ØF	ØG	H	J
500K	5.11	0.61	1.00	3.00	1.25	0.51	0.80	0.55	1.02
1t	5.11	0.61	1.00	3.00	1.25	0.51	0.80	0.55	1.10
2t	5.11	0.61	1.00	3.00	1.25	0.51	0.80	0.55	1.25
5t	6.77	0.75	1.50	3.75	1.49	0.80	1.18	0.78	1.57

Dimensions in inches continued

Capacity	K	L	M	ØO	ØP
500K-1t	1.25	2.24	M12	3.00	3.20
2t	1.40	2.24	M12	3.00	3.20
5t	1.73	3.00	M20	3.00	3.20



5102 Revere

2 mv/v, 350/350 ohm, 10 ft 4 wire cable, nickel plated steel, IP67

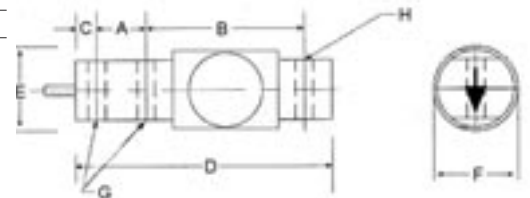
Part Number	Capacity	Weight	Stock	List
5102-50	50 lb	2 lb	523	\$ 857.95
5102-100	100 lb	2 lb	524	857.95
5102-200	200 lb	2 lb	525	857.95
5102-500	500 lb	2 lb	526	857.95
5102-1K	1,000 lb	2 lb	527	1,006.34
5102-2.5K	2,500 lb	3 lb	528	654.14



5102

Dimensions in inches

Capacity	A	B	C	D	E	F	G	H
50-200	0.62	3.50	0.38	5.00	1.23	1.25	0.27	0.39
500-1000	1.00	3.25	0.62	5.38	1.23	1.25	0.41	0.41
2500	1.00	3.25	0.62	5.38	1.23	1.25	0.41	0.53
5000-10,000	1.75	4.03	0.75	7.28	1.70	1.75	0.66	0.78



Prices are subject to change without notice. Please call for current prices.

Other items are available from the manufacturers, please call for quote.

13-01 Pollitt Dr Ext
Fair Lawn NJ 07410
201-797-2718

Totalcomp
Components

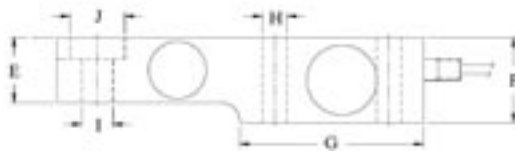
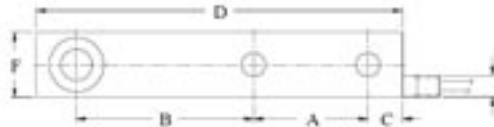
www.totalcomp.com
sales@totalcomp.com
Fax 201-797-2287

Beam

Beam



SSB



SSB Revere

Hermetically sealed. Interchangeable with HBM Model SB3 and Nikkei NSSB.
2 mv/v, 350/350 ohm, 15 ft 4 wire cable, **stainless steel**, IP68
NTEP Legal for Trade 86-041

Part Number	Capacity	Weight	Stock	List
SSB-1K	1,000 lb	6 lb	478	\$ 962.45
SSB-2K	2,000 lb	6 lb	479	962.45
SSB	5,000 lb	6 lb	480	962.45
SSB-10K	10,000 lb	12 lb	481	1,133.83

Dimensions in inches

Capacity	A	B	C	D	E	F	G	H	I	J
5-2K	2.50	3.87	0.75	8.00	1.44	1.44	4.00	0.55	0.69	1.19
5K	2.63	0.50	0.81	9.25	1.87	2.75	4.38	0.87	1.00	1.63



9563

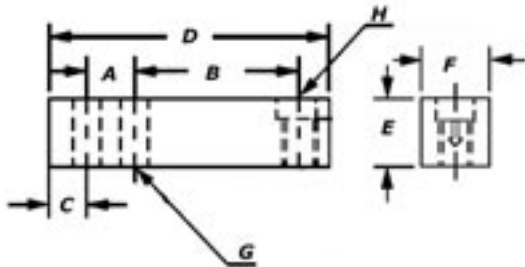
9523 Revere

Hermetically sealed, **stainless steel**.
3 mv/v, 350/350 ohms, 20 ft 4 wire. cable, **stainless steel**, IP68.

Part Number	Capacity	Weight	Stock	List
9523-1K	1,000 lb	3 lb	1281	\$ 569.53
9523-2.5K	2,500 lb	3 lb	1282	569.53
9523-4K	4,000 lb	3 lb	1283	569.53
9523-5K	5,000 lb	5 lb	1284	627.00
9523-10K	10,000 lb	5 lb	1285	653.13

Dimensions in inches

Capacity	A	B	C	D	E	F	G	H
1K-4K	1.00	3.00	1.62	6.12	1.25	1.25	.53	.81
5K-10k	1.50	3.75	1.71	7.71	1.50	1.50	.78	1.19



Beam

SHB Revere NTEP

2mv/v, 460/350 ohms, 3m 4 wire. cable, fully welded **stainless steel**, IP68.
NTEP Legal for Trade

Part Number	Capacity	Weight	Stock	List
00SHB-010k-B1-00N*	10 kg	2 lb	3299	\$ 447.26
00SHB-020k-B1-00N	20 kg	2 lb	3300	447.26
00SHB-030k-B1-00N	30 kg	2 lb	3301	447.26
00SHB-050k-B1-00N	50 kg	2 lb	3302	407.55
00SHB-100k-B1-00N	100 kg	2 lb	3303	407.55
00SHB-200k-B1-00N	200 kg	2 lb	3304	407.55
00SHB-350k-B1-00N	350 kg	4 lb	3305	407.55
00SHB-500k-B1-00N	500 kg	4 lb	3306	407.55

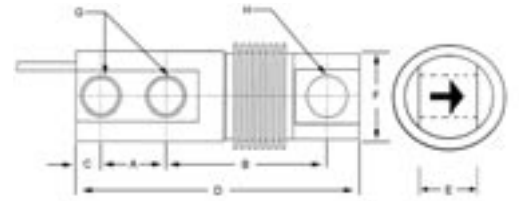
*not NTEP

Dimensions in inches

Capacity	A	B	C	D	E	F	G	H	I
7.2-72 kg	5.12	0.47	1.24	4.17	0.47	0.59	13.78	4 x M6	2.16



SHB NTEP



SHB Revere OIML

2mv/v, 460/350 ohms, 3m 4 wire. cable, fully welded **stainless steel**, IP68..

Part Number	Capacity	Weight	Stock	List
00SHB-010k-C3-01X*	10 kg	2 lb	3339	\$ 447.26
00SHB-020k-C3-01X	20 kg	2 lb	3340	447.26
00SHB-030k-C3-00X	30 kg	2 lb	3341	447.26
00SHB-050k-C3-01X	50 kg	2 lb	3342	407.55
00SHB-100k-C3-01X	100 kg	2 lb	3343	407.55
00SHB-200k-C3-01X	200 kg	2 lb	3344	407.55
00SHB-350k-C3-01X	350 kg	4 lb	3345	407.55
00SHB-500k-C3-01X	500 kg	4 lb	3306	407.55

Dimensions in inches

Capacity	A	B	C	D	E	F	G	H	I
7.2-72 kg	5.12	0.47	1.24	4.17	0.47	0.59	13.78	4 x M6	2.16



SHB OIML

5723 Revere

3 mv/v, 350/350 ohm, 20 ft 4 wire cable, nickel plated steel, IP67

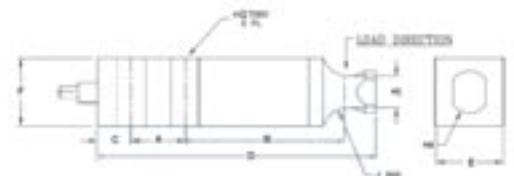
Part Number	Capacity	Weight	Stock	List
5723-2.5K	2,500 lb	3 lb	1411	\$ 287.38
5723-4K	4,000 lb	3 lb	1416	351.12

Dimensions in inches

Capacity	A	B	C	D	E	F	G	J	K	M
25k-4k	1.00	3.00	0.62	5.12	1.23	1.23	0.53	0.50	0.56	0.75



5723



Prices are subject to change without notice. Please call for current prices.

Other items are available from the manufacturers, please call for quote.

13-01 Pollitt Dr Ext
Fair Lawn NJ 07410
201-797-2718

Totalcomp
Components

www.totalcomp.com
sales@totalcomp.com
Fax 201-797-2287

Beam

Beam



3410



3410 Tedeo Half Thread Half Plain load hole

Interchangeable with Sensortronics 65023 and RTI 5123.
3 mv/v, 380/350 ohm, 10 ft 6 wire cable, nickel plated steel.
NTEP Legal for Trade 89-053

Part Number	Capacity	Weight	Stock	List
Thru load hole				
3410-1000	1,000 lb	3 lb	2348	\$ 302.01
3410-2500	2,500 lb	3 lb	2350	302.01
3410-4000-Metric	4,000 lb	3 lb	2347	302.01
Stainless steel				
3410-1500-Metric	1,500 lb	4 lb	1821	319.77



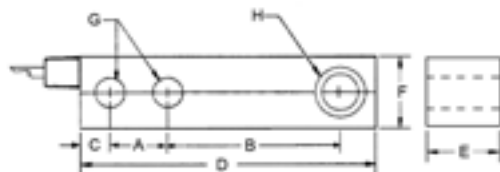
3411



3411 Tedeo Full Thread load hole

Interchangeable with Sensortronics 65023 and RTI 5123.
3 mv/v, 380/350 ohm, 10 ft 6 wire cable, nickel plated steel.
NTEP Legal for Trade 89-053

Part Number	Capacity	Weight	Stock	List
Threaded load hole				
3411-1000	1,000 lb	3 lb	1814	\$ 269.61
3411-1500	1,500 lb	3 lb	1815	269.61
3411-2500	2,500 lb	3 lb	1816	269.61
3411-4000	4,000 lb	3 lb	1817	269.61
Stainless steel				
3411-1500	1,500 lb	4 lb	1818	500.56



Dimensions in inches

Capacity	A	B	C	D	E	F	G	H
3410/3411	1.00	3.00	0.62	5.12	1.24	1.24	0.53	1/2-20
3420/3421	1.50	3.75	0.75	6.75	1.49	1.49	0.78	3/4-16

Prices are subject to change without notice. Please call for current prices.

Other items are available from the manufacturers, please call for quote.

Beam

3420 Tedea Half Thread Half Plain load hole

Interchangeable with Sensortronics 65023 and RTI 5123.
3 mv/v, 380/350 ohm, 10 ft 6 wire cable, nickel plated steel, IP67
NTEP Legal for Trade 89-053

Part Number	Capacity	Weight	Stock	List
Thru load hole				
3420-5K	5,000 lb	4 lb	1783	\$ 385.61
3420-7.5K	7,500 lb	4 lb	1784	385.61
3420-10K	10,000 lb	4 lb	1785	445.17



3420



Beam

3421 Tedea Full Thread load hole

Interchangeable with Sensortronics 65023 and RTI 5123.
3 mv/v, 380/350 ohm, 10 ft 6 wire cable, nickel plated steel, IP67
NTEP Legal for Trade 89-053

Part Number	Capacity	Weight	Stock	List
Threaded load hole				
3421-5K	5,000 lb	4 lb	1859	\$ 448.31
3421-10K	10,000 lb	4 lb	1786	433.68

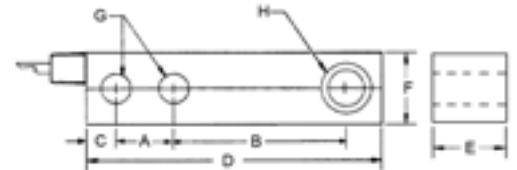


3421



Dimensions in inches

Capacity	A	B	C	D	E	F	G	H
3410/3411	1.00	3.00	0.62	5.12	1.24	1.24	0.53	1/2-20
3420/3421	1.50	3.75	0.75	6.75	1.49	1.49	0.78	3/4-16



Prices are subject to change without notice. Please call for current prices.

Other items are available from the manufacturers, please call for quote.

13-01 Pollitt Dr Ext
Fair Lawn NJ 07410
201-797-2718


Components

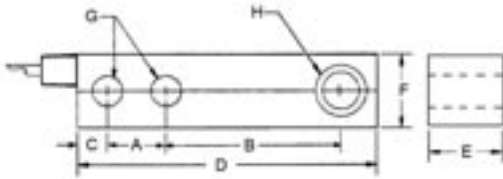
www.totalcomp.com
sales@totalcomp.com
Fax 201-797-2287

Beam

Beam



3510
Stainless steel



3510 Tedea full thread

Hermetically sealed stainless steel cell that is interchangeable with Sensortronics 65023 and RTI 5123/9123.
3 mv/v, 380/350 ohm, 5 m 6 wire cable, **stainless steel**.
NTEP Legal for Trade 96-000

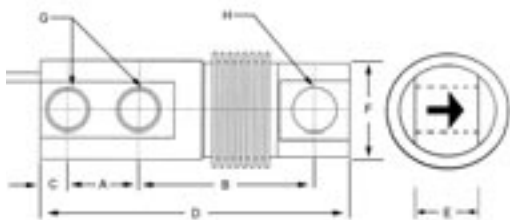
Part Number	Capacity	Weight	Stock	List
Threaded load hole				
3510-G-1000 lb threaded	1,000 lb	3 lb	2112	\$ 500.56
3510-G-1500 lb threaded	1,500 lb	3 lb	2113	500.56
3510-G-2500 lb threaded	2,500 lb	3 lb	2114	500.56
3510-G-4000 lb threaded	4,000 lb	4 lb	2115	500.56
Thru load hole				
3510-G-1000 lb thru	1,000 lb	3 lb	2401	448.31
3510-G-1500 lb thru	1,500 lb	3 lb	2402	448.31
3510-G-2500 lb thru	2,500 lb	3 lb	2403	448.31
3510-G-4000 lb thru	4,000 lb	4 lb	2404	448.31

Dimensions in inches

Capacity	A	B	C	D	E	F	G	H
300-2K	1.00	3.00	0.62	5.12	1.25	1.25	0.530	M12
5K	1.50	3.75	0.75	6.75	1.88	1.44	0.087	M20



355



355 Tedea

Hermetically sealed. Interchangeable with HBM Z6, RTI SHB, Tedea DC6, Cardinal CB6.
2 mv/v, 380/350 ohms, 3 m 6 wire cable, **stainless steel**, IP68

Part Number	Capacity	Nominal	Weight	Stock	List
355-5kg	5 kg	10 lb	2 lb	7021	\$ 322.91
355-10kg	10 kg	20 lb	2 lb	4669	322.91
355-20kg	20 kg	40 lb	2 lb	4670	322.91
355-30kg	30 kg	60 lb	2 lb	4671	322.91
355-50kg	50 kg	100 lb	2 lb	4672	322.91
355-100kg	100 kg	200 lb	2 lb	4673	322.91
355-200kg	200 kg	400 lb	2 lb	4674	465.76
355-250kg	250 kg	500 lb	2 lb	4675	322.91
355-500kg	500 kg	1,000 lb	2 lb	4676	322.91

Dimensions in inches

Capacity	A	B	C	D	E	F	G	H
5kg	0.71	3.23	0.39	4.72	0.79	0.91	0.32	0.32
10kg	0.71	3.23	0.39	4.72	0.79	0.91	0.32	0.32
20kg	0.71	3.23	0.39	4.72	0.79	0.91	0.32	0.32
30kg	0.71	3.23	0.39	4.72	0.79	0.91	0.32	0.32
50kg	0.71	3.23	0.39	4.72	0.79	0.91	0.32	0.32
100kg	0.71	3.23	0.39	4.72	0.79	0.91	0.32	0.32
200kg	0.71	3.23	0.39	4.72	0.79	0.91	0.32	0.32
250kg	0.71	3.23	0.39	4.72	0.79	0.91	0.32	0.32
500kg	0.71	3.23	0.39	4.72	0.79	0.91	0.32	0.32

Prices are subject to change without notice. Please call for current prices.

Other items are available from the manufacturers, please call for quote.

Beam

H35 HBM

Hermetically sealed stainless steel. Interchangeable with Toledo model 713 and 793.
3 mv/v, 350/350 ohm, 20 ft 4 wire cable, **stainless steel**, IP68.

Part Number	Capacity	Weight	Stock	List
1-H35AN5/500-1-SS	500 lb	3 lb	7851	\$ 338.00
1-H35AN5/1K-1-SS	1,000 lb	3 lb	7852	338.00
1-H35AN5/2.5K-1-SS	2,500 lb	3 lb	7853	338.00
1-H35AN5/4K-1-SS	4,000 lb	3 lb	7854	338.00
1-H35AN5/5K-1-SE-SS	5,000 lb	3 lb	7855	338.00

Dimensions in inches

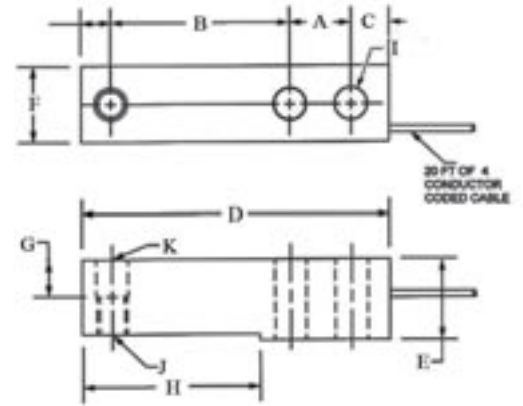
Capacity	A	B	C	D	E	F	G	H
500-5K	1.00	3.00	0.50	5.12	1.19	1.21	0.62	2.85
10K-SS	1.50	3.75	0.62	6.75	1.44	1.44	0.53	3.75

Dimensions in inches

Capacity	I	J	K
500-5K	0.53	1/2-20	0.53
10K	0.78	3/4-16	0.78



H35



Beam

BBS HBM

Interchangeable with BLH Model LBG1. Same as Model BBS1, BBS2 and BBS2F. The boot is filled with an insulating grease.

FM Approved.

2 mv/v, 810/750 ohm (50-1K), 375/350 ohm (2.5K-7.5K), 10 ft 4 wire cable, nickel plated steel.

NTEP Legal for Trade 87-087.

Part Number	Capacity	Weight	Stock	List
BBS-50-10121	50 lb	2 lb	483	\$1,237.00
BBS-100-10121	100 lb	3 lb	484	910.00
BBS-200-10121	200 lb	3 lb	475	910.00
BBS-250-10121	250 lb	3 lb	485	877.00
BBS-500-10121	500 lb	3 lb	486	877.00
BBS-1K-10121	1,000 lb	3 lb	487	877.00

Note: BBS-1KLE is replaced with NBB-1KLE Stock 1900.

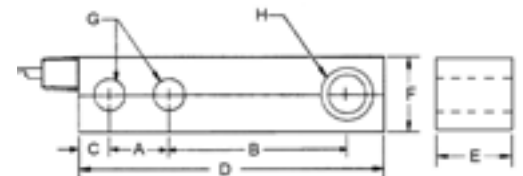
BBS-2.5K is replaced with NBB 2.5K Stock 1901.

Dimensions in inches

Capacity	A	B	C	D	E	F	G	H
50,100	0.88	4.25	0.38	6.00	1.06	1.38	0.31	0.31
200-1K	1.12	4.25	0.50	6.66	1.06	1.38	0.51	0.51



BBS

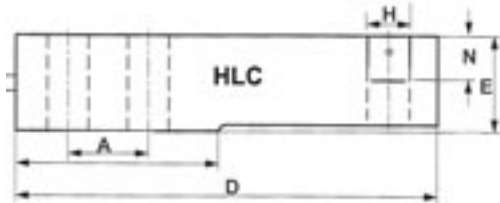


Beam

Beam



HLC



HLC-B1 HBM Conterbore & Thread load hole

Hermetically sealed, low overall height.
1.94 mv/v, 350-480/350 ohm, **Stainless Steel**, IP68
6 wire cable, 220 & 550kg 3m, 2.2t 6m

Part Number	Capacity	Weight	Stock	List
1-HLC-B1-C3/220kg-1	220 kg	2.62 lb	8419	\$ 747.00
1-HLC-B1-C3/550kg-1	550 kg	2.62 lb	8420	722.00
1-HLC-B1-C3/1.1t	1.1 t	2.62 lb	8356	722.00
1-HLC-B1-C3/1.76t	1.76 t	2.62 lb	8357	722.00
1-HLC-B1-C3/2.2t	2.2 t	2.62 lb	8418	710.00
1-HLC-B1-C3/4.4t	4.4 t	6 lb	8358	952.00

Dimensions in inches

Capacity	A	D	E	H	N
220K-550K	1.00	5.25	1.18	M12	0.56
2.2t	1.50	6.75	1.43	M20	0.67

Cable lengths

220kg to 1.76t = 3m
2.2t to 10t = 6m



HLC-A1 HBM Thread through load hole

Hermetically sealed, low overall height.
1.94 mv/v, 350-480/350 ohm, **Stainless Steel**, IP68
6 wire cable, 220 & 550kg 3m, 2.2t 6m

Part Number	Capacity	Weight	Stock	List
1-HLC-A1-C3/2201KG-1t	220 kg	2.62 lb	668	\$ 747.00
1-HLC-A1-C3/550kg-1	550 kg	2.62 lb	669	722.00
1-HLC-A1-C3/1.1T-1	1.1 t	2.62 lb	670	722.00
1-HLC-A1-C3-1.76T-1	1.76 t	2.62 lb	671	722.00
1-HLC-A1-C3-2.2T	2.2 t	2.62 lb	672	710.00
1-HLC-A1-C3-4.4T	4.4 t	6 lb	673	952.00

Beam

BLC HBM

Matched outputs. Nameplate on cell shows 1.5 mv/v at half capacity.
 Interchangeable with Airway AW200, Toledo 713 and Fairbanks 357416.
 3 mv/v, 1000/1000 ohm, 17-4 **stainless steel**. IP67.
 10 ft 4 wire cable - 500 lb, 1K, 2.5K, 4K ; 20 ft 4 wire cable - 5K, 10K.

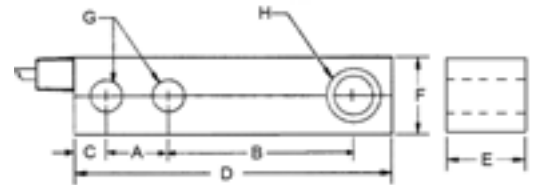
Part Number	Capacity	Toledo	Weight	Stock	List
Threaded load hole					
BLC-1.25K-10531 (2.5K)	2,500 lb	8476008020	3 lb	955	\$ 350.00

Dimensions in inches

Capacity	A	B	C	D	E	F	G	H
250	1.0	3.00	0.645	5.25	1.19	1.21	0.375	1/2-20
500-4K	1.0	3.00	0.645	5.25	1.19	1.21	0.520	1/2-20
5K	1.5	3.75	0.745	6.75	1.44	1.45	0.780	3/4-16
10K	1.5	3.75	0.745	6.75	1.69	1.69	0.780	3-4-16



BLC
Beam Cell-SS



Beam

Prices are subject to change without notice. Please call for current prices.

Other items are available from the manufacturers, please call for quote.

13-01 Pollitt Dr Ext
 Fair Lawn NJ 07410
 201-797-2718

 **Totalcomp**
 Components

www.totalcomp.com
 sales@totalcomp.com
 Fax 201-797-2287

Beam

Beam



B35

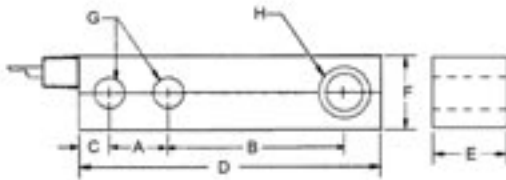


B35 HBM

Close interchange with Sensortronics 65023-SS, RTI 9123 and Toledo 713. The height of this cell is 3/8" shorter than the 65023 or the 9123.
3 mv/v, 350/350 ohm, 20 ft 4 wire cable, **stainless steel**.
NTEP Legal for Trade 88-278

Part Number	Toledo	Capacity	Weight	Stock	List
1-B35AN5/2K-1	TB-600832-020	2,000 lb	3 lb	4342	\$ 307.00
1-B35AN5/10K-2	084753020	10,000 lb	5 lb	4347	446.00

Dimensions in inches



Capacity	A	B	C	D	E	F	G	H
250,500	1.00	3.00	0.62	5.12	0.93	1.21	0.53	1/2-20
1K-5K	1.00	3.00	0.62	5.12	1.12	1.21	0.53	1/2-20
10K	1.50	3.75	0.75	6.75	1.34	1.44	0.78	3/4-16



Z7A



Z7A HBM

2 mv/v, 350/356 ohm, 6m 6 wire cable, nickle plated galvanized steel, IP67.
OIML Legal for Trade

Part Number	Capacity	Weight	Stock	List
1-Z7AD1/500KG	500 kg	5 lb	2458	\$ 2,230.00
1-Z7AD1/1T	1,000 kg	5 lb	2459	2,230.00
1-Z7AD1/2T	2,000 kg	5 lb	2460	2,230.00
1-Z7AD1/5T	5,000 kg	10 lb	2461	2,795.00
1-Z7AD1/10T	10,000 kg	16 lb	2462	3,737.00

Prices are subject to change without notice. Please call for current prices.

Other items are available from the manufacturers, please call for quote.

Z6 HBM

Hermetically sealed, low profile, stainless steel bellows and element make this cell ideal for harsh or caustic environments as well as washdown applications.
 2 mv/v, 350/350 ohms & 380/350 ohms, 10 ft 6 wire cable, **stainless steel** IP68.
 NTEP Legal for Trade 99-005

Part Number	Capacity	Nominal	Weight	Stock	List
OIML Class C3 3,000 div					
1-Z6FC3-10KG-1	10 kg	20 lb	2 lb	2798	\$ 670.00
1-Z6FC3-20KG-1	20 kg	40 lb	2 lb	2799	705.00
1-Z6FC3-30KG-1	30 kg	60 lb	1.95 lb	4467	735.00
1-Z6FC3-50KG-1	50 kg	100 lb	2 lb	2800	670.00
1-Z6FC3-100KG-1	100 kg	200 lb	2 lb	2801	670.00
1-Z6FC3-200KG-1	200 kg	400 lb	2 lb	2802	670.00
1-Z6FC3-500-KG-1	500 kg	1,000 lb	2 lb	2803	670.00
1-Z6FC3-1T-1	1 t	2,000 lb	6 lb	2804	1,464.00
OIML Class D1 1,000 div					
1-Z6FD1-5KG-1	5 kg	10 lb	1.95 lb	2797	926.00
1-Z6FD1-10KG-1	10 kg	20 lb	1.95 lb	4465	875.00
1-Z6FD1-20KG-1	20 kg	40 lb	1.95 lb	4466	785.00
1-Z6FD1-50KG-1	50 kg	100 lb	1.95 lb	4468	785.00
1-Z6FD1-100KG-1	100 kg	200 lb	1.95 lb	4469	785.00
1-Z6FD1-200KG-1	200 kg	400 lb	1.95 lb	4470	785.00
1-Z6FD1-500-KG-1	500 kg	1,000 lb	1.95 lb	4471	785.00
1-Z6FD1-1T-1	1 t	2,000 lb	6 lb	4472	1,427.00
Smooth cover, welded, easy to clean					
1-Z6RAC3-50KG-1	50 kg	100 lb	2.07 lb	2828	1,165.00

Dimensions in inches

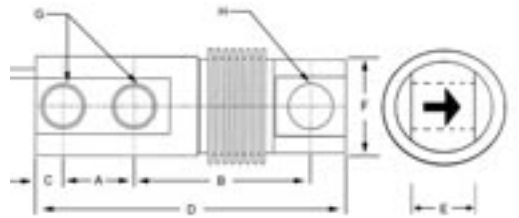
Capacity	A	B	C	D	E	F	G	H
5-200kg	0.71	3.23	0.24	4.56	0.79	1.06	0.32	0.32
500kg	0.71	3.23	0.24	4.56	0.79	1.06	0.41	0.44
1t	1.57	5.24	0.59	8.27	0.98	1.57	0.51	0.44



Z6



Z6R



Prices are subject to change without notice. Please call for current prices.

Other items are available from the manufacturers, please call for quote.

13-01 Pollitt Dr Ext
 Fair Lawn NJ 07410
 201-797-2718

Totalcomp
 Components

www.totalcomp.com
 sales@totalcomp.com
 Fax 201-797-2287

Beam

Beam



DSB

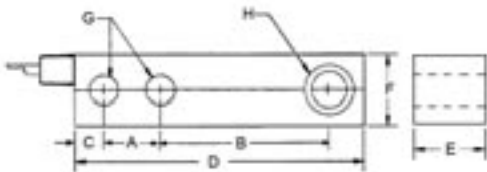
DSB Diamond

Interchangeable with Sensortronics Model 65023 and Revere Model 5123.
3 mv/v, 390/350 ohm, 20 ft 4 wire cable, nickel plated steel.

Part Number	Capacity	Weight	Stock	List
DSB-500	500 lb	3 lb	7292	\$ 155.93
DSB-1K	1,000 lb	3 lb	7293	155.93
DSB-1.5K	1,500 lb	3 lb	7294	155.93
DSB-2K	2,000 lb	3 lb	7295	155.93
DSB-2.5K	2,500 lb	3 lb	7296	155.93
DSB-4K	4,000 lb	3 lb	7297	155.93
DSB-5KSE	5,000 lb	3 lb	7298	155.93
DSB-5K	5,000 lb	5 lb	7299	212.52
DSB-10K	10,000 lb	5 lb	7300	212.52
DSB-20K	20,000 lb	9 lb	7326	340.72

Dimensions in inches

Capacity	A	B	C	D	E	F	G	H
500-5KSE	1.00	3.00	0.60	5.12	1.25	1.25	0.53	1/2-20
5K,10K	1.50	3.75	0.75	6.75	1.50	1.50	0.78	3/4-16
20K	2.00	4.88	1.00	8.75	2.00	2.00	1.03	1-14



DSB-M Diamond, metric

Interchangeable with the metric Sensortronics Model 65023 and the metric Revere Model 5123. Metric thread in load cell.

3 mv/v, 390/350 ohm, 20 ft 4 wire cable, nickel plated steel.

Part Number	Capacity	Weight	Stock	List
DSB-1K-M	1,000 lb	3 lb	7197	\$ 135.00
DSB-1.5K-M	1,500 lb	3 lb	7198	135.00

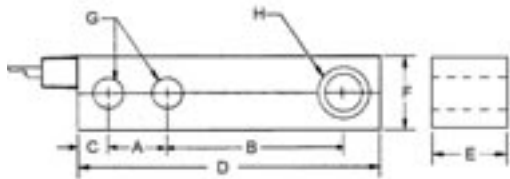
* Stainless steel potted w/ side plate



DSB-M

Dimensions in inches

Capacity	A	B	C	D	E	F	G	H
500-5KSE	1.00	3.00	0.60	5.12	1.25	1.25	0.53	1/2-20
5K,10K	1.50	3.75	0.75	6.75	1.50	1.50	0.78	3/4-16





DSB-SSP Diamond

Potted with side plate, **stainless steel** cell that is interchangeable with Model 65023 and RTI Models 5123/9123. Orange jacket load cell cable is highly visible in any environment. 3 mv/v, 390/350 ohm, 20ft 4 wire cable, **stainless steel**, IP67

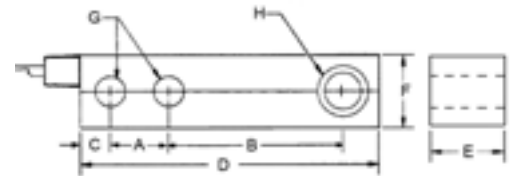
Part Number	Capacity	Weight	Stock	List
DSB-250-SSP	250 lb	3 lb	7078	\$ 246.75
DSB-500-SSP	500 lb	3 lb	7079	246.75



DSB-SSP

Dimensions in inches

Capacity	A	B	C	D	E	F	G	H
250-500 lb	1.00	3.00	0.60	5.12	1.25	1.25	0.53	1/2-20



DSB-SSH Diamond

Hermetically sealed **stainless steel** cell that is interchangeable with Model 65023 and RTI Models 5123/9123. Orange jacket load cell cable is highly visible in any environment. 3 mv/v, 390/350 ohm, 20ft 4 wire cable, **stainless steel**, IP67

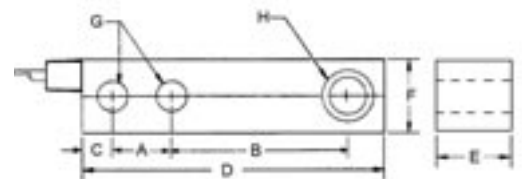
Part Number	Capacity	Weight	Stock	List
DSB-1K-SSH	1,000 lb	3 lb	7080	\$ 245.00
DSB-1.5K-SSH	1,500 lb	3 lb	7081	245.00
DSB-2K-SSH	2,000 lb	4 lb	7082	245.00
DSB-2.5K-SSH	2,500 lb	4 lb	7083	245.00
DSB-4K-SSH	4,000 lb	4 lb	7084	245.00
DSB-5KSE-SSH	5,000 lb	4 lb	7085	245.00
DSB-5K-SSH	5,000 lb	4 lb	7086	284.00
DSB-10K-SSH	10,000 lb	5 lb	7087	284.00
DSB-20K-SSH	20,000 lb	9 lb	7088	553.00



DSB-SSH

Dimensions in inches

Capacity	A	B	C	D	E	F	G	H
1K-5KSE	1.00	3.00	0.60	5.12	1.25	1.25	0.53	1/2-20
5K-20K	1.50	3.75	0.75	6.75	1.50	1.50	0.78	3/4-16



Prices are subject to change without notice. Please call for current prices.

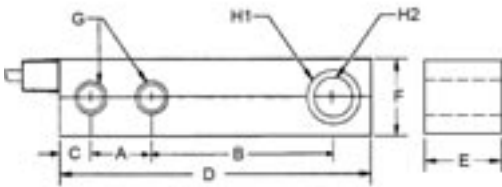
Other items are available from the manufacturers, please call for quote.

Beam

Beam



BLC
Beam Cell SS



BLC Diamond

Matched outputs. Nameplate on cell shows 1.5 mv/v at half capacity.
3 mv/v, 1000/1000 ohm, 17-4 stainless steel. IP67.
10 ft 4 wire cable - 500 lb, 1K, 2.5K, 4K ; 20 ft 4 wire cable - 5K, 10K.

Part Number	Capacity	Toledo	Weight	Stock	List
Threaded load hole					
BLC-500-10531 (1K)	1,000 lb	084757020	3 lb	7917	\$ 339.15
BLC-1.25K-10531 (2.5K)	2,500 lb	8476008020	3 lb	7918	339.15
BLC-2K-10531 (4K)	4,000 lb	8476004020	3 lb	7919	339.15
Counterbored & threaded load hole					
BLC-500-10225	500 lb	08521620	2 lb	7922	438.00
BLC-500-10631 (1K)	1,000 lb	08521920	3 lb	7923	323.40
BLC-1.25K-10631 (2.5K)	2,500 lb	80328020	3 lb	7924	371.70
BLC-2K-10631 (4K)	4,000 lb	80329020	3 lb	7925	371.70
BLC-2.5K-20631 (5K)	5,000 lb	083220020	4 lb	7926	469.35
BLC-5K-20631 (10K)	10,000 lb	083221020	5 lb	7927	569.10

Dimensions in inches

Capacity	A	B	C	D	E	F	G	H1	H2
250	1.0	3.00	0.645	5.25	1.19	1.19	0.52	0.8125	1/2-20
500-4K	1.0	3.00	0.645	5.25	1.19	1.19	0.52	0.8125	1/2-20
5K	1.5	3.75	0.745	6.75	1.44	1.45	0.78	1.1875	3/4-16
10K	1.5	3.75	0.745	6.75	1.69	1.69	0.78	1.1875	3/4-16



H8C-C3



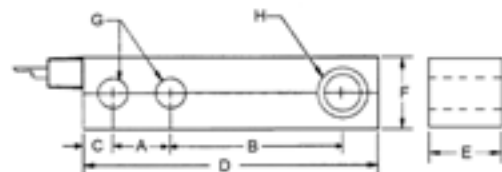
H8C-C3 Zemic

2 mv/v, 350/350 ohm 20 ft shielded 4 wire cable, nickel plated alloy steel, IP67.
NTEP Legal for Trade 12-028

Part Number	Capacity	Weight	Stock	List
H8C-C3-500KG-4B-SC	500 kg	3 lb	2331	\$ 205.35
H8C-C3-1.0t-4B-SC	1,000 kg	3 lb	2332	205.35
H8C-C3-1.5t-4B-SC	1,500 kg	3 lb	2333	205.35
H8C-C3-2.0t-4B-SC	2,000 kg	3 lb	2334	205.35
H8C-C3-2.5t-4B-SC	2,500 kg	3 lb	2335	205.35
H8C-C3-3.0t-4B-SC	3,000 kg	5 lb	2336	244.20
H8C-C3-5.0t-4B-SC	5,000 kg	5 lb	2337	244.20
H8C-C3-10t-4B-SC	10,000 kg	9 lb	2338	338.55

Dimensions in inches

Capacity	A	B	C	D	E	F	G	H
1K-5KSE	1.00	3.00	0.62	5.11	1.25	1.25	1.33	1/2-20 UNF
5K-10K	1.50	3.75	0.75	6.75	1.50	1.50	1.57	3/4-16 UNF
20K	2.00	4.75	1.00	8.75	2.00	2.00	2.06	1-12 UNF



Prices are subject to change without notice. Please call for current prices.

Other items are available from the manufacturers, please call for quote.

Beam

B8D Zemic

Stainless steel, NTEP for floor scales.
3mv/v, 350/350 ohms, 20 ft. wire. cable, stainless steel, IP67.
NTEP Legal for Trade

Part Number	Capacity	Weight	Stock	List
B8D-N5-250-6YB	250 lb	3 lb	3312	\$ 269.00
B8D-N5-500-6YB	500 lb	3 lb	3313	269.00
B8D-N5-750-6YB	750 lb	3 lb	3314	269.00
B8D-N5-1K-6YB	1,000 lb	3 lb	3315	269.00
B8D-N5-1.5K-6YB	1,500 lb	3 lb	3316	269.00
B8D-N5-2K-6YB	2,000 lb	3 lb	3317	269.00
B8D-N5-2.5K-6YB	2,500 lb	3 lb	3318	269.00
B8D-N5-3K-6YB	3,000 lb	3 lb	3319	269.00
B8D-N5-4K-6YB	4,000 lb	3 lb	3320	269.00
B8D-N5-5KSE-6YB	5,000 lb	3 lb	3321	269.00
B8D-N5-5K-6YB	5,000 lb	5 lb	3322	389.00
B8D-N5-7.5K-6YB	7,500 lb	5 lb	3323	389.00
B8D-N5-10K-6YB	10,000 lb	6 lb	3324	389.00
B8D-N5-15K-6YB	15,000 lb	9 lb	3325	399.00
B8D-N5-20K-6YB	20,000 lb	9 lb	3326	1,030.00

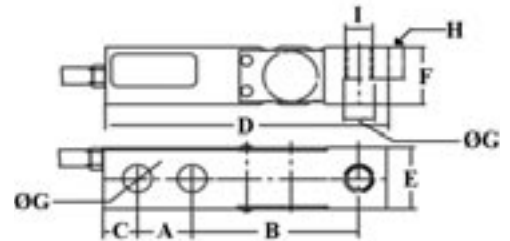
Dimensions in inches

Capacity	A	B	C	D	E	F	ØG	H	I
0.25k-1k	1.00	3.00	0.61	5.11	1.18	1.23	0.53	0.63	1/20-20UNF2B
0.5t-5kSE	1.00	3.00	0.61	5.11	1.18	1.23	0.53	0.63	1/2-20UNF-2B
3t-15klb	1.50	3.75	0.75	6.73	1.45	1.45	1.44	0.81	3/4-16UNF-2B
S20klb	2.00	4.75	0.75	8.75	1.95	1.45	1.94	1.08	1-12UNF-2B



B8D

Beam



H8C-N5 Zemic

3 mv/v, 350/350 ohm 20 ft shielded 4 wire cable, nickel plated alloy steel, IP67.
NTEP Legal for Trade 12-028

Part Number	Capacity	Weight	Stock	List
H8C-N51K-6YB	1,000 lb	3 lb	7103	\$ 205.35
H8C-N5-1.5K-6YB	1,500 lb	3 lb	7104	205.35
H8C-N5-2.5K-6YB	2,500 lb	3 lb	7105	205.35
H8C-N5-4K-6YB	4,000 lb	3 lb	7106	205.35
H8C-N5-5KSE-6YB	5,000 lb	3 lb	7107	205.35
H8C-N5-5K-6YB	5,000 lb	5 lb	7108	244.20
H8C-N5-10K-6YB	10,000 lb	5 lb	7109	244.20
H8C-N5-20K-6YB	20,000 lb	9 lb	7110	338.35

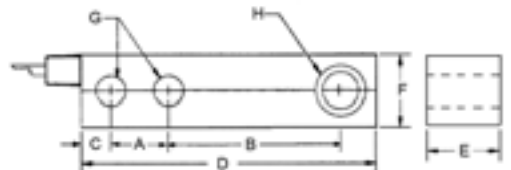


H8C-N5



Dimensions in inches

Capacity	A	B	C	D	E	F	G	H
1K-5KSE	1.00	3.00	0.62	5.11	1.25	1.25	1.33	1/2-20 UNF
5K-10K	1.50	3.75	0.75	6.75	1.50	1.50	1.57	3/4-16 UNF
20K	2.00	4.75	1.00	8.75	2.00	2.00	2.06	1-12 UNF



Prices are subject to change without notice. Please call for current prices.

Other items are available from the manufacturers, please call for quote.

13-01 Pollitt Dr Ext
Fair Lawn NJ 07410
201-797-2718

Totalcomp
Components

www.totalcomp.com
sales@totalcomp.com
Fax 201-797-2287

Beam

Beam



GSB



GSB General Sensor

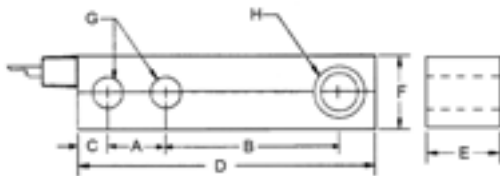
Interchangeable with Sensortronics 65023 and RTI 5123.
3 mv/v, 350/350 ohm, 20 ft 4 wire cable, nickel plated steel.
NTEP Legal for Trade 98-033

Part Number	Capacity	Weight	Stock	List
GSB-250 *	250 lb	3 lb	3611	\$ 180.79
GSB-500 *	500 lb	3 lb	3347	180.79
GSB-1K	1,000 lb	3 lb	3348	180.79
GSB-1.5K	1,500 lb	3 lb	3612	180.79
GSB-2K	2,000 lb	3 lb	3349	180.79
GSB-2.5K	2,500 lb	3 lb	3350	180.79
GSB-4K	4,000 lb	3 lb	3351	180.79
GSB-5K-SE	5,000 lb	3 lb	3614	180.79
GSB-5K	5,000 lb	5 lb	3352	285.29
GSB-10K	10,000 lb	5 lb	3353	285.29
GSB-15K *	15,000 lb	9 lb	3615	611.00
GSB-20K *	20,000 lb	9 lb	3616	611.00

Larger envelope w/ 1-1/4" height rather than 1" for 100 lb - 500 lb

GSB-100-L *	100 lb	3 lb	4059	250.00
GSB-250-L *	250 lb	3 lb	2414	250.00
GSB-500-L *	500 lb	3 lb	4060	250.00

* Not NTEP



Dimensions in inches

Capacity	A	B	C	D	E	F	G	H
250-500	1.00	3.00	0.60	5.12	1.00	1.00	0.53	1/2-20
1K-5KSE	1.00	3.00	0.60	5.12	1.25	1.25	0.53	1/2-20
5K,10K	1.50	3.75	0.75	6.75	1.50	1.50	0.78	3/4-16
15K,20K	2.00	4.88	1.00	8.75	2.00	2.00	1.03	1-14

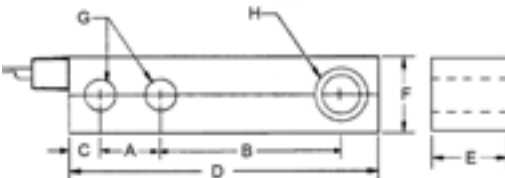


GB743

GB743 General Sensor

Interchangeable with Toledo® beam load cells for 743 Flexmount.
2 mv/v, 350/350 ohm, 20 ft 4 wire cable, stainless steel, IP68.

Part Number	Toledo	Masstron	Capacity	Weight	Stock	List
GB743-1K	13136900C	ML4311	1,000 lb	6 lb	7941	\$ 755.37
GB743-3K	13079300C	ML4331	3,000 lb	6 lb	7942	755.37
GB743-5K	13078900C	ML4350	5,000 lb	6 lb	7943	755.37
GB743-10K	13078400C	ML4410	10,000 lb	9 lb	7944	943.64
GB743-20K	13077500C	ML4420	20,000 lb	18 lb	7945	943.64



Dimensions in inches

Capacity	A	B	C	D	E	F	G	H
1K-5K	2.500	3.880	0.620	7.993	1.450	1.463	0.500	1.200
10K	2.625	4.860	0.754	9.250	2.059	1.702	0.767	1.480
20K	3.250	5.419	1.035	11.000	2.375	2.335	1.036	1.835

Prices are subject to change without notice. Please call for current prices.

Other items are available from the manufacturers, please call for quote.

Beam

GBH35 General Sensor

Hermetically sealed **stainless steel** cell that replaces HBM H35. The cable color code is different.

3.0 mv/v, 350/350 ohm, 20 ft 4 wire cable, **stainless steel**, IP67.

Part Number	Capacity	Weight	Stock	List
GBH35-1K	1,000 lb	3 lb	7163	\$ 285.00
GBH35-2.5K	2,500 lb	3 lb	7164	285.00
GBH35-4K	4,000 lb	3 lb	7165	285.00
GBH35-5K-SE	5,000 lb	5 lb	7166	285.00
GBH35-10K	10,000 lb	6 lb	7167	365.00

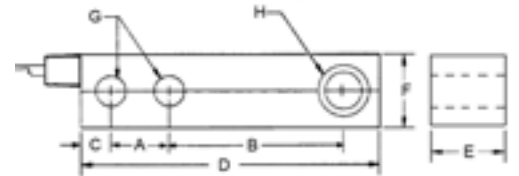
Dimensions in inches

Capacity	A	B	C	D	E	F	G	H
1K-5K-SE	1.00	3.00	0.50	5.12	1.18	1.21	0.53	1/2-20



GBH35

Beam



GSE General Sensor

Replacement for HBM SBE & SBTE and ElectroScale low profile shear beams. Load hole is threaded. 500 lb is 3/8-16UNC, 4K is 1/2-20UNF, 10K is 3/4-10UNC.

3 mv/v, 412/352 ohm, 20 ft 4 wire cable, nickel plated steel, IP67.

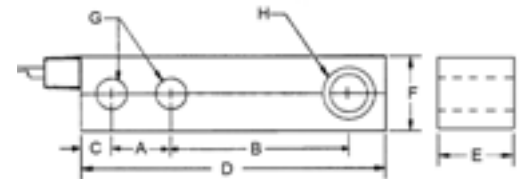
Part Number	Electroscale	Capacity	Weight	Stock	List
GSE-500	017116-001	500 lb	2 lb	860	\$ 520.00



GSE
Beam Cell

Dimensions in inches

Capacity	A	B	C	D	E	F	G	H
500	1.50	2.25	0.40	4.50	0.49	0.73	0.257	3/8-16
4K	1.75	3.00	1.75	6.00	1.25	1.25	0.257	1/2-20
10K	2.60	4.80	0.81	9.25	1.75	1.88	0.810	3/4-10



Prices are subject to change without notice. Please call for current prices.

Other items are available from the manufacturers, please call for quote.

13-01 Pollitt Dr Ext
Fair Lawn NJ 07410
201-797-2718

Totalcomp
Components

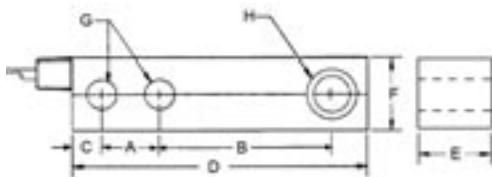
www.totalcomp.com
sales@totalcomp.com
Fax 201-797-2287

Beam

Beam



NSB



NSB Nikkei

Interchangeable with Sensortronics 65023 and RTI 5123.
3 mv/v, 350/350 ohm, 20 ft 4 wire cable, nickel plated steel, IP67.
NTEP Legal for Trade 93-123 (1,000 lb - 10,000 lb)

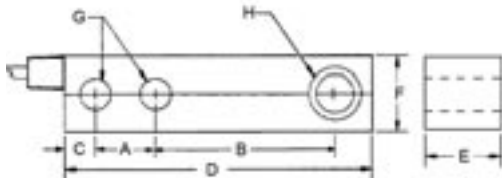
Part Number	Capacity	Weight	Stock	List
NSB-250 *	250 lb	3 lb	970	\$ 180.79
NSB-500 *	500 lb	3 lb	1407	180.79
NSB-1K	1,000 lb	3 lb	1200	180.79
NSB-1.5K	1,500 lb	3 lb	301	180.79
NSB-2K	2,000 lb	3 lb	1201	180.79
NSB-2.5K	2,500 lb	3 lb	1202	180.79
NSB-4K	4,000 lb	3 lb	1203	180.79
NSB-5K-SE	5,000 lb	3 lb	985	180.79
NSB-5K	5,000 lb	5 lb	1204	258.29
NSB-10K	10,000 lb	5 lb	1205	258.29
NSB-15K*	15,000 lb	9 lb	1198	986.48
NSB-20K*	20,000 lb	9 lb	1199	986.48

Dimensions in inches

Capacity	A	B	C	D	E	F	G	H
250-500	1.00	3.00	0.62	5.12	1.00	1.25	0.53	1/2-20
1K-4K	1.00	3.00	0.62	5.12	1.25	1.25	0.53	1/2-20
5K-10K	1.50	3.75	0.75	6.75	1.50	1.50	0.78	3/4-16
10K-20K	2.00	4.88	1.00	8.88	2.00	2.00	1.03	1"-14



NSB-SS



NSB-SS Nikkei

Interchangeable with Sensortronics 65023-SS and RTI 9123.
3 mv/v, 350/350 ohm, 20 ft 4 wire cable, **stainless steel**, IP67.

Part Number	Capacity	Weight	Stock	List
NSB-250-SS	250 lb	3 lb	2117	\$ 336.49
NSB-500-SS	500 lb	3 lb	2118	336.49
NSB-1K-SS	1,000 lb	3 lb	2119	336.49
NSB-1.5K-SS	1,500 lb	3 lb	407	336.49
NSB-2K-SS	2,000 lb	3 lb	2120	336.49
NSB-2.5K-SS	2,500 lb	3 lb	2121	336.49
NSB-4K-SS	4,000 lb	3 lb	2122	336.49
NSB-5K-SE-SS	5,000 lb	3 lb	2123	336.49
NSB-5K-SS	5,000 lb	5 lb	2124	405.46
NSB-10K-SS	10,000 lb	5 lb	2125	405.46
NSB-10K-SS-40 w/ 40ft cable	10,000 lb	6 lb	3573	472.50
NSB-15K-SS	15,000 lb	9 lb	2126	1,087.85
NSB-20K-SS	20,000 lb	9 lb	2127	1,146.37

Dimensions in inches

Capacity	A	B	C	D	E	F	G	H
250-500	1.00	3.00	0.62	5.12	1.00	1.25	0.53	1/2-20
1K-4K	1.00	3.00	0.62	5.12	1.25	1.25	0.53	1/2-20
5K-10K	1.50	3.75	0.75	6.75	1.50	1.50	0.78	3/4-16
10K-20K	2.00	4.88	1.00	8.88	2.00	2.00	1.03	1"-14

Prices are subject to change without notice. Please call for current prices.

Other items are available from the manufacturers, please call for quote.

Beam

NBB-SS Nikkei

Interchangeable with HBM Model BBS.

2 mv/v, 810/750 ohm (50 to 1K), 375/350 ohm (1KLE to 7.5K), 30 ft 4 wire cable, stainless steel, IP67.

Part Number	Capacity	Weight	Stock	List
NBB-50-SS	50 lb	2 lb	1894	\$ 508.20
NBB-100-SS	100 lb	3 lb	1895	508.20
NBB-200-SS	200 lb	3 lb	1896	508.20
NBB-250-SS	250 lb	3 lb	1897	508.20
NBB-500-SS	500 lb	3 lb	1898	508.20
NBB-1K-SS	1,000 lb	3 lb	1899	508.20
NBB-1KLE-SS	1,000 lb	9 lb	1900	768.03
NBB-2.5K-SS	2,500 lb	10 lb	1901	768.03
NBB-5K-SS	5,000 lb	28 lb	1902	1,270.50
NBB-7.5K-SS	7,500 lb	28 lb	1903	1,270.50

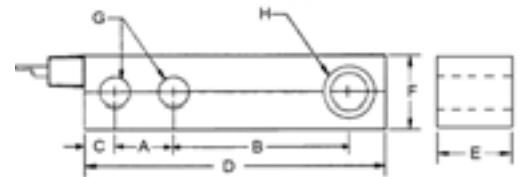
Dimensions in inches

Capacity	A	B	C	D	E	F	G	H
50, 100	0.875	4.25	0.38	6.00	1.38	1.38	0.281	0.328



NBB

Beam



NSSB Nikkei

Stainless steel shear beam. Interchangeable with HBM Model SB3 and RTI SSB.

2 mv/v, 350/350 ohm, 20 ft 4 wire cable, stainless steel, IP67.

Part Number	Capacity	Weight	Stock	List
NSSB-1K-SS	1,000 lb	6 lb	1598	\$ 687.23
NSSB-2K-SS	2,000 lb	6 lb	1599	687.23
NSSB-4K-SS	4,000 lb	6 lb	1600	687.23
NSSB-5K-SS	5,000 lb	6 lb	1601	687.23
NSSB-10K-SS	10,000 lb	12 lb	1602	814.28
NSSB-40K-SS	40,000 lb	26 lb	1603	2,236.08

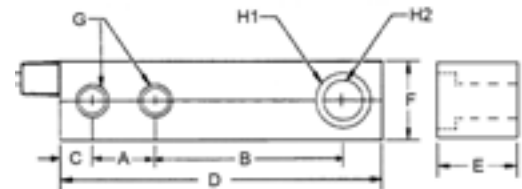
* Resistance on 40K is 1,000/1,000 ohms

Dimensions in inches

Capacity	A	B	C	D	E	F	G	H1	H2
1K-5K	2.50	3.88	0.75	8.00	1.88	1.45	0.53	1.19	0.68
10K	2.63	4.88	0.81	9.25	2.75	1.88	0.88	1.63	1.00
40K	3.50	6.25	1.25	12.50	3.75	2.75	1.31	1.88	1-1/2-12



NSSB



Beam

Beam



NWB

NWB Nikkei

Interchangeable with Weigh-Tronix Weigh Bar®

2 mv/v, 350/350 ohm, 20 ft 4 wire cable, stainless steel, IP67.

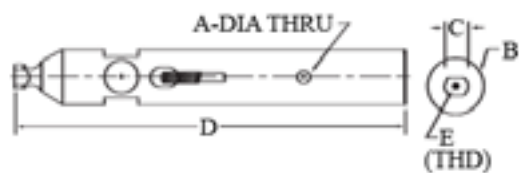
Part Number	Weigh-Tronix	Capacity	Weight	Stock	List
----	14700	250 lb	----	----	----
----	14701	500 lb	----	----	----
NWB-1.25K	14702	1,250 lb	5 lb	1468	\$ 571.73
NWB-2.5K	14703 *	2,500 lb	7 lb	1469	571.73

* Not interchangeable with 13495-0054-2.5K

NWB-5K	13498	5,000 lb	10 lb	1470	647.96
NWB-10K	13851	10,000 lb	17 lb	1471	698.78
NWB-25K	18824/17604	25,000 lb	38 lb	1472	1,048.16
NWB-37.5K (3mv/v)		37,500 lb	38 lb	3995	1,048.16

Weigh Bar® is a registered trademark of Weigh-Tronix Inc

Dimensions in inches



Capacity	A	B	C	D	E
1.25K	0.312	1.25	0.63	11.50	8-32
2.5K	0.375	1.25	0.70	11.50	6-32
5K	0.375	1.62	0.88	10.88	8-32
10K	0.50	2.50	0.88	12.63	8-32
25K	0.50	3.50	1.75	15.00	5/16-18
37.5K	0.50	3.50	1.75	15.00	5/16-18



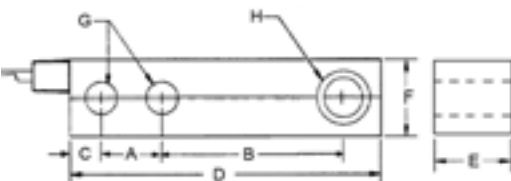
IDS608

IDS608 SDS

Replacement for 4' x 4' floor scale. Each scale has (2) 3' cable load cells and (2) 8' cable load cells. The replacement should have the same cable length as the original.

3 mv/v, 350/350 ohm, nickel plated steel.

Part Number	Capacity	Weight	Stock	List
3 ft cable 4 conductor				
IDS608-1K-C3-3ft	1,000 lb	3 lb	7090	\$ 275.00
IDS608-2.5KLB-C3-3ft	2,500 lb	3 lb	3354	275.00
8 ft cable 4 conductor				
IDS608-1K-C3-8ft	1,000 lb	3 lb	7091	275.00
IDS608-2.5KLB-C3-8 ft	2,500 lb	3 lb	3355	275.00



Dimensions in inches

Capacity	A	B	C	D	E	F	G	H
2.5K	1.00	3.00	0.60	5.12	1.25	1.25	0.53	1/2-20

Prices are subject to change without notice. Please call for current prices.

Other items are available from the manufacturers, please call for quote.

SBS Transcell

Interchangeable with Sensortronics 65023 and RT1 5123.
3 mv/v, 350/350 ohm, 20 ft 4 wire cable, nickel plated steel, IP67
NTEP Legal for Trade 1,000 lb to 10,000 lb

Part Number	Capacity	Weight	Stock	List
SBS-100	100 lb	2.35 lb	4451	\$ 180.00
SBS-250	250 lb	2.35 lb	4406	180.00
SBS-500	500 lb	2.35 lb	4452	180.00
SBS-1K	1,000 lb	2.35 lb	4463	180.00
SBS-2.5K	2,500 lb	2.35 lb	4453	180.00
SBS-4K	4,000 lb	2.35 lb	4454	180.00
-				
SBS-5K-SE	5,000 lb	2.35 lb	661	180.00
SBS-5K-LE	5,000 lb	5 lb	4455	295.00
SBS-10K	10,000 lb	5 lb	4456	295.00
SBS-15K-SE	15,000 lb	6 lb	4457	295.00
SBS-20K	20,000 lb	8 lb	4458	555.00

Metric capacities

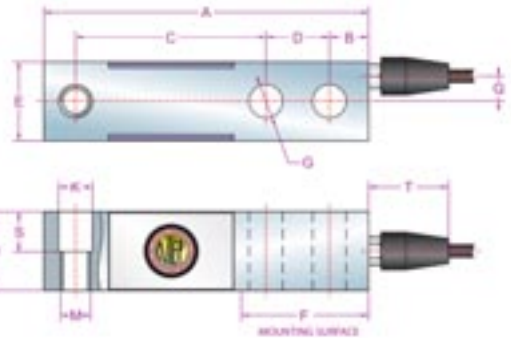
SBS-500kg	500 kg	2.35 lb	4459	195.00
SBS-2t	2,000 kg	2.35 lb	4460	195.00

Dimensions

Capacity		A	B	C	D	E	F	G	H	M	K	S	T	Q
250 - 5,000 lbs	in	5.12	0.62	3.00	1.00	1.25	2.24	0.53	1.25	10*20 UNF	0.53	0.64	1.26	0.40
	mm	130.0	15.7	76.2	25.4	31.8	57.0	13.5	31.8		13.5	16.2	32.0	10.1
5,000 - 15,000 lbs	in	6.75	0.75	3.75	1.50	1.47	2.99	0.78	1.47	3/4-16 UNF	0.78	0.70	1.26	0.51
	mm	171.4	19.0	95.2	38.1	37.4	76.0	19.8	37.4		19.8	17.8	32.0	13.0
15,000 - 20,000	in	8.75	1.00	4.75	2.00	1.97	4.02	1.03	1.97	1-14 UNF	1.03	0.98	0.67	0.67
	mm	222.2	25.4	120.6	50.8	50.0	102	26.2	50.0		26.2	25.0	17.0	17.0



SBS-5KSE



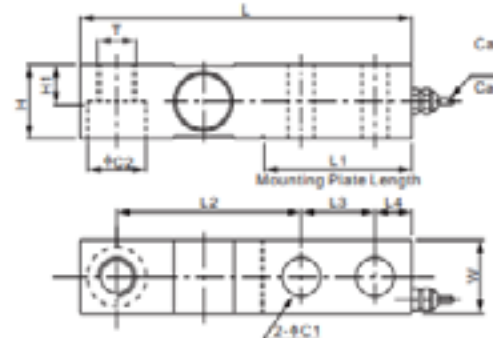
563YH Anyload

Interchangeable with Sensortronics 65023 and RT1 5123.
3 mv/v, 350/350 ohm, 20 ft 4 wire cable, nickel plated steel, IP67
NTEP Legal for Trade 1,000 lb to 10,000 lb

Part Number	Capacity	Weight	Stock	List
563YH-100	100 lb	3 lb	4679	\$ 226.00
563YH-250	250 lb	3 lb	4680	226.00
563YH-500	500 lb	3 lb	4681	226.00
563YH-1K	1,000 lb	3 lb	4682	206.00
563YH-2.5K	2,500 lb	3 lb	4683	206.00
563YH-4K	4,000 lb	3 lb	4684	206.00
-				
563YH-5K-SE	5,000 lb	3 lb	4685	206.00
563YH-5K	5,000 lb	4 lb	4686	320.00
563YH-10K	10,000 lb	4 lb	4687	320.00
563YH-15K	15,000 lb	8 lb	4688	573.00
563YH-20K	20,000 lb	8 lb	4689	573.00



563YH



DIMENSIONS

RATED CAPACITY	C1	C2	H	H1	L	L1	L2	L3	L4	W	T
100-4,000; SE5,000	0.53	0.81	1.25	0.60	5.12	2.25	3.00	1.00	0.62	1.25	1/2-20 UNF-2B
LE2,500; 5,000-10,000	0.78	1.19	1.50	0.75	6.75	3.00	3.75	1.50	0.75	1.50	3/4-16 UNF-2B
15,000-20,000	1.03	1.81	2.00	1.00	8.75	4.00	4.75	2.00	1.00	2.00	1-14 UNS-2B

Prices are subject to change without notice. Please call for current prices.

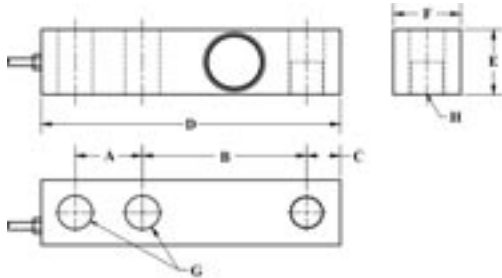
Other items are available from the manufacturers, please call for quote.

Beam

Beam



SQB-H



SQB-H Celtron

Stainless steel. Interchangeable with Sensortronics 65083 and Rice Lake RL35023.
3 mv/v, 385/350 ohm, 20 ft 4 wire cable, **stainless steel**, IP68.
NTEP Legal for Trade Class III

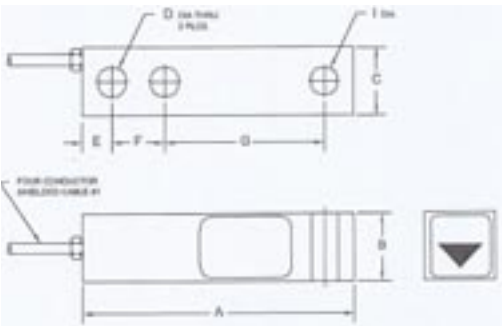
Part Number	Capacity	Weight	Stock	List
SQB-1K-HSS	1,000 lb	3 lb	8092	\$ 339.63
SQB-2K-HSS	2,000 lb	3 lb	8093	339.63
SQB-2.5K-HSS	2,500 lb	3 lb	8094	339.63
SQB-2.5K-HSS w/ 30' cable	2,500 lb	3 lb	8095	387.62
SQB-4K-HSS	4,000 lb	3 lb	8096	339.63
SQB-5K-SE-HSS	5,000 lb	3 lb	8097	339.63
SQB-5K-HSS	5,000 lb	5 lb	8098	444.13
SQB-10K-HSS	10,000 lb	5 lb	8099	444.13

Dimensions in inches

Capacity	A	B	C	D	E	F	G	H
1-5K	1.00	3.00	0.50	5.12	1.22	1.22	0.53	1/2-20 UNF
5-10K	1.50	3.75	0.75	6.75	1.50	1.50	0.78	3/4-16 UNF



30210



30210 Artech

Interchangeable with Sensortronics 65023 and RTI 5123. Thru load hole.
3 mv/v, 350/350 ohm, 20 ft 4 wire cable, nickel plated steel, IP67
NTEP Legal for Trade

Part Number	Capacity	Weight	Stock	List
30210-250	250 lb	3 lb	4410	\$ 339.44
30210-500	500 lb	3 lb	4411	339.44
30210-1K	1,000 lb	3 lb	4412	339.44
30210-2K	2,000 lb	3 lb	4413	339.44
30210-2.5K	2,500 lb	3 lb	4414	339.44
30210-3K	3,000 lb	3 lb	4415	339.44
30210-4K	4,000 lb	4 lb	4416	339.44
30210-5KSE	5,000 lb	4 lb	4417	339.44
30210-5KLE	5,000 lb	5 lb	4418	576.41
30210-10K	10,000 lb	5 lb	4419	576.41
30210-15K	15,000 lb	9 lb	4420	1,024.72
30210-20K	20,000 lb	9 lb	4421	1,133.60

Dimensions in inches

Capacity	A	B	C	D	E	F	G	I dia
250-5KSE	5.12	1.25	1.25	0.53	0.60	1.0	3.00	0.53
5KLE-10K	6.75	1.50	1.50	0.78	0.75	1.5	3.75	0.78
10K-20K	8.75	2.00	2.00	1.03	1.00	2.0	4.75	1.03

Prices are subject to change without notice. Please call for current prices.

Other items are available from the manufacturers, please call for quote.

Beam

30310 Artech

3 mv/v, 350/350 ohm, 20 ft 4 wire cable, electroless nickel/chrome plated.

FM Approved

NTEP Legal for Trade 87-058

Part Number	Capacity	Weight	Stock	List
30310-250*	250 lb	3 lb	8062	\$ 339.44
30310-500*	500 lb	3 lb	8063	339.44
30310-1K	1,000 lb	3 lb	8064	339.44
30310-1.5K	1,500 lb	3 lb	8065	339.44
30310-2K	2,000 lb	3 lb	8066	339.44
30310-2.5K	2,500 lb	3 lb	8067	339.44
30310-3K	3,000 lb	3 lb	8068	339.44
30310-4K	4,000 lb	3 lb	8069	339.44
30310-5K-SE	5,000 lb	3 lb	8070	339.44
30310-5K-LE	5,000 lb	9 lb	8071	576.41
30310-10K	10,000 lb	9 lb	8072	576.41
30310-15K	15,000 lb	9 lb	8073	1,024.72
30310-20K	20,000 lb	9 lb	8074	1,133.60

* Bending beam

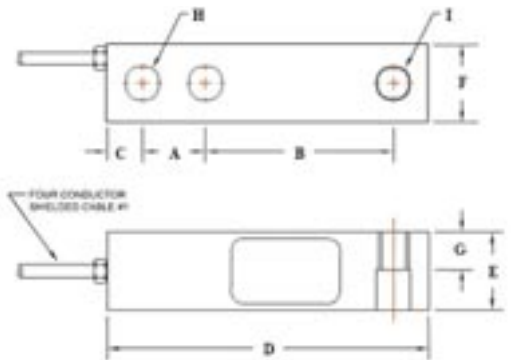
Dimensions in inches

Capacity	A	B	C	D	E	F	G	H	I
250-5k	1.00	3.00	0.60	5.12	1.25	1.25	0.60	0.53	1/2-20 UNF 2B
5KLE-10K	1.50	3.75	0.75	6.75	1.50	1.50	0.75	0.78	3/4-16 UNF 2B
15-20k	2.00	4.75	1.00	8.75	2.00	2.00	1.00	1.03	1-14 UNF 2B



30310

Beam



SS30310 Artech

3 mv/v, 350/350 ohm, 20 ft 4 wire cable, stainless steel.

FM Approved

NTEP Legal for Trade 87-058

Part Number	Capacity	Weight	Stock	List
SS30310-250 *	250 lb	3 lb	8075	\$ 554.63
SS30310-500 *	500 lb	3 lb	8076	554.63
SS30310-1K	1,000 lb	3 lb	8077	554.63
SS30310-1.5K	1,500 lb	3 lb	8078	554.63
SS30310-2K	2,000 lb	3 lb	8079	554.63
SS30310-2.5K	2,500 lb	3 lb	8080	554.63
SS30310-3K	3,000 lb	3 lb	8081	554.63
SS30310-4K	4,000 lb	3 lb	8082	554.63
SS30310-5K-SE	5,000 lb	3 lb	8083	554.63
SS30310-5K-LE	5,000 lb	5 lb	8084	755.73
SS30310-10K	10,000 lb	5 lb	8085	755.73
SS30310-15K	15,000 lb	5 lb	8086	1,024.72
SS30310-20K	20,000 lb	5 lb	8087	1,140.00

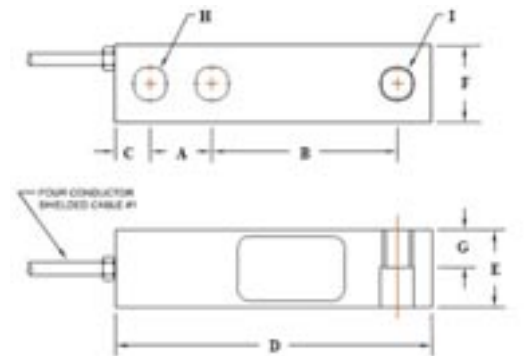
* Bending beam

Dimensions in inches

Capacity	A	B	C	D	E	F	G	H	I
250-5K	1.00	3.00	0.60	5.12	1.25	1.25	0.60	0.53	1/2-20 UNF 2B
5KLE-10K	1.50	3.75	0.75	6.75	1.50	1.50	0.75	0.78	3/4-16 UNF 2B
15-20K	2.00	4.75	1.00	8.75	2.00	2.00	1.00	1.03	1-14 UNF 2B



SS30310



Prices are subject to change without notice. Please call for current prices.

Other items are available from the manufacturers, please call for quote.

13-01 Pollitt Dr Ext
Fair Lawn NJ 07410
201-797-2718

Totalcomp
Components

www.totalcomp.com
sales@totalcomp.com
Fax 201-797-2287

Beam

Beam



30410



30410 Artech

Link beam

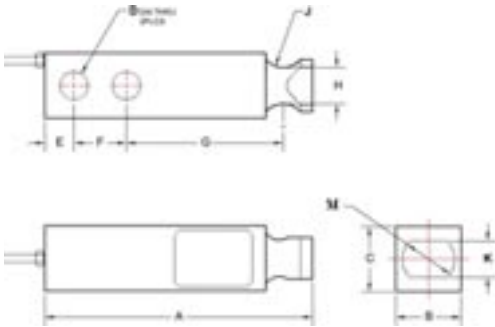
3mv/v, 350/350 ohm, 20 ft 4 wire cable, nickel plate steel, IP68

NTEP Legal for Trade 87-058

Part Number	Capacity	Weight	Stock	Price
30410-1K	1,000 lb	4 lb	8426	\$ 386.83
30410-2K	2,000 lb	4 lb	8427	386.83
30410-2.5K	2,500 lb	4 lb	8428	386.83
30410-4K	4,000 lb	4 lb	8429	386.83
30410-5KSE	5,000 lb	4 lb	8430	386.83
30410-5KLE	5,000 lb	5 lb	8431	612.44
30410-10K	10,000 lb	5 lb	8432	612.44

Dimensions in inches

Capacity	A	B	C	D	E	F	G	J	K	M
1K-10K	1.00	3.00	0.62	5.12	1.23	1.23	0.53	0.50	0.56	0.75



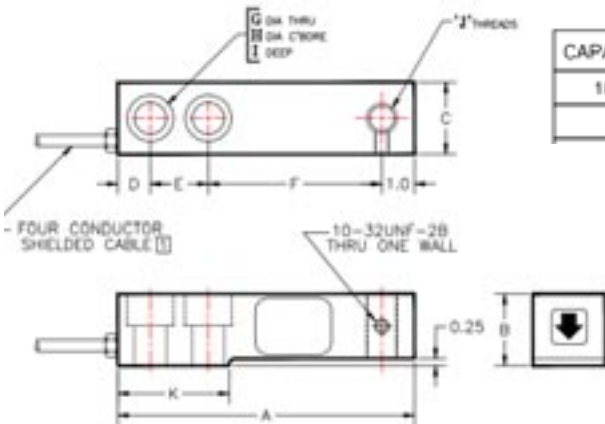
SS30510

SS30510 Artech

Stainless steel beam.

3 mv/v, 350/350 omhs, 20 ft 4 wire. cable, stainless steel, IP67

Part Number	Capacity	Weight	Stock	List
SS30510-500	500 lb	4 lb	246	\$ 605.87
SS30510-1K	1,000 lb	4 lb	296	605.87
SS30510-5K	5,000 lb	4.02 lb	223	832.59



CAPACITY LBS	A	B	C	D	E	F	G	H	I	'J' THREADS	K
1K - 5K	6.75	1.45	1.45	0.50	1.50	3.75	0.53	0.765	0.52	1/2-20UNF-2B	2.50
10K	7.75	1.45	1.45	0.75	2.00	4.00	0.78	1.295	0.50	3/4-16UNF-2B	3.50

Prices are subject to change without notice. Please call for current prices.

Other items are available from the manufacturers, please call for quote.

SB8 Flintec

Replacement for HBM Z6.

2 mv/v, 380/350 ohm, 3m 6 wire cable, **stainless steel**, IP68.

OIML C3 10,000 div

Part Number	Capacity	Nominal	Weight	Stock	List
SB8-10kg-C3	10kg	20 lb	1.23 lb	1949	\$ 340.00
SB8-20kg-C3	20kg	40 lb	1.23 lb	1950	340.00
SB8-50kg-C3	50kg	100 lb	1.23 lb	1951	340.00
SB8-100kg-C3	100kg	200 lb	1.23 lb	1952	340.00
SB8-200kg-C3	200kg	400 lb	1.23 lb	1953	340.00
SB8-250kg-C3	250kg	500 lb	1.23 lb	1954	340.00
SB8-500kg-C3	500kg	1,000 lb	1.23 lb	1955	340.00

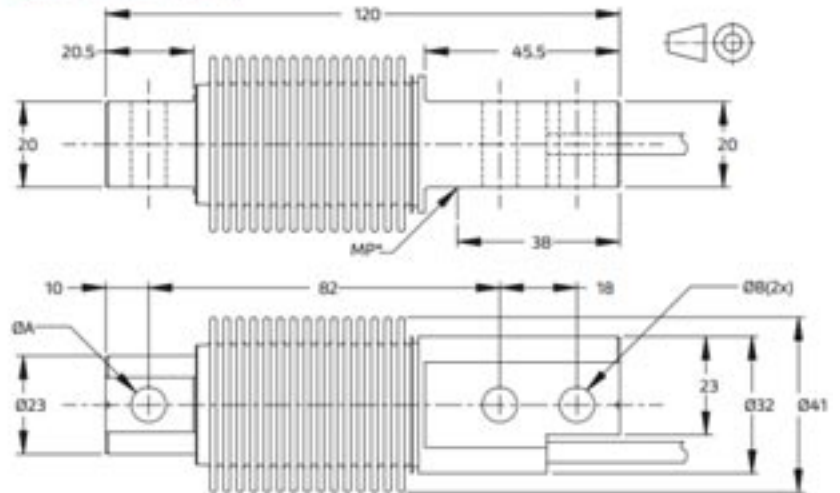


Beam

SB8



product dimensions (mm)



Type	A	B	Mounting bolts	Torque*
10...250 kg	8.2	8.2	M8 8.8	25 Nm
500 kg	10.5	8.2	M8 10.9	35 Nm

Torque* - values assume oiled threads.
MP* - Edge of mounting flange

Beam

Beam



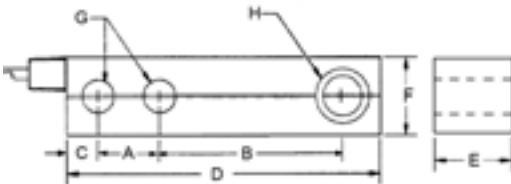
SB4-C



SB4 Flintec

Hermetically sealed stainless steel beam load cell w/counterbore for Paramount® HS. Load hole has a blind counterbore. Interchangeable with Fairbanks SB4 load cell. 2 mv/v, 1,106/1,000 ohm, 4 wire cable length below, **stainless steel**, IP68. NTEP Legal for Trade 90-086

Part Number	Capacity	Nominal	Weight	Stock	List
10ft cable					
SB4-5kN-C3	500 kg	1,125 lb	4 lb	4771	\$ 473.00
SB4-10kN-C3	1,000 kg	2,250 lb	4 lb	4772	473.00
SB4-20kN-C3	2,000 kg	4,500 lb	4 lb	4773	473.00
SB4-23kN-C3	2,300 kg	5,200 lb	6 lb	4785	673.00
15ft cable					
SB4-50kN-C3	5,000 kg	11,250 lb	9 lb	4774	908.00
SB4-100kN-C1	10,000 kg	22,500 lb	9 lb	4775	1,085.00



Dimensions in inches

Capacity	A	B	C	D	E	F	G	H
5kN-20kN	1.38	3.15	0.98	6.10	1.42	1.18	0.51	0.71
50kN	1.57	4.13	0.94	7.48	1.93	1.69	0.83	0.98
100kN	1.97	5.31	1.18	9.65	2.87	2.36	1.06	1.18



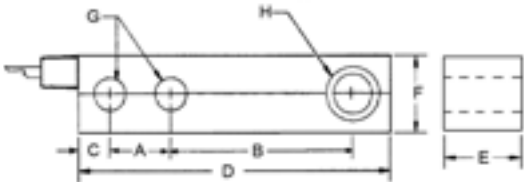
SB5-C



SB5 Flintec

Beam load cell w/counterbore for Paramount® EP. Load hole has a blind counterbore. 2 mv/v, 1,106/1,000 ohm, 4 wire cable length below, **stainless steel**, IP67. NTEP Legal for Trade 93-134

Part Number	Capacity	Nominal	Weight	Stock	List
3m cable					
SB5-5kN-C	500 kg	1,125 lb	4 lb	4776	\$ 371.00
SB5-10kN-C	1,000 kg	2,250 lb	4 lb	4777	371.00
SB5-20kN-C	2,000 kg	4,500 lb	4 lb	4778	371.00
4.5m cable					
SB5-50kN-C	5,000 kg	11,250 lb	9 lb	4779	592.00
SB5-100kN-C	10,000 kg	22,500 lb	15 lb	4841	851.00



Dimensions in inches

Capacity	A	B	C	D	E	F	G	H
5kN-20kN	1.38	3.15	0.98	6.10	1.42	1.18	0.51	0.71
50kN	1.57	4.13	0.94	7.48	1.93	1.69	0.83	0.98
100kN	1.97	5.31	1.18	9.65	2.87	2.36	1.06	1.18

Prices are subject to change without notice. Please call for current prices.

Other items are available from the manufacturers, please call for quote.

Beam

SB14 Flintec

Replacement for beam cell in Fairbanks LCF-4060 base. Load hole is blind. Cone counterbore. Set screw holes (2) on side of cell.
2 mv/v, 1100/1000 ohm, 9 ft 4 wire cable, **stainless steel**, IP68.

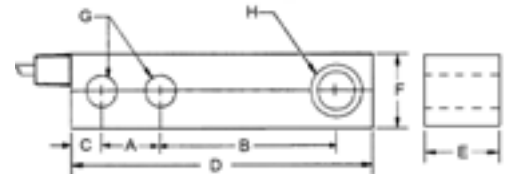
Part Number	Fairbanks	New	Capacity	Weight	Stock	List
SB14-500LB-HB	-----	-----	500 lb	4 lb	6049	\$ 469.00
SB14-1KLB-HB	LCF-HR4060-2	63895	1,000 lb	4 lb	6447	469.00
SB14-2.5KLB-HB	LCF-HR4060-3	63896	2,500 lb	4 lb	6448	469.00
SB14-5KLB-HB	LCF-HR4060-4	63897	5,000 lb	6 lb	6449	469.00



SB14
Fairbanks replacement

Dimensions in inches

Capacity	A	B	C	D	E	F	G	H
500-5K	1.00	3.00	0.75	5.25	1.22	1.18	0.51	Blind



SLB Flintec

Replacement for beam cell in Fairbanks Aegis base. Load hole is blind. Cone counterbore. Set screw holes (2) on side of cell.
2 mv/v, 1100/1000 ohm, 9 ft 4 wire cable, **stainless steel**, IP67.
NTEP Legal for Trade 97-061

Part Number	Fairbanks	New	Capacity	Weight	Stock	List
Blind Hole						
SLB-200LB-HB	-----	-----	200 lb	4 lb	6052	\$ 314.00
SLB-500LB-HB	-----	-----	500 lb	4 lb	6053	314.00
SLB-1KLB-HB	92984-1	63889	1,000 lb	4 lb	6054	314.00
SLB-2.5KLB-HB	92984-2	63890	2,500 lb	4 lb	6055	314.00
SLB-5KLB-HB	92984-3	63891	5,000 lb	4 lb	6057	314.00

Threaded load hole

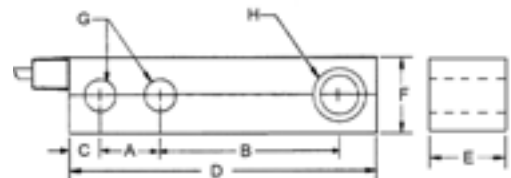
SLB-200LB-CU-C3	-----	-----	200 lb	4 lb	747	314.00
SLB-500LB-CU-C3	-----	-----	500 lb	4 lb	748	314.00
SLB-1KLB-CU-C3	-----	-----	1,000 lb	4 lb	749	314.00
SLB-2.5KLB-CU-C3	-----	-----	2,500 lb	4 lb	750	314.00
SLB-5KLB-CU-C3	-----	-----	5,000 lb	4 lb	751	314.00

Dimensions in inches

Capacity	A	B	C	D	E	F	G	H
500-5K	1.00	3.00	0.75	5.25	1.22	1.18	0.51	Blind



SLB
Fairbanks replacement



Prices are subject to change without notice. Please call for current prices.

Other items are available from the manufacturers, please call for quote.

13-01 Pollitt Dr Ext
Fair Lawn NJ 07410
201-797-2718

Totalcomp
Components

www.totalcomp.com
sales@totalcomp.com
Fax 201-797-2287

Beam

Beam



PB

PB Flintec

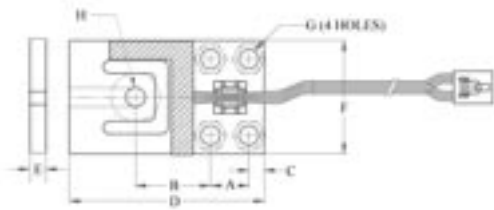
Planar beam used in Cambridge base. (4) mounting holes are thru holes. (1) load hole is thru hole.

1 mv/v, 1100/1000 ohm, 1m 4 wire ribbon cable, aluminum, IP65.

Part Number	Capacity	Nominal	Weight	Stock	List
PB-3.75 kg-RH	3.75 kg	8 lb	1 lb	6968	\$ 78.00
PB-7.5 kg-RH	7.5 kg	16 lb	1 lb	6969	78.00
PB-15 kg-RH	15 kg	33 lb	1 lb	6970	78.00
PB-37.5 kg-RH	37.5 kg	82 lb	1 lb	6971	96.00
PB-75 kg-RH	75 kg	165 lb	1 lb	6972	125.71
PB-150 kg-RH	150 kg	330 lb	1 lb	6973	147.14
PB-375 kg-RH	375 kg	825 lb	1 lb	6974	168.57

Threaded load hole 7/16-14

PB-375 kg-R	375 kg	825 lb	1 lb	6895	158.57
-------------	--------	--------	------	------	--------



Dimensions in inches

Capacity	A	B	C	D	E	F	G	H
3.75kg	0.55	1.102	0.193	2.76	0.079	1.54	0.201	0.165
7.5kg	0.55	1.102	0.193	2.76	0.098	1.54	0.201	0.165
15kg	0.55	1.102	0.193	2.76	0.161	1.54	0.201	0.244
37.5kg	0.59	1.153	0.237	3.00	0.189	1.75	0.260	0.244
75kg	0.59	1.339	0.252	3.32	0.252	2.16	0.260	0.323
150kg	0.90	1.82	0.307	4.22	0.311	2.75	0.32	0.323
375kg	1.00	2.07	0.359	4.70	0.500	3.00	0.39	0.323



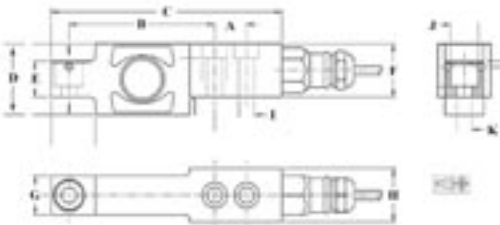
SB6

SB6 Flintec

Hermetically sealed.

2 mv/v, 1100/1000 ohm, 10 ft 4 wire cable, stainless steel, IP68.

Part Number	Capacity	Weight	Stock	List
SB6-20kg-C3	44.1 lb	2 lb	7070	\$ 509.00
SB6-50kg-C3	102 lb	2 lb	7071	509.00
SB6-1kN-C3	224.8 lb	2 lb	7124	509.00
SB6-2kN-C3	440.9 lb	2 lb	7125	509.00



Dimensions in inches

Capacity	A	B	C	D	E	F	G	H	I	J	K
0.2-2kN	0.71	3.23	5.12	1.73	0.79	1.18	0.87	1.18	0.34	0.63	0.34

Prices are subject to change without notice. Please call for current prices.

Other items are available from the manufacturers, please call for quote.

Beam

PA6140 CNcell

3 mv/v, 385/350 ohm, 20 ft 4 wire cable, alloy tool steel, IP67.
NTEP Legal for Trade 05-123

Part Number	Capacity	Weight	Stock	List
PA6140-100*	100 lb	3 lb	7092	\$ 206.00
PA6140-250*	250 lb	3 lb	7093	206.00
PA6140-500*	500 lb	3 lb	7094	206.00
PA6140-1K	1,000 lb	3 lb	7095	206.00
PA6140-2.5K	2,500 lb	3 lb	7096	206.00
PA6140-3K	3,000 lb	3 lb	7097	206.00
PA6140-4K	4,000 lb	3 lb	7098	206.00
PA6140-5KSE	5,000 lb	4 lb	7099	206.00
PA6140-5K	5,000 lb	5 lb	7100	262.00
PA6140-10K	10,000 lb	5 lb	7101	262.00
PA6140-15K	15,000 lb	7.12 lb	7115	396.00
PA6140-20K	20,000 lb	8.38 lb	7116	681.25

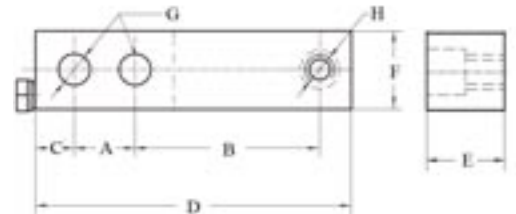
* Not NTEP

Dimensions in inches

Capacity	A	B	C	D	E	F	G	H
100-4K	1.00	3.00	0.62	5.12	1.25	1.25	0.53	1/2-20
5KSE	1.00	3.00	0.62	5.12	1.25	1.25	0.53	1/2-20
5K-10K	1.50	3.75	0.75	6.75	1.50	1.50	0.78	3/4-16



PA6140



BSA CAS

Interchangeable with Sensortronics 65023 and RTI 5123.
3 mv/v, 350/350 ohm, 20 ft 4 wire cable, nickel plated steel, IP66.
NTEP Legal for Trade 96-072

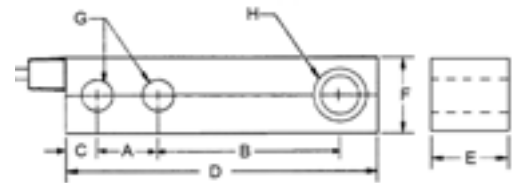
Part Number	Capacity	Weight	Stock	List
BSA-1K	1,000 lb	3 lb	5667	\$ 134.00
BSA-2K	2,000 lb	3 lb	5668	134.00
BSA-2.5K	2,500 lb	3 lb	5669	134.00
BSA-3K	3,000 lb	3 lb	5670	134.00
BSA-4K	4,000 lb	3 lb	5671	134.00
BSA-5KS	5,000 lb	3 lb	5672	134.00
BSA-10K	10,000 lb	5 lb	5673	134.00

Dimensions in inches

Capacity	A	B	C	D	E	F	G	H
1K-5K	1.00	3.00	0.62	5.12	1.25	1.25	0.53	1/2-20
5K,10K	1.50	3.75	0.75	6.75	1.50	1.50	0.78	3/4-16



BSA



Prices are subject to change without notice. Please call for current prices.

Other items are available from the manufacturers, please call for quote.

13-01 Pollitt Dr Ext
Fair Lawn NJ 07410
201-797-2718

Totalcomp
Components

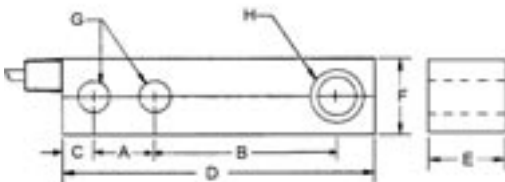
www.totalcomp.com
sales@totalcomp.com
Fax 201-797-2287

Beam

Beam



SB-2500S
Stainless steel



SB Cardinal

2 mv/v, 380/350 ohm, 20 ft 4 wire cable, **stainless steel**.

NTEP Legal for Trade 87-059

OIML R60/1991-DK-97.02

Part Number	Capacity	Weight	Stock	List
SB-2500S	2,500 lb	7 lb	4076	\$ 570.00
SB-5000S	5,000 lb	7 lb	4077	570.00
SB-10000S	10,000 lb	11 lb	4078	760.00
SB-20000S	20,000 lb	12 lb	4079	1,040.00

Service Parts

3500-B067-08 load button for SB beams	1 lb	4067	108.25
---------------------------------------	------	------	--------

Dimensions in inches

Capacity	A	B	C	D	E	F	G	H1	H2
2500S	2.50	6.374	0.75	8.00	1.25	1.248	0.53	1.20	3/4-16
5000S	2.50	6.374	0.75	8.00	1.45	1.448	0.53	1.20	3/4-16
10000S	2.00	7.252	1.94	9.00	1.62	1.618	0.78	1.20	0.687
20000S	2.00	7.252	1.94	9.00	2.00	2.000	0.78	1.20	0.687



LFB-500HMT
Stainless steel

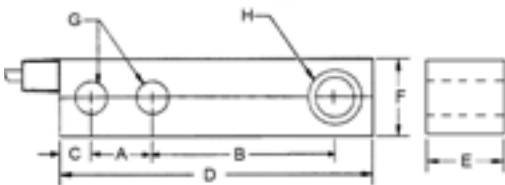
LFB Cardinal

2 mv/v, 380/350 ohm, 10 ft 4 wire cable, **stainless steel** and nickel plated steel.

Part Number	Capacity	Nominal	Weight	Stock	List
Stainless steel					
LFB-500HMT	500 lb	250 kg	4 lb	5256	\$ 440.00
LFB-1000HMTP	1,000 lb	500 kg	4 lb	5257	440.00
LFB-2500HMT	2,500 lb	1,250 kg	4 lb	5258	440.00

Nickel plated steel

LFB-250P	250 lb	125 kg	4 lb	5255	350.00
----------	--------	--------	------	------	--------



M= 0.875" counterbore and (2) 0.31" side holes

HMT= 0.875" counterbore and M12 x 1,75 threaded hole

Dimensions in inches

Capacity	A	B	C	D	E	F	G	H
250M	0.75	2.45	1.00	4.74	1.00	1.00	0.68	0.85
500-2500HMT	0.75	2.45	1.00	4.74	1.00	1.00	0.68	M12

Prices are subject to change without notice. Please call for current prices.

Other items are available from the manufacturers, please call for quote.

Beam

TB Cardinal

Environmentally sealed,
2mv/v, 400/350 ohms, 10ft 4 wire. cable, **stainless steel**, IP67
NTEP Legal for Trade 99-018.
OIML R60/1991-DK-97.03

Part Number	Capacity	Nominal	Weight	Stock	List
TB-2.5KM	2,500 lb	5,000 kg	4 lb	239	\$ 490.00

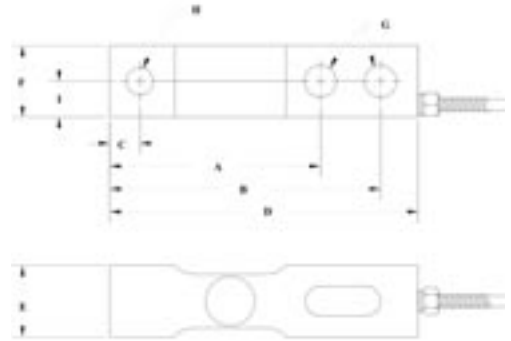


Beam

TB

Dimensions in inches

Capacity	A	B	C	D	E	F	G	H	I
2.5 lb	3.50	4.50	0.50	5.13	1.19	1.19	0.53	M12	0.59



CB6 Cardinal

2 mv/v, 0.03% nonlinearity, 380/350 ohm, 10 ft 4 wire cable, **stainless steel**.
NTEP Legal for Trade 96-091

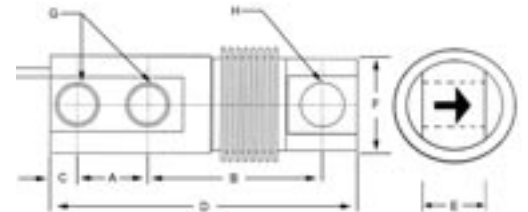
Part Number	Capacity	Weight	Stock	List
CB6-10kg	10 kg	2 lb	5259	\$ 630.00
CB6-20kg	20 kg	2 lb	5260	630.00
CB6-50kg	50 kg	2 lb	5261	630.00
CB6-100kg	100 kg	2 lb	5262	630.00
CB6-200kg	200 kg	2 lb	5263	630.00



CB6-50kg
Stainless steel

Dimensions in inches

Capacity	A	B	C	D	E	F	G	H
10-200kg	0.71	3.30	0.39	4.72	0.79	0.96	0.32	0.32



Prices are subject to change without notice. Please call for current prices.

Other items are available from the manufacturers, please call for quote.

13-01 Pollitt Dr Ext
Fair Lawn NJ 07410
201-797-2718

Totalcomp
Components

www.totalcomp.com
sales@totalcomp.com
Fax 201-797-2287



350N Utilcell

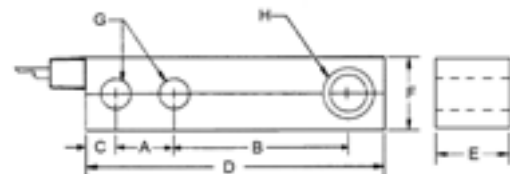
Interchangeable with Sensortronics Model 65023.
 3 mv/v, 350/350 ohm, 20 ft 4 wire cable, nickel plated steel, IP66
 NTEP Legal for Trade 17-009.



350N



Part Number	Capacity	Weight	Stock	List
350N-250-US	250 lb	3 lb	8263	\$ 265.00
350N-500-US	500 lb	3 lb	8264	265.00
350N-1K-US	1,000 lb	3 lb	8265	265.00
350N-1.5K-US	1,500 lb	3 lb	8266	265.00
350N-2K-US	2,000 lb	3 lb	8267	265.00
350N-2.5K-US	2,500 lb	3 lb	8268	265.00
350N-4K-US	4,000 lb	3 lb	8269	265.00
350N-5KSE-US	5,000 lb	3 lb	8270	265.00
350N-5K-US	5,000 lb	5 lb	8271	350.00
350N-10K-US	10,000 lb	5 lb	8272	350.00



Dimensions in inches

Capacity	A	B	C	D	E	F	G	H
1K,4K	1.00	3.00	0.62	5.12	1.23	1.23	0.53	1/2-20
5K,10K	1.50	3.75	0.75	6.75	1.45	1.45	0.78	3/4-16



350A Utilcell

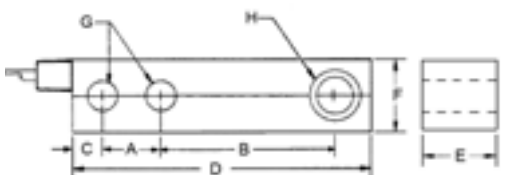
Interchangeable with Sensortronics Model 65023-SS.
 3 mv/v, 350/350 ohm, 20 ft 4 wire cable, **stainless steel**, IP66.
 NTEP Legal for Trade 17-009



350A



Part Number	Capacity	Weight	Stock	List
350A-1K-US	1,000 lb	3 lb	8273	\$ 295.00
350A-1.5K-US	1,500 lb	3 lb	8274	295.00
350A-2.5K-US	2,500 lb	3 lb	8276	295.00
350A-4K-US	4,000 lb	3 lb	8277	295.00
350A-5K-US	5,000 lb	5 lb	8278	395.00
350A-10K-US	10,000 lb	5 lb	8279	395.00



Dimensions in inches

Capacity	A	B	C	D	E	F	G	H
1K,4K	1.00	3.00	0.62	5.12	1.23	1.23	0.53	1/2-20
5K,10K	1.50	3.75	0.75	6.75	1.45	1.45	0.78	3/4-16



350I Utilcell

Hermetically sealed stainless steel cell that is interchangeable with Sensortronics 65083-0100 and RTI 9123. White jacket teflon load cell cable for easy cleaning and high temperature usage.

3 mv/v, 390/350 ohm, 20ft 4 wire teflon cable, **stainless steel**, IP69K

NTEP Legal for Trade 17-009

Part Number	Capacity	Weight	Stock	List
350I-2.5K-US	2,500 lb	3 lb	8282	\$ 325.00
350I-5K-US	5,000 lb	5 lb	8284	435.00
350I-10K-US	10,000 lb	5 lb	8285	435.00

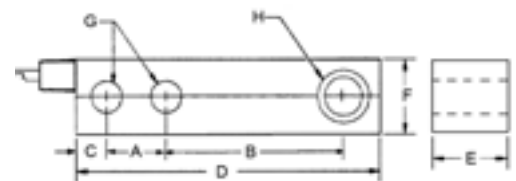
Dimensions in inches

Capacity	A	B	C	D	E	F	G	H
1K-4K	1.00	3.00	0.60	5.12	1.25	1.25	0.53	1/2-20
5K,10K	1.50	3.75	0.75	6.75	1.50	1.50	0.78	3/4-16



Beam

350I



300 Utilcell

Hermetically sealed, low profile, stainless steel bellows and element make this cell ideal for harsh or caustic environments as well as washdown applications. Interchangeable with HBM Z6, RTI SHB, Tedea 355, Cardinal CB6, Scaime F60X, Toledo 777.

2 mv/v, 350/350 ohms, 3 m 4 wire cable, **stainless steel**.

NTEP Legal for Trade 16-057

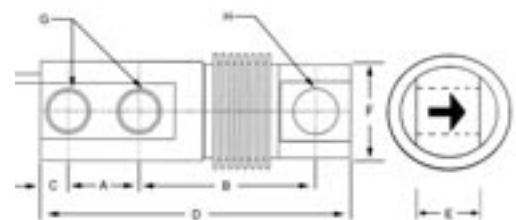
Part Number	Capacity	Nominal	Weight	Stock	List
300-05kg-US	5 kg	10 lb	2 lb	8255	\$ 385.00
300-10kg-US	10 kg	20 lb	2 lb	8256	385.00
300-200kg-US	200 kg	400 lb	2 lb	8260	385.00
300-250kg-US	250 kg	500 lb	2 lb	8261	385.00

Dimensions in inches

Capacity	A	B	C	D	E	F	G	H
5-250kg	0.71	3.23	0.24	4.56	0.79	1.06	0.32	0.32
500kg	0.71	3.23	0.24	4.56	0.79	1.06	0.41	0.44



300



Prices are subject to change without notice. Please call for current prices.

Other items are available from the manufacturers, please call for quote.

13-01 Pollitt Dr Ext
Fair Lawn NJ 07410
201-797-2718

Totalcomp
Components

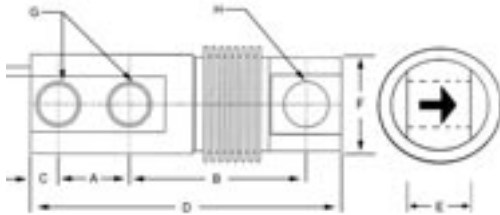
www.totalcomp.com
sales@totalcomp.com
Fax 201-797-2287

Beam

Beam



F60X



F60X Scaime

Hermetically sealed. Interchangeable with HBM Z6 for capacities 10kg to 500kg.
2 mv/v, 0.017% total error, 385/350 ohms, 3 m 6 wire cable, **stainless steel**, IP68.
OIML 613 AK/PA Class III 3,000 div.

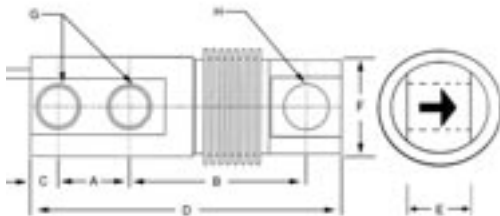
Part Number	Capacity	Nominal	Weight	Stock	List
F60X-10	10 kg	20 lb	2 lb	1933	\$ 608.00
F60X-20	20 kg	40 lb	2 lb	1934	608.00
F60X-50	50 kg	100 lb	2 lb	1935	608.00
F60X-100	100 kg	200 lb	2 lb	1936	608.00
F60X-200	200 kg	400 lb	2 lb	1937	608.00
F60X-300	300 kg	600 lb	2 lb	5745	608.00
F60X-500	500 kg	1,000 lb	2 lb	5746	608.00
F60X-0.5t	0.5 t	1,000 lb	4 lb	5747	1,064.00
F60X-1t	1 t	2,000 lb	4 lb	5748	990.00
F60X-2t	2 t	4,000 lb	4 lb	5749	990.00
F60X-5t	5 t	10,000 lb	8 lb	5750	1,500.00

Dimensions in inches

Capacity	A	B	C	D	E	F	G	H
10-500kg	0.71	3.23	0.39	4.72	0.79	1.06	0.32	0.32
0.5-2t	1.00	3.00	0.45	5.00	1.10	1.42	0.51	M12
5t	1.50	3.75	0.51	6.57	1.97	1.57	0.81	M20



WBLH



WBLH Weigh-Tronix

For use in Weigh-Tronix scales with WBLH load cells
2 mv/v, 383/350 ohms, 25 ft 4 wire cable, **stainless steel**, IP68
NTEP Legal for Trade 87-090

Part Number	Capacity	Weight	Stock	List
57607-0056	1,250 lb	2.35 lb	70	\$ 1,493.00
57608-0055	2,500 lb	4.30 lb	65	1,965.00

Dimensions in inches

Capacity	A	B	C	D	E	F1	F2	G	H
1,250 lb	1.25	3.75	0.375	6.00	0.875	1.25	1.25	0.5	1/2-20UNF
2,500 lb	—	—	—	7.00	—	1.70	1.60	—	5/8-11UNC

Prices are subject to change without notice. Please call for current prices.

Other items are available from the manufacturers, please call for quote.

Beam

WBP Weigh-Tronix

For use in Weigh-Tronix scales
2 mv/v, 350/350 ohm, 20 ft 4 wire cable, stainless steel, IP67.

Part Number	Weigh-Tronix	Capacity	Weight	Stock	List
17257-0129	WBP-5K	5,000 lb	12 lb	6393	\$ 1,379.00



17257-0129
WBP-5K

WBL WBP Weigh-Tronix

For use in Weigh-Tronix scales
2 mv/v, 350/350 ohms, 2 m 4 wire cable, painted steel, IP67.

Part Number	Capacity	Weight	Stock	List
41035-1076	1,250 lb	5 lb	43	\$ 1,173.00
19180-0010	2,500 lb	7 lb	44	1,310.00
13498-0010	5,000 lb	10 lb	45	1,379.00
17255-0071	10,000 lb	18 lb	66	1,691.00
17256-0021	20,000 lb	30 lb	46	2,438.00



WBL WBP

WBT Weigh-Tronix

For use in Weigh-Tronix scales with WBT load cells
2 mv/v, 350/350 ohm, 20 ft 4 wire cable, painted steel, IP67.

Part Number	Weigh-Tronix	Capacity	Weight	Stock	List
18824-0055	WBT-37.5K	37,500 lb	48 lb	563	\$ 2,438.00
50104-0059	WBT-50K	50,000 lb	48 lb	564	2,438.00
55829-0011	WBT-60K	60,000 lb	48 lb	565	2,438.00
AWT27-500080	WBT-75K	75,000 lb	53 lb	287	2,438.00
AWT15-501011	EZ Post suspension double		9 lb	290	685.00



WBT
WeighTronix
for chain link



WBT
WeighTronix
for EZ Post

Prices are subject to change without notice. Please call for current prices.

Other items are available from the manufacturers, please call for quote.

13-01 Pollitt Dr Ext
Fair Lawn NJ 07410
201-797-2718

Totalcomp
Components

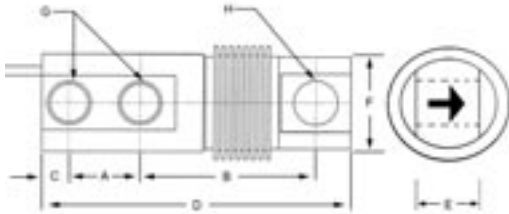
www.totalcomp.com
sales@totalcomp.com
Fax 201-797-2287

Beam

Beam



CFS



CFS - Rhino

Hermetically sealed. Interchangeable with Tedea 355, HBM Z6, RTI SHB, Tedea DC6, Cardinal CB6.

2 mv/v, 380/350 ohms, 3 m 6 wire orange cable, **stainless steel**, IP68.

Part Number	Capacity	Nominal	Weight	Stock	List
CFS Rhino 263505	5 kg	10 lb	2 lb	3618	\$ 271.00

Dimensions in inches

Capacity	A	B	C	D	E	F	G	H
5kg	0.71	3.23	0.39	4.72	0.79	0.91	0.32	0.32



563WS

563 - Anyload

Interchangeable with Avery Weigh-Tronix.

2 mv/v for 563WS

3 mv/v for 563WS30

385 ohm input, 350 ohm output,

6 m 4 wire cable 5,000 lb and less,

15.2 m 4 wire cable 10,000 lb and up

Stainless steel, environmentally sealed IP67.

Part Number	Capacity	Interchange	Weight	Stock	List
563WS-1.25Klb-YZ	1,250 lb	41035-1076	4.85 lb	5185	\$ 640.00
563WS-2.5Klb-YZ	2,500 lb	19180-0010	6.61 lb	5186	640.00
563WS-5Klb-YZ	5,000 lb	13498-0010	13.23 lb	5187	1,023.00
563WS-10Klb-YZ	10,000 lb	17255-0071	15.43 lb	5188	1,153.00
563WS-25Klb-YZ	25,000 lb		34.17 lb	5189	1,796.00
563WS-25Klb-YZ-CG	25,000 lb		34.17 lb	5190	1,796.00
563WS30-37.5Klb-YZ-CG	37,500 lb		40.79 lb	5191	1,796.00
563WS30-37.5Klb-YZ	37,500 lb		40.79 lb	5192	1,796.00
563WS30-50Klb-YZ	50,000 lb	50104-0059	46.30 lb	5193	1,930.00
563WS30-F-60Klb-YZ	60,000 lb	55829-0011	57.32 lb	5194	2,250.00
563WS30-F-75Klb-YZ	75,000 lb	AWT27-500080	57.32 lb	5195	2,250.00

Beam

CG-WBL-SS Coti Global

Interchangeable with Weigh-Tronix Weigh Bar®

Stainless steel single ended beam load cell. Used in small tanks and hoppers Threaded hole. 2.5K capacity is NTEP Legal for Trade Approved.

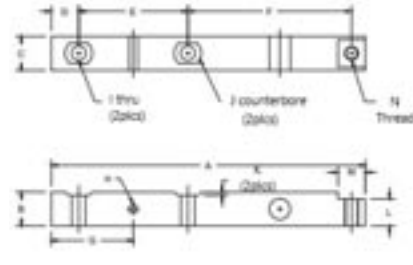
Part Number	Capacity	Weight	Stock	List
CG-WBL-SS-1.25k	1,250 lb	5 lb	97	\$ 723.45
CG-WBL-SS-2.5k	2,500 lb	7 lb	98	723.45

Dimensions in inches

Capacity	A	B	C	D	E	F	G	H	I	J	K	L	M	N
1.25K	11.5	1.25	1.25	1.00	4	6	3.00	0.31	0.53	1.03	0.12	1.00	1.0	1/2-13
2.5K	11.5	1.62	1.62	1.03	4	6	3.03	0.38	0.66	1.25	0.12	1.18	1.5	5/8-11



CG-WBL-SS



CG-BLF Coti Global

Interchangeable with HBM BLF, Fairbanks 3-53581-X, 3-52921-1. Alloy steel single ended beam load cell used in Fairbanks scales.

2 mv/v, 1,080/1,000 ohm, 30 ft 4 wire cable, nickel plated steel, IP67.

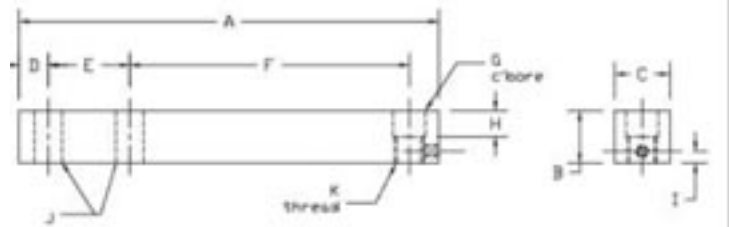
Part Number	Capacity	Weight	Stock	List
CG-BLF-1.5K	1,500 lb	4 lb	663	\$ 606.38
CG-BLF-2.5K	2,500 lb	4 lb	664	606.38
CG-BLF-5K	5,000 lb	5 lb	665	721.88

Dimensions in inches

Capacity	A	B	C	D	E	F	G	H	I	J	K
1.5K - 2.5K	9.0	1.13	1.25	0.62	1.75	6.00	0.69	0.5	0.25	0.53	5/8-18
5K	10.0	1.44	1.50	0.75	2.00	6.25	0.94	0.5	0.50	0.78	7/8-14



CG-BLF



Prices are subject to change without notice. Please call for current prices.

Other items are available from the manufacturers, please call for quote.

13-01 Pollitt Dr Ext
Fair Lawn NJ 07410
201-797-2718

Totalcomp
Components

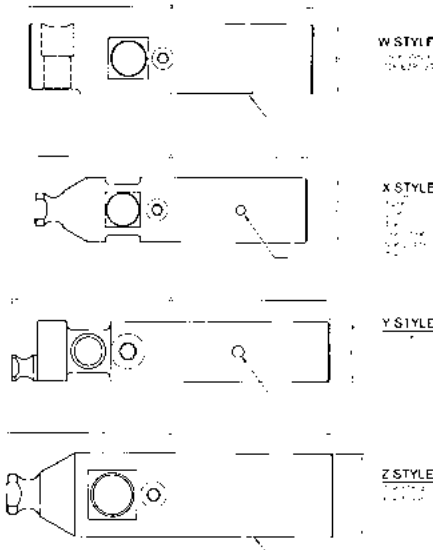
www.totalcomp.com
sales@totalcomp.com
Fax 201-797-2287

Beam

Beam



CG-WB



CG-WB-SS Coti Global

Interchangeable with Weigh-Tronix Weigh Bar®. Stainless steel single ended beam environmentally protected IP67.
 2 mv/v, 350/350 ohms, 20 ft 4 wire cable, **stainless steel**, IP67
 NTEP Legal for Trade 05-043

Part Number	Capacity	Weigh-Tronix	Weight	Stock	List
CG-WB-SS-1.25K*	1,250 lb	14702	5 lb	6674	\$ 571.73
CG-WB-SS-2.5K	2,500 lb	14703	7 lb	6723	571.73
CG-WB-SS-5K	5,000 lb	13798	10 lb	6724	647.96
CG-WB-SS-10K	10,000 lb	13851	17 lb	6725	698.78
CG-WB-SS-25K	25,000 lb	17604	38 lb	6726	1,102.50
CG-WB-SS-37.5K	37,500 lb	18824-0055	38 lb	6727	1,102.50
CG-WB-SS-50K-27173	50,000 lb	27173	38 lb	6728	1,187.92
CG-WB-SS-50K-50104	50,000 lb	50104-0059	42 lb	6729	1,206.98
CG-WB-SS-60K-50935	60,000 lb	50935	45 lb	6467	1,206.98
CG-WB-SS-60K-55829	60,000 lb	55829-0011	48 lb	6739	1,226.03
CG-WB-SS-75K*	75,000 lb	AWT27-500080	100 lb	6591	2,100.00

* Not NTEP

Dimensions in inches

Capacity	Style	A	B	C
1.25k	X	11.50	1.25	0.31
2.5K	X	11.50	1.62	0.38
5K	Y	10.88	2.00	0.38
10K	X	12.62	2.50	0.38
25K-37.5K	X	14.88	3.50	0.50
50K (27173)	X	14.88	3.50	0.50
50K (50104)	Z	14.88	3.75	0.50
50K (50104)	Z	14.88	3.75	0.50
60K (50935)	Z	14.88	3.75	0.50
60K (55829)	W	15.39	3.75	0.50
75K-EZPOST	W	15.50	3.75	0.50
75K	X	18.88	5.00	0.50

Prices are subject to change without notice. Please call for current prices.

Other items are available from the manufacturers, please call for quote.

Beam

Alpha BLH

OIML Legal for Trade Certified Class C 5,000 div.
3 mv/v, 350/350 ohms, 5 ft 4 wire cable, beryllium copper, waterproof.

Part Number	Mfg.	Capacity	Nominal	Weight	Stock	List
Alpha-25 *	469185	2.5 kg	5 lb	1 lb	187	\$ 829.00
Alpha-50	465783	5 kg	10 lb	1 lb	648	829.00
Alpha-100	465784	10 kg	20 lb	1 lb	649	829.00
Alpha-150	465785	15 kg	30 lb	1 lb	650	829.00
Alpha-250	465786	25 kg	50 lb	1 lb	651	829.00
Alpha-500	465788	50 kg	100 lb	1 lb	652	829.00
Alpha-750 *	465789	75 kg	150 lb	1 lb	612	829.00

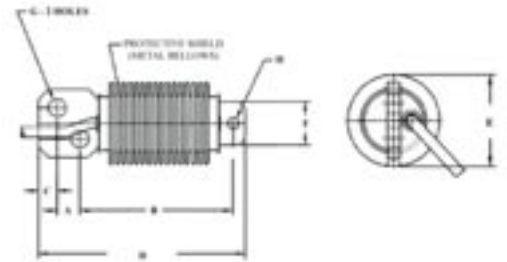
* Not OIML



Alpha

Dimensions in inches

Capacity	A	B	C	D	E	F	G	H
25-500	0.256	1.752	0.216	2.362	0.98	0.50	0.201	0.130



HTK BLH

Web tension measurement module.
2 mv/v, 350/350 ohms, 10m 4 wire cable, stainless steel, IP67

Part Number	Mfg.	Capacity	Nominal	Weight	Stock	List
HTK-2kN	472071	2kN	450 lb	14 lb	7449	\$3,261.00



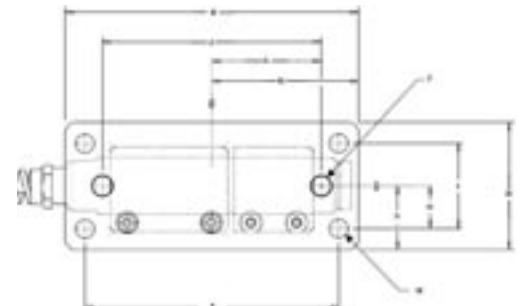
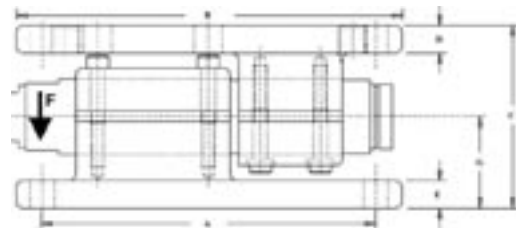
HTK BLH

Dimensions in inches

Capacity	A	B	C	D	E	G	H	I
2kN	5.94	6.87	3.27	0.50	0.50	1.63	3.00	2.01

Dimensions in inches

Capacity	J	K	L	M	N	O	T
500-5K	5.13	3.44	2.56	0.46	1.50	1.00	1/2-20UNF



Prices are subject to change without notice. Please call for current prices.

Other items are available from the manufacturers, please call for quote.

13-01 Pollitt Dr Ext
Fair Lawn NJ 07410
201-797-2718

Totalcomp
Components

www.totalcomp.com
sales@totalcomp.com
Fax 201-797-2287

Beam

Beam



KIS-1
Shown w/ optional
mounting assembly

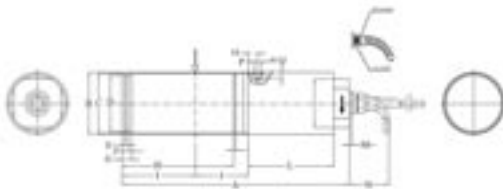
KIS-1 BLH Beam Only

2mv/v, 350/350 ohm, 10m 4 wire cable, **stainless steel**, IP67.

Part Number	Capacity	Nominal	Weight	Stock	List
KIS-1-50	50kN	11,200 lb	25 lb	7863	\$ 2,100.00
KIS-1-100	100kN	22,400 lb	40 lb	7864	2,445.00
KIS-1-200	200kN	44,900 lb	50 lb	7865	3,663.00
KIS-1-500	500kN	112,00 lb	70 lb	7856	8,031.00

Dimensions in inches

Capacity	A	B	C	D	E	F	G	H
50kN	11.46	3.03	2.95	2.76	0.10	0.20	0.47	5.56
100kN	12.40	3.62	3.54	3.23	0.10	0.24	0.59	6.12
200kN	13.62	3.98	3.94	3.54	0.12	0.24	0.59	6.92



Dimensions in inches

Capacity	I	J	K	L	M	N	O	P	Q
50kN	3.66	2.56	0.10	4.33	0.12	1.97	0.55	0.36	0.28
100kN	4.21	2.56	0.12	4.72	0.12	1.97	0.67	0.50	0.31
200kN	5.04	2.56	0.12	5.12	0.12	1.97	0.75	0.62	0.33



KIS-1 w/ mount

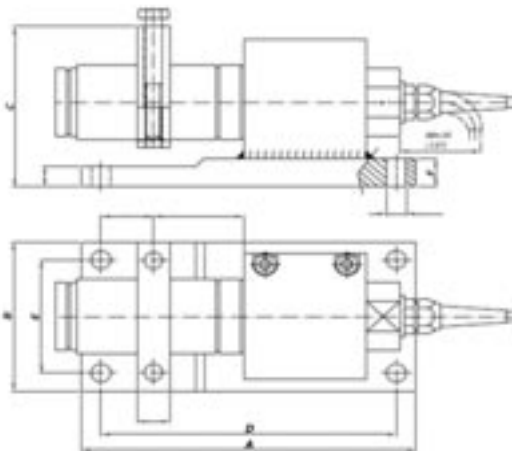
KIS-1 BLH Beam W/Mount

2mv/v, 350/350 ohm, 10m 4 wire cable, **stainless steel**, IP67.

Part Number	Capacity	Nominal	Weight	Stock	List
KIS-1-50 w/ mount	50 kN	11,200 lb	75 lb	1498	\$ 3,414.00
KIS-1-100 w/ mount	100 kN	22,400 lb	105 lb	1499	3,968.00
KIS-1-200 w/ mount	200 kN	44,900 lb	145 lb	1500	5,618.00
KIS-1-500 w/ mount	500 kN	112,000 lb	195 lb	1501	15,472.00

Dimensions in inches

Capacity	A	B	C	D	E	F
50 kN	11.02	5.91	5.98	9.65	4.53	1.18
100 kN	12.20	6.69	6.81	10.63	5.12	1.57
200 kN	13.39	7.09	7.83	11.81	5.51	1.97
300 kN	13.39	7.09	7.83	11.81	5.51	1.97
500 kN	18.90	11.02	12.40	16.54	8.66	2.36



Prices are subject to change without notice. Please call for current prices.

Other items are available from the manufacturers, please call for quote.

Beam

KIS-2 BLH Beam Only

2mv/v, 350/350 ohm, 10m 4 wire cable, stainless steel, IP67.

Part Number	Capacity	Nominal	Weight	Stock	List
KIS-2-0.5 *	0.5kN	112 lb	4 lb	7866	\$ 2,004.00
KIS-2-1	1kN	225 lb	4 lb	7867	2,004.00
KIS-2-2	2kN	450 lb	4 lb	7868	2,004.00
KIS-2-5	5kN	1,120 lb	4 lb	7869	2,004.00
KIS-2-10	10kN	2,250 lb	9 lb	7870	2,012.00
KIS-2-20	20kN	4,500 lb	9 lb	7871	2,028.00
KIS-2-30	30kN	6,750 lb	9 lb	7872	2,028.00
KIS-2-50	50kN	11,200 lb	21p lb	7873	2,517.00

* Custom building



KIS-2
Shown w/ optional
mounting assembly

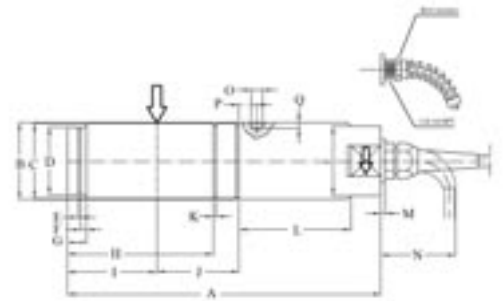
Beam

Dimensions in inches

Capacity	A	B	C	D	E	F	G	H
0.5-5kN	6.65	1.34	1.30	1.14	0.06	0.10	0.39	-----
10-30kN	8.38	2.00	1.97	1.77	0.07	0.16	0.51	3.85
50kN	11.34	3.03	2.95	2.76	0.10	0.20	0.47	5.56

Dimensions in inches

Capacity	I	J	K	L	M	N	O	P	Q
0.5-5kN	1.81	1.38	-----	2.75	0.12	1.97	0.17	0.39	0.9
10-30kN	2.36	2.16	0.08	2.95	0.12	1.97	0.29	0.47	0.20
50kN	3.66	2.56	0.10	4.33	0.12	1.97	0.36	0.55	0.28



KIS-2 BLH Beam W/Mount

2mv/v, 350/350 ohm, 10m 4 wire cable, stainless steel, IP67.

Part Number	Capacity	Nominal	Weight	Stock	List
KIS-2-0.5 w/mount *	0.5kN	112 lb	12 lb	883	\$ 2,541.00
KIS-2-1 w/mount	1kN	225 lb	12 lb	884	2,541.00
KIS-2-2 w/mount	2kN	450 lb	12 lb	885	2,541.00
KIS-2-5 w/mount	5kN	1,120 lb	12 lb	886	2,541.00
KIS-2-10 w/mount	10kN	2,250 lb	15 lb	887	2,654.00
KIS-2-20 w/mount	20kN	4,500 lb	25 lb	888	2,678.00
KIS-2-30 w/mount	30kN	6,750 lb	25 lb	889	2,678.00
KIS-2-50 w/mount	50kN	11,200 lb	75 lb	890	3,952.00

* Custom building



KIS-2
Shown w/ mount

Dimensions in inches

Capacity	A	B	C	D	E	F	G	H
0.5-5kN	6.65	1.34	1.30	1.14	0.06	0.10	0.39	-----
10-30kN	8.38	2.00	1.97	1.77	0.07	0.16	0.51	3.85
50kN	11.34	3.03	2.95	2.76	0.10	0.20	0.47	5.56

Dimensions in inches

Capacity	I	J	K	L	M	N	O	P	Q
0.5-5kN	1.81	1.38	-----	2.75	0.12	1.97	0.17	0.39	0.9
10-30kN	2.36	2.16	0.08	2.95	0.12	1.97	0.29	0.47	0.20
50kN	3.66	2.56	0.10	4.33	0.12	1.97	0.36	0.55	0.28

Prices are subject to change without notice. Please call for current prices.

Other items are available from the manufacturers, please call for quote.

13-01 Pollitt Dr Ext
Fair Lawn NJ 07410
201-797-2718

Totalcomp
Components

www.totalcomp.com
sales@totalcomp.com
Fax 201-797-2287

Beam

Beam



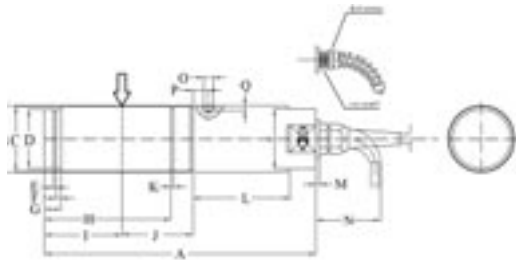
KIS-3
Mount not included



KIS-3 BLH Beam Only

NTEP Legal for Trade, III, 3,000d
2mv/v, 350/350 ohm, 10m 4 wire cable, **stainless steel**, IP67.

Part Number	Capacity	Nominal	Weight	Stock	List
KIS-3-1	1 kN	225 lb	8 lb	7874	\$ 2,533.00
KIS-3-2	2 kN	450 lb	8 lb	7875	2,533.00
KIS-3-5	5 kN	1,120 lb	8 lb	7876	2,533.00
KIS-3-10	10 kN	2,250 lb	12 lb	7877	2,541.00
KIS-3-20	20 kN	4,500 lb	12 lb	7878	2,556.00

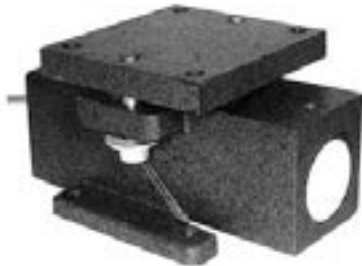


Dimensions in inches

Capacity	A	B	C	D	E	F	G	H
1-5 kN	6.65	1.34	1.30	1.14	0.06	0.10	0.39	----
10-20 kN	8.39	2.01	1.97	1.77	0.07	0.16	0.51	3.85

Dimensions in inches

Capacity	I	J	K	L	M	N	O	P	Q
1-5 kN	1.81	1.38	----	2.76	0.12	1.97	0.17	0.39	0.09
10-20 kN	2.36	2.17	0.08	2.95	0.12	1.97	0.30	0.47	0.20



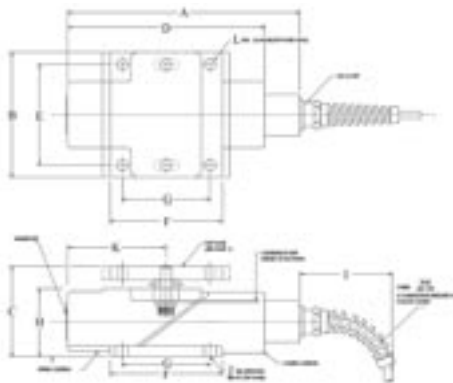
Z-BLOK



Z-BLOK BLH Beam w/ Mount

2mv/v, 350/350 ohm, 10 m 4 wire cable with conduit fitting, **15-5PH stainless steel** beam, Z-BLOK painted single component, waterborne polyurethane copolymer - high gloss ductile iron.

Part Number	Capacity	Weight	Stock	List
468530	500 lb	14 lb	927	\$ 2,038.00
462795	1,000 lb	14 lb	928	2,038.00
462796	2,000 lb	16 lb	929	2,113.00
462797	5,000 lb	18 lb	934	2,301.00
462798	10,000 lb	35 lb	935	3,065.00
462799	20,000 lb	50 lb	936	3,159.00
462800	50,000 lb	85 lb	937	4,263.00



Dimensions in inches

Capacity	A	B	C	D	E	F	G	H
5,000 lb	8.25	4.50	3.47	7.0	3.62	4.0	3.12	2.49
10,000 lb	----	5.50	4.55	9.0	4.42	5.0	3.12	3.36
20,000 lb	----	6.38	5.39	10.0	5.06	5.0	4.18	3.92
50,000 lb	----	7.50	6.98	12.01	6.0	7.0	5.0	4.98

Dimensions in inches

Capacity	I	J	K	L
5,000 lb	3.00	0.43	3.50	3/8-16
10,000 lb	3.00	0.43	4.50	1/2-13
20,000 lb	3.00	0.50	5.0	5/8-11
50,000 lb	3.00	0.69	6.0	3/4-10

Prices are subject to change without notice. Please call for current prices.

Other items are available from the manufacturers, please call for quote.

Tank Mount

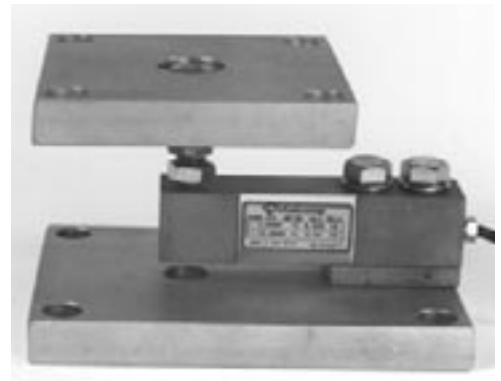
Spherical Washer Beam Mounting Assembly (without load cell)

Spherical Washer Mounting assembly for single ended beams w/threaded load hole, TSB, NSB, 65023, 5123. The weighing vessel will be on a top mounting plate that is on spherical washers. Includes top plate, bottom plate, spacer and (2) bolts. There is 1/8" clearance for alignment of the top plate to the threaded rod that screws into the load cell. Zinc plated steel and **stainless steel**. Add load cell from Beam section.

Part Number	Capacity	Thread	Weight	Stock	List
Zinc Plated Steel					
TSWM-4K	250 - 5,000SE lb	1/2-20	13 lb	3510	\$ 332.00
	SE = Small Envelope 5,000 lb cap				
TSWM-10K	5,000 - 10,000 lb	3/4-16	19 lb	3511	454.00
TSWM-20K-14 *	15,000 - 20,000 lb	1-14	45 lb	2557	526.00
	* Note: TSB-20K, NSB-20K, 65023-20K have 1-14 thread				

Stainless Steel

TSWM-4K-SS	250 - 5,000SE lb	1/2-20	13 lb	3512	483.00
	SE = Small Envelope 5,000 lb cap				
TSWM-10K-SS	5,000 - 10,000 lb	3/4-16	19 lb	3513	757.00
TSWM-20K-14-SS *	15,000 - 20,000 lb	1-14	45 lb	3209	996.00
	* Note: TSB-20K-SS, NSB-20K-SS, 65023-20K-SS have 1-14 thread				
TSWM-20K-12-SS **	15,000 - 20,000 lb	1-12	45 lb	3011	996.00
	** Note: 9123-20K has 1-12 thread				



TSWM-4K w/ optional mount

Tank Mount



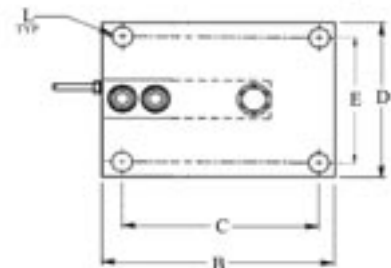
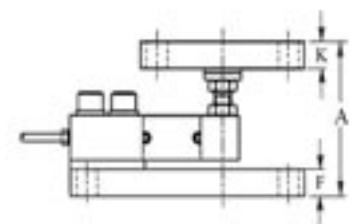
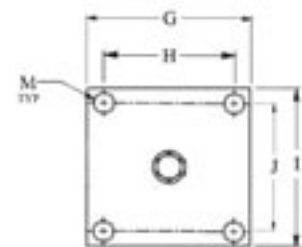
TSWM Kit

Dimensions in inches

Capacity	A	B	C	D	E	F	G
250-5KSE	4-4.50	7.12	6.00	5.00	4.00	0.70	5.00
5K-10k	5-5.50	8.50	7.00	5.00	4.00	0.94	5.00
15K-20k	5-5.50	8.50	7.00	5.00	4.00	1.44	5.00

Dimensions in inches

Capacity	H	I	J	K	L	M
250-5KSE	4.00	5.00	4.00	0.50	0.63	0.63
5K-10k	4.00	5.00	4.00	0.50	0.63	0.63
15K-20k	4.00	5.00	4.00	0.50	0.63	0.63



Prices are subject to change without notice. Please call for current prices.

Other items are available from the manufacturers, please call for quote.

13-01 Pollitt Dr Ext
Fair Lawn NJ 07410
201-797-2718

Totalcomp
Components

www.totalcomp.com
sales@totalcomp.com
Fax 201-797-2287

Tank Mount

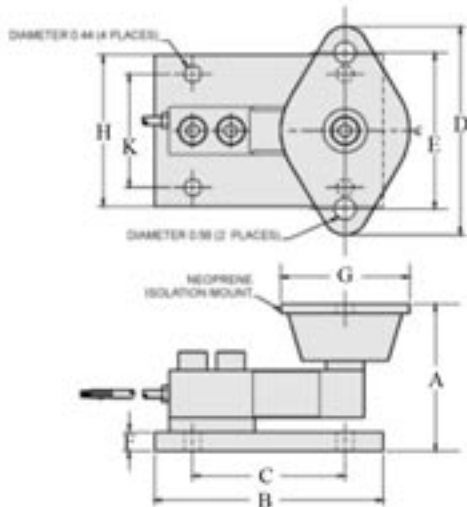
Tank Mount



TM59 Mount



Disassembled view



TM-SC-10-ZP

TM59 Tank Mount Assembly (without load cell) Totalcomp

This assembly will convert a single ended beam into a tank mount. Totalcomp Model TSB, Nikkei Model NSB, Sensortronics Model 65023 and RTI Model 5123 are used in 500 lb to 2,500 lb capacity. Totalcomp Model TB40 or TB41 and Sensortronics Model 60040 are used in 50 lb to 250 lb capacities. The hopper or tank will be mounted firmly to the top neoprene shock absorption pad. The steel base plate is bolted to the floor or suitable structure. Zinc plated steel. Optional **stainless steel**. Add load cell from Beam section.

Part Number	Capacity	Weight	Stock	List
TM59-500	500 lb	3 lb	2699	\$ 410.55
TM59-1K	1,000 lb	3 lb	2700	410.55
TM59-2.5K	1,500 lb - 2,500 lb	4 lb	2701	410.55
TM59-4K	4,000 lb	5 lb	522	410.55

Stainless Steel

TM59-250-SS	50 lb - 250 lb	3 lb	2698	410.55
TM59-500-SS	500 lb	3 lb	2702	431.08
TM59-1K-SS	1,000 lb	3 lb	2703	410.55
TM59-2.5K-SS	1,500 lb - 2,500 lb	4 lb	2704	410.55
TM59-4K-SS	4,000 lb	5 lb	1572	410.55

Dimensions in inches

Capacity	A	B	C	D	E	F	G	H	K
50-250	3.13	4.00	3.25	3.86	3.00	0.50	2.38	3.00	2.25
500	3.88	6.00	4.00	5.50	4.13	0.50	3.38	4.00	3.00
1K	4.00	6.00	4.00	5.13	4.13	0.50	3.00	4.00	3.00
1.5-2.5K	4.00	6.00	4.00	6.25	5.00	0.50	4.62	4.00	3.00

TM-SC Totalcomp, beam mounting assembly (without load cell)

Single ended beams, HBM Model SB3 or RTI Model SSB will mount in this assembly. The load from the hopper or tank will be transmitted to the bottom of a vertical tension bolt that hangs from the load hole. Spherical washers at top and bottom of tension bolt allow for self alignment of the vessel. Zinc plated steel. Add load cell from Beam section.

Part Number	Capacity	Weight	Stock	List
TM-SC-10-ZP	10,000 lb	36 lb	765	\$ 469.00

Prices are subject to change without notice. Please call for current prices.

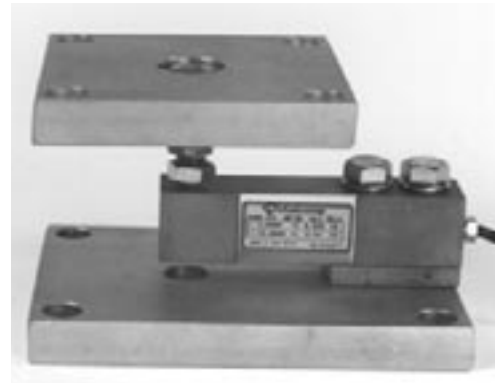
Other items are available from the manufacturers, please call for quote.

Tank Mount

Ball & Socket Beam Mounting Assembly (without load cell)

Ball and Socket Mounting assembly for single ended beams w/threaded load hole, TSB-SS, NSB-SS, 65023-SS, 9123. The weighing vessel will be on a top mounting plate that has a ball and socket for alignment. The ball and socket has a threaded rod that screws into the load cell. **Stainless steel.** Add load cell from Beam section.

Part Number	Capacity	Weight	Stock	List
TBSM-4K-SS	250 - 5,000SE lb	13 lb	3514	\$ 822.00
TBSM-10K-SS	5,000 - 10,000 lb	19 lb	3515	743.00



TBSM-4K-SS
w/ optional load cell

Tank Mount



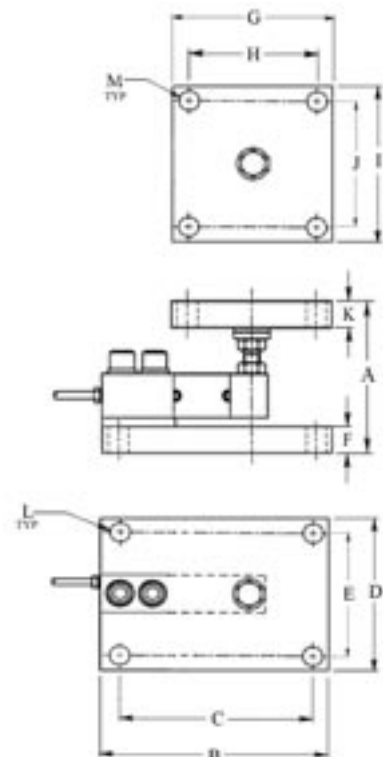
TBSM Kit

Dimensions in inches

Capacity	A	B	C	D	E	F	G
250-5KSE	4-4.50	7.12	6.00	4.00	4.00	0.50	5.00
5K-10k	5-5.50	8.50	7.00	4.00	4.00	0.50	5.00

Dimensions in inches

Capacity	H	I	J	K	L	M
250-5KSE	4.00	5.00	4.00	0.50	0.63	0.63
5K-10k	4.00	5.00	4.00	0.50	0.63	0.63



Prices are subject to change without notice. Please call for current prices.

Other items are available from the manufacturers, please call for quote.

13-01 Pollitt Dr Ext
Fair Lawn NJ 07410
201-797-2718

Totalcomp
Components

www.totalcomp.com
sales@totalcomp.com
Fax 201-797-2287

Tank

Tank



CG-RTM Mount



CG-RTM Coti Global, Tank Mount Assembly

Stainless steel construction. Expansion and contraction due to thermal changes and side load from external forces are handled with a rocker pin mounting. After the side load has been removed the mount will recenter itself using the rocker pin. This mount is unequaled for repeatability. Overload and overlift protection. Integral lateral stops.

2 mv/v, 385/350 ohm, 30 ft 4 wire cable, stainless steel, IP67. FM Approved NTEP Legal for Trade 08-074

Part Number	Capacity	Weight	Stock	List
CG-RTM-500	500 lb	19 lb	8055	\$ 1,061.16
CG-RTM-1K	1,000 lb	19 lb	8056	1,061.16
CG-RTM-1.25K	1,250 lb	19 lb	8057	1,061.16
CG-RTM-2.5K	2,500 lb	19 lb	8058	1,061.16
CG-RTM-4K	4,000 lb	19 lb	8059	1,061.16
CG-RTM-5K	5,000 lb	19 lb	8060	1,243.07
CG-RTM-10K	10,000 lb	25 lb	8061	1,424.99

Dimensions in inches

Capacity	A	B	C	D	E	F	G	H	I
500-2.5K	3.78	7.50	6.50	0.50	4.00	1.00	4.00	3.00	1.00
4K	3.94	7.50	6.50	0.50	4.00	1.00	4.00	3.00	1.00
5K	4.03	7.50	6.50	0.50	4.00	1.00	4.00	3.00	1.00
10K	4.28	8.50	7.50	5.00	4.00	1.00	4.00	3.00	1.00



Dimensions in inches

Capacity	J	K	L	M
500-2.5K	4.50	0.56	1/2-13 UNC	1/2-13 UNC
4K	4.50	0.56	1/2-13 UNC	1/2-13 UNC
5K	4.50	0.56	1/2-13 UNC	1/2-13 UNC
10K	6.00	0.56	1/2-13 UNC	3/4-10 UNC

Mounting assembly parts Toledo

Mouting assembly parts.

Part Number	Weight	Stock	List
Service parts			
68004186 Top plate	15 lb	303	\$ 726.00
69034095 Rocker pin 20k	1 lb	304	212.00
68000587 O ring rocker pin 5k/10k	1 lb	305	8.88
69033692 O-ring 20k	1 lb	536	7.70
68001102 rocker pin 20k	1 lb	534	180.00
69033610 rocker pin 10k	1 lb	535	196.00

Prices are subject to change without notice. Please call for current prices.

Other items are available from the manufacturers, please call for quote.

Tank

RTM HBM, tank mount assembly

All **stainless steel** construction, this tank mount assembly uses a hermetically sealed beam load cell with a blind load hole that has a flat loading surface. Expansion and contraction due to thermal changes and side load from external forces are handled with rocker pin mounting. After the side load has been removed the mount will re-center itself using the rocker pin. This mount is unequalled for repeatability. Overload and overlift protection. Integral lateral stops.

2 mv/v, 350/350 ohms, 15 ft 4 wire cable, 30 ft on 10K, **stainless steel** load cell and mount.

Part Number	Capacity	Weight	Stock	List
RTM-4K	4,000 lb	19 lb	5397	\$ 1,734.00

Replacement load cells

US-THC-2.5K-30715 beam only	2,500 lb	3 lb	5402	714.00
-----------------------------	----------	------	------	--------

Dimensions in inches

Capacity	A	B	C	D	E	F	G
500-2.5K	3.782	7.500	6.500	5.000	4.000	3.000	4.000
4K	3.946	7.500	6.500	5.000	4.000	3.000	4.000
5K	4.030	7.500	6.500	5.000	4.000	3.000	4.000
10K	4.280	8.500	7.500	5.000	4.000	3.000	4.000

Dimensions in inches

Capacity	H	K	L	M	N
500-2.5K	3.000	1.00	1.00	2.590	2.650
4K	3.000	1.00	1.00	2.590	2.650
5K	3.000	1.00	1.00	2.838	2.650
10K	3.000	1.00	1.00	3.088	3.900

TTM Totalcomp, tank mount assembly

All **stainless steel** construction, this tank mount assembly uses a hermetically sealed beam load cell with a blind load hole that has a flat loading surface. Expansion and contraction due to thermal changes and side load from external forces are handled with rocker pin mounting. After the side load has been removed the mount will re-center itself using the rocker pin. This mount is unequalled for repeatability. Overload and overlift protection. Integral lateral stops.

2 mv/v, 350/350 ohms, 15 ft 4 wire cable, **stainless steel** load cell and mount, IP67.

Part Number	Capacity	Weight	Stock	List
TTM-500-SS	500 lb	19 lb	2869	\$ 1,619.00
TTM-4K-SS	4,000 lb	19 lb	2537	1,619.00

Replacement load cells

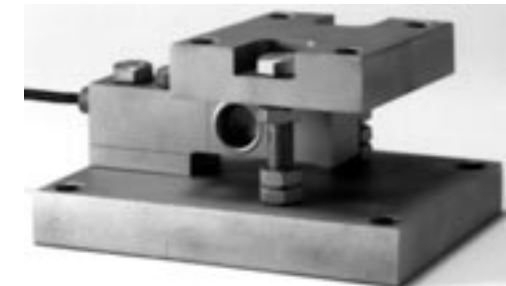
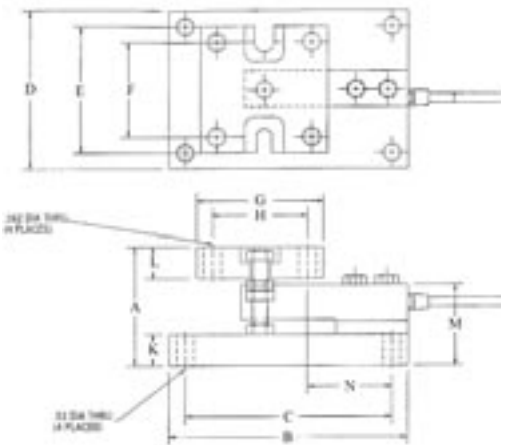
TB745-500-SS	500 lb	3 lb	3072	462.00
TB745-4K-SS	4,000 lb	3 lb	3075	440.00

Dimensions in inches

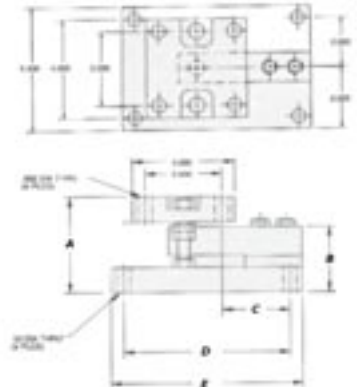
Capacity	A	B	C	D	E
500	3.782	2.590	2.650	6.500	7.500
4K	3.986	2.590	2.650	6.500	7.500



RTM Tank Mount Assembly



TTM Tank Mount Assembly



Prices are subject to change without notice. Please call for current prices.

Other items are available from the manufacturers, please call for quote.

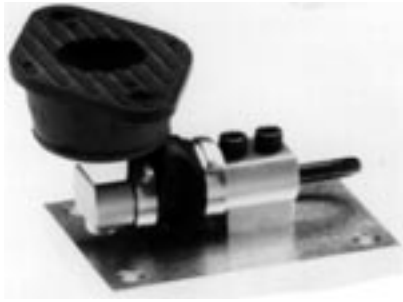
13-01 Pollitt Dr Ext
Fair Lawn NJ 07410
201-797-2718

Totalcomp
Components

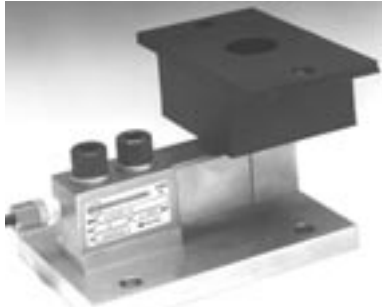
www.totalcomp.com
sales@totalcomp.com
Fax 201-797-2287

Tank

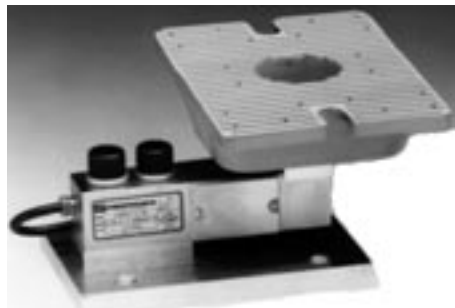
Tank



65059-100 w/ TWA



65059-1K w/TWA



65059-2.5K w/TWA

65059 Sensortronics, Tank Weighing Assembly

Eliminates check rods, provides shock absorption for high impact loads.

3 mv/v, 350 ohms, 20 ft 4 wire cable, nickel plated steel load cell, zinc plated steel mount, neoprene shock mount, IP67.

Part Number	Capacity	Weight	Stock	List
65059-50 w/TWA	50 lb	4 lb	1483	\$ 508.92
65059-75 w/TWA	75 lb	4 lb	1484	508.92
65059-100 w/TWA	100 lb	4 lb	1485	508.92
65059-150 w/TWA	150 lb	4 lb	1486	508.92
65059-250 w/TWA	250 lb	4 lb	1487	508.92
65059-500 w/TWA	500 lb	8 lb	1488	678.21
65059-1K w/TWA	1,000 lb	9 lb	1489	678.21
65059-1.5K w/TWA	1,500 lb	9 lb	1490	678.21
65059-2K w/TWA	2,000 lb	10 lb	1491	678.21
65059-2.5 w/TWA	2,500 lb	10 lb	1492	678.21

Stainless steel load cell & mount

65059-500 w/TWA S.S.	500 lb	8 lb	1641	788.98
65059-1K w/TWA S.S.	1,000 lb	9 lb	1642	788.98
65059-1.5K w/TWA SS	1,500 lb	9 lb	1643	788.98
65059-2K w/TWA S.S.	2,000 lb	10 lb	1644	788.98
65059-2.5 w/TWA S.S.	2,500 lb	10 lb	1645	788.98

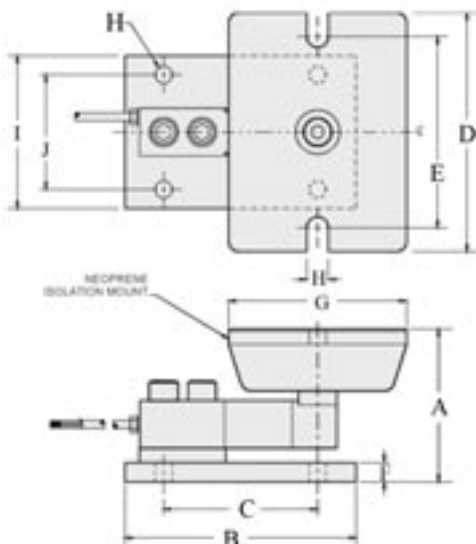
Replacement load cells are available as follows:

Capacities 50 lb through 250 lb use Sensortronics Model 60040.

Capacities 500 lb through 2,500 lb use Sensortronics Model 65023.

Dimensions in inches

Capacity	A	B	C	D	E	F	G	H	I	J
50-250	3.13	4.00	3.25	3.68	3.00	0.50	2.38	0.34	3.00	2.25
500	3.88	6.00	4.00	5.50	4.13	0.50	3.38	0.56	4.00	3.00
1K	4.00	6.00	4.00	5.13	4.13	0.50	3.00	0.44	4.00	3.00
1.5-2.5K	4.00	6.00	4.00	6.25	5.00	0.50	4.62	0.56	4.00	3.00



Prices are subject to change without notice. Please call for current prices.

Other items are available from the manufacturers, please call for quote.

Tank

Stabiflex Scaime, beam mounting assembly (without load cell)

Scaime Model F60X single ended beam will mount in this assembly. Includes top and bottom mounting plates. Electrical ground strap connects the top and bottom plate. Overload stops for downward and upward forces. Ball and cup design limits side load and is self centering. **Stainless steel.** Add load cell from Beam section.

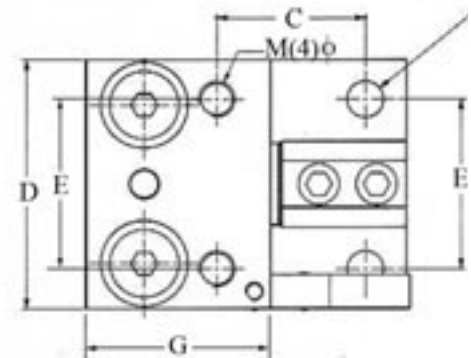
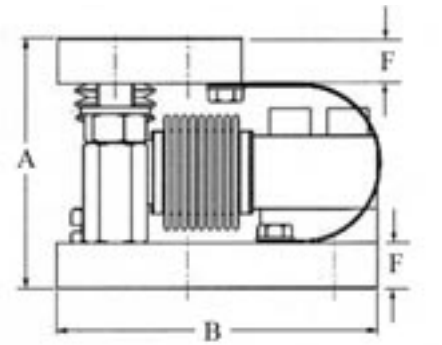
Part Number	Capacity	Nominal	Weight	Stock	List
Stabiflex 500	500 kg	1,000 lb	22 lb	5751	\$ 642.20
Stabiflex 2T	2 t	4,000 lb	36 lb	5752	836.78



Stabiflex

Dimensions in inches

Capacity	A	B	C	D	E	F	G	L	M
500	3.15	5.12	2.67	3.94	2.75	0.59	2.75	0.47	M12 X 1.75
2t	4.33	5.51	2.56	4.33	2.95	0.78	3.15	0.63	M16 X 2



9109 Fairbanks, double ended beam only

2 mv/v, 500/500 ohm, 25 ft 4 wire cable, stainless steel, IP68 .

Part Number	Capacity	Weight	Stock	List
98581 beam DESB SS 9109-3	5,000 lb	3.67 lb	6288	\$ 1,179.00



9109 Tank cell w/ optional mount

Prices are subject to change without notice. Please call for current prices.

Other items are available from the manufacturers, please call for quote.

13-01 Pollitt Dr Ext
Fair Lawn NJ 07410
201-797-2718

Totalcomp
Components

www.totalcomp.com
sales@totalcomp.com
Fax 201-797-2287

Tank

Tank



1408

T408 Totalcomp, Tank Canister Mount Assembly

Low profile canister load cell is hermetically sealed, self checking and has integral mounting plates. This mount allows for thermal expansion and contraction. Also includes built in vibration dampening and a self aligning design. Nickel plated alloy steel or stainless steel construction. Built in leveling assembly for easy installation. Interchangeable with Beowulf model 408 Flexmaster

Alloy steel, nickel plated

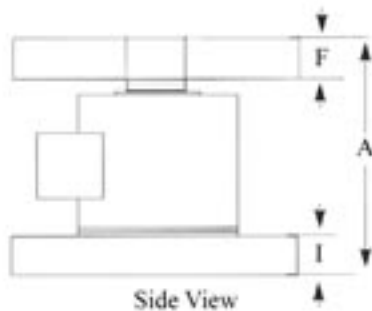
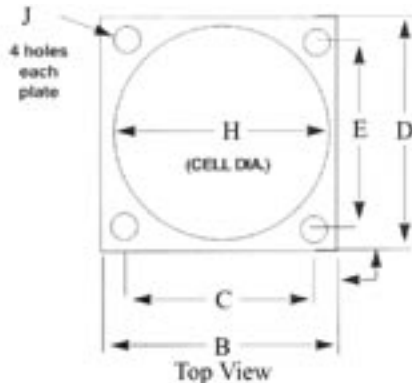
2 mv/v, 1050/1000 ohms, 25 ft 6 wire cable, nickel plated steel load cell and mounting plates, IP67.

Part Number	Capacity	Weight	Stock	List
T408-300	300 lb	13 lb	3823	\$ 1,468.00
T408-500	500 lb	13 lb	3824	1,468.00
T408-1,000	1,000 lb	13 lb	3825	1,468.00
T408-1,500	1,500 lb	13 lb	3826	1,468.00
T408-2,000	2,000 lb	13 lb	3827	1,468.00
T408-3,000	3,000 lb	13 lb	3828	1,468.00
T408-5,000	5,000 lb	13 lb	3829	1,468.00

Stainless steel

2 mv/v, 0.05% nonlinearity, 1050/1000 ohms, 25 ft 6 wire cable, stainless steel load cell and mounting plates, IP67.

Part Number	Capacity	Weight	Stock	List
T408-300-SS	300 lb	13 lb	3830	\$ 1,566.00
T408-500-SS	500 lb	13 lb	3831	1,566.00
T408-1,000-SS	1,000 lb	13 lb	3832	1,566.00
T408-1,500-SS	1,500 lb	13 lb	3833	1,566.00
T408-2,000-SS	2,000 lb	13 lb	3834	1,566.00
T408-3,000-SS	3,000 lb	13 lb	3835	1,566.00
T408-5,000-SS	5,000 lb	13 lb	3836	1,566.00



Dimensions in inches

Capacity	A	B	C	D	E	F	H	I	J
250-5K	4.00	5.00	4.00	5.00	4.00	0.50	3.50	0.50	0.44

Prices are subject to change without notice. Please call for current prices.

Other items are available from the manufacturers, please call for quote.

Tank

TCM Totalcomp, tank canister mount assembly

This tank mount assembly uses a hermetically sealed canister load cell with two attached mounting plates. The lower plate is rigidly mounted to the load cell and the top plate allows horizontal expansion but does not allow the top plate to separate from the load cell. 2 mv/v, 350/350 ohms, 30 ft 4 wire cable, **stainless steel** load cell and mounting plates, IP67.

Part Number	Capacity	Weight	Stock	List
5" x 5" mounting plates				
TCM7-1K-SS	1,000 lb	20 lb	2611	\$ 1,596.00
TCM7-2K-SS	2,000 lb	20 lb	2612	1,596.00
TCM7-5K-SS	5,000 lb	20 lb	2613	1,596.00
8" x 8" mounting plates				
TCM8-10K-SS	10,000 lb	41 lb	2614	1,645.88
TCM8-20K-SS	20,000 lb	41 lb	2615	1,645.88
TCM8-25K-SS	25,000 lb	41 lb	2616	1,645.88
TCM8-50K-SS	50,000 lb	44 lb	2617	1,645.88
TCM8-100K-SS	100,000 lb	50 lb	2825	1,761.38
TCM8-150K-SS	150,000 lb	60 lb	2826	2,223.38
TCM8-200K-SS	200,000 lb	60 lb	2827	2,223.38
TCM8-250K-SS	250,000 lb	60 lb	4475	2,223.38
Replacement load cells				
TC78-1K-SS	1,000 lb	6 lb	2618	945.00
TC78-2K-SS	2,000 lb	6 lb	2619	945.00
TC78-5K-SS	5,000 lb	6 lb	2620	945.00
TC78-10K-SS	10,000 lb	6 lb	2621	945.00
TC78-20K-SS	20,000 lb	6 lb	2622	945.00
TC78-25K-SS	25,000 lb	6 lb	2623	945.00
TC78-50K-SS	50,000 lb	6 lb	2624	945.00
TC78-100K-SS	100,000 lb	13 lb	2829	1,050.00
TC78-150K-SS	150,000 lb	29 lb	2830	1,470.00
TC78-200K-SS	200,000 lb	29 lb	2831	1,470.00
TC78-250K-SS	250,000 lb	29 lb	4476	1,470.00

Dimensions in inches

Capacity	A	B	C	D	E	F	G	H	I	J
1K-5K	5.25	5.00	3.50	5.00	3.50	1.00	1.25	3.00	0.35	3.25
10K-50K	5.25	8.00	6.00	8.00	6.00	1.00	1.25	3.00	0.35	3.25
100K	7.00	8.00	6.00	8.00	6.00	1.00	2.31	4.00	0.55	5.00
150K-250K	9.25	8.00	6.00	8.00	6.00	1.00	3.00	6.00	1.10	7.25

Dimensions in inches

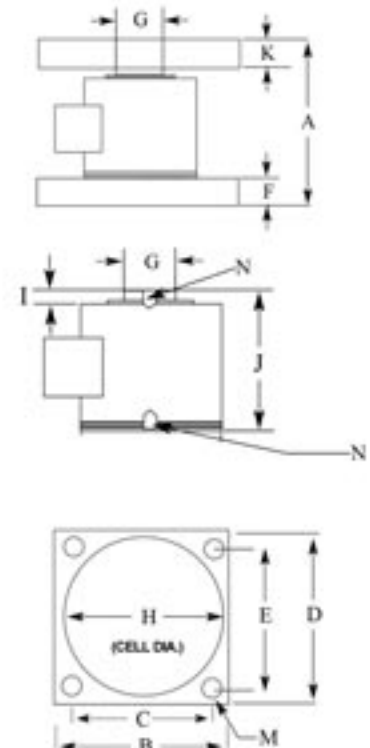
Capacity	K	M	N
1K-5K	1.00	0.560	1/2-20 UNF
10K-50K	1.00	0.560	1/2-20 UNF
100K	1.00	0.560	1/2-20 UNF
150K-250K	1.00	0.625	1/2-20 UNF



TCM8



TC78



Prices are subject to change without notice. Please call for current prices.

Other items are available from the manufacturers, please call for quote.

13-01 Pollitt Dr Ext
Fair Lawn NJ 07410
201-797-2718

Totalcomp
Components

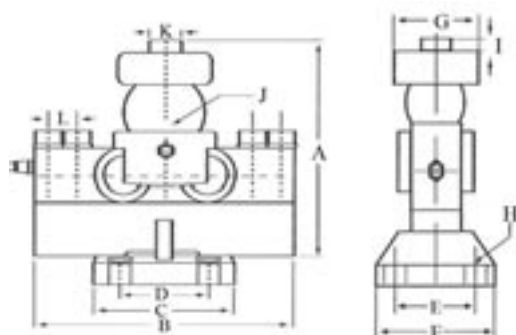
www.totalcomp.com
sales@totalcomp.com
Fax 201-797-2287

Tank

Tank



THWM
Weigh Module



THWM Totalcomp, weigh module

Alloy steel with a hermetically sealed welded covers.
2 mv/v, 700/700 ohms, 40 ft 4 wire cable, nickel plated, IP68.

Part Number	Nominal	Capacity	Weight	Stock	List
THWM 10t weigh module	10 t	20,000 lb	38 lb	7231	\$ 545.00
THWM 20t weigh module	20 t	40,000 lb	38 lb	7232	545.00
THWM 30t weigh module	30 t	60,000 lb	38 lb	7233	545.00
THWM 40tse weigh module	40 t	80,000 lb	38 lb	7234	545.00
THWM 40t weigh module	40 t	80,000 lb	38 lb	7235	980.00
THWM 50t weigh module	50 t	100,000 lb	38 lb	7236	980.00

Dimensions in inches

Capacity	A	B	C	D	E	F	G	H	I
10t	7.68	9.45	4.92	3.15	3.94	5.31	3.46	0.71	0.43
20-40tse	8.86	9.45	4.92	3.15	3.94	5.31	3.46	0.71	0.43
40t, 50t	10.28	13.39	6.30	4.92	4.92	6.30	3.78	0.87	0.43



363TSM1
Weigh Module

363TSM1 Anyload, weigh module

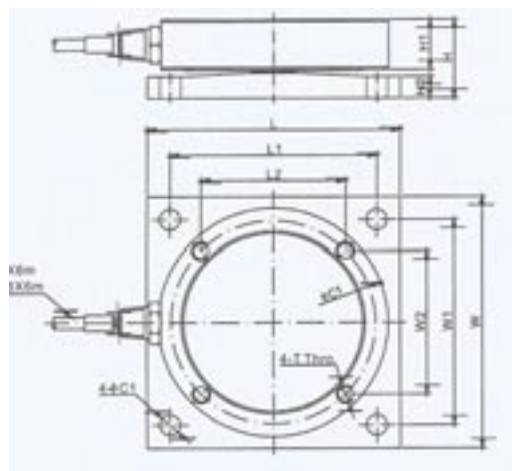
Low profile design. **Stainless steel** with hermetically sealed construction.
3 mv/v, 700/700 ohms, 6m 4 wire cable, **stainless steel**, IP68/IP69

Part Number	Capacity	Weight	Stock	List
363TSM1-1Klb weigh module	1,000 lb	4 lb	2832	\$ 896.00
363TSM1-2.5Klb weigh module	2,500 lb	4 lb	2833	896.00
363TSM1-5Klb weigh module	5,000 lb	8 lb	2834	932.00
363TSM1-10Klb weigh module	10,000 lb	8 lb	2835	932.00
363TSM1-25Klb weigh module	25,000 lb	16 lb	2836	1,516.00
363TSM1-50Klb weigh module	50,000 lb	16 lb	2837	1,667.00
363TSM1-100Klb weigh module	100,000 lb	55 lb	2838	2,987.00
363TSM1-200Klb weigh module	200,000 lb	95 lb	2839	5,344.00

Dimensions in inches

Capacity	C	C1	H	H1	H2	L	L1	L2	W
1K, 2.5K	3.94	0.35	1.02	0.65	0.26	4.33	3.54	2.48	4.33
5K, 10K	4.72	0.35	1.40	0.93	0.33	5.12	4.33	3.00	5.12
25K, 50K	5.75	0.53	2.09	1.38	0.55	6.22	4.92	3.51	6.22
100K	8.43	0.83	3.07	1.97	0.83	9.84	8.11	4.98	9.84
200K	9.84	1.06	3.82	2.32	1.14	11.22	8.86	5.76	11.22

Capacity	W1	W2	T
1K, 2.5K	3.54	2.48	5/16-18UNC
5K, 10K	4.33	3.00	3/8-16UNC
25K, 50K	4.92	3.51	1/2-20UNF
100K	8.11	4.98	3/4-16UNF
200K	8.86	5.76	1-14UNS



Capacity < 10Klb/5t : Cable #5.1X6m
Capacity >= 25Klb/12t : Cable #7.6X6m

Prices are subject to change without notice. Please call for current prices.

Other items are available from the manufacturers, please call for quote.

Tank

RLC & Weighing Assembly Revere

Hermetically sealed **stainless steel** cell and stainless steel weighing assembly.

Ring Torsion load cell

2 mv/v, 1115/1025 ohms, 3m 4 wire cable 250kg to 1t, 5m 4 wire cable 2t to 10t, **stainless steel**, IP67

Part Number	Capacity	Weight	Stock	List
43S-RLC-250kg-D3	250 kg	16 lb	4119	\$ 1,264.45
43S-RLC-500kg-A5	500 kg	16 lb	4120	1,314.61
43S-RLC-1t-A5	1,000 kg	16 lb	4121	1,314.61
43S-RLC-2t-A5	2,000 kg	18 lb	4122	1,366.86
43S-RLC-3.5t-A5	3,500 kg	18 lb	4123	1,414.93
43S-RLC-5t-A5	5,000 kg	18 lb	4124	1,414.93



Tank

RLC
w/ Weighing Assembly

RLC Revere Transducers, load cell only

Hermetically sealed **stainless steel** cell

2 mv/v, 0.02% combined error, 1115/1025 ohms, 3m 4 wire cable 250kg to 1t, 5m 4 wire cable 2t to 10t, **stainless steel**.

NTEP Legal for Trade 97-082

Part Number	Capacity	Weight	Stock	List
RLC-D3-250kg-3MP1 *	250 kg	2 lb	4126	\$ 770.17
RLC-B10-500kg-3MP1	500 kg	2 lb	4127	770.17
RLC-B10-1t-3MP1	1,000 kg	2 lb	4128	770.17
RLC-A5-2t-5MP1	2,000 kg	3 lb	4129	770.17
RLC-A5-3.5t-5MP1	3,500 kg	3 lb	4130	770.17
RLC-A5-5t-5MP1	5,000 kg	3 lb	4131	770.17
RLC-D3-10t-5MP1 *	10,000 kg	3 lb	4132	888.25

* Not NTEP

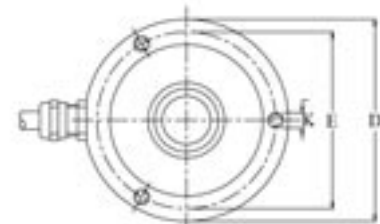
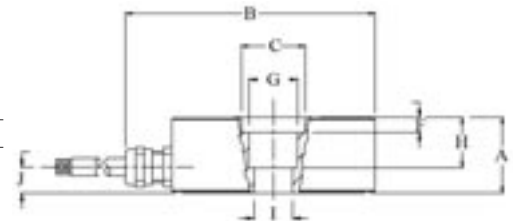


RLC



Dimensions in inches

Capacity	A	B	C	D	E	F	G	H	I	J
250-1kg	25	97.5	25	80	70	1.0	19.0	15.0	M10	9.5
2-5kg	30	97.5	25	80	70	6.0	19.0	20.0	15 H7	8.5
10kg	35	112.5	----	95	83	----	29.1	14.8	24.9	10.0



Prices are subject to change without notice. Please call for current prices.

Other items are available from the manufacturers, please call for quote.

13-01 Pollitt Dr Ext
Fair Lawn NJ 07410
201-797-2718

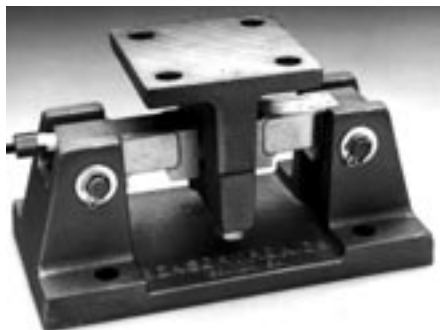
Totalcomp
Components

www.totalcomp.com
sales@totalcomp.com
Fax 201-797-2287

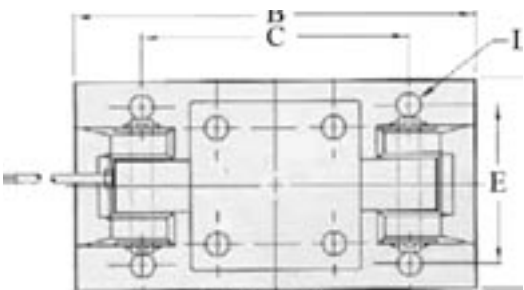
Tank



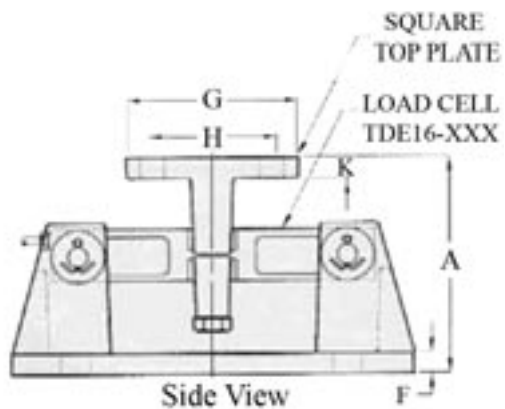
665016
Beam only



65016
w/ mounting assembly



Top View



Side View

Tank weighing assembly needs (1) load cell and (1) mount

65016 Scentroid, beam only

3 mv/v, 700 ohms, 25 ft 4 wire cable, nickel plated steel, IP67.

Part Number	Capacity	Weight	Stock	List
65016-1K	1,000 lb	4 lb	314	\$ 559.49
65016-1.5K	1,500 lb	4 lb	925	560.75
65016-2K	2,000 lb	4 lb	315	571.66
65016-2.5K	2,500 lb	4 lb	316	571.66
65016-5K	5,000 lb	4 lb	317	536.50
65016-10K	10,000 lb	8 lb	318	639.04
65016-15K	15,000 lb	8 lb	319	639.04
65016-20K	20,000 lb	8 lb	328	639.04
65016-25K	25,000 lb	8 lb	320	573.83
65016-35K	35,000 lb	16 lb	2866	891.18
65016-50K	50,000 lb	25 lb	321	1,008.55
65016-75K	75,000 lb	25 lb	538	1,008.55

Dimensions in inches

Capacity	A	B	C	D	E	F	G
1-5K	7.50	1.22	1.22	6.25	1.12	1.25	1.22
10-25K	8.75	1.44	1.94	7.50	1.62	1.99	1.44
35K	8.75	1.44	2.44	7.50	1.62	2.50	1.44
50K	13.50	2.44	2.94	11.50	3.25	2.99	1.31
75K	13.50	2.44	2.94	11.50	3.25	-----	1.31

1605 Scentroid, tank weighing assembly only

Mounting is cast ductile iron with baked on aluminized coating.

Part Number	Capacity	Weight	Stock	List
1605	1,000 - 5,000 lb	18 lb	878	\$ 370.98
1625	10,000 - 25,000 lb	63 lb	879	536.09
1625-0112	35,000 lb	63 lb	2473	737.77
1650	50,000 - 60,000 lb	140 lb	880	1,085.76
1675	75,000 lb	140 lb	104	1,085.76

Dimensions in inches

Capacity	A	B	C	D	E	F	G	H	K	L
1K-5K	5.13	9.35	6.25	5	3.75	0.50	4	2.75	0.50	0.56
10K-35K	7.90	12.00	7.50	8	6.00	0.75	8	6.00	0.75	0.78
50K-75K	9.30	16.25	11.50	12	9.50	1.00	9	6.50	1.00	0.78
100K-200K	11.75	23.50	20.00	14	12.00	1.50	10	8.00	1.50	1.12

Prices are subject to change without notice. Please call for current prices.

Other items are available from the manufacturers, please call for quote.

Tank

Tank weighing assembly needs (1) load cell and (1) mount

65016W-SS Sensortronics, beam only

3 mv/v, 700 ohms, 25 ft 4 wire cable, stainless steel, IP67.

Part Number	Capacity	Weight	Stock	List
65016-1K-W-SS	1,000 lb	4 lb	938	\$ 704.25
65016-1.5K-W-SS	1,500 lb	4 lb	939	695.55
65016-2K-W-SS	2,000 lb	4 lb	940	704.25
65016-2.5K-W-SS	2,500 lb	4 lb	941	704.25
65016-5K-W-SS	5,000 lb	4 lb	942	704.25
65016-10K-W-SS	10,000 lb	8 lb	943	716.41
65016-15K-W-SS	15,000 lb	8 lb	944	717.29
65016-20K-W-SS	20,000 lb	8 lb	945	717.29
65016-25K-W-SS	25,000 lb	8 lb	946	717.29
65016-35K-W-SS	35,000 lb	16 lb	2862	1,173.74
65016-50K-W-SS	50,000 lb	25 lb	947	1,421.53
65016-75K-W-SS	75,000 lb	25 lb	948	1,421.53

Dimensions in inches

Capacity	A	B	C	D	E	F	G
1-5K	7.50	1.22	1.22	6.25	1.12	1.25	1.22
10-25K	8.75	1.44	1.94	7.50	1.62	1.99	1.44
35K	8.75	1.44	2.44	7.50	1.62	2.50	1.44
50K	13.50	2.44	2.94	11.50	3.25	2.99	1.31
75K	13.50	2.44	2.94	11.50	3.25	-----	1.31

1605-SS Sensortronics, mounting assembly only

Mounting assembly is cast stainless steel. These mounts are cast with 17-4 PH stainless steel and are prone to surface blemishes and discoloration. They are not suitable for food, medical or pharmaceutical applications.

Part Number	Capacity	Weight	Stock	List
1605-SS	1,000 - 5,000 lb	17 lb	1385	\$ 501.60
1625-SS	10,000 - 25,000 lb	56 lb	1386	997.98
1625-0104-SS	35,000 lb	56 lb	1717	1,348.05
1650-SS	50,000 - 60,000 lb	130 lb	1387	2,711.00
1675-SS	75,000 lb	130 lb	1496	2,711.00

Dimensions in inches

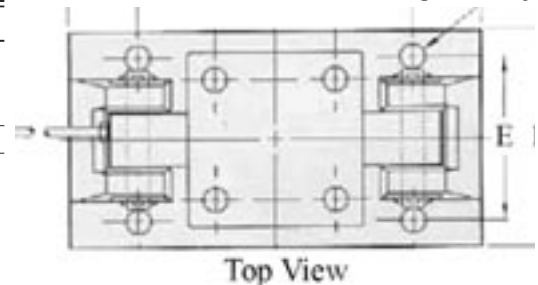
Capacity	A	B	C	D	E	F	G	H	K	L
1K-5K	5.13	9.35	6.25	5	3.75	0.50	4	2.75	0.50	0.56
10K-35K	7.90	12.00	7.50	8	6.00	0.75	8	6.00	0.75	0.78
50K-75K	9.30	16.25	11.50	12	9.50	1.00	9	6.50	1.00	0.78
100K-200K	11.75	23.50	20.00	14	12.00	1.50	10	8.00	1.50	1.12



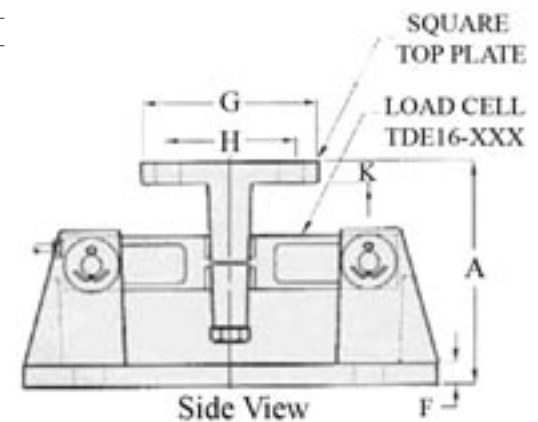
65016W-SS
Beam only



1605-SS
w/ mounting assembly



Top View



Side View

Prices are subject to change without notice. Please call for current prices.

Other items are available from the manufacturers, please call for quote.

13-01 Pollitt Dr Ext
Fair Lawn NJ 07410
201-797-2718

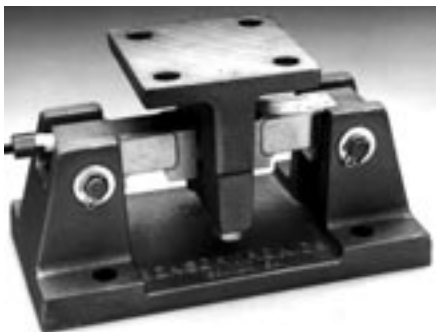
Totalcomp
Components

www.totalcomp.com
sales@totalcomp.com
Fax 201-797-2287

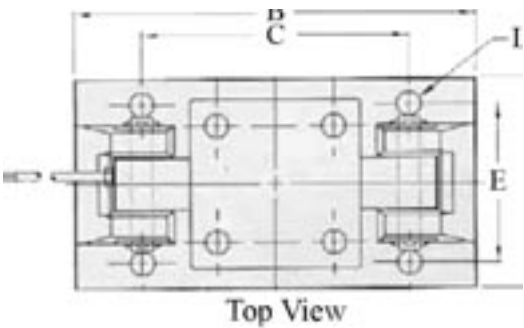
Tank



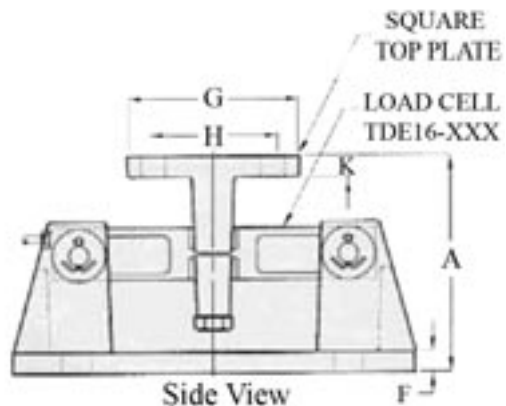
65016WG-SS
Beam only



65016
w/ mounting assembly



Top View



Side View

Tank weighing assembly needs (1) load cell and (1) mount

65016WH-SS Sensortronics, beam only

Welded hermetically sealed.
3 mv/v, 700 ohms, 25 ft 4 wire cable, **stainless steel**, IP68.

Part Number	Capacity	Weight	Stock	List
65016-1K-WH-SS	1,000 lb	4 lb	5434	\$ 843.36
65016-1.5K-WH-SS	1,500 lb	4 lb	5435	843.36
65016-2K-WH-SS	2,000 lb	4 lb	5436	843.36
65016-2.5K-WH-SS	2,500 lb	4 lb	5437	843.36
65016-5K-WH-SS	5,000 lb	4 lb	5439	843.36
65016-10K-WH-SS	10,000 lb	8 lb	5440	945.52
65016-15K-WH-SS	15,000 lb	8 lb	5441	945.52
65016-20K-WH-SS	20,000 lb	8 lb	5442	945.52
65016-25K-WH-SS	25,000 lb	8 lb	5443	945.52

Dimensions in inches

Capacity	A	B	C	D	E	F	G
1-5K	7.50	1.22	1.22	6.25	1.12	1.25	1.22
10-25K	8.75	1.44	1.94	7.50	1.62	1.99	1.44
35K	8.75	1.44	2.44	7.50	1.62	2.50	1.44
50K	13.50	2.44	2.94	11.50	3.25	2.99	1.31
75K	13.50	2.44	2.94	11.50	3.25	----	1.31

1605-SS Sensortronics, mounting assembly only

Mounting assembly is cast **stainless steel**. These mounts are cast with 17-4 PH stainless steel and are prone to surface blemishes and discoloration. They are not suitable for food, medical or pharmaceutical applications.

Part Number	Capacity	Weight	Stock	List
1605-SS	1,000 - 5,000 lb	17 lb	1385	\$ 501.60
1625-SS	10,000 - 25,000 lb	56 lb	1386	997.98
1625-0104-SS	35,000 lb	56 lb	1717	1,348.05
1650-SS	50,000 - 60,000 lb	130 lb	1387	2,711.78
1675-SS	75,000 lb	130 lb	1496	2,711.78

Dimensions in inches

Capacity	A	B	C	D	E	F	G	H	K	L
1K-5K	5.13	9.35	6.25	5	3.75	0.50	4	2.75	0.50	0.56
10K-35K	7.90	12.00	7.50	8	6.00	0.75	8	6.00	0.75	0.78
50K-75K	9.30	16.25	11.50	12	9.50	1.00	9	6.50	1.00	0.78
100K-200K	11.75	23.50	20.00	14	12.00	1.50	10	8.00	1.50	1.12

Prices are subject to change without notice. Please call for current prices.

Other items are available from the manufacturers, please call for quote.

Tank

Tank weighing assembly needs (1) load cell and (1) mount

CG-16-SSW Coti Global

Interchangeable with Rice Lake RL75016SS/RL75016WHE, Sensortronics 65016W/65015WH, Revere 9203 and Celtron DSR HHS.
3 mv/v, 700/700 ohms, 1K-5K 50 ft 4 wire cable, 10K-75K 50 ft braided shield, welded seal, stainless steel, IP67.

Part Number	Capacity	Weight	Stock	List
CG-16-1K-SSW	1,000 lb	4 lb	8033	\$ 617.93
CG-16-1.5K-SSW	1,500 lb	4 lb	8034	617.93
CG-16-2K-SSW	2,000 lb	4 lb	8035	617.93
CG-16-2.5K-SSW	2,500 lb	4 lb	8036	617.93
CG-16-3K-SSW	3,000 lb	4 lb	8037	617.93
CG-16-5K-SSW	5,000 lb	4 lb	8038	617.93
CG-16-10K-SSW	10,000 lb	7 lb	8039	663.00
CG-16-15K-SSW	15,000 lb	7 lb	8040	653.00
CG-16-20K-SSW	20,000 lb	7 lb	8041	653.00
CG-16-25K-SSW	25,000 lb	7 lb	8042	653.00
CG-16-35K-SSW	35,000 lb	7 lb </td <td>8043</td> <td>653.00</td>	8043	653.00
CG-16-50K-SSW	50,000 lb	25 lb	8044	1,336.00
CG-16-75K-SSW	75,000 lb	25 lb	8045	1,336.00

Dimensions in inches

Capacity	A	B	C	D	E	F	G	H	I
1K-5K	7.50	1.25	1.25	6.25	0.62	1.15	0.50	1.25	----
10K-25K	8.75	1.94	1.44	7.50	0.62	2.00	0.81	2.00	----
35K	8.75	2.50	1.50	7.50	0.62	2.00	0.81	2.50	----
50K	13.50	2.94	2.44	11.50	1.00	3.20	1.31	3.00	----
75K	13.50	2.94	2.44	11.50	1.00	3.20	1.31	-----	0.17

1605-SS Sensortronics, mounting assembly only

Mounting assembly is cast stainless steel. These mounts are cast with 17-4 PH stainless steel and are prone to surface blemishes and discoloration. They are not suitable for food, medical or pharmaceutical applications.

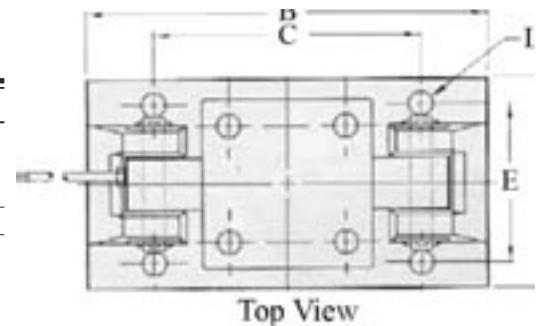
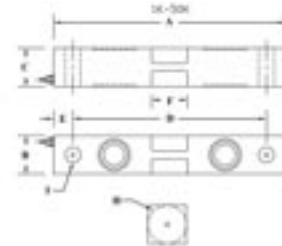
Part Number	Capacity	Weight	Stock	List
1605-SS	1,000 - 5,000 lb	17 lb	1385	\$ 501.60
1625-SS	10,000 - 25,000 lb	56 lb	1386	997.98
1625-0104-SS	35,000 lb	56 lb	1717	1,348.05
1650-SS	50,000 - 60,000 lb	130 lb	1387	2,711.78
1675-SS	75,000 lb	130 lb	1496	2,711.78

Dimensions in inches

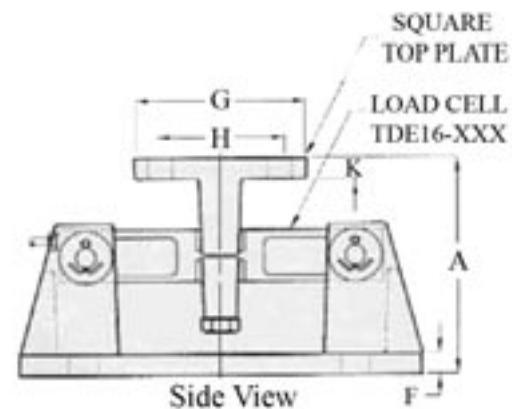
Capacity	A	B	C	D	E	F	G	H	K	L
1K-5K	5.13	9.35	6.25	5	3.75	0.50	4	2.75	0.50	0.56
10K-35K	7.90	12.00	7.50	8	6.00	0.75	8	6.00	0.75	0.78
50K-75K	9.30	16.25	11.50	12	9.50	1.00	9	6.50	1.00	0.78
100K-200K	11.75	23.50	20.00	14	12.00	1.50	10	8.00	1.50	1.12



CG-16 SSW



Top View



Side View

Prices are subject to change without notice. Please call for current prices.

Other items are available from the manufacturers, please call for quote.

13-01 Pollitt Dr Ext
Fair Lawn NJ 07410
201-797-2718

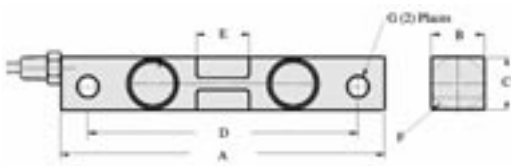

Components

www.totalcomp.com
sales@totalcomp.com
Fax 201-797-2287

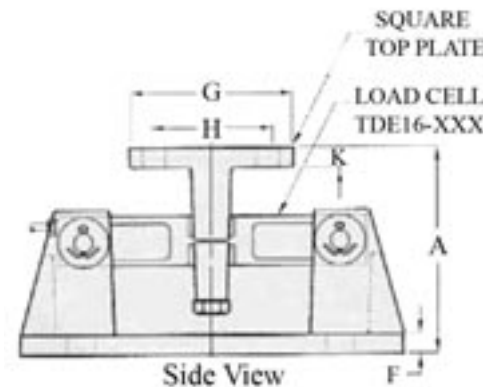
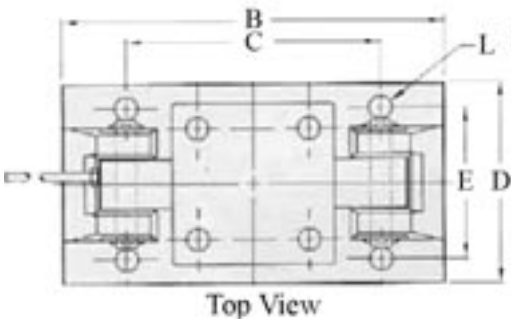
Tank



TDE16
Beam only



TDE-16
w/ Tank Mount Assembly



Tank weighing assembly needs (1) load cell and (1) mount

TDE16 Totalcomp, beam only

Interchangeable with Sensortronics Model 65016.
3 mv/v, 700/700 ohm, 25 ft 4 wire cable, nickel plated steel, IP67.

Part Number	Capacity	Weight	Stock	List
TDE16-1K	1,000 lb	4 lb	2359	\$ 513.98
TDE16-1.5K	1,500 lb	4 lb	2360	513.98
TDE16-2K	2,000 lb	4 lb	2361	513.98
TDE16-2.5K	2,500 lb	4 lb	2362	513.98
TDE16-5K	5,000 lb	4 lb	2364	513.98
TDE16-10K	10,000 lb	8 lb	2365	587.90
TDE16-15K	15,000 lb	8 lb	2366	587.90
TDE16-20K	20,000 lb	8 lb	2367	587.90
TDE16-25K	25,000 lb	8 lb	2368	587.90
TDE16-35K	35,000 lb	16 lb	4183	947.10
TDE16-50K	50,000 lb	25 lb	2369	911.30
TDE16-75K	75,000 lb	25 lb	2806	911.30

Dimensions in inches

Capacity	A	B	C	D	E	F	G
1-5K	7.50	1.22	1.22	6.25	1.12	1.25	1.22
10-25K	8.75	1.44	1.94	7.50	1.62	1.99	1.44
35K	8.75	1.44	2.44	7.50	1.62	2.50	1.44
50K	13.50	2.44	2.94	11.50	3.25	2.99	1.31
75K	13.50	2.44	2.94	11.50	3.25	----	1.31

TM16 Totalcomp, tank mount assembly only

Welded steel, epoxy painted finish.

Part Number	Capacity	Weight	Stock	List
TM16-5	1,000 - 5,000 lb	17 lb	2374	\$ 216.00
TM16-25	10,000 - 25,000 lb	56 lb	2375	418.00
TM16-35	35,000 lb	56 lb	4184	418.00
TM16-50	50,000 lb	130 lb	2376	1,407.00
TM16-75	75,000 lb	130 lb	2810	1,407.00

Dimensions in inches

Capacity	A	B	C	D	E	F	G	H	I	J
1K-5K	5.13	9.35	6.25	5	3.75	0.50	4.00	2.75	0.50	0.56
10K-35K	7.90	12.00	7.50	8	6.00	0.75	8.00	6.00	0.75	0.78
50K-75K	9.30	16.25	11.50	12	9.50	1.00	9.00	6.50	1.00	0.78
100K-200K	11.75	23.50	20.00	14	12.00	1.50	10.00	8.00	1.50	1.12

Prices are subject to change without notice. Please call for current prices.

Other items are available from the manufacturers, please call for quote.

Tank

Tank weighing assembly needs (1) load cell and (1) mount

TDE16-SS Totalcomp, beam only

Interchangeable with Sensortronics Model 65016.

3 mv/v, 700/700 ohm, 25 ft 4 wire cable 5K-20K, 30 ft 4 wire cable 30K-60K, **stainless steel**, IP67.

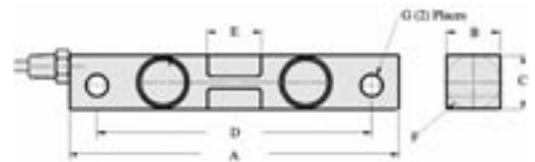
Part Number	Capacity	Weight	Stock	List
TDE16-1K-SS	1,000 lb	4 lb	2380	\$ 537.08
TDE16-1.5K-SS	1,500 lb	4 lb	2381	537.08
TDE16-2K-SS	2,000 lb	4 lb	2382	537.08
TDE16-2.5K-SS	2,500 lb	4 lb	2383	537.08
TDE16-5K-SS	5,000 lb	5 lb	2385	537.08
TDE16-10K-SS	10,000 lb	8 lb	2386	611.00
TDE16-15K-SS	15,000 lb	8 lb	2387	611.00
TDE16-20K-SS	20,000 lb	8 lb	2388	611.00
TDE16-25K-SS	25,000 lb	8 lb	2389	611.00
TDE16-35K-SS	35,000 lb	16 lb	1265	1,247.40
TDE16-50K-SS	50,000 lb	25 lb	2390	1,206.98
TDE16-75K-SS	75,000 lb	25 lb	2391	1,414.08

Dimensions in inches

Capacity	A	B	C	D	E	F	G
1-5K	7.50	1.22	1.22	6.25	1.12	1.25	1.22
10-25K	8.75	1.44	1.94	7.50	1.62	1.99	1.44
35K	8.75	1.44	2.44	7.50	1.62	2.50	1.44
50K	13.50	2.44	2.94	11.50	3.25	2.99	1.31
75K	13.50	2.44	2.94	11.50	3.25	-----	1.31



TDE16
Beam only



TDE-16-SS
w/ Tank Mount Assembly

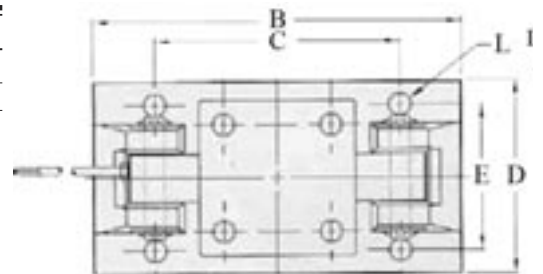
TM16-SS tank mount assembly only

Welded steel, **stainless steel**. Suitable for food, medical and pharmaceutical applications.

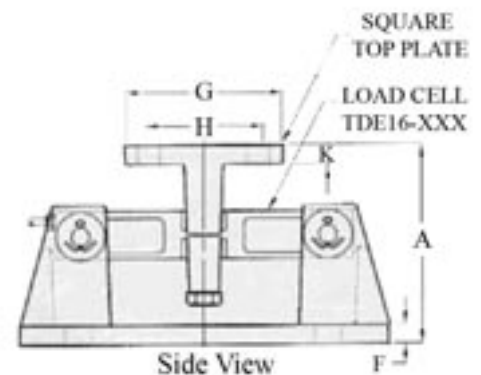
Part Number	Capacity	Weight	Stock	List
TM16-5-SS	5,000 lb	17 lb	2395	\$ 815.00
TM16-25-SS	25,000 lb	55 lb	2396	1,580.00
TM16-35-SS	35,000 lb	55 lb	4185	1,580.00
TM16-50-SS	50,000 lb	130 lb	2397	3,746.00
TM16-75-SS	75,000 lb	130 lb	2398	3,746.00

Dimensions in inches

Capacity	A	B	C	D	E	F	G	H	K	L
1K-5K	5.13	9.35	6.25	5	3.75	0.50	4	2.75	0.50	0.56
10K-35K	7.90	12.00	7.50	8	6.00	0.75	8	6.00	0.75	0.78
50K-75K	9.30	16.25	11.50	12	9.50	1.00	9	6.50	1.00	0.78
100K-200K	11.75	23.50	20.00	14	12.00	1.50	10	8.00	1.50	1.12



Top View



Side View

Prices are subject to change without notice. Please call for current prices.

Other items are available from the manufacturers, please call for quote.

13-01 Pollitt Dr Ext
Fair Lawn NJ 07410
201-797-2718

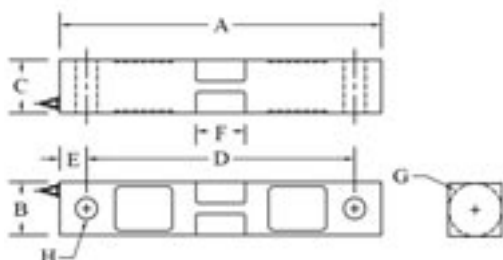
Totalcomp
Components

www.totalcomp.com
sales@totalcomp.com
Fax 201-797-2287

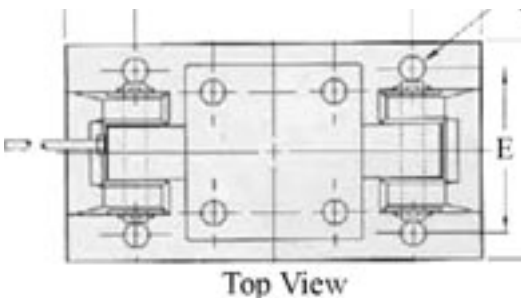
Tank



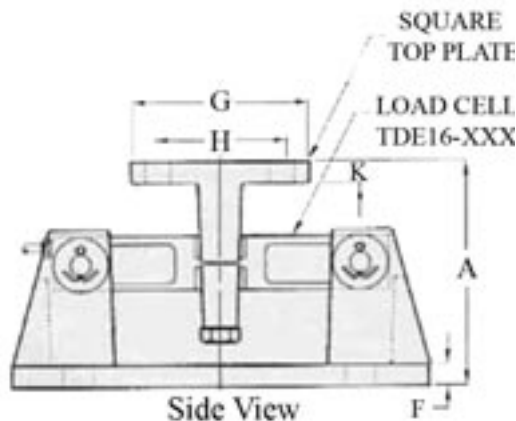
GDE16
Beam only



GDE16
w/ mounting assembly



Top View



Side View

Tank weighing assembly needs (1) load cell and (1) mount

GDE16 General Sensor, beam only

3 mv/v, 700 ohms, 25 ft 4 wire cable, nickel plated steel, IP67.

Part Number	Capacity	Weight	Stock	List
GDE16-1K	1,000 lb	4 lb	4314	\$ 510.00
GDE16-3K	3,000 lb	4 lb	4318	510.00
GDE16-5K	5,000 lb	4 lb	4319	510.00
GDE16-10K	10,000 lb	8 lb	4320	581.00
GDE16-15K	15,000 lb	8 lb	4321	581.00
GDE16-20K	20,000 lb	8 lb	4322	581.00
GDE16-25K	25,000 lb	8 lb	4323	581.00
GDE16-50K	50,000 lb	25 lb	4325	908.00
GDE16-75K	75,000 lb	25 lb	4326	908.00

Dimensions in inches

Capacity	A	B	C	D	E	F	G	H
1-5K	7.50	1.25	1.25	6.25	0.62	1.15	1.25	0.50
10-25K	8.75	1.94	1.44	7.50	0.62	2.00	2.00	0.81
35K	8.75	2.50	1.50	7.50	0.62	2.00	2.50	0.81
50K	13.50	2.94	2.44	11.50	1.00	3.25	3.00	1.31
75K	13.50	2.94	2.44	11.50	1.00	3.25	----	1.31

TM16 Totalcomp, tank mount assembly only

Welded steel, epoxy painted finish.

Part Number	Capacity	Weight	Stock	List
TM16-5	1,000 - 5,000 lb	17 lb	2374	\$ 216.00
TM16-25	10,000 - 25,000 lb	55 lb	2375	418.00
TM16-35	35,000 lb	55 lb	4184	418.00
TM16-50	50,000 lb	155 lb	2376	1,407.00
TM16-75	75,000 lb	155 lb	2810	1,407.00

Dimensions in inches

Capacity	A	B	C	D	E	F	G	H	K	L
1K-5K	5.13	9.35	6.25	5	3.75	0.50	4	2.75	0.50	0.56
10K-35K	7.90	12.00	7.50	8	6.00	0.75	8	6.00	0.75	0.78
50K-75K	9.30	16.25	11.50	12	9.50	1.00	9	6.50	1.00	0.78
100K-200K	11.75	23.50	20.00	14	12.00	1.50	10	8.00	1.50	1.12

Tank

Tank weighing assembly needs (1) load cell and (1) mount

GDE16-SSW General Sensor, beam only

Interchangeable with Sensortronics 65016-SS with welded hermetic seal.
3mv/v, 700/700 ohm, 1K-5K 50 ft 4 wire cable, 10K-75K 50 ft braided shield cable, **stainless steel**, IP67.

Part Number	Capacity	Weight	Stock	List
GDE16-1K-SSW	1,000 lb	4 lb	6946	\$ 617.93
GDE16-2K-SSW	2,000 lb	4 lb	6947	617.93
GDE16-2.5K-SSW	2,500 lb	4 lb	6948	617.93
GDE16-5K-SSW	5,000 lb	4 lb	6949	617.93
GDE16-10K-SSW	10,000 lb	8 lb	6950	693.00
GDE16-15K-SSW	15,000 lb	8 lb	6951	693.00
GDE16-20K-SSW	20,000 lb	8 lb	6952	693.00
GDE16-25K-SSW	25,000 lb	8 lb	6953	693.00
GDE16-35K-SSW	35,000 lb	16 lb	6954	693.00
GDE16-50K-SSW	50,000 lb	25 lb	6955	1,386.00
GDE16-75K-SSW	75,000 lb	25 lb	6956	1,386.00



GDE16-SSW



Dimensions in inches

Capacity	A	B	C	D	E	F	G
1-5K	7.50	1.22	1.22	6.25	1.12	1.25	1.22
10-25K	8.75	1.44	1.94	7.50	1.62	1.99	1.44
35K	8.75	1.44	2.44	7.50	1.62	2.50	1.44
50K	13.50	2.44	2.94	11.50	3.25	2.99	1.31
75K	13.50	2.44	2.94	11.50	3.25	-----	1.31



TDE-16-SS
w/ Tank Mount Assembly

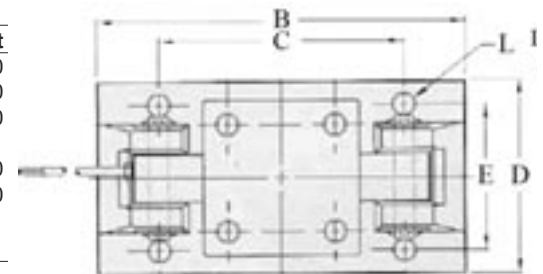
TM16-SS tank mount assembly only

Welded steel, **stainless steel**. Suitable for food, medical and pharmaceutical applications.

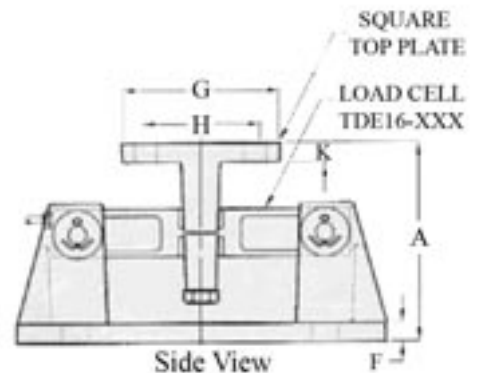
Part Number	Capacity	Weight	Stock	List
TM16-5-SS	5,000 lb	17 lb	2395	\$ 815.00
TM16-25-SS	25,000 lb	55 lb	2396	1,580.00
TM16-35-SS	35,000 lb	55 lb	4185	1,580.00
TM16-50-SS	50,000 lb	130 lb	2397	3,746.00
TM16-75-SS	75,000 lb	130 lb	2398	3,746.00

Dimensions in inches

Capacity	A	B	C	D	E	F	G	H	K	L
1K-5K	5.13	9.35	6.25	5	3.75	0.50	4	2.75	0.50	0.56
10K-35K	7.90	12.00	7.50	8	6.00	0.75	8	6.00	0.75	0.78
50K-75K	9.30	16.25	11.50	12	9.50	1.00	9	6.50	1.00	0.78
100K-200K	11.75	23.50	20.00	14	12.00	1.50	10	8.00	1.50	1.12



Top View



Side View

Prices are subject to change without notice. Please call for current prices.

Other items are available from the manufacturers, please call for quote.

13-01 Pollitt Dr Ext
Fair Lawn NJ 07410
201-797-2718

Totalcomp
Components

www.totalcomp.com
sales@totalcomp.com
Fax 201-797-2287

Tank

Tank



DSR

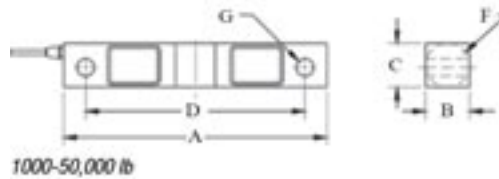
Tank weighing assembly needs (1) load cell and (1) mount

DSR Celtron

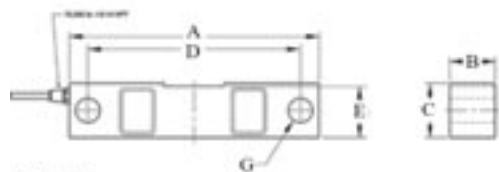
Alloy steel cell interchangeable with 65016 Sensortronics. Double ended shear beam tank cell.

3 mv/v, 770/770 ohms, 25 ft 4 wire cable, environmentally sealed, IP67.

Part Number	Capacity	Weight	Stock	List
DSR-1K	1,000 lb	4 lb	7996	\$ 517.28
DSR-1.5K	1,500 lb	4 lb	7997	517.28
DSR-2K	2,000 lb	4 lb	7998	517.28
DSR-2.5K	2,500 lb	4 lb	7999	517.28
DSR-5K	5,000 lb	4 lb	8000	517.28
DSR-10K	10,000 lb	8 lb	8001	600.88
DSR-15K	15,000 lb	8 lb	8002	600.88
DSR-20K	20,000 lb	8 lb	8003	600.88
DSR-25K	25,000 lb	8 lb	8004	600.88
DSR-50K	50,000 lb	25 lb	8005	862.13
DSR-75K	75,000 lb	25 lb	8006	862.13



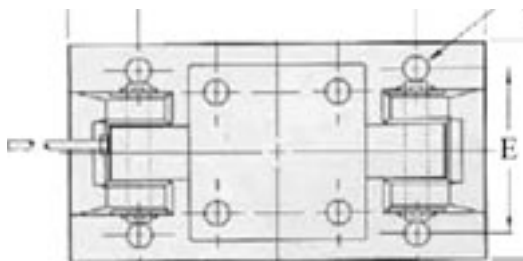
1000-50,000 lb



75,000 lb

Dimensions in inches

Capacity	A	B	C	D	E	F	G
1K-5K	7.50	1.25	1.25	6.25	0.69	1.25	0.50
10K-50K	8.75	1.44	1.94	7.50	0.96	1.99	0.81
50K	13.50	2.44	2.94	11.50	1.50	3.00	1.31
75K	13.50	2.44	2.94	11.50	1.47	----	1.31



Top View

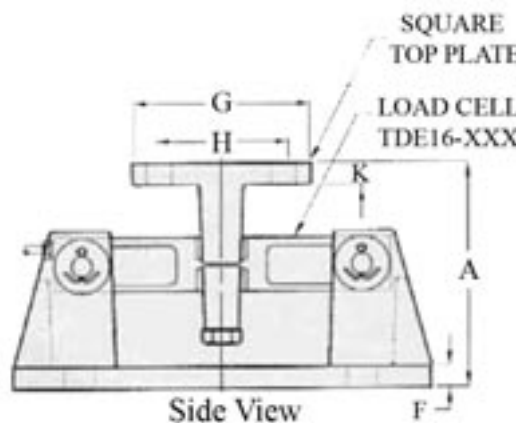
TM16 Totalcomp, tank mount assembly only

Welded steel, epoxy painted finish.

Part Number	Capacity	Weight	Stock	List
TM16-5	1,000 - 5,000 lb	17 lb	2374	\$ 216.00
TM16-25	10,000 - 25,000 lb	55 lb	2375	418.00
TM16-35	35,000 lb	55 lb	4184	418.00
TM16-50	50,000 lb	155 lb	2376	1,407.00
TM16-75	75,000 lb	155 lb	2810	1,407.00

Dimensions in inches

Capacity	A	B	C	D	E	F	G	H	K	L
1K-5K	5.13	9.35	6.25	5	3.75	0.50	4	2.75	0.50	0.56
10K-35K	7.90	12.00	7.50	8	6.00	0.75	8	6.00	0.75	0.78
50K-75K	9.30	16.25	11.50	12	9.50	1.00	9	6.50	1.00	0.78
100K-200K	11.75	23.50	20.00	14	12.00	1.50	10	8.00	1.50	1.12



Side View

Prices are subject to change without notice. Please call for current prices.

Other items are available from the manufacturers, please call for quote.

Tank

Tank weighing assembly needs (1) load cell and (1) mount

DSR-HSS Celtron

Stainless steel cell interchangeable with 65016 Sensortronics. Double ended shear beam tank cell.

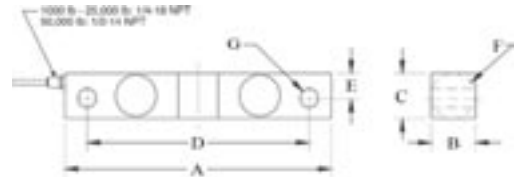
3 mv/v, 770/770 ohms, 25 ft 4 wire cable, stainless steel, IP67.

FM Approval

Part Number	Capacity	Weight	Stock	List
DSR-1K-HSS	1,000 lb	4 lb	7987	\$ 559.08
DSR-2K-HSS	2,000 lb	4 lb	7988	559.08
DSR-2.5K-HSS	2,500 lb	4 lb	7989	559.08
DSR-5K-HSS	5,000 lb	4 lb	7990	559.08
DSR-10K-HSS	10,000 lb	8 lb	7991	627.00
DSR-15K-HSS	15,000 lb	8 lb	7992	627.00
DSR-20K-HSS	20,000 lb	8 lb	7993	627.00
DSR-25K-HSS	25,000 lb	8 lb	7994	627.00
DSR-50K-HSS	50,000 lb	25 lb	7995	Contact Factory



DSR-HSS



65016-SS
w/ mounting assembly

Dimensions in inches

Capacity	A	B	C	D	E	F	G
1K-5K	7.50	1.25	1.25	6.25	0.69	1.25	0.50
10K-50K	8.75	1.44	1.94	7.50	0.96	1.99	0.81
50K	13.50	2.44	2.94	11.50	1.50	3.00	1.31

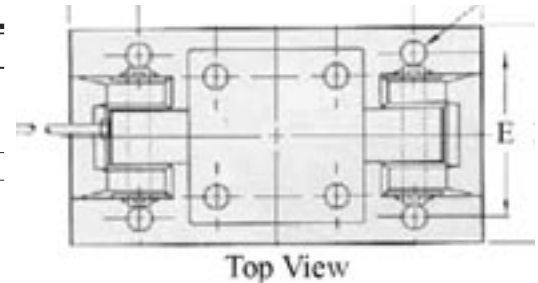
1605-SS tank mounting assembly only

Mounting assembly is cast stainless steel. These mounts are cast with 17-4 PH stainless steel and are prone to surface blemishes and discoloration. They are not suitable for food, medical or pharmaceutical applications.

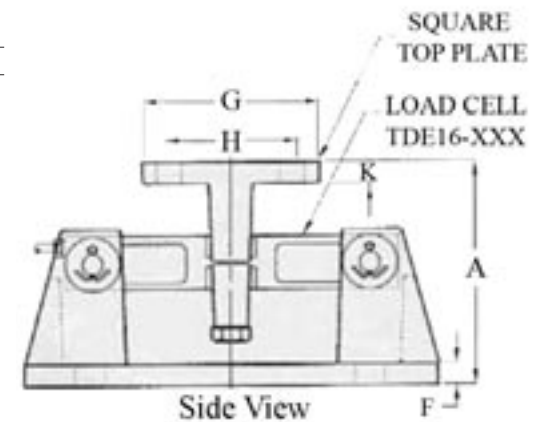
Part Number	Capacity	Weight	Stock	List
1605-SS	1,000 - 5,000 lb	17 lb	1385	\$ 501.60
1625-SS	10,000 - 25,000 lb	56 lb	1386	997.98
1625-0104-SS	35,000 lb	56 lb	1717	1,348.05
1650-SS	50,000 - 60,000 lb	130 lb	1387	2,711.78
1675-SS	75,000 lb	130 lb	1496	2,711.78

Dimensions in inches

Capacity	A	B	C	D	E	F	G	H	K	L
1K-5K	5.13	9.35	6.25	5	3.75	0.50	4	2.75	0.50	0.56
10K-35K	7.90	12.00	7.50	8	6.00	0.75	8	6.00	0.75	0.78
50K-75K	9.30	16.25	11.50	12	9.50	1.00	9	6.50	1.00	0.78
100K-200K	11.75	23.50	20.00	14	12.00	1.50	10	8.00	1.50	1.12



Top View



Side View

Prices are subject to change without notice. Please call for current prices.

Other items are available from the manufacturers, please call for quote.

13-01 Pollitt Dr Ext
Fair Lawn NJ 07410
201-797-2718

Totalcomp
Components

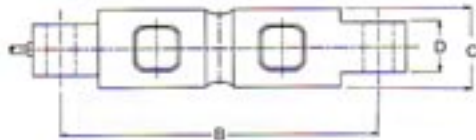
www.totalcomp.com
sales@totalcomp.com
Fax 201-797-2287

Tank

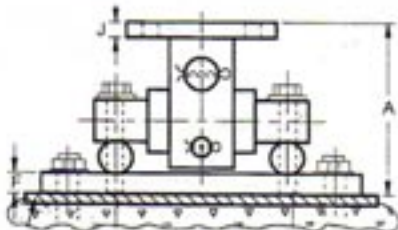
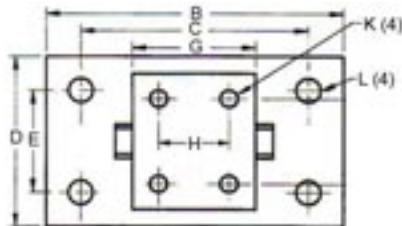
Tank



5103
Beam only



5103
w/ EZM I



Tank weighing assembly needs (1) load cell and (1) mount

5103 Revere, beam only

3 mv/v, 700/700 ohm, 30 ft 4 wire cable, nickel plated steel, IP67
NTEP Legal for Trade 86-039

Part Number	Capacity	Weight	Stock	List
5103-5K	5,000 lb	6 lb	557	\$ 682.39
5103-10K	10,000 lb	6 lb	558	682.39
5103-20K	20,000 lb	6 lb	559	740.91
5103-30K	30,000 lb	18 lb	1967	939.46
5103-40K	40,000 lb	18 lb	1968	939.46
5103-50K	50,000 lb	20 lb	560	1,048.14
5103-60K	60,000 lb	20 lb	1973	1,035.60
5103-75K	75,000 lb	20 lb	574	1,035.60
5103-100K	100,000 lb	24 lb	561	1,376.27
5103-150K	150,000 lb	24 lb	562	1,609.30
5103-200K	200,000 lb	46 lb	2419	2,958.40
5103-250K	250,000 lb	46 lb	1722	2,958.40

Dimensions in inches

Capacity	A	B	C	D	E
5K, 10K	8.12	6.85	1.70	1.12	0.62
20K	8.12	6.85	1.95	1.12	0.62
30K-75K	10.25	8.50	3.00	2.37	1.06
100K	11.25	9.50	3.50	2.50	1.06
150K	11.25	9.50	3.90	2.79	1.06
200K	16.10	13.00	5.37	4.59	1.56

5103 Revere, mounting assembly only.

Welded steel, epoxy painted finish.

Part Number	Capacity	Weight	Stock	List
Mount for 5103-20K	5K - 20K	29 lb	1082	\$ 357.76
Mount for 5103-60K	30K - 60K	86 lb	1083	964.14
Mount for 5103-100K	100K	166 lb	1084	1,327.97
Mount for 5103-150K	150K	166 lb	1746	1,327.97

Dimensions in inches

Capacity	A	B	C	D	E	F	G	H	K	L
5K-20K	5.31	11.00	8.00	8	4.00	0.75	5.5	3.00	0.56	1.06
30K-60K	8.43	15.00	11.50	10	6.00	1.00	8.0	5.10	0.75	1.22
100K-150K	10.38	18.00	14.00	12	9.00	1.25	10.0	7.50	0.81	1.38

Prices are subject to change without notice. Please call for current prices.

Other items are available from the manufacturers, please call for quote.

Tank

Tank weighing assembly needs (1) load cell and (1) mount

9103 Revere, beam only

3 mv/v, 860/700 ohm, 10 ft 4 wire cable 5K-20K, 30 ft 4 wire cable 30K-60K, **stainless steel**. IP67

NTEP Legal for Trade 99-153

Part Number	Capacity	Weight	Stock	List
9103-5K *	5,000 lb	5 lb	1975	\$ 932.14
9103-10K	10,000 lb	5 lb	1976	932.14
9103-15K	15,000 lb	5 lb	1081	932.14
9103-20K	20,000 lb	5 lb	1977	932.14
9103-30K	30,000 lb	18 lb	1978	1,231.01
9103-40K	40,000 lb	18 lb	1979	1,231.01
9103-50K	50,000 lb	18 lb	1980	1,380.45
9103-60K	60,000 lb	18 lb	1981	1,380.45
9103-75K	75,000 lb	18 lb	1055	1,380.45
9103-100K	100,000 lb	24 lb	2416	2,680.43
9103-150K *	150,000 lb	24 lb	2417	2,646.99
9103-200K *	200,000 lb	36 lb	2088	4,034.75

* Not NTEP

Dimensions in inches

Capacity	A	B	C	D	E
5K, 10K	8.12	6.85	1.70	1.12	0.62
20K	8.12	6.85	1.95	1.12	0.62
30K-60K	10.25	8.5	3.00	2.37	1.06
100K	11.25	9.5	3.50	2.50	1.06
150K	11.25	9.5	3.90	2.79	1.06
200K	16.10	13.00	5.37	4.59	1.56

EZMI Revere, mount only

Welded steel, **stainless steel**.

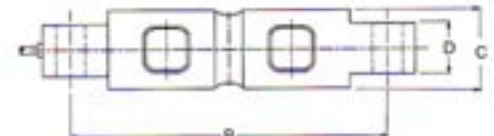
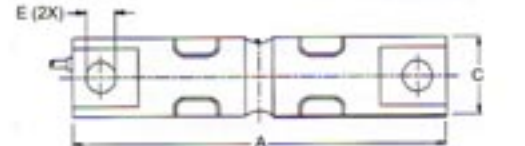
Part Number	Capacity	Weight	Stock	List
EZMI-20K-SS	5K - 20K	30 lb	1982	\$ 848.93
EZMI-60K-SS	30K - 60K	90 lb	1983	2,413.37
EZMI-100K-SS	100K	170 lb	4843	4,655.70
EZMI-150K-SS	150K	170 lb	2418	4,655.70

Dimensions in inches

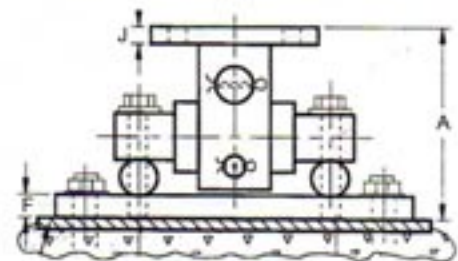
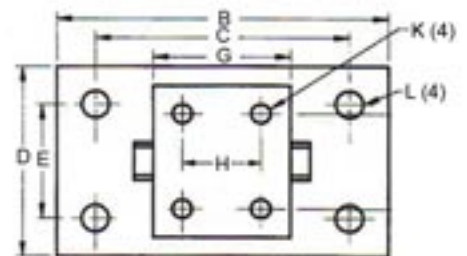
Capacity	A	B	C	D	E	F	G	H	K	L
5K-20K	5.31	11.00	8.00	8	4.00	0.75	5.5	3.00	0.56	1.06
30K-60K	8.43	15.00	11.50	10	6.00	1.00	8.0	5.10	0.75	1.22
100K-150K	10.38	18.00	14.00	12	9.00	1.25	10.0	7.50	0.81	1.38



9103
Beam only



9703
w/ EZMI I



Prices are subject to change without notice. Please call for current prices.

Other items are available from the manufacturers, please call for quote.

13-01 Pollitt Dr Ext
Fair Lawn NJ 07410
201-797-2718

Totalcomp
Components

www.totalcomp.com
sales@totalcomp.com
Fax 201-797-2287

Tank



4000 Series
NIST 3001 Certified models

TDE03

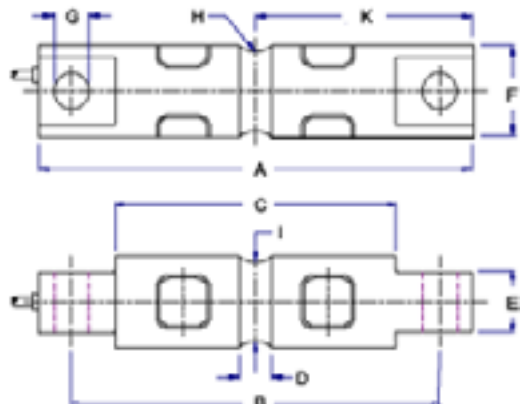
Tank weighing assembly needs (1) load cell and (1) mount

TDE03 Totalcomp, double ended beam only

Interchangeable with RTI Model 5103.

3 mv/v, 700/700 ohm, 30 ft 4 wire cable, nickel plated steel, IP67.

Part Number	Capacity	Weight	Stock	List
TDE03-5K	5,000 lb	6 lb	1219	\$ 574.75
TDE03-10K	10,000 lb	6 lb	1220	574.75
TDE03-20K	20,000 lb	6 lb	1221	574.75



Dimensions in inches

Capacity	A	B	C	D	E	F	G	H	I
5K	8.11	6.87	5.24	0.84	1.19	1.70	0.66	0.50	1.50
20K	8.11	6.87	5.24	0.62	1.19	1.95	0.66	0.50	1.50



9703
w/ EZM I



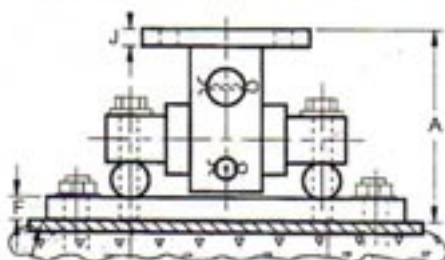
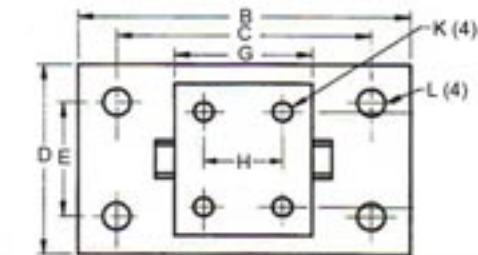
5103 Revere, mounting assembly only.

Welded steel, epoxy painted finish.

Part Number	Capacity	Weight	Stock	List
Mount for 5103-20K	5K - 20K	29 lb	1082	\$ 357.76
Mount for 5103-60K	30K - 60K	86 lb	1083	964.14
Mount for 5103-100K	100K	166 lb	1084	1,327.97
Mount for 5103-150K	150K	166 lb	1746	1,327.97

Dimensions in inches

Capacity	A	B	C	D	E	F	G	H	K	L
5K-20K	5.31	11.00	8.00	8	4.00	0.75	5.5	3.00	0.56	1.06
30K-60K	8.43	15.00	11.50	10	6.00	1.00	8.0	5.10	0.75	1.22
100K-150K	10.38	18.00	14.00	12	9.00	1.25	10.0	7.50	0.81	1.38



Prices are subject to change without notice. Please call for current prices.

Other items are available from the manufacturers, please call for quote.

Tank weighing assembly needs (1) load cell and (1) mount

GDE03 General Sensor, double ended beam only

Interchangeable with RTI Model 5103.
3 mv/v, 800/700 ohm, 50 ft 4 wire cable, nickel plated steel, IP67.

Part Number	Capacity	Weight	Stock	List
GDE03-5K	5,000 lb	5 lb	4652	\$ 563.64
GDE03-10K	10,000 lb	5 lb	4653	563.64
GDE03-20K	20,000 lb	5 lb	4654	563.64
GDE03-30K	30,000 lb	16 lb	4655	673.37
GDE03-40K	40,000 lb	16 lb	4656	673.37
GDE03-50K	50,000 lb	20 lb	4657	673.37
GDE03-60K	60,000 lb	20 lb	4658	673.37
GDE03-100K	100,000 lb	24 lb	4659	879.90
GDE03-150K	150,000 lb	34 lb	4660	884.73
GDE03-250K	250,000 lb	44 lb	4661	1,237.01

Dimensions in inches

Capacity	A	B	C	D	E	F	G	H	I
5K	8.11	6.87	5.24	0.84	1.19	1.70	0.66	0.50	1.50
20K	8.11	6.87	5.24	0.84	1.19	1.95	0.66	0.50	1.50
30K-60K	10.25	8.50	6.50	1.00	2.37	3.00	1.06	1.00	2.73
100K	11.25	9.50	7.50	1.25	2.50	3.50	1.06	1.50	3.24
150K	11.25	9.50	7.50	1.25	2.79	3.90	1.06	1.50	3.64
200K	16.09	13.00	10.00	1.29	4.59	5.37	1.55	2.00	5.17

EZMI Revere, mounting assembly only

Welded steel, stainless steel.

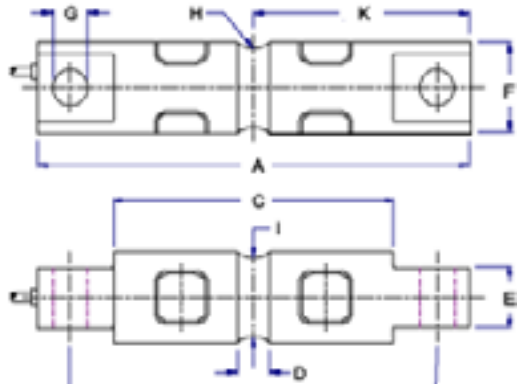
Part Number	Capacity	Weight	Stock	List
EZMI-20K-SS	5K - 20K	30 lb	1982	\$ 848.93
EZMI-60K-SS	30K - 60K	90 lb	1983	2,413.37
EZMI-100K-SS	100K	170 lb	4843	4,655.70
EZMI-150K-SS	150K	170 lb	2418	4,655.70

Dimensions in inches

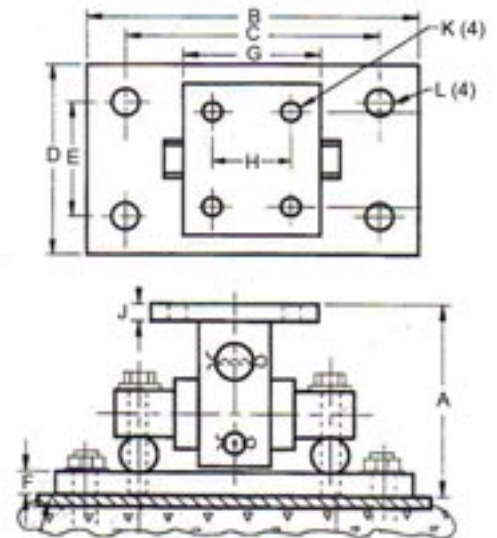
Capacity	A	B	C	D	E	F	G	H	K	L
5K-20K	5.31	11.00	8.00	8	4.00	0.75	5.5	3.00	0.56	1.06
30K-60K	8.43	15.00	11.50	10	6.00	1.00	8.0	5.10	0.75	1.22
100K-150K	10.38	18.00	14.00	12	9.00	1.25	10.0	7.50	0.81	1.38



GDE03



9703
w/ EZMI I



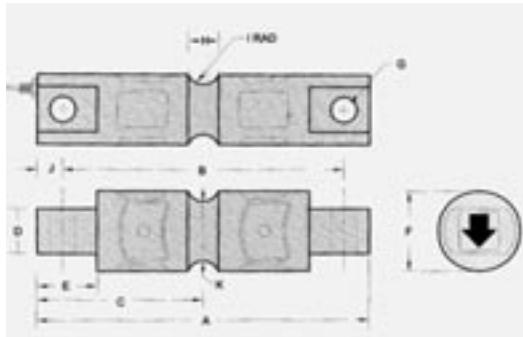
Prices are subject to change without notice. Please call for current prices.

Other items are available from the manufacturers, please call for quote.

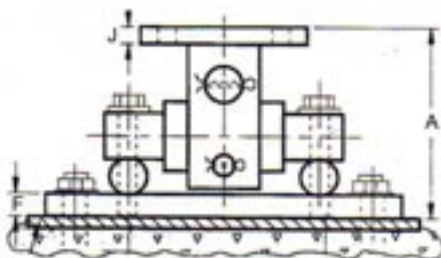
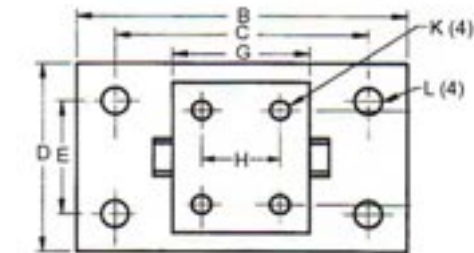
Tank



70210



9703
w/ EZM I



Tank weighing assembly needs (1) load cell and (1) mount

70210 Artech, double ended beam only

3mv/v, 700/700 ohm, 30 ft 4 wire cable, electroless nickel/chrome plated steel.
NTEP Legal for Trade 87-094

Part Number	Capacity	Weight	Stock	List
70210-5K	5,000 lb	5 lb	5353	\$ 1,003.47
70210-10K	10,000 lb	5 lb	5354	1,003.47
70210-20K	20,000 lb	5 lb	5355	1,003.47
70210-30K	30,000 lb	16 lb	5356	1,095.33
70210-40K	40,000 lb	16 lb	5357	1,095.33
70210-50K	50,000 lb	20 lb	5358	1,095.33
70210-60K	60,000 lb	20 lb	5359	1,095.33
70210-100K	100,000 lb	24 lb	6424	2,203.15
70210-150K-SE	150,000 lb	24 lb	6425	2,203.15
70210-150K-LE	150,000 lb	34 lb	6426	2,650.00
70210-200K	200,000 lb	44 lb	6427	3,586.53
70210-250K *	250,000 lb	44 lb	6428	5,635.98

* Not NTEP

Dimensions in inches

Capacity	A	B	C	D	E	F	G	H	I	J	K
5K-20K	8.12	6.87	4.06	1.12	1.44	1.75	0.65	0.62	0.50	0.62	1.48
50K-65K	10.25	8.50	5.12	2.36	1.87	3.00	1.00	1.00	1.00	0.88	2.75
100K-150KSE	11.25	9.50	5.62	2.50	1.87	3.50	1.06	1.00	1.00	0.88	3.25
150KLE-250K	16.10	13.00	8.05	4.60	3.05	5.38	1.56	1.50	2.00	1.55	5.17

EZMI Revere, mount only

Welded steel, stainless steel.

Part Number	Capacity	Weight	Stock	List
EZMI-20K-SS	5K - 20K	30 lb	1982	\$ 848.93
EZMI-60K-SS	30K - 60K	90 lb	1983	2,413.37
EZMI-100K-SS	100K	170 lb	4843	4,655.70
EZMI-150K-SS	150K	170 lb	2418	4,655.70

Dimensions in inches

Capacity	A	B	C	D	E	F	G	H	K	L
5K-20K	5.31	11.00	8.00	8	4.00	0.75	5.5	3.00	0.56	1.06
30K-60K	8.43	15.00	11.50	10	6.00	1.00	8.0	5.10	0.75	1.22
100K-150K	10.38	18.00	14.00	12	9.00	1.25	10.0	7.50	0.81	1.38

Prices are subject to change without notice. Please call for current prices.

Other items are available from the manufacturers, please call for quote.

80210 Artech, load cell only

Interchangeable with RTI 5223

3 mv/v, 700/700 ohm, 60 ft 4 wire cable, nickel plated steel w/welded covers, IP67.

NTEP Legal for Trade 90-083

Part Number	Capacity	Weight	Stock	List
80210-50K	50,000 lb	21 lb	6102	\$ 1,274.50
80210-65K	65,000 lb	21 lb	6103	1,274.50
80210-75KLE	75,000 lb	21 lb	6374	1,274.50
80210-100K	100,000 lb	21 lb	6189	1,697.20
80210-125K	125,000 lb	19.05 lb	6113	1,697.20

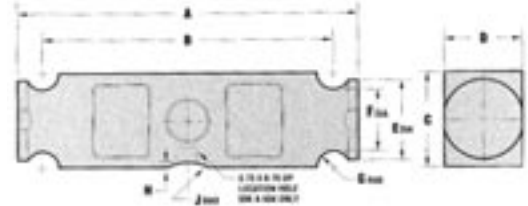


80210



Dimensions in inches

Capacity	A	B	C	D	E	F	G	H	J
20K-60KSE	8.25	7.25	2.44	1.94	2.00	1.63	0.50	0.25	0.50
50K-75K	10.25	8.50	2.90	2.90	2.40	2.05	1.00	0.25	1.00
90K-200K	11.50	10.00	3.40	3.40	2.75	2.35	1.50	0.40	1.50



Truck

SS80310 Artech

Interchangeable with Sensortronics 65040

3 mv/v, 700 ohm input, 700 ohm output

4 wire cable, 40 ft for 20K-50KSE, 60 ft for 50K-200K, stainless steel, IP67.

NTEP Legal for Trade 90-083

Part Number	Capacity	Weight	Stock	List
SS80310-20K	20,000 lb	20 lb	7464	\$ 1,332.14
SS80310-30K	30,000 lb	20 lb	7465	1,332.14
SS80310-35K	35,000 lb	22 lb	7466	1,613.94
SS80310-40K	40,000 lb	25 lb	7467	1,613.94
SS80310-50KSE	50,000 lb	25 lb	7468	1,613.94
SS80310-50K	50,000 lb	28 lb	7469	1,613.94
SS80310-60K	60,000 lb	28 lb	7470	1,613.94
SS80310-65K	65,000 lb	28 lb	7471	1,613.94
SS80310-75KSE	75,000 lb	28 lb	7472	1,613.94
SS80310-75K	75,000 lb	28 lb	7473	1,613.94
SS80310-100K	100,000 lb	30 lb	7474	3,357.25
SS80310-125K	125,000 lb	30 lb	7475	3,357.25

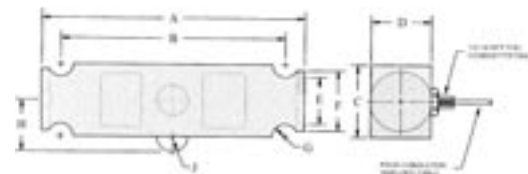


SS80310



Dimensions in inches

Capacity	A	B	C	D	E	F	G	H	J
20K-60KSE	8.25	7.25	2.44	1.94	2.00	1.63	0.50	1.75	0.50
50K-75K	11.50	10.00	2.94	1.94	2.20	1.70	0.75	2.00	1.00
90K-200K	14.50	12.50	2.90	3.86	3.20	2.44	1.50	2.75	1.50



Prices are subject to change without notice. Please call for current prices.

Other items are available from the manufacturers, please call for quote.



WM-III

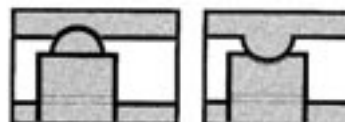
WM-III Artech, mounting assembly only

For use with stainless steel or tool steel versions of the 80210 and 80310. Artech's high strength machined link. WM-III A, B, & C are used with 80210 load cell. WM-III D, E & F are used with 80310 load cells. Mild steel, zinc plated steel.

Part Number	Capacity	Weight	Stock	List
WM-III-A	20K-75KSE	80 lb	4429	\$ 795.00
WM-III-B	50K-75K	180 lb	4430	1,050.00
WM-III-C	200K	250 lb	4431	5,833.00
WM-III-D	20K-75KSE	80 lb	7058	795.00
WM-III-E	50K-75K	180 lb	7059	1,050.00
WM-III-F	90K-200K	250 lb	7060	6,333.00
Service Parts				
WM-III Link-A	20K-50K	15 lb	4929	136.00
WM-III Link-B	50K-75K	20 lb	4930	291.00
WM-III Link-C	90K-150K	25 lb	4931	375.00

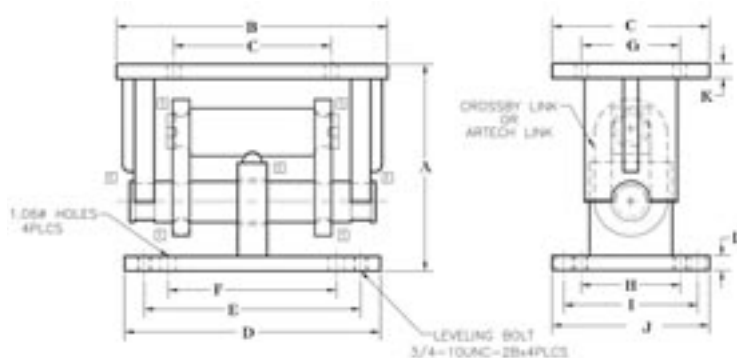


WM-III Link



A, B, C
80210

D, E, F
80310



Capacity	Load Cell	A	B	C	D	E	F	G	H	I	J	K	L
20K-60KSE	80210	10.50	13.00	8.00	13.00	11.50	8.00	0.690	6.00	6.00	8.00	0.75	0.75
50K-150KSE	80210	15.50	13.00	10.00	13.00	14.00	11.00	0.890	5.00	6.50	8.00	0.75	0.75
200K	80210	17.50	13.00	10.00	13.00	14.00	11.00	0.890	5.00	6.50	8.00	0.75	0.75
20K-60KSE	80310	10.50	13.00	8.00	13.00	11.50	8.00	0.690	6.00	6.00	8.00	0.75	0.75
50K-75K	80310	15.50	13.00	10.00	13.00	14.00	11.00	0.890	5.00	6.50	8.00	0.75	0.75
90K-150K	80310	17.50	10.50	10.00	14.00	14.00	11.00	0.890	5.00	6.50	8.00	0.75	0.75

80310 Artech

Replacement for CMI Truck Scale load cells. Interchangeable with Sensortronics 65040.
 3 mv/v, 700/700 ohms, 60 ft 4 wire cable, nickel plated steel, IP67.
 NTEP Legal for Trade 90-083

Part Number	Capacity	Weight	Stock	List
80310-50K-SE	50,000 lb	18 lb	6196	\$ 1,142.44
80310-60K-SE	60,000 lb	18 lb	6010	1,142.44
80310-75K-SE	75,000 lb	18 lb	6217	1,142.44
80310-60K	60,000 lb	21 lb	6101	1,061.87
80310-75K	75,000 lb	21 lb	6218	1,061.87
80310-50K	50,000 lb	21 lb	6045	1,061.87

SE = Small envelope

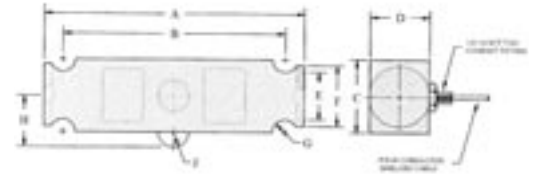


80310

Truck

Dimensions in inches

Capacity	A	B	C	D	E	F	G	H	J
20K-60KSE	8.25	7.25	2.44	1.94	2.00	1.63	0.50	1.75	0.50
50K-75K	11.50	10.00	2.94	1.94	2.20	1.70	0.75	2.00	1.00
90K-200K	14.50	12.50	2.90	3.86	3.20	2.44	1.50	2.75	1.50



Truck



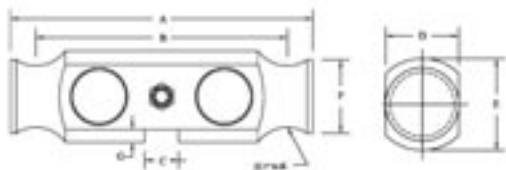
CG-DB-50000



CG-DB Coti Global

Interchangeable with Cardinal DB-50000, RLDB50000S.
2 mv/v, 700/ ohms, 50ft braided shield cable, **stainless steel**. IP67. FM Approved
NTEP Legal for Trade 11-076

Part Number	Capacity	Weight	Stock	List
CG-DB-50000S-35K	35,000 lb	20 lb	1039	\$ 1,270.50
CG-DB-50000S-50K	50,000 lb	20 lb	1224	1,270.50
CG-DB-50000S-75K	75,000 lb	20 lb	1040	1,270.50



Dimensions in inches

Capacity	A	B	C	D	E	F	G	H
35K-75K	8.25	7.25	0.93	1.80	2.50	2.00	0.38	0.75



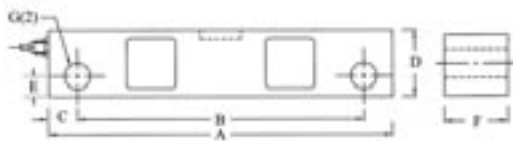
CI-STR



CG-STR Coti Global

Interchangeable with Epelsa STR. Alloy steel, two load buttons are included.
3 mv/v, 700/700 ohms, 50 ft 4 wire cable, environmentally protected.
NTEP Legal for Trade 03-079

Part Number	Capacity	Weight	Stock	List
CG-STR-40K	40,000 lb	15 lb	5498	\$ 1,039.50
CG-STR-50K	50,000 lb	15 lb	5499	1,039.50



Dimensions in inches

Capacity	A	B	C	D	E	F	G
40K-50K	10.50	8.75	0.88	2.00	0.61	1.91	0.78

Truck

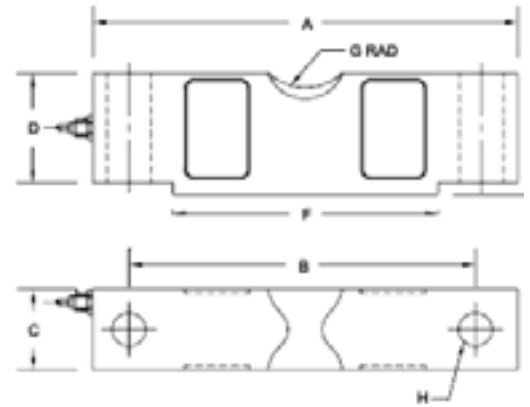
CG-58 Coti Global, beam only

Interchangeable with Sensortronics 65058-SS.
3.0 mv/v, 700/700 ohms, 50" braided shield cable, alloy steel. IP67.

Part Number	Capacity	Weight	Stock	List
CG-58-10K	10,000 lb	12 lb	7023	\$ 651.00
CG-58-20K	20,000 lb	12 lb	7024	651.00
CG-58-25K	25,000 lb	12 lb	7025	651.00
CG-58-40K	40,000 lb	15 lb	7026	782.25
CG-58-50K SE	50,000 lb	15 lb	7027	782.25
CG-58-50K	50,000 lb	15 lb	7028	861.00
CG-58-60K	60,000 lb	19 lb	7029	861.00
CG-58-75K	75,000 lb	19 lb	7030	861.00
CG-58-100K	100,000 lb	40 lb	7031	1,627.50
CG-58-125K	125,000 lb	40 lb	7032	1,627.50



CG-58
Beam Only



Dimensions in inches

Capacity	A	B	C	D	E	F	G	H
10K-25K	7.75	6.50	1.69	1.70	1.94	5.00	0.75	0.68
40K-50KSE	10.25	8.50	1.94	2.10	2.44	6.39	1.00	0.81
50K-75K	10.25	8.50	2.44	2.62	2.94	6.39	1.00	1.06
100K-125K	15.25	12.75	2.90	3.43	3.86	9.00	1.50	1.62

CG-5223 Coti Global

Interchangeable with RTI model 5223
3mv/v, 700/700 ohms, 50 ft 4 wire cable, nickel plated steel, IP67
NTEP Legal for Trade 03-044

Part Number	Capacity	Weight	Stock	List
CG-5223-50K	50,000 lb	21 lb	6021	\$ 982.50
CG-5223-65K	65,000 lb	21 lb	6025	982.50
CG-5223-100K	100,000 lb	21 lb	6026	952.88

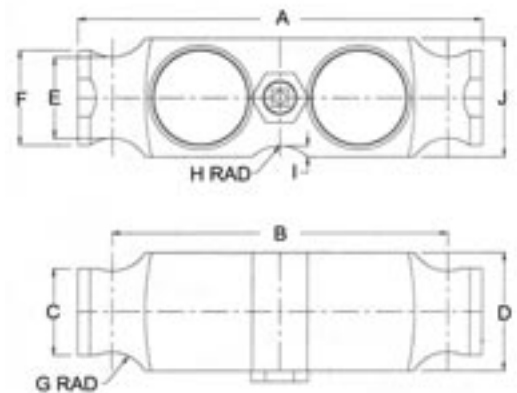


CG-5223



Dimensions in inches

Capacity	A	B	C	D	E	F	G	H	I	J
40K-125KSE	10.25	8.50	3.00	3.00	2.40	2.07	1.00	1.00	0.75	0.78



Prices are subject to change without notice. Please call for current prices.

Other items are available from the manufacturers, please call for quote.

13-01 Pollitt Dr Ext
Fair Lawn NJ 07410
201-797-2718

Totalcomp
Components

www.totalcomp.com
sales@totalcomp.com
Fax 201-797-2287

Truck



CG-STR1



CG-STR1 Coti Global

Interchangeable with Fairbanks Rodan 90814, 9108, load button is included.
3 mv/v, 700/700 ohms, 50 ft 4 wire cable, alloy steel.
NTEP Legal for Trade 03-079

Part Number	Capacity	Weight	Stock	List
CG-STR1-40K	40,000 lb	14 lb	2503	\$ 1,039.50
CG-STR1-50K	50,000 lb	14 lb	2504	1,039.50



Dimensions in inches

Capacity	A	B	C	D	E	F	G
40K-50K	10.50	8.75	0.88	2.44	1.22	1.94	0.78



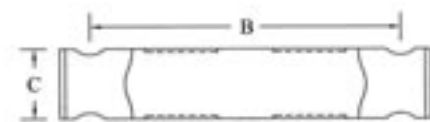
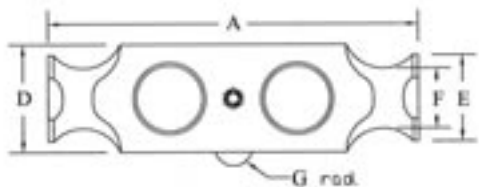
CG-BE40



CG-BE40 Coti Global

Interchangeable with Sensortronics 65040.
3mv/v, 700/700 ohms, 50 ft braided shield cable, nickel plated steel, IP67
NTEP Legal for Trade 03-037

Part Number	Capacity	Weight	Stock	List
CG-BE40-25K	25,000 lb	18 lb	6937	\$ 661.50
CG-BE40-40K	40,000 lb	18 lb	6938	661.50
CG-BE40-50KSE	50,000 lb	18 lb	6939	661.50
CG-BE40-60KSE	60,000 lb	18 lb	6940	661.50
CG-BE40-50KLE	50,000 lb	18 lb	6941	866.25
CG-BE40-60KLE	60,000 lb	18 lb	6942	866.25
CG-BE40-75K	75,000 lb	18 lb	6943	866.25
CG-BE40-75KSE	75,000 lb	15 lb	6991	661.50
CG-BE40-100K	100,000 lb	60 lb	6944	1,627.50
CG-BE40-125K	125,000 lb	60 lb	6945	1,627.50



Dimensions in inches

Capacity	A	B	C	D	E	F	G
25K-75KSE	8.25	7.25	1.94	2.44	2.00	1.63	0.50
50K-75K	11.50	10.00	1.94	2.94	2.20	1.70	1.00
100K-125K	14.50	12.50	2.90	3.86	3.20	2.44	1.50

Prices are subject to change without notice. Please call for current prices.

Other items are available from the manufacturers, please call for quote.

Truck

DB-50000 Cardinal

Original Cardinal load cell used in Cardinal Truck scales.
 2 mv/v, 790/700 ohms, 35ft integral multiconductor cable, **stainless steel**, IP67.
 NTEP Legal for Trade 97-133

Part Number	Capacity	Weight	Stock	List
DB-50000	50,000 lb	20 lb	1229	\$ 1,730.00
DB-75000	75,000 lb	20 lb	2399	1,730.00



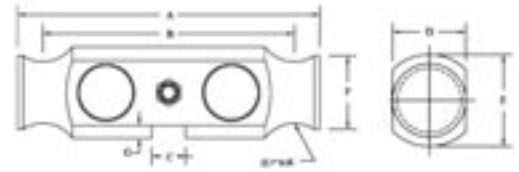
DB-50000



Truck

Dimensions in inches

Capacity	A	B	C	D	E	F	G	H
50K-75K	8.25	7.25	0.93	1.80	2.50	2.00	0.38	0.75



Mount shown for illustration only

Prices are subject to change without notice. Please call for current prices.

Other items are available from the manufacturers, please call for quote.

13-01 Pollitt Dr Ext
 Fair Lawn NJ 07410
 201-797-2718

Totalcomp
 Components

www.totalcomp.com
 sales@totalcomp.com
 Fax 201-797-2287

Truck



STR-50K



STR Epelsa, beam only

Load cell has load button installed. Replacement for LC32 load cell in First Weigh Truck Scales.

3 mv/v, 700/700 ohm, 50 ft cable, nickel plated steel.

NTEP Legal for Trade 92-030

Part Number	Equal	Capacity	Weight	Stock	List
STR-40K	LC32-40K	40,000 lb	14 lb	2357	\$ 1,027.00
STR-50K	LC32-50K	50,000 lb	14 lb	2358	1,027.00

Service Parts

603 Load button w/o guide pin 1" dia x 5/8" H	1 lb	1768	34.65
4300-0020 Support pin for LC32 mount	1 lb	4635	31.50
1300-0003 Retaining clip for LC32 mount	1 lb	6179	2.27

Truck



4300-0003 Support pin
w/ optional 4300-0020 retaining clips



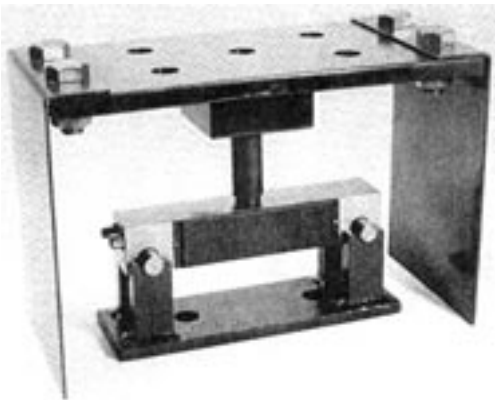
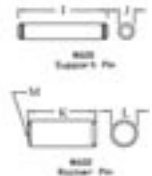
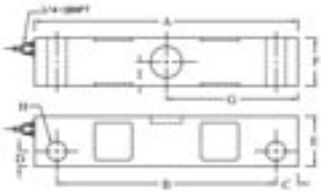
Load button
w/o guide pin

Dimensions in inches

Capacity	A	B	C	D	E	F	G	H	I
40-50K	10.50	8.75	0.88	0.61	2.00	1.91	5.25	0.78	-----
600 Support Pin	-----	-----	-----	-----	-----	-----	-----	-----	4.25
602 Support Pin	-----	-----	-----	-----	-----	-----	-----	-----	-----

Dimensions in inches

Capacity	J	K	L	M
40-50K	-----	-----	-----	-----
600 Support Pin	0.75	-----	-----	-----
602 Support Pin	-----	3.25	1.25	12.00



VE20-5000

VE20 Epelsa, heavy duty mount

Service parts only.

Part Number	Weight	Stock	List
4300-0017 Rocker pin	2 lb	6182	\$ 74.24

Prices are subject to change without notice. Please call for current prices.

Other items are available from the manufacturers, please call for quote.

Truck

GDE23 General Sensor, beam only

Interchangeable with RTI Model 5223.

3 mv/v, 800/700 ohm, 50 ft 4 wire cable, nickel plated steel, IP67.

Part Number	Capacity	Weight	Stock	List
GDE23-20K	20,000 lb	16 lb	4645	\$ 534.00
GDE23-25K	25,000 lb	16 lb	4646	534.00
GDE23-40K	40,000 lb	16 lb	4647	534.00
GDE23-50K	50,000 lb	16 lb	4648	647.85
GDE23-65K	65,000 lb	16 lb	4649	647.85
GDE23-75K	75,000 lb	16 lb	4650	647.85
GDE23-100K	100,000 lb	16 lb	4651	647.85

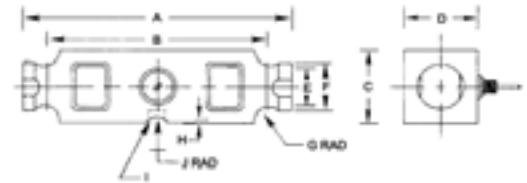


GDE232

Truck

Dimensions in inches

Capacity	A	B	C	D	E	F	G	H	I	J
20K-40K	8.25	7.25	2.44	1.94	1.63	2.00	0.50	0.25	0.75	0.50
50K-100K	10.25	8.50	2.90	2.90	2.05	2.40	1.00	0.25	0.75	1.00



Prices are subject to change without notice. Please call for current prices.

Other items are available from the manufacturers, please call for quote.

13-01 Pollitt Dr Ext
Fair Lawn NJ 07410
201-797-2718

Totalcomp
Components

www.totalcomp.com
sales@totalcomp.com
Fax 201-797-2287

Truck



5223



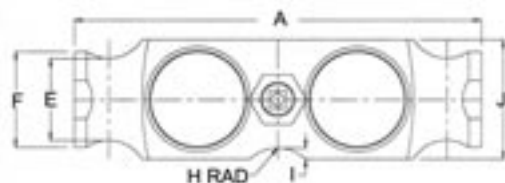
Truck weighing assembly needs (1) load cell and (1) mount

5223 Revere, beam only

Replacement for Thurman TSC800 load cells, Unibridge DL9000, AirWay AW901, NVTech BLC-2.

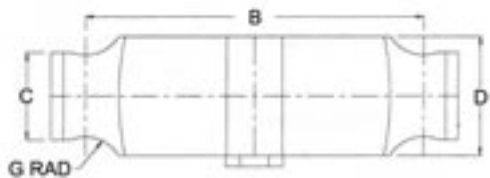
3 mv/v, 700/700 ohm, 40 ft 4 wire cable, hermetically sealed, nickel plated steel, IP67
NTEP Legal for Trade 86-038

Part Number	Capacity	Weight	Stock	List
5223-50K	50,000 lb	18 lb	866	\$ 1,268.63
5223-65K	65,000 lb	18 lb	867	1,268.63
5223-100K	100,000 lb	18 lb	868	1,893.54
5223-125K	125,000 lb	18 lb	1035	1,893.54
5223-200K	200,000 lb	32 lb	2422	2,161.06



Dimensions in inches

Capacity	A	B	C	D	E	F	G	H	I	J
50K-100K	10.25	8.50	2.20	3.00	2.06	2.40	1.00	1.00	0.28	3.00



5223 w/EZ Mount II



EZII Revere, mounting assembly only

Mounting assembly is plated steel.

Part Number	Capacity	Weight	Stock	List
EZII mount for 5223	50K - 65K	148 lb	1931	\$ 675.00
EZII mount for 5223	100,000 lb	148 lb	1932	940.00
EZII mount for 5223	200,000 lb	715 lb	2423	2,900.00

Truck

9423 Revere

3 mv/v, 700/700 ohms, 30 ft 4 wire cable, stainless steel, IP67.
NTEP Legal for Trade 00-050

Part Number	Capacity	Weight	Stock	List
9423-10K *	10,000 lb	18 lb	8024	\$ 944.63
9423-15K *	15,000 lb	18 lb	8025	944.63
9423-20K	30,000 lb	18 lb	8026	944.63
9423-25K	25,000 lb	18 lb	8027	944.63
9423-30K	30,000 lb	18 lb	8028	944.63
9423-40K	40,000 lb	18 lb	8029	944.63
9423-50K	50,000 lb	18 lb	8030	944.63
9423-60K	60,000 lb	18 lb	8031	944.63
9423-75K	75,000 lb	18 lb	8032	944.63

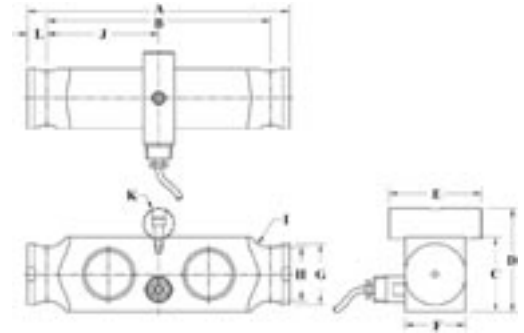
* Not NTEP

Dimensions in inches

Capacity	A	B	C	D	E	F	G	H	I	J	K	L
10-25k	8.00	7.12	1.94	2.57	1.94	1.44	1.00	0.80	0.38	3.56	0.75	0.44
30-75k	8.50	7.25	2.45	3.38	3.00	1.95	2.00	1.75	0.75	3.62	1.00	0.63



9423



9323 Revere

The 9323 is a double ended beam type load cell. This product is designed for use in certified truck and rail scales and is available in capacities from 20K to 75Klbs. A reliable sealing and mechanical protection of the strain gage area is ensured by the use of potting compound with a metal cover. This load cell is rated intrinsically safe by the FM system, making it suitable for use in potentially explosive atmosphere.

Part Number	Capacity	Weight	Stock	List
9323-B10-50k-30PIR	50,000 lb	22 lb	218	\$ 723.14
9323-B10-60k-30PIR	60,000 lb	22 lb	219	746.13

Dimensions in inches

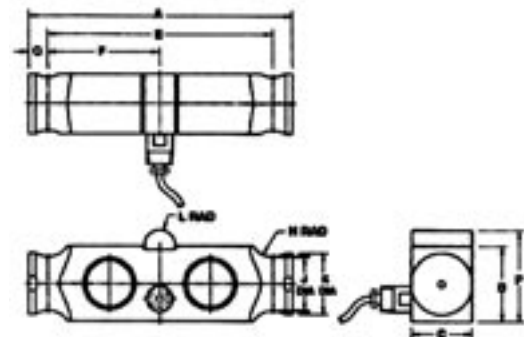
Capacity	A	B	C	E	F
50k	8.50	2.45	1.95	7.25	3.63
60k	8.50	2.45	1.95	7.25	3.63

Dimensions in inches

Capacity	G	H	J RAD	K	J	K	L RAD	P
50k	0.63	0.75	1.75	2.00dia	0.88	1.29	0.50	3.00
60k	0.63	0.75	1.75	2.00dia	0.88	1.29	0.50	3.00



9323



Prices are subject to change without notice. Please call for current prices.

Other items are available from the manufacturers, please call for quote.

13-01 Pollitt Dr Ext
Fair Lawn NJ 07410
201-797-2718

Totalcomp
Components

www.totalcomp.com
sales@totalcomp.com
Fax 201-797-2287

Truck



65058



Truck

Truck weighing assembly needs (1) load cell and (1) mount

65058 Sensortronics, beam only

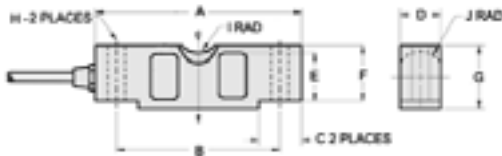
3 mv/v, 700/700 ohms, 35 ft 4 wire cable, nickel plated steel, IP67.
NTEP Legal for Trade 86-046

Part Number	Capacity	Weight	Stock	List
65058A-20K	20,000 lb	7 lb	548	\$ 775.39
65058A-25K	25,000 lb	7 lb	549	775.39
65058A-40K	40,000 lb	14 lb	551	870.49
65058A-50K	50,000 lb	21 lb	552	933.19
65058A-60K	60,000 lb	21 lb	553	933.19
65058A-75K	75,000 lb	21 lb	554	980.00
65058A-100K	100,000 lb	42 lb	3701	2,176.74
65058A-125K	125,000 lb	42 lb	556	2,176.74

Howe Richardson replacement

65058A-50K-1127	50,000 lb	14 lb	2515	931.10
-----------------	-----------	-------	------	--------

Dimensions in inches



Capacity	A	B	C	D	E	F	G	H	I	J
10K-25K	7.75	6.50	1.38	1.69	1.63	1.70	1.94	0.68	0.75	0.90
40K	10.25	8.50	1.93	1.94	2.00	2.10	2.44	0.81	1.00	1.12
50K-75K	10.25	8.50	1.93	2.44	2.54	2.65	2.94	1.06	1.00	1.37
100K-125K	15.25	12.75	3.13	2.90	3.30	3.43	3.86	1.62	1.50	1.80
150K-200K	19.25	15.25	4.00	3.80	4.44	5.12	5.80	1.62	2.00	2.37

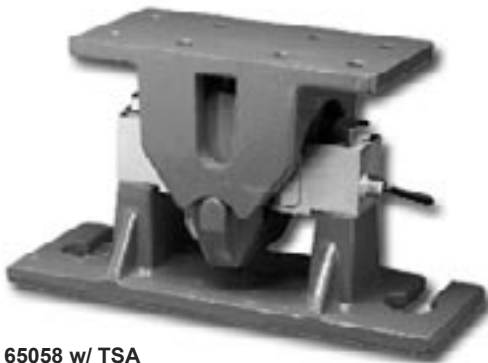
TSA Sensortronics, truck scale assembly

Mounting assembly is cast iron.

Part Number	Capacity	Weight	Stock	List
5825	10,000 - 25,000 lb	42 lb	1388	\$ 831.93
5875	40,000 - 75,000 lb	81 lb	1389	1,840.33

Service Parts

Link for 5825	10,000 - 25,000 lb	5 lb	1308	323.00
Link for 5875	40,000 - 75,000 lb	12 lb	1309	432.00



65058 w/ TSA



Lodec truck load cell

High accuracy on board load cell for use in truck mounted seals. Sealed for all weather environments.

0.5 mv/v 350/350 ohm, 7 pin connector, nickel plated steel, IP67

Part Number	Capacity	Weight	Stock	List
8300420-10R	30,000 lb	44 lb	6771	\$ 1,551.00



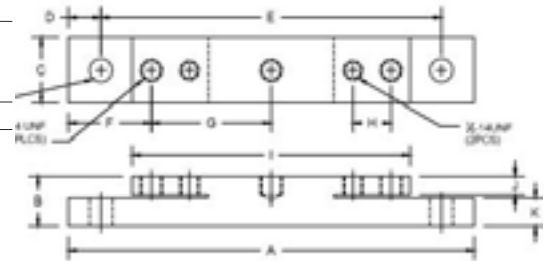
Lodec 8300420-10R

Dimensions in inches

Capacity	A	B	C	D	E
Lodec	22.62	2.31	3.00	1.50	19.62

Dimensions in inches

Capacity	F	G	H	I	J	K
Lodec	3.81	7.50	1.75	16.75	0.88	1.29



Lodec Truck Load Cell

High accuracy on board load cell for use in truck mounted seals. Sealed for all weather environments.

0.5 mv/v 350/350 ohm, 7 pin connector on 3' pigtail, nickel plated steel, IP67

Part Number	Capacity	Weight	Stock	List
8300610-13R	30,000 lb	11.48 lb	6411	\$ 1,128.00



Lodec 8300610-13R

Coti truck load cell

2.0 mv/v 700 ohm input, 700 ohm output, 35 ft 4 wire cable, nickel plated steel, IP67

Part Number	Capacity	Weight	Stock	List
CG-ML1200-12.5K	12,500 lb	22 lb	2229	\$ 1,058.75
CG-ML1200-25K	25,000 lb	22 lb	2230	1,212.75
CG-ML1200-40K	40,000 lb	21.36 lb	2231	1,539.99
CG-ML1200-75K	75,000 lb	21.36 lb	2232	1,539.99

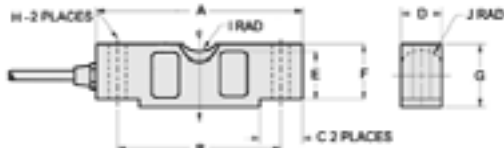


Coti CG-ML1200-75K

Truck



TDE58



TDE58 Totalcomp, beam only

Interchangeable with Sensortronics 65058.

3 mv/v, 700/700 ohms, 50 ft 4 wire cable, nickel plated steel, IP67.

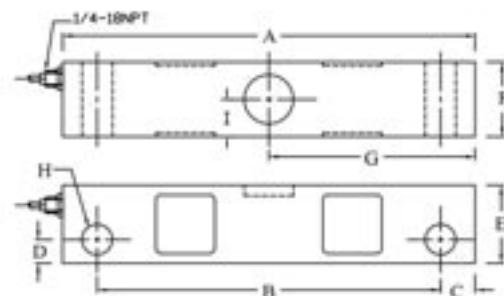
Part Number	Capacity	Weight	Stock	List
TDE58-10K	10,000 lb	7 lb	4662	\$ 555.00
TDE58-20K	20,000 lb	7 lb	4663	555.00
TDE58-25K	25,000 lb	7 lb	4664	555.00
TDE58-40K	40,000 lb	14 lb	4665	587.50
TDE58-50K	50,000 lb	19 lb	4666	587.50
TDE58-60K	60,000 lb	19 lb	4667	587.50
TDE58-75K	75,000 lb	19 lb	4668	587.50

Dimensions in inches

Capacity	A	B	C	D	E	F	G	H	I	J
10K-25K	7.75	6.50	1.38	1.69	1.63	1.70	1.94	0.68	0.75	0.90
40K	10.25	8.50	1.93	1.94	2.00	2.10	2.44	0.81	1.00	1.12
50K-75K	10.25	8.50	1.93	2.44	2.54	2.65	2.94	1.06	1.00	1.37



TB32



TB32 Totalcomp, beam only

Interchangeable with Epelsa LC32 (STR) double ended beam load cells. Load cell has load button installed.

3 mv/v, 700/700 ohm, 50 ft cable, nickel plated steel, IP67.

Part Number	Capacity	Weight	Stock	List
TB32-40K	40,000 lb	14 lb	1709	\$ 905.52
TB32-50K	50,000 lb	14 lb	1710	905.52

Dimensions in inches

Capacity	A	B	C	D	E	F	G	H
40-50K	10.50	8.75	0.88	0.61	2.00	1.91	5.25	0.78

TDE40 Totalcomp

Replacement for CMI Truck Scale load cells. Interchangeable with Sensortronics 65040, Airway AW900.
3 mv/v, 700/700 ohms, 35 ft 4 wire cable, nickel plated steel, IP67.

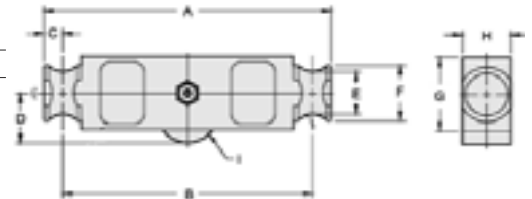
Part Number	Capacity	Weight	Stock	List
TDE40-25K	25,000 lb	16 lb	208	\$ 784.80
TDE40-40K	40,000 lb	16 lb	541	871.53
TDE40-50K-SE	50,000 lb	16 lb	4187	871.53
Small envelope w/120 ft cable				
TDE40-50K	50,000 lb	19 lb	542	871.53
TDE40-60K	60,000 lb	19 lb	543	871.53
TDE40-75K	75,000 lb	19 lb	545	871.53
TDE40-100K	100,000 lb	45 lb	2012	1,676.18
TDE40-125K	125,000 lb	45 lb	2013	1,676.18



TDE40

Dimensions in inches

Capacity	A	B	C	D	E	F	G	H	I	J
25K-40K	8.25	7.25	0.50	1.75	1.63	2.00	2.44	1.94	0.50	0.50
50K-75K	11.50	10.00	0.75	2.00	1.70	2.20	2.94	1.94	1.00	0.75
100K-125K	14.50	12.50	1.00	2.75	2.44	3.20	3.86	2.90	1.50	1.00



TDE23 Totalcomp, beam only

Interchangeable with RTI Model 5223
3 mv/v, 700/700 ohm, 35 ft 4 wire cable, nickel plated steel w/welded covers, IP67.

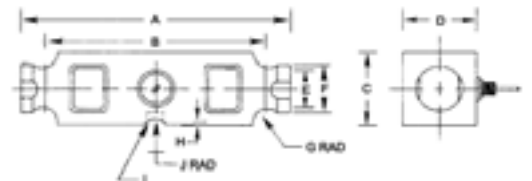
Part Number	Capacity	Weight	Stock	List
TDE23-50K	50,000 lb	21 lb	2016	\$ 895.57



TDE23

Dimensions in inches

Capacity	A	B	C	D	E	F	G	H	I	J
20K-40K	8.25	7.25	2.44	1.94	1.63	2.00	0.50	0.25	0.75	0.50
50K-150K	10.25	8.50	2.90	2.90	2.05	2.40	1.00	0.25	0.75	1.00
200K	11.50	10.00	3.40	3.40	2.35	2.75	1.50	0.40	0.75	1.50



Truck



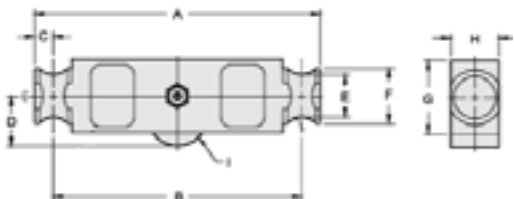
65040



65040 Sensortronics

Replacement for CMI Truck Scale load cells and Thurman TSC840 load cells.
3 mv/v, 700/700 ohms, 35 ft 4 wire cable, nickel plated steel, IP67.
NTEP Legal for Trade 86-045

Part Number	Capacity	Weight	Stock	List
65040A-25K	25,000 lb	17 lb	1276	\$ 784.80
65040A-40K	40,000 lb	17 lb	1278	871.53
65040A-50K (Small Envelope)	50,000 lb	17 lb	4186	871.53
65040A-50K	50,000 lb	18 lb	1280	871.53
65040A-60K	60,000 lb	18 lb	50	871.53
65040A-75K	75,000 lb	18 lb	1286	871.53
65040A-100K	100,000 lb	60 lb	1559	1,676.18
65040A-125K	125,000 lb	60 lb	1562	1,676.18



Dimensions in inches

Capacity	A	B	C	D	E	F	G	H	I	J
25K-40K	8.25	7.25	0.50	1.75	1.63	2.00	2.44	1.94	0.50	0.50
50K-75K	11.50	10.00	0.75	2.00	1.70	2.20	2.94	1.94	1.00	0.75
100K-125K	14.50	12.50	1.00	2.75	2.44	3.20	3.86	2.90	1.50	1.00

Truck

65058-SS Scentroidronics, beam only

3 mv/v, 700/700 ohms, 25 ft 4 wire cable, stainless steel, w/welded gauge cover caps, IP67.

NTEP Legal for Trade 86-046

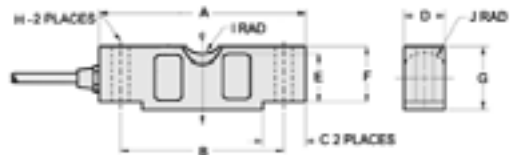
Part Number	Capacity	Weight	Stock	List
65058S-20K-SS	20,000 lb	9 lb	2095	\$ 844.36
65058S-25K-SS	25,000 lb	9 lb	2096	724.19
65058S-40K-SS	40,000 lb	11 lb	2098	1,168.00
65058S-50K-SS	50,000 lb	19 lb	2099	1,168.00
65058S-60K-SS	60,000 lb	19 lb	2100	1,168.00
65058S-75K-SS	75,000 lb	19 lb	2101	1,166.22



65058-SS

Dimensions in inches

Capacity	A	B	C	D	E	F	G	H	I	J
10K-25K	7.75	6.50	1.38	1.69	1.63	1.70	1.94	0.68	0.75	0.90
40K	10.25	8.50	1.93	1.94	2.00	2.10	2.44	0.81	1.00	1.12
50K-75K	10.25	8.50	1.93	2.44	2.54	2.65	2.94	1.06	1.00	1.37
100K-125K	15.25	12.75	3.13	2.90	3.30	3.43	3.86	1.62	1.50	1.80
150K-200K	19.25	15.25	4.00	3.80	4.44	5.12	5.80	1.62	2.00	2.37



65061 Scentroidronics, beam only

Interchangeable with Fairbanks Rodan Truck scale load cells. Load cell does not have a load button. It must be ordered separately or the existing button may be used.

3 mv/v, 700/700 ohm, 35 ft cable, nickel plated steel or stainless steel, IP67.

NTEP Legal for Trade 87-053

Part Number	Fairbanks	Capacity	Weight	Stock	List
Nickel plated steel					
65061A-40K-1000	90814-60	40,000 lb	17 lb	4051	\$ 1,185.03
65061A-50K-1000	91088-60	50,000 lb	17 lb	4052	1,185.03

Stainless steel

65061S-50K-1107	----	50,000 lb	19 lb	6064	1,487.04
-----------------	------	-----------	-------	------	----------

Service Parts

61733 Load button w/ 54798 pin		2 lb	6212	92.30
61729 Load pin		3 lb	6213	66.30
61770 Support pin (2) per cell		2 lb	6214	48.00
61833 Bushing (4) per cell		1 lb	6215	46.80



65061



Load Pin



Bushing



Load Button



Support Pin

Prices are subject to change without notice. Please call for current prices.

Other items are available from the manufacturers, please call for quote.

13-01 Pollitt Dr Ext
Fair Lawn NJ 07410
201-797-2718

Totalcomp
Components

www.totalcomp.com
sales@totalcomp.com
Fax 201-797-2287

Single Point

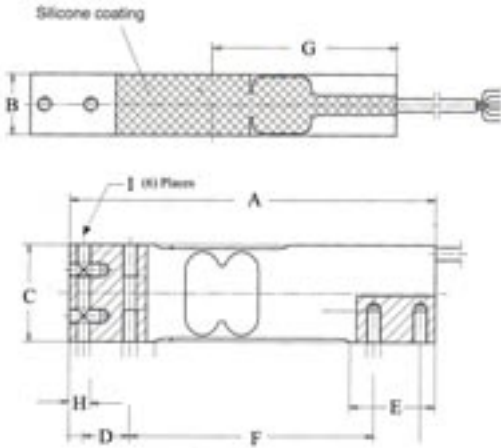


TP40
Interchanges 1040

TP40 Totalcomp

Interchangeable with Tedeo Model 1040. Mounting screws are 1/4-20 UNC(coarse) with 3/4" spacing on both top and bottom.
2 mv/v, 350/350 ohm, 10 ft 6 wire cable, anodized aluminum, IP67.

Part Number	Capacity	Nominal	Weight	Stock	List
TP40-7kg	7 kg	15 lb	2 lb	3056	\$ 159.00
TP40-10kg	10 kg	20 lb	2 lb	3057	167.00
TP40-15kg	15 kg	30 lb	2 lb	3058	1678.00
TP40-20kg	20 kg	40 lb	2 lb	3059	167.00
TP40-30kg	30 kg	60 lb	2 lb	3060	167.00
TP40-50kg	50 kg	100 lb	2 lb	3061	159.00
TP40-75kg	75 kg	150 lb	2 lb	3062	159.00
TP40-100kg	100 kg	200 lb	2 lb	3063	201.00
TP40-200kg	200 kg	400 lb	2 lb	6479	183.00



Dimensions in inches

Capacity	A	B	C	D	E	F	G	H	I
7kg-200kg	5.90	0.79	1.00	0.75	0.75	3.94	2.95	0.22	1/4-20 UNC



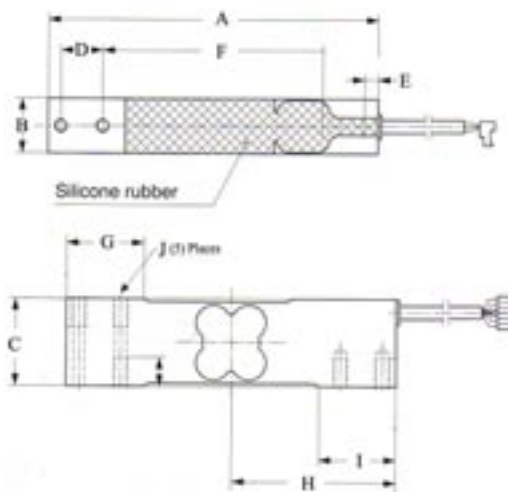
TP40-SS
Interchanges 1140

TP40-SS Totalcomp

Interchangeable with Tedeo Model 1140. Mounting screws are 1/4-20 UNC(coarse) with 3/4" spacing on both top and bottom. Used in hostile, corrosive and high shock environments.

2 mv/v, 350/350 ohm, 10 ft 6 wire cable, **stainless steel**, IP67.

Part Number	Capacity	Nominal	Weight	Stock	List
TP40-10kg-SS	10 kg	20 lb	3 lb	3065	\$ 442.00
TP40-15kg-SS	15 kg	30 lb	3 lb	3066	374.00
TP40-20kg-SS	20 kg	40 lb	3 lb	3067	442.00
TP40-30kg-SS	30 kg	60 lb	3 lb	3068	385.00
TP40-50kg-SS	50 kg	100 lb	3 lb	3069	367.00
TP40-75kg-SS	75 kg	150 lb	3 lb	3070	431.00
TP40-100kg-SS	100 kg	200 lb	3 lb	3071	367.00
TP40-150kg-SS	150 kg	300 lb	3 lb	6187	431.00



Dimensions in inches

Capacity	A	B	C	D	E	F	G	H	I	J
7kg-200kg	5.90	0.79	1.00	0.75	0.75	3.94	0.25	2.95	1.37	1/4-20 UNC

Prices are subject to change without notice. Please call for current prices.

Other items are available from the manufacturers, please call for quote.

Single Point

TSP51 Totalcomp

Replacement for Sensortronics Model 60051. Mounting screws are 1/4- 28 UNF(fine) with 3/4" spacing on both top and bottom.
2 mv/v, 380/350 ohms, 10 ft 4 wire cable, **stainless steel**, IP67.

Part Number	Capacity	Weight	Stock	List
TSP51-10 lb	10 lb	2 lb	204	\$ 354.59
TSP51-15 lb	15 lb	2 lb	205	354.59
TSP51-25 lb	25 lb	2 lb	426	354.59
TSP51-50 lb	50 lb	3 lb	258	462.00
TSP51-100 lb	100 lb	3 lb	215	462.00
TSP51-200 lb	200 lb	3 lb	214	462.00



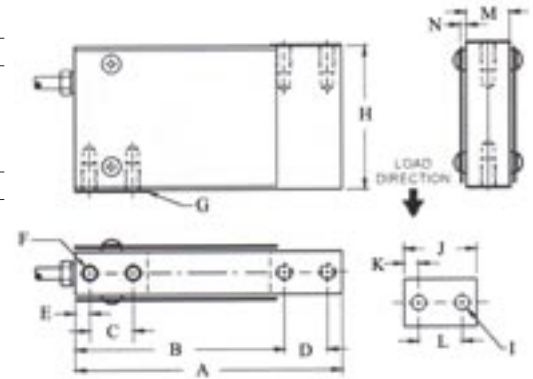
TSP51

Dimensions in inches

Capacity	A	B	C	D	E	F	G	H
10lb-25lb	4.63	3.63	0.75	0.75	0.25	1/4-20 UNC	0.25	2.50
50lb-200lb	4.63	3.63	0.75	0.75	0.25	1/4-20 UNC	0.25	2.50

Dimensions in inches

Capacity	I	J	K	L	M	N
10lb-25lb	0.25	1.25	0.25	0.75	0.50	0.10
50lb-200lb	0.25	1.25	0.25	0.75	0.75	0.10



Single point

T1241 Totalcomp

Interchangeable w/ TedeA 1241 and General Sensor GS1241
2 mv/v, 406/350 ohms, 5m 6 wire cable, anodized aluminum, potted. IP67.

Part Number	Capacity	Nominal	Weight	Stock	List
T1241-50kg	50 kg	100 lb	2 lb	8359	\$ 308.00
T1241-100kg	100 kg	200 lb	2 lb	8360	308.00
T1241-150kg	150 kg	300 lb	2 lb	8361	308.00
T1241-200kg	200 kg	400 lb	2 lb	8362	308.00
T1241-250kg	250 kg	500 lb	2 lb	8363	308.00
T1241-P-250kg *	250 kg	500 lb	2 lb	2520	308.00
T1241-P-250kg LP *	250 kg	500 lb	2 lb	2521	308.00

* Metric thread mounting holes

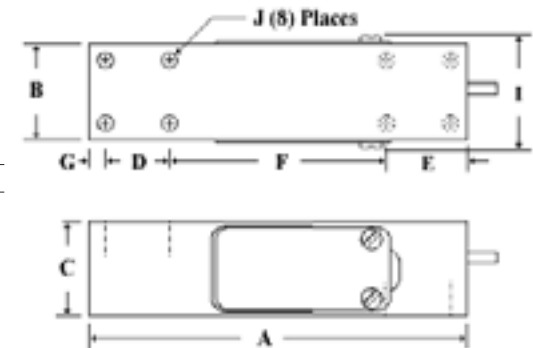
Dimensions in inches

Capacity	A	B	C	D	E	F	G	J
50kg-250kg	5.91	1.50	1.57	1.00	1.00	3.41	0.25	1/4-20UNC
250kg LP **	5.91	1.50	1.49	1.00	1.00	3.41	0.25	1/4-20UNC

** LP = Low profile 0.08 " shorter



T1241



Prices are subject to change without notice. Please call for current prices.

Other items are available from the manufacturers, please call for quote.

13-01 Pollitt Dr Ext
Fair Lawn NJ 07410
201-797-2718

Totalcomp
Components

www.totalcomp.com
sales@totalcomp.com
Fax 201-797-2287

Single Point



TP-MK4

TP-MK4D Totalcomp

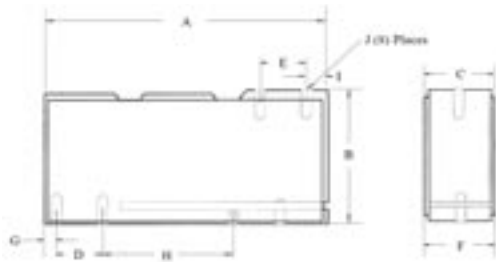
Interchangeable with NCI Model MK 4 load cells. Top has (2)1/4-20 mtg holes with 3/4" spacing. Bottom has (3)1/4-20 mtg holes with 3/4" & 2" spacing. Overload stops for both compression and tension loads.

2 mv/v, 350/350 ohms, 10 ft 4 wire cable, nickel plated steel, IP67.

Part Number	Capacity	Weight	Stock	List
TP-MK4D-25	25 lb	3 lb	656	\$ 468.00

Dimensions in inches

Capacity	A	B	C	D	E	F	G	H	I	J
50-2000	4.75	2.50	1.00	0.75	0.75	1.26	0.25	2.00	0.25	1/4-20 MTG



TP-MK4D-SS

TP-MK4D-SS Totalcomp

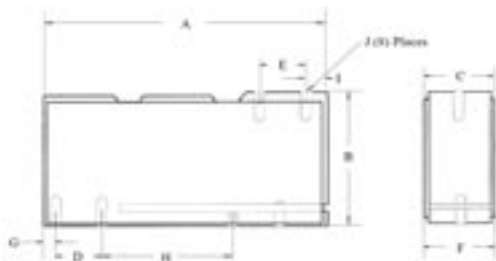
Interchangeable with NCI Model MK 4 load cells. Top has (2)1/4-20 mtg holes with 3/4" spacing. Bottom has (3)1/4-20 mtg holes with 3/4" & 2" spacing. Overload stops for both compression and tension loads.

2 mv/v, 350/350 ohms, 10 ft 4 wire cable, **stainless steel**, IP67.

Part Number	Capacity	Weight	Stock	List
TP-MK4D-10-SS	10 lb	3 lb	2428	\$ 557.87
TP-MK4D-15-SS	15 lb	3 lb	2429	557.87
TP-MK4D-25-SS	25 lb	3 lb	2430	557.87
TP-MK4D-30-SS	30 lb	3 lb	2431	557.87
TP-MK4D-50-SS	50 lb	3 lb	2432	557.87
TP-MK4D-100-SS	100 lb	3 lb	2433	557.87

Dimensions in inches

Capacity	A	B	C	D	E	F	G	H	I	J
50-2000	4.75	2.50	1.00	0.75	0.75	1.26	0.25	2.00	0.25	1/4-20 MTG



Single Point

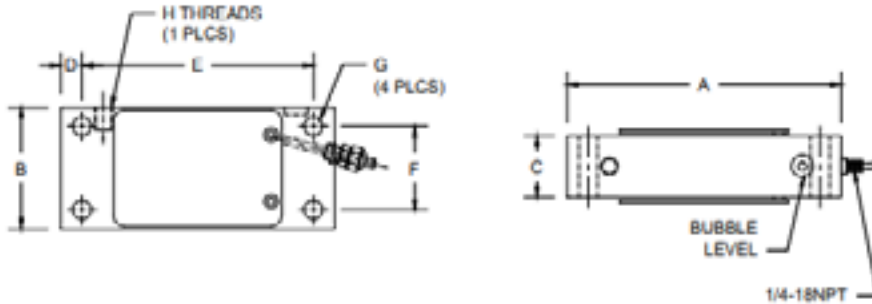
TP-FLS Totalcomp

Interchangeable with Weigh-Tronix FLS single point load cell. (4) mounting holes 0.453" dia. 2" vertical spacing. 5.5" horizontal spacing, center to center. Over 250 lb has larger envelope 8" x 3.75" with hole spacing 7" x 2.75". Overall 6.5" x 2.9" high. 1 mv/v, 400/350 ohms, 10 ft 4 wire cable, stainless steel, IP67.

Part Number	Weigh-Tronix	Capacity	Weight	Stock	List
TP-FLS-30		30 lb	4 lb	4204	\$ 635.25
TP-FLS-50		50 lb	4 lb	4205	635.25
TP-FLS-75	49098-0067	75 lb	4 lb	4573	734.00
TP-FLS-125	49098-0075	125 lb	7 lb	4206	635.25
TP-FLS-250	49098-0042	250 lb	7 lb	4207	635.25
TP-FLS-625-SE		625 lb	5.51 lb	4208	625.00
SE is small envelope. Same size as 125 and 250 lb capacities					
TP-FLS-625	49100-0022	625 lb	9 lb	4209	866.25

Dimensions in inches

RATED CAPACITY	DIMENSIONS							
	A	B	C	D	E	F	G	H
50lb	6.50	2.90	0.74	0.50	5.50	2.00	0.45	5/16-18UNCx0.50dp
125-250lb	6.50	2.90	1.46	0.50	5.50	2.00	0.45	5/16-18UNCx0.50dp
625lb	8.00	3.75	1.91	0.50	7.00	2.75	0.52	



TP-FLS

Single point

TP462 Totalcomp

Interchangeable with RTI Model 462. 2 mv/v, 350/350 ohms, 10 ft 4 wire cable, aluminum, IP67.

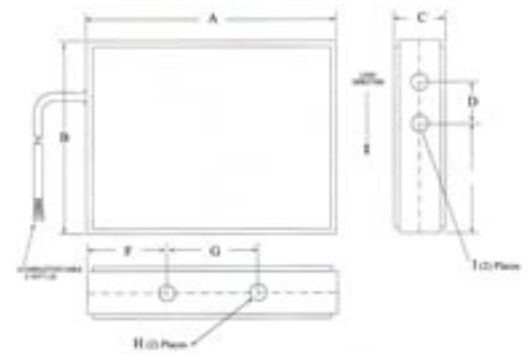
Part Number	Capacity	Weight	Stock	List
TP462-5	5 lb	2 lb	1236	\$ 524.59
TP462-10	10 lb	2 lb	1237	558.03
TP462-20	20 lb	2 lb	1238	558.03
TP462-50	50 lb	3 lb	1239	608.19
TP462-100	100 lb	3 lb	1240	608.19



TP462

Dimensions in inches

Capacity	A	B	C	D	E	F	G	H	I
5-20 lb	5.11	4.00	1.24	0.75	2.60	1.68	2.20	3/8-24 UNF	1/4-28 x .5
50-100 lb	6.00	4.68	1.24	1.00	2.60	1.90	2.20	3/8-24 UNF	1/4-28 x .5
250 lb	6.00	4.00	1.24	1.50	2.35	1.90	2.20	3/8-24 UNF	1/4-28 x .5



Prices are subject to change without notice. Please call for current prices.

Other items are available from the manufacturers, please call for quote.

13-01 Pollitt Dr Ext
Fair Lawn NJ 07410
201-797-2718

Totalcomp
Components

www.totalcomp.com
sales@totalcomp.com
Fax 201-797-2287

Single Point



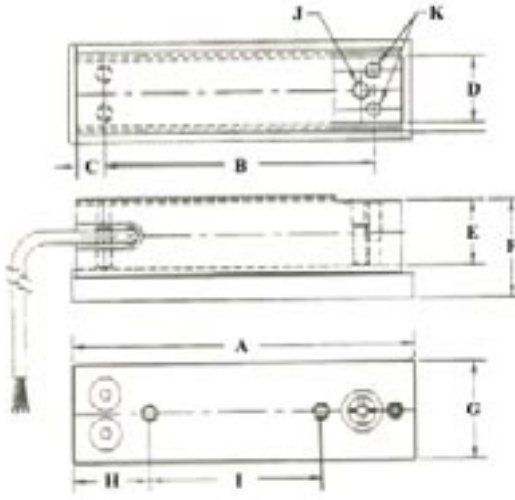
TP-MK21

TP-MK21 Totalcomp

Replacement for NCI Model MK-21 used in NCI Model 3270 scale.
2 mv/v, 350/350 ohms, 10 ft 4 wire cable, **stainless steel**, IP67.

Part Number	Capacity	Nominal	Weight	Stock	List
TP-MK21-4.5	4.5 kg	10 lb	3 lb	1608	\$ 571.73
TP-MK21-7.5	7.5 kg	15 lb	3 lb	1609	571.73
TP-MK21-18	18 kg	40 lb	3 lb	1610	571.73
TP-MK21-35	35 kg	75 lb	3 lb	1611	571.73
TP-MK21-50	50 kg	100 lb	3 lb	926	571.73

Single point



Dimensions in inches

Capacity	A	B	C	D	E	F	G	H
4.5-50kg	5.25	4.10	0.44	1.00	1.00	1.50	1.50	1.20

Dimensions in inches continued

Capacity	I	J	K
4.5-50kg	2.60	1/4-28 UNF	1/4-28 UNF

Single Point

TFB Totalcomp

Replacement for Fairbanks Series 7 base model 70-4050-2.
2 mv/v, 350/350 ohm, 18" 4 wire cable, beryllium copper, IP67.

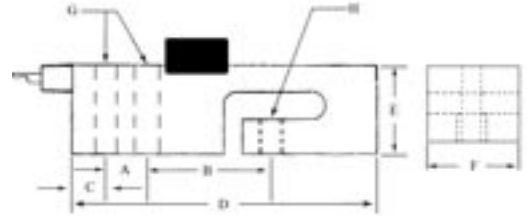
Part Number	Fairbanks	Capacity	Weight	Stock	List
TFB-50 kg	13080	50 kg	1 lb	869	\$ 570.00



TFB-50 kg

Dimensions in inches

Capacity	A	B	C	D	E	F	G	H
50kg	0.50	1-5/16	3/16	3.00	5/8	0.75	1/8	8-32



Single point

Prices are subject to change without notice. Please call for current prices.

Other items are available from the manufacturers, please call for quote.

13-01 Pollitt Dr Ext
Fair Lawn NJ 07410
201-797-2718

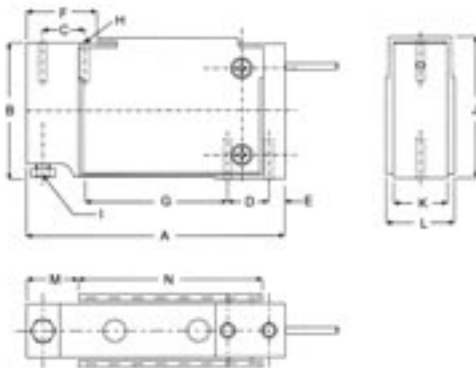
 **Totalcomp**
Components

www.totalcomp.com
sales@totalcomp.com
Fax 201-797-2287

Single Point



1010



1010 Tedeia

Interchangeable with Toledo model 773. Replacement for Electroscale 438, 920, 925, General 4535, MLC SS, NCI MK16, 3250, 8205, 5800, 3800. Mounting screws are 1/4-20 UNC(coarse) with 3/4" spacing on both top and bottom. These cells have a unique humid-ity resistant protective coating assures long term stability even under harsh environment and extreme temperatures.

2 mv/v, 415/350 ohms, 1 m 6 wire cable, anodized aluminum, IP65
NTEP Legal for Trade 89-074

Part Number	Capacity	Nominal	Weight	Stock	List
1010-3 *	3 kg	6 lb	2 lb	593	\$ 197.51
1010-5	5 kg	10 lb	2 lb	332	197.51
1010-7	7 kg	15 lb	2 lb	333	197.51
1010-10	10 kg	20 lb	2 lb	334	197.51
1010-15	15 kg	30 lb	2 lb	335	197.51
1010-20	20 kg	40 lb	2 lb	336	197.51
1010-30	30 kg	60 lb	2 lb	337	197.51
1010-50	50 kg	100 lb	2 lb	338	197.51
1010-90 *	90 kg	180 lb	2 lb	595	197.51

* Not NTEP

Dimensions in inches

Capacity	A	B	C	D	E	F	G	H	I	J
3kg-90kg	4.64	2.48	0.75	0.75	0.29	1.26	2.55	1.26	M6 x 1.0	2.59

Dimensions in inches

Capacity	K	L	M	N
3kg-90kg	1.00	1.34	0.98	3.15

1015 Tedeia

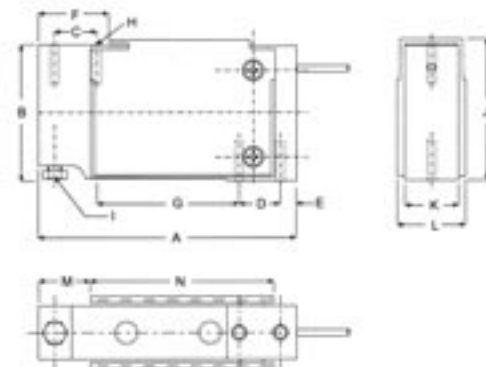
Interchangeable with Toledo model 773. Replacement for Electroscale 438, 920, 925, General 4535, MLC SS, NCI MK16, 3250, 8205, 5800, 3800. Mounting screws are 1/4-20 UNC(coarse) with 3/4" spacing on both top and bottom. These cells have a unique humid-ity resistant protective coating assures long term stability even under harsh environment and extreme temperatures.

2 mv/v, 415/350 ohms, 3 m 6 wire cable, anodized aluminum, IP65
NTEP Legal for Trade 89-074

Part Number	Capacity	Nominal	Weight	Stock	List
1015-3 *	3 kg	6 lb	3 lb	738	\$ 207.96
1015-5	5 kg	10 lb	3 lb	739	207.96
1015-7	7 kg	15 lb	3 lb	740	207.96
1015-10	10 kg	20 lb	3 lb	741	207.96
1015-15	15 kg	30 lb	3 lb	742	207.96
1015-20	20 kg	40 lb	3 lb	743	207.96
1015-30	30 kg	60 lb	3 lb	744	207.96
1015-50	50 kg	100 lb	3 lb	745	207.96
1015-90 *	90 kg	180 lb	3 lb	746	207.96

* Not NTEP

1015



Prices are subject to change without notice. Please call for current prices.

Other items are available from the manufacturers, please call for quote.

Single Point

1022 Tedeá

Interchangeable with NMB C2G1, Scaime EP, Toledo 0765, General Sensor GC2G1.
 M6 thread mounting holes on all capacities.
 2 mv/v, 415/350 ohms, 10 ft 4 wire cable, anodized aluminum.
 NTEP Legal for Trade 96-122

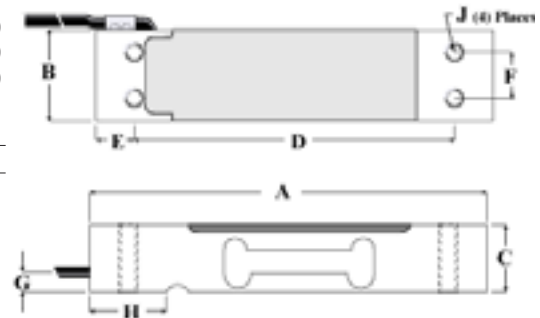
Part Number	Capacity	Nominal	Weight	Stock	List
1022-3kg	3 kg	6 lb	1 lb	4196	\$ 148.39
1022-5kg	5 kg	10 lb	1 lb	4197	148.39
1022-7kg	7 kg	14 lb	1 lb	4198	148.39
1022-10kg	10 kg	20 lb	1 lb	4199	148.39
1022-15kg	15 kg	30 lb	1 lb	4200	148.39
1022-20kg	20 kg	40 lb	1 lb	4201	148.39
1022-30kg	30 kg	60 lb	1 lb	4202	148.39
1022-35kg	35 kg	70 lb	1 lb	4203	148.39
1022-50kg	50 kg	100 lb	1 lb	4035	148.39

Dimensions in inches

Capacity	A	B	C	D	E	F	G	H	J
3kg-7kg	5.11	1.00	0.86	4.17	0.47	0.59	0.22	0.98	M6
10kg-30kg	5.11	1.18	0.86	4.17	0.47	0.59	0.22	0.98	M6
35kg-200kg	5.11	1.57	0.86	4.17	0.47	0.59	0.22	0.98	M6



1022
w/ 10 ft cable



Single point

1030 Tedeá

1/4-20 UNC mounting holes
 2 mv/v, 415/350 ohms, 1 m 6 wire cable, anodized aluminum. IP67.

Part Number	Capacity	Nominal	Weight	Stock	List
1030-3	3 kg	6 lb	1 lb	4239	\$ 246.62
1030-5	5 kg	10 lb	1 lb	4240	246.62
1030-7	7 kg	15 lb	1 lb	4241	246.62
1030-10	10 kg	20 lb	1 lb	4242	246.62
1030-15	15 kg	30 lb	1 lb	4243	254.98

Dimensions in inches

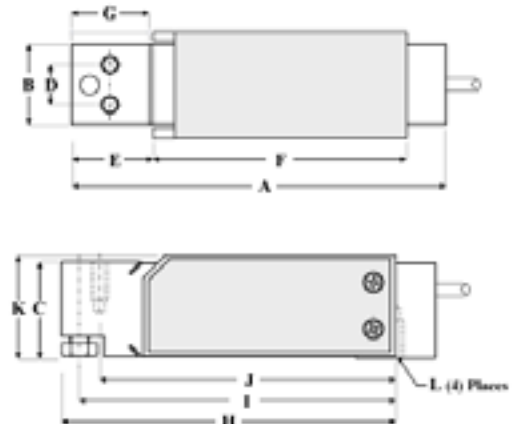
Capacity	A	B	C	D	E	F	G
3kg-15kg	4.64	1.00	1.22	0.50	0.98	3.14	0.96

Dimensions in inches continued

Capacity	H	I	J	K	L
3kg-15kg	4.16	3.93	3.68	1.30	1/4-20 UNC



1030



Prices are subject to change without notice. Please call for current prices.

Other items are available from the manufacturers, please call for quote.

13-01 Pollitt Dr Ext
 Fair Lawn NJ 07410
 201-797-2718

Totalcomp
 Components

www.totalcomp.com
 sales@totalcomp.com
 Fax 201-797-2287

Single Point

Single point



1040



1140



1040, 1140 Tedeia

These cells have a unique humidity resistant protective coating assures long term stability even under harsh environment and extreme temperatures. Mounting screws are 1/4-20 UNC(coarse) with 3/4" spacing on both top and bottom.

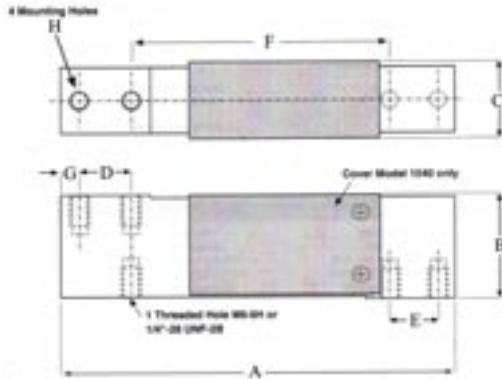
2 mv/v, 9 ft 6 wire cable

1040: 415/350 ohm, anodized aluminum.

1140: 380/350 ohm, **stainless steel**.

1040: NTEP Legal for Trade 89-075

Part Number	Capacity	Nominal	Weight	Stock	List
Aluminum (NTEP)					
1040-5	5 kg	10 lb	2 lb	1799	\$ 210.05
1040-7	7 kg	5 lb	2 lb	1800	210.05
1040-10	10 kg	20 lb	2 lb	1801	210.05
1040-15	15 kg	30 lb	2 lb	1802	210.05
1040-20	20 kg	40 lb	2 lb	1803	210.05
1040-30	30 kg	60 lb	2 lb	1804	210.05
1040-50	50 kg	100 lb	2 lb	1805	210.05
1040-75	75 kg	150 lb	2 lb	950	210.05
1040-100	100 kg	200 lb	2 lb	1806	210.05
Stainless Steel					
1140-15	15 kg	30 lb	3 lb	1807	357.39
1140-20	20 kg	40 lb	3 lb	1808	357.39
1140-30	30 kg	60 lb	3 lb	1809	357.39
1140-50	50 kg	100 lb	3 lb	1810	357.39
1140-75	75 kg	150 lb	3 lb	1811	357.39
1140-100	100 kg	200 lb	3 lb	1812	357.39
1140-150	150 kg	300 lb	3 lb	709	357.39
High Temperature (280 deg F)					
1040-I-10-280F-AL	10 kg	15 lb	3 lb	4188	1,043.00
1140-F-15-280F-SS	15 kg	30 lb	3 lb	4040	1,267.00



Dimensions in inches

Capacity	A	B	C	D	E	F	G	H
5kg-150kg	5.90	1.57	1.16	0.75	0.75	3.94	0.25	1/4-20 UNC

Prices are subject to change without notice. Please call for current prices.

Other items are available from the manufacturers, please call for quote.

Single Point

1042 Tedea

Replacement for Tedea Model 1040. Mounting screws are 1/4-20 UNC(coarse) with 3/4" spacing on both top and bottom. These cells have a unique humidity resistant protective coating assures long term stability even under harsh environment and extreme temperatures.

2 mv/v, 9 ft 6 wire cable, 415/350 ohm, anodized aluminum.

NTEP Legal for Trade 96-132

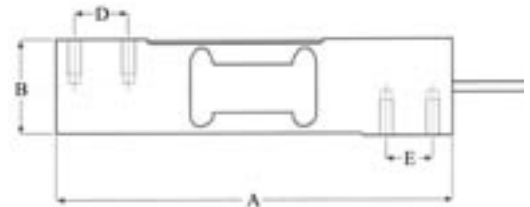
Part Number	Capacity	Nominal	Weight	Stock	List
1042-1	1 kg	2 lb	2 lb	3267	\$ 204.82
1042-3	3 kg	6 lb	2 lb	3268	204.82
1042-5	5 kg	10 lb	2 lb	3496	204.82
1042-7	7 kg	15 lb	2 lb	3497	204.82
1042-10	10 kg	20 lb	2 lb	3498	204.82
1042-15	15 kg	30 lb	2 lb	3499	204.82
1042-20	20 kg	40 lb	2 lb	3500	204.82
1042-30	30 kg	60 lb	2 lb	3501	204.82
1042-50	50 kg	100 lb	2 lb	3502	204.82
1042-75	75 kg	150 lb	2 lb	3163	204.82
1042-100	100 kg	200 lb	2 lb	3503	204.82

Dimensions in inches

Capacity	A	B	C	D	E	F	G	H
1kg-30kg	5.90	1.57	0.79	0.75	0.75	3.94	0.25	1/4-20 UNC
50kg-250kg	5.90	1.57	1.00	0.75	0.75	3.94	0.25	1/4-20 UNC



1042



1142 Tedea

Stainless steel load cell. Interchangeable with models 1040, 1041, 1042 and 1140. Made for harsh treatment and/or caustic environments. Mounting screws are 1/4-20 UNC(coarse) with 3/4" spacing on both top and bottom.

2 mv/v, 383/350 ohm, 1m 6 wire cable, **stainless steel**, IP66

Part Number	Capacity	Nominal	Weight	Stock	List
1142-F-15	15 kg	30 lb	3 lb	4903	\$ 323.95
1142-F-20	20 kg	40 lb	3 lb	4904	323.95
1142-F-30	30 kg	60 lb	3 lb	4905	323.95
1142-F-50	50 kg	100 lb	3 lb	4906	323.95
1142-F-75	75 kg	150 lb	3 lb	4907	323.95
1142-F-75-10*	75 kg	150 lb	3 lb	4851	344.85
1142-F-100	100 kg	200 lb	3 lb	4908	323.95
1142-F-150	150 kg	300 lb	3 lb	4909	323.95

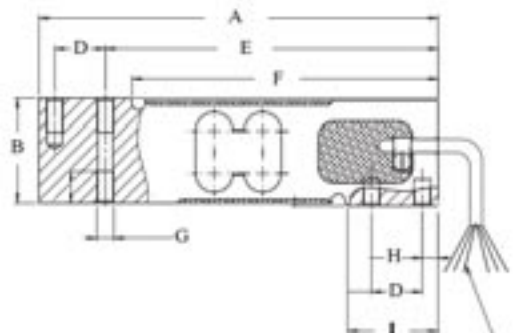
* w/ 10 ft cable

Dimensions in inches

Capacity	A	B	C	D	E	F	G	H
1kg-30kg	5.90	1.57	0.79	0.75	0.75	3.94	0.25	1/4-20 UNC
50kg-250kg	5.90	1.57	1.00	0.75	0.75	3.94	0.25	1/4-20 UNC



1142
Stainless steel
Interchanges 1040



FOUR OR SIX LEAD SHIELDED
CABLE 1 meter (3ft) LONG

Prices are subject to change without notice. Please call for current prices.

Other items are available from the manufacturers, please call for quote.

13-01 Pollitt Dr Ext
Fair Lawn NJ 07410
201-797-2718

Totalcomp
Components

www.totalcomp.com
sales@totalcomp.com
Fax 201-797-2287

157

Single point

Single Point



1130



1130 Tedea

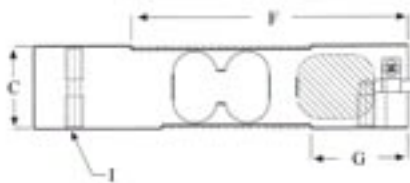
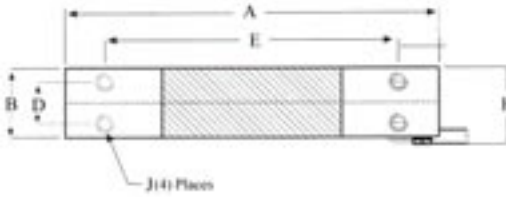
Replacement for the Weigh-Tronix MK29.

2 mv/v, 383/350 ohms, 10 ft 6 wire cable, stainless steel. IP67.

Part Number	Capacity	Nominal	Weight	Stock	List
1130-7	7 kg	17 lb	2 lb	2734	\$ 316.64
1130-10	10 kg	20 lb	2 lb	2589	316.64
1130-15	15 kg	30 lb	2 lb	2590	316.64
1130-20	20 kg	40 lb	2 lb	2591	316.64
1130-30	30 kg	60 lb	2 lb	2592	316.64
1130-50	50 kg	100 lb	2 lb	2593	316.64
1130-75	75 kg	150 lb	2 lb	2594	316.64

Dimensions in inches

Capacity	A	B	C	D	E	F	G	H	I	J
7-75kg	5.31	0.98	1.18	0.59	4.17	3.94	1.37	1.09	1/4-20 UNF	1/4-20 UNF



Single point



1250



1250 Tedea

Interchangeable with Toledo model 775. These cells have a unique humidity resistant protective coating assures long term stability even under harsh environment and extreme temperatures.

2 mv/v, 415/350 ohms, 10 ft 6 wire cable, anodized aluminum.

NTEP Legal for Trade 89-054

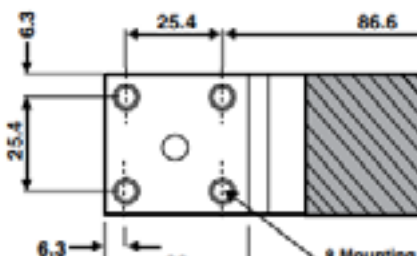
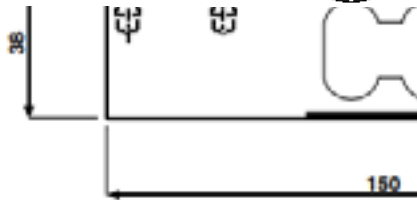
Part Number	Capacity	Nominal	Weight	Stock	List
1250-50kg	50 kg	100 lb	7 lb	1233	\$ 328.13
1250-75kg	75 kg	150 lb	7 lb	596	328.13
1250-100kg	100 kg	200 lb	7 lb	597	328.13
1250-100kg Metric	100 kg	200 lb	7 lb	1926	328.13
1250-150kg	150 kg	300 lb	7 lb	598	328.13
1250-200kg	200 kg	400 lb	7 lb	599	328.13
1250-250kg	250 kg	500 lb	7 lb	600	328.13
1250-300kg	300 kg	600 lb	7 lb	1234	328.13
1250-500kg	500 kg	1,000 lb	7 lb	1235	328.13
1250-635kg	635 kg	1,400 lb	7 lb	1813	328.13
1250-1000kg	1,000 kg	2,200 lb	7 lb	1520	328.13

Dimensions in inches

Capacity	A	B	C	D	E	F	G	H	I
50kg-1000kg	7.52	2.95	3.16	0.98	0.98	4.92	0.31	2.95	2.36

Dimensions in inches

Capacity	J	K	M	N	O	P
50kg-1000kg	3.35	2.98	1.59	1.91	5/16-18 UNC	0.45



Prices are subject to change without notice. Please call for current prices.

Other items are available from the manufacturers, please call for quote.

Single Point

1240 Tede

Interchange for LOCOSC 7160 load cell. **Stainless steel**, 1/4-20 UNC mounting holes. 2 mv/v, 380/350 ohms, 1.5 m 6 wire cable, **stainless steel**, IP65.

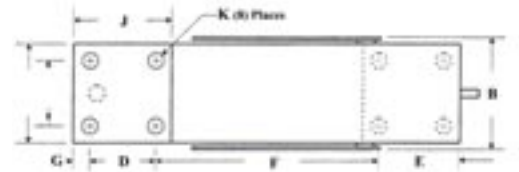
Part Number	Capacity	Weight	Stock	List
1240-200	200 kg	3 lb	3505	\$ 364.71
1240-250	250 kg	3 lb	3506	364.71



1240

Dimensions in inches

Capacity	A	B	C	D	E	F	G	H	I	J	K
200kg-500kg	5.91	1.71	1.57	1.00	1.00	3.41	0.25	1.50	1.00	1.50	1/4-20 UNC



1260S Tede

10,000 div NTEP. Slightly smaller than the Model 1250. 2 mv/v, 415/350 ohms, 3m 6 wire cable, anodized aluminum, IP66. NTEP Legal for Trade 02-080

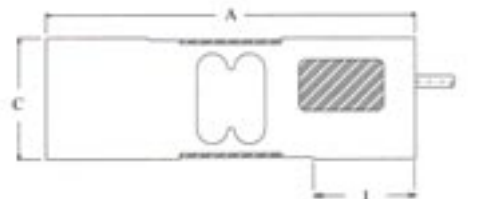
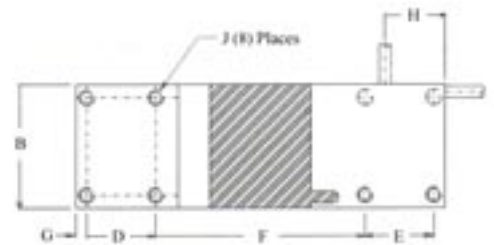
Part Number	Capacity	Nominal	Weight	Stock	List
1260S-75kg	75 kg	150 lb	5 lb	249	\$ 305.14
1260S-100kg	100 kg	200 lb	5 lb	251	305.14
1260S-150kg	150 kg	300 lb	5 lb	253	305.14
1260S-200kg	200 kg	400 lb	5 lb	264	305.14
1260S-250kg	250 kg	500 lb	5 lb	266	305.14
1260S-300kg	300 kg	600 lb	5 lb	267	305.14
1260S-500kg	500 kg	1,000 lb	5 lb	268	305.14
1260S-635kg	635 kg	1,400 lb	5 lb	269	305.14



1260S

Dimensions in inches

Capacity	A	B	C	D	E	F	G	H	I	J
50kg-635kg	7.40	2.49	2.45	1.38	1.38	4.21	0.22	1.20	2.04	5/16-18



Prices are subject to change without notice. Please call for current prices.

Other items are available from the manufacturers, please call for quote.

13-01 Pollitt Dr Ext
Fair Lawn NJ 07410
201-797-2718

Totalcomp
Components

www.totalcomp.com
sales@totalcomp.com
Fax 201-797-2287

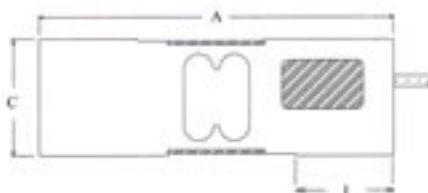
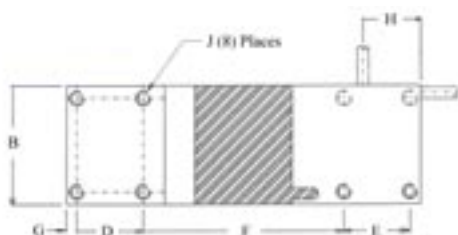
159

Single point

Single Point



1260



1260 Tedeia

Slightly smaller than the Model 1250. This model is specially potted for use in high moisture scales.

2 mv/v, 415/350 ohms, 3m 6 wire cable, anodized aluminum, IP67.

NTEP Legal for Trade 96-064

Part Number	Capacity	Nominal	Weight	Stock	List
1260-50kg	50 kg	100 lb	5 lb	2040	\$ 345.90
1260-75kg	75 kg	150 lb	5 lb	2041	345.90
1260-100kg	100 kg	200 lb	5 lb	2042	345.90
1260-150kg	150 kg	300 lb	5 lb	573	345.90
1260-200kg	200 kg	400 lb	5 lb	2043	345.90
1260-250kg	250 kg	500 lb	5 lb	2044	345.90
1260-300kg	300 kg	600 lb	5 lb	2045	345.90
1260-500kg	500 kg	1,000 lb	5 lb	2046	345.90
1260-635kg	635 kg	1,400 lb	5 lb	2356	345.90

Dimensions in inches

Capacity	A	B	C	D	E	F	G	H	I	J
50kg-500kg	7.40	2.49	2.45	1.38	1.38	4.21	0.22	1.20	2.04	5/16-18

1260 Tedeia metric

Slightly smaller than the Model 1250. This model is specially potted for use in high moisture scales.

2 mv/v, 415/350 ohms, 3m 6 wire cable, anodized aluminum, IP67.

NTEP Legal for Trade 96-064

Part Number	Capacity	Nominal	Weight	Stock	List
1260M-300kg metric	300 kg	600 lb	5 lb	465	\$ 339.63

Dimensions in inches

Capacity	A	B	C	D	E	F	G	H	I	J
50kg-500kg	7.40	2.49	2.45	1.38	1.38	4.21	0.22	1.20	2.04	M8

Single Point

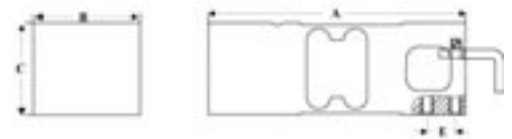
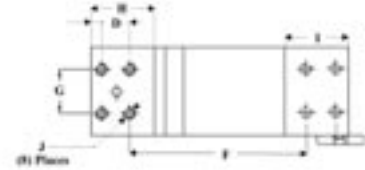
1263 Tedeas

2 mv/v, 415/350 ohms, 1.5m 4 wire cable, aluminum, IP66.

Part Number	Capacity	Weight	Stock	List
1263-50	50 kg	6 lb	5239	\$ 242.44
1263-100	100 kg	6 lb	5240	242.44
1263-150	150 kg	6 lb	5241	242.44
1263-200	200 kg	6 lb	5242	242.44
1263-250	250 kg	6 lb	5884	242.44
1263-300	300 kg	6 lb	5888	242.44
1263-500	500 kg	6 lb	5918	242.44
1263-635	635 kg	6 lb	6005	242.44



1263



Dimensions in inches

Capacity	A	B	C	D	E	F	G	H	I	J
50kg-635kg	6.85	2.36	2.46	0.75	0.75	4.80	1.18	1.69	1.69	M8-6H

1320 Tedeas

High capacity off-center load cells are made for platform sizes up to 48" x 48". These cells have a unique humidity resistant protective coating assures long term stability even under harsh environment and extreme temperatures.

2 mv/v, 415/350 ohms, 6m 6 wire cable, anodized aluminum, IP65.

NTEP Legal for Trade 94-115

Part Number	Capacity	Nominal	Weight	Stock	List
1320-1000	1,000 kg	2,200 lb	8 lb	2323	\$ 624.49
1320-1500	1,500 kg	3,300 lb	8 lb	2324	624.49
1320-2000	2,000 kg	4,400 lb	9 lb	2325	624.49

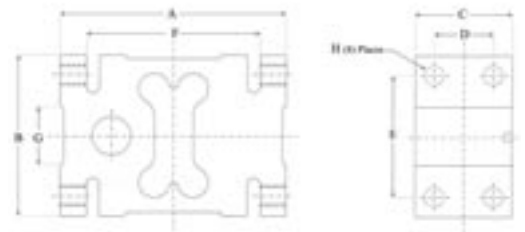


1320



Dimensions in inches

Capacity	A	B	C	D	E	F	G	H
1K-2K	6.93	4.96	2.99	1.81	3.74	5.31	1.77	M16



Prices are subject to change without notice. Please call for current prices.

Other items are available from the manufacturers, please call for quote.

13-01 Pollitt Dr Ext
Fair Lawn NJ 07410
201-797-2718

Totalcomp
Components

www.totalcomp.com
sales@totalcomp.com
Fax 201-797-2287

Single Point



1004

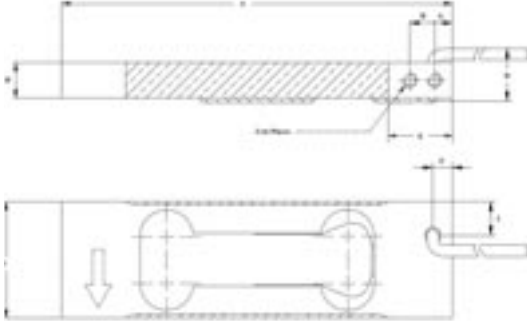


1004 Tedeo

30,000 div OIML. M3 thread mounting holes
0.9mv/v, 415/350 ohms. 4m .4 wire. cable, aluminum, IP66.

Part Number	Capacity	Nominal	Weight	Stock	List
1004-0.3kg-C3-C1	0.3 kg	0.60 lb	1 lb	377	\$ 82.56
1004-0.6kg-C3-C1	0.6 kg	0.12 lb	1 lb	378	82.56
1004-1.2kg-C3-C1	1.2 kg	2.40 lb	1 lb	379	82.56
1004-1.5kg-C3-C1	1.5 kg	2.10 lb	1 lb	380	82.56
1004-3kg-C3-C1	3 kg	6.00 lb	5 lb	381	82.56

Dimensions in inches



Capacity	A	B	C	D	E	F	G	H	I	J
0.3kg-3kg	4.33	0.39	1.30	0.59	0.71	0.21	0.19	0.27	3.13	M3-6H

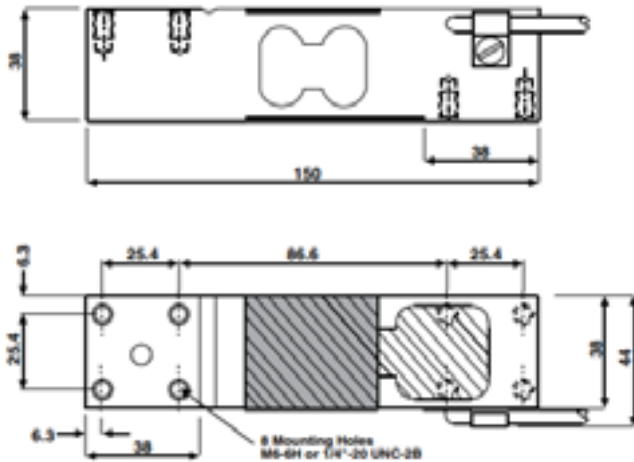


1242

1242 Tedeo

2 mv/v, 415/351 ohms. 1.5m .6 wire. cable, aluminum, IP66.

Part Number	Capacity	Nominal	Weight	Stock	List
1242-50kg-C3	50 kg	100 lb	1.48 lb	636	\$ 164.57
1242-100kg-C3	100 kg	200 lb	1.48 lb	637	268.88
1242-200kg-C3	200 kg	400 lb	1.48 lb	638	406.65
1242-250kg-C3	250 kg	500 lb	1.48 lb	639	406.65



Prices are subject to change without notice. Please call for current prices.

Other items are available from the manufacturers, please call for quote.

Single Point

1510 Tedeá

Hermetically sealed with all welded construction. M8 thread mounting holes
 2 mv/v +/-10%, 380/350 ohms, 1m 6 wire cable, **stainless steel**, IP68.

Part Number	Capacity	Nominal	Weight	Stock	List
1510-C3-100kg	100 kg	200 lb	5 lb	785	\$ 829.73
1510-C3-250kg	250 kg	500 lb	5 lb	786	829.73
1510-C3-500kg	500 kg	1,000 lb	5 lb	787	829.73

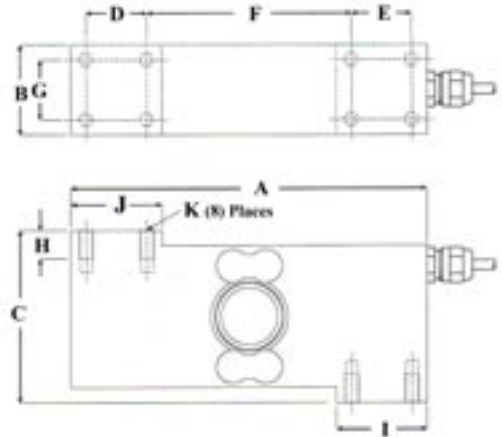


1510

Single point

Dimensions in inches

Capacity	A	B	C	D	E	F	G	H	I	J	K
100kg-500kg	5.90	1.50	2.87	1.00	1.00	3.40	1.00	0.47	1.50	1.50	M8 x 1.25



Prices are subject to change without notice. Please call for current prices.

Other items are available from the manufacturers, please call for quote.

13-01 Pollitt Dr Ext
 Fair Lawn NJ 07410
 201-797-2718

Totalcomp
 Components

www.totalcomp.com
 sales@totalcomp.com
 Fax 201-797-2287

Single Point



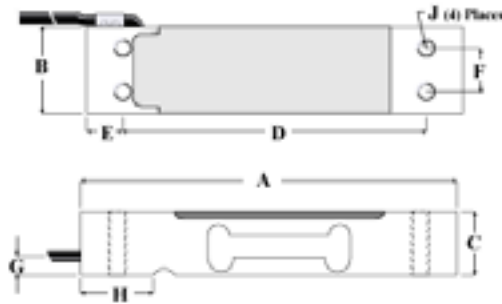
GS1022

GS1022 General Sensor

Interchangeable with Tedeia 1022, HBM PW6, NMB C2G1, Scaime EP, General Sensor GC2G1. M6 thread mounting holes on all capacities.
2 mv/v +/-10%, 0.02% total error, 415/350 ohms, 10 ft 4 wire cable, anodized aluminum.

Part Number	Capacity	Nominal	Weight	Stock	List
GS1022S -3kg *	3 kg	6 lb	1 lb	4958	\$ 119.00
GS1022-3kg	3 kg	6 lb	1 lb	4921	119.00
GS1022-10kg	10 kg	20 lb	1 lb	4959	119.00
GS1022-15kg	15 kg	30 lb	1 lb	4960	119.00
GS1022-30kg	30 kg	60 lb	1 lb	4961	119.00

* Smaller envelope



Dimensions in inches

Capacity	A	B	C	D	E	F	G	H	J
3kg *	2.76	0.59	0.86	2.28	0.24	0.28	0.25	0.50	M3
3kg-30kg	5.11	1.18	0.86	4.17	0.47	0.59	0.22	0.98	M6

Single point

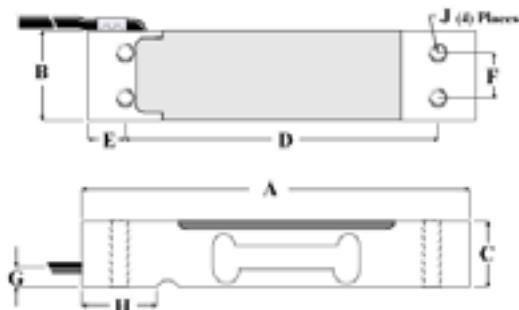


GS1022-SS

GS1022-SS General Sensor

Interchangeable with NMB C2G1, Scaime EP, General Sensor GC2G1 and Toledo 0765.
M6 thread mounting holes on all capacities.
2 mv/v +/-10%, 415/350 ohms, 10 ft 4 wire cable, **stainless steel**.
NTEP Legal for Trade 96-122 .

Part Number	Capacity	Nominal	Weight	Stock	List
GS1022-3kg-SS	3 kg	6 lb	2 lb	8216	\$ 185.00
GS1022-5kg-SS	5 kg	10 lb	2 lb	8217	185.00
GS1022-10kg-SS	10 kg	20 lb	2 lb	8218	185.00
GS1022-15kg-SS	15 kg	30 lb	2 lb	8219	185.00
GS1022-20kg-SS	20 kg	40 lb	2 lb	8220	185.00
GS1022-35kg-SS	35 kg	70 lb	2 lb	8221	185.00
GS1022-50kg-SS	50 kg	100 lb	2 lb	8222	185.00



Dimensions in inches

Capacity	A	B	C	D	E	F	G	H	J
3kg-7kg	5.11	1.00	0.86	4.17	0.47	0.59	0.22	0.98	M6
10kg-30kg	5.11	1.18	0.86	4.17	0.47	0.59	0.22	0.98	M6
35kg-50kg	5.11	1.57	0.86	4.17	0.47	0.59	0.22	0.98	M6

Prices are subject to change without notice. Please call for current prices.

Other items are available from the manufacturers, please call for quote.

Single Point

GS1042 General Sensor

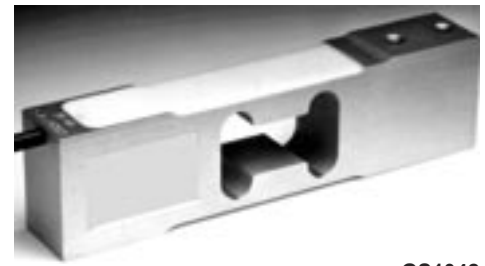
Interchangeable with Toledo model 774. Replacement for Tedeo Model 1040. Mounting screws are 1/4-20 UNC(coarse) with 3/4" spacing on both top and bottom. These cells have a unique humidity resistant protective coating assures long term stability even under harsh environment and extreme temperatures.

2 mv/v, 9 ft 6 wire cable, 415/350 ohm, anodized aluminum.

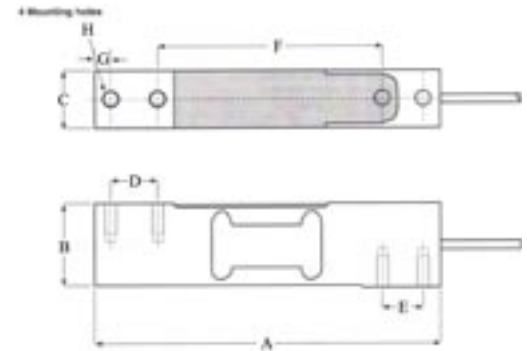
Part Number	Capacity	Nominal	Weight	Stock	List
GS1042-1kg	1 kg	2 lb	2 lb	6396	\$ 145.95
GS1042-3kg	3 kg	6 lb	2 lb	6390	145.95
GS1042-5kg	5 kg	10 lb	2 lb	6397	145.95
GS1042-7kg	7 kg	15 lb	2 lb	6391	145.95
GS1042-10kg	10 kg	20 lb	2 lb	6398	145.95
GS1042-15kg	15 kg	30 lb	2 lb	6399	145.95
GS1042-20kg	20 kg	40 lb	2 lb	6400	145.95
GS1042-50kg	50 kg	100 lb	2 lb	6401	145.95
GS1042-100kg	100 kg	200 lb	2 lb	6402	145.95

Dimensions in inches

Capacity	A	B	C	D	E	F	G	H
1kg-20kg	5.90	1.57	0.79	0.75	0.75	3.94	0.25	1/4-20 UNC
50kg-1000kg	5.90	1.57	1.00	0.75	0.75	3.94	0.25	1/4-20 UNC



GS1042



Single point

GS1042-SS General Sensor

Replacement for Tedeo Model 1142, TP40-SS and Toledo 774. Mounting screws are 1/4-20 UNC (coarse) with 3/4" spacing on both top and bottom. These cells have a unique humidity resistant protective coating assures long term stability even under harsh environment and extreme temperatures.

2 mv/v, 9 ft 6 wire cable, 415/350 ohm, stainless steel. IP67.

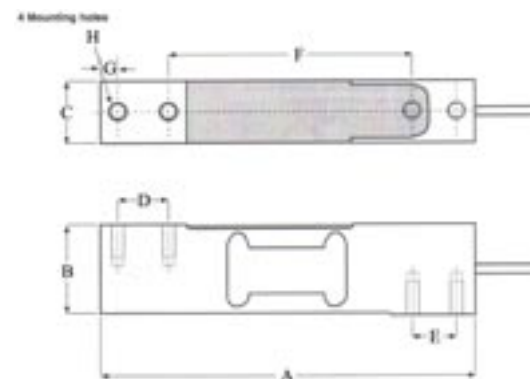
Part Number	Capacity	Nominal	Weight	Stock	List
GS1042-10kg-SS	10 kg	20 lb	3 lb	6407	\$ 315.00
GS1042-15kg-SS	15 kg	30 lb	3 lb	6403	315.00
GS1042-20kg-SS	20 kg	40 lb	3 lb	6408	315.00
GS1042-30kg-SS	30 kg	60 lb	3 lb	6409	315.00
GS1042-50kg-SS	50 kg	100 lb	3 lb	6404	315.00
GS1042-75kg-SS	75 kg	150 lb	3 lb	6405	315.00
GS1042-100kg-SS	100 kg	200 lb	3 lb	6406	315.00
GS1042-150kg-SS	150 kg	300 lb	3 lb	6410	315.00

Dimensions in inches

Capacity	A	B	C	D	E	F	G	H
1kg-30kg	5.90	1.57	0.79	0.75	0.75	3.94	0.25	1/4-20 UNC
50kg-250kg	5.90	1.57	1.00	0.75	0.75	3.94	0.25	1/4-20 UNC



GS1042-SS



Prices are subject to change without notice. Please call for current prices.

Other items are available from the manufacturers, please call for quote.

13-01 Pollitt Dr Ext
Fair Lawn NJ 07410
201-797-2718

Totalcomp
Components

www.totalcomp.com
sales@totalcomp.com
Fax 201-797-2287

Single Point



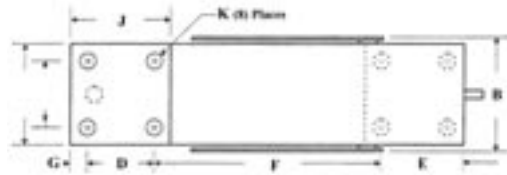
GS1240-SS

GS1240-SS General Sensor

Interchange for LOCOSC 7160 load cell. Stainless steel, 1/4-20 UNC mounting holes. 2 mv/v, 380/350 ohms, 1.5 m 6 wire cable, **stainless steel**, IP67.

Part Number	Capacity	Weight	Stock	List
GS1240-50kg-SS	50 kg	3 lb	6916	\$ 295.00
GS1240-100kg-SS	100 kg	3 lb	6917	295.00
GS1240-150kg-SS	150 kg	3 lb	6897	295.00
GS1240-200kg-SS	200 kg	3 lb	6918	295.00
GS1240-250kg-SS	250 kg	3 lb	6919	295.00

Single point



Dimensions in inches

Capacity	A	B	C	D	E	F	G	H	I	J	K
50kg-250kg	5.91	1.71	1.57	1.00	1.00	3.41	0.25	1.50	1.00	1.50	1/4-20 UNC

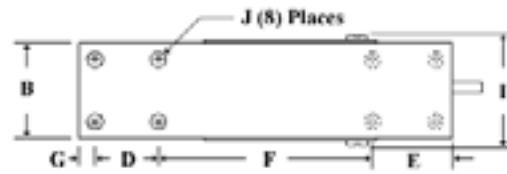


GS1241

GS1241 General Sensor

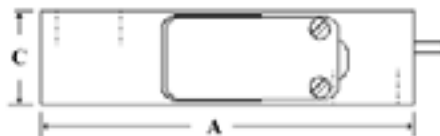
Interchangeable with Toledo MT1241. 1/4-20UNC thread mounting holes. 2 mv/v, 415/350 ohms, 1m 6 wire cable, anodized aluminum.

Part Number	Capacity	Nominal	Weight	Stock	List
GS1241-50kg	50 kg	100 lb	2 lb	7007	\$ 269.00
GS1241-100kg	100 kg	200 lb	2 lb	7008	269.00
GS1241-150kg	150 kg	300 lb	2 lb	7009	269.00
GS1241-200kg	200 kg	400 lb	2 lb	7010	269.00
GS1241-250kg	250 kg	500 lb	2 lb	7011	269.00



Dimensions in inches

Capacity	A	B	C	D	E	F	G	J
50kg-250kg	5.91	1.50	1.50	1.00	1.00	3.41	0.25	1/4-20 UNC



Single Point

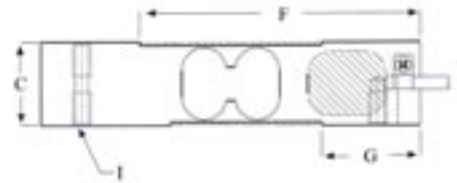
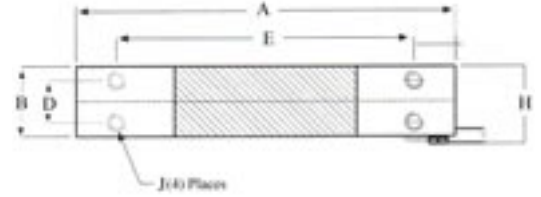
GS1130 General Sensor

Replacement for the Weigh-Tronix MK29.
2 mv/v, 383/350 ohms, 10 ft 6 wire cable, **stainless steel**. IP67.

Part Number	Capacity	Nominal	Weight	Stock	List
GS1130-7kg-SS	7 kg	17 lb	2 lb	8100	\$ 262.50
GS1130-10kg-SS	10 kg	20 lb	2 lb	8101	262.50
GS1130-15kg-SS	15 kg	30 lb	2 lb	8102	262.50
GS1130-20kg-SS	20 kg	40 lb	2 lb	8103	262.50
GS1130-30kg-SS	30 kg	60 lb	2 lb	8104	262.50
GS1130-50kg-SS	50 kg	100 lb	2 lb	8105	262.50
GS1130-75kg-SS	75 kg	150 lb	2 lb	8106	262.50
GS1130-100kg-SS	100 kg	200 lb	2 lb	8107	262.50



GS1130



Dimensions in inches

Capacity	A	B	C	D	E	F	G	H	I	J
7-100kg	5.31	0.98	1.18	0.59	4.17	3.94	1.37	1.09	1/4-20 UNF	1/4-20 UNF

Single point

Prices are subject to change without notice. Please call for current prices.

Other items are available from the manufacturers, please call for quote.

13-01 Pollitt Dr Ext
Fair Lawn NJ 07410
201-797-2718

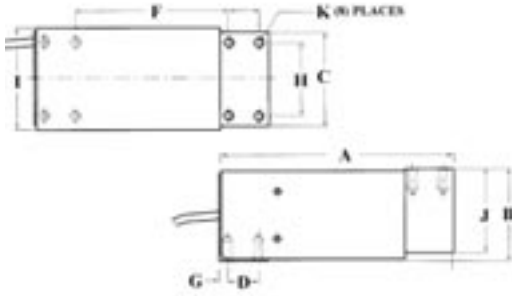
Totalcomp
Components

www.totalcomp.com
sales@totalcomp.com
Fax 201-797-2287

Single Point



GS1250



GS1250 General Sensor

Interchangeable with Tedeia Model 1250.

2 mv/v, 410/350 ohms, 10 ft 4 wire cable, anodized aluminum, IP67.

Part Number	Capacity	Nominal	Weight	Stock	List
GS1250-50kg	50 kg	100 lb	6 lb	3789	\$ 203.50
GS1250-75kg	75 kg	150 lb	6 lb	3790	203.50
GS1250-100kg	100 kg	200 lb	6 lb	3791	203.50
GS1250-150kg	150 kg	300 lb	6 lb	3792	203.50
GS1250-200kg	200 kg	400 lb	6 lb	3793	203.50
GS1250-250kg	250 kg	500 lb	6 lb	2031	203.50
GS1250-300kg	300 kg	600 lb	6 lb	3794	203.50
GS1250-500kg	500 kg	1,000 lb	6 lb	3795	203.50
GS1250-1000kg	1,000 kg	2,200 lb	7 lb	3797	203.50

Dimensions in inches

Capacity	A	B	C	D	E	F	G	H	I	J	K
50-2000	7.52	2.97	3.00	0.98	0.98	4.92	0.25	2.36	3.20	2.67	5/16-18 UNC

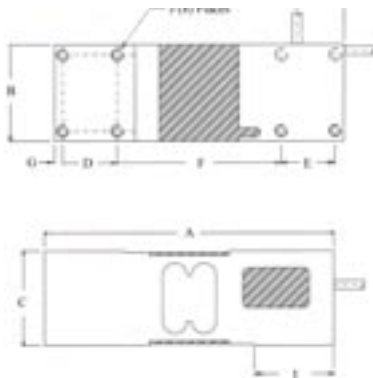
GS1260 General Sensor

Interchangeable with Tedeia 1260. Slightly smaller than the Model 1250.

2 mv/v, 415/350 ohms, 3m 6 wire cable, anodized aluminum, IP66.



GS1260



Dimensions in inches

Capacity	A	B	C	D	E	F	G	H	I	J
100kg-250kg	7.40	2.49	2.45	1.38	1.38	4.21	0.22	1.20	2.04	5/16-18

Single Point

GC2G1 General Sensor

Interchangeable with BLH C2G1, Scaime EP, NMB CB17 used in Eaton/Consolidated Control bases and Fairbanks 4900 Series scales. M3 thread mounting hole 1kg to 3kg. M6 thread mounting hole 6kg to 35kg.
1 mv/v +/-10%(1 to 3kg), 2 mv/v +/-10%(6 to 35kg), 0.015% nonlinearity, 420/350 ohms, 400mm 4 wire cable, anodized aluminum, IP67.

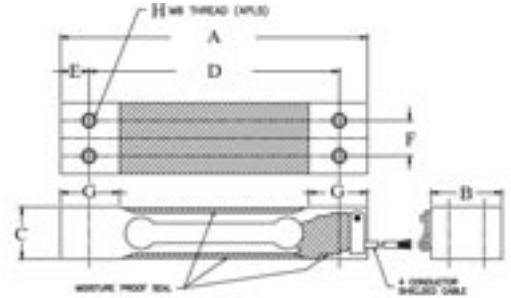
Part Number	Capacity	Nominal	Weight	Stock	List
GC2G1-1kg	1 kg	2 lb	1 lb	4140	\$ 136.00
GC2G1-2kg	2 kg	4 lb	1 lb	4141	136.00
GC2G1-3kg	3 kg	6 lb	1 lb	4142	136.00
GC2G1-6kg	6 kg	12 lb	1 lb	4143	136.00
GC2G1-10kg	10 kg	20 lb	1 lb	4144	136.00
GC2G1-15kg	15 kg	30 lb	1 lb	4145	136.00
GC2G1-20kg	20 kg	40 lb	1 lb	4146	136.00
GC2G1-30kg	30 kg	60 lb	1 lb	4147	216.00
GC2G1-35kg	35 kg	70 lb	1 lb	4148	216.00

Dimensions in inches

Capacity	A	B	C	D	E	F	G	H
1-3kg	2.76	0.59	0.86	2.28	0.24	0.28	1.96	M3
6-20kg	10.23	1.18	0.86	8.34	0.94	1.18	1.96	M6
25-35kg	10.23	1.57	0.86	8.34	0.94	1.18	1.96	M6



GC2G1



Single point

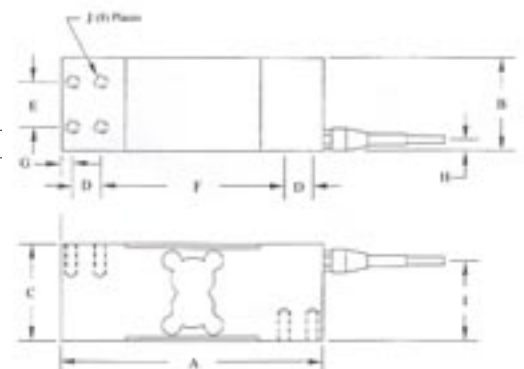
GC2L1 General Sensor

Interchangeable with NMB C2L1 M8 thread mounting holes.
2 mv/v +/-10%, 390/350 ohms, 20 ft 4 wire cable, anodized aluminum, IP67.

Part Number	Capacity	Nominal	Weight	Stock	List
GC2L1-60kg	60 kg	120 lb	5 lb	4149	\$ 416.00
GC2L1-100kg	100 kg	200 lb	5 lb	4150	416.00
GC2L1-150kg	150 kg	300 lb	5 lb	4151	416.00
GC2L1-250kg	250 kg	500 lb	5 lb	4152	416.00
GC2L1-300kg	300 kg	600 lb	5 lb	4153	416.00
GC2L1-500kg	500 kg	1,000 lb	5 lb	4154	416.00



GC2L1



Dimensions in inches

Capacity	A	B	C	D	E	F	G	H	I	J
60-500kg	6.86	2.36	2.56	0.75	1.18	4.80	0.28	0.31	1.81	M8

Prices are subject to change without notice. Please call for current prices.

Other items are available from the manufacturers, please call for quote.

13-01 Pollitt Dr Ext
Fair Lawn NJ 07410
201-797-2718

Totalcomp
Components

www.totalcomp.com
sales@totalcomp.com
Fax 201-797-2287

Single Point



GS-FLS

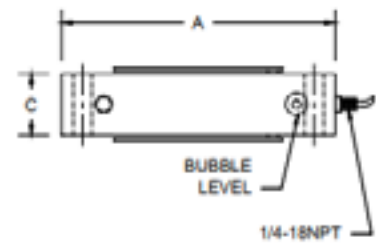
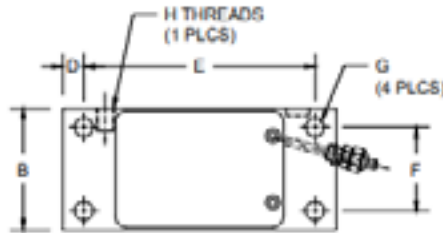
GS-FLS General Sensor

Interchangeable with Weigh-Tronix FLS single point load cell. (4) mounting holes 0.453" dia. 2" vertical spacing. 5.5" horizontal spacing, center to center. Over 250 lb has larger envelope 8" x 3.75" with hole spacing 7" x 2.75". Overall 6.5" x 2.9" high. 1 mv/v, 380/350 ohms, 10 ft 4 wire cable, **stainless steel**, IP67

Part Number	Weigh-Tronix	Capacity	Weight	Stock	List
GS-FLS-30		30 lb	4 lb	4618	\$ 635.25
GS-FLS-50		50 lb	4 lb	4619	635.25
GS-FLS-125	49098-0075	125 lb	7 lb	4620	635.25
GS-FLS-250	49098-0042	250 lb	7 lb	4621	635.25
GS-FLS-625	49100-0022	625 lb	9 lb	4622	866.25

Dimensions in inches

RATED CAPACITY	DIMENSIONS							
	A	B	C	D	E	F	G	H
50lb	6.50	2.90	0.74	0.50	5.50	2.00	0.45	5/16-18UNCx0.50dp
125-250lb	6.50	2.90	1.46	0.50	5.50	2.00	0.45	5/16-18UNCx0.50dp
625lb	8.00	3.75	1.91	0.50	7.00	2.75	0.52	



Single point



GPWS

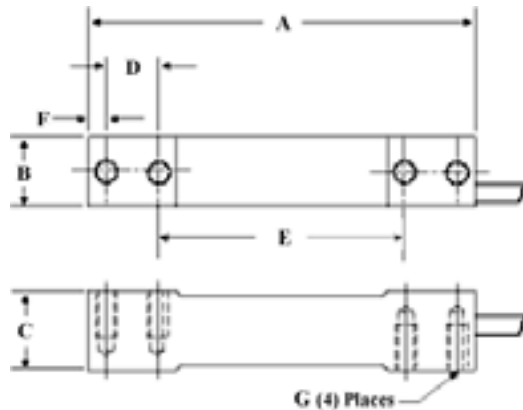
GPWS General Sensor

Moisture proof, low profile, resistant to shock loading. Interchangeable with PWS - HBM. 2 mv/v, 350/350 ohms, 10 ft 4 wire cable, **stainless steel**. IP67.

Part Number	Capacity	Nominal	Weight	Stock	List
GPWS-7-05500	7 kg	15 lb	2 lb	4933	\$ 282.98
GPWS-10-05500	10 kg	22 lb	2 lb	4934	282.98
GPWS-15-05500	15 kg	33 lb	2 lb	4936	282.98
GPWS-30-05500	30 kg	66 lb	2 lb	4937	282.98
GPWS-60-05500	60 kg	130 lb	2 lb	4939	282.98
GPWS-100-05500	100 kg	220 lb	3 lb	4941	282.98
GPWS-150-05500	150 kg	330 lb	3 lb	4942	282.98

Dimensions in inches

Capacity	A	B	C	D	E	F	G
7kg-15kg	5.50	0.75	1.19	0.75	3.50	0.25	1/4-20 UNC
30kg-60kg	5.50	0.94	1.19	0.75	3.50	0.25	1/4-20 UNC
100-150kg	5.50	1.21	1.19	0.88	3.12	0.31	3/8-16 UNC



Prices are subject to change without notice. Please call for current prices.

Other items are available from the manufacturers, please call for quote.

Single Point

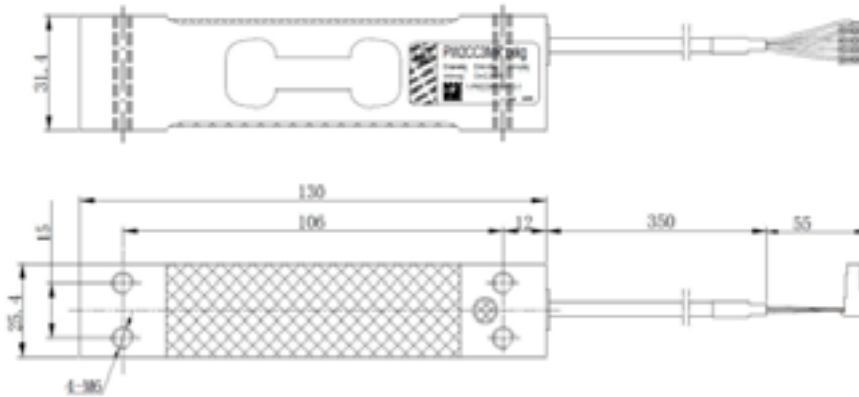
PW2C HBM

2 mv/v, 300-500/300-500 ohms, 0.35m 4 wire. cable, aluminum, IP67.

Part Number	Capacity	Nominal	Weight	Stock	List
1-PW2CRM/7.2KG-1	7.2 kg	15 lb	0.55 lb	2716	\$ 466.00
1-PW2CRM/12KG-1	12 kg	24 lb	0.55 lb	2717	466.00
1-PW2CRM/18KG-1	18 kg	36 lb	0.55 lb	2718	466.00
1-PW2CRM/36KG-1	36 kg	72 lb	0.55 lb	2719	466.00
1-PW2CRM/72KG-1	72 kg	142 lb	0.55 lb	2720	466.00



PW2C
Single point



PW2D HBM

2 mv/v, 300-500/300-500 ohms, 0.35m 4 wire. cable, aluminum, IP67.

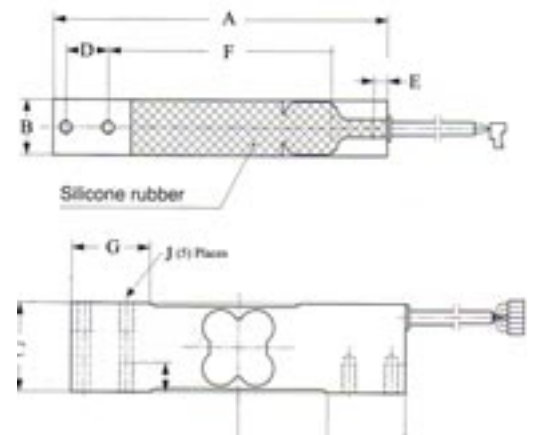
Part Number	Capacity	Weight	Stock	List
1-PW2DC3/7.2KG-1	7.2 kg	1 lb	861	\$ 408.00
1-PW2DC3/12KG-1	12 kg	1 lb	862	408.00
1-PW2DC3/18KG-1	18 kg	1 lb	863	408.00
1-PW2DC3/36KG-1	36 kg	1 lb	864	408.00
1-PW2DC3/72KG-1	72 kg	1 lb	865	408.00



PW2D
Single point

Dimensions in inches

Capacity	A	B	C	D	E	F	G	H	I
7.2-72 kg	5.12	0.47	1.24	4.17	0.47	0.59	13.78	4 x M6	2.16



PW2D-MR HBM Multi Range

2 mv/v, 300-500/300-500 ohms, 0.35m 6 wire. cable, aluminum, IP67.

Part Number	Capacity	Weight	Stock	List
K-PW2D-MR-7.2-N-6 0.35-N-N	7.2 kg	0.55 lb	2973	\$ 522.00
K-PW2D-MR-12-N-6 0.35-N-N	12 kg	0.55 lb	2974	522.00
K-PW2D-MR-18-N-6 0.35-N-N	18 kg	0.55 lb	2975	522.00
K-PW2D-MR-36-N-6 0.35-N-N	36 kg	0.55 lb	2976	522.00
K-PW2D-MR-72-N-6 0.35-N-N	72 kg	0.55 lb	2977	522.00

Prices are subject to change without notice. Please call for current prices.

Other items are available from the manufacturers, please call for quote.

13-01 Pollitt Dr Ext
Fair Lawn NJ 07410
201-797-2718

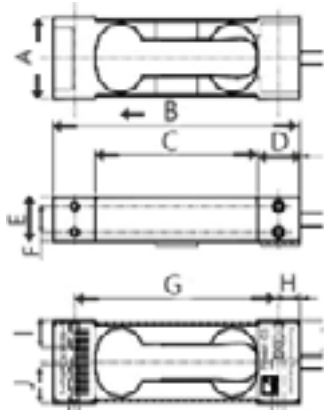
Totalcomp
Components

www.totalcomp.com
sales@totalcomp.com
Fax 201-797-2287

Single Point



PW4C3



PW4 HBM

For determining small masses, Aluminum, Off center load compensated, shielded connection cable.

2 mv/v, 300/300 to 500/500 ohm, 1.5 ft 4 wire cable, anodized aluminum, IP65.

Part Number	Capacity	Nominal	Weight	Stock	List
1-PW4C3/300g	300 g	0.6 lb	1 lb	292	\$543.00
1-PW4C3/500g	500 g	1 lb	1 lb	293	543.00
1-PW4C3/2kg	2 kg	4 lb	1 lb	294	543.00
1-PW4C3/3kg	3 kg	6 lb	1 lb	295	543.00

Dimensions(in mm; 1 mm= 0.03937)

Capacity	A	B	C	D	E	F	G	H	I	J
0.3g-3kg	22	70	46	12	12	7	58	6	7	10

PW6 HBM

Interchangeable with Tedeo 1022. M6 thread mounting holes on all capacities.

2 mv/v, 420/350 ohms, 1 ft 4 wire cable, anodized aluminum, IP67.

NTEP Legal for Trade 02-094

Part Number	Capacity	Nominal	Weight	Stock	List
1-PW6DC3/3KG-1 *	3 kg	6 lb	1 lb	6460	\$ 248.00
1-PW6DC3/5KG-1	5 kg	10 lb	1 lb	6461	248.00
1-PW6DC3/10KG-1	10 kg	20 lb	1 lb	6462	248.00
1-PW6DC3/15KG-1	15 kg	30 lb	1 lb	6463	248.00
1-PW6DC3/20KG-1	20 kg	40 lb	1 lb	6464	248.00
1-PW6DC3/30KG-1	30 kg	60 lb	1 lb	6465	248.00
1-PW6DC3/40KG-1	40 kg	150 lb	1 lb	6660	248.00

* Not NTEP

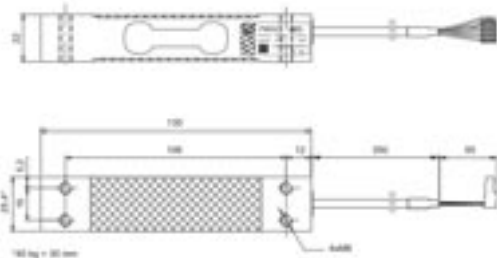
Dimensions in inches

Capacity	A	B	C	D	E	F	G
3kg-100kg	5.12	1.00	0.86	4.17	0.47	0.59	M6

PW6
Interchanges 1022



PW6-MR
Interchanges 1022



PW6 HBM Multi Range

Interchangeable with Tedeo 1022. M6 thread mounting holes on all capacities.

2 mv/v, 420/350 ohms, 1 ft 4 wire cable, anodized aluminum, IP67.

OIML Legal for Trade

Part Number	Capacity	Nominal	Weight	Stock	List
1-PW6CMR/1.5KG-1	1.5 kg	3 lb	0.53 lb	5364	\$ 375.00
1-PW6CMR/3KG-1	3 kg	6 lb	0.53 lb	5365	283.00
1-PW6CMR/5KG-1	5 kg	10 lb	0.53 lb	5366	283.00
1-PW6CMR/10KG-1	10 kg	20 lb	0.53 lb	5367	283.00
1-PW6CMR/15KG-1	15 kg	30 lb	0.53 lb	5368	283.00
1-PW6CMR/20KG-1	20 kg	40 lb	0.53 lb	5369	283.00
1-PW6CMR/30KG-1	30 kg	60 lb	0.53 lb	5370	283.00
1-PW6CMR/40KG-1	40 kg	80 lb	0.53 lb	5371	283.00

Prices are subject to change without notice. Please call for current prices.

Other items are available from the manufacturers, please call for quote.

Single Point

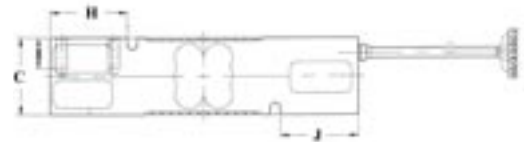
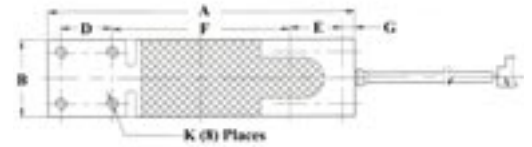
PW10 HBM

Interchangeable with Tedeia 1241. Except for M6 thread mounting holes
2 mv/v, 0.02% total error, 420/350 ohms, 5 ft 6 wire cable, anodized aluminum, IP67

Part Number	Capacity	Nominal	Weight	Stock	List
1-PW10AC3/50KG-1	50 kg	100 lb	2 lb	6438	\$ 560.00
1-PW10AC3/100KG-1	100 kg	200 lb	2 lb	6441	560.00
1-PW10AC3/150KG-1	150 kg	300 lb	2 lb	6442	560.00
1-PW10AC3/200KG-1	200 kg	400 lb	2 lb	6443	562.00
1-PW10AC3/250KG-1	250 kg	500 lb	2 lb	6444	562.00



PW10
Interchanges 1241



Dimensions in inches

Capacity	A	B	C	D	E	F	G	H	I	J	K
100-250kg	5.90	1.50	1.50	1.00	1.00	3.41	0.25	1.50	0.47	1.50	M6

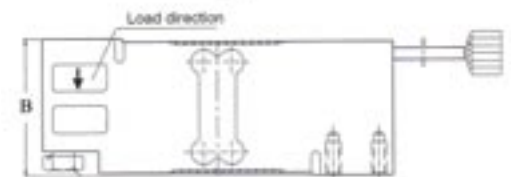
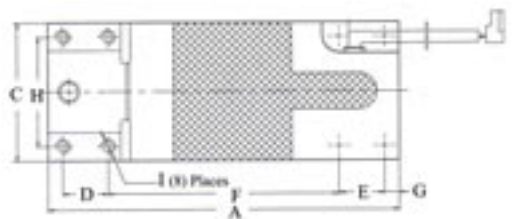
PW12 HBM

Interchangeable with Tedeia 1250.
2 mv/v, 420/350 ohms, 9 ft 6 wire cable, anodized aluminum, IP67.
NTEP Legal for Trade 99-106

Part Number	Capacity	Nominal	Weight	Stock	List
UNC Thread					
1-PW12CC3/75KGU-1	75 kg	150 lb	7 lb	6469	\$ 884.00
1-PW12CC3/200KGU-1	200 kg	400 lb	7 lb	6472	884.00
1-PW12CC3/250KGU-1	250 kg	500 lb	7 lb	6473	884.00
Metric Thread					
1-PW12CC3/100KG-1	100 kg	200 lb	7 lb	6470	884.00
1-PW12CC3/150KG-1	150 kg	300 lb	7 lb	6471	884.00
1-PW12CC3/300KG-1	300 kg	600 lb	7 lb	6474	854.00
1-PW12CC3/500KG-1	500 kg	1,000 lb	7 lb	6475	854.00
1-PW12CC3/635KG-1	635 kg	1,270 lb	7 lb	6476	854.00
Multi Range, metric thread					
K-PW12C-N-MR-150-N-3-N-10-N	150 kg	300 lb	7 lb	6439	861.00



PW12
Interchanges 1250



Dimensions in inches (Metric Thread)

Capacity	A	B	C	D	E	F	G	H	I
50kg-1000kg	7.52	2.95	3.00	0.98	0.98	4.92	0.31	2.36	M8

Dimensions in inches (UNC Thread)

Capacity	A	B	C	D	E	F	G	H	I
50kg-1000kg	7.52	2.95	3.00	0.98	0.98	4.92	0.31	2.36	5/16 -18 UNC

Prices are subject to change without notice. Please call for current prices.

Other items are available from the manufacturers, please call for quote.

13-01 Pollitt Dr Ext
Fair Lawn NJ 07410
201-797-2718

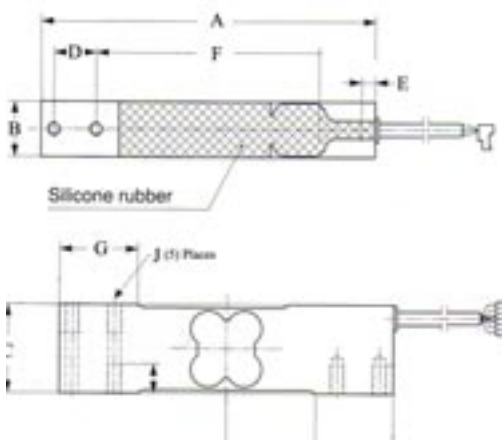
Totalcomp
Components

www.totalcomp.com
sales@totalcomp.com
Fax 201-797-2287

Single Point



PW15B



PW15B HBM

Interchangeable with Tedeo Model 1140. Mounting screws are 1/4-20 UNC(coarse) with 3/4" spacing on both top and bottom. Used in hostile, corrosive and high shock environments.

2 mv/v, 350/350 ohm, 10 ft 6 wire cable, **stainless steel**, IP67.

Part Number	Capacity	Nominal	Weight	Stock	List
1-PW15BC3/10KG-1	10 kg	20 lb	2.64 lb	8401	\$ 422.00
1-PW15BC3/15KGU-1	15 kg	30 lb	2.64 lb	8402	431.00
1-PW15BC3/20KGU-1	20 kg	40 lb	2.64 lb	8403	422.00
1-PW15BC3/30KGU-1	30 kg	60 lb	2.64 lb	8404	422.00
1-PW15BC3/50KGU-1	50 kg	100 lb	2.64 lb	8405	422.00
1-PW15BC3/75KGU-1	75 kg	150 lb	2.64 lb	8406	431.00
1-PW15BC3/100KGU-1	100 kg	200 lb	2.64 lb	8407	367.00
1-PW15BC3/150KGU-1	150 kg	300 lb	2.64 lb	8408	431.00

Dimensions in inches

Capacity	A	B	C	D	E	F	G	H	I	J
10kg-150kg	5.90	0.79	1.00	0.75	0.75	3.94	0.25	2.95	1.37	1/4-20 UNC

Single point



PW15AH



PW15AH HBM

Interchangeable with Tedeo Model 1140. Hermetically sealed stainless steel. Used in hostile, corrosive and high shock environments.

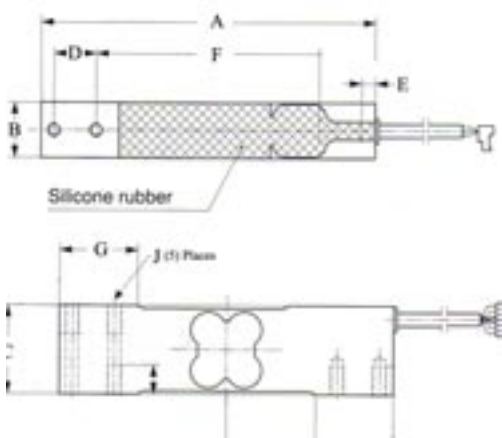
2 mv/v, 350/350 ohm, 3m 6 wire cable, **stainless steel**, IP68/IP69K.

NTEP Legal for Trade 09-013

Part Number	Capacity	Nominal	Weight	Stock	List
1-PW15AHC3/10KG-1	10 kg	20 lb	2.64 lb	7718	\$ 1,574.00
1-PW15AHC3/20KG1	20 kg	40 lb	2.64 lb	7719	1,574.00
1-PW15AHC3/50KG-1	50 kg	100 lb	2.64 lb	7720	1,574.00
1-PW15AHC3/100KG-1	100 kg	200 lb	2.64 lb	7721	1,574.00

Dimensions in inches

Capacity	A	B	C	D	E	F	G	H	I	J
10kg-100kg	5.90	0.79	1.00	0.75	0.75	3.94	0.25	2.95	1.37	M6



Prices are subject to change without notice. Please call for current prices.

Other items are available from the manufacturers, please call for quote.

Single Point

PW15PH HBM

Interchangeable with Tedea Model 1140. Hermetically sealed stainless steel. Used in hostile, corrosive and high shock environments.
 2 mv/v, 350/350 ohm, conector plug, **stainless steel**, IP68/IP69K.
 NTEP Legal for Trade 09-013

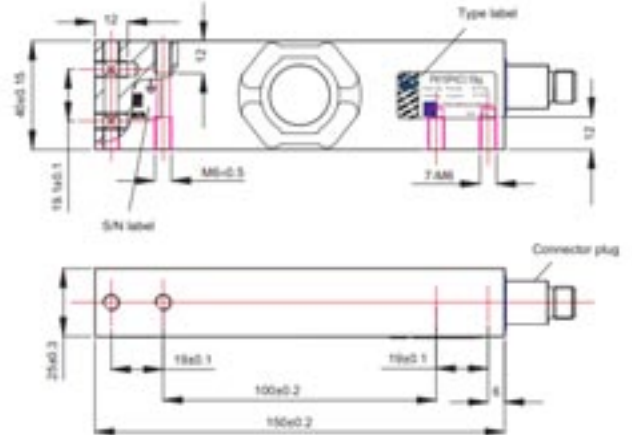


PW15PH



Part Number	Capacity	Nominal	Weight	Stock	List
1-PW15PHC3/10KG-1	10 kg	20 lb	2.43 lb	7133	\$ 1,799.00
1-PW15PHC3/20KG1	20 kg	40 lb	2.43 lb	7134	1,799.00
1-PW15PHC3/50KG-1	50 kg	100 lb	2.43 lb	7135	1,799.00
1-PW15PHC3/100KG-1	100 kg	200 lb	2.43 lb	7136	1,799.00

Dimensions (in mm, 1 mm = 0.03937 inches)



Single point

Prices are subject to change without notice. Please call for current prices.

Other items are available from the manufacturers, please call for quote.

13-01 Pollitt Dr Ext
 Fair Lawn NJ 07410
 201-797-2718

 **Totalcomp**
 Components

www.totalcomp.com
 sales@totalcomp.com
 Fax 201-797-2287

Single Point



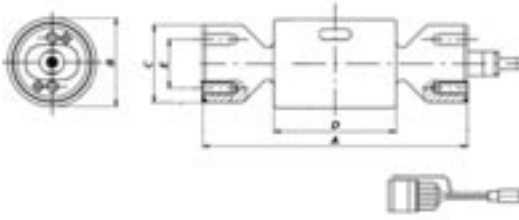
PW27
Beam

PW27 HBM

Platform load cell (single point) with aseptic design. Stainless steel.
Uses (2) "O" ring seals. One on each end.
2 mv/v, 300-500/300-500 ohms, 3m 6 wire. cable, **stainless steel**, IP68/IP69.

Part Number	Capacity	Weight	Stock	List
I-PW27C3/10KG-1	10 kg	3 lb	640	\$ 1,557.00
I-PW27C3/20KG-1	20 kg	3 lb	641	1,557.00

Single point



Dimensions in inches

Capacity	A	B	C	D	E
10 kg	5.126	1.713	1.500	2.400	0.950
20 kg	5.126	1.713	1.500	2.400	0.950



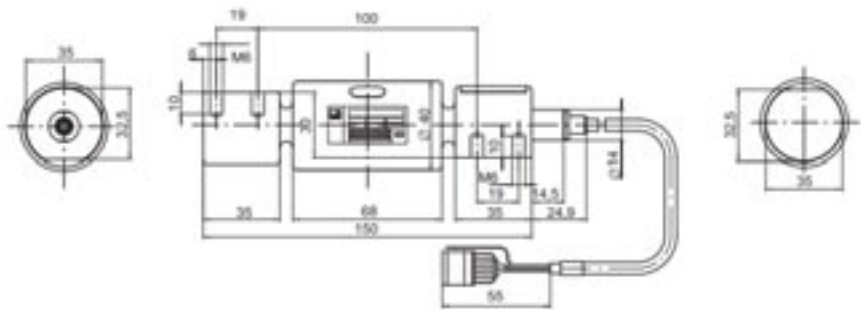
PW25 Hygienic

PW25 HBM hygienic

Stainless steel, hermetically sealed for hygienic applications that need water at high pressure, steam jet cleaning..
2 mv/v, 300-500/300-500 ohm, 3m 6 wire cable, 17-4 **stainless steel**, IP69K.

Part Number	Capacity	Weight	Stock	List
1-PW25C3/10kg-1	10 kg	2.76 lb	2271	\$ 1,454.00
1-PW25C3/20kg-1	20 kg	2.76 lb	2272	1,454.00

Dimensions in mm



Single Point

PW22 HBM

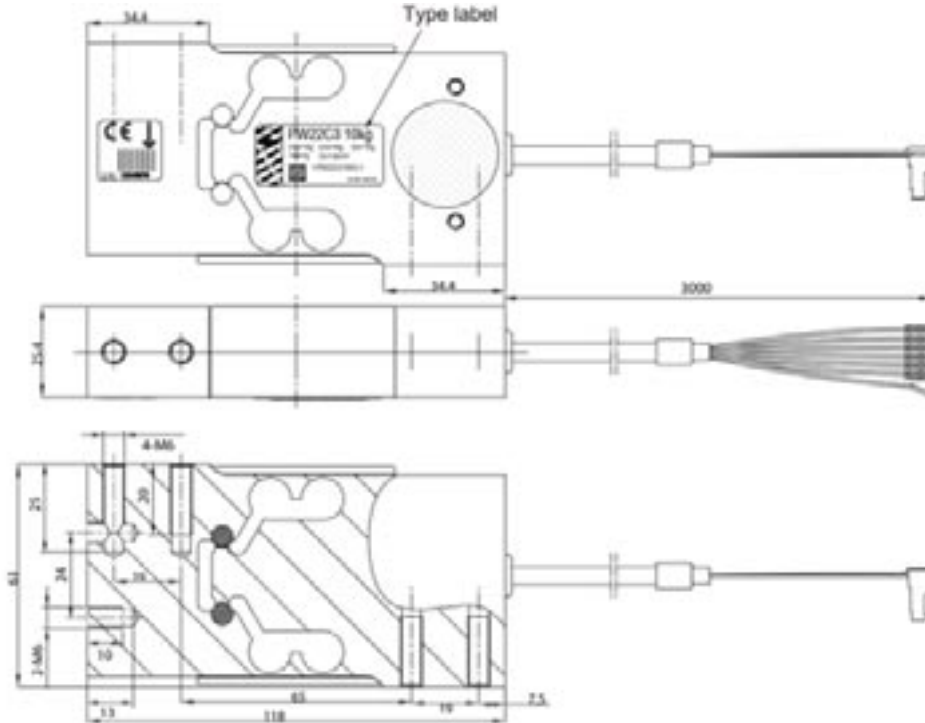
2 mv/v, 300-500/300-500 ohms, 1.5m 6 wire cable, anodized aluminum, IP67.

Part Number	Capacity	Nominal	Weight	Stock	List
1-PW22C3/6kg-1	6 kg	12 lb	2 lb	1586	\$ 1,110.00
1-PW22C3/10kg-1	10 kg	20 lb	2 lb	1587	1,110.00
1-PW22C3/20kg-1	20 kg	40 lb	2 lb	1588	1,110.00
1-PW22C3/30kg-1	30 kg	60 lb	2 lb	1589	1,110.00



PW 22

Dimensions in mm



Single point

PW29 HBM

Hermetically sealed (encapsulated) stainless steel IP68, IP69K

2 mv/v, 380 ohm input, 300-500 ohm output, 1.5m 6 wire cable, anodized aluminum, IP68, IP69K.

Part Number	Capacity	Weight	Stock	List
1-PW29C3/100kg-1	100 kg	13.88 lb	2026	\$ 1,933.00
1-PW29C3/250kg-1	250 kg	13.88 lb	2027	1,933.00
1-PW29C3/500kg-1	500 kg	13.88 lb	2028	1,933.00
1-PW29C3/750kg-1	750 kg	13.88 lb	2029	1,933.00
1-PW29C3/1T-1	1,000 kg	13.88 lb	2030	1,933.00



PW 29

Prices are subject to change without notice. Please call for current prices.

Other items are available from the manufacturers, please call for quote.

13-01 Pollitt Dr Ext
Fair Lawn NJ 07410
201-797-2718

Totalcomp
Components

www.totalcomp.com
sales@totalcomp.com
Fax 201-797-2287

Single Point



SP4



SP4 HBM

Interchangeable with Tedea Model 1040. Mounting screws are 1/4-20 UNC(coarse) with 3/4" spacing on both top and bottom.
2 mv/v, 350/350 ohm, 10 ft 6 wire cable, anodized aluminum, IP67.

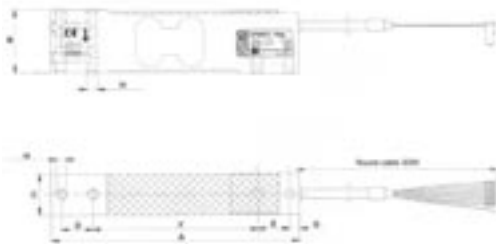
Part Number	Capacity	Nominal	Weight	Stock	List
1-SP4MC3/1KGU-1	1 kg	2 lb	0.84 lb	8308	\$ 151.00
1-SP4MC3/3KGU-1	3 kg	6 lb	0.84 lb	8309	151.00
1-SP4MC3/5KGU-1	5 kg	10 lb	0.84 lb	8310	151.00
1-SP4MC3/7KGU-1	7 kg	15 lb	0.84 lb	8409	157.00
1-SP4MC3/10KGU-1	10 kg	20 lb	0.84 lb	8410	157.00
1-SP4MC3/15KGU-1	15 kg	30 lb	0.84 lb	8411	157.00
1-SP4MC3/20KGU-1	20 kg	40 lb	0.84 lb	8412	157.00
1-SP4MC3/30KGU-1	30 kg	60 lb	0.84 lb	8413	157.00
1-SP4MC3/50KGU-1	50 kg	100 lb	0.84 lb	8414	157.00
1-SP4MC3/75KGU-1	75 kg	150 lb	0.84 lb	8415	157.00
1-SP4MC3/100KGU-1	100 kg	200 lb	0.84 lb	8416	157.00
1-SP4MC3/200KGU-1	200 kg	400 lb	0.84 lb	8417	157.00

Dimensions in inches

Capacity	A	B	C	D	E	F	G	H	I
7kg-200kg	5.90	0.79	1.00	0.75	0.75	3.94	2.95	0.22	1/4-20 UNC



SP4 Metric



SP4 HBM Metric

Interchangeable with Tedea Model 1040. Mounting screws are metric M6 with 3/4" spacing on both top and bottom. Metric threads
2 mv/v, 350/350 ohm, 10 ft 6 wire cable, anodized aluminum, IP67.

Part Number	Capacity	Nominal	Weight	Stock	List
1-SP4MC3MR/1KG-1	1 kg	2 lb	2 lb	3766	\$ 412.00
1-SP4MC3MR/3KG-1	3 kg	6 lb	2 lb	3767	412.00
1-SP4MC3MR/5KG-1	5 kg	10 lb	2 lb	3768	412.00
1-SP4MC3MR/7KG-1	7 kg	14 lb	2 lb	3769	412.00
1-SP4MC3MR/10KG-1	10 kg	20 lb	2 lb	3770	412.00
1-SP4MC3MR/15KG-1	15 kg	30 lb	2 lb	3771	412.00
1-SP4MC3MR/20KG-1	20 kg	40 lb	2 lb	3772	412.00
1-SP4MC3MR/30KG-1	30 kg	60 lb	2 lb	3773	412.00
1-SP4MC3MR/50KG-1	50 kg	100 lb	2 lb	3774	412.00
1-SP4MC3MR/75KG-1	75 kg	150 lb	2 lb	3775	412.00
1-SP4MC3MR/100KG-1	100 kg	200 lb	2 lb	3776	412.00
1-SP4MC3MR/150KG-1	150 kg	300 lb	2 lb	3777	412.00
1-SP4MC3MR/200KG-1	200 kg	400 lb	2 lb	3778	412.00

Dimensions in mm

Capacity	A	B	C	D	E	F	G	H	I
7kg-200kg	149.86	20.1	25.4	19.05	19.05	100.1	74.93	5.58	M6

Prices are subject to change without notice. Please call for current prices.

Other items are available from the manufacturers, please call for quote.

Single Point

PWS HBM

Moisture proof, low profile, resistant to shock loading.
 2 mv/v, 350/350 ohms, 10 ft 4 wire cable, **stainless steel**.
 NTEP Legal for Trade 92-099
 FM Approved

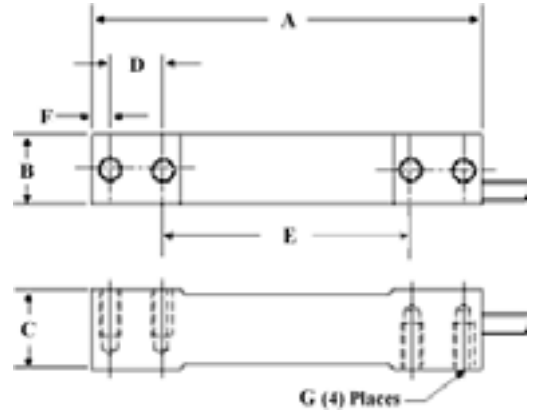
Part Number	Capacity	Nominal	Weight	Stock	List
PWS-7KG-10500	7 kg	15 lb	2 lb	1831	\$ 361.00
PWS-10KG-10500	10 kg	22 lb	2 lb	1832	361.00
PWS-15KG-10500	15 kg	33 lb	2 lb	1833	361.00
PWS-30KG-10500	30 kg	66 lb	2 lb	1834	361.00
PWS-60KG-10500	60 kg	130 lb	2 lb	1835	361.00
PWS-100KG-10500	100 kg	220 lb	3 lb	1836	361.00
PWS-150KG-10500	150 kg	330 lb	3 lb	1837	361.00

Dimensions in inches

Capacity	A	B	C	D	E	F	G
7kg-15kg	5.50	0.75	1.19	0.75	3.50	0.25	1/4-20 UNC
30kg-60kg	5.50	0.94	1.19	0.75	3.50	0.25	1/4-20 UNC
100-150kg	5.50	1.21	1.19	0.88	3.12	0.31	3/8-16 UNC



PWS



Single point

DF2SR HBM

2 mv/v, 1,000/1,000 ohms, 3.5m 4 wire cable, anodized aluminum, IP67.

Part Number	Capacity	Nominal	Weight	Stock	List
1-DF2SR-3/1KG-1	1 kg	2 lb	1 lb	2033	\$ 194.00
1-DF2SR-3/3KG-1	3 kg	6 lb	1 lb	2034	194.00
1-DF2SR-3/5KG-1	5 kg	10 lb	1 lb	2035	194.00
1-DF2SR-3/10KG-1	10 kg	20 lb	1 lb	2036	194.00
1-DF2SR-3/15KG-1	15 kg	30 lb	1 lb	2038	194.00
1-DF2SR-3/20KG-1	20 kg	40 lb	1 lb	2039	194.00



DF2SR
Single point

PLC HBM

Mounting screws are 1/4-20 UNC (coarse) with 0.75" spacing on both top and bottom
 2 mv/v, 0.02% nonlinearity, 400/350 ohms, 18" 4 wire cable, anodized aluminum.
 NTEP Legal for Trade 87-096

Part Number	Capacity	Weight	Stock	List
PLC-20	20 lb	2 lb	606	\$ 380.00



PLC



Prices are subject to change without notice. Please call for current prices.

Other items are available from the manufacturers, please call for quote.

13-01 Pollitt Dr Ext
 Fair Lawn NJ 07410
 201-797-2718

Totalcomp
 Components

www.totalcomp.com
 sales@totalcomp.com
 Fax 201-797-2287

Single Point



60048
60048-0108

60048 Scentroidronics

These cells are potted with a special elastic sealant for use in high moisture scales.
2 mv/v, 350/350 ohms, 10 ft 4 wire cable, **stainless steel**, IP67.

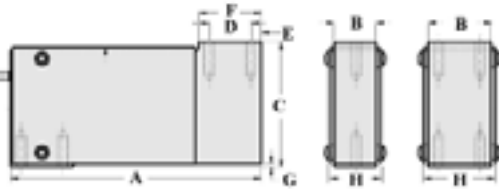
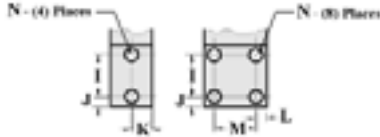
Part Number	Capacity	Weight	Stock	List
60048-25	25 lb	5 lb	162	\$ 560.79
60048-50	50 lb	5 lb	163	547.75
60048-100	100 lb	5 lb	164	547.75
60048-200	200 lb	5 lb	165	547.75
60048-400	400 lb	5 lb	166	606.43
60048-500	500 lb	5 lb	372	623.82
60048-1K	1,000 lb	7 lb	373	658.60

Dimensions in inches

Capacity	A	B	C	D	E	F	G	H
25-200	6.00	1.00	3.00	1.00	0.25	1.50	0.09	1.25
400-500	6.00	1.00	3.00	1.00	0.25	1.50	0.09	1.25
1K	6.00	1.50	3.00	1.00	0.25	1.50	0.09	1.25

Dimensions in inches

Capacity	I	J	K	L	M	N
25-200	1.00	0.25	0.50	0.25	----	1/4-28 UNF
400-500	1.00	0.25	0.50	0.25	0.50	1/4-28 UNF
1K	1.00	0.25	0.50	0.25	1.00	5/16-24 UNF



Single point



60051

60051 Scentroidronics

Replacement for TedeA Model 1010, NCI Mark III and NCI Mark IX. Mounting screws are 1/4- 28 UNF(fine) with 3/4" spacing on both top and bottom.
2 mv/v, 350/350 ohms, 10 ft 4 wire cable, **stainless steel**, IP67.

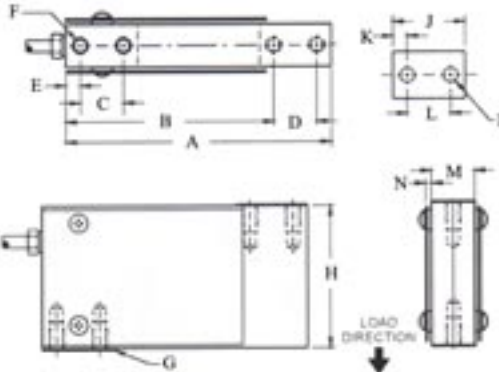
Part Number	Capacity	Weight	Stock	List
60051-10	10 lb	2 lb	1230	\$ 684.00
60051-15	15 lb	2 lb	1231	634.00
60051-25	25 lb	2 lb	1232	637.00
60051-50	50 lb	3 lb	1382	492.00
60051-100	100 lb	3 lb	1383	683.00
60051-200	200 lb	3 lb	1384	729.00

Dimensions in inches

Capacity	A	B	C	D	E	F	G	H
10lb-25lb	4.63	3.63	0.75	0.75	0.25	1/4-20 UNC	0.25	2.50
50lb-200lb	4.63	3.63	0.75	0.75	0.25	1/4-20 UNC	0.25	2.50

Dimensions in inches

Capacity	I	J	K	L	M	N
10lb-25lb	0.25	1.25	0.25	0.75	0.50	0.10
50lb-200lb	0.25	1.25	0.25	0.75	0.75	0.10



Single Point

60060 Sontronics, aluminum

Interchangeable with Tedeia Model 1250.

2 mv/v ,0.02% total error, 350/350 ohms, 10 ft 4 wire cable, anodized aluminum, IP67.

NTEP Legal for Trade 98-038

Part Number	Capacity	Weight	Stock	List
60060-100 *	100 lb	6 lb	2684	\$ 336.91
60060-250	250 lb	6 lb	2300	336.91
60060-500	500 lb	6 lb	2301	336.91
60060-750	750 lb	6 lb	2302	336.91
60060-1K	1,000 lb	6 lb	2303	336.91
60060-2K	2,000 lb	6 lb	2304	336.91

* Not NTEP

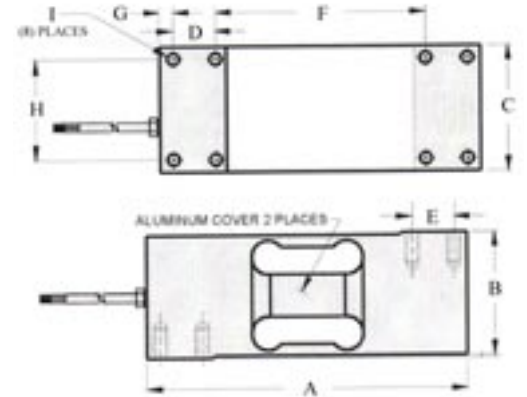


60060-AL



Dimensions in inches

Capacity	A	B	C	D	E	F	G	H	I
100-2000	7.50	2.95	2.95	0.98	0.98	4.92	0.31	2.36	5/16-18 UNC



Single point

Prices are subject to change without notice. Please call for current prices.

Other items are available from the manufacturers, please call for quote.

13-01 Pollitt Dr Ext
Fair Lawn NJ 07410
201-797-2718

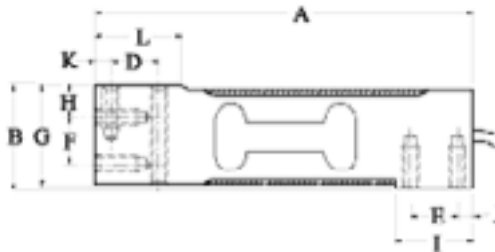
Totalcomp
Components

www.totalcomp.com
sales@totalcomp.com
Fax 201-797-2287

Single Point



BCA



BCA CAS

Replacement for Tedeo Model 1040. Mounting screws are 1/4-20UNC(coarse) with 3/4" spacing on both top and bottom.
2 mv/v, 10 ft 4 wire cable, 400/350 ohm, anodized aluminum, IP67.
NTEP Legal for Trade 96-131

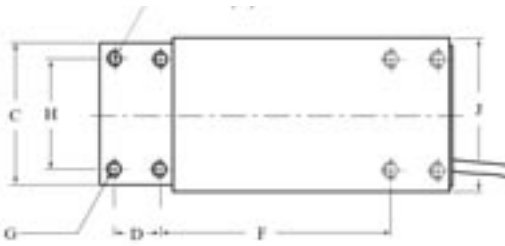
Part Number	Capacity	Nominal	Weight	Stock	List
BCA-5L	5 kg	10 lb	2 lb	5674	\$ 99.00
BCA-10L	10 kg	20 lb	2 lb	5675	99.00
BCA-15L	15 kg	30 lb	3 lb	5676	99.00
BCA-20L	20 kg	40 lb	3 lb	5677	99.00
BCA-30L	30 kg	60 lb	3 lb	5678	99.00
BCA-50L	50 kg	100 lb	3 lb	5679	99.00
BCA-75L	75 kg	150 lb	3 lb	5680	99.00
BCA-100L	100 kg	200 lb	3 lb	5681	99.00

Dimensions in inches

Capacity	A	B	C	D	E	F	G	H	I	J	K	L
5kg-100kg	5.9	1.57	0.98	0.75	0.75	0.75	1.52	0.47	1.22	0.25	0.25	1.34



BCM



BCM CAS

Interchangeable with Tedeo Model 1250.
2 mv/v, 400/350 ohms, 10 ft 4 wire cable, anodized aluminum.
NTEP Legal for Trade 97-008

Part Number	Capacity	Nominal	Weight	Stock	List
BCM-50L	50 kg	100 lb	5 lb	5660	\$ 199.00
BCM-75L	75 kg	150 lb	5 lb	5661	199.00
BCM-100L	100 kg	200 lb	5 lb	5662	199.00
BCM-150L	150 kg	300 lb	5 lb	5663	199.00
BCM-200L	200 kg	400 lb	5 lb	5664	199.00
BCM-300L	300 kg	600 lb	5 lb	5665	199.00
BCM-500L	500 kg	1,000 lb	5 lb	5666	199.00

Dimensions in inches

Capacity	A	B	C	D	E	F	G	H	I	J	K
50kg-500kg	7.52	2.97	3.00	0.980	0.98	4.92	0.25	2.36	2.67	3.20	5/16-18

Prices are subject to change without notice. Please call for current prices.

Other items are available from the manufacturers, please call for quote.

Single Point

LPS Celtron

2 mv/v, 410/350 ohms, 2.10M cable, anodized aluminum, IP66.

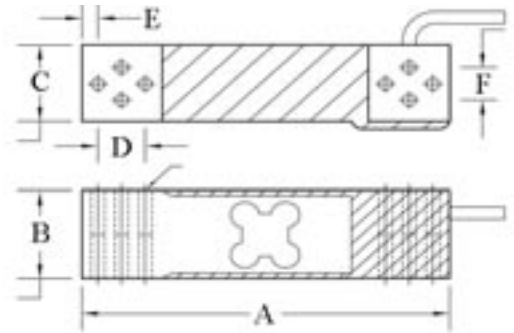
Part Number	Capacity	Nominal	Weight	Stock	List
LPS-2kg-S	2 kg	4 lb	2 lb	7659	\$ 125.40
LPS-60kg-S	60 kg	130 lb	2 lb	7656	125.40
LPS-100kg-S	100 kg	220 lb	2 lb	7657	125.40
LPS-200kg-S	200 kg	440 lb	2 lb	7658	125.40



LPS

Dimensions in inches

Capacity	A	B	C	D	E	F	G
2kg-200kg	5.91	1.57	1.38	0.75	0.28	0.59	M6 x 8



Single point

D1250 Diamond, stainless steel

Interchangeable with Tedea Model 1250 and Sensortronics Model 60060-SS.
2 mv/v, 400/350 ohms, 8 ft 4 wire cable, stainless steel, IP67.

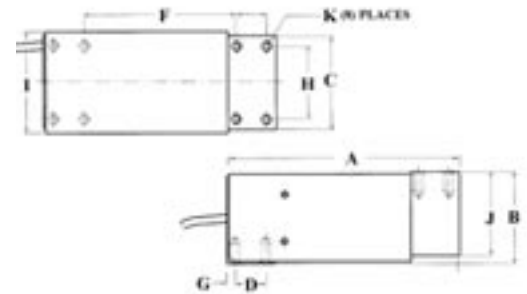
Part Number	Capacity	Weight	Stock	List
D1250-100-SS	100 lb	15 lb	7072	\$ 916.00
D1250-250-SS	250 lb	15 lb	7073	916.00
D1250-500-SS	500 lb	15 lb	7074	916.00
D1250-750-SS	750 lb	15 lb	7075	916.00
D1250-1K-SS	1,000 lb	15 lb	7076	916.00
D1250-2K-SS	2,000 lb	15 lb	7077	916.00



D1250-100-SS

Dimensions in inches

Capacity	A	B	C	D	E	F	G	H	I	J	K
50-2000	7.52	2.97	3.00	0.98	0.98	4.92	0.25	2.36	3.20	2.67	5/16-18 UNC



Prices are subject to change without notice. Please call for current prices.

Other items are available from the manufacturers, please call for quote.

13-01 Pollitt Dr Ext
Fair Lawn NJ 07410
201-797-2718

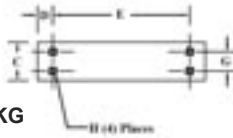
Totalcomp
Components

www.totalcomp.com
sales@totalcomp.com
Fax 201-797-2287

Single Point



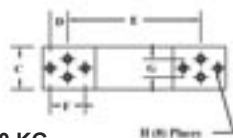
CG-22



3 KG to 30 KG



60 KG to 100 KG



CG-22 Coti Global

Interchangeable with NMB C2G1, Scaime EP, Toledo 0765, General Sensor GC2G1 except for the 3kg, 5kg and 30kg capacities and Toledo model 0765.
2 mv/v, 415/350 ohms, 10 ft 4 wire cable, anodized aluminum, IP67
NTEP Legal for Trade 96-122

Part Number	Capacity	Nominal	Weight	Stock	List
CG-22-3K	3 kg	6 lb	1 lb	1770	\$ 151.80
CG-22-5K	5 kg	10 lb	1 lb	1771	151.80
CG-22-6K	6 kg	12 lb	1 lb	1772	151.80
CG-22-7K	7 kg	14 lb	1 lb	1773	151.80
CG-22-10K	10 kg	30 lb	1 lb	1774	151.80
CG-22-15K	15 kg	40 lb	1 lb	1775	151.80
CG-22-20K	20 kg	60 lb	1 lb	1776	151.80
CG-22-30K	30 kg	70 lb	1 lb	1777	151.80
CG-22-60K	60 kg	100 lb	1 lb	1778	151.80
CG-22-75K	75 kg	150 lb	1 lb	1779	151.80
CG-22-100K	100 kg	200 lb	1 lb	1780	151.80

Dimensions in inches

Capacity	A	B	C	D	E	F	G	H
3kg	2.76	0.87	0.59	0.24	2.28	-	0.28	M3
5kg-30kg	5.12	0.87	1.18	0.47	4.17	-	0.59	M6
60kg-100kg	5.91	1.57	1.38	0.28	4.61	0.75	0.59	M6

CG-42 Coti Global

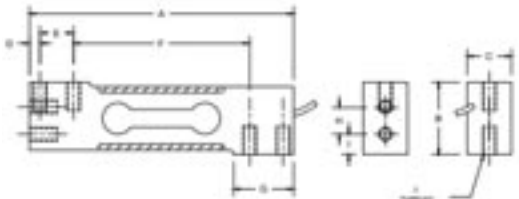
Interchangeable with Tedeia 1042, Scaime AG, General Sensor GC1042.
2 mv/v, 415/350 ohms, 10 ft 4 wire cable, anodized aluminum, IP67
NTEP Legal for Trade 08-075



CG-42

Part Number	Capacity	Nominal	Weight	Stock	List
CG-42-3kg *	3 kg	6 lb	1 lb	2660	\$ 176.00
CG-42-5kg *	5 kg	10 lb	1 lb	2661	176.00
CG-42-7kg *	7 kg	14 lb	1 lb	2662	176.00
CG-42-10kg	10 kg	20 lb	1 lb	2663	176.00
CG-42-15kg	15 kg	30 lb	1 lb	2664	176.00
CG-42-20kg	20 kg	40 lb	1 lb	2665	176.00
CG-42-30kg	30 kg	60 lb	1 lb	2666	176.00
CG-42-50kg	50 kg	100 lb	1 lb	2667	176.00
CG-42-75kg	75 kg	150 lb	1 lb	2668	176.00
CG-42-100kg	100 kg	200 lb	1 lb	2669	176.00

* Not NTEP



RATED CAPACITY	DIMENSIONS									
	A	B	C	D	E	F	G	H	I	J
3-30KG	5.91	1.575	.787	0.24	0.75	3.937	1.339	0.75	0.37	1/4-20UNCx0.44dp
50-100KG	5.91	1.575	.992	0.24	0.75	3.937	1.339	0.75	0.37	1/4-20UNCx0.44dp

Prices are subject to change without notice. Please call for current prices.

Other items are available from the manufacturers, please call for quote.

Single Point

CG-FB Coti Global

Interchangeable with Fairbanks 3-551761-1 and Fairbanks 55383-2.
2 mv/v, 385/350 ohms, 10 ft 4 wire cable, aluminum, IP67.

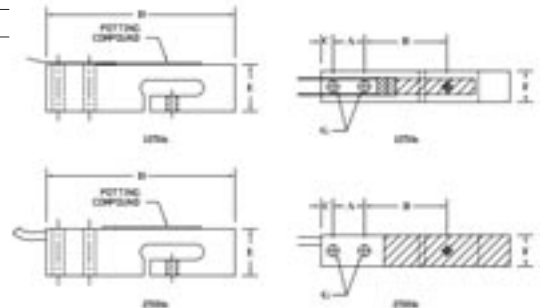
Part Number	Capacity	Weight	Stock	List
CG-FB-125	125 lb	1 lb	200	\$ 658.35
CG-FB-250	250 lb	1 lb	201	658.35



CG-FB

Dimensions in inches

Capacity	A	B	C	D	E	F	G
125lb	0.50	1.31	0.19	3.00	0.75	0.50	0.18
250lb	0.50	1.31	0.19	3.00	0.85	0.75	0.18



Single point

CG-FLS Coti Global

Interchangeable with Weigh-Tronix FLS single point load cell. (4) mounting holes 0.453" dia. 2" vertical spacing. 5.5" horizontal spacing, center to center. Over 250 lb has larger envelope 8" x 3.75" with hole spacing 7" x 2.75".

1 mv/v, 350/350 ohms, 10 ft 4 wire cable, **stainless steel**, IP65
NTEP Legal for Trade 05-007

Part Number	Weight-Tronix	Capacity	Weight	Stock	List
CG-FLS-50	-----	50 lb	4 lb	5372	\$ 635.25
CG-FLS-125	49098-0075	125 lb	7 lb	5373	658.35
CG-FLS-250	49098-0042	250 lb	7 lb	5374	658.35
CG-FLS-625 *	49100-0022	625 lb	9 lb	5375	866.25

* Not NTEP

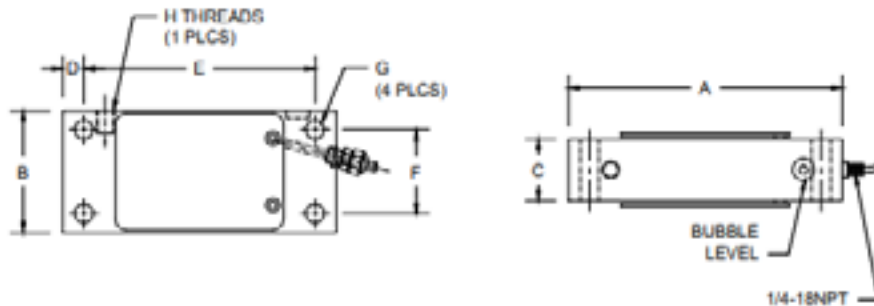


CG-FLS



Dimensions in inches

RATED CAPACITY	DIMENSIONS							
	A	B	C	D	E	F	G	H
50lb	6.50	2.90	0.74	0.50	5.50	2.00	0.45	5/16-18UNCx0.50dp
125-250lb	6.50	2.90	1.48	0.50	5.50	2.00	0.45	5/16-18UNCx0.50dp
625lb	8.00	3.75	1.91	0.50	7.00	2.75	0.52	



Prices are subject to change without notice. Please call for current prices.

Other items are available from the manufacturers, please call for quote.

13-01 Pollitt Dr Ext
Fair Lawn NJ 07410
201-797-2718

Totalcomp
Components

www.totalcomp.com
sales@totalcomp.com
Fax 201-797-2287

Single Point



CG-SPLM

CG-SPLM Coti Global

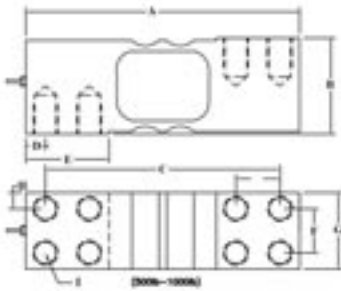
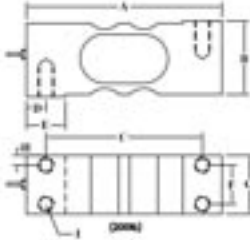
Interchangeable with Cardinal SP-LM.

2 mv/v, 410/350 ohms, 10 ft 4 wire cable, stainless steel, potted, IP67.

Part Number	Capacity	Weight	Stock	List
CG-SPLM-200	200 lb	5 lb	8052	\$ 669.90
CG-SPLM-500	500 lb	8 lb	8053	750.75
CG-SPLM1000	1,000 lb	8 lb	8054	854.70

Dimensions in inches

Capacity	A	B	C	D	E	F	G	H	I
200lb	5.00	1.94	4.00	0.50	1.00	1.00	1.50	0.25	M10X1.5X0.75dp
500-1000lb	7.00	2.46	6.00	0.50	2.13	1.13	1.96	0.42	M16X2.0X0.75dp



CG-50-1

CG-50-1 Coti Global

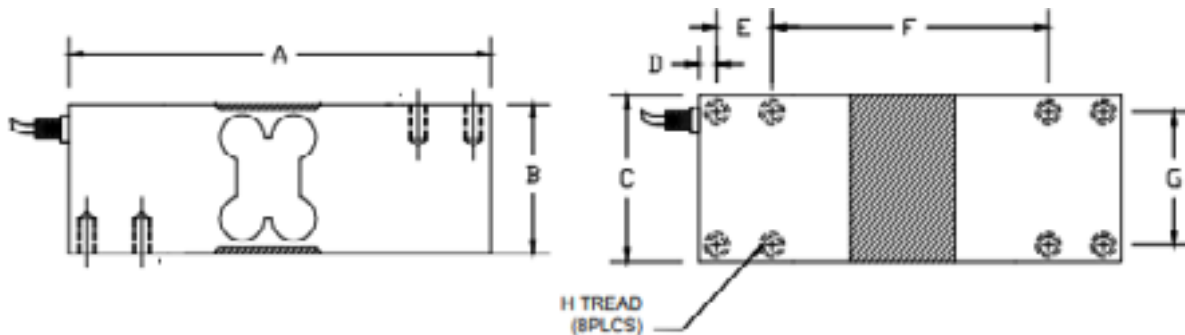
Interchangeable with Tedea 1260.

2 mv/v, 410/350 ohms, 10 ft 4 wire cable, aluminum. IP67.

Part Number	Capacity	Weight	Stock	List
CG-50-1-50kg	50 kg	5 lb	5773	\$ 303.19
CG-50-1-75kg	75 kg	5 lb	5774	303.19
CG-50-1-100kg	100 kg	5 lb	5775	303.19
CG-50-1-150kg	150 kg	5 lb	5776	303.19
CG-50-1-200kg	200 kg	5 lb	5777	303.19
CG-50-1-250kg	250 kg	5 lb	5778	303.19
CG-50-1-300kg	300 kg	5 lb	5779	303.19
CG-50-1-500kg	500 kg	5 lb	5780	303.19
CG-50-1-635kg *	635 kg	5 lb	5781	303.19

* Not NTEP

RATED CAPACITY	DIMENSIONS							
	A	B	C	D	E	F	G	H
50-635KG	7.40	2.45	2.49	0.22	1.38	4.21	1.97	5/16-18UNCx0.62dp



Prices are subject to change without notice. Please call for current prices.

Other items are available from the manufacturers, please call for quote.

Single Point

CG-SPL Coti Global

Interchangeable with Cardinal SP-L
 2 mv/v, 410/350ohms, 10 ft 4 wire cable, environmentally sealed, aluminum, IP65.

Part Number	Capacity	Weight	Stock	List
CG-SPL-6	6 lb	2 lb	8046	\$ 363.83
CG-SPL-10	10 lb	2 lb	8047	363.83
CG-SPL-15	15 lb	2 lb	8048	363.83
CG-SPL-25	25 lb	2 lb	8049	363.83
CG-SPL-50	50 lb	2 lb	8050	363.83
CG-SPL-100	100 lb	2 lb	8051	363.83



CG-SPL

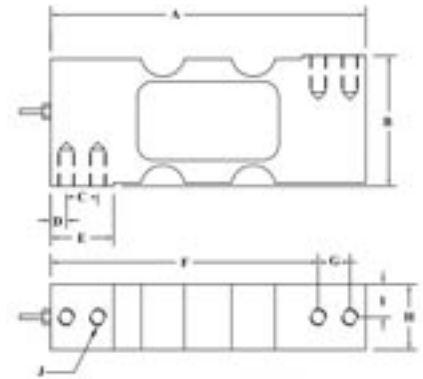


Dimensions in inches

Capacity	A	B	C	D	E	F	G
6-100lb	5.00	1.99	0.50	0.25	1.00	4.25	0.50

Dimensions in inches continued

Capacity	H	I	J	K
6-100lb	1.00	0.50	1.00	1/4-28UNFX0.50dp



Single point

Prices are subject to change without notice. Please call for current prices.

Other items are available from the manufacturers, please call for quote.

13-01 Pollitt Dr Ext
 Fair Lawn NJ 07410
 201-797-2718

 **Totalcomp**
 Components

www.totalcomp.com
 sales@totalcomp.com
 Fax 201-797-2287

Single Point



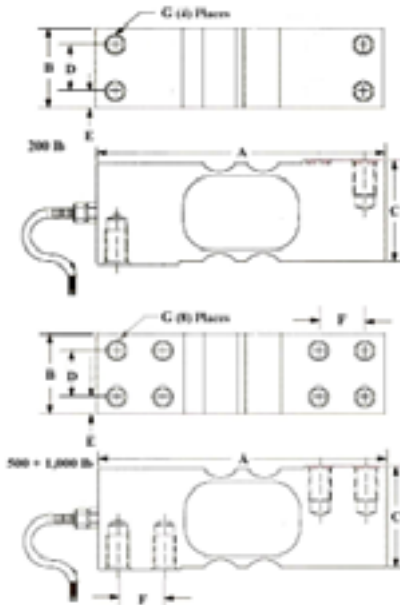
SP-200LM

SP-LM Cardinal

For use in bench or floor scales. Has metric thread.
2 mv/v, 380/350 ohms, 10 ft 4 wire cable, **stainless steel**, IP67.

Part Number	Capacity	Weight	Stock	List
SP-200LM	200 lb	5 lb	874	\$ 750.00
SP-500LM	500 lb	8 lb	875	830.00
SP-1000LM	1,000 lb	8 lb	876	940.00

Single point



Dimensions in inches

Capacity	A	B	C	D	E	F	G
200lb	5.00	1.50	1.98	1.00	0.25	----	M10
500-1000	7.00	1.96	2.50	1.12	0.41	1.12	M16

Single Point

SP-L Cardinal

For use in bench or counter scales.

2 mv/v, 400/350 ohms, 7 ft 4 wire cable, aluminum, IP67

Part Number	Capacity	Weight	Stock	List
SP-6L	6 lb	1 lb	2765	\$ 410.00
SP-10L	10 lb	1 lb	2766	410.00
SP-15L	15 lb	1 lb	2767	410.00
SP-25L	25 lb	1 lb	2932	410.00
SP-50L	50 lb	1 lb	2933	410.00
SP-100L	100 lb	1 lb	2934	410.00



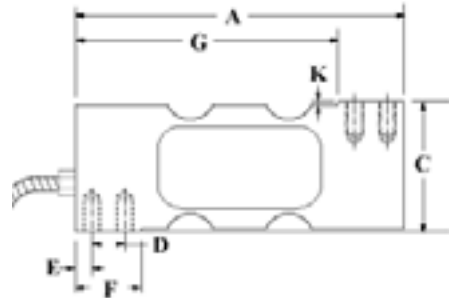
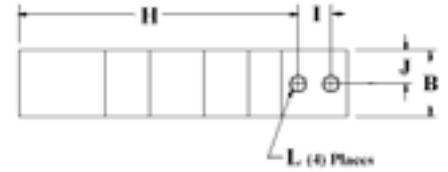
SP-10L

Dimensions in inches

Capacity	A	B	C	D	E	F	G
6lb	5.00	0.50	2.00	0.50	0.25	1.00	4.00
10-100 lb	5.00	1.00	2.00	0.50	0.25	1.00	4.00

Dimensions in inches continued

Capacity	H	I	J	K	L
6lb	4.25	0.50	0.25	0.50	1/4-28 NF
10-100 lb	4.25	0.50	0.50	0.50	1/4-28 NF



Single point

TSSP Cardinal

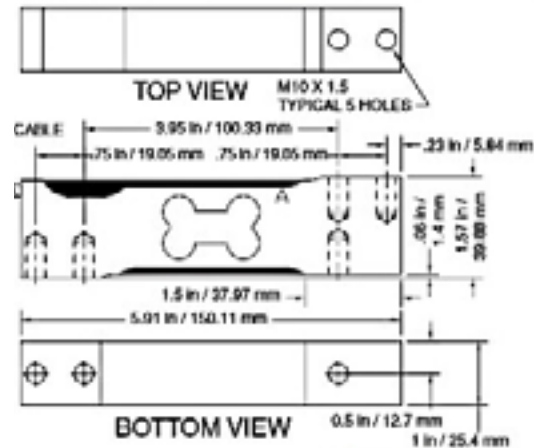
2 mv/v, 435 ohm input, 350 ohm output, 10 ft 4 wire cable, stainless steel, IP-65.

OIML RGO/1991-NL-00.02

Part Number	Capacity	Nominal	Weight	Stock	List
TSSP-20kg	20 kg	44 lb	2 lb	2689	\$ 580.00
TSSP-50kg	50 kg	110 lb	2 lb	2690	580.00
TSSP-75kg	75 kg	160 lb	2 lb	2691	580.00
TSSP-100kg	100 kg	220 lb	2 lb	2692	580.00
TSSP-230kg	230 kg	440 lb	2 lb	2693	640.00



TSSP



Prices are subject to change without notice. Please call for current prices.

Other items are available from the manufacturers, please call for quote.

13-01 Pollitt Dr Ext
Fair Lawn NJ 07410
201-797-2718

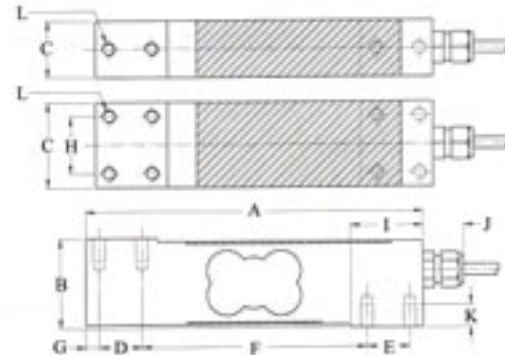
Totalcomp
Components

www.totalcomp.com
sales@totalcomp.com
Fax 201-797-2287

Single Point



PC1



PC1 Flintec

Replacement for Tedea Model 1040. Mounting screws are M6 metric with 3/4" spacing on both top and bottom.
2 mv/v, 3m 4 wire cable, 390/330 ohm, **stainless steel**, IP67.
NTEP Legal for Trade 99-110

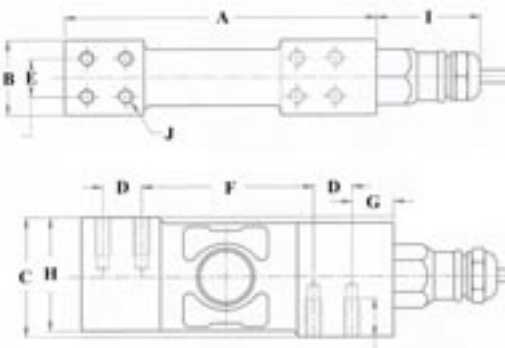
Part Number	Capacity	Nominal	Weight	Stock	List
PC1-C3-15kg	15 kg	30 lb	3 lb	4805	\$ 323.00
PC1-C3-30kg	30 kg	60 lb	3 lb	4806	323.00
PC1-C3-50kg	50 kg	100 lb	3 lb	4807	323.00
PC1-C3-100kg	100 kg	200 lb	3 lb	4808	323.00
PC1-C3-200kg	200 kg	400 lb	3 lb	4809	414.00

Dimensions in inches

Capacity	A	B	C	D	E	F	G	H	I	J	K	L
6kg-100kg	5.90	1.57	0.98	0.75	0.75	3.94	0.25	----	1.25	0.75	0.34	M6
200kg	5.90	1.57	1.47	0.75	0.75	3.94	0.25	1.00	1.25	0.75	0.34	M6



PC6



PC6 Flintec

Interchangeable with Rice Lake Weighing Systems RLC6 and Mettler model 799.
2mv/v, 960/1100 ohms, 3.3 ft wire cable, **stainless steel**, IP69.
Factory Mutual Approved.
NTEP Legal for Trade 05-074

Part Number	Capacity	Nominal	Weight	Stock	List
PC6-10	10 kg	20 lb	3 lb	3621	\$ 577.00
PC6-20	20 kg	40 lb	3 lb	3622	577.00
PC6-50	50 kg	100 lb	3 lb	3623	577.00
PC6-100	100 kg	200 lb	3 lb	3624	577.00
PC6-200	200 kg	400 lb	3 lb	3625	577.00

Dimensions in inches

Capacity	A	B	C	D	E	F	G	H	I	J
10kg-200kg	4.84	1.18	1.89	0.60	0.60	2.66	0.70	1.80	1.61	M6 x 8

Prices are subject to change without notice. Please call for current prices.

Other items are available from the manufacturers, please call for quote.

Single Point

PC7 Flintec

Hermetically sealed with all welded construction. M8 thread mounting holes
2 mv/v +/-10%, 380/350 ohms, 3m 6 wire cable, **stainless steel**, IP68.

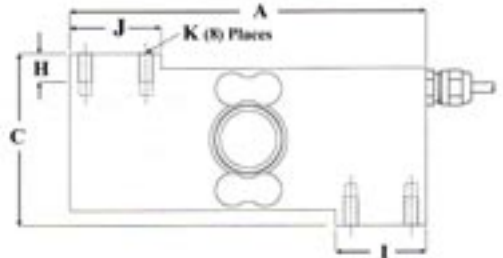
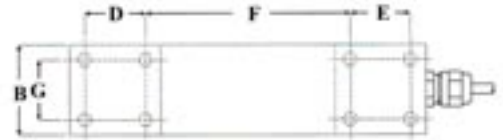
Part Number	Capacity	Nominal	Weight	Stock	List
PC7-C3-100kg	100 kg	200 lb	6 lb	5934	\$ 661.00
PC7-C3-250kg	250 kg	500 lb	6 lb	5935	661.00
PC7-C3-500kg	500 kg	1,000 lb	6 lb	5936	661.00



PC7

Dimensions in inches

Capacity	A	B	C	D	E	F	G	H	I	J	K
100kg-500kg	5.90	1.50	2.87	1.00	1.00	3.40	1.00	0.47	1.50	1.50	M8 x 1.25



Single point

PC30 Flintec

Full stainless steel construction. M6 thread mounting holes
2 mv/v, 385/350 ohms, 1.5m 6 wire cable, **stainless steel**, IP67.

NTEP Legal for trade,
OIML

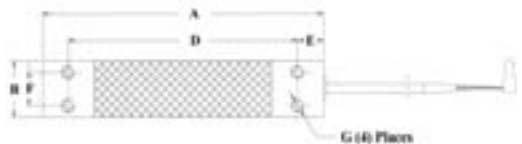
Part Number	Capacity	Nominal	Weight	Stock	List
PC30-7kg-GP	7 kg	15 lb	2.2 lb	1732	\$ 295.00
PC30-10kg-C3	10 kg	20 lb	2.2 lb	1733	295.00
PC30-15kg-C3	15 kg	30 lb	2.2 lb	1734	295.00
PC30-30kg-C3	30 kg	60 lb	2.2 lb	1735	295.00
PC30-50kg-C3	50 kg	100 lb	2.2 lb	1736	295.00



PC30

Dimensions in mm

Capacity	A	B	C	D	E	F	G
7kg-50kg	135	25	30	106	14.5	15	M6-8 x 10



Prices are subject to change without notice. Please call for current prices.

Other items are available from the manufacturers, please call for quote.

13-01 Pollitt Dr Ext
Fair Lawn NJ 07410
201-797-2718

Totalcomp
Components

www.totalcomp.com
sales@totalcomp.com
Fax 201-797-2287

Single Point



PC42

PC42 Flintec

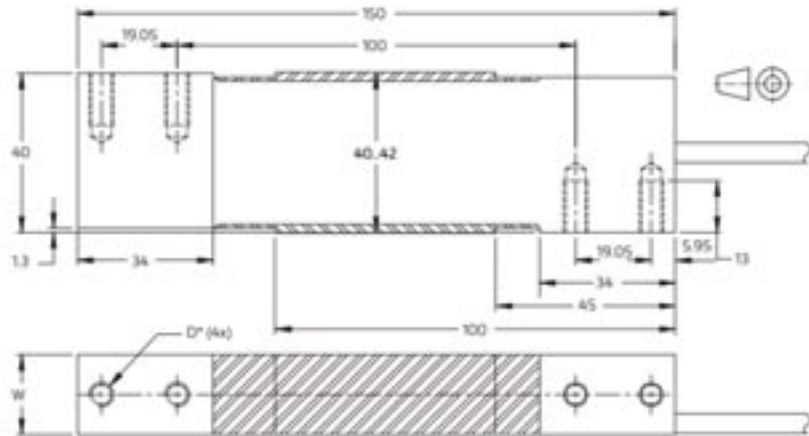
Interchanges w/Tedea 1040

2mv/v, 413 ohm input, 350 ohm output, 2m 6 wire cable anodized aluminum, potted IP67.

Part Number	Capacity	Nominal	Weight	Stock	List
PC42-5kg-C3	5 kg	10 lb	1.1 lb	2200	\$ 152.00
PC42-10kg-C3	10 kg	20 lb	1.1 lb	2201	152.00
PC42-20kg-C3	20 kg	40 lb	1.1 lb	2202	152.00
PC42-30kg-C3	30 kg	60 lb	1.1 lb	2203	152.00
PC42-50kg-C3	50 kg	100 lb	1.1 lb	2204	152.00
PC42-100kg-C3	100 kg	200 lb	1.1 lb	2205	152.00
PC42-200kg-C3	200 kg	400 lb	1.1 lb	2206	152.00

Single point

product dimensions (mm)



PC46

PC46 Flintec

Interchanges w/Tedea 1241

2mv/v, 406/350 ohm, 3m 6cond cable anodized aluminum, potted IP67.

Part Number	Capacity	Nominal	Weight	Stock	List
PC46-50kg-M-C3	50 kg	100 lb	2 lb	99	\$ 182.00
PC46-100kg-M-C3	100 kg	200 lb	2 lb	100	182.00
PC46-150kg-M-C3	150 kg	150 lb	2 lb	101	182.00
PC46-200kg-M-C3	200 kg	400 lb	2 lb	102	182.00
PC46-250kg-M-C3	250 kg	500 lb	2 lb	103	182.00

Prices are subject to change without notice. Please call for current prices.

Other items are available from the manufacturers, please call for quote.

Single Point

PCB Flintec, stainless steel

Interchangeable with Tedeo Model 1250, except the threads are UNC. Total **stainless steel** construction. Designed to withstand shock and fatigue loading.
2 mv/v, 1100/960 ohms, 10 ft 4 wire cable, **stainless steel**, IP68.
NTEP Legal for Trade 01-045

Part Number	Capacity	Nominal	Weight	Stock	List
PCB-C3-50kg *	50 kg	100 lb	13 lb	4884	\$ 989.00
PCB-C3-100kg	100 kg	200 lb	13 lb	4885	989.00
PCB-C3-250kg	250 kg	500 lb	13 lb	4886	989.00
PCB-C3-500kg	500 kg	1,000 lb	13 lb	4887	989.00
PCB-C3-1,000kg	1,000 kg	2,000 lb	13 lb	4888	989.00

* Not NTEP

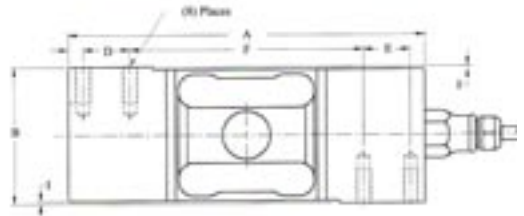
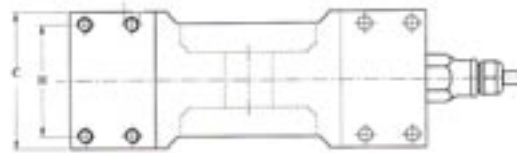


PCB



Dimensions in inches

Capacity	A	B	C	D	E	F	G	H	I	J
50kg-1000kg	7.50	2.90	2.90	0.31	0.98	4.92	0.25	2.36	0.06	5/16-18 UNC



Single point

Prices are subject to change without notice. Please call for current prices.

Other items are available from the manufacturers, please call for quote.

13-01 Pollitt Dr Ext
Fair Lawn NJ 07410
201-797-2718

Totalcomp
Components

www.totalcomp.com
sales@totalcomp.com
Fax 201-797-2287

Single Point

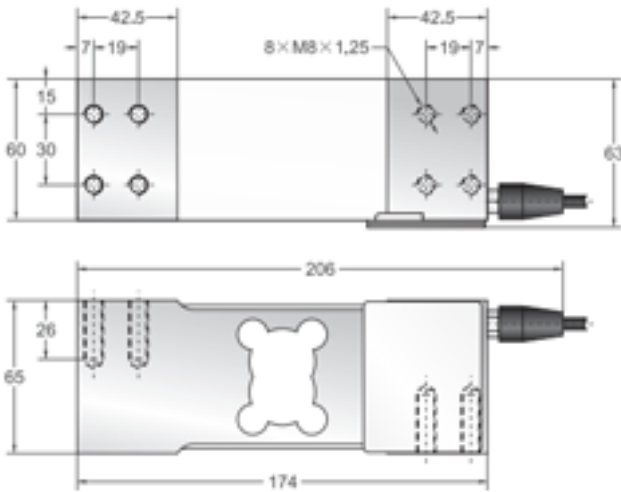


FAV Transcell

2 mv/v +/-10%, 410/350 ohms, 6m 4 wire cable, anodized aluminum, IP67.

Part Number	Capacity	Nominal	Weight	Stock	List
FAV-100kg	100kg	200 lb	5 lb	615	\$ 295.00
FAV-150kg	150kg	300 lb	5 lb	616	295.00
FAV-250kg	250kg	500 lb	5 lb	617	295.00
FAV-500kg	500kg	1000 lb	5 lb	618	295.00

FAV
Single Point



Single point



FASB Transcell

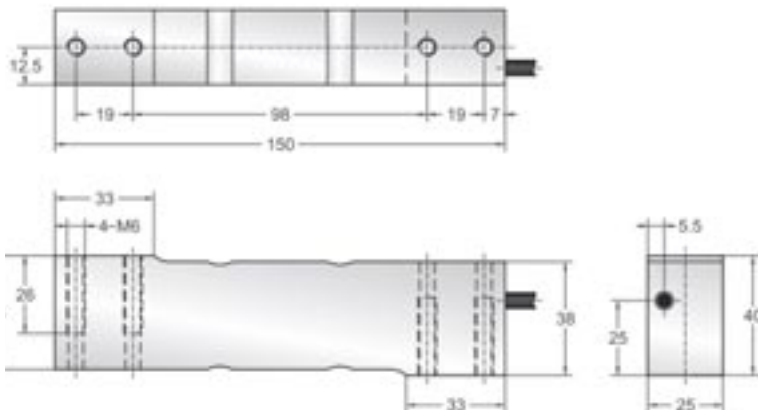
2 mv/v +/-10%, 410/350 ohms, 6m 4 wire cable, anodized aluminum, IP67.

Part Number	Capacity	Nominal	Weight	Stock	List
FASB-45CE	45kg	90 lb	2 lb	420	\$ 205.00
FASB-100CE	100kg	200 lb	2 lb	421	205.00
FASB-200C4	200kg	5400 lb	3 lb	422	250.00

FASB CE
Single Point



FASB C4
Single Point



Prices are subject to change without notice. Please call for current prices.

Other items are available from the manufacturers, please call for quote.

Single Point

462 Revere

2 mv/v, 350/350 ohms, 10 ft 4 wire cable, nickel plated steel. IP67.

Part Number	Capacity	Weight	Stock	List
462-D3-2-10P1	2 lb	3 lb	86	\$ 615.51
462-D3-5-10P1	5 lb	3 lb	87	615.51
462-D3-10-10P1	10 lb	3 lb	88	615.51
462-D3-20-10P1	20 lb	3 lb	89	615.51
462-D3-50-10P1	50 lb	5 lb	90	646.86
462-D3-100-10P1	100 lb	5 lb	91	646.86
462-D3-250-10P1	250 lb	5 lb	92	667.76

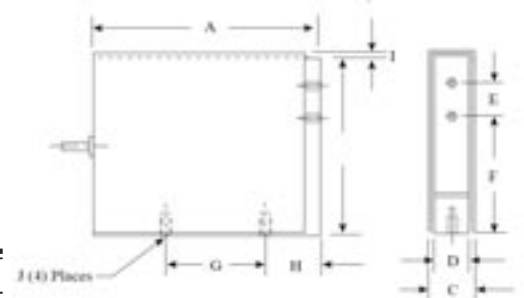


462

Single point

Dimensions in inches

Capacity	A	B	C	D	E	F	G	H	I	J
2-20 lb	5.13	4.00	1.25	0.75	0.75	2.60	2.20	0.91	0.05	1/4-28 UNF
50-100 lb	6.00	4.68	1.90	1.00	1.00	2.60	2.20	1.16	0.05	3/8-24 UNF
250 lb	6.00	4.60	1.90	1.00	1.50	2.35	2.20	1.16	0.05	3/8-24 UNF



HPS Revere

Hermetically sealed. Lb unit has (2) mtg holes on top and (2) mtg holes on bottom, 1/4-20 thread with 3/4" spacing. Kg unit has (4) thru mtg holes 0.254" dia. The kg unit is 2 mv/v and the lb unit is 3 mv/v. IP67.

2 & 3 mv/v, 390/350 ohms, 10 ft 4 wire cable, stainless steel.

Part Number	Capacity	Nominal	Weight	Stock	List
3 mv/v (lb)					
HPS-25	25 lb		3 lb	680	\$ 689.03
HPS-50	50 lb		3 lb	681	642.68
HPS-100	100 lb		3 lb	687	873.79
HPS-D3-50-10TB cable in tube	50 lb		3 lb	685	971.35
2 mv/v (kg)					
HPS-6kg	6 kg	12 lb	3 lb	610	689.03
HPS-15kg	15 kg	30 lb	3 lb	611	689.03



HPS

Metric dimensions OIML R60 Approved 3,000 div 20 ft 4 wire cable

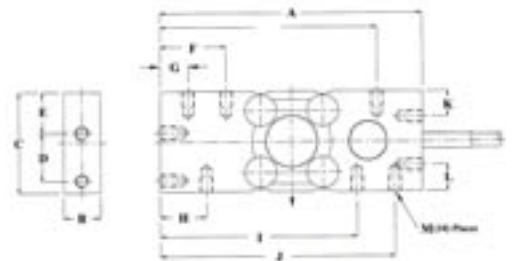
HPSM-6kg	6 kg	12 lb	3 lb	1696	689.03
HPSM-12kg	12 kg	24 lb	3 lb	1697	689.03
HPSM-30kg	30 kg	60 lb	3 lb	1705	689.03
HPSM-60kg	60 kg	120 lb	3 lb	1706	1,049.00

Dimensions in inches

Capacity	A	B	C	D	E	F	G	H
6-30kg	5.11	0.72	1.96	0.94	0.78	1.28	0.53	0.88
60kg	5.11	2.36	1.96	0.94	0.78	1.28	0.53	0.88

Dimensions in inches continued

Capacity	I	J	K	L	M
6-30kg	3.84	4.58	0.51	0.51	M6
60kg	3.84	4.58	0.51	0.51	M6



Prices are subject to change without notice. Please call for current prices.

Other items are available from the manufacturers, please call for quote.

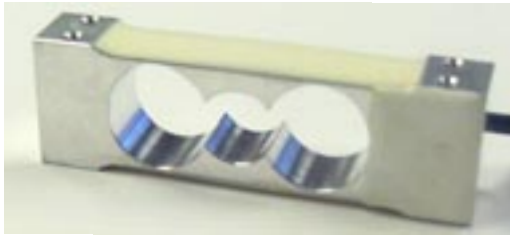
13-01 Pollitt Dr Ext
Fair Lawn NJ 07410
201-797-2718

Totalcomp
Components

www.totalcomp.com
sales@totalcomp.com
Fax 201-797-2287

195

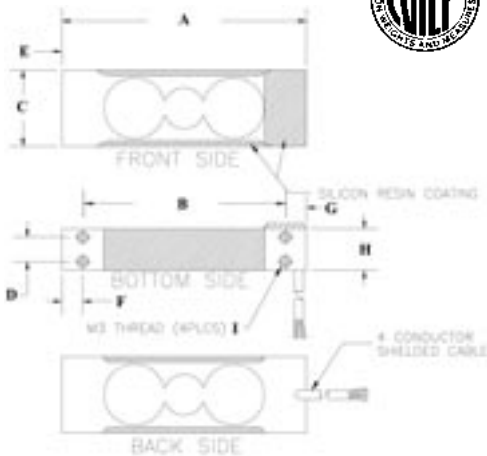
Single Point



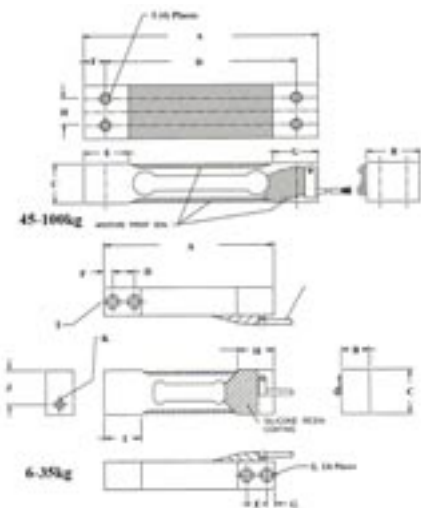
CB17



C2G1



CB17



C2G1

CB17 & C2G1 NMB

Interchangeable with BLH C2G1 and Scaime EP used in Eaton/Consolidated Controls bases and Fairbanks 4900 Series scales. M3 thread mounting hole 0.6kg to 3kg. M6 thread mounting hole 6kg to 100kg. 1 mv/v +/-10%(.6 to 3kg), 2 mv/v +/-10%(6 to 100kg), 0.02% nonlinearity(0.015 for 6 to 100kg), 420/350 ohms, 15" 4 wire cable, anodized aluminum. NTEP Legal for Trade 92-084

Part Number	Capacity	Nominal	Weight	Stock	List
CB17-0.6	0.6 kg	1.3 lb	1 lb	2285	\$ 344.00
CB17-1	1 kg	2.2 lb	1 lb	2286	344.00
CB17-2	2 kg	4.4 lb	1 lb	2287	344.00
CB17-3	3 kg	6.6 lb	1 lb	2288	344.00
C2G1-6	6 kg	13.2 lb	1 lb	2289	800.00
C2G1-10	10 kg	22.0 lb	1 lb	2290	800.00
C2G1-12	12 kg	26.5 lb	1 lb	2291	800.00
C2G1-15	15 kg	33.1 lb	1 lb	2292	800.00
C2G1-20	20 kg	44.1 lb	1 lb	2293	800.00
C2G1-25	25 kg	55.1 lb	1 lb	2294	877.00
C2G1-30	30 kg	66.1 lb	1 lb	2295	877.00
C2G1-35	35 kg	77.2 lb	1 lb	2296	877.00
C2G1-45	45 kg	99.2 lb	1 lb	2297	877.00
C2G1-60	60 kg	132.0 lb	2 lb	2298	877.00
C2G1-100	100 kg	220.0 lb	2 lb	2299	1,666.00

CB17 is not NTEP

Dimensions in inches

CB17

Capacity	A	B	C	D	E	F	G	H	I
600g-3kg	2.76	1.97	0.87	0.28	0.39	0.24	0.55	0.47	M3

Dimensions in inches

C2G21

Capacity	A	B	C	D	E	F	G	H	I
6kg-35kg	5.90	0.98	1.57	0.75	0.75	0.28	0.28	1.97	3/8-16 UNC
45kg-100kg	10.23	1.57	1.73	8.35	1.96	0.94	1.96	1.18	M6

Prices are subject to change without notice. Please call for current prices.

Other items are available from the manufacturers, please call for quote.

Single Point

U2D1 NMB

Interchangeable with BLH U2D1 used in Fairbanks 4500 Series Counting scales and 4700 Series Checkweigher Over/Under scales. M4 thread mounting holes 3kg to 20kg. M6 thread mounting holes 25kg to 50kg. M8 thread mounting holes 100kg. Moisture proof sealant and protective cover plates are standard
2 mv/v, 400/350 ohms, 0.3m 4 wire cable, anodized aluminum.

Part Number	Capacity	Nominal	Weight	Stock	List
U2D1-F-3	3 kg	7 lb	1 lb	306	\$ 2,276.00
U2D1-F-6	6 kg	13 lb	1 lb	307	2,276.00
U2D1-F-10	10 kg	22 lb	1 lb	308	2,276.00
U2D1-F-15	15 kg	33 lb	1 lb	309	2,276.00
U2D1-F-25	25 kg	55 lb	2 lb	311	2,380.00



U2D1-F-20

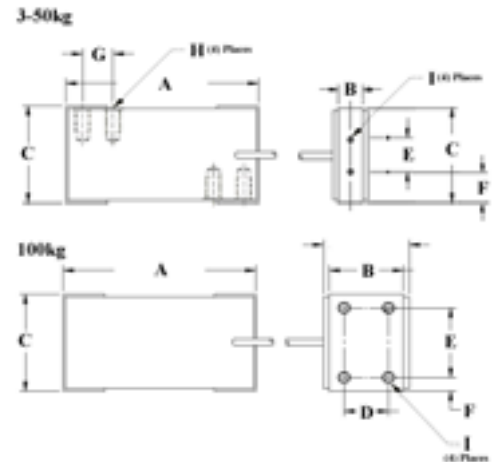


U2D1-F-100

Single point

Dimensions in inches

Capacity	A	B	C	D	E	F	G	H	I
3kg-20kg	5.12	0.71	2.76	----	0.94	0.91	0.47	M5	M4
25kg-50kg	5.12	1.18	2.76	----	0.94	0.91	----	----	M6
100kg	5.12	1.97	2.76	1.18	1.97	0.39	----	----	M8



Prices are subject to change without notice. Please call for current prices.

Other items are available from the manufacturers, please call for quote.

13-01 Pollitt Dr Ext
Fair Lawn NJ 07410
201-797-2718

Totalcomp
Components

www.totalcomp.com
sales@totalcomp.com
Fax 201-797-2287

Single Point



AG



AG Scaime

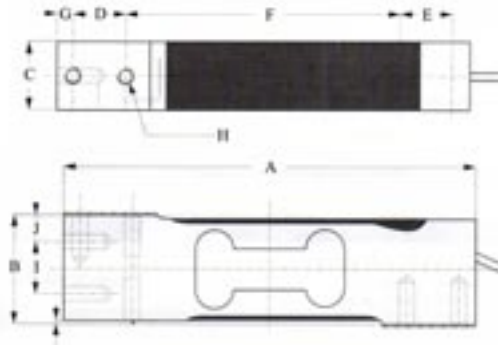
Interchangeable with Tedea Model 1040. Mounting screws are 1/4-20 UNC(coarse) with 3/4" spacing on both top and bottom.
2 mv/v, 415/350 ohms, 3m 6 wire cable, anodized aluminum. IP67
NTEP Legal for Trade 91-051 5kg - 100kg

Part Number	Capacity	Nominal	Weight	Stock	List
AG-1 *	1 kg	2 lb	2 lb	2679	\$ 320.00
AG-2.5 *	2.5 kg	5 lb	2 lb	2680	320.00
AG-5	5 kg	10 lb	2 lb	351	320.00
AG-10	10 kg	20 lb	2 lb	352	320.00
AG-15	15 kg	30 lb	2 lb	353	320.00
AG-20	20 kg	40 lb	2 lb	2681	320.00
AG-30	30 kg	60 lb	2 lb	354	320.00
AG-50	50 kg	100 lb	2 lb	356	320.00
AG-75	75 kg	150 lb	2 lb	2682	320.00
AG-100	100 kg	200 lb	2 lb	357	320.00

* Not NTEP

Dimensions in inches

Capacity	A	B	C	D	E	F	G	H
5kg-150kg	5.90	1.57	1.16	0.75	0.75	3.94	0.25	1/4-20 UNC



AH Single Point

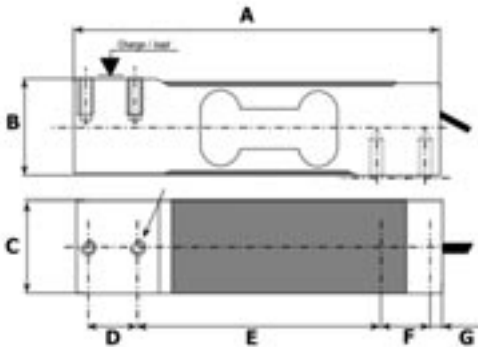
AH Scaime

2 mv/v, 400/350 ohms, 3m 6 wire cable, anodized aluminum, IP65.

Part Number	Capacity	Nominal	Weight	Stock	List
AH-50kg	50kg	100 lb	2 lb	394	\$ 275.00
AH-100kg	100kg	200 lb	2 lb	395	275.00
AH-200kg	200kg	400 lb	2 lb	396	275.00

Dimensions in inches

Capacity	A	B	C	D	E	F	G
50kg-200kg	5.9	1.57	1.49	0.75	3.9	0.75	0.23



Prices are subject to change without notice. Please call for current prices.

Other items are available from the manufacturers, please call for quote.

Single Point

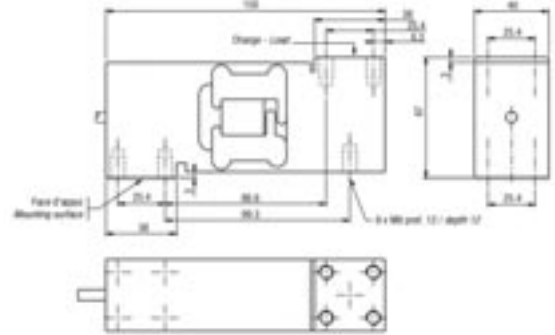
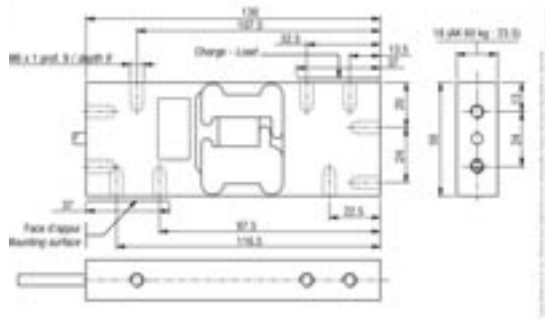
AK Scaime

Interchangeable with Revere HPS. Welded hermetically sealed stainless steel.
2 mv/v, 385/350 ohms, 10 ft 4 wire cable, **stainless steel**, IP68.
NTEP Legal for Trade

Part Number	Capacity	Nominal	Weight	Stock	List
AK6 C3 CH 12e	6 kg	12 lb	2.59 lb	5754	\$ 985.00
AK12 C3 CH 12e	12 kg	24 lb	2.59 lb	5755	985.00
AK30 C3 CH 12e	30 kg	60 lb	2.59 lb	5430	985.00
AK60 C3 CH 12e	60 kg	120 lb	2.59 lb	5431	985.00
AK120 C3 CH 12e	120 kg	240 lb	2.59 lb	5432	1,355.00
AK300 C3 CH 12e	300 kg	600 lb	2.59 lb	5433	1,355.00



AK



Single point

AP Scaime

Interchangeable with Tedea Model 1250 but half the height.
2 mv/v, 410/350 ohms, 3m 4 wire cable, anodized aluminum, IP65.
NTEP Legal for Trade 00-133

Part Number	Capacity	Nominal	Weight	Stock	List
AP-75kg	75 kg	150 lb	3 lb	4796	\$ 490.00
AP-100kg	100 kg	200 lb	3 lb	4797	490.00
AP-150kg	150 kg	300 lb	3 lb	4798	490.00
AP-200kg	200 kg	400 lb	3 lb	4799	490.00
AP-250kg	250 kg	500 lb	3 lb	4800	490.00
AP-300kg	300 kg	600 lb	3 lb	4801	490.00
AP-500kg	500 kg	1,000 lb	3 lb	4802	490.00
AP-675kg	675 kg	1,270 lb	3 lb	4803	490.00

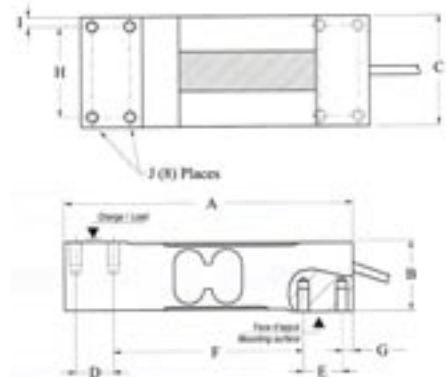


AP-500



Dimensions in inches

Capacity	A	B	C	D	E	F	G	H	I
75kg-675kg	7.48	1.85	2.87	0.98	0.98	4.92	0.29	2.36	M8



Prices are subject to change without notice. Please call for current prices.

Other items are available from the manufacturers, please call for quote.

13-01 Pollitt Dr Ext
Fair Lawn NJ 07410
201-797-2718

Totalcomp
Components

www.totalcomp.com
sales@totalcomp.com
Fax 201-797-2287

Single Point



AQ

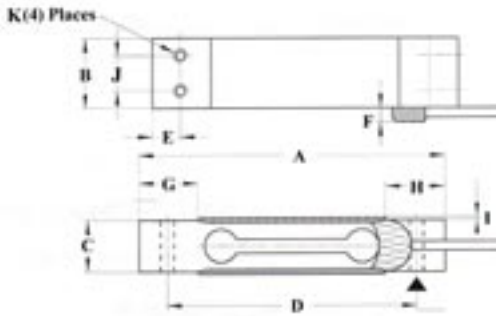


AQ & EP Scaime

Interchangeable with BLH C2G1 and NMB used in Eaton/Consolidated Controls bases and Fairbanks 4900 Series scales.
2 mv/v, 410/350 ohms, 0.5 m 4 wire cable, anodized aluminum, IP65.
NTEP Legal for Trade 02-005

Part Number	Capacity	Nominal	Weight	Stock	List
EP-2	2 kg	4 lb	1 lb	621	\$ 192.00
AQ-5	5 kg	10 lb	1 lb	623	232.00
AQ-10	10 kg	20 lb	1 lb	702	232.00
AQ-15	15 kg	30 lb	1 lb	397	232.00
AQ-35	35 kg	70 lb	1 lb	398	232.00

Single point



Dimensions in inches

Capacity	A	B	C	D	E	F	G	H	I	J	K
2kg-20kg	5.11	0.98	0.86	4.17	0.24	0.23	0.98	0.98	0.03	0.59	M6
35kg	5.11	1.57	0.86	4.17	0.24	0.23	0.95	0.95	0.03	0.59	M6



RLPBCB-60

RLPBCB-60 Rice Lake

Single point load cell for use in wet environments.
2 mv/v, 1,000/350 ohms, 10ft 4 wire cable, stainless steel, IP69K
NTEP Legal for Trade

Part Number	Capacity	Nominal	Weight	Stock	List
87022 RLPBCB-60	50 kg	100 lb	15 lb	2208	\$ 980.00
87023 RLPBCB-60	100 kg	200 lb	15 lb	2209	980.00
87024 RLPBCB-60	250 kg	500 lb	15 lb	2210	980.00
87025 RLPBCB-60	500 kg	1,000 lb	15 lb	2211	980.00
87026 RLPBCB-60	1,000 kg	2,000 lb	15 lb	2212	980.00



Rated Capacity	L	L1	L2	W	W1	H
kg/mm						
50-1000	190.5	107.0	35.0	73.7	50.0	73.7



Prices are subject to change without notice. Please call for current prices.

Other items are available from the manufacturers, please call for quote.

Single Point

B6E Zemic

2 mv/v, 406/350 ohms, ft 4 wire cable, **stainless steel**, IP67.

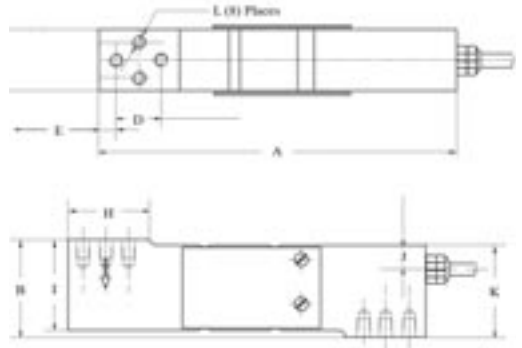
Part Number	Capacity	Nominal	Weight	Stock	List
B6E-C3-50kg	50 kg	100 lb	4 lb	7953	\$ 230.00
B6E-C3-75kg	75 kg	150 lb	4 lb	7954	230.00
B6E-C3-100kg	100 kg	200 lb	4 lb	7955	230.00
B6E-C3-150kg	150 kg	300 lb	4 lb	7956	230.00
B6E-C3-200kg	200 kg	400 lb	4 lb	7957	230.00
B6E-C3-250kg	250 kg	500 lb	4 lb	7958	230.00
B6E-C3-300kg	300 kg	600 lb	4 lb	7959	230.00

Dimensions in inches

Capacity	A	B	C	D	E	F	G	H	I	J	K	L
50kg-300kg	5.91	1.57	0.99	0.75	0.28	0.65	0.12	1.30	1.50	0.31	1.50	M6



B6E



Single point

B6G Zemic

Interchangeable with GC2L1 and Tedeia 1263.

2 mv/v, 409/350 ohms, 3m, 6 wire cable, **stainless steel**, IP65.

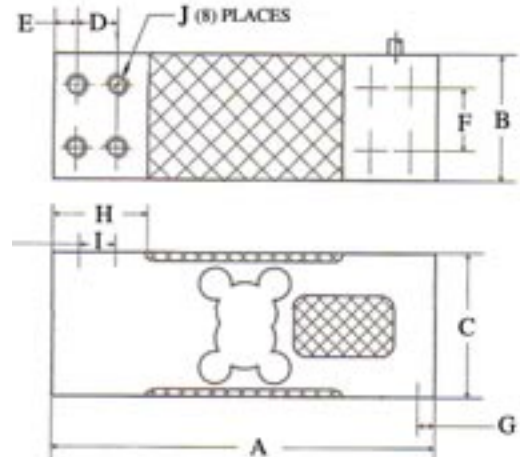
Part Number	Capacity	Weight	Stock	List
B6G-C3-100-3B6	100 kg	14 lb	7696	\$ 680.00
B6G-C3-150-3B6	150 kg	14 lb	7697	680.00
B6G-C3-200-3B6	200 kg	14 lb	7698	680.00
B6G-C3-250-3B6	250 kg	14 lb	7699	680.00
B6G-C3-300-3B6	300 kg	14 lb	7700	680.00
B6G-C3-500-3B6	500 kg	14 lb	7701	680.00
B6G-C3-600-3B6	600 kg	14 lb	7702	680.00

Dimensions in inches

Capacity	A	B	C	D	E	F	G	H	I	J
100kg-600kg	6.85	2.36	2.56	0.75	0.75	0.28	0.28	1.69	0.75	M8



B6G



Prices are subject to change without notice. Please call for current prices.

Other items are available from the manufacturers, please call for quote.

13-01 Pollitt Dr Ext
Fair Lawn NJ 07410
201-797-2718

Totalcomp
Components

www.totalcomp.com
sales@totalcomp.com
Fax 201-797-2287

Single Point

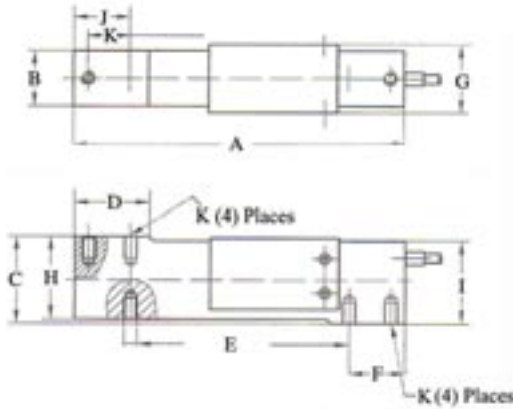


B6N

B6N Zemic

2 mv/v, 385/350 ohms, 1m, 6 wire cable, stainless steel, IP67.

Part Number	Capacity	Nominal	Weight	Stock	List
B6N-C3-15-1B6	15 kg	30 lb	3 lb	7674	\$ 429.00
B6N-C3-20-1B6	20 kg	40 lb	3 lb	7675	429.00
B6N-C3-30-1B6	30 kg	60 lb	3 lb	7676	429.00
B6N-C3-50-1B6	50 kg	100 lb	3 lb	7677	429.00
B6N-C3-75-1B6	75 kg	150 lb	3 lb	7678	429.00
B6N-C3-100-1B6	100 kg	200 lb	3 lb	7679	429.00
B6N-C3-150-1B6	150 kg	300 lb	3 lb	7680	429.00
B6N-C3-200-1B6	200 kg	400 lb	3 lb	7681	429.00



Dimensions in inches

Capacity	A	B	C	D	E	F	G	H	I	J	K	L
15kg-200kg	5.91	1.0	1.58	1.34	3.94	0.98	1.23	1.50	1.5	0.98	0.75	M6

Single point

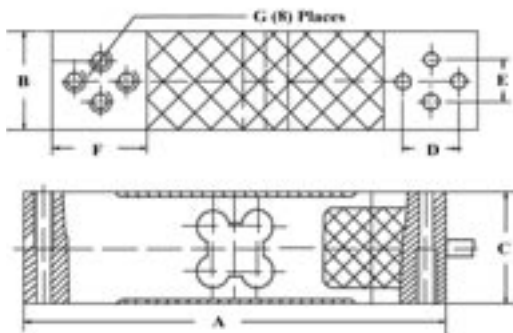


L6E

L6E Zemic

2 mv/v, 406/350 ohms, ft 4 wire cable, anodized aluminum, IP65.

Part Number	Capacity	Nominal	Weight	Stock	List
L6E-C3-50-2B	50 kg	100 lb	2 lb	7682	\$ 102.00
L6E-C3-60-2B	60 kg	120 lb	2 lb	7683	102.00
L6E-C3-80-2B	80 kg	160 lb	2 lb	7684	102.00
L6E-C3-100-2B	100 kg	200 lb	2 lb	7685	102.00
L6E-C3-150-2B	150 kg	300 lb	2 lb	7686	102.00
L6E-C3-200-2B	200 kg	400 lb	2 lb	7687	102.00
L6E-C3-300-2B	300 kg	600 lb	2 lb	7688	102.00



Dimensions in inches

Capacity	A	B	C	D	E	F	G
50kg-300kg	5.91	1.38	1.57	0.75	0.59	1.30	M6

Prices are subject to change without notice. Please call for current prices.

Other items are available from the manufacturers, please call for quote.

Single Point

L6G Zemic

Interchangeable with Tedea 1263.

2 mv/v, 409/350 ohms, 9 ft 6 wire cable, aluminum, IP65.

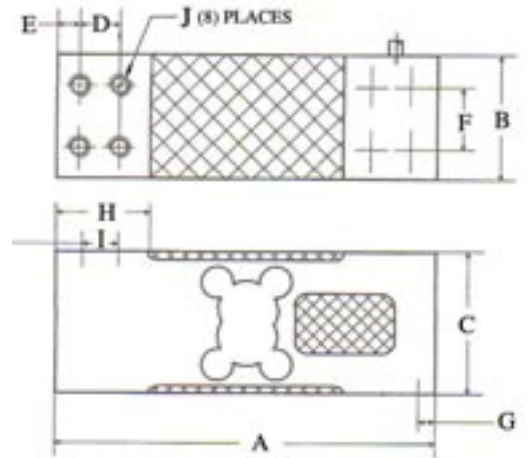
Part Number	Capacity	Nominal	Weight	Stock	List
L6G-C3-100-3B6	100 kg	200 lb	14 lb	7689	\$ 308.00
L6G-C3-150-3B6	150 kg	300 lb	14 lb	7690	308.00
L6G-C3-200-3B6	200 kg	400 lb	14 lb	7691	308.00
L6G-C3-250-3B6	250 kg	500 lb	14 lb	7692	308.00
L6G-C3-300-3B6	300 kg	600 lb	14 lb	7693	308.00
L6G-C3-500-3B6	500 kg	1,000 lb	14 lb	7694	308.00
L6G-C3-600-3B6	600 kg	1,200 lb	14 lb	7695	308.00



L6G

Dimensions in inches

Capacity	A	B	C	D	E	F	G	H	I	J
100kg-600kg	6.85	2.36	2.56	0.75	0.28	1.18	0.28	1.69	0.75	M8



Single point

BM6A Zemic

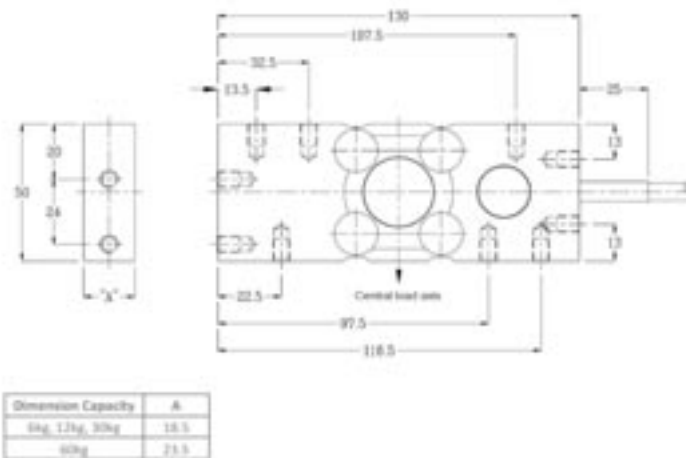
Interchangeable with Revere HPS.

2 mv/v, 400/350 ohms, 6m 6 wire cable, stainless steel, IP68.

Part Number	Capacity	Nominal	Weight	Stock	List
BM6A-C3-6kg-6B6	6 kg	12 lb	4 lb	1667	\$ 565.00
BM6A-C3-12kg-6B6	12 kg	24 lb	4 lb	1668	565.00
BM6A-C3-30kg-6B6	30 kg	60 lb	4 lb	1669	565.00
BM6A-C3-6kg-6B6	60 kg	120 lb	4 lb	1670	565.00



BM6A



Dimension	Capacity	A
14kg, 12kg, 30kg		18.5
60kg		21.5

All threads are M6 x 3 and 8 mm deep.

Prices are subject to change without notice. Please call for current prices.

Other items are available from the manufacturers, please call for quote.

13-01 Pollitt Dr Ext
Fair Lawn NJ 07410
201-797-2718

Totalcomp
Components

www.totalcomp.com
sales@totalcomp.com
Fax 201-797-2287

Single Point



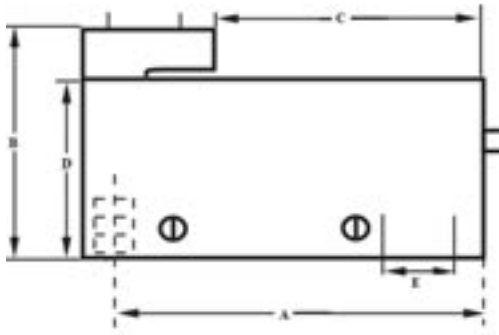
0505H

0505H Vishay

2 mv/v, 415/350 ohms, 6 wire cable, aluminum, IP65

Part Number	Capacity	Nominal	Weight	Stock	List
0505H-2kg	2 kg	4 lb	1 lb	1071	\$ 322.91

Fluid clamp



Dimensions in inches

Capacity	A	B	C	D	E
2kg	4.35	2.48	3.20	1.88	0.74

9010 Tedea Huntleigh, Fluid damped

Single point fluid damped load cell. For checkweighing, hopper and other high speed weighing applications where vibration and tare weight are concerns. These cells are not normally in stock and must be manufactured for each order. An application and order data sheet must be completed prior to placing an order. This data sheet needs information such as live load, dead load, type of vibration, required settling time, operating temperature, conveyor dimensions, belt speed, size of weighed product, direction of travel, tare weight distribution and position, center of gravity and loading position. Simply ask for a data sheet and it will be faxed to you.

Mounting base is 92mm x 199.5mm with (4) 7.0mm dia thru holes. Height is 115mm with (2) 1/4-20 mtg holes.

2 mv/v, 415/350 ohms, 1 m 6 wire cable, anodized aluminum.

Part Number	Capacity	Nominal	Weight	Stock	List
9010-3	3 kg	6 lb	8 lb	4487	\$ 923.78
9010-5	5 kg	10 lb	8 lb	4488	923.78
9010-7	7 kg	14 lb	8 lb	4489	923.78
9010-10	10 kg	20 lb	8 lb	4490	923.78
9010-15	15 kg	30 lb	8 lb	4491	923.78
9010-20	20 kg	40 lb	8 lb	4492	923.78
9010-30	30 kg	60 lb	8 lb	4493	923.78
9010-50	50 kg	100 lb	8 lb	4494	923.78

Dimensions in inches

Capacity	A	B	C	D	E	F	G	H
3-50 kg	7.85	4.53	3.62	3.83	0.39	0.75	4.71	2.81

Dimensions in inches continued

Capacity	I	J	K	L	M
3-50 kg	1.81	3.22	0.75	1/4-20 UNC	0.27

9010 Tedea, Fluid Damped, Stainless Steel

Single point fluid damped load cell. For checkweighing, hopper and other high speed weighing applications where vibration and tare weight are concerns. These cells are not normally in stock and must be manufactured for each order. An application and order data sheet must be completed prior to placing an order. This data sheet needs information such as live load, dead load, type of vibration, required settling time, operating temperature, conveyor dimensions, belt speed, size of weighed product, direction of travel, tare weight distribution and position, center of gravity and loading position. Simply ask for a data sheet and it will be faxed to you.

Mounting base is 92mm x 199.5mm with (4) 7.0mm dia thru holes. Height is 115mm with (2) 1/4-20 mtg holes.

2 mv/v, 415/350 ohms, 1 m 6 wire cable, **stainless steel**.

Part Number	Capacity	Nominal	Weight	Stock	List
9010-3kg	3 kg	6 lb	8 lb	1511	\$ 1,269.68
9010-5kg	5 kg	10 lb	8 lb	1512	1,269.68
9010-7kg	7 kg	14 lb	8 lb	1513	1,269.68
9010-10kg	10 kg	20 lb	8 lb	1514	1,269.68
9010-15kg	15 kg	30 lb	8 lb	1515	1,269.68
9010-20kg	20 kg	40 lb	8 lb	1516	1,269.68
9010-30kg	30 kg	60 lb	8 lb	1517	1,269.68
9010-50kg	50 kg	100 lb	8 lb	1518	1,269.68

Dimensions in inches

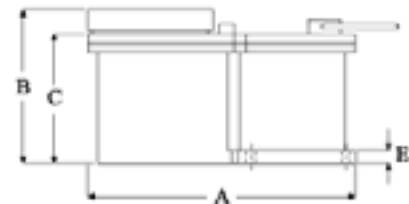
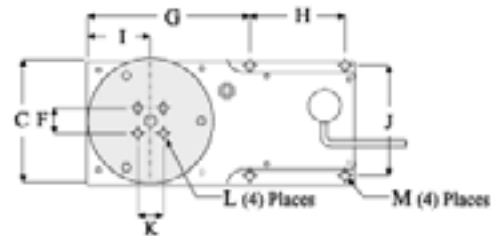
Capacity	A	B	C	D	E	F	G	H
3-50 kg	7.85	4.53	3.62	3.83	0.39	0.75	4.71	2.81

Dimensions in inches continued

Capacity	I	J	K	L	M
3-50 kg	1.81	3.22	0.75	1/4-20 UNC	0.27



9010



9010
Stainless steel



Prices are subject to change without notice. Please call for current prices.

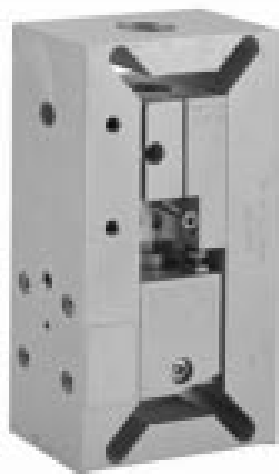
Other items are available from the manufacturers, please call for quote.

13-01 Pollitt Dr Ext
Fair Lawn NJ 07410
201-797-2718

Totalcomp
Components

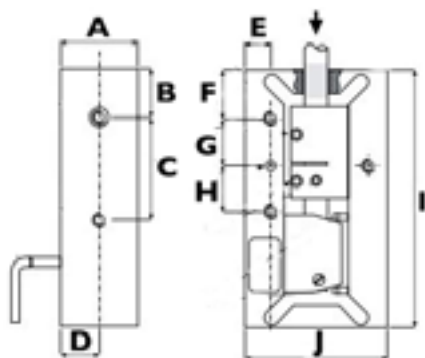
www.totalcomp.com
sales@totalcomp.com
Fax 201-797-2287

Fluid Damped



1410
rotary filling

Fluid damp



1410 Tedeia, rotary filling machine

Specifically designed for use in rotary filling machine.
2 mv/v, 415/350 ohm, 0.6m 4 wire cable, aluminum, IP67

Part Number	Capacity	Weight	Stock	List
1410-10kg-NAC1-70	10 kg	9 lb	403	\$ 984.39
1410-20kg-NAC1-70	20 kg	9 lb	404	984.39
1410-30kg-NAC1-70	30 kg	9 lb	405	984.39

Dimensions in inches

Capacity	A	B	C	D	E	F	G	H
10-30kg	1.9	1.24	2.59	0.96	0.50	1.24	1.18	1.18

Dimensions in inches continued

Capacity	I	J
5-30kg	6.55	3.6

AG Scaime, fluid damped

Single point fluid damped load cell. For checkweighing and other high speed weighing. Mounting base is 80 x 220mm with (4) 9mm dia thru holes 40 x 200mm. Height is 85mm with (2) M6 mtg holes. Height with 240 adapter is 115mm with the 240 bolt pattern. 2 mv/v, 410/350 ohms, 10 ft 6 wire cable, aluminum cell, IP65, **stainless steel** mount., IP65

NTEP Legal for Trade 5,000 div

Part Number	Capacity	Nominal	Weight	Stock	List
AG-5kg-5e-240	5 kg	10 lb	6 lb	3597	\$1,598.00
AG-10kg-5e-240	10 kg	20 lb	6 lb	3598	1,598.00
AG-15kg-5e-240	15 kg	30 lb	6 lb	3599	1,598.00
AG-20kg-5e-240	20 kg	40 lb	6 lb	3600	1,598.00
AG-30kg-5e-240	30 kg	60 lb	6 lb	3601	1,598.00

Options

AG Speed cell stainless steel cover	1 lb	3602	170.00
Adapter to Huntleigh 240 bolt pattern	1 lb	3596	224.00

Dimensions in inches

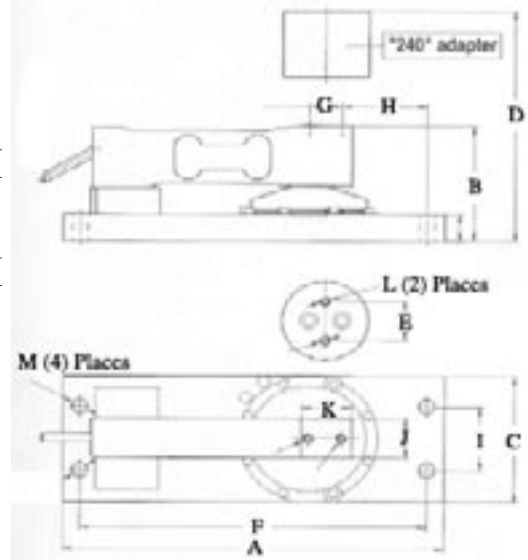
Capacity	A	B	C	D	E	F	G	H
5-30kg	8.66	2.87	3.14	4.52	0.98	7.87	0.75	1.92

Dimensions in inches continued

Capacity	I	J	K	L	M
5-30kg	1.57	0.98	1.14	M6	0.35



AG



Fluid damp

Prices are subject to change without notice. Please call for current prices.

Other items are available from the manufacturers, please call for quote.

13-01 Pollitt Dr Ext
Fair Lawn NJ 07410
201-797-2718

Totalcomp
Components

www.totalcomp.com
sales@totalcomp.com
Fax 201-797-2287

Fluid Damped



240



240 Tedeo, fluid damped

Single point fluid damped load cell. For checkweighing and other high speed weighing applications where washdown protection is required. Mounting base is 8.7" x 3.2" with (4) .35" dia thru holes. Height is 4.5" with (2) 1/4-20 mtg holes.

2 mv/v, 415/350 ohms, 3 m 6 wire cable, zinc passivated base, painted steel case, aluminum upper load bearing.

NTEP Legal for Trade 92-181

Part Number	Capacity	Nominal	Weight	Stock	List
US threads 1/4-20 mtg holes					
240-2 *	2 kg	4.4 lb	8 lb	360	\$ 756.58
240-3 *	3 kg	11 lb	8 lb	284	756.58
240-5	5 kg	11 lb	9 lb	361	756.58
240-7	7 kg	15 lb	9 lb	362	756.58
240-10	10 kg	22 lb	9 lb	363	756.58
240-15	15 kg	33 lb	9 lb	364	756.58
240-20	20 kg	44 lb	9 lb	365	756.58
240-30	30 kg	66 lb	9 lb	366	756.58
240-50	50 kg	110 lb	9 lb	367	756.58

Metric threads M6-1.0 mtg holes

240-2 w/metric thd *	2 kg	4.4 lb	8 lb	2355	756.58
240-3 w/metric thd *	3 kg	11 lb	8 lb	3976	756.58
240-5 w/metric thd	5 kg	11 lb	9 lb	3977	756.58
240-7 w/metric thd	7 kg	15 lb	9 lb	3978	756.58
240-10 w/metric thd	10 kg	22 lb	9 lb	3979	756.58
240-15 w/metric thd	15 kg	33 lb	9 lb	3980	756.58
240-20 w/metric thd	20 kg	44 lb	9 lb	3981	756.58
240-30 w/metric thd	30 kg	66 lb	9 lb	3982	756.58
240-50 w/metric thd	50 kg	110 lb	9 lb	3983	756.58

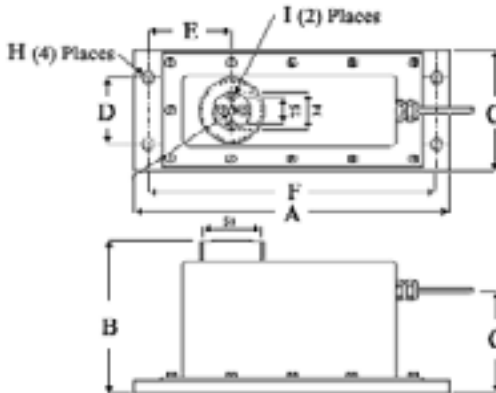
All stainless steel construction w/ 1/4-20 mtg holes

240-2-SS *	2 kg	4.4 lb	8 lb	1851	904.97
240-2-SS w/ 20 ft cable	2 kg	11 lb	11 lb	4575	886.32
240-3-SS *	3 kg	11 lb	8 lb	289	904.97
240-5-SS	5 kg	11 lb	9 lb	1852	904.97
240-7-SS	7 kg	15 lb	9 lb	1853	840.00
240-10-SS	10 kg	22 lb	9 lb	1854	904.97
240-15-SS	15 kg	33 lb	9 lb	1855	904.97
240-20-SS	20 kg	44 lb	9 lb	1856	904.97
240-30-SS	30 kg	66 lb	9 lb	1857	904.97
240-50-SS	50 kg	110 lb	9 lb	1858	904.97

* Not NTEP

All stainless steel construction w/metric threads MC mounted holes

240-2-SS w/ metric thd	2 kg	4 lb	8 lb	1698	904.97
240-3-SS w/ metric thd	3 kg	7 lb	9 lb	1699	904.97
240-5-SS w/ metric thd	5 kg	11 lb	9 lb	1700	904.97
240-7-SS w/ metric thd	7 kg	15 lb	9 lb	1701	904.97
240-20-SS w/ metric thd	20 kg	22 lb	9 lb	1702	904.97
240-30-SS w/ metric thd	30 kg	66 lb	9 lb	1703	904.97
240-50-SS w/ metric thd	50 kg	110 lb	9 lb	1704	904.97



Dimensions in inches

Capacity	A	B	C	D	E	F	G	H	I
2-50 kg	8.66	4.52	3.14	1.57	2.30	7.87	2.51	0.35	1/4-20 UNC

Prices are subject to change without notice. Please call for current prices.

Other items are available from the manufacturers, please call for quote.

Fluid Damped

260 Utilcell

Interchangeable with Tedeo 240. Stainless steel replacement for painted steel Tedeo 240. Single point fluid damped load cell. For checkweighing and other high speed weighing applications where washdown protection is required. Mounting base is 8.7" x 3.2" with (4) .35" dia thru holes. Height is 4.5" with (2) 1/4-20 mtg holes.

2 mv/v, 415/350 ohms, 3 m 6 wire cable, **stainless steel**, IP67

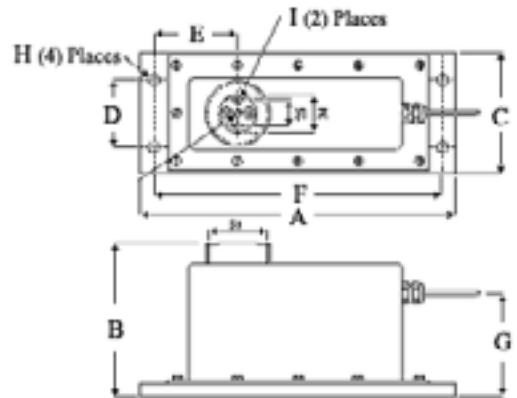
Part Number	Capacity	Nominal	Weight	Stock	List
260-2kg-US	2 kg	4 lb	8 lb	8246	\$ 729.00
260-3kg-US	3 kg	6 lb	8 lb	8247	689.00
26015kg-US	15 kg	30 lb	9 lb	8251	689.00
260-20kg-US	20 kg	40 lb	9 lb	8252	689.00
260-50kg-US	50 kg	100 lb	9 lb	8254	689.00



260

Dimensions in inches

Capacity	A	B	C	D	E	F	G	H	I
2-50 kg	8.66	4.52	3.14	1.57	2.30	7.87	2.51	0.35	1/4-20 UNC



Fluid damp

Prices are subject to change without notice. Please call for current prices.

Other items are available from the manufacturers, please call for quote.

13-01 Pollitt Dr Ext
Fair Lawn NJ 07410
201-797-2718

Totalcomp
Components

www.totalcomp.com
sales@totalcomp.com
Fax 201-797-2287

Foot cell



Fat Foot

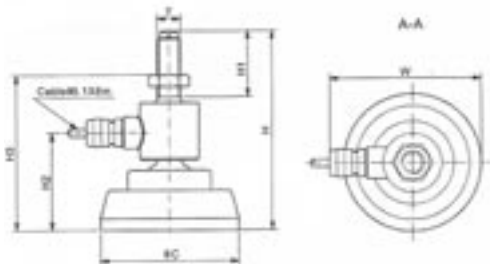
106MS Anyload Fat Foot

A scale foot that includes a load cell. Special applications will allow the use of this unique space saving load cell. Machines such as pallet wrappers and cardboard and paper bailers have used this foot load cell to save space and simplify installation. **Stainless steel** construction will work in harsh environments.

2 mv/v, 380/350 ohm, 6m 4 wire cable, **stainless steel**, IP67

Part Number	Capacity	Weight	Stock	List
106MS-F-1Klb-YZ	1,000 lb	2 lb	120	\$ 325.00
106MS-F-2.5Klb-YZ	2,500 lb	2 lb	121	325.00

Foot cell



Dimensions in inches

Capacity	C	H	H1	H2	H3	W	T
1,000-2,500 lb	2.76	3.99	1.32	1.96	2.99-3.90	3.03	1/2-20UNF



Fat Foot module

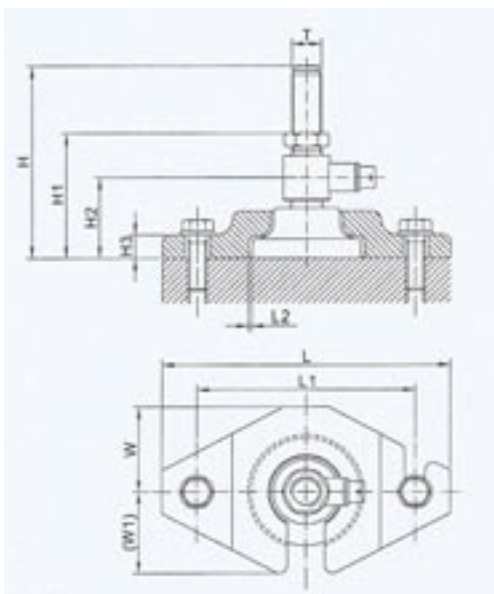
Fat Foot module Anyload

Alloy steel module will make the Fat Foot into a tank mount load cell. Center pivoted and self checking with 50% rated load antilifting protection. All direction for thermal expansion and contraction. Does not include Fat Foot load cell.

Part Number	Capacity	Weight	Stock	List
106MhM1-(1-2.5)Klb fat foot module	1-2.5K	3 lb	915	\$ 201.00

Dimensions in inches

Capacity	H	H1	H2	H3	L	L1	L2	W	W1	T
1K-2.5K	3.75	2.67-3.58	1.72	0.55	6.89	5.51	0.08	1.97	1.95	1/2-20UNF



Load Pins

KOSD Vishay

The KOSD load cell has a rugged design for harsh environment and is suitable for force measurement and overload protection. The sensing element consists of three sections, the two outer sections constitute supports and the middle section is the load sensing part.

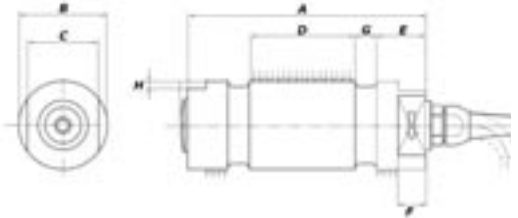
Part Number	Capacity	Weight	Stock	List
KOSD-0313	60kn	6 lb	712	\$1,575.00



0313

Dimensions in inches

Capacity	A	B	C	D	E	F	G	H
60kn	4.33	1.57	1.26	1.38	1.10	0.63	0.47	0.16



Load pin

Prices are subject to change without notice. Please call for current prices.

Other items are available from the manufacturers, please call for quote.

13-01 Pollitt Dr Ext
Fair Lawn NJ 07410
201-797-2718

 **Totalcomp**
Components

www.totalcomp.com
sales@totalcomp.com
Fax 201-797-2287

Load Pins



HTZ Web Tension module
Pillow block is not included

HTZ BLH Nobel

Rugged **stainless steel** 'I' beam sensing section. HTZ-3 Web Tension Measurement Modules are designed to mount directly below roller pillow blocks in new or existing installations. Factory calibration eliminates need for on-site test weights. Space required below the pillow block bearing is minimal effort. Modules are calibrated and certified with matched output signals to permit on-site, push-button system calibration.

Part Number	Capacity	Weight	Stock	List
HTZ-3-500	500 lb	10 lb	1288	\$ 1,947.00
HTZ-3-1k	1,000 lb	10 lb	1289	1,947.00
HTZ-3-2k	2,000 lb	15 lb	1290	2,160.00
HTZ-3-5k	5,000 lb	15 lb	1291	2,160.00
HTZ-3-10k	10,000 lb	35 lb	1292	2,556.00
HTZ-3-20k	20,000 lb	50 lb	1293	2,654.00
HTZ-3-50k	50,000 lb	75 lb	1294	3,663.00

Load Pins

535AHM2 Anyload load cell shackle

Shackle with a load cell built in. High Tensile anchor shackle. Bobbin design provides high accuracy and repeatability.

2.5 mv/v, 350/350 ohms, 6m 4 wire cable, alloy steel, IP67

Part Number	Capacity	Weight	Stock	List
535AHM2-10t	10,000kg	8 lb	2313	\$ 735.00
535AHM2-15t	15,000kg	12 lb	2314	962.00
535AHM2-20t	20,000kg	20 lb	2315	1,287.00

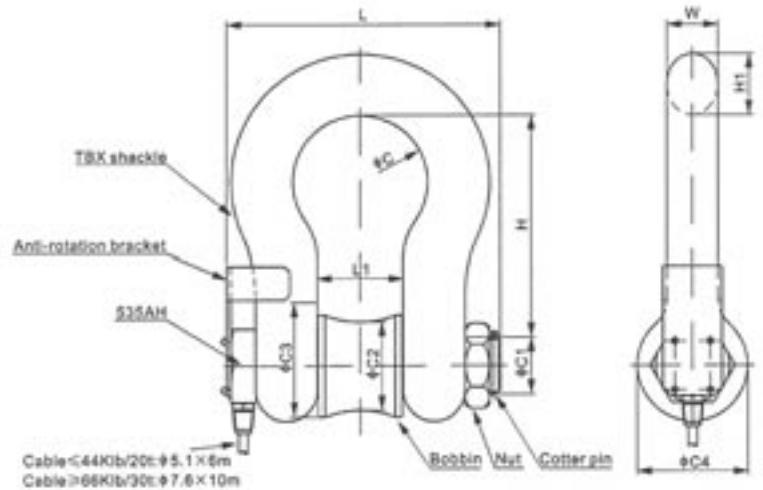


535AHM2 Shackle

Load pin

Dimensions in mm

Capacity	C	C1	C2	C3	C4	H	H1	L	L1	W
10t	58.5	30	45	50	60.5	95.0	27	146	43	25.5
15t	74.0	33	50	55	68.5	108.0	32	160	46	29.5
20t	92.0	39	58	65	84.0	133.5	38	186	57	36.0



Prices are subject to change without notice. Please call for current prices.

Other items are available from the manufacturers, please call for quote.

13-01 Pollitt Dr Ext
Fair Lawn NJ 07410
201-797-2718

Totalcomp
Components

www.totalcomp.com
sales@totalcomp.com
Fax 201-797-2287

Base



**DSS Series
Stainless Steel Scale Bases**



DSS Doran, stainless steel base

304 stainless steel construction to resist the corrosive effects of a wet environment. All square tube construction. Platters are fully removable for easy cleaning. Seven overload stops provide 250% protection shielding the load cell from damaging shock. Four adjustable feet and a bubble level to allow precise leveling in your work area. IP66 rated load cell. Two year warranty.

NTEP Legal for Trade 05-062

Part Number	Capacity	Load Cell	Weight	Stock	List
18" x 18" Platform x 5.25" high					
DSS3100	100 lb	1260-75kg	67 lb	6840	\$ 1,395.00
DSS3250	250 lb	1260-150kg	67 lb	6846	1,395.00
DSS3500	500 lb	1260-300kg	67 lb	6852	1,395.00
18" x 24" Platform x 5.25" high					
DSS4250	250 lb	1260-150kg	69 lb	6850	1,615.00
DSS4500	500 lb	1260-300kg	69 lb	6851	1,615.00
24" x 24" Platform x 5.25" high					
DSS5250	250 lb	1260-150kg	85 lb	6853	1,975.00
DSS5500	500 lb	1260-300kg	85 lb	6854	1,975.00
DSS51000	1000 lb	1260-500kg	85 lb	6855	1,975.00

Base



**DMS Series
Mild Steel Scale Bases**



DMS Doran, mild steel base

Heavy gauge steel construction. All square tube construction. Seven overload stops provide 250% protection shielding the load cell from damaging shock. Royal blue Epoxy paint. Four adjustable feet and a bubble level to allow precise leveling in your work area.

Two year warranty

NTEP Legal for Trade 05-062

Part Number	Capacity	Load Cell	Weight	Stock	List
18 x 18 Platform x 5.25" high					
DMS3100	100 lb	1260-75kg	65 lb	6856	\$ 925.00
DMS3250	250 lb	1260-250kg	65 lb	6857	925.00
24 x 24 Platform x 5.25" high					
DMS5250	250 lb	1260-250kg	83 lb	6861	1,150.00
DMS5500	500 lb	1260-300kg	83 lb	686	1,150.00
DMS51000	1000 lb	1260-500kg	83 lb	6863	1,150.00

Prices are subject to change without notice. Please call for current prices.

Other items are available from the manufacturers, please call for quote.

Base

doran

DXL7000 Scale base

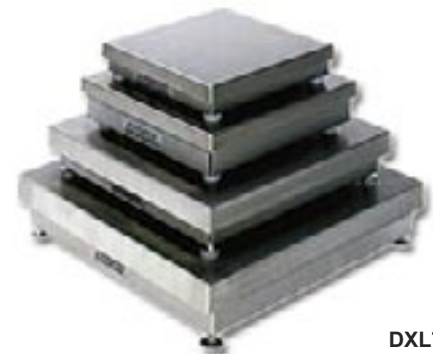
Stainless steel platform and base. Shockproof base with Quad Spring design that protects against shock and overload damage.

2 mv/v, 415/350 ohms, 10 ft 6 conductor cable, w/ Model 1022, 1042, 1260 load cell.

Canadian AM-5241

NTEP Legal for Trade 97-097

Part Number	Load Cell	Capacity	Weight	Stock	List
10" x 10" platform x 2" High					
DXL7002	1022-3kg	2 lb	13 lb	3706	\$ 690.00
DXL7005	1022-5kg	5 lb	13 lb	3649	690.00
12" x 12" platform x 3" High					
DXL8050	1042-30kg	50 lb	19 lb	3653	800.00
DXL8100	1042-75kg	100 lb	19 lb	3654	800.00
15" x 15" platform x 3" High					
DXL9050	1042-30kg	50 lb	34 lb	3033	1,120.00
DXL9100	1042-50kg	100 lb	34 lb	3034	1,120.00
DXL9200	1042-100kg	200 lb	34 lb	3035	1,120.00
Service Parts					
ENC 0148 platter	10" x 10"		3 lb	3671	85.71
LCP2203 load cell DXL7002		3kg	0.89 lb	2496	159.00



DXL7050



Atlas Column

Base

doran

Atlas Column

Heavy duty column for mounting any Doran indicator 7000M, 7000XLM, 8000XLM, 4300M to any Doran DXL or DSP base. Platform sizes 10" x 10" to 24" x 24". Column has a built in handle for easy carrying.

Part Number	Height	Weight	Stock	List
SUB0417 Atlas column	14"	8 lb	417	\$ 293.00
SUB0425 Atlas column	20"	12 lb	427	393.00
SUB0426 Atlas column	30"	16 lb	425	626.00



Atlas Column
w/o Indicator and Base

Prices are subject to change without notice. Please call for current prices.

Other items are available from the manufacturers, please call for quote.

13-01 Pollitt Dr Ext
Fair Lawn NJ 07410
201-797-2718

Totalcomp
Components

www.totalcomp.com
sales@totalcomp.com
Fax 201-797-2287



6400 Series
Remote Base
Optional Stainless (upper)
Powder coat finish (lower)



6400 Pennsylvania, remote scale base

Heavy duty cast construction Powder coat finish steel base. Uses Teda 1260 single point load cells. For use with Pennsylvania Counting scales as a remote platform. Optional stainless steel construction is available.

2 mv/v, 0.01% nonlinearity, 415/350 ohms, 10 ft 6 conductor cable

NTEP Legal for Trade 90-161

Canada AM-4714 Rev. 4 5,000 div

Part Number	Height	Capacity	Cell(s)	Weight	Stock	List
18" x 18" Platform						
6400-1818-100 *	5"	100 lb	50 kg	65 lb	6592	\$ 850.00
6400-1818-250	5"	250 lb	150 kg	65 lb	6593	850.00
6400-1818-500	5"	500 lb	250 kg	65 lb	6594	850.00
6400-1818-1000	5"	1,000 lb	500 kg	65 lb	6595	850.00
18" x 24" Platform						
6400-1824-100 *	5"	100 lb	50 kg	75 lb	6596	950.00
6400-1824-250	5"	250 lb	75 kg	75 lb	6597	950.00
6400-1824-500	5"	500 lb	250 kg	75 lb	6598	950.00
6400-1824-1000	5"	1,000 lb	500 kg	75 lb	6599	950.00
24" x 24" Platform						
6400-2424-100 *	5"	100 lb	50 kg	85 lb	6600	1,050.00
6400-2424-250	5"	250 lb	150 kg	85 lb	6601	1,050.00
6400-2424-500	5"	500 lb	250 kg	85 lb	6602	1,050.00
6400-2424-1000	5"	1,000 lb	500 kg	85 lb	6603	1,050.00

* Not NTEP

Options

SS Top cover 18" x 18"	6 lb	4285	358.00
SS Top cover 18" x 24"	8 lb	4286	385.00
SS Top cover 24" x 24"	12 lb	4287	495.00
56750-10 Ball top transfer plate 18" x 18"	26 lb	6604	385.00
56750-8 Ball top transfer plate 18" x 24"	26 lb	6605	435.00
56750-9 Ball top transfer plate 24" x 24"	26 lb	6606	578.00



6900 Pennsylvania, barrel weighing base

Clean compact low profile design and rugged construction. For use with Pennsylvania Counting scales as a remote platform. Optional stainless steel construction is available.

6900 is permanent unit. It includes (1) detachable ramp, (1) indicator column and mounting plate for indicator. Indicator is not included. Flat portion is 30" x 30" or 36" x 36". Side rails are live. Overall size is 30" x 36" or 36" x 42".

6950 is a permanent unit. It includes a flat platform with (2) built in ramps. Adjustable leveling feet. Flat portion is 30" x 30". Live side rails and integral ramps have overall dimensions 36" x 48"

2 mv/v (1K unit is 1 mv/v), 415/350 ohms, 20 ft 6 conductor cable, IP67.

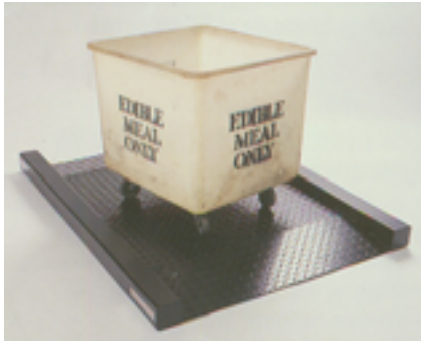
Part Number	Height	Capacity	Nominal	Weight	Stock	List
Permanent detachable ramp, column & mounting for indicator						
M6900-3030-1K	1.5"	1,000 lb	30" x 30"	250 lb	6612	\$ 2,595.00
M6900-3030-2K	1.5"	2,000 lb	30" x 30"	250 lb	6613	2,595.00
M6900-3636-1K	1.5"	1,000 lb	36" x 36"	250 lb	6452	2,695.00
M6900-3636-2K	1.5"	2,000 lb	36" x 36"	250 lb	6453	2,695.00
Permanent w/live side rails and built in ramps						
M6950-3030-1K	1.5"	1,000 lb	30" x 30"	250 lb	6614	2,695.00
M6950-3030-2K	1.5"	2,000 lb	30" x 30"	250 lb	6615	2,695.00

Options

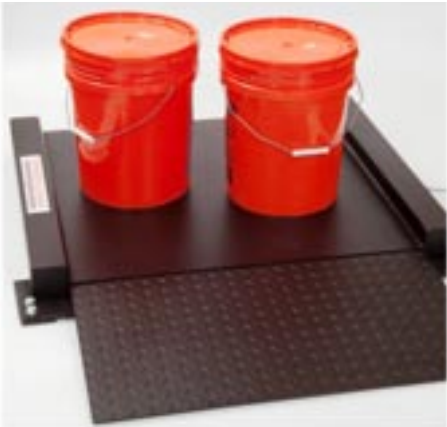
SS construction for 6950, price adder 6455 6,495.00



**M69PB Series
Barrel Weighing Base
Shown w/ optional
indicator**



**6950 Series
Barrel Weighing Base
built in ramps**



M6900

Base

Prices are subject to change without notice. Please call for current prices.

Other items are available from the manufacturers, please call for quote.



7000 Series
Remote Base



7000 Pennsylvania, remote scale base

Heavy duty cast construction or fabricated design for 8" x 8" size. Stainless steel platform cover. Painted steel base. Uses Tedeo 1260 single point load cells. For use with Pennsylvania Counting scales as a remote platform.

2 mv/v, 415/350 ohms, 10 ft 6 conductor cable

NTEP Legal for Trade 91-149

Canada AM-4869 Rev. 2 5,000 div

Part Number	Height	Capacity	Cell(s)	Weight	Stock	List
8" x 8" Platform						
7000-2 lb *	3.5"	2 lb	1 kg	8 lb	6582	\$ 600.00
7000-5 lb *	3.5"	5 lb	2.5 kg	8 lb	6583	600.00
* Not NTEP						
12" x 14" Platform						
7000-10 lb	4"	10 lb	5 kg	18 lb	6584	600.00
7000-20 lb	4"	20 lb	10 kg	18 lb	6585	600.00
7000-50 lb	4"	50 lb	30 kg	18 lb	6586	600.00
7000-100 lb	4"	100 lb	50 kg	18 lb	6587	600.00
7000-150 lb	4"	150 lb	75 kg	18 lb	6588	600.00
7000-200 lb	4"	100 kg	100 kg	18 lb	6589	600.00

Options

56750-11 Ball top transfer plate 12" x 14"				26 lb	6590	248.00
For 50 lb and higher capacity, factory installed						



Defender Ohaus, rectangular base

Stainless steel platform. Tubular welded painted steel frame. Aluminum load cell.
NTEP Legal for Trade 08-021

Part Number	Height	Capacity	Nominal	Weight	Stock	List
14" x 12" Platform						
D30BR	4.8"	60 x 0.01 lb	50 kg	25 lb	2721	\$ 879.00
D60BR	4.8"	150 x 0.02 lb	100 kg	25 lb	2722	879.00
21.6" x 16.5" Platform						
D150BL	5.4"	300 x 0.05 lb	150 kg	41 lb	2724	906.00
25.6" x 19.7" Platform						
D150BX	5.6"	300 x 0.05 lb	150 kg	71 lb	2709	1,014.00
D300BX	5.6"	600 x 0.1 lb	300 kg	71 lb	2710	1,014.00



Defender Basic
Rectangular Scale Base

Base

Prices are subject to change without notice. Please call for current prices.

Other items are available from the manufacturers, please call for quote.

13-01 Pollitt Dr Ext
Fair Lawn NJ 07410
201-797-2718

Totalcomp
Components

www.totalcomp.com
sales@totalcomp.com
Fax 201-797-2287



TBT Platform Mild Steel



TBT Totalcomp, painted mild steel base

Painted mild steel base and heavy gauge **stainless steel** pan. Aluminum or nickel plated steel load cell. Integral overload protection is provided for both static and dynamic overloads. Adjustable rubber feet. Bubble level.

2 mv/v, 405/350 ohms, 9 ft 6 conductor cable.

NTEP Legal for Trade 14-050

Part Number	Load Cell	Capacity	Weight	Stock	List
12" x 12" Platform x 4.25" High w/ aluminum load cell.					
TBT-1212-15	GS1022-15 kg	15 lb	30 lb	5782	\$ 295.00
TBT-1212-30	GS1022-30 kg	30 lb	30 lb	5783	295.00
TBT-1212-50	1022-50kg	50 lb	30 lb	5784	325.00
TBT-1212-100	L6E-100 kg	100 lb	30 lb	5786	325.00

16" x 16" Platform x 4.75" High w/ aluminum load cell.					
TBT-1616-50-CS	L6E-50 kg	50 lb	30 lb	7751	241.00
TBT-1616-100-CS	L6E-100 kg	100 lb	30 lb	7752	241.00
TBT-1616-200-CS	L6E-200 kg	200 lb	30 lb	7753	241.00
TBT-1616-400-CS	L6E-300 kg	400 lb	30 lb	7754	241.00

18" x 18" Platform x 5.5" High w/ aluminum load cell.					
TBT-1818-100-CS	L6E3-100 kg	100 lb	70 lb	7151	339.00
TBT-1818-200-CS	L6E3-200 kg	200 lb	70 lb	7152	339.00
TBT-1818-300-CS	L6E3-300 kg	300 lb	70 lb	7450	339.00

24" x 24" Platform x 5.5" high w/ aluminum load cell.					
TBT-2424-100-CS	L6G-100 kg	100 lb	82 lb	7755	558.00
TBT-2424-200-CS	L6G-200 kg	200 lb	82 lb	7756	558.00
TBT-2424-250-CS	L6G-250 kg	250 lb	82 lb	7757	558.00
TBT-2424-300-CS	L6G-300 kg	300 lb	82 lb	7615	558.00
TBT-2424-500-CS	L6G-500 kg	500 lb	82 lb	7758	558.00
TBT-2424-1000-CS	L6G-600 kg	1,000 lb	82 lb	7759	558.00

Options

TBT-1616 SS pole and bracket 23" high			4 lb	7662	63.80
TBT-2424 SS pole and bracket 26" high			4 lb	7663	68.40

Service Parts

Foot for 16" x 16" & 24" x 24"

TBT-M12-SPB-SS foot M12, 2 3/4" dia			1 lb	7660	5.80
TBT-M12-PB-MS foot M12, 2 3/4" dia			1 lb	7666	5.92

Corner bumper, internal 9.5x9.5, 12x12, 12x14			1 lb	6011	9.68
Corner bumper, internal 16 x 16, 18 x 18, 24 x 24			1 lb	6012	7.26
Flat bumper, internal 16 x 16, 18 x 18, 24 x 24			1 lb	6013	7.26
Flat bumper, round, internal 12 x 12, 12 x 14, 16 x16, 24 x 24			1 lb	7121	6.00

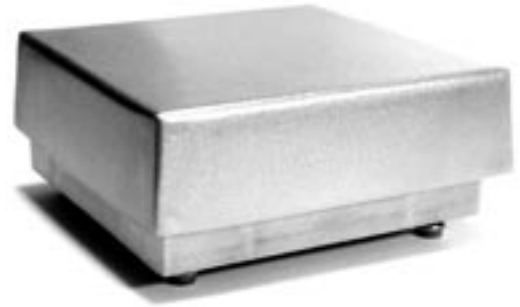


TPB Totalcomp, Carbon steel base

Platform aluminum load cell. Carbon steel subframe with heavy gauge **stainless steel** cover.

2 mv/v, 415/350 ohms, 9 ft 6 conductor cable, IP67
NTEP Legal for Trade 00-126

Part Number	Capacity	Load Cell	Weight	Stock	List
12" x 12" Platform x 4" High					
TPB-1212-50-CS	50 lb	1040-50 kg	36 lb	3898	\$ 750.00
TPB-1212-100-CS	100 lb	1040-75 kg	36 lb	3899	750.00
18" x 18" Platform x 4" High					
TPB-1818-50-CS	50 lb	1040-50 kg	57 lb	3904	1,250.00
Service Parts					
912-00003 foot 1/4-20 <200 lb			1 lb	3285	25.70
912-00005 foot >=200 lb			1 lb	3286	94.28



TPB-1212-50-CS



Internal view
TPB-1212-50-CS

Base



TBT-SS
Platform Base
Stainless Steel



Base



TBT-99
Platform Base
Stainless Steel

TBT-SS Totalcomp, stainless steel base

All stainless steel base and heavy guage stainless steel pan. Stainless steel load cell. Integral overload protection is provided for both static and dynamic overloads. Adjustable rubber feet. Bubble level.

2 mv/v, 385/350 ohms, 9 ft 6 conductor cable IP67.

NTEP Legal for Trade 14-050

Part Number	Load Cell	Capacity	Weight	Stock	List
-------------	-----------	----------	--------	-------	------

9.5" x 9.5" Platform x 2.25" High

TBT-99-6-SS	GS1022-5kg-SS	6 lb	10 lb	7348	\$ 299.00
TBT-99-15-SS	GS1022-15kg-SS	15 lb	10 lb	7630	299.00
TBT-99-30-SS	GS1022-30kg-SS	30 lb	10 lb	7631	299.00

12" x 12" Platform x 4.25" High

TBT-1212-15-SS	B6N-15 kg	15 lb	27 lb	7731	509.00
TBT-1212-30-SS	B6N-30 kg	30 lb	27 lb	7732	509.00
TBT-1212-50-SS	B6N-50 kg	50 lb	27 lb	7733	509.00

TBT-1212-100-SS	B6N-100 kg	100 lb	27 lb	7734	509.00
TBT-1212-200-SS	B6N-200 kg	200 lb	27 lb	7735	509.00

12" x 14" Platform x 4.25" High

TBT-1214-15-SS	B6N-15 kg	15 lb	30 lb	7736	527.00
TBT-1214-30-SS	B6N-30 kg	30 lb	30 lb	7737	527.00
TBT-1214-50-SS	B6N-50 kg	50 lb	30 lb	7738	527.00

TBT-1214-100-SS	B6N-100 kg	100 lb	30 lb	7739	527.00
TBT-1214-200-SS	B6N-200 kg	200 lb	30 lb	7740	527.00

16" x 16" Platform x 4.25" High

TBT-1616-15-SS	B6N-15 kg	15 lb	32 lb	7741	544.00
TBT-1616-30-SS	B6N-30 kg	30 lb	32 lb	7742	544.00
TBT-1616-50-SS	B6N-50 kg	50 lb	32 lb	7743	544.00

TBT-1616-100-SS	B6N-100 kg	100 lb	32 lb	7744	544.00
TBT-1616-300-SS	B6N-200 kg	200 lb	32 lb	7745	544.00

18" x 18" Platform x 4.25" High

TBT-1818-100-SS	B6E3-100 kg-SS	100 lb	87 lb	7111	671.00
TBT-1818-200-SS	B6E3-200 kg-SS	200 lb	87 lb	7117	671.00
TBT-1818-300-SS	B6E3-300 kg-SS	300 lb	87 lb	7118	671.00

24" x 24" Platform x 4.25" High

TBT-2424-100-SS	B6G-100 kg	100 lb	87 lb	7746	935.00
TBT-2424-200-SS	B6G-200 kg	200 lb	87 lb	7747	935.00
TBT-2424-250-SS	B6G-250 kg	250 lb	87 lb	7748	935.00

TBT-2424-300-SS	B6G-300 kg	300 lb	87 lb	7342	935.00
TBT-2424-500-SS	B6G-500 kg	500 lb	87 lb	7749	935.00
TBT-2424-1000-SS	B6G-600 kg	1,000 lb	87 lb	7750	935.00

Options

TBT-1212/1214-SS pole and bracket 8" high	4 lb	7661	46.50
TBT-1616/2424-SS pole and bracket 23" high	4 lb	7662	63.80
TBT-1616/2424-SS pole and bracket 26" high	4 lb	7663	68.40

Service Parts

Foot for 12" x 12" + 12" x 14"

TBT-M10-SPB-SS foot M10, 2 1/8" dia	1 lb	7673	5.68
-------------------------------------	------	------	------

Foot for 16" x 16" + 24" x 24"

TBT-M12-SPB-SS foot M12, 2 3/4" dia	1 lb	7660	5.80
TBT-M12-PB-MS foot M12, 2 3/4" dia	1 lb	7666	5.92

Prices are subject to change without notice. Please call for current prices.

Other items are available from the manufacturers, please call for quote.



TPB-SS Totalcomp, stainless steel base

Platform aluminum load cell. All **stainless steel** substructure with heavy gauge stainless steel cover. Integral overload protection is provided for both static and dynamic overloads. 2 mv/v, 415/350 ohms, 9 ft 6 conductor cable, IP67
NTEP Legal for Trade 00-126

Part Number	Load Cell	Capacity	Weight	Stock	List
12" x 12" Platform x 4" High					
TPB-1212-50-SS	1040-50 kg	50 lb	36 lb	3925	\$ 955.00
18" x 18" Platform x 4" High					
TPB-1818-150-SS	1040-100 kg	150 lb	7 lb	3933	1,215.00
18" x 18" Platform x 5.25" High					
TPB-1818-300-SS	1250-200 kg	300 lb	70 lb	3935	1,315.00
24" x 24" Platform x 5.25" High					
TPB-2424-500-SS	1250-300 kg	500 lb	120 lb	3947	1,905.00

Service Parts

912-00003 foot 1/4-20 <200 lb	1 lb	3285	25.70
912-00005 foot >=200 lb	1 lb	3286	94.28

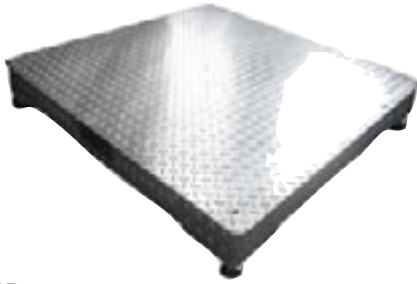


TPB-1212-50-SS



Internal view
TPB-1212-50-SS

Base



TGB
Galvanized Floor Scale Base



Bottom view
Galvanized steel
floor scale base



Internal view
junction box
Galvanized base

Galvanized Totalcomp, floor base

Galvanized floor scale with checkered safety tread plate is a great alternative to stainless steel platforms. Hot-Zinc coating galvanization provides the most effective and economical way of protecting steel against corrosion. Galvanized steel offers a unique combination of properties unmatched by any other material. Hot-Dip galvanizing is a process where the steel is immersed in a tub of molten zinc, resulting in a metallurgically bonded alloy coating that protects the steel from corrosion. Galvanized floor scales are used where moisture and dampness present at the installation site. Our galvanized floor scales are equipped with standard stainless steel hermetically sealed load cells, stainless steel captured ball feet and a stainless steel junction box.

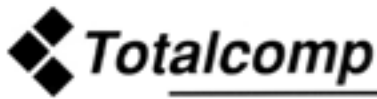
Part Number	Size	Capacity	Load Cell	Weight	Stock	List
TGB-44-5K	4' x 4'	5,000 lb	2,500 lb	330 lb	6019	\$ 1,715.00
TGB-44-10K	4' x 4'	10,000 lb	10,000 lb	330 lb	6020	1,715.00

Options

TGB-44 Ramp, galvanized				175 lb	6028	629.00
-------------------------	--	--	--	--------	------	--------

Service Parts

DSB-2.5K-SSH load cell				4 lb	7083	245.00
DSB-5KSE-SSH load cell				4 lb	7085	245.00
DS-JB-4-SS junction box				2 lb	32	100.00
CBBF-1/2-20x1-7/8-SS Beam Feet				1 lb	4864	64.80



Heavy duty base Totalcomp, stainless steel

Sturdy smooth deck construction for heavy usage. Constructed of 304 stainless steel, with stainless steel load cells and a NEMA 4X stainless steel junction box. Optional **stainless steel** ramps. Adjustable height, minimum 3.75" to 4.75" maximum height.

NTEP Legal for Trade 16-016

Part Number	Size	Capacity	Load Cell	Weight	Stock	List
T2x2-1K-SS*	2' x 2'	1,000 lb	500 lb	80 lb	3384	\$ 2,924.00
T2x2-2K-SS*	2' x 2'	2,000 lb	1,000 lb	80 lb	3385	2,924.00
T30x30-1K-SS*	30" x 30"	1,000 lb	500 lb	140 lb	3386	5,194.00
T30x30-2K-SS*	30" x 30"	2,000 lb	1,000 lb	140 lb	3387	3,568.00
T3x3-2K-SS	3' x 3'	2,000 lb	1,000 lb	200 lb	3388	3,853.00
T3x3-5K-SS	3' x 3'	5,000 lb	2,500 lb	120 lb	3389	1,714.00
T4x4-5K-SS	4' x 4'	5,000 lb	2,500 lb	190 lb	3390	2,256.00
T4x4-10K-SS	4' x 4'	10,000 lb	5,000 lb	190 lb	3391	2,256.00
T4x5-5K-SS	4' x 5'	5,000 lb	2,500 lb	380 lb	3392	4,408.00
T4x5-10K-SS	4' x 5'	10,000 lb	5,000 lb	380 lb	3393	4,408.00
T4x6-5K-SS *	4' x 6'	5,000 lb	2,500 lb	430 lb	3394	4,587.00
T4x6-10K-SS *	4' x 6'	10,000 lb	5,000 lb	430 lb	3395	4,587.00
T5x5-5K-SS	5' x 5'	5,000 lb	2,500 lb	455 lb	3396	5,416.00
T5x5-10K-SS	5' x 5'	10,000 lb	5,000 lb	405 lb	3397	3,695.00
T5x7-5K-SS *	5' x 7'	5,000 lb	2,500 lb	690 lb	3398	7,661.00
T5x7-10K-SS *	5' x 7'	10,000 lb	5,000 lb	690 lb	3399	7,661.00
T5x7-20K-SS *	5' x 7'	20,000 lb	10,000 lb	1,630 lb	3400	9,991.00

* Not NTEP

Options

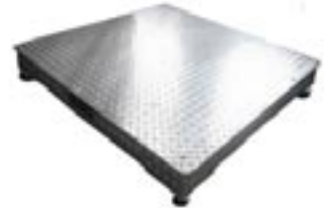
Ramps, stainless steel

TR-22-SS-10	2' x 2'	10,000 lb		65 lb	3401	1,451.00
TR-33-SS-10	3' x 3'	10,000 lb		125 lb	3402	1,548.00
TR-44-SS-10	4' x 4'	10,000 lb		220 lb	3404	1,812.00
TR-54-SS-10	5' x 4'	10,000 lb		270 lb	3406	2,523.00
TR-54-SS-20	5' x 4'	20,000 lb		475 lb	3408	4,500.00

Service Parts

IDS950-4 Summing Junction Box				1 lb	3942	100.00
DBF 1/2-20-SS beam foot				1 lb	4313	36.00
TSB-2.5K-SS load cell for 5K base		2,500 lb		3 lb	2264	339.63
TSB-5K-SE-SS load cell for 10K base		5,000 lb		3 lb	2266	339.63

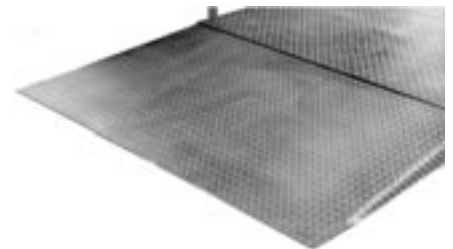
Prices for Heavy Duty Stainless Steel Scale Bases are FOB Factory



T4x4-5K-SS
Stainless steel
floor scale base

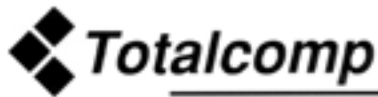


Bottom view
Stainless steel
floor scale base



Ramp

Base



Heavy Duty Totalcomp, floor base

Extra rugged with sturdy deck and channel construction. Checkered safety tread deck. Powder coat finish on sizes up to 48" x 48". Industrial Enamel on sizes over 48" x 48". Load cells are NTEP approved. 20 ft cable to indicator. Optional ramps. Adjustable height, minimum 3.75" to 4.75" maximum height. NTEP Legal for Trade 16-016



T4x4-5K-HD

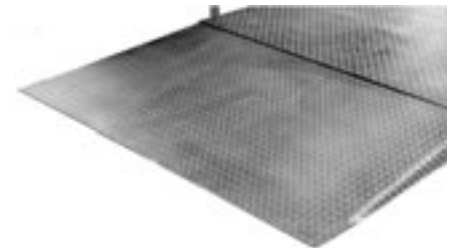


Part Number	Size	Capacity	Load Cell	Weight	Stock	List
T2x2-1K-HD	2' x 2'	1,000 lb	500 lb	95 lb	2080	\$ 795.00
T2x2-2K-HD	2' x 2'	2,000 lb	1,000 lb	95 lb	2081	795.00
T2x2-3K-HD	2' x 2'	3,000 lb	1,500 lb	95 lb	2082	795.00
T2x2-5K-HD	2' x 2'	5,000 lb	2,500 lb	95 lb	2083	795.00
T2.5x2.5-1K-HD	2.5' x 2.5'	1,000 lb	500 lb	102 lb	7857	521.00
T2.5x2.5-2K-HD	2.5' x 2.5'	2,000 lb	1,000 lb	102 lb	7858	521.00
T3x3-1K-HD	3' x 3'	1,000 lb	500 lb	136 lb	7859	850.00
T3x3-2K-HD	3' x 3'	2,000 lb	1,000 lb	136 lb	3418	850.00
T3x3-3K-HD	3' x 3'	3,000 lb	1,500 lb	136 lb	4371	850.00
T3x3-5K-HD	3' x 3'	5,000 lb	2,500 lb	136 lb	3419	850.00
T4x4-5K-HD	4' x 4'	5,000 lb	2,500 lb	225 lb	3433	950.00
T4x4-10K-HD	4' x 4'	10,000 lb	5,000 lb	225 lb	3434	950.00
T4x5-5K-HD	4' x 5'	5,000 lb	2,500 lb	315 lb	3435	1,225.00
T4x5-10K-HD	4' x 5'	10,000 lb	5,000 lb	315 lb	3436	1,225.00
T4x6-5K-HD	4' x 6'	5,000 lb	2,500 lb	350 lb	3437	1,325.00
T4x6-10K-HD	4' x 6'	10,000 lb	5,000 lb	350 lb	3438	1,325.00
T4x8-10K-HD	4' x 8'	10,000 lb	5,000 lb	400 lb	2084	1,725.00
T5x5-5K-HD	5' x 5'	5,000 lb	2,500 lb	345 lb	3440	1,075.00
T5x5-10K-HD	5' x 5'	10,000 lb	5,000 lb	345 lb	3441	1,075.00
T5x7-10K-HD	5' x 7'	10,000 lb	5,000 lb	445 lb	3443	1,875.00
T5x8-10K-HD	5' x 8'	10,000 lb	5,000 lb	385 lb	2085	1,995.00
T6x6-10K-HD	6' x 6'	10,000 lb	5,000 lb	445 lb	3445	2,990.00
T7x7-10K-HD	7' x 7'	10,000 lb	5,000 lb	525 lb	2086	2,650.00
Options						
3' x 2' Ramp steel safety tread				130 lb	5716	229.00
4' x 3' Ramp steel safety tread				150 lb	5712	329.00
4' x 4' Ramp steel safety tread				175 lb	5704	595.00
5' x 4' Ramp steel safety tread				218 lb	5726	666.00
Factory calibration of indicator to base					4739	70.00
Service Parts						
IDS950-4 Summing Junction Box				1 lb	3942	100.00
DBF 1/2-20 beam foot				1 lb	2522	28.00
TSB-2.5K load cell for 5K base		2,500 lb		3 lb	2253	308.28
TSB-5K-SE load cell for 10K base		5,000 lb		3 lb	2255	308.28



Base

Underside showing load cell and structure

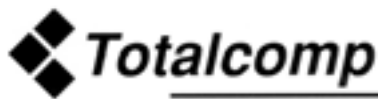


Ramp

Prices for Heavy Duty Floor Scale Bases are FOB Factory

Prices are subject to change without notice. Please call for current prices.

Other items are available from the manufacturers, please call for quote.



Versadeck polyethylene base

Versadeck Polyethylene floor base

Removable 1" thick polyethylene Butcher Block top. **Stainless Steel** low profile scale base. Junction box is **stainless steel** for washdown protection.

Part Number	Size	Capacity	Weight	Stock	List
TV-3030-1-LT	30" x 30" x 4"	1,000 lb	105 lb	4163	\$ 4,181.00
TV-3030-2-LT	30" x 30" x 4"	2,000 lb	105 lb	4164	4,181.00
TV-33-1-LT	3' x 3' x 4"	1,000 lb	140 lb	4165	5,052.00
TV-33-2-LT	3' x 3' x 4"	2,000 lb	140 lb	4166	5,052.00
TV-44-5-LT	4' x 4' x 4"	5,000 lb	210 lb	4167	5,506.00
TV-45-5-LT	4' x 5' x 4"	5,000 lb	300 lb	4169	5,929.00
TV-45-5-LT	4' x 6' x 4"	5,000 lb	325 lb	4171	6,216.00
TV-55-5-LT	5' x 5' x 4"	5,000 lb	380 lb	4173	5,929.00
TV-57-5-LT	5' x 7' x 4"	5,000 lb	465 lb	4175	7,261.00

Stainless steel ramps (width x length)

TR-3030-10R	30" x 30"	10,000 lb	95 lb	4177	1,548.00
TR-33-10R	3' x 3'	10,000 lb	125 lb	4178	1,548.00
TR-44-10R	4' x 4'	10,000 lb	220 lb	4179	1,812.00
TR-54-10R	5' x 4'	10,000 lb	270 lb	4180	2,523.00

Prices for Versadeck polyethylene floor scale bases are FOB Factory

Base



Versadeck polyethylene base
High pressure hose cleaning

Prices are subject to change without notice. Please call for current prices.

Other items are available from the manufacturers, please call for quote.



TLB Totalcomp, low profile base

Low profile base. Polished stainless steel cover. Powder coated steel base. Uses Flintec planar beam load cells. Leveling feet are vibration absorbent and anti-skid.
10" x 10":

1 mv/v, 0.04% combined error, 390/390 ohms, 10 ft 6 conductor cable, IP65

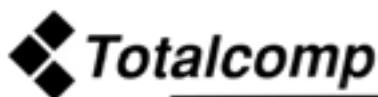
Part Number	Height	Capacity	Cell(s)	Weight	Stock	List
10" x 10" Platform						
TLB-1010-6	1"	6 lb	3 kg	15 lb	5701	\$ 295.00



TLB-1010-6

Prices are subject to change without notice. Please call for current prices.

Other items are available from the manufacturers, please call for quote.



TDB
Portable Drum Scale

TDB Totalcomp, portable drum base

TDB platform is made out of industrial weight heavy duty 1/4" checkered thread steel plate baked powder painted. Two built in folding ramps are low enough to get the hand truck on with ease. Lifting handle and built in wheels for easy moving. Platform uses standard (4) 3 mv/v, 350 ohm load cells and stainless steel signal trim summing junction box. For easy leveling, top bubble level is included. Live rail makes the weighing surface even larger than 36". Select an indicator from our line of indicators and we will calibrate for you. Platform 36" x 36", ramps are 10", overall w/ ramps 44" x 56" x 3"H.

Part Number	Min Height	Capacity	Cell(s)	Weight	Stock	List
TDB-1K	2.25"	1,000 lb	500 lb	148 lb	5426	\$ 1,251.70
TDB-2.5K	2.25"	2,500 lb	1,000 lb	148 lb	5428	1,251.70
TDB-5K	2.25"	5,000 lb	2,500 lb	155 lb	5429	1,395.80

Floor Scale Kit



TFK

Floor Kit

TFK Totalcomp, floor scale kit

Build your own floor scale with quality components. Each floor scale kit includes:
 1.(4) TSB single ended beam load cells, nickel plated steel, NTEP Legal for Trade
 2.(4) beam feet, alloy steel
 3.(1) CSB Compact summing junction box, **stainless steel**
 4.20 ft 6 conductor cable.

Part Number	Cell Cap	Base Cap	Weight	Stock	List
TFK-250 *	250 lb	500 lb	17 lb	3188	\$ 1,101.00
TFK-500 *	500 lb	1,000 lb	17 lb	3189	1,101.00
TFK-1K	1,000 lb	2,000 lb	17 lb	3190	1,101.00
TFK-1.5K	1,500 lb	3,000 lb	17 lb	3191	1,101.00
TFK-2K	2,000 lb	4,000 lb	17 lb	3192	1,101.00
TFK-2.5K	2,500 lb	5,000 lb	17 lb	3193	1,101.00
TFK-4K	4,000 lb	8,000 lb	17 lb	3194	1,101.00
TFK-5KSE	5,000 lb	10,000 lb	17 lb	3195	1,101.00
TFK-5K	5,000 lb	10,000 lb	28 lb	3196	1,814.00
TFK-10K	10,000 lb	20,000 lb	28 lb	3197	1,814.00

* Not NTEP

Prices are subject to change without notice. Please call for current prices.

Other items are available from the manufacturers, please call for quote.

13-01 Pollitt Dr Ext
 Fair Lawn NJ 07410
 201-797-2718


 Components

www.totalcomp.com
 sales@totalcomp.com
 Fax 201-797-2287

Floor Scale Kit



Floor kit

TFK-SS



TFK-SS Totalcomp, floor scale kit

Build your own floor scale with quality components. Each floor scale kit includes:

- 1.(4) TSB-SS single ended beam load cells, **stainless steel**, NTEP Legal for Trade
- 2.(4) beam feet, **stainless steel**
- 3.(1) CSB Compact summing junction box, **stainless steel**
- 4.20 ft 6 conductor cable.

Part Number	Cell Cap	Base Cap	Weight	Stock	List
TFK-250-SS *	250 lb	500 lb	20 lb	3178	\$ 1,701.00
TFK-500-SS *	500 lb	1,000 lb	20 lb	3179	1,701.00
TFK-1K-SS	1,000 lb	2,000 lb	20 lb	3180	1,701.00
TFK-1.5K-SS	1,500 lb	3,000 lb	20 lb	3181	1,701.00
TFK-2K-SS	2,000 lb	4,000 lb	20 lb	3182	1,701.00
TFK-2.5K-SS	2,500 lb	5,000 lb	20 lb	3183	1,701.00
TFK-4K-SS	4,000 lb	8,000 lb	20 lb	3184	1,701.00
TFK-5KSE-SS	5,000 lb	10,000 lb	20 lb	3185	1,701.00
TFK-5K-SS	5,000 lb	10,000 lb	32 lb	3186	2,102.00
TFK-10K-SS	10,000 lb	20,000 lb	32 lb	3187	2,102.00

* Not NTEP

Prices are subject to change without notice. Please call for current prices.

Other items are available from the manufacturers, please call for quote.

Floor Scale Kit



GSFK

Floor Kit

GSFK General Sensor, floor scale kit

Build your own floor scale with economically priced components. Each floor scale kit includes:

- 1.(4) GSB single ended beam load cells, nickel plated steel, NTEP Legal for Trade
- 2.(4) beam feet, rigid rubber
- 3.(1) GS-JB-4-SS Summing junction box, **stainless steel**
- 4.20 ft 6 conductor cable.

Part Number	Cell Cap	Base Cap	Weight	Stock	List
GSFK-250 *	250 lb	500 lb	17 lb	2851	\$ 982.00
GSFK-500 *	500 lb	1,000 lb	17 lb	2852	982.00
GSFK-1K	1,000 lb	2,000 lb	17 lb	2854	982.00
GSFK-1.5K	1,500 lb	3,000 lb	17 lb	2855	982.00
GSFK-2K	2,000 lb	4,000 lb	17 lb	2856	982.00
GSFK-2.5K	2,500 lb	5,000 lb	17 lb	2857	982.00
GSFK-4K	4,000 lb	8,000 lb	17 lb	2858	982.00
GSFK-5KSE	5,000 lb	10,000 lb	17 lb	2859	982.00
GSFK-5K	5,000 lb	10,000 lb	28 lb	2860	1,424.00
GSFK-10K	10,000 lb	20,000 lb	28 lb	2861	1,424.00

* Not NTEP

Prices are subject to change without notice. Please call for current prices.

Other items are available from the manufacturers, please call for quote.

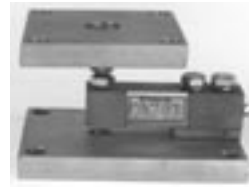
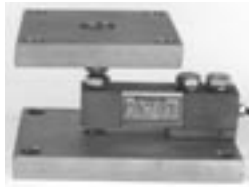
13-01 Pollitt Dr Ext
Fair Lawn NJ 07410
201-797-2718

 **Totalcomp**
Components

www.totalcomp.com
sales@totalcomp.com
Fax 201-797-2287

233

Tank Scale Kit



TTK3-SS



TTK-SS Totalcomp, tank scale kit

Make tanks and hoppers into scales with quality components. Each tank scale kit includes components for 3 legs or 4 legs depending on the style of tank or hopper.

3 Leg Kit Stainless Steel

- 1.(3) TSB-SS single ended beam load cells, **stainless steel**, NTEP Legal for Trade
- 2.(3) TSWM-SS Spherical Washer mounting assy for single ended beam, **stainless steel**
- 3.(1) CSB Compact summing junction box, **stainless steel**
- 4.20 ft 6 conductor cable.

Part Number	Cell Cap	Base Cap	Weight	Stock	List
TTK3-250-SS *	250 lb	750 lb	52 lb	3516	\$ 2,791.00
TTK3-500-SS *	500 lb	1,500 lb	52 lb	3517	2,791.00
TTK3-1K-SS	1,000 lb	3,000 lb	52 lb	3518	2,791.00
TTK3-1.5K-SS	1,500 lb	4,500 lb	52 lb	3519	2,791.00
TTK3-2K-SS	2,000 lb	6,000 lb	52 lb	3520	2,791.00
TTK3-2.5K-SS	2,500 lb	7,500 lb	52 lb	3521	2,791.00
TTK3-4K-SS	4,000 lb	12,000 lb	52 lb	3522	2,791.00
TTK3-5K-SE-SS	5,000 lb	15,000 lb	52 lb	3523	2,791.00
TTK3-5K-SS	5,000 lb	15,000 lb	80 lb	3524	3,959.00
TTK3-10K-SS	10,000 lb	30,000 lb	80 lb	3525	3,959.00

* Not NTEP

Tank kit



TTK4-SS



4 Leg Kit Stainless Steel

- 1.(4) TSB-SS single ended beam load cells, **stainless steel**, NTEP Legal for Trade
- 2.(4) TSWM-SS Spherical Washer mounting assy for single ended beam, **stainless steel**
- 3.(1) CSB Compact summing junction box, **stainless steel**
- 4.20 ft 6 conductor cable.

Part Number	Cell Cap	Base Cap	Weight	Stock	List
TTK4-250-SS *	250 lb	1,000 lb	68 lb	3526	\$ 3,627.00
TTK4-500-SS *	500 lb	2,000 lb	68 lb	3527	3,627.00
TTK4-1K-SS	1,000 lb	4,000 lb	68 lb	3528	3,627.00
TTK4-1.5K-SS	1,500 lb	6,000 lb	68 lb	3529	3,627.00
TTK4-2K-SS	2,000 lb	8,000 lb	68 lb	3530	3,627.00
TTK4-2.5K-SS	2,500 lb	10,000 lb	68 lb	3531	3,627.00
TTK4-4K-SS	4,000 lb	16,000 lb	68 lb	3532	3,627.00
TTK4-5K-SE-SS	5,000 lb	20,000 lb	68 lb	3533	3,627.00
TTK4-5K-SS	5,000 lb	20,000 lb	105 lb	3534	5,185.00
TTK4-10K-SS	10,000 lb	40,000 lb	105 lb	3535	5,185.00

* Not NTEP

Prices are subject to change without notice. Please call for current prices.

Other items are available from the manufacturers, please call for quote.

Tank Scale Kit



TTK3



TTK Totalcomp, tank scale kit

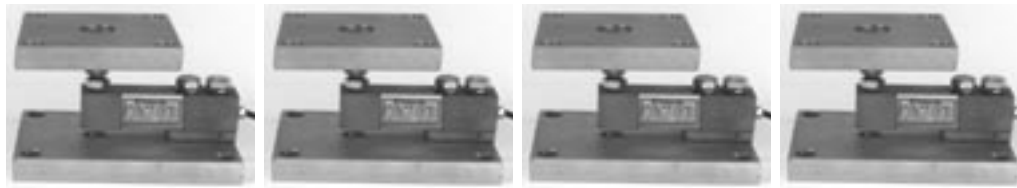
Make tanks and hoppers into scales with quality components. Each tank scale kit includes components for 3 legs or 4 legs depending on the style of tank or hopper.

3 Leg Kit

- 1.(3) TSB single ended beam load cells, NTEP Legal for Trade
- 2.(3) TSWM Spherical Washer mounting assembly for single ended beam
- 3.(1) CSB Compact summing junction box, **stainless steel**
- 4.20 ft 6 conductor cable.

Part Number	Cell Cap	Base Cap	Weight	Stock	List
TTK3-250 *	250 lb	750 lb	52 lb	3536	\$ 1,898.00
TTK3-500 *	500 lb	1,500 lb	52 lb	3537	1,898.00
TTK3-1K	1,000 lb	3,000 lb	52 lb	3538	1,898.00
TTK3-1.5K	1,500 lb	4,500 lb	52 lb	3539	1,898.00
TTK3-2K	2,000 lb	6,000 lb	52 lb	3540	1,898.00
TTK3-2.5K	2,500 lb	7,500 lb	52 lb	3541	1,898.00
TTK3-4K	4,000 lb	12,000 lb	52 lb	3542	1,898.00
TTK3-5KSE	5,000 lb	15,000 lb	52 lb	3543	1,898.00
TTK3-5K	5,000 lb	15,000 lb	80 lb	3544	2,762.00
TTK3-10K	10,000 lb	30,000 lb	80 lb	3545	2,762.00

* Not NTEP



Tank kit

4 Leg Kit

- 1.(4) TSB single ended beam load cells, NTEP Legal for Trade
- 2.(4) TSWM Spherical Washer mounting assembly for single ended beam
- 3.(1) CSB Compact summing junction box, **stainless steel**
- 4.20 ft 6 conductor cable.

Part Number	Cell Cap	Base Cap	Weight	Stock	List
TTK4-250 *	250 lb	1,000 lb	68 lb	3546	\$ 2,436.00
TTK4-500 *	500 lb	2,000 lb	68 lb	3547	2,436.00
TTK4-1K	1,000 lb	4,000 lb	68 lb	3548	2,436.00
TTK4-1.5K	1,500 lb	6,000 lb	68 lb	3549	2,436.00
TTK4-2K	2,000 lb	8,000 lb	68 lb	3550	2,436.00
TTK4-2.5K	2,500 lb	10,000 lb	68 lb	3551	2,436.00
TTK4-4K	4,000 lb	16,000 lb	68 lb	3552	2,436.00
TTK4-5KSE	5,000 lb	20,000 lb	68 lb	3553	2,436.00
TTK4-5K	5,000 lb	20,000 lb	105 lb	3554	3,589.00
TTK4-10K	10,000 lb	40,000 lb	105 lb	3555	3,589.00

* Not NTEP



TTK4



Prices are subject to change without notice. Please call for current prices.

Other items are available from the manufacturers, please call for quote.

13-01 Pollitt Dr Ext
Fair Lawn NJ 07410
201-797-2718

 **Totalcomp**
Components

www.totalcomp.com
sales@totalcomp.com
Fax 201-797-2287

235

Livestock Kit



S3 indicator



XR5000

S3 Tru-Test, indicator

Easy to use indicator that's rugged, waterproof and fully portable. The high contrast display is clearly visible on the brightest day and the LED backlit screen ensures visibility in failing light or dark sheds. Only two buttons for ON/OFF and ZERO. Bluetooth low energy technology. 12 VDC battery with 15 hours run time and only 6 hours to recharge. IP67

Part Number	Weight	Stock	List
S3 True Test indicator w/battery	3 lb	4349	\$ 745.19

XR5000 Tru-Test, Indicator

Includes all standard features plus 50,000 individual animal records. Animal history table provides full history including weight, treatment and birth rates. Build customized reports. Multiple data fields for recording additional information. Custom fields provide fast entry of data from preset tables. Keys for ON, OFF, ESCAPE, SETUP, INFO, BACK, ENTER, keypad 0-9, keypad A-Z, space, shift. RS232 output for printer or computer. Internal battery and Low battery warning. 12VDC. IP67.

Part Number	Weight	Stock	List
XR5000 indicator	5 lb	4354	\$ 3,311.99

Indicator options Tru-Test

AC adapter, software, cable, connectors.

Part Number	Weight	Stock	List
WGC60000P connector w/ resistor for MP-600	0.04 lb	1398	\$ 83.44
WGC70000P dust cap for load cell cable connector	0.02 lb	2946	28.00
EKZ31070P dust cap for indicator	0.02 lb	2948	23.64

Load Bars Totalcomp

Set of (2) load bars made for use with any standard strain gauge load cell indicator. Each load bar has built in horizontal checking and unique flex bases to ensure accurate weights in the roughest conditions. Load bars will take 10 times the shock load of shear beam load cells. Each pair of load bars are the electrical equivalent of a 350 ohm bridge load cell. The 2 load bars are interconnected with a cable 8' long. The attached indicator cable is 3' long.

Part Number	Size	Capacity	Weight	Stock	List
Standard load bars					
2500U-22 load bars	22" x 4"H	2,500 lb	51 lb	3753	\$ 2,700.00
5000U-33 load bars	33" x 4"H	5,000 lb	70 lb	3754	3,300.00
10000U-48 load bars	48" x 4"H	10,000 lb	120 lb	3755	3,900.00

Options

Custom load bar length

Please call for pricing

Typical calibration configurations

2500U	2,500 lb x 0.5 lb
5000U	5,000 lb x 0.5 lb
10000U	10,000 lb x 1 lb



2500U
Load Bars

Alleyway Tru-Test, platform

Complete platforms made for use with Tru-Test indicators and MP-600 loadbars.

Part Number	Weight	Stock	List
24" x 7'4" Aluminum Alleyway platform	70 lb	4361	\$ 1,460.00

MP Tru-Test, multi purpose loadbars

Set of (2) loadbars made for use with Tru-Test indicators. Designed for portability. With a firm and level surface, it's quick and easy to set up this scale. Multi-purpose loadbars come in three sizes: 23", 32" and 39". Coated to resist corrosion.

Part Number	Size	Capacity	Weight	Stock	List
MP-600 Loadbars	23"x4"H	4,400 lb	33 lb	4364	\$ 1,386.89
MP-800 Loadbars	32"x4"H	6,600 lb	48 lb	4365	1,759.49



MP
Load Bars

Prices are subject to change without notice. Please call for current prices.

Other items are available from the manufacturers, please call for quote.

13-01 Pollitt Dr Ext
Fair Lawn NJ 07410
201-797-2718

 **Totalcomp**
Components

www.totalcomp.com
sales@totalcomp.com
Fax 201-797-2287



TLI Indicator



TLI Light Tower

TLI Digital Weighing Indicator

Stainless steel. IP65 housing protected by low pressure jets from all directions. Digital weight indicator. 6 digit, 2" LCD backlit display. Applications for: Simple Weighing, Over/Under, Animal weighing, Counting, Accumulation. Units for: lb, kg, g, oz, lb:oz. 30,000 maximum display divisions. Rechargeable battery provides up to 70 hours of continuous use (without backlit and light tower), charging LED indicator. LED lights for Over/Under and counting function. RS-232 serial port. Optional LED light tower w/ relay board. AC adapter and battery included. NTEP Legal for Trade 13-090

Part Number	Weight	Stock	List
TLI Indicator w/ adapter	10 lb	2658	\$ 348.00
TLI indicator w/ internal power	10 lb	3307	348.00
Options			
LED Light Tower w/ relay board	4 lb	2659	205.00
Red light for OVER high setpoint			
Green light for ACCEPT between high & low setpoint			
Yellow light for UNDER low setpoint			
4-20ma, 0-10vdc Analog output board Requires 10-30vdc external power supply	1 lb	3023	87.12
MDR-20-24 power supply DIN rail mount Input 85-264VAC, Output 24VDC, 1 amp	1 lb	3712	45.70
SW124-24-N-SC power supply plugs into outlet Input 90-264VAC, Output 24VDC, 1 amp	1 lb	3713	58.00
Service Parts			
Load cell connector, 5 pin	1 lb	6359	35.09
Load cell cable 15' w/connector, 5 pin	1 lb	6360	59.29
AC adapter for TRWS/TWP/TLI 100-240 VAC to 12 VDC	1 lb	6362	28.79
GH645 Rechargeable battery	4 lb	6114	29.00
AC adapter jack TLI	1 lb	133	16.45
Front overlay and keypad for TLI	1 lb	3359	25.41
Main Board for TLI	1 lb	3764	271.04
RS232 board w/ cable	1 lb	209	107.69
111300011 power transformer for TLI w/internal power	1 lb	193	35.45

SPECIFICATIONS

LOAD CELL5VDC, 150ma
(4)350 ohm load cells

ANALOG INPUT2.5 μ V/div

CONVERSIONUpdate max 60 times per second
1, 2, 5, 10, 20, 50

ACCURACY0.01% full scale

OUTPUTRS232 and optional 5VDC Light Tower
w/ relay board
4-20ma/0-20ma Analog output

KEYS.G/N, UNIT, PRINT/MT, TARE, ZERO, ON/OFF

ANNUNCIATORSlb, kg, g, oz, lb:oz, battery, stable, zero,
gross, net, tare, pcs

DISPLAY6 digit, 2" LCD with backlight

POWERAC adapter/Battery or internal

SIZE11.4" W x 3.5"D x 7.4"H
Desk or wall mount
Stainless steel enclosure
IP65 housing

Prices are subject to change without notice. Please call for current prices.

Other items are available from the manufacturers, please call for quote.



T500E Weight Indicator

Weighing indicator with an extremely small package size. Full duplex RS232 serial port. T500E have ABS plastic enclosure, T500ESS has SS enclosure. All have **stainless steel** swivel stand. 120 VAC adapter is included. 15 ft load cell cable with connector included. NTEP Legal for Trade 96-028

Part Number	Weight	Stock	List
T500E Indicator w/Green LED display	4 lb	2841	\$ 282.55
T500ESS Indicator w/Stainless Steel enclosure	7 lb	2842	365.00

Service Parts

AC adapter 120 VAC to 12 VDC 0.5A for T500, T500E switching	1 lb	2843	28.50
AC adapter 120 VAC to 9 VDC 0.5A for T500E new version	1 lb	2489	28.50
AC Power cord for 100-240 VAC adapter	1 lb	3640	24.00
Load cell connector for T500 & T500E	1 lb	2952	29.00
Load cell cable w/connector for T500 & T500E	1 lb	2687	60.50
Rear panel load cell connector, flange mount	1 lb	2953	29.00
Main board for T500	1 lb	2405	180.00
Main board for T500E	1 lb	2406	187.00
Main board for T500ESS	1 lb	2435	230.00
Front overlay for T500	1 lb	2339	29.00
Front overlay for T500E	1 lb	2340	29.00
Front overlay for T500ESS	1 lb	2341	29.00



T500E



T500ESS



Indicators

SPECIFICATIONS

LOAD CELL10 VDC, 120 ma
(4)350 or (8)700 ohm load cells

ANALOG INPUT0.4 μV per div, 1.0 μV per div NTEP

CONVERSION25 updates per sec
5,000 display div NTEP
50,000 div, industrial

OUTPUTFull duplex RS232
Baud 1200, 2400, 4800, 9600, O, E, N

ACCURACY0.01% of full scale

KEYSLB/KG, ZERO, NET/GROSS, TARE, PRINT, ANNUNCIATORS . . .Gross, Net, Tare, Zero, lb, kg, pcs

DISPLAYLiquid Crystal display or Green LED
6 digit 0.6" high
Decimal point selectable
Display div 1,2,5,10,20,50,100,200

POWER120 VAC wall adapter 50/60 Hz, 0.5 watt
output is 12VDC, 500 ma

SIZET500,T500E: 6.81"W x 2.26"D x 3.19"H, 4 lb
ABS plastic enclosure,
desk top or wall mount

T500ESS: 5.5"W x 2.9"D x 9.0"H, 7 lb
NEMA 4 **stainless steel** enclosure
Desk top or wall mount

T500BW: 8.1"W x 11.8"D x 3.9"H, 10 lb
ABS plastic enclosure,
desk top or wall mount

Prices are subject to change without notice. Please call for current prices.

Other items are available from the manufacturers, please call for quote.



TWP Indicator & AC adapter



Tripod

TWP Weighing Indicator

ABS plastic enclosure. Digital weight indicator with 6 digit, 0.8" high LCD display with backlit LCD display. 6 mechanical switch keys. Applications for: Check Weighing, Peak Hold, Accumulation, Over/Under, Animal Weighing. Units for: lb, kg, g, oz, tj, hj. Internal counts: 600,000. Rechargeable battery provides up to 35 hours of continuous use. RS232 serial port. 115 VAC, 12V/500mA AC adapter. Max div 30,000.
NTEP Legal for Trade 13-091

Part Number	Weight	Stock	List
TWP Indicator	3 lb	2213	\$ 191.00

Service Parts

Load cell connector, 5 pin	1 lb	6359	35.09
Load cell cable 15' w/connector, 5 pin	1 lb	6360	59.29
Main board for TRWS/TWP	1 lb	6361	154.99
AC adapter for TRWS/TWP/TLI 100-240 VAC to 12 VDC	1 lb	6362	28.79
Battery for TRWS/TWP	1 lb	6363	51.78
TWP front overlay NTEP Legal for Trade	1 lb	7291	24.20

Option

Tripod for indicator	3 lb	6287	118.58
----------------------	------	------	--------

SPECIFICATIONS

LOAD CELL5VDC, 150ma
(4)350 ohm load cells

ANALOG INPUT2.5 μ V/div

CONVERSIONUpdate max 60 times per sec
1, 2, 5, 10, 20, 50

ACCURACY0.01% full scale

OUTPUTRS232
baud 600, 1200, 2400

KEYS.....ON/OFF, ZERO, TARE, G/N, PRINT/M+, UNIT

ANNUNCIATORS ...lb, kg, g, oz, tj, hj, mt, hi, ok, lo, Peak, Battery, Hold, Stable, Auto, Animal, Zero, Tare Net, Gross

DISPLAY6 digit, 0.8" high LCD with backlight

POWERAC adapter/Battery

SIZE7.2"W x 1.77"D x 3.93"H
Desktop or wall mount
ABS housing



TRWS Weighing Indicator

Stainless steel. Digital weight indicator with backlit LCD display. 6 mechanical switch keys. Applications for: Check Weighing, Accumulation, Over/Under, Animal Weighing. Units for: lb, kg, g, oz, tj, hj. Internal counts: 600,000. Rechargeable battery provide up to 35 hours of continuous use. IP65 housing. RS232 serial port. AC adapter. Max div 30,000. NTEP Legal for Trade 13-091

Part Number	Weight	Stock	List
TRWS Indicator	7 lb	7667	\$ 233.00
Service Parts			
Load cell connector, 5 pin	1 lb	6359	35.09
Load cell cable 15' w/connector, 5 pin	1 lb	6360	57.29
Main board for TRWS	1 lb	6361	154.99
AC adapter for TRWS/TWP/TLI 100-240 VAC to 12 VDC	1 lb	6362	28.79
Battery for TRWS	1 lb	6363	51.78
TRWS front overlay	1 lb	7327	24.20
Option			
Tripod for indicator	3 lb	6287	118.58



TRWS



Tripod

Indicators

SPECIFICATIONS

LOAD CELL5 VDC, 150 ma
 (4)350 ohm load cells

ANALOG INPUT2.5 µV/div

CONVERSIONUpdate max 60 times per sec
 1, 2, 5, 10, 20, 50

ACCURACY0.01% full scale

OUTPUTRS232

KEYS.UNIT, PRINT, G/N, TARE, ZERO, ON/OFF

ANNUNCIATORSlb, kg, g, oz, tj, hj, mt, hi, ok, lo, Peak, Battery, Hold, Stable, Auto, Animal, Zero, Tare Net, Gross

DISPLAY6 digit 22mm LCD with backlight

POWERAC adapter/Battery

SIZE7.75"W x 3.25"D x 4.63"H
 Desktop or wall mount
 Stainless steel enclosure
 IP65 housing

Prices are subject to change without notice. Please call for current prices.

Other items are available from the manufacturers, please call for quote.



**T7-P
Touch Sreen Indicator
ABS Plastic**



**OS-2130D
Direct Thermal Printer**



**ZoomSun USB
Barcode Scanner**

T7-P Touch Screen Indicator

ABS plastic enclosure. 6.75" touch screen display. 5 tactile keys for: On/Off, Set up, Home, Tare, Zero. Panel home screen keys for: Class, Take Out, Target, Count, Check, M+, Pre-Tare, Print, Sum. Applications for: Hi/Lo, Unit, Product. Built in applications include: standard weighing, over/under check weighing with bar graph, Take Out, Target, Counting, Class (grading), Hi/Lo applications. Built in Time/Date clock. Indicator has 4 Pre-Tare settings that can be saved and one Pre-Tare setting for custom entry. Store up to 9999 product ID by product name, barcode, Pre-Tare, unit weight in g/pcs or lb/pcs, Hi.Lo level. If product ID has barcode assigned to it using optional barcode scanner, product ID retrievable for fast access. M+ function will add weighment to memory that is retrievable with Sum and transferred to PC using flash drive or printed on paper and then cleared manually. USB port for plug and play ZoomSun barcode scanner and software upload and data download. Standard RS232 port, USB port.

Part Number	Weight	Stock	List
T7-P indicator	7lb	4977	\$ 753.50

Options

ZoomSun USB barcode scanner	2 lb	4987	300.00
OS-2130D Argox direct thermal printer	2 lb	1716	411.00

Service PartsC

AC adapter for T7-P 120vac to 12vdc	1 lb	6358	26.18
Load cell connector, 5 pin	1 lb	6359	35.09
Load cell cable 15' w/connector, 5 pin	1 lb	6360	59.29

SPECIFICATIONS

LOAD CELL5VDC,
(16)350 ohm load cells

ANALOG INPUT2.5 μ V/div

CONVERSIONInternal count: 1,000,000
External Resolution 6000e

ACCURACY0.01% of full scale

OUTPUTRS232, USB port

KEYS.....ON/OFF, SET UP, HOME, TARE, ZERO

ANNUNCIATORS ...kg, g, lb, oz, tj, gj, lz

DISPLAY5 digit, 6.75" touch screen display
Display div 1, 2, 5, 10, 20, 50, 100

POWERInternal 6VDC battery and AC adapter included.

SIZET7-20: 9.34"W x 4.25"D x 6.58" H

Prices are subject to change without notice. Please call for current prices.

Other items are available from the manufacturers, please call for quote.

T-Scale

NS7 Intelligent Indicator

Stainless steel housing IP65. 7" color touch screen display. Keys for: Zero, Tare, Home, Set up, On/Off. Applications for: Check weighing, Counting. PLU product management, 999 each ID storage capacity. Multi weighing units selection. Report management. Print format and customized print format selection. Built in Time/Date clock. Standard RS-232, USB, RJ45 port.
OIML approved

Part Number	Weight	Stock	List
NS-7 indicator	8 lb	4978	\$ 932.00

Options

ZoomSun USB barcode scanner	2 lb	4987	300.00
OS-2130D Argox direct thermal printer	2 lb	1716	411.00

Service Parts

Load cell connector, 5 pin	1 lb	6359	35.09
Load cell cable 15' w/connector, 5 pin	1 lb	6360	59.29



NS7 Indicator



OS-2130D
Direct Thermal Printer



ZoomSun USB
Barcode Scanner

SPECIFICATIONS

LOAD CELL5VDC,
(16)350 ohm load cells

ANALOG INPUT2.5 μ V/div

CONVERSIONInternal count: 1,000,000
External Resolution 6000e

ACCURACY0.01% of full scale

OUTPUTRS-232, USB, RJ45 port

KEYSON/OFF, SET UP, HOME, TARE, ZERO

ANNUNCIATORSkg, g, lb, oz, tj, gj, lz

DISPLAY5 digit, 6.75" touch screen display
Display div 1, 2, 5, 10, 20, 50, 100

POWERInternal 6VDC battery and AC adapter included.

SIZES7-20: 10.58W" x 3.5"D x 6.58"H

Prices are subject to change without notice. Please call for current prices.

Other items are available from the manufacturers, please call for quote.



A&D WEIGHING DIVISION



FS-D

FS-D Weighing Indicator

Stainless steel housing. Standard and take-away checkweighing. 0.5 sec measurement time. Auto tare function. Negative comparison. Drive up to 4 x 350 ohm load cells. Can be programmed to only the following 8 fixed capacities - 6, 15, 30, 60, 150, 300, 600, 1500 kg. 2 year warranty.

Part Number	Weight	Stock	List
FS-D Indicator	14 lb	4005	\$ 1,050.00

Options

HC-06i Rechargeable battery pack	5 lb	6786	55.00
FS-03i RS232C & Relay output	1 lb	4008	148.00

SPECIFICATIONS

LOAD CELL5 VDC +/- 5%, 60 ma
(4) 350 ohm load cells
No remote sensing

ANALOG INPUT0.2 μ V per div min

CONVERSIONUpdate rate 20 times/second

ACCURACY0.01% of full scale

OUTPUTRS232 & comparator relay*
RS422/485 & comparator relay*
* optional

KEYS.ON/OFF, RECALL, KEY, SAMPLE, PT,
STORE, LO, HI, TARE, UNITS, DISPLAY
ZERO, CLEAR, PRINT/ENTER

ANNUNCIATORSStable, Net, Zero, Print, PT, Lo, Ok, Hi

DISPLAY7 segment LCD. 0.73" with backlight

POWER100-240 VAC +/-10%, 50/60Hz, 30 VA
80 hours (depends on usage)

SIZE9.8"W x 8"D x 10.5"H
desktop/wall mount stand and connector
plug for use with platforms from A&D
Weighing and most manufacturers.
SS enclosure, IP65

Prices are subject to change without notice. Please call for current prices.

Other items are available from the manufacturers, please call for quote.



A&D WEIGHING DIVISION

AD-4323 Digital Weighing Indicator

Includes all the latest improvements to be a successor to the reliable AD4316. Standard functions are 17 updates/second, full RFI protection, digital filtering, DIN panel cutout, full digital calibration, no pots, set point interface, serial current loop output.

S.WA 4298

NTEP Legal for Trade 88-095.

Part Number	Weight	Stock	List
Service Parts only.			

Field installable options

AD-4324-04 Serial output RS232C/20ma loop	1 lb	1445	\$ 259.00
---	------	------	-----------

Service Parts

JM:NJC-207-PF load cell connector	1 lb	642	53.00
01:A34806 keysheet overlay	1 lb	678	32.00
32.00PZ:2077 A/D converter board	1 lb	688	423.00



AD-4323

SPECIFICATIONS

LOAD CELL12 VDC +/- 5%, 280 ma
(8)350 ohm load cells
Remote sensing for long cable runs

ANALOG INPUT0.6 µV to 36 µV per div

CONVERSION17 times/sec display update
70/sec sample rate for internal setpoint comparison
Integrating dual slope
10,000 display divisions

ACCURACY0.01% of full scale

OUTPUTRS232 & 20ma serial loop or BCD *
Baud 600, 1200, 2400, 4800, 9600, even
4-20ma analog *
* Optional

KEYS.ZERO, TARE, GROSS/NET, PRINT,
STANDBY/OPERATE

ANNUNCIATORS . . . Zero, MD, Net/Gross, Tare entered, lb, kg

DISPLAYBright, easy to see cobalt blue 0.5" high
500,000 max display
Decimal point selectable
Display div 1,2,5,10,20,50

POWER120 VAC +/-10%, 50/60Hz, 20 watts

SIZE7.6"W x 7.4"D x 3.8"H, 7 lb
Desk top or panel mount plastic enclosure

Prices are subject to change without notice. Please call for current prices.

Other items are available from the manufacturers, please call for quote.

13-01 Pollitt Dr Ext
Fair Lawn NJ 07410
201-797-2718



www.totalcomp.com
sales@totalcomp.com
Fax 201-797-2287



A&D WEIGHING DIVISION



AD-4322A MKII
w/ optional printer



AD-4322A MKII Weighing Indicator

10 key pad for easy tare entry. 100 I.D. code (8 digit) memory information blocks that contain Tare, Comparator limits, running code total weight and number of weighing events for each separate coded item. 50 tare weights can be stored in memory by I.D. number. Full Digital Calibration (FDC) for easy setting of zero and span. Digital linearization function to compensate for non-linearity of load cells. Will switch from lb to kg at the press of a button. Standard 20 ma serial output. Digital filter with four settings for everything from high speed automated weighing to animal weighing. Waterproof keyboard makes this indicator very useful in a variety of environments. Optional built in printer. Panel mount, desk top or wall mount. Twin displays. One display for weight, other for parameter setting, optional time and date. Peak hold circuit, built in comparator, complete RFI protection. NTEP approved Truck Scale program for general applications and Weigh-In, Weigh-Out usage.

S.WA 4315

NTEP Legal for Trade 89-037.

Part Number	Weight	Stock	List
AD-4322A MKII-08 Indicator w/printer	11 lb	1680	\$ 1,770.00
Options			
AD-4322-01A Parallel BCD output TTL levels	1 lb	1929	399.00
OPT-01 BCD open collector	1 lb	1575	271.00
AD-4322-08 Built in printer	1 lb	1578	405.00
AD-4322-10 Panel mount kit	1 lb	1109	129.00
AD-4322-11 Wall mount kit	1 lb	1110	59.00
Service Parts			
JM:NJC-207-PF load cell connector	1 lb	642	53.00
JM:NJC-207-RM connector w/flange for rear panel	1 lb	474	20.00
WP:PP129-28A Thermal paper for printer, pack of (5)	1 lb	1750	27.00
PZ:2082 main board for AD4322A MKII	0.56 lb	1552	909.00

SPECIFICATIONS

LOAD CELL12 VDC +/- 5%, 280 ma
(8)350 ohm load cells
Remote sensing for long cable runs

ANALOG INPUT0.6 μ V to 200 μ V per div

CONVERSIONUpdate rate 16 times/sec
20,000 display divisions
330,000 internal divisions

ACCURACY0.01% of full scale

OUTPUT20ma serial loop
RS232 & 20ma serial loop or BCD *
Baud 600, 1200, 2400, 4800, 9600, even
4-20ma analog *
Setpoint interface *
* Optional

KEYS. ZERO, NET/GROSS, TARE, CODE, M+, M-,
STORE, RECALL, TOTAL, PRINT, FEED,
STANDBY/OPERATE

ANNUNCIATORSCenter of Zero, Motion Detection, Net/Gross,
Tare Entered, kg, lb, Under, Accept, Over

DISPLAYBright easy to see cobalt blue 0.5" high
500,000 max display
Decimal point selectable
Display div 1,2,5,10,20,50

POWER120 VAC +/-10%, 50/60Hz, 200 watts

SIZE200W x 142D x 186H mm, 10 lb
Desk top or panel mount
Plastic enclosure

Prices are subject to change without notice. Please call for current prices.

Other items are available from the manufacturers, please call for quote.



A&D WEIGHING DIVISION

AD-4328 Digital Weighing Indicator

A low cost, general purpose Weighing Indicator. Full digital calibration. Mount on panel or desktop. Comparator function and optional relay/transistor output. HI/GO/LO comparator and simple weighing-in comparator can be selected. Bright red LED display. Front panel is splashproof, equivalent to IP65. Includes 120VAC adapter.

Canadian AM-5252

NTEP Legal for Trade 99-074

Part Number	Weight	Stock	List
AD-4328 Weight Indicator	8 lb	207	\$ 635.00

Options

4328-01 BCD output open collector	1 lb	222	245.00
4328-02 Comparator outputs open collector	1 lb	228	85.00
4328-03 RS-422/485 Serial interface w/comp output	1 lb	229	235.00
4328-10 Indicator stand	1 lb	262	75.00

Service Parts

TB:622 Adapter 120VAC	1 lb	1305	45.00
-----------------------	------	------	-------



AD-4328

SPECIFICATIONS

LOAD CELL5 VDC +/- 5%, 90 ma
(6)350 or (12)700 ohm load cells
Remote sensing for long cable runs

ANALOG INPUT0.2 μ V to 375 μ V per div

CONVERSION10 times/sec display update
Dual slope integration
20,000 display divisions
40,000 internal divisions

ACCURACY0.01% of full scale

OUTPUT20ma serial loop
Parallel BCD open collector transistor *
Comparator output, open collector transistor *
RS422/485 serial w/comparator output*
RS232/20ma/Comp relay 100ma,50VDC*
Baud 600, 1200, 2400, 4800, 9600, even
* Optional

KEYS. OPERATE/STANDBY, PRESET TARE, M+,
MODE, NET/GROSS, ZERO, TARE, PRINT

ANNUNCIATORSZero, MD, Gross, Net, PT, lb, kg

DISPLAYBright red LED 14.2mm high
6 digits 7 segment
Decimal point selectable
Display div 1,2,5,10,20,50

POWERNominal 9VDC(6VDC to 12VDC)
AC adapter 120 VAC 50/60Hz, 4 watts

SIZE6.6"W x 5"D x 5.5"H, 8 lb
Desk top or panel mount
Plastic enclosure

Prices are subject to change without notice. Please call for current prices.

Other items are available from the manufacturers, please call for quote.

13-01 Pollitt Dr Ext
Fair Lawn NJ 07410
201-797-2718



www.totalcomp.com
sales@totalcomp.com
Fax 201-797-2287



A&D WEIGHING DIVISION



AD-4329A



AD-4329A Weighing Indicator

Triple ranges on weighing capacities. Standard RS232 and 20 ma current loop serial output. 4-point digital linearization across the full span. Standard accessories included: 2m cable for 120 VAC, load cell connector, capacity sticker, external input plug, (4) rubber feet, current loop output plug.

NTEP Legal for Trade 03-046

Part Number	Weight	Stock	List
AD-4329A Indicator	8 lb	613	\$ 850.00

Options

AD-4329A-01 BCD output replaces standard RS232	1 lb	614	280.00
--	------	-----	--------

Service Parts

JM:NJC-207-PF load cell connector	1 lb	642	55.00
RS232 and 20ma output for AD-4329A	1 lb	769	195.00

SPECIFICATIONS

LOAD CELL5 VDC +/- 5%, 120 ma
(8)350 ohm load cells
Remote sensing for long cable runs

ANALOG INPUT0.2 μ V per div

CONVERSIONUpdate rate 10 times/sec
20,000 display divisions
40,000 internal divisions

ACCURACY0.01% of full scale

OUTPUTRS232
20ma serial loop
Baud 600, 1200, 2400, 4800, 9600, even
BCD *
Relay outputs *
* Optional

KEYS. OPERATE/STANDBY, PRESET TARE, M+,
MODE, NET/GROSS, ZERO, TARE, PRINT

ANNUNCIATORS M+, MD, Gross, Net, PT, Zero, kg, lb

DISPLAYBright easy to see cobalt blue 0.5" high
7 digit max display
Decimal point selectable
Display div 1,2,5,10,20,50

POWER120 VAC +/-10%, 50/60Hz, 30 watts

SIZE192W x 165D x 96H mm, 8 lb
7.56" x 6.5"D x 3.78"H
Desk top or panel mount
Plastic enclosure



A&D WEIGHING DIVISION

AD-4401 Batch Weighing Indicator

Fuzzy Logic and Automatic Free Fall Compensation. Enter setpoints through front keys or external thumbwheels. Hold and Peak Hold functions. Weigh-In and Loss-in-Weight batching. Check Weighing.

Assign up to 6 input functions from a selection of 14,

Programmable "F" function key on the front key pad of the AD-4401 may be programmed for special operation,



AD-4401A

Part Number	Weight	Stock	List
AD-4401A Batch Weighing Indicator	4 lb	4083	\$ 1,600.00

Options

AD-4401-01 Parallel BCD output open collector	1 lb	4084	335.00
AD-4401-03 RS422/485 serial output	1 lb	4085	310.00
AD-4401-04 RS232C serial output	1 lb	4086	284.00

AD-4401-05 Setpoint Unit	1 lb	4087	1,140.00
AD-4401-07 Analog output 4-20 ma	1 lb	4088	455.00

Service Parts

Jl:361J016-AG 16 pin I/O connector	0.03 lb	4081	22.22
Jl:360C016-B 16 pin connector kit	0.02 lb	4082	22.22

SPECIFICATIONS

LOAD CELL10 VDC +/- 5%, 230 ma
(8)350 or (16) 700 ohm load cells
Remote sensing for long cable runs

ANALOG INPUT0.3 μ V per div min

CONVERSION17 times/sec display update
100/sec sample rate for internal setpoint comparison
Sigma Delta conversion
16,000 display divisions
1,000,000 internal divisions

ACCURACY0.01% of full scale

OUTPUT20ma serial loop
RS232, RS422/485, 4-20ma, BCD *
Baud 600, 1200, 2400, 4800, 9600, O, E, N
100 ingredients
Setpoint relays *
* Optional

KEYS. SETPOINT, ZERO, TARE, NET/GROSS, F, ENTER, OPR/STB/ESC

ANNUNCIATORSZero, MD, Gross, Net, Hold, Alarm, Final, F.Fall, Prelm, OP.PLM, Over, Under, Z.Band

DISPLAYBright easy to see cobalt blue 13mm high
999,950 max display
Decimal point selectable
Display div 1,2,5,10,20,50

POWER120 VAC +/-10%, 50/60Hz, 20 watts

SIZE5.67"W x 7.76"D x 2.83"H, 4 lb
Plastic enclosure, panel mount only

Indicators

Prices are subject to change without notice. Please call for current prices.

Other items are available from the manufacturers, please call for quote.



A&D WEIGHING DIVISION



AD-4402

AD-4402 Batching/Network Weighing Indicator

Multiple sequences & functions for filling, mixing, timing functions can be pre-programmed in this unit. Stores 100 sets of ingredient data, 100 sets of recipe codes. Select from 50 functions for each of 11 control inputs and 11 control outputs. 100 times per second high speed sampling. Compact DIN table or panel mounting. Standard RS485 communication for up to 32 units. Option cards for CC Link, Device Net & Profibus.

Part Number	Weight	Stock	List
AD-4402 Batching Network Indicator	5 lb	5521	\$ 2,380.00

Options

AD-4402-01 Parallel BCD output-open collector	1 lb	5522	496.00
AD-4402-02 Relay output	1 lb	5523	496.00
AD-4402-03 RS422/485 serial output	1 lb	5524	496.00
AD-4402-04 RS232 serial output	1 lb	5525	496.00
AD-4402-05 Parallel I/O	1 lb	5526	496.00
AD-4402-07 Analog 4-20ma output	1 lb	5527	640.00
AD-4402-20 CC link interface	1 lb	5528	860.00
AD-4402-21 Device Net interface	1 lb	5529	1,280.00

Service Parts

PZ-5590 main board for AD-4402 SN after N1205412	0.31 lb	5567	490.00
PZ:5591 display board for AD-4402 SN after N1205412	0.21 lb	5568	293.00

SPECIFICATIONS

LOAD CELL10 VDC +/- 5%, 230 ma
(8)350 ohm load cells
Remote sensing for long cable runs

ANALOG INPUT0.6 μ V to 200 μ V per div

CONVERSION17 times/sec display update
100/sec sample rate for internal setpoint comparison
Delta sigma conversion
16,000 display divisions
1,000,000 internal divisions

OUTPUTBCD
RS232, RS422, RS485 *
Baud 600, 1200, 2400, 4800, 9600, O, E, N
100 ingredients
Setpoint relays *
* Optional

KEYS. F1/F3, F2/F4, SHIFT, CODE RECALL/CODE SET, A/a, 1-0, ESCAPE, ENTER, NET/GROSS, TARE, ZERO

ANNUNCIATORSStable, Net, Gross, Full, Zero Band, Fast Flow, Medium Flow, Dribble Flow, Finish, Tare Entry

DISPLAYBlue VFD 0.7" (18mm) high
16,000 max display
Decimal point selectable
Display div 1,2,5,10,20,50

SUB DISPLAY(4) lines alpha characters 0.2" high VFD
Displays status information

POWER85-250 VAC +/-10%, 50/60Hz, 20 watts

SIZE7.5"W x 5.3"D x 3.8"H, 5 lb
Plastic enclosure.
Table and panel mount

Prices are subject to change without notice. Please call for current prices.

Other items are available from the manufacturers, please call for quote.



A&D WEIGHING DIVISION

AD-4405A Weighing Indicator

A general purpose Weighing Indicator. 1/40,000 display resolution. Mount on table, wall or desktop. Bright blue VFD display. Front panel is waterproof, protected to IP65. RS232 standard. Counting mode. Digital linearization. Accumulator with auto or manual entry. Optional relay outputs or 4-20ma analog output. 3 input signals for external control, input signal can be selected from zero, tare, mode, net/gross, print, M+. NTEP 04-034 III/IIIL 10,000 div.

Part Number	Weight	Stock	List
AD-4405A Weighing Indicator	6 lb	6141	\$ 700.00

Options

AD-4405-03 RS422/485/Relays (replaces std RS232)	1 lb	6142	310.00
AD-4405-05 RS232 w/Relays (replaces std RS232)	1 lb	6143	260.00



AD-4405



A&D WEIGHING DIVISION

AD-4406 Weighing Indicator

A general purpose Weighing Indicator. 1/40,000 display resolution. Mount on table, wall or desktop. Large 1" high LCD display. Front panel is waterproof, protected to IP65. Counting mode. Digital linearization. RS232 standard. Accumulator with auto or manual entry. Optional relay outputs or 4-20ma analog output. 3 input signals for external control. NTEP Legal for Trade 04-034.

Part Number	Weight	Stock	List
AD-4406 Weighing Indicator	6 lb	6146	\$ 520.00

Options

AD-4406-03 RS422/485/Relays solid state AC output Replaces standard RS232	1 lb	6147	325.00
AD-4406-05 RS232 w/Relays solid state AC output Replaces standard RS232	1 lb	6148	275.00
AD-4406-07* Analog output 4-20 ma (replaces std RS232)	1 lb	6149	490.00



AD-4406



Indicators

* Analog output card comes with its own AC adapter. When the analog output card is installed, (2) AC adapter will be used, one for the basic indicator and one for the analog output.

Prices are subject to change without notice. Please call for current prices.

Other items are available from the manufacturers, please call for quote.

13-01 Pollitt Dr Ext
Fair Lawn NJ 07410
201-797-2718

Totalcomp
Components

www.totalcomp.com
sales@totalcomp.com
Fax 201-797-2287



A&D WEIGHING DIVISION

AD-4407A Weighing Indicator

Stainless steel washdown industrial enclosure. 1/40,000 display resolution. Mount on table, wall or desktop. Bright blue VFD display. Front panel is waterproof, protected to IP65. RS232 standard. Counting mode. Digital linearization. Accumulator with auto or manual entry. Optional relay outputs or 4-20ma analog output.
NTEP Legal for Trade 04-034



AD-4407A



Part Number	Weight	Stock	List
AD-4407A Weighing Indicator, SS, 0-9 keys	8 lb	6150	\$ 880.00

Options

AD-4407-03 RS422/485/Relays (replaces std RS232)	1 lb	6151	330.00
AD-4407-05 RS232 w/Relays (replaces std RS232)	1 lb	6152	270.00
AD-4407-07 Analog output 4-20 ma (replaces std RS232)	1 lb	6153	500.00

SPECIFICATIONS

LOAD CELL 5 VDC +/- 5%, 60 ma
(4) 350 or (8) 700 ohm load cells
Remote sensing for long cable runs

ANALOG INPUT0.2 μ V per div min

CONVERSION10 times/sec display update
Integrating dual slope type
40,000 display divisions
1,000,000 internal divisions

ACCURACY0.01% of full scale

OUTPUT RS232 serial
RS422/485/Relays replaces std RS232 *
RS232 w/Relays replaces std RS232 *
Baud 600, 1200, 2400, 4800, 9600, O, E, N
* Optional

KEYS. CODE, SAMPLE, SET POINT, PT, TOTAL,
ZERO, TARE, M+, START, STOP, MODE,
NET/GROSS, ON/OFF, PRINT, 0-9

ANNUNCIATORSStable, Net Zero, PT, Ready, M+, 1-3, Hi, Ok, Lo

DISPLAYBright easy to see cobalt blue 13mm high
999,950 max display
Decimal point selectable
Display div 1,2,5,10,20,50

POWER100-240 VAC +/-10%, 50/60Hz, 30 VA

SIZE7.83"W x 3.15"D x 8.11"H, 8 lb
Bracket included for desktop or wall mount.
SS enclosure IP65

Prices are subject to change without notice. Please call for current prices.

Other items are available from the manufacturers, please call for quote.



A&D WEIGHING DIVISION

AD-4321 Weighing Indicator

Service parts only for AD-4321 indicator.

Part Number	Weight	Stock	List
Service Parts			
01 Parallel BCD output TTL level	1 lb	1016	\$ 199.00
08:A47486 capacity tag	1 lb	64	6.60
JM:NJC-207-PF load cell connector	1 lb	642	53.00
JM:NJC-207-RM connector w/flange for rear panel	1 lb	474	20.00



AD-4321



A&D WEIGHING DIVISION

AD-4325A Batch Weighing Indicator

Options only for AD-4325A indicator..

Part Number	Weight	Stock	List
Options			
AD-4342-04 Serial output/RS232, 20mA loop	1 lb	1445	\$ 259.00
AD-4325-02 Relay output	2 lb	1037	488.00



AD-4325A



Indicators

Prices are subject to change without notice. Please call for current prices.

Other items are available from the manufacturers, please call for quote.

13-01 Pollitt Dr Ext
Fair Lawn NJ 07410
201-797-2718

Totalcomp
Components

www.totalcomp.com
sales@totalcomp.com
Fax 201-797-2287



AD-5000



A&D

A&D WEIGHING DIVISION

AD-5000 Programmable Weighing Indicator

Options and service parts only for the AD-5000,
NTEP Legal for Trade 95-040.

Part Number	Weight	Stock	List
Options			
AD-5000-IR Input relay for AD-5000-255	1 lb	2891	\$ 65.60



185B Weighing Indicator

ABS plastic enclosure IP66 for harsh environments. Versatile mounting bracket for wall or desktop. 1" highly visible LCD w/green backlight. Easy operation, 6 key keypad. On demand serial data. Continuous serial data. Serial connectivity for Output to One Label/Ticket Printer or PC. Cardinal Control Ticket/Label Printing Configuration. Remote display/keypad for other Cardinal indicators.
 NTEP Legal for Trade 18-075
 Canada: AM-6109
 OIML: R-76/2006-A-DK2-18.04

Part Number	Weight	Stock	List
185B Indicator	3.4 lb	2097	\$ 590.00



185B
Weight Indicator



SPECIFICATIONS

LOAD CELL5.0 VDC, 240 ma, (4) 350 ohm load cells

ANALOG INPUT0.4 μ V div

CONVERSION10 Samples/secpnd
1 part in 16,777,216

ACCURACY0.01% of full scale

OUTPUT(1) Bi-directional RS232

KEYS ON/OFF, ZERO, TARE, NET/GROSS, UNITS, PRINT

ANNUNCIATORSlb, oz, kg, g

DISPLAYLCD 6 digit, 7 segment 1" high 25mm, backlit green
Display div 1, 2, 5, 10, 0.1, 0.01, 0.001

POWER(6)AA alkaline, Ni-Cad or NiMH batteries(not included) or
Adapter wall plug in 100-240 VAC 50/60hz, to 12VDC 1amp

SIZE7.7"W x 2.6"D x 4.7"H, 2.5 lb
Desk top or wall mount
Stainless steel mounting bracket
ABS plastic enclosure
Harsh environments IP66

Indicators



190 Storm Weight Indicator



190 & 190DC Storm Weight Indicator

High temp, high pressure washdown indicator. The 190 storm high impact indicator is perfect for food processing, chemical industry, pharmaceutical, and almost any harsh application environment. Thermoplastic IP69K wall or desktop mount. Unique capacitive touch keys, the keypad senses the operators finger from inside of the enclosure. Red status lamps provide a visual indication of key-presses. Colorzone checkweighing changes color automatically as the pre-assigned target weights are reached.

NTEP Legal for Trade 10-084

Canada AM-5804

OIML pending

Part Number	Weight	Stock	List
190 Storm indicator AC Version	10 lb	7035	\$ 820.00
190DC Storm indicator, includes battery pack	11 lb	7037	820.00

Options

BP190 Lithium ion battery pack	1 lb	7036	250.00
PS190 AC adapter	1 lb	7038	130.00

Select one of the following cables for the AC adapter.

190DC6 power cable 6ft	3 lb	7039	50.00
190DC12 power cable 12ft	6 lb	7040	70.00
190DC18 power cable 18ft	9 lb	7041	80.00

Service Parts

8400-D010-08 enclosure front 190	0.66 lb	7112	32.00
8400-D012-08 enclosure rear 190	0.64 lb	7113	30.25

SPECIFICATIONS

LOAD CELL5.18 VDC, 120 ma
(6) 350 ohm load cells

ANALOG INPUT0.15 μ V per div Non-Commercial
0.5 μ V per div Commercial

CONVERSIONUpdate 1 to 100 times/sec selectable
10,000 display divisions NTEP
240,000 display divisions Non-Commercial

ACCURACY0.2% full scale

OUTPUT(1) RS232 bidirectional

KEYSOFF/ON, ZERO, TARE, GROSS/NET, UNITS,
FUNCTION, PRINT

ANNUNCIATORSlb, kg, oz, g

DISPLAYBack lit 1" high LCD
6 digits, 7 segments

POWER110-240 VAC, 50/60Hz Power cord
190DC 10.5 to 30 VDC Power pack

SIZE9.4"W x 3.7"D x 6.4"H, lb
IP69K

Prices are subject to change without notice. Please call for current prices.

Other items are available from the manufacturers, please call for quote.



200 Weight Indicator

Panel mount digital weight indicator. Mounts to panel with side slides. Wiring connections are to screw terminals which have as a service feature a plug in terminal block. 3/16 DIN panel mount cutout. (2) RS232 serial ports. Aluminum housing. 120 VAC.

NTEP Legal for Trade 01-011 .
Canada AM 5397

Part Number	Weight	Stock	List
200 Indicator, panel mount	7 lb	5265	\$ 1,010.00

Options	Weight	Stock	List
2XX-DAC 4-20ma output	1 lb	3177	380.00



200
Indicator
Panel mount

SPECIFICATIONS

LOAD CELL12 VDC, 120 ma (8) 350 ohm load cells Remote sensing for long cable runs	KEYSZERO, UNITS, PRINT, OVER, UNDER
ANALOG INPUT0.5 μ V per div	ANNUNCIATORSMOTION, ZERO, LB, KG, G, OZ, LB/OZ, UNDER, ACCEPT, OVER, MOTION, NEGA- TIVE, ZERO
CONVERSIONUpdate 20 times/sec 10,000 display divisions NTEP Legal for Trade	DISPLAYBright red 0.56" high LED 6 digits 100,000 max
ACCURACY0.01% of full scale	POWER120 VAC +/-10%, 50/60Hz, 60 watts
OUTPUT(2) RS232 bidirectional Baud 150,300,1200,2400,4800,9600, O, E, N	SIZE12"W x 3.25"D x 8.75"H, 12 lb 3/16 DIN panel mount NEMA 4 aluminum enclosure

Prices are subject to change without notice. Please call for current prices.

Other items are available from the manufacturers, please call for quote.

13-01 Pollitt Dr Ext
Fair Lawn NJ 07410
201-797-2718



www.totalcomp.com
sales@totalcomp.com
Fax 201-797-2287



204
Indicator
Stainless Steel



204 Weight Indicator

Service parts only for 204 weight indicator.
NTEP Legal for Trade 02-016

Part Number	Weight	Stock	List
Service Parts			
6800-1045 AC adapter	1 lb	5069	\$ 88.25
8555-D302-08 keypad for 204 indicator	0.16 lb	5184	117.50
8555-B510-08 rubber ball	1 lb	5210	6.75



205 Weight Indicator

Digital weight indicator. Units are lb, lb-oz, oz, T, kg, g, t, custom. Auto shut off and sleep modes, push button tare, gross, tare, net selection, accumulator, gross and net, adjustable filtering, selectable lock out, four input lines. (2) RS232 serial ports. Stainless steel enclosure. 120 VAC.

NTEP Legal for Trade 01-011

Part Number	Weight	Stock	List
205 Indicator	12 lb	5268	\$ 800.00

Options

2xx-DAC 4-20 ma output	1 lb	3177	380.00
RB3 Relay box w/ 3 relays	1 lb	3509	260.00
RB9 Relay box w/ 9 relays	1 lb	3594	470.00

2XX-IP Serial to Ethernet	1 lb	7001	430.00
2XX-Panel mount kit	1 lb	7002	121.00
2XX-BAT kit for 205 210	1 lb	7004	77.00

Service Parts

6800-1032 power supply 15VDC	0.21 lb	4583	112.00
8200-D124-0A mainboard	1 lb	4584	561.00
8200-D100-08 Keypad	1 lb	4585	108.25

6540-1053 enclosure knob 10-32	0.02 lb	4889	13.75
--------------------------------	---------	------	-------



205 Indicator

SPECIFICATIONS

LOAD CELL10 VDC, 120 ma
(8) 350 ohm load cells
Remote sensing for long cable runs

ANALOG INPUT0.3 μ V per div

CONVERSIONUpdate 1 to 100 times/sec
10,000 display divisions NTEP
240,000 divisions non NTEP

ACCURACY0.01% of full scale

OUTPUTRS232 bidirectional
RS232 output only
Baud 150,300,1200,2400,4800,9600, O, E, N

KEYSZERO, UNITS, PRINT, OVER, UNDER

ANNUNCIATORS . . .ZERO, STABLE, TARE, GROSS, NET, lb, oz,
kg, g, t, T, lo bat

DISPLAYBright red 0.6" high LED
6 digits
100,000 max

POWER120 VAC +/-10%, 50/60Hz, 60 watts

SIZE9"W x 2.75"D x 7"H, 12 lb
U bracket for desk top or wall mount
NEMA 4 **stainless steel** washdown enclosure
IP66

Prices are subject to change without notice. Please call for current prices.

Other items are available from the manufacturers, please call for quote.

13-01 Pollitt Dr Ext
Fair Lawn NJ 07410
201-797-2718

Totalcomp
Components

www.totalcomp.com
sales@totalcomp.com
Fax 201-797-2287



210 Indicator



210 Weight Indicator

Digital weight indicator. Gross, tare, net selection. Units are lb, lb-oz, oz, T, kg, g, t, custom. Auto shutoff and sleep modes. Push button tare. Gross, tare, net conversions. Adjustable filtering. Selectable key lockout. Four input lines. Numeric keypad, piece count, checkweighing, (3) preset weight comparators, time/date in 12 or 24 hour format. (2) RS232 serial ports. Stainless steel enclosure. 120 VAC. NTEP Legal for Trade 01-011

Part Number	Weight	Stock	List
210 Indicator, panel mount	12 lb	5269	\$ 1,040.00
Options			
Analog output	1 lb	3177	380.00
RB3 Relay box w/ 3 relays	1 lb	3509	260.00
RB9 Relay box w/ 9 relays	1 lb	3594	470.00
2XX-IP Serial to Ethernet	1 lb	7001	430.00
2XX-Panel mount kit	1 lb	7002	121.00
2XX-BAT kit for 210	1 lb	7004	77.00
Service Parts			
8200-D124-1A Mainboard for 210	1 lb	3201	546.75
8200-D202-08 Keypad for 210	1 lb	3202	108.25

SPECIFICATIONS

LOAD CELL10 VDC, 120 ma
(8) 350 ohm load cells
Remote sensing for long cable runs

ANALOG INPUT0.5 µV per div

CONVERSIONUpdate 1 to 100 times/sec
10,000 display divisions NTEP
240,000 divisions non NTEP

ACCURACY0.01% of full scale

OUTPUTRS232 bidirectional
RS232 output only
Baud 150,300,1200,2400,4800,9600, O, E, N

KEYSZERO/REVIEW, TARE, NET/GROSS, TARE, UNITS/TEST, ON/OFF, COUNT/SAMPLE, TIME/DATE, PRESET, PRINT, 0-9 NUMERIC KEYPAD, ENTER

ANNUNCIATORS ...ZERO, STABLE, TARE, GROSS, NET, lb, oz, kg, g, t, T, lo bat, PWC1/under, PWC2/accept, PWC3/over

DISPLAYBright red 0.56" high LED
6 digits
100,000 max

POWER120 VAC +/-10%, 50/60Hz, 60 watts

SIZE9"W x 2.75"D x 7"H, 12 lb
U bracket for desk top or wall mount
NEMA 4 **stainless steel** washdown enclosure
IP66



210FE Weight Indicator

Digital weight indicator. Gross, tare, net selection. Units are lb, lb-oz, oz, T, kg, g, t, custom. Numeric keypad, piece count, checkweighing, (3) preset weight comparators, time/date in 12 or 24 hour format. (2) RS232 serial ports. Fiberglass enclosure. 120 VAC. NTEP Legal for Trade 01-011

Part Number	Weight	Stock	List
210FE Indicator	7 lb	5270	\$ 2,210.00



210FE
Indicator
Fiberglass

SPECIFICATIONS

LOAD CELL10 VDC, 120 ma
(8) 350 ohm load cells
Remote sensing for long cable runs

ANALOG INPUT0.5 μ V per div

CONVERSIONUpdate 1 to 100 times/sec
10,000 display divisions NTEP
240,000 divisions non NTEP

ACCURACY0.01% of full scale

OUTPUTRS232 bidirectional
RS232 output only
Baud 150,300,1200,2400,4800,9600, O, E, N

KEYSZERO, UNITS, PRINT, OVER, UNDER

ANNUNCIATORS . . .ZERO, STABLE, TARE, GROSS, NET, lb, oz,
kg, g, t, T, lo bat, PWC1/under, PWC2/accept,
PWC3/over

DISPLAY3" high transfective LCD display with photo
detector controlled back lighting
6 digits
100,000 max

POWER120 VAC +/-10%, 50/60Hz, 60 watts

SIZE9"W x 2.75"D x 7"H, 7 lb
U bracket for desk top or wall mount
NEMA 4 fiberglass enclosure IP66



225 Navigator
Digital Weight Indicator



225 Navigator Digital Weight Indicator

Stainless steel. Full alpha keypad. 200 ID's with cross reference. 240 x 64 pixel monochrome graphics LCD with white LED backlight. Infrared Data Port allows remote operation with special software on a pocket PC. Multi-point calibration. Adjustable filtering. Consecutive numbering. Multi-interval. Multi-reports. Digital fill control. Electronic tally roll. 16 preset weight comparators. Units lb, kg, tn, t, g, oz, custom. Piece count. Check-weigher. 230 VAC.

NTEP Legal for Trade 01-011

Part Number	Weight	Stock	List
225 Indicator	8 lb	3198	\$ 1,795.00

Service Parts

8200-D360-08 keypad	1 lb	3200	158.75
---------------------	------	------	--------

SPECIFICATIONS

LOAD CELL12 VDC, 120 ma
(14) 350 ohm load cells
Remote sensing for long cable runs

ANALOG INPUT0.5 μ V per div

CONVERSIONUpdate 1 to 200 times/sec selectable
10,000 display divisions NTEP
100,000 divisions non NTEP

ACCURACY0.01% of full scale

OUTPUT(3) RS232 bidirectional
RS232 output only
20 mA
8 remote inputs
16 control outputs

KEYS60 Key keypad with QWERTY keys plus four
soft keys and 13 function keys

ANNUNCIATORSZERO, ID, MEM, STABLE, ACCUM, MAX,
OVER, UNDER, ACCEPT

DISPLAY240 x 64 pixel monochrome graphics LCD
with white LED backlight

POWER230 VAC, 50/60Hz

SIZE12.95"W x 4.64"D x 9.87"H, 8 lb
U bracket for desk top or wall mount
NEMA 4 **stainless steel** enclosure IP66



CI-2001 Weight Indicator

Weighing indicator with an extremely small package size. Full duplex RS232 serial port. ABS plastic enclosure and optional stainless steel enclosure. **Stainless Steel** swivel stand. 120 VAC adapter is included.

Canadian AM 5269

NTEP Legal for Trade 98-103

Part Number	Weight	Stock	List
ABS case			
CI-2001A Indicator w/red LED display	4 lb	3669	\$ 245.00
CI-2001B Indicator w/green LCD display	4 lb	3670	245.00
Stainless Steel case			
CI-2001AS Indicator w/red LED display	6 lb	3859	309.00
CI-2001BS Indicator w/green LCD display	6 lb	917	309.00

Options

CA01-12A-0102 Eprom for CI-2001A for Canada	1 lb	3012	No Charge
CA01-12AS-0102 Eprom for CI-2001AS for Canada	1 lb	6198	No Charge
CA01-12B-0102 Eprom for CI-2001B for Canada	1 lb	3427	No Charge

Note: The above Eproms will comply with Canadian Weights & Measures.

The push button ZERO will only work when less than 4% of capacity.

Service Parts

AC adapter 120 VAC to 12 VDC	1 lb	3862	34.30
WI11 Load cell connector	1 lb	3863	14.30
KI11 Front overlay for CI-2001A	1 lb	3864	10.00
Front overlay for CI-2001B	1 lb	3865	10.00
KI21 Front overlay for CI-2001AS	1 lb	3866	10.00



CI-2001A



CI-2001AS

SPECIFICATIONS

LOAD CELL	.5 VDC, 120 ma (4)350 or (8)700 ohm load cells
ANALOG INPUT	.05 μ V per div, 2 μ V per div NTEP
CONVERSION	.10 updates per sec 5,000 display div NTEP 30,000 div, industrial 200,000 internal counts
OUTPUT	.Full duplex RS232 Baud 600, 1200, 2400, 4800, 9600, O, E, N

KEYS	.ZERO, TARE, GROSS/NET, kg/lb, *(PRINT) ENTER
DISPLAY	CI-2001A: 0.55" high red LED CI-2001AS: 1" high red LED CI-2001B: 1" high green LCD 6 digit Decimal point selectable Display div 1,2,5,10,20,50,100
ACCURACY	.0.01% of full scale
POWER	.120 VAC wall adapter 50/60 Hz, 0.5 watt output is 12VDC, 650 ma
SIZE	.ABS plastic: 7.32"W x 2.28"D x 4.72"H, 4 lb SS: 7.87"W x 2.08"D x 6.49"H, 6 lb Desk top or wall mount

Prices are subject to change without notice. Please call for current prices.

Other items are available from the manufacturers, please call for quote.



CI-200A



CI-200SC



CI-200 Cas indicators

CI-200A: Nema 12 plastic enclosure. Numeric keypad. Units: lb/kg. Accumulation mode. Keyboard tare. Password protected. Hi/lo alarm. Multi-point calibration. Time and date. Weight back-up. Dual range capabilities.

CI-201A: Nema 12 plastic enclosure. Numeric keypad. Units: lb/kg. Accumulation, Counting, Percent modes. Keyboard tare. Password protected. Hi/lo alarm. Multi-point calibration. Time and date. Weight back-up. Dual range capabilities.

CI-201A-DB: Nema 12 plastic enclosure. Numeric keypad. Units: lb/kg. Keyboard tare. Password protected. Hi/lo alarm. Multi-point calibration. Time and date. Weight back-up. Dual range capabilities.

CI-200SC: Stainless steel 304 IP67 enclosure. Numeric keypad. Units: lb/kg. Keyboard tare. Password protected. Hi/lo alarm. Multi-point calibration. Time and date. Weight back-up. Dual range capabilities. NTEP Legal for Trade 11-026

Part Number	Weight	Stock	List
CI-200A w/ LED display, AC/Rechargeable battery	4 lb	6704	\$ 365.00
CI-201A w/ LCD display, AC/Rechargeable battery	4 lb	6705	365.00
CI-201A-DB w/ LED display, AC/Dry battery	4 lb	6706	405.00
CI-200SC w/ LED display, AC/Dry battery	6 lb	6709	595.00

SPECIFICATIONS

LOAD CELL5 VDC, 120 ma
(8)350 or (16)1000 ohm load cells

ANALOG INPUT0.2 μ V per division

CONVERSION80 updates per sec
10,000 div NTEP

ACCURACY0.01% of full scale

OUTPUT(2) RS232C communication ports

KEYS0-9, F1, F2, Print, Tare, Power, On/Off

ANNUNCIATORSOver, Under, Accept

DISPLAYLCD: CI-201A w/ adjustable backlight,
CI-201A-DB
LED: CI-200A, CI-200A-DB, CI-200S/SC

POWER115V AC adapter and battery

SIZEABS plastic: 9.1"W x 6.5"H x 3.6"D
Stainless steel: 9.8"W x 7.6"H x 3.3"D
Desktop or wall mount included



X320 Washdown Indicator

Manufactured with high tech composite alloy. Highest environmental rating IP69K/68. Impact resistant. Encapsulated components. Capacitive keyboard technology: knife, scissor and sharp tool proof. Checkweighing annunciators. Lb/oz/g unit switchable or fixed lb/oz/kg/g/ton.

NTEP Legal for Trade 11-050

Part Number	Weight	Stock	List
CAS-X320-WM Washdown Indicator w/ wall/desk mount 90-240 VAC	5 lb	6714	\$ 798.00
CAS-X320B Washdown Indicator w/ battery/wall mount	6 lb	6715	1,009.00

Options

C0080 RS232 to RS485 converter	1 lb	6716	135.00
C0081 20mA converter	1 lb	6717	85.00
A10012 cable, serial link, USB	1 lb	6718	69.00

C0200 Bluetooth serial adapter single master end	1 lb	6719	295.00
C0201 Bluetooth serial adapter single slave end	1 lb	6720	269.00
C0202 Bluetooth serial adapter multi-roam master end	1 lb	6721	269.00
C0203 Bluetooth serial adapter multi-roam slave end	1 lb	6722	269.00

Service Parts

780113 AC adapter 90-240VAC	1 lb	4976	166.00
-----------------------------	------	------	--------



X320

Indicators

SPECIFICATIONS

LOAD CELL(4)350 or (8)700 ohm load cells	KEYSPOWER, ZERO, TARE, GROSS, NET, PRINT, FUNCTION
ANALOG INPUT0.25 μ V per division	ANNUNCIATORSOver, pass, under
CONVERSIONUpdate 20 times/sec 30,000 display divl 8,388,608 internal div 24 bit A/D	DISPLAY6 digits, 0.8" high LCD LED backlit
ACCURACY0.02% full scale	POWERAC Power, 110/240V AC adapter 12V DC 1.2A/ battery 12V battery pack, rechargeable NiMH
OUTPUTRS232 communication port 2400, 4800, 9600 baud (3) set point outputs	SIZE9.8"W x 6.4"D x 4.7"H IP69K Stainless steel wall/desktop mount

Prices are subject to change without notice. Please call for current prices.

Other items are available from the manufacturers, please call for quote.



UMC555



UMC555 Digital Weight Indicator

Spare parts only for UMC555 indicators.

Part Number	Weight	Stock	List
Service Parts			
KHY7237B Front panel UMC555	1 lb	578	\$ 51.60



UMC600



UMC600 Digital Weight Indicator

Service Parts Only for UMC600 indicators.

NTEP Legal for Trade 00-004

Part Number	Weight	Stock	List
Options			
KBT7116-5 Panel mounting kit	1 lb	594	\$ 83.30
KBT7116-13 RS422/RS485 output	1 lb	531	350.00
KBT7116-11 Solid State Relay option board AC only 20VAC to 120VAC, 5ma to 1 amp	1 lb	1595	491.00
KBT7116-12 Dry Contact Relay option board DC only 100VDC max, 0.5 amps max, 10 VA max	1 lb	1475	416.00
KBT7116-17 Analog output chips 0-10VDC or 4-20ma Requires KBT7116-16	1 lb	3997	491.00
KBD7431A Solid state relay	1 lb	2439	50.00
Service Parts			
MS3106A-14S-6S load cell connector 6 sockets w/collar	1 lb	1070	23.40
KGV8924-2 display assembly LED	1 lb	243	483.00



DS100 Weight Indicator

Adaptable and economically priced, the DS100 includes many features found on much higher priced indicators. U bracket mount for table wall or shelf. Weighing units: lb, kg, g, oz, lb/oz. 1 year warranty.
NTEP Legal for Trade 05-061

Part Number	Weight	Stock	List
DS100 Weight indicator	4 lb	3689	\$ 326.00
DS100BM Indicator baggage scale	5 lb	7230	350.00
Service Parts			
XFR0035 Wall mount transformer 115VAC 6" negative center	1 lb	6295	63.60
SWI0147 Touch Panel DS100-BM	0.03 lb	3796	71.42
SWI0148 Touch Panel DS100-BR	0.03 lb	3779	71.42



DS100
Weight Indicator



DS100BM
Baggage scale indicator

Prices are subject to change without notice. Please call for current prices.

Other items are available from the manufacturers, please call for quote.

13-01 Pollitt Dr Ext
Fair Lawn NJ 07410
201-797-2718

Totalcomp
Components

www.totalcomp.com
sales@totalcomp.com
Fax 201-797-2287



**2200
Process and Batch Indicator**



2200 Process and batch Indicators

Flexibility, simplicity and easy to use saving you time and money. Full function keypad allows for simple entry of digital tare, time and date, accumulator eight product ID's, eight setpoint outputs. Start, stop and pause batching processes with color coded Start and Stop keys. Standard software features such as programmable data communication, multiple ID numbers, accumulator, counter and learning preacts. Configure batching routines of up to 100 steps incorporating 35 commands with Point and Click, with the free Windows based Dimension Software. Two standard RS-232 ports. Two year parts and labor warranty. 6"H x 10"W x 3"D.

NTEP Legal for Trade 06-101

Part Number	Weight	Stock	List
2200 indicator	9 lb	7207	\$ 850.00
Service Parts			
SUB0635 Touch panel 2200	1 lb	1017	130.00

SPECIFICATIONS

LOAD CELL10 VDC, 120 ma
(4) 350 ohm load cells

ANALOG INPUT0.5 μ V to 3.9 μ V per div

CONVERSIONUpdate 20 times/sec
10,000 display divisions NTEP

ACCURACY0.01% of full scale

OUTPUTTwo configurable bi directional RS 232
Serial Ports, Eight Digital Outputs

KEYSTARE, GROSS/NET, ZERO, PRINT, UNITS,
ACCUM, ID, CLEAR, ENTER, SET POINT,
DECIMAL POINT, START, STOP, 0-9 KEY-
PAD

ANNUNCIATORSLB, OZ, KG, G or LB, OZ

DISPLAYBright red 0.56" high LED
6 digits

POWER115 VAC, 50/60Hz, Internal rechargeable bat-
tery, (230 VAC Optional)

SIZE10"W x 3"D x 4.6"H



4300M Over-Accept-Under Weighing Indicator

Over-Accept-Under Weighing Indicator. U bracket for mounting on table, wall or under shelf. Bright blue VFD display. Front panel is waterproof, protected to IP65. RS232 standard. (6) built in print formats. Optional RS485 output. Optional remote switch NTEP Legal for Trade 97-038.

Part Number	Weight	Stock	List
4300M Check Weigh Indicator	12 lb	6216	\$ 810.00

Service Parts

PCA0415 Main board 4300M/8000XL (4)screws	1 lb	6219	660.00
PCA0410 Main board enhanced 7XL/4300	1 lb	6201	579.00
SUB0860 Key sheet w/12 screws on back	1 lb	6328	120.00



4300M
Over-Accept-Under

SPECIFICATIONS

LOAD CELL10 VDC, 120 ma
(4) 350 ohm load cells
Remote sensing for long cable runs

ANALOG INPUT0.5 μ V to 3.9 μ V per div

CONVERSIONUpdate 20 times/sec
10,000 display divisions NTEP Legal for Trade

ACCURACY0.01% of full scale
Span +/-5ppm/ deg C
Zero +/-0.3uV+0.005% offset/ deg C

OUTPUTRS232 bidirectional
RS485 *
Baud 150,300,1200,2400,4800,9600, O, E, N
* Optional

KEYSZERO, UNITS, PRINT, OVER, UNDER

ANNUNCIATORSMOTION, ZERO, LB, KG, G, OZ, LB/OZ,
UNDER, ACCEPT, OVER, MOTION, NEGA-
TIVE, ZERO

DISPLAYBright red 0.56" high LED
6 digits
100,000 max

POWER120 VAC +/-10%, 50/60Hz, 60 watts

SIZE12"W x 3.25"D x 8.75"H, 12 lb
U bracket for desk top or wall mount
NEMA 4 **stainless steel** enclosure

Prices are subject to change without notice. Please call for current prices.

Other items are available from the manufacturers, please call for quote.

13-01 Pollitt Dr Ext
Fair Lawn NJ 07410
201-797-2718

Totalcomp
Components

www.totalcomp.com
sales@totalcomp.com
Fax 201-797-2287



7400M
Digital Weight Indicator



7400M Digital Weight Indicator

Wash down safe. The 7400M digital weight indicator can be mounted on a table, wall or even under a shelf using the versatile U bracket mount. The 304 stainless steel design ensures easy cleanability and long life. Bright red LED displays in lb, kg, oz, lb & oz. This versatile digital weight indicator can be used for replacement or retrofit applications where the scale base need not be replaced. Zero Band Checkweighing is an included feature with OVER, ACCEPT, UNDER indicators. User definable from 1 to 999,000 lb. An innovative gasket design have been combined to allow the 7400 indicator to meet the stringent NEMA 4X and IP69K classifications for washdown protection. Optional interfaces: Programmable, Bi directional RS-232 Interface, RS-485, 4-20mA, Fiber Optic, Washdown Ethernet, user definable data output. Optional setpoints: Up to 8 setpoints are available for use in process control. Accept/Reject, 4 internal relays or 8 digital outputs. 2 year warranty.

NTEP Legal for Trade 99-129
Canada AM-5347

Part Number	Weight	Stock	List
7400M Digital Weight Indicator	12 lb	6563	\$ 895.00
Service Parts			
SUB0513 pushbutton SS for 7400	0.09 lb	6454	95.00

SPECIFICATIONS

LOAD CELL5 VDC 150 mA
(4) 350 or (8) 700 ohm load cells

ANALOG INPUT0.3 μ V per div

CONVERSION44 updates per sec
10,000 display div NTEP Legal for Trade
50,000 div max

ACCURACY0.01% full scale

OUTPUT(2) Serial interfaces Choice of RS232,
RS485, USB 2.0, washdown Ethernet (wired
or wireless).

KEYS.ZERO (optional units, print)

ANNUNCIATORSlb, kg, oz, lb & oz

DISPLAYBright red LED display

POWER115 VAC 50/60Hz, 10 watts

SIZE16"W x 16"D x 9"H
304 **Stainless steel** enclosure
Nema 4
Versatile U bracket mount



7000XL Stainless Steel Indicator

Rugged 304 Washdown Safe **Stainless Steel** construction. Displays Weight In lb, kg, oz, g or lb & oz. Front panel keys: ZERO, PRINT, UNITS. 120 VAC, 60 Hz. Indicator 6" x 10" x 3"D 10 lb.

Canadian approval AM-5347
NTEP Legal for Trade 99-129

Part Number	Weight	Stock	List
7000XLM Digital Indicator	10 lb	3632	\$ 795.00

Options(factory installed)

EXOPT 303 wireless ethernet	1 lb	3691	508.00
EXOPT 308 rechargeble, battery w/board	2 lb	3692	141.00

Service Parts

SUB0427 Touch Panel for 7000XLS (4) screws	1 lb	4106	240.00
SUB0846 Touch Panel for 7000XL (12) screws	0.47 lb	4107	131.43
SUB0853 battery w/cables	2 lb	6657	113.00



7000XL



SPECIFICATIONS

LOAD CELL5 VDC
(4) 350 ohm load cell

ANALOG INPUT0.8 μ V to 30 μ V per div NTEP Legal for Trade

CONVERSION3 updates per second

OUTPUTRS232 standard bidirectional
* optional

KEYSZERO, UNITS, PRINT

ANNUNCIATORSlb, kg, g, oz, lb & oz

DISPLAYRed LED, 6 digit, 0.56" high

ACCURACY0.02% of full scale

POWER115 VAC, 50/60 Hz, (230 VAC optional)
EMI/ESD protected

SIZE10"W x 3"D x 6"H
IP69K, NEMA 4X

Prices are subject to change without notice. Please call for current prices.

Other items are available from the manufacturers, please call for quote.

13-01 Pollitt Dr Ext
Fair Lawn NJ 07410
201-797-2718



www.totalcomp.com
sales@totalcomp.com
Fax 201-797-2287



GSE-350



350 Weight Indicators - GSE

Service parts only for 350 indicators.

Part Number	Weight	Stock	List
Service Parts			
24350B-100C1 Output relay module with option bracket	1 lb	5730	215.00
44-35-43069 keypad membrane M375	1 lb	3716	\$ 256.00



560-GSE
Digital Indicator



560 Digital Weight Indicator - GSE

Options and service parts only for GSE-560

Part Number	Weight	Stock	List
Service parts			
44-78-37438 vinyl cover 560/660	1 lb	4973	\$ 30.00

Indicators



465 Weight Indicators - GSE

Service parts only for 465 indicators.

Part Number	Weight	Stock	List
Service Parts for 465			
421020-425336 Keyboard M465	1 lb	4029	\$ 195.00



GSE-465



660 & 665 Weight Indicator - GSE

Service parts only for 660 & 665

Part Number	Weight	Stock	List
Service parts			
420916-36371 GSE-665 database board	2 lb	7020	\$ 273.00
421019-42522 keypad M66X	1 lb	4902	209.00



GSE-350 Zinc

Indicators

Prices are subject to change without notice. Please call for current prices.

Other items are available from the manufacturers, please call for quote.

13-01 Pollitt Dr Ext
Fair Lawn NJ 07410
201-797-2718



www.totalcomp.com
sales@totalcomp.com
Fax 201-797-2287

Indicators



SBI-240



SBI-240 Brecknell Indicator

Robust die cast aluminum indicator with adjustable steel desk/wall bracket
6-1/2 digit 1" / 25 mm seven segment LCD with white backlight, IP65
Measurement Canada AM-5998
NTEP Legal for Trade 15-084

Part Number	Weight	Stock	List
SBI-240 indicator	3.1 lb	4965	\$ 325.00

FB2250 Fairbanks Indicator

The versatile Fairbanks FB2250 Series is a reliable choice for any industrial weighing applications. Available in **Stainless steel** Nema 4X and ABS plastic. Bluetooth wireless technology with a 4-20ma output and fieldbus interface to connect to PLC's or PC's with a programmable RS232 output. It has the highest Ingress protection rating available. Choice of AC or AC/DC power and desk or wall mount stand on all models. Units are lb, kg, oz, g, lb & oz.

NTEP Legal for Trade 09-023

Part Number	Weight	Stock	List
28990-SS indicator FB2250	5 lb	60	\$ 1,233.00

Service Parts

31350 Keypad Overlay	1 lb	544	122.71
----------------------	------	-----	--------



FB2250



SPECIFICATIONS

LOAD CELL(8)350 ohm
(16)1,000 ohm load cells

OUTPUTCOM 1 (standard)RS232, RS422, RS485
COM 2 (standard)RS232, RS422, RS485
and 20ma; External DB9 on ABS model

CAPACITYSelectable 0 to 999,999

GRADUATION SIZE . .0.0001 to 50

POWERChoice of AC or AC/DC
(requires 5 D cell batteries)

KEYSZERO, PRINT, UNITS, TARE,ON/OFF,
B/G NET

ANNUNCIATORS . . .lb, oz, lb/oz, kg, g

DISPLAY1.0: high, 6-digit, green backlit LCD

SIZE104"W x 4.5"D x 8" H
Panel mount SS 11" H x 13.2"W x 3.2"D
Stainless steel NEMA 4X both desk & panel
mount ABS plastic

Indicators

Fairbanks Scales

Analog scale interface and indicator parts

Part Number	Weight	Stock	List
30997 Analog scale interface	1 lb	4155	\$ 324.00
15745 Knob for 2300 indicator	0.16 lb	6268	17.10

Prices are subject to change without notice. Please call for current prices.

Other items are available from the manufacturers, please call for quote.

Avery Weigh-Tronix



ZM400

ZM400 Avery Weightronix

ZM400 series indicators are IP69K certified, 304 brushed stainless steel. Designed for long service in extreme conditions, including corrosive environments and frequent heavy washdown, they are available in desk, wall or column mount versions. The ZM400 features six operational keys, including Zero, Print, Units, Tare, Select and F1. Built-in operation routines or applications can be configured at the time of installation, tailored to your requirements. Multi-scale input, ethernet port, two RS232 serial interface ports, USB host port facilities. DeviceNet, Profibus, Analog output, USB device, Current Loop, RS485/RS422 and Ethernet wireless options are also available.

Part Number	Weight	Stock	List
ZM-401 Indicator AWT05-507987	9 lb	689	\$ 2,742.00

Options

ATWT05-505632 Analog output option 4-20ma, 0-20ma, 0-24ma, 0-5vdc, 0-10vdc, +/-5vdc, +/-10vdc	0.43 lb	870	647.00
---	---------	-----	--------

Avery Weigh-Tronix



ZM303

ZM303 Avery Weightronix

Highly adaptable and available with a choice of display technologies and enclosures, these high performance, multi-function indicators give you the flexibility required to suite different applications. Suitable for the office and high pressure and heavy washdown environments, the ZM300 series will analyze, store, display and transmit data across a range of applications.

Part Number	Weight	Stock	List
ZM303 Indicator AWT05-505797	7.78 lb	715	\$ 2,247.00



WE2107 Indicator HBM

The WE2107 weighing indicator: you can rely on this talented all-rounder to monitor and control your weighing processes. It does not matter whether these are static or dynamic: the WE2107 is at your side. With first-rate metrological properties and many practical functions that are perfect for incorporating into the industrial weighing process. Because the WE2107 is more than just a weighing indicator: the WE2107 adapts perfectly to your needs, whatever the challenge. So with the WE2107, you will be able to implement many different scale types with just one device. Housing is available in stainless steel or ABS.

IP65

OIML R76. Class III/IV

Part Number	Weight	Stock	List
1-WE2107-1 Indicator ABS housing	3 lb	3840	\$ 1,562.00
1-WE2107M-SS-1 Indicator stainless steel housing	3 lb	3854	1,434.00

Service parts

1-KAB175-12-1 HBM transducer cable M12 F 12m For use with HBM analog load cells hygenic design	1.05 lb	3813	574.28
---	---------	------	--------



WE2107M-SS-1



IDS410



IDS410 & IDS422 IDS Multi Function Weight Indicator

Preprogrammed with 10 different modes of operation to accommodate most of the basic scale applications.

Canadian AM 5216

NTEP Legal for Trade 96-133

Part Number	Weight	Stock	List
-------------	--------	-------	------

Service parts

0110 mainboard IDS410	1 lb	4062	735.00
-----------------------	------	------	--------



IDS430 IDS Weight Indicator

Preprogrammed with 8 different modes of operation to accommodate most of the basic scale applications. Indicator lights for GROSS, NET, MOTION, ZERO, lb, kg.

Mode 0: Normal Basic gross or net mode weighing.

Mode 1: Fill to Setpoint Single setpoint fill with relay output control and weigh print.

Mode 2: Over/Under Checkweigh Provides (3) TTL outputs and (2) setpoints. Outputs for use with lights or alarms to indicate OVER, UNDER or BETWEEN setpoints.

Mode 3: Vehicle Weigh In/Out with totals Weigh In/Out program for up to 500 vehicles. Maintains running totals for each vehicle. Provides reporting functions.

Mode 4: Multi Container/Axle Auto Weighing Auto weighs and prints each weight placed on the scale. Each weight is sequentially numbered and accumulated. The total can be printed manually or automatically. Provides traffic light control.

Mode 5: Auto Axle Weigh on Long Scales Same as mode 4 but previous axles are auto tared.

Mode 6: ID Tare, Print and Total Provides tare entry and recall by ID. Prints ID, sequence # and GTN weights. Keeps running totals by ID. Provides reporting functions.

Mode 7: Peak Hold Display or print the peak gross or net weight detected.

Canadian AM 5216

NTEP Legal for Trade 96-133

Part Number	Weight	Stock	List
IDS430 Weight Indicator	8 lb	2207	\$ 1,225.00

Service Parts

0110 mainboard IDS430	1 lb	4092	735.00
7320 keyboard IDS440 101156-1	1 lb	4935	187.00



IDS430
Weight Indicator



IDS440
Weight Indicator





T51XW Indicator



T51XW Indicator - Ohaus

T51XW: Service parts only for T51XW Ohaus indicator

Part Number	Weight	Stock	List
Service Parts			
72210183 Power Supply T31 T51 T71	1 lb	7102	\$ 141.00



T31P & T32XW 3000 Defender Indicators - Ohaus

T32MC & T32ME: ABS plastic front panel with painted carbon steel rear housing; includes painted carbon steel table-wall mount bracket. 6 digit, 7 segment red LED (T32ME), 6 digit, 7 segment LCD (T32MC). Weighing units for: lb, oz, lb-oz, kg, g. 3 LED:

Red/Green/Yellow annunciators for: Parts Counting, Display Hold, Checkweighing, Weight Accumulation. 4 button mechanical switches, raised tactile keys. Painted steel mounting bracket included. 12 VDC, 0.5A, external AC adapter.

T31P: ABS plastic housing with internal rib reinforcements. 6 digit, 7 segment backlit LCD. Raised tactical keys. Built in bidirectional RS232C with manual, continuous and interval printing. Weighing units for: lb, oz, lb-oz, kg, g. Hardware configuration lockout switch. Software included for parts counting mode with selectable sample sizes. Selectable span calibration points. Averaging level, auto zero tracking. Battery saving off, Geo Code geographical gravity calibration adjustment. 9 VDC Internal lead acid rechargeable battery and AC adapter.

DT33XW: Stainless Steel Washdown Indicator for Basic Industrial Applications.

i-DT33XW is the go-to indicator when simplicity and accuracy are necessary in wet environments, or where the ability to frequently wash down is a must. The IP66 washdown stainless steel housing indicator features software for Weighing, Parts Counting, Check weighing and Totalization, a large multicolor backlit LCD display, stainless steel mounting bracket, and a built-in bi-directional RS232C for printing or data connectivity.

NTEP Legal for Trade 09-090

Part Number	Weight	Stock	List
T32MC LCD*	4 lb	5761	\$ 373.00
T32ME LED*	4 lb	5762	373.00

* NTEP Legal for Trade

T31P ABS plastic indicator	4 lb	2471	474.00
DT33XW SS enclosure indicator	7 lb	2472	500.00

Service Parts

46001802 120 VAC adapter w/o prong set	2 lb	716	79.00
46001780 prong set, Int'l	1 lb	714	28.00
72231279 PCB main T32XW	1 lb	8021	246.00
72236893 power supply T32XW	0.69 lb	6826	134.00
80251748 wall bracket T32XW	1 lb	6869	71.00
72202163 LCD display T31P T32XW/M	1 lb	8022	58.00
72198198 battery T32XW	1 lb	8023	49.00
30680655 main board T31P	1 lb	6812	159.00
72202158 housing top T31P	0.38 lb	6773	54.00
72202159 housing bottom T31P	0.52 lb	6484	54.00
7221284 overlay T32XW	1 lb	6333	58.00
.00			
72202333 cable kit for T31P T32XW	1 lb	392	28.00



T32MC Indicator



T32ME Indicator



T31P Indicator



DT33XW Indicator

Indicators

SPECIFICATIONS

LOAD CELL5 VDC, 60 ma
(4)350 ohm load cells
no remote sense

CONVERSIONWithin 2 seconds

OUTPUTRS232 serial bidirectional
for printing or to PC

KEYSON/ZERO/OFF,
PRINT/UNITS/FUNCTION/MODE,
TARE/MENU

ANNUNCIATORSlb, oz, lb/oz, kg, g

DISPLAYLCD display, 6 digit 1" high
LEC display, 6 digit 0.8" high

SIZET31P: 8.2" x 2.8" x 6.5"
T31XW: 8.3" x 2.8" x 5.8"

POWERInternal battery, rechargeable,
lead acid and AC adapter 120 VAC to
9 VDC 0.5A, 100 hour battery operation

Prices are subject to change without notice. Please call for current prices.

Other items are available from the manufacturers, please call for quote.

13-01 Pollitt Dr Ext
Fair Lawn NJ 07410
201-797-2718



www.totalcomp.com
sales@totalcomp.com
Fax 201-797-2287

PENNSYLVANIA



7400+ Indicator



7400+ Weight Indicator - Pennsylvania

Weight only. **Stainless steel** washdown enclosure w/ U bracket. Process and bulk applications. 10 point linearization. Terminal strip load cell connect with sealed fittings. Push button tare, 5 button front panel. 16 bit Microprocessor with flash memory. 60 updates per second. (2) data interfaces from a list of (4) including RS232, RS422, RS485, 20 ma current loop. 120 VAC 50/560 Hz, (4) year warranty.

NTEP Legal for Trade 97-009

Canadian AM-5647

Part Number	Weight	Stock	List
7400+ Indicator	10 lb	6768	\$ 815.00

Options

AO Analog Output	1 lb	6769	275.00
Solid State Relays (4)	1 lb	6770	275.00

Service Parts

57820 Keypad for 7400+	1 lb	6975	72.00
------------------------	------	------	-------

SPECIFICATIONS

LOAD CELL10 VDC, 450 ma
(10)350 or (20)700 ohm load cells
Remote sense for long cables

ANALOG INPUT0.3 μ V per division

CONVERSION60 updates/second
10,000 division display NTEP Legal for Trade
40,000 division display, Industrial
16,777,216 division internal

ACCURACY0.01% full scale

OUTPUT(2) Serial interfaces Choice of RS232, RS485,
RS422, 20ma serial loop
Time & date w/battery backup

KEYSZERO, GROSS/NET, TARE, UNITS, PRINT

ANNUNCIATORSZero, Stable, Gross, Net, lb, kg, g, oz

DISPLAYBright green LED 0.56" high
5 digits (199,999)

POWER120 VAC +/-10%, 60Hz, 5 watts

SIZE12"W x 4"D x 7"H, 10 lb
304 **Stainless steel** enclosure
Desk top or wall mount



7500+ Weight Indicator - Pennsylvania

Weighing and counting in a standard indicator. Compact size, NEMA 4 **stainless steel** enclosure. U bracket for desk or wall mounting. Automatic Sample Update for superb counting results. Very fast 60 updates per second. One button counting. (2) data interfaces from a list of (4) including RS232, RS422, RS485, 20 ma current loop. 120 VAC 50/560 Hz, (4) year warranty.

NTEP Legal for Trade 97-009
Canadian AM-5647

Part Number	Weight	Stock	List
7500+ Indicator	10 lb	6578	\$ 755.00

Options

48445 load cell connector kit	1 lb	6581	33.00
-------------------------------	------	------	-------

Service Parts

Keypad for 7500+	1 lb	6976	65.00
75807 main board for 7500+	1.15 lb	6551	412.00



7500+ Indicator

SPECIFICATIONS

LOAD CELL10 VDC, 450 ma
(10)350 or (20)700 ohm load cells
Remote sense for long cables

ANALOG INPUT0.3 μ V per division

CONVERSION60 updates/second
10,000 division display NTEP Legal for Trade
40,000 division display, Industrial
16,777,216 division internal

ACCURACY0.01% full scale

OUTPUT(2) Serial interfaces Choice of RS232, RS485,
RS422, 20ma serial loop
Time & date w/battery backup

KEYSZERO, SAMPLE SET, UNITS, PRINT

ANNUNCIATORS . . . Zero, Stable, Gross, Net, lb, kg, g, oz

DISPLAYBright green LED 0.56" high
6 digits (199,999)
Decimal location selectable
Div 1, 2, 5

POWER120 VAC +/-10%, 60Hz, 5 watts

SIZE12"W x 4"D x 7"H, 10 lb
304 **Stainless steel** enclosure
NEMA 4
Desk top or wall mount

Prices are subject to change without notice. Please call for current prices.

Other items are available from the manufacturers, please call for quote.

13-01 Pollitt Dr Ext
Fair Lawn NJ 07410
201-797-2718



www.totalcomp.com
sales@totalcomp.com
Fax 201-797-2287



7600E Indicator



7600E Digital Weigh and Batch Indicator - Pennsylvania

Stainless steel washdown enclosure with U Bracket mount for wall or shelf. Replacement for UMC600-AAAC. Pre-programmed Batch and Truck Scale options for easy set up. 0.6" high red LED. 10 point linearization. Smart Serial programmable Serial Data strings. Direct Keyboard entry of Setpoint values and Tare Weights. 6 button front panel. 24 bit delta sigma; 16 mv Signal Input. 30 updates per second. (2) data interfaces, RS232C or RS485, 20 ma current loop. 117 VAC 50/560 Hz, (2) year warranty.

NTEP Legal for Trade 97-009

Canadian AM-5647

Part Number	Weight	Stock	List
7600E Indicator	10 lb	6775	\$ 855.00
7600E Indicator AC w/ battery	10 lb	6422	1,105.00
7600E 12VDC only, no battery	10 lb	6436	855.00
7600EW Indicator panel mounted SS	10 lb	6419	1,005.00

Options

57811 Analog Output	1 lb	6769	275.00
57818 Solid State Relays (4) AC	1 lb	6770	275.00
57869A Ethernet module	1 lb	6887	275.00
Factory Calibration to Pennsylvania base		6773	49.00

Service Parts

57819 mainboard 7600E	1 lb	6753	495.00
57860 Keypad for 7600E	1 lb	6978	72.00



7600E Indicator
Rear view

SPECIFICATIONS

LOAD CELL5 VDC, 120 ma
(8)350 or (10)1,000 ohm load cells

ANALOG INPUT0.1 μ V Graduation

CONVERSION30 updates/second

ACCURACY0.01% full scale

OUTPUT(2) Serial interfaces Choice of RS232C or
RS485, 20ma current loop

KEYSZERO, GROSS/NET, TARE, SET, TARE RE-
CALL, START/STOP, BASE, UNITS, I.D.,
CHECK, PRINT, CLEAR, ENTER.

ANNUNCIATORS ...Zero, Stable, Gross, Net, lb, kg, g, oz

DISPLAYRed high intensity LED 0.56" high
6 digits (199,999)

POWER117 VAC +/-10%, 60Hz, 20 watts

SIZE10"W x 4"D x 6.5"H, 10 lb
304 **Stainless steel** enclosure
NEMA 4
Desk top or wall mount



7600+ Weight Indicator - Pennsylvania

Weighing and counting in a standard indicator. Compact size, NEMA 4 stainless steel enclosure. U bracket for desk or wall mounting. Automatic Sample Update for superb counting results. Very fast 60 updates per second. One button counting. 0-9 keypad for entry of Piece weight, Tare weight and 6 digit ID. (2) data interfaces from a list of (4) including RS232, RS422, RS485, 20 ma current loop. Peak Hold feature to remember the last highest weight displayed. Peak can be reset with ZERO key. 120 VAC 50/560 Hz, (4) year warranty.

NTEP Legal for Trade 97-009

Canadian AM-5647

Part Number	Weight	Stock	List
7600+ Indicator	10 lb	6579	\$ 815.00

Options

Dual or triple range for 7600+	1 lb	5717	195.00
--------------------------------	------	------	--------

Service Parts

Keypad for 7600+	1 lb	6977	79.00
------------------	------	------	-------



7600+ Indicator



SPECIFICATIONS

LOAD CELL10 VDC, 450 ma
(10)350 or (20)700 ohm load cells
Remote sense for long cables

ANALOG INPUT0.3 μ V per division

CONVERSION60 updates/second
10,000 division display NTEP Legal for Trade
40,000 division display, Industrial
16,777,216 division internal

ACCURACY0.01% full scale

OUTPUT(2) Serial interfaces Choice of RS232, RS485,
RS422, 20ma serial loop
Time & date w/battery backup

KEYSZERO, SAMPLE SET, GROSS/NET, TARE,
PIECE WEIGHT, KEYBOARD TARE, BASE,
UNITS, PRINT, CLEAR, CHECK, ON/OFF,
ENT.

ANNUNCIATORS . . . Zero, Stable, Gross, Net, lb, kg, g, oz

DISPLAYBright green LED 0.56" high
6 digits (199,999)
Decimal location selectable
Div 1, 2, 5

POWER120 VAC +/-10%, 60Hz, 5 watts

SIZE12"W x 4"D x 7"H, 10 lb
304 **Stainless steel** enclosure
NEMA 4
Desk top or wall mount

Indicators

Prices are subject to change without notice. Please call for current prices.

Other items are available from the manufacturers, please call for quote.

13-01 Pollitt Dr Ext
Fair Lawn NJ 07410
201-797-2718

 **Totalcomp**
Components

www.totalcomp.com
sales@totalcomp.com
Fax 201-797-2287



TRANSCELL TECHNOLOGY, INC.



TI-500EP



TI-500

TI-500P Weight indicator - Transcell Technology

Weighing indicator with an extremely small package size. Full duplex RS232 serial port. Aluminum enclosure. Three point calibration is standard. **Peak hold** is a selectable feature of the TI-500EP. Remote display is a selectable feature of the TI-500EP. All have **stainless steel** swivel stand. 120 VAC adapter is included. Includes 15 ft load cell cable with connector.

NTEP Legal for Trade 96-028

Part Number	Weight	Stock	List
TI-500EP Indicator w/Green LED display, peak hold	4 lb	6437	\$ 295.00
TI-500 Indicator w/LCD w/backlite display	4 lb	2840	235.00
TI-500E Indicator w/green LED	4 lb	4408	282.55

Service Parts

AC adapter 120 VAC to 9 VDC 0.5A for, TI-500EP	1 lb	2489	28.50
Load cell connector for TI-500P & TI-500EP	1 lb	2952	29.00
Load cell cable 15 ft w/connector for TI-500P & TI-500EP	1 lb	2687	60.50
Rear panel load cell connector, flange mount	1 lb	2953	29.00
Front overlay for TI-500ESS	1 lb	4821	35.80



SPECIFICATIONS

LOAD CELL 10 VDC, 120 ma
(4)350 or (8)700 ohm load cells

ANALOG INPUT 0.4 μ V per div, 1.0 μ V per div NTEP

CONVERSION 25 updates per sec
5,000 display div NTEP Legal for Trade
50,000 div, industrial

OUTPUT Full duplex RS232
Baud 1200, 2400, 4800, 9600, O, E, N

ACCURACY 0.01% of full scale

KEYSlb/kg, ZERO, NET/GROSS, TARE, PRINT,

ANNUNCIATORSGross, Net, Tare, Zero, lb, kg, pcs

DISPLAYLiquid Crystal display or Green LED
6 digit 0.6" high
Decimal point selectable
Display div 1,2,5,10,20,50,100,200

POWER120 VAC wall adapter 50/60 Hz, 0.5 watt
output is 12VDC, 500 mA

SIZET500P,T500EP:
6.81"W x 2.26"D x 3.19"H, 4 lb
Aluminum enclosure,
desk top or wall mount

Prices are subject to change without notice. Please call for current prices.

Other items are available from the manufacturers, please call for quote.



TRANSCCELL TECHNOLOGY, INC.

RF Weight indicator - Transcell Technology

Blue Tooth transmission of a load cell signal to the weight indicator.
 Radio Frequency weighing kit includes an NTEP Legal for Trade indicator TI-500RF and an NTEP module TI-500 RFTM-B1 that will connect to a load cell or a load cell junction box. An 120VAC adapter for use with the indicator is also included as well as a 20 ft load cell cable with a connector to the indicator. The module has 3 cables, One is 4 conductor to connect to the output of the load cell or load cell junction box. The other cable will connect to 5.9VDC power in the junction box. The third cable is not connected. The power can come from an optional battery pack or an optional AC to DC adapter. Module has an internal antenna. Indicator also has an internal antenna. Module can be mounted in an optional mounting bracket. Wireless distance is 700 feet with no obstacles and 250 feet through 3 walls.

NTEP Legal for Trade 12-002

Part Number	Weight	Stock	List
RF kit Alpha XR-1000m	10 lb	1841	\$ 925.00

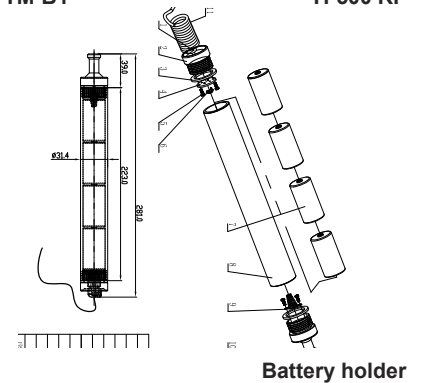
Options

P380931051 Battery holder RFTM	1 lb	1842	4400
P3800110010 Mounting bracket RFTM	1 lb	1843	20.00
AD007009 AC adapter 100-240 VAC to 5.9 VDC RFTM	1 lb	1844	24.00



TI-500 RFTM-B1

TI-500 RF



Battery holder



Mounting bracket

Indicators

Prices are subject to change without notice. Please call for current prices.

Other items are available from the manufacturers, please call for quote.

13-01 Pollitt Dr Ext
 Fair Lawn NJ 07410
 201-797-2718

Totalcomp
 Components

www.totalcomp.com
 sales@totalcomp.com
 Fax 201-797-2287



TRANSCELL TECHNOLOGY, INC.



TI-1500SL



TI-500SL Weight indicator - Transcell Technology

Stainless steel. 0.8", 6 digit LCD display with LED backlight. Displays up to 50,000 graduations. Keys for: Units/ Zero/Off, Net/Gross, Tare, On/Print. Annunciators for: Gross, Net, kg, lb, Center of Zero, Stable, Tare, Negative. Auto weight capture for unstable and live loads. Full duplex RS-232C Serial Port- demand or continuous. Stainless steel swivel stand. Full front panel calibration. Nema 4x/IP65. 12VDC, 800 mA wall adapter. NTEP Legal for Trade 94-083

Part Number	Weight	Stock	List
TI-500SL indicator	10 lb	1560	\$ 425.00

Service Parts

AC adapter 120 VAC to 6 VDC 0.8A	1 lb	2812	28.50
P360195 faceplate TI-500SL	1 lb	1563	21.43
349070054 battery NP3-6	2 lb	1591	57.20
P215460010 Main Board TI-500SL	1 lb	1597	179.00

SPECIFICATIONS

LOAD CELL	10 VDC, 120 ma 5 VDC, 240 ma (4)350 or (8)700 ohm load cells	KEYS	UNITS, ZERO/OFF, NET/.GROSS, TARE, ON/PRINT
ANALOG INPUT	0.4 μ V per div, 1.0 μ V per div NTEP Legal for Trade	ANNUNCIATORS	Zero, Net, Gross, Stable, lb, kg
CONVERSION	10 updates per sec 5,000 display div NTEP Legal for Trade 50,000 div, industrial	DISPLAY	LCD, 6 digit 8" high Decimal point selectable Display div 1,2,5,10,20,50,100,200
ACCURACY	0.01% of full scale.	POWER	Internal rechargeable lead acid batteries w/adapter 120 VAC 50/60 Hz, to 12 VDC, 650 ma
OUTPUT	Full duplex RS232 Baud 1200, 2400, 4800, 9600, O, E, N	SIZE	9"W x 2.9"D x 5.5"H, 10 lb NEMA 4X Stainless steel Desk top or wall mount

Prices are subject to change without notice. Please call for current prices.

Other items are available from the manufacturers, please call for quote.



TI-700K Waterproof weight indicator - Transcell Technology

Stainless steel. Large easy to read LCD display. Applications are Piece counting, Remote Display, Animal, Peak Hold, Checkweighing, Accumulation, Self diagnosis. Gross/Net/Tare print ticket mode with 6 digit ID number. Duplex RS232 serial port, USB port. Internal power supply. Custom unit. Heavy duty swivel mounting stand. 100-240 VAC, IP69K
 NTEP Legal for Trade 16-086
 Canadian approval AM-6038C

Part Number	Weight	Stock	List
TI-700K Waterproof weight indicator	8 lb	2824	\$ 480.00



TI-700K



SPECIFICATIONS

LOAD CELL 3.3 VDC, 240 ma (8)350 ohm load cells	KEYS Capacitive touch keypad MENU/OFF, UNITS, ZERO, NET/GROSS, TARE, PRINT, ON
ANALOG INPUT +/-3.125mv/v max	ANNUNCIATORS Gross, Net, Tare, Zero, lb, kg, pcs, Stable Units: lb, kg, g, oz, lb-oz
ACCURACY 0.01% of full scale	APPLICATIONS Piece counting, remote display, animal, peak hold, checkweigher, accumulation.
CONVERSION 10,000 display div NTEP Legal for Trade 100,000 divisions max 260,000 internal counts at 2 mv/v	DISPLAY LCD, 7 digit 1" high Decimal point selectable Display div 1,2,5,10,20,50,100,200
OUTPUT Full duplex RS232, USB port, time/date Optional: Second RS232, RS484, Bluetooth Optional: 0-10VDC, 4-20ma, Wi-Fi	SIZE 231mmW x 78mmD x 140mmH, 8 lb Enclosure is polycarbonate and waterproof ABS plastic IP69K Desk top or wall mount
POWER 100-240 VAC 50/60 Hz, 0.5 watt	

Indicators

Prices are subject to change without notice. Please call for current prices.

Other items are available from the manufacturers, please call for quote.

13-01 Pollitt Dr Ext
 Fair Lawn NJ 07410
 201-797-2718



www.totalcomp.com
 sales@totalcomp.com
 Fax 201-797-2287

Prices are subject to change without notice. Please call for current prices.

Other items are available from the manufacturers, please call for quote.



TI-1680 Weight indicator - Transcell Technology

Stainless steel. Large easy to read LCD display. Applications are Piece counting, Remote Display, Peak Hold, Checkweighing, Batching, Accumulation, Self diagnosis. Gross/Net/Tare print ticket mode with 6 digit ID number. Two full duplex RS232 serial port. Internal power supply. Custom unit. 2.0, full speed, peripheral USB port. Heavy duty swivel mounting stand. Nema 4x, IP65. 240 VAC. NTEP Legal for Trade 10-078

Part Number	Weight	Stock	List
TI-1680 Indicator LED, SS	9 lb	4450	\$ 640.00

Service Parts

P360755952 Keypad	1 lb	4407	72.90
P215759517 Main Board	1 lb	4551	288.00



TI-1680



SPECIFICATIONS

LOAD CELL	10 VDC, 240 ma (8)350 or (16)700 ohm load cells	KEYS	UNITS, ZERO, MODE, TARE, PRINT, C/CE, F1, SET POINT, UNDER, OVER, ID, ENTER, DEC. Pt, *, 0-9
ANALOG INPUT	0.4 μ V per div, 1.0 μ V per div NTEP Legal for Trade	ANNUNCIATORS	Gross, Net, Tare, Zero, Under, Accept, Over, lb, kg, Stable, 01-04
CONVERSION30 updates per sec 10,000 display div NTEP Legal for Trade 50,000 div, industrial 300,000 div internal	DISPLAY	LED, 6 digit 1" high Decimal point selectable Display div 1,2,5,10,20,50,100,200
OUTPUT	Full duplex RS232 Simplex RS232, 20ma current loop serial Baud 1200, 2400, 4800, 9600, O, E, N	ACCURACY001% of full scale
		POWER	120 VAC 50/60 Hz, 0.5 watt
		SIZE	10"W x 4"D x 8"H, 7 lb NEMA 12 ABS plastic enclosure or NEMA 4X Stainless steel Desk top or wall mount

Prices are subject to change without notice. Please call for current prices.

Other items are available from the manufacturers, please call for quote.

13-01 Pollitt Dr Ext
Fair Lawn NJ 07410
201-797-2718

Totalcomp
Components

www.totalcomp.com
sales@totalcomp.com
Fax 201-797-2287



920i Indicator

920i Indicator

The 920i® programmable weight indicator/controller is different, yet intuitively familiar for even the least experienced operators. It is truly the first of its kind to blend revolutionary user interfaces, total flexibility and ultimate processing performance with the simplicity of a basic weight indicator. We have taken the best features from weight instruments, PLCs and computers and added more robust electronics, a crisp graphical display and programmable softkeys. Put it all together inside a virtually indestructible enclosure and you have one of the most advanced HMIs the industry has ever seen.

Part Number	Weight	Stock	List
920i Indicator w/USB 115003	12 lb	550	\$ 2,678.00
RL-480 indicator	7 lb	260	875.00
Service Parts for 920i			
164371 display board, LCD	1 lb	216	339.00
66502 membrane switch panel	0.10 lb	240	107.14
67601 24 channel I/O board	1 lb	1557	352.00
6705 pulse counter card	1 lb	1558	333.00
71333 power supply board	0.54 lb	1615	225.71
117930 CPU board	1 lb	1529	1,118.00
67614 display board	1 lb	1507	351.00
186276 display transreflective LCD module	0.48 lb	1616	365.38
Service Parts for RL-480			
1361345 overlay	1 lb	261	90.00
Service Parts for IQ+210			
53651 PC board	0.97 lb	1504	511.00
156794 SCT30-AN converter, 12-24VDC, analog, RS485	0.49 lb	1505	423.00
71014 switch, piezo, non tactile, SPST	0.03 lb	1606	57.00

SPECIFICATIONS

LOAD CELL 10 VDC, 200ma (8) 350 ohm load cells
 ANALOG INPUT0.3 μV per div
 CONVERSION7.5 to 960 hz 10,000 display divisions
 ACCURACY0.01% full scale
 OUTPUT(4) RS485
 (9600 baud, 8 bits, no parity, 1 stop bit)

KEYSKeypad (0-9), (27) key membrane panel,
 (5) softkeys, (10) user defined
 ANNUNCIATORS(60) configurable operator prompts
 DISPLAYLCD w/adjustable contrast and backlight
 POWER120 VAC, 60hz, 12 watts
 SIZE10.56"W x 4.6"D x 10.87"H, 10 lb
 NEMA 4X SS IP66

Prices are subject to change without notice. Please call for current prices.

Other items are available from the manufacturers, please call for quote.



PUE 7 Measuring Indicator

PUE 7: Indicators are intended for building industrial scales. Plastic housing for rack installations. 5.7" color display, touch panel and membrane keypad. Counting pieces with labeling. Dosage with recipes. KTP (CPG) for pre-packages. Two infrared proximity sensors with programmable functionality installed. Two platforms can be connected to the indicator. PUE 7 supports 1 weighing platform in standard version. Ports for barcode scanners, receipt and label printers, transponder card and readers and typical PC equipment. Window CE 6.0 operating system. Two proximity sensors. IP54. 230VAC.

PUE 7P SS: Indicators are intended for building industrial scales. Stainless steel housing for rack installations. 5.7" color display, touch panel and membrane keypad. Counting pieces with labeling. Dosage with recipes. KTP (CPG) for pre-packages. Two infrared proximity sensors with programmable functionality installed. Four platforms can be connected to the indicator. PUE 7 supports 1 weighing platform in standard version. Ports for barcode scanners, receipt and label printers, transponder card and readers and typical PC equipment. Window CE 6.0 operating system. Front IP66/67, whole IP32. 15VDC

Part Number	Weight	Stock	List
PUE 7 Measuring Indicator	3 lb	6313	\$ 251.00
PUE 7P SS Measuring Indicator	4 lb	6314	671.00



PUE 7 Measuring Indicator



PUE 7P Measuring Indicator

Indicators

SPECIFICATIONS

LOAD CELL 5 VDC, 62ma (4) 350 ohm load cells
 ANALOG INPUT0.5 µV per div
 CONVERSION6,000 div class III
 ACCURACY0.01% full scale
 OUTPUT (2) RS232
 (2) USB
 Ethernet
 (4)in / (4) out

KEYSTouch panel (8) keys
 ANNUNCIATORSGraphic display
 DISPLAY5.7" graphic display
 POWERPUE7: 120 VAC
 PUE7P: 15 VDC
 SIZEPUE7: 8"W x 5.5"D x 2.8"H
 plastic enclosure IP54
 PUE7/P: 8.5"W x 4.7"D x 6.2"H
 stainless steel enclosure, panel mount
 front IP66/67
 whole IP32

Prices are subject to change without notice. Please call for current prices.

Other items are available from the manufacturers, please call for quote.



MW2001
Digital Indicator



MW2001 MicroWeigh Digital Indicator - WeighTech

Engineered to be the best in its class. Designed to outperform and outlast other indicators. 5 Touch sensitive keypad responds to human touch, not knives or other sharp instruments. Dust resistant under IP6 makes this the only indicator in this class. Key electronic components permanently sealed in ABS plastic enclosure. Bright, easy to read, 16 character backlit alphanumeric LCD display. Front access panel. Standard weighing, check weighing, bench or floor scales, batch weighing. Can be retrofitted to existing scales. No double boxing. Electrical potted parts for safety when panel is exposed or taken off. Meets industry standards of IP69K, NEMA 4, NEMA 6, IPX7, IPX8. NTEP Legal for Trade 01-082

Part Number	Weight	Stock	List
MW2001-HW	6 lb	2863	\$ 997.00
MW2001 Indicator battery operated	7 lb	2864	1,035.00

Options

Battery for MW2001 indicator	1 lb	2865	67.00
------------------------------	------	------	-------

SPECIFICATIONS

LOAD CELL 4.5 VDC +/- 5%, 120 ma
(4)350 ohm load cells
no remote sense

ANALOG INPUT 0.18 μ V/ div

CONVERSION 7.5/15/30 times/sec display update
10,000 display divisions

ACCURACY 0.01% of full scale

OUTPUT RS232
9600 Baud, 8 bits, no parity,
1 stop bit

KEYS. UNITS/CANCEL, MENU/HELP,
PRINT/ENTER, TARE, ZERO/ON

ANNUNCIATORSGross, Net, Motion, Zero, lb, kg, g, oz, lb/oz

DISPLAYLCD w/ adjustable contrast and backlight, 16
character alphanumeric

POWER120 VAC, 60Hz, 12 Watts

SIZE8.25"W x 3.5"D x 5.25"H, 7 lb
ABS plastic enclosure,
NEMA 4, NEMA 6, IP69K

T Belting

Scale Pit T Belting

T-Belting is used on the sides of the scale platform away from the flow of traffic. The ends of the scale platform should use the T-Grip described below. T-belting is 4-1/2" wide and 1/4" thick at top. The vertical is 1-1/2" high and 1/4" thick.

Part Number	Weight	Stock	List
T-belting, 70 ft (22m)	66 lb	2846	\$ 451.00

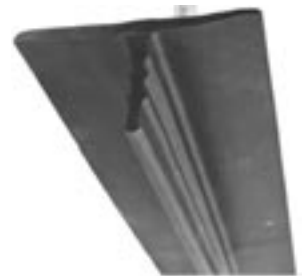


T-Belt

Scale pit T-Grip belting

T-Grip belting will stop unwanted product from getting into a truck scale pit with its unique design. The "T" section will slip into the gap between the scale platform and the pit wall. The gap must be 1/2" or larger to avoid any scale binding. The exclusive grips on the vertical section of the "T" hold on to the pit wall and platform to help prevent the belting from being pulled out with the normal flow of traffic. The T-Grip belting is installed around the perimeter of the scale platform. To allow ventilation, a gap of 8" to 12" can be left on the sides where there is little chance of product spillage. "T" belting is 5-3/4" wide and 1/4" thick at top. The vertical is 2-1/4" high and 7/16" thick.

Part Number	Weight	Stock	List
T-Grip belting, 70 ft (22m)	160 lb	347	\$ 568.05



T-Grip

Cable



MS3102A-14S-5P



MS3102A-14S-5S



MS3102A-14S-6S



MS3102A-16S-1S



MS3106A-14S-5P



MS3101A-14S-5S



MS3106A-14S-5S



MS3106A-14S-6P



MS3101A-14S-6S



MS3106A-14S-6S



MS3106A-16S-1P



MS3101A-16S-1S



MS3106A-16S-1S

Connectors

Used to connect load cells and indicators. ElectroScale uses the MS3106A- 14S-6P and MS3101A-14S-6S connector. Make sure you have selected either pins (plugs) or sockets (receptacles). The connectors without flanges have strain relief cable clamps.

Part Number	Contacts	Weight	Stock	List
MS3106A-14S-5P	5 pins w/collar	1 lb	409	\$ 20.80
MS3101A-14S-5S	5 sockets	1 lb	410	27.20
MS3106A-14S-5S	5 sockets w/collar	1 lb	1069	22.90
MS3106A-14S-6P	6 pins w/collar	1 lb	254	21.40
MS3101A-14S-6S	6 sockets	1 lb	255	28.90
MS3106A-14S-6S	6 sockets w/collar	1 lb	1070	23.40
MS3106A-16S-1P	7 pins w/collar	1 lb	256	22.70
MS3101A-16S-1S	7 sockets	1 lb	257	21.90
MS3106A-16S-1S	7 sockets w/collar	1 lb	1006	28.00
With mounting flange				
MS3102A-14S-5P	5 pins	1 lb	1708	12.20
MS3102A-14S-5S	5 sockets	1 lb	3585	13.20
MS3102A-14S-6S	6 sockets	1 lb	1068	13.20
MS3102A-16S-1S	7 sockets	1 lb	1011	18.20

Connectors

For Digital Weight Indicators and printers

Part Number	Used with	Mates with	Weight	Stock	List
57-30500	8130 desk mount, A&D	57-40500	1 lb	633	\$ 36.00
57-30360	Electroscale DR525	57-40360	1 lb	630	33.00
DE-09P	Ohaus PBI serial	DE-09S	1 lb	581	16.80
DE-09S	Ohaus PBI serial	DE-09P	1 lb	582	16.80
DA-15P	UMC 2000	DA-15S	1 lb	881	18.00
DA-15S	UMC 2000	DA-15P	1 lb	882	18.00
DB-25P	RS232-C, 550/551	DB-25S	1 lb	631	21.00
DB-25S	RS232-C	DB-25P	1 lb	1052	21.00
DC-37P	UMC2000, AO543	DC-37S	1 lb	634	23.00
DC-37S	WI 110	DC-37P	1 lb	1053	23.00
DD-50P	AN-5316	MD50F	1 lb	464	26.00



57-30360

57-30500



DE-09P

DA-15P

DB-25P

DC-37P

DD-50P



DE-09S

DA-15S

DB-25S

DC-37S

Cable

Hazardous Environment Blue Jacket Cable

Designed for intrinsically safe applications, must be wired according to Factory Mutual System approved diagram. 0.32 inch diameter. Polyurethane over PVC double jacketing provides superior chemical and abrasion resistance. Both foil and braided wire shields for added RFI and EMI protection. 6 conductors are industry standard color coded (red, black, green, white, blue, brown). Suited for longer runs where remote sense lines can be used. -22F to 126F (-30C to 80C) temperature rating.

Part Number	Weight	Stock	List
Hazardous Environment Blue Jacket Cable/per ft.	1 lb	3456	\$ 2.85



**Hazardous Environment
Blue Jacket Cable**

Prices are subject to change without notice. Please call for current prices.

Other items are available from the manufacturers, please call for quote.

Cable



72-N1

Splicing kit - Scotchcast

Inline splicing kit for shielded or non-shielded cable 1/4" to 5/8" dia. The translucent body is made of strong plastic in molded body halves. Mold body length is 7-3/16". Tongue and groove design provides a firm, solid joint. Simply snap together around the splice and seal the ends. Mix the 2104 Electrical Insulating and Sealing Compound in its Unipak container and pour it into the mold. 2104 Compound is a two part, low viscosity polyurethane for permanent splice protection. This compound flows well - even at low temperatures. It fills mold bodies completely and eliminates voids. Cure time is about 1 hour at 72 deg F and 20 hours at 20 deg F. The Unipak container allows fast mixing of premeasured portions that pour cleanly from the container. No tools or containers are needed. A loosely woven polyester spacer web, bonded to the inside of the mold body, allows even distribution of the compound around the splice. Included in the kit are compound, rubber tape end-sealing strips, and instructions. Excellent moisture seal protects against water entry.

Part Number	Weight	Stock	List
72-N1	1 lb	768	\$ 127.00



NM-44B

PVC Splice Box

Low cost/high performance high impact PVC(non-metallic). Weatherproof gasket cover for wet or corrosive environments indoors or outdoors. 7 position screw clamp terminal block on lid accepts up to No. 10 AWG wire. Cable connectors: (2) watertight nylon compression fittings. 0.69-395 cable diameters. 4" x 4" x 2-1/2" deep. Mounting ears molded into base.

Part Number	Weight	Stock	List
NM-44B	1 lb	2440	\$ 95.10

Cable



308A

BLH Load Cell Cable & Box

BLH summing box 308A-4-cp and 6 conductor load cell cable multi-cell interface for load cell signal conditioning instrumentation. Analog summing of up to (8) transducers (no trim pots that cause calibration shifts). The internal terminal block connection provides for either a (4) wire or (6) wire (remote sensing) hookup.

Part Number	Weight	Stock	List
207078 cable 6 conductor BLH, price per foot	1 lb	312	\$ 7.14
459339 summing box 308A-4-CP	12 lb	313	1,050.00

Prices are subject to change without notice. Please call for current prices.

Other items are available from the manufacturers, please call for quote.

Load Cell Cable

4 wire and 6 wire 20 gage (AWG) stranded tinned copper, vinyl insulation, aluminum shield with drain wire (100% shield coverage), vinyl jacket. Resistance is 10.3 ohms per 1,000 ft.
 4 Wire : Black, white, red, green and shield.
 6 Wire : Black, white, red, green, yellow, blue and shield.

Part Number	Weight	Stock	List
4 wire			
1 to 499 ft	4 lb/100 ft	190	\$ 1.55/ft
500 ft roll	20 lb	241	1.55/ft
1000 ft roll	40 lb	242	1.55/ft
6 wire			
1 to 499 ft	6 lb/100 ft	191	2.85/ft
500 ft roll	30 lb	244	2.85/ft
1000 ft roll	60 lb	245	2.85/ft



4 wire cable



6 wire cable

High Performance Load Cell Cable

The best available insulation resistance. The highest quality toughness and abrasion resistance. 4 wire and 6 wire 20 gage AWG stranded tinned copper. Each wire is insulated with Teflon which has the highest dielectric constant available. Shielding is tinned copper braid. Outer jacket is polyurethane for superior abrasion resistance. Consequently, the initial installation which requires stripping the jacket to expose the conductors is made more difficult with the tough polyurethane. But the long term benefits of this extremely strong jacket is worth the extra effort in installation. Resistance is 10.3 ohms per 1,000 ft.

Part Number	Weight	Stock	List
4 wire (1/4" dia)			
1 to 499 ft	7 lb/100 ft	1904	\$ 4.35/ft
500 ft roll	35 lb	1905	2,125.00(4.25/ft)
1000 ft roll	65 lb	1906	4,150.00(4.15/ft)
6 wire (5/16" dia)			
1 to 499 ft	10 lb/100 ft	1907	5.20/ft
500 ft roll	50 lb	1908	2,550.00(5.10/ft)
1000 ft roll	100 lb	1909	5,000.00(5.00/ft)



4 wire cable



6 wire cable

Armor Braid Load Cell Cable

Prevent rodents from eating through load cell cable with this **stainless steel** armor braid. 4 wire 22 gage (AWG) and 6 wire 20 gage (AWG) stranded tinned copper. Each wire is insulated with PVC and has a secondary nylon jacket. Next a Mylar sheath with a min of 35% overlap coverage. Shielding is tinned copper braided shield with 90% min coverage. Jacket is grey polyurethane. Armor braid is **stainless steel** for rodent and abrasion protection. 22 gage (AWG) resistance is 14.7 ohms per 1,000 ft. 20 gage (AWG) resistance is 10.3 ohms per 1,000 ft.
 4 wire : Black, white, red, green and shield.
 6 wire : Black, white, red, green, yellow, blue and shield.

Part Number	Weight	Stock	List
4 wire 22 gage (5/16" dia)			
1 to 499 ft	7 lb/100 ft	1073	\$ 6.75/ft
500 ft roll	35 lb	1074	6.65/ft
6 wire 20 gage (7/16" dia)			
1 to 499 ft	10 lb/100 ft	1665	7.45/ft
500 ft roll	50 lb	1666	7.35/ft



Armor Braid Cable

Prices are subject to change without notice. Please call for current prices.

Other items are available from the manufacturers, please call for quote.

Mounting



Rod End



Rod End
Stainless Steel

Rod Ends

Externally threaded with jam nut.

Thread (UNF)	Length	Bore	Shank	Dia	Width	Static load			Each List
						Capacity	Weight	Stock	
1/4-28	1.562	0.250	1.000	0.750	0.375	2,157 lb	1 lb	178	\$ 12.00
3/8-24	1.938	0.375	1.250	1.000	0.500	4,916 lb	1 lb	179	16.22
1/2-20	2.438	0.500	1.500	1.312	0.625	8,075 lb	1 lb	180	27.58
5/8-18	2.625	0.625	1.625	1.500	0.750	9,509 lb	1 lb	433	30.60
3/4-16	2.875	0.750	1.750	1.750	0.875	13,831 lb	1 lb	434	41.80
1-14	4.125	1.000	2.125	2.750	1.375	43,541 lb	2 lb	181	122.55
1-12	4.125	1.000	2.125	2.750	1.375	43,541 lb	3 lb	1012	137.00
1-1/4-12	4.125	1.250	2.125	2.750	1.093	44,500 lb	3 lb	1013	152.00
1-1/2-12	5.375	1.500	3.000	3.500	1.312	96,510 lb	5 lb	1014	236.00
2-12	8.000	2.000	4.625	5.000	1.750	225,457 lb	14 lb	1015	420.00

Rod Ends with Teflon liner for electrical isolation.

Use Bonding Braid across load cell to give a parallel path for high voltage and current present in lightning strikes.

Thread (UNF)	Length	Bore	Shank	Dia	Width	Static load			Each List
						Capacity	Weight	Stock	
1/4-28	1.562	0.250	1.000	0.750	0.375	2,158 lb	1 lb	322	\$ 27.27
1/2-20	2.438	0.500	1.500	1.312	0.625	6,660 lb	1 lb	323	31.27
3/4-16	2.875	0.750	1.750	1.750	0.875	11,518 lb	1 lb	324	54.80

Stainless Steel Rod Ends with Teflon liner for electrical isolation.

Stainless steel for corrosion resistance. Use Bonding Braid across load cell to give a parallel path for high voltage and current present in lightning strikes.

Thread (UNF)	Length	Bore	Shank	Dia	Width	Static load			Each List
						Capacity	Weight	Stock	
3/8-24	1.938	0.375	1.250	1.000	0.500	8,627 lb	1 lb	3263	\$ 86.80
1/2-20	2.438	0.500	1.500	1.312	0.625	15,130 lb	1 lb	3264	108.00
5/8-18	2.625	0.625	1.625	1.500	0.750	16,922 lb	1 lb	3265	156.00
3/4-16	2.875	0.750	1.750	1.750	0.875	25,549 lb	1 lb	3266	243.30

Insulated tension mounting assembly

Forged steel, zinc plated. Each assembly includes 2 insulators, 2 threaded adapters, 2 eye nuts, 2 links, 2 eye bolts, 2 coarse jam nuts, 2 fine jam nuts.

Part Number	Load cell	Steelyard	Assembly		Stock	List
	Thread	Thread	Length	Weight		
TMAI-1/4	1/4-28 UNF	1/4-20 UNC	11.5	2 lb	5387	\$ 106.00
TMAI-3/8	3/8-24 UNF	3/8-16 UNC	17.5	5 lb	5388	193.00
TMAI-1/2	1/2-20 UNF	1/2-13 UNC	19.25	7 lb	5389	332.94



Insulated tension mounting assembly

Prices are subject to change without notice. Please call for current prices.

Other items are available from the manufacturers, please call for quote.

Tension Alignment Assembly

Each alignment assembly includes an internally coarse threaded housing w/wrench flats which contains a Teflon insulator that mates with a spherical headed stud w/fine thread. The 3/4" and 1" units have a Delrin insulator. Includes (1) fine jam nut and (1) coarse jam nut. Side of housing has 1/4-20 tapped hole for attaching ground strap. Grounding screw not included. Zinc and clear chromate plated.

Part Number	Length	Capacity	Weight	Stock	List
TAA-1/4-28 to 1/4-20	4"	300 lb	1 lb	3287	\$ 134.40
TAA-3/8-24 to 3/8-16	4"	300 lb	2 lb	3288	134.40
TAA-1/2-20 to 1/2-13	4"	3,000 lb	2 lb	3289	134.40
TAA-1/2-20 to 5/8-11	4"	3,000 lb	2 lb	1273	134.00
TAA-3/4-16 to 3/4-10	5.38"	10,000 lb	4 lb	3290	134.40
TAA-3/4-16 to 1-8	5.38"	10,000 lb	4 lb	2950	220.00
TAA-1-14 to 1-8	5.25"	15,000 lb	4 lb	3041	281.00
TAA-1-14 to 1 1/4-7	5.25"	15,000 lb	5 lb	2951	260.40
TAA-1-1/4-12 to 1-1/2-6	6.6"	20,000 lb	6 lb	3203	284.55



TAA Tension Alignment Assembly

Eyes Nuts

Forged steel, galvanized(zinc coating) with jam nut. Recommend using a safety factor of 3 to 1 which matches the normal load cell 300% ultimate load.

Size Inches	Inside Dimintions	Ultimate Strenght	Weight	Stock	List
1/4-20	0.75 x 1.063	2, 500 lb	1 lb	447	\$ 18.75
3/8-16	1.00 x 1.250	5, 200 lb	1 lb	448	18.75
1/2-13	1.25 x 1.500	12, 000 lb	1 lb	449	21.56
5/8-11	1.50 x 2.000	16, 000 lb	1 lb	450	39.60
3/4-10	1.75 x 2.375	20, 000 lb	2 lb	451	26.10
1-8	2.25 x 3.063	36, 000 lb	3 lb	452	86.30



Eye Nut

Tension Mounting Assembly

Forged steel, zinc plated. Each assembly includes 2 eye nuts, 2 links, 2 eye bolts, 2 coarse jam nuts, 2 fine jam nuts.

Load cell Thread	Steelyard Thread	Assembly Length	Weight	Stock	List
1/4-28 UNF	1/4-20 UNC	8.5	1 lb	173	\$ 85.10
3/8-24 UNF	3/8-16 UNC	11.5	2 lb	174	67.50
1/2-20 UNF	1/2-13 UNC	13.25	3 lb	175	97.13
5/8-18 UNF	5/8-11 UNC	16.25	4 lb	176	128.00
3/4-16 UNF	3/4-10 UNC	18.75	8 lb	453	226.00
1-14 UNF	1-8 UNC	23.75	17 lb	177	433.00



Tension Mounting Assembly

Prices are subject to change without notice. Please call for current prices.

Other items are available from the manufacturers, please call for quote.

Mounting



Clevis

Clevis

Zinc plated steel with jam nut. Used to connect rod ends to threaded rod or bolts. Has 1/4-20 machine screw for termination of bonding braid (ground strap). Teflon washers provide electrical isolation for lightning protection. Electrical isolation is complete when used with Rod End that has Teflon liner.

Thread	Capacity	Pin Dia	Gap at pin	Weight	Stock	List
1/4-20 UNC	300 lb	0.240"	0.250	1 lb	587	\$ 105.00
3/8-16 UNC	300 lb	0.365"	0.375	1 lb	588	105.00
1/2-13 UNC	3,000 lb	0.490"	0.500	1 lb	488	114.80
5/8-11 UNC	10,000 lb	0.615"	0.675	2 lb	589	154.00
3/4-10 UNC	10,000 lb	0.740"	0.750	3 lb	590	154.00



Clevis
Stainless steel

Clevis-Stainless steel

Stainless steel with jam nut. Used to connect rod ends to threaded rod or bolts. Has 1/4-20 machine screw for termination of bonding braid (ground strap). Teflon washers provide electrical isolation for lightning protection. Electrical isolation is complete when used with Rod End that has Teflon liner.

Thread	Capacity	Pin Dia	Gap at pin	Weight	Stock	List
1/4-20 UNC	300 lb	0.240"	0.250	1 lb	7328	\$ 126.00
3/8-16 UNC	300 lb	0.365"	0.375	1 lb	7329	126.00
1/2-13 UNC	3,000 lb	0.490"	0.500	1 lb	7330	195.00
5/8-11 UNC	10,000 lb	0.615"	0.675	2 lb	7331	217.00
3/4-10 UNC	10,000 lb	0.740"	0.750	3 lb	7332	271.00



Tension Mounting Bolt

Tension Mounting Bolt

Each mounting bolt includes a hex machine screw, mating pair of spherical washers and jam nut, zinc plated.

Recommend using a safety factor of 3 to 1 which matches the normal load cell 300% ultimate load.

Thread (UNF-2)	Length	Tensile Strength	Weight	Stock	List
TMB-1/4-28	1.5"	5,880 lb	1 lb	454	\$ 6.00
TMB-3/8-24	2"	13,247 lb	1 lb	455	10.30
TMB-1/2-20	2.5"	23,550 lb	1 lb	456	11.00
TMB-5/8-18	3"	36,797 lb	1 lb	457	13.20
TMB-3/4-16	3.5"	52,987 lb	1 lb	458	18.40
TMB-1-14	4"	94,200 lb	2 lb	459	54.95
TMB-1-1/4-12	5"	128,789 lb	4 lb	1031	115.00
TMB-1-1/2-12	6"	185,456 lb	5 lb	1032	149.00
TMB-2-12	7"	329,700 lb	14 lb	1033	179.00

Prices are subject to change without notice. Please call for current prices.

Other items are available from the manufacturers, please call for quote.

Eye Bolts

Forged steel. Externally threaded with jam nut. Zinc plated.

Recommend using a safety factor of 3 to 1 which matches the normal load cell 300% ultimate load.

Thread (UNF) Fine thread	Overall length	Shank length	Inside eye	Outside eye	Ultimate Strength	Weight	Stock	Each List
1/4-28	2.000	1.00	0.750	1.187	2,500 lb	1 lb	182	\$ 9.50
3/8-24	2.875	1.25	1.000	1.813	5,200 lb	1 lb	183	15.10
1/2-20	3.125	1.50	1.187	2.000	12,000 lb	1 lb	184	46.70
5/8-18	3.687	1.75	1.375	2.500	16,000 lb	1 lb	185	31.42
3/4-16	4.063	2.00	1.500	2.813	20,000 lb	1 lb	440	52.20
1-14	5.187	2.50	1.813	3.562	36,000 lb	2 lb	186	83.33
1 1/4-12	7.500	3.00	2.187	4.438	75,000 lb	5 lb	1671	147.00
1 1/2-12	8.750	3.50	2.500	5.187	105,000 lb	8 lb	1672	275.00
2-12	10.875	4.00	3.250	6.875	140,000 lb	18 lb	1673	492.00

(UNC) Coarse thread

1/4-20	2.000	1.00	0.750	1.187	2,500 lb	1 lb	1112	8.70
1/2-13	3.125	1.50	1.187	2.000	12,000 lb	1 lb	583	13.10



Eye bolt

Stainless Steel Eye Bolts

Forged stainless steel with external threads and **stainless steel** jam nut.

Recommend using a safety factor of 3 to 1 which matches the normal load cell 300% ultimate load

Thread (UNF) Fine thread	Overall length	Shank length	Inside eye	Outside eye	Ultimate Strength	Weight	Stock	Each List
1/4-28	2.000	1.00	0.750	1.187	2,500 lb	1 lb	1763	\$ 50.80
1/2-20	3.125	1.50	1.187	2.000	12,000 lb	1 lb	1764	71.30
3/4-16	4.063	2.00	1.500	2.813	20,000 lb	1 lb	1765	120.60

Connecting Links

Forged steel, zinc plated with interlocking lugs.

Size (Inches)	Inside Dimensions	Weight	Stock	List
1/4	0.438 x 0.813	1 lb	441	\$ 13.30
3/8	0.563 x 1.094	1 lb	442	12.10
1/2	0.719 x 1.469	1 lb	443	14.90
5/8	0.813 x 1.750	1 lb	444	17.50
3/4	0.938 x 2.063	2 lb	445	34.90
1	1.750 x 2.625	3 lb	446	114.00
1-1/4	1.500 x 3.156	5 lb	736	297.00



1/4 to 1" Link



1-1/4 Link

Prices are subject to change without notice. Please call for current prices.

Other items are available from the manufacturers, please call for quote.

Mounting



Tension Cable with adjustable ends

Tension cable w/adjustable ends

Wire rope assembly has UNF (fine thread) on one fitting and UNC (coarse thread) on the other. The fittings on both ends of the cable will turn independently to allow for easy installation and adjustment. Threaded fittings are zinc plated steel with wrench flats. Galvanized cable with swaged **stainless steel** ball and shank on each end. Each end fitting has jam nut. Recommend using a safety factor of 3 to 1 which matches the normal load cell 300% ultimate load.

Thread	Overall Length	Rated Capacity	Ultimate Strength	End Fittings	Weight	Stock	List
TC1/4-28/20	3.5"	120 lb	480 lb	1/4-28 1"lg 1/4-20 1"lg	1 lb	752	\$ 40.60
TC1/4-28/16	4.0"	240 lb	480 lb	1/4-28 1"lg 3/8-16 1.25"lg	1 lb	1393	56.90
TC3/8-24/16	4.25"	230 lb	920 lb	3/8-24 1.25"lg 3/8-16 1.25"lg	1 lb	753	70.80
TC3/8-24/13	4.75"	230 lb	920 lb	3/8-24 1.25"lg 1/2-13 1.5"lg	1 lb	1394	57.20
TC1/2-20/13	5"	700 lb	2,800 lb	1/2-20 1.5"lg 1/2-13 1.5"lg	1 lb	754	64.66
All stainless steel construction							
TC1/4-28/20-SS	3.5"	120 lb	480 lb	1/4-28 1"lg 1/4-20 1"lg	1 lb	872	193.00
TC1/2-20/13-SS	5"	700 lb	2,800 lb	1/2-20 1.5"lg 1/2-13 1.5"lg	1 lb	4893	156.00



TC1/2-20/13-5.5

Tension cable w/swaged ends

Wire rope assembly has UNF (fine thread) on one fitting and UNC (coarse thread) on the other. Galvanized cable with swaged zinc plated threaded steel fittings on each end. Also available as all stainless steel. Each end fitting has jam nut. Recommend using a safety factor of 3 to 1 which matches the normal load cell 300% ultimate load.

Thread	Length	Capacity	Strength	Fittings	Weight	Stock	List
TC1/2-20/13-5.5	5.5"	1,400 lb	7,000 lb	1/2-20 1.5"lg 1/2-13 1.5"lg	1 lb	1397	\$ 88.20



TC1/2-20/13-5.5-SS

Stainless steel

TC1/2-20/13-5.5-SS	5.5"	1,400 lb	7,000 lb	1/2-20 1.5"lg 1/2-13 1.5"lg	0.26 lb	1473	112.00
--------------------	------	----------	----------	--------------------------------	---------	------	--------



TC1/2-13-M12-5.5

Metric/UNF thread

Stainless steel

TC1/2-13-M12	5.5"	1,400 lb	7,000 lb	M12 1.5"lg 1/2-13 1.5"lg	1 lb	1693	67.70
--------------	------	----------	----------	-----------------------------	------	------	-------

Load cell insulators

Protect load cells from damaging high voltage and current. Electrically isolate the load cell with one insulator at each end mounted in the tension hardware. Use in areas where close lightning strikes cause load cell burnouts. Recommend using a safety factor of 3 to 1 which matches the normal load cell 300% ultimate load.

Thread	Capacity	Strength	Thread	Size	Weight	Stock	List
5612-28	150 lb	600 lb	1/4-28UNF x 5/16"deep	1"x1"h	1 lb	1048	\$ 23.29
2781-16	750 lb	3,000 lb	3/8-16UNC x 1/2"deep	2-1/2"x2-1/2"h	1 lb	428	26.08
2781-24	750 lb	3,000 lb	3/8-24UNF x 1/2"deep	2-1/2"x2-1/2"h	1 lb	463	60.29
2781-13	750 lb	3,000 lb	1/2-13UNC x 5/8"deep	2-1/2"x2-1/2"h	1 lb	429	37.03
2781-20	750 lb	3,000 lb	1/2-20UNF x 3/4"deep	2-1/2"x2-1/2"h	1 lb	462	68.95
2781-20/13	750 lb	3,000 lb	1/2-20UNF & 1/2-13UNC x 3/4"deep	2-1/2"x2-1/2"h	1 lb	966	52.85
ST-1015	3,000 lb	12,000 lb	1/2-13UNC x 9/16"deep(gray)	2-13/32"x 2-13/32"h	2 lb	382	154.00



5612

2781



ST-1015

Threaded adapters

Externally threaded for connecting load cells to insulators. Also useful where mounting space is limited. Steel, zinc plated. Adapters have jam nuts at each end.

Part Number	Thread	Length	Weight	Stock	List
A 1/4-28/28	1/4-28 full length	1.00"	1 lb	699	\$ 3.20
A 1/4-28/20	1/4-28x1/2"lg 1/4-20x1/2"lg	1.00"	1 lb	717	3.20
A 1/4-28/16	1/4-28x1"lg 3/8-16x1"lg	2.00"	1 lb	1409	6.70
A 1/4-28/24	1/4-28x1"lg 3/8-24x1"lg	2.00"	1 lb	1410	7.90
A 3/8-24/24	3/8-24 full length	1.25"	1 lb	718	3.00
A 3/8-24/16	3/8-24x1"lg 3/8-16x1"lg	2.00"	1 lb	719	3.20
A 1/2-20/20	1/2-20 full length	1.50"	1 lb	720	6.06
A 1/2-13/13	1/2-13 full length	1.50"	1 lb	2346	6.06
A 1/2-20/13	1/2-20x1"lg 1/2-13x1"lg	2.00"	1 lb	721	6.43
A 1/2-20/13-2.5	1/2-20x1-1/4";1/2-13x1-1/4"	2.50"	1 lb	1405	7.80
A 3/4-16/10-3.25	3/4-16x2-1/8";3/4-10x1-1/8"	3.25"	1 lb	1406	12.10
A 1/2-13x12"	1/2-13 full length	12"	1 lb	496	8.90
A 3/4-10x12"	3/4-10 full length	12"	1 lb	497	11.85



Threaded Adapter

Prices are subject to change without notice. Please call for current prices.

Other items are available from the manufacturers, please call for quote.

Mounting



Quick link

Quick link

Zinc plated link easily connects mounting hardware such as shackles, eye bolts, links, eye nuts and chain.

Size	Working Load limit	Weight	Stock	List
1/4" Quick link	880 lb	1 lb	1945	\$ 5.40
5/16" Quick link	1,540 lb	1 lb	1946	6.30
3/8" Quick link	2,200 lb	1 lb	1947	17.50
1/2" Quick link	3,300 lb	1 lb	1948	14.95



Shackle

Forged Shackles

Used to connect rod ends to eye bolts, eye nuts or hooks.

Nominal Size	Capacity	Pin Dia.	Gap Pin	Weight	Stock	List
1/4	1,000 lb	5/16	0.500	1 lb	435	\$ 6.20
3/8	2,000 lb	7/16	0.656	1 lb	436	8.50
7/16	3,000 lb	1/2	0.719	1 lb	437	10.80
1/2	4,000 lb	5/8	0.813	1 lb	438	11.80
3/4	7,500 lb	7/8	1.250	1 lb	439	29.00

Spherical Washer pair

Concave and convex pair of washers are used to provide a firm mounting surface for a rod or bolt when there is a slight off perpendicular condition.

Part Number	I.D.	O.D.	Thickness	Weight	Stock	List
Black finish tool steel						
1/4" Spherical washer	9/32	5/8	3/16	1 lb	755	\$ 3.80
3/8" Spherical washer	13/32	7/8	1/4	1 lb	756	9.40
1/2" Spherical washer	17/32	1-1/8	5/16	1 lb	757	6.50
5/8" Spherical washer	21/32	1-3/8	5/16	1 lb	758	8.90
3/4" Spherical washer	25/32	1-5/8	3/8	1 lb	759	8.90
1" Spherical washer	1-1/16	2	1/2	1 lb	760	13.30
1-1/4" Spherical washer	1-5/16	2-5/8	1/2	1 lb	761	27.40
1-1/2" Spherical washer	1-9/16	2-7/8	9/16	1 lb	762	34.00
2" Spherical washer	2-1/16	3-7/8	3/4	2 lb	763	51.90

Stainless steel

1/4" SS spherical washer	9/32	5/8	3/16	1 lb	1161	9.20
3/8" SS spherical washer	13/32	7/8	1/4	1 lb	1162	12.10
1/2" SS spherical washer	17/32	1-1/8	5/16	1 lb	1163	17.72
5/8" SS spherical washer	21/32	1-3/8	5/16	1 lb	1164	15.66
3/4" SS spherical washer	25/32	1-5/8	3/8	1 lb	1165	22.20
1" SS spherical washer	1-1/16	2	1/2	1 lb	1166	34.60
1-1/4" SS spherical washer	1-5/16	2-5/8	1/2	1 lb	1167	78.30
1-1/2" SS spherical washer	1-9/16	2-7/8	9/16	1 lb	1168	75.80
2" SS spherical washer	2-1/16	3-7/8	3/4	2 lb	1169	114.00



Spherical Washer

Prices are subject to change without notice. Please call for current prices.

Other items are available from the manufacturers, please call for quote.

Load Cup

Load cup for use with single ended beam load cells. Heat treated and polished stainless steel construction. Screw driving slot at end of stud for vertical adjustment.. Ball is not included with cup.

Part Number	Ball	Thread	Length	Weight	Stock	List
TLC1220 load cup	5/8" dia	1/2-20	1.25"	1 lb	5362	\$ 38.00
TLC3416 load cup	7/8" dia	3/4-16	1.50"	1 lb	5363	48.30



TLC1220
Load cup

Ball Cup or Cone

Bearing cup and ball or conical load button for use with TB2 and TB3 single ended beam load cells. Wrench flats on end of stud for vertical adjustment.

Part Number	Weight	Stock	List
Bearing cup and 7/8" dia ball for TB2/TB3 beam	1 lb	1474	\$ 66.60
Conical load button for TB2/TB3 beam	1 lb	708	83.33



Conical
Load button
100-300 lb



TB2/TB3
Bearing cup
and 7/8" dia ball

Load Button

Load button for use with load cells. Heat treated and polished stainless steel construction. Wrench flats for easy disassembly.

Part Number	Capacity	Thread	Length	Weight	Stock	List
TLB1220 load button	250 to 5K	1/2-20	0.7"	1 lb	2915	\$ 35.00
TLB3416 load button	5 to 10K	3/4-16	0.9"	1 lb	2916	60.64



Load button 1/2-20



Load button 3/4-16

Mounting



**3"x4"x5/8"1/2-13
Mounting plate, for welding**



**Spacer plates for single
ended beam load cells**

Mounting plate for floor scale load beam cells

This mounting plate is 3" x 4" x 5/8" thick with (2) drilled and tapped 1/2-13UNC thread having 1" spacing center to center. This plate is for welding to the underside of a floor scale to provide a convenient mounting surface for the single ended load beam cells. Plate is unpainted without any plating or finish. Must be primed and painted with the floor scale.

Part Number	Weight	Stock	List
3"x4"x5/8"1/2-13 Mounting plate	2 lb	2791	\$ 29.20

Spacer for Beam Cells

This **Stainless steel** spacer plate will provide clearance between a single ended beam cell and the mounting surface. Three thicknesses 0.080", 1/4" and 3/8" are available. The hole size and spacing will fit typical beam load cells

Part Number	Thickness	Size	Capacity	Weight	Stock	List
TBS-80-5-SS	0.080"	1.25" x 2.25"	1K-5K SE	1 lb	6623	\$ 17.90
TBS-80-10-SS	0.080"	1.50" x 3.00"	5K-10K	1 lb	6624	21.40
TBS-1/8-5-SS	1/8"	1.25" X 2.25"	1k-5K SE	1 lb	6807	22.00
TBS-1/4-5-SS	1/4"	1.25" x 2.25"	1K-5K SE	1 lb	6625	25.70
TBS-1/4-10-SS	1/4"	1.50" x 3.00"	5K-10K	1 lb	6626	34.00
TBS-1/4-20-SS	1/4"	2.00" x 4.00"	15K-20K	2 lb	6627	45.00
TBS-3/8-5-SS	3/8"	1.25" x 2.25"	1K-5K SE	1 lb	6628	30.10

Spacer for beam cells, (nickel plated)

TBS-1/8-5-NP	1/8"	1.25" x 2.25"	1K-5K SE	1 lb	6800	16.00
--------------	------	---------------	----------	------	------	-------



FR
4 Hole Retainer

Foot Retainer (New installation)

Foot retainer for new installation of floor scales. The mild steel plate has 4 mounting holes and is completely under the floor scale platform. The hole diameter is 1/8" larger than the foot dia for easy installation.

Part Number	Size	Foot dia	Hole dia	Weight	Stock	List
FR-1.875	4" x 4" x 1/4"	1-3/4"	1-7/8"	1 lb	6459	\$ 24.00
FR-2.000	4" x 4" x 1/4"	1-7/8"	2"	1 lb	6607	24.00
FR-2.125	4" x 4" x 1/4"	2"	2-1/8"	1 lb	6608	24.00
FR-2.625	4" x 4" x 1/4"	2-1/2"	2-5/8"	1 lb	6609	24.40
FR-3.125	4.5" x 4.5" x 1/4"	3"	3-1/8"	1 lb	6610	28.14
Stainless Steel						
FR-3.125	4.5" x 4.5" x 1/4"	3"	3-1/8"	1 lb	6516	42.80

Foot Retainer (Existing installation)

Foot retainer for existing scales. When a scale cannot be removed for adding retainers, these longer two hole mild steel versions make the task easy. Simply raise each corner of the floor scale and slip the foot retainer under the beam foot. The two mounting holes extend past the edge of the floor scale platform for drilling and bolting to the floor. The whole diameter is 1/8" larger than the foot dia for easy installation.

Part Number	Size	Foot dia	Hole dia	Weight	Stock	List
FRL-1.875	4" x 4" x 1/4"	1-3/4"	1-7/8"	1 lb	3131	\$ 22.42
FRL-2.000	3" x 4.5" x 1/4"	1-7/8"	2"	1 lb	4630	22.42
FRL-2.125	3" x 4.5" x 1/4"	2"	2-1/8"	1 lb	4631	22.42
FRL-2.625	4" x 4.5" x 1/4"	2-1/2"	2-5/8"	1 lb	4632	24.00
FRL-3.125	4" x 5" x 1/4"	3"	3-1/8"	1 lb	4633	24.00
FRL-3.625	4.5" x 6" x 1/4"	3-1/2"	3-5/8"	1 lb	4795	28.14



FRL
2 Hole Retainer

Mounting



Jam nuts

Jam Nuts

Hex nut, zinc plated.

Fine Thread (UNF)	Weight	Stock	List
1/4-28	1 lb	1125	\$ 0.14
3/8-24	1 lb	1126	0.14
1/2-20	1 lb	1127	0.24
5/8-18	1 lb	1128	0.38
3/4-16	1 lb	1129	0.49
1-14	1 lb	1130	2.73
1-12	1 lb	1184	12.50
1 1/4-12	1 lb	1183	9.90
1 1/2-12	1 lb	1182	13.00
2-12	1 lb	1181	29.70

Coarse Thread (UNC)

	Weight	Stock	List
1/4-20	1 lb	1131	\$ 0.14
3/8-16	1 lb	1132	0.14
1/2-13	1 lb	1133	0.17
5/8-11	1 lb	1134	0.24
3/4-10	1 lb	1135	0.49
1-8	1 lb	1136	0.64

Jam Nuts, Stainless steel

Hex nut, stainless steel.

Fine Thread (UNF)	Weight	Stock	List
1/4-28 UNF SS	1 lb	1760	\$ 0.90
3/8-24 UNF SS	1 lb	1565	1.30
1/2-20 UNF SS	1 lb	1761	1.83
5/8-24 UNF SS	1 lb	1566	1.75
3/4-16 UNF SS	1 lb	1762	2.83
Coarse Thread (UNC)	Weight	Stock	List
1/4-20 UNC SS	1 lb	211	\$ 0.90
1/2-13 UNC SS	1 lb	4892	1.40

Prices are subject to change without notice. Please call for current prices.

Other items are available from the manufacturers, please call for quote.

Mounting

Bolts

Hex head cap screws, **Stainless steel.**

Coarse Thread (UNC)	Weight	Stock	List
1/2-13 x 2-SS	1 lb	2102	\$ 8.45
1/2-13 x 2.5-SS	1 lb	2233	8.95

Fine Thread (UNF)	Weight	Stock	List
1/2-20 x 2.5-SS	1 lb	4373	\$ 16.95
1/2-20 x 3-SS	1 lb	4569	18.00



Bolt

Bolts

Hex head cap screws, zinc plated.

Coarse Thread (UNC)	Weight	Stock	List
1/2-13 x 1-3/4	1 lb	2735	\$.75

Fine Thread (UNF)	Weight	Stock	List
1/4-28 x 1.5"-ZP	1 lb	2131	\$ 0.40
3/8-24 x 2"-ZP	1 lb	2132	1.10
1/2-20 x 2.5"-ZP	1 lb	2133	1.90
5/8-18 x 3"-ZP	1 lb	2134	4.50
3/4-16 x 3.5"-ZP	1 lb	2135	6.70
1-14 x 4"-ZP	1 lb	2136	17.90
1-1/4-12 x 5"-ZP	1 lb	3604	46.70
1-1/2-12 x 6"-ZP	1 lb	3605	100.00
2-12 x 7"-ZP	1 lb	3606	197.00

Washer

Split lock washer, zinc plated.

Part number	Weight	Stock	List
1/2" Split lock washer	1 lb	2747	\$.33



Split lock washer

Prices are subject to change without notice. Please call for current prices.

Other items are available from the manufacturers, please call for quote.

Mounting



CBBF



WF



TBF Disassembled

TBF



EBF 1420

Beam feet

These feet screw into the threaded load hole in single ended beam load cells.

Stainless steel captive ball bearing foot with 10 deg pivoting and 360 deg rotation.

Part Number	Min Ht	Max Ht	Pad	Wt	Stock	List
CBBF-1/2-20x1-7/8-SS	1-3/4"	3"	1-7/8" dia	1 lb	4864	\$ 68.04
CBBF-1/2-20x2-SS	1-3/4"	3"	2" dia	1 lb	4865	68.04
CBBF-1/2-20x2-1/2-SS	1-3/4"	3"	2-1/2" dia	1 lb	4866	68.04
CBBF-1/2-20x3-SS	1-3/4"	3"	3" dia	1 lb	4020	68.25
CBBF-3/4-16x3-SS	2-1/2"	4-1/4"	3" dia	2 lb	4021	104.49
CBBF-1-14x3-SS	2-1/2"	4-1/4"	3" dia	2 lb	4022	153.33
CBBF-1-12x3-SS	2-1/2"	4-1/4"	3" dia	2 lb	4023	153.33

Alloy steel captive ball bearing foot with 10 deg pivoting and 360 deg rotation.

Part Number	Min Ht	Max Ht	Pad	Wt	Stock	List
CBBF-1/2-20x1-7/8-AS	1-3/4"	3"	1-7/8" dia	1 lb	4867	\$ 44.94
CBBF-1/2-20x2-AS	1-3/4"	3"	2" dia	1 lb	4868	44.94
CBBF-1/2-20x2-1/2-AS	1-3/4"	3"	2-1/2" dia	1 lb	4869	44.94
CBBF-1/2-20x3-AS	1-3/4"	3"	3" dia	1 lb	4870	44.94
CBBF-3/4-16x3-AS	2-1/2"	4-1/4"	3" dia	2 lb	4871	74.03
CBBF-1-14x3-AS	2-1/2"	4-1/4"	3" dia	2 lb	4872	88.41
CBBF-1-12x3-AS	2-1/2"	4-1/4"	3" dia	2 lb	4873	120.00

Rubber cap for CBBF. Molded rubber caps for harsh or wet environments.

Part Number	Wt	Stock	List
Rubber cap for 1/2-20x1-7/8" & 2" dia	1 lb	4874	\$ 9.90
Rubber cap for 1/2-20x2-1/2" & 3" dia	1 lb	4875	21.30
Rubber cap for 3/4-16x3" dia	1 lb	4876	10.80

Beam feet

Replacement feet that are commonly used on Weigh-Tronix® floor scales. They are made of solid stainless steel for hard usage. These feet screw into the threaded load hole in single ended beam load cells.

Part Number	Wt	Stock	List
WF-1/2-13x1-3/4	1 lb	4877	\$ 62.65
WF-5/8-11x2	1 lb	4878	81.30

Beam feet - Metric

Alloy steel swivel foot with non slip rubber base. Ball and rocker socket design prevents debris from entering joint. Allows horizontal movement similar to rocker pin design. Built in hex nut for height adjustment.

Part Number	Wt	Stock	List
TBF-M12	1 lb	6904	\$ 30.00
TBF-M18	2 lb	6905	45.00

Scale foot

For use with Pennsylvania Scales, bases and scales. Plastic end cap with 1/4-20 UNC stainless steel stud.

Part Number	Wt	Stock	List
EBF1420 Plastic SS foot 1/4-20	1 lb	270	\$ 16.60

Prices are subject to change without notice. Please call for current prices.

Other items are available from the manufacturers, please call for quote.

Mounting

Beam feet

These feet screw into the threaded load hole in single ended beam load cells.

Stainless steel stud and base will resist corrosion. Uneven floors are accommodated with the oblique spheroid joint which has hex wrench flats and jam nut for height adjustment. The ball and socket joint has the ball under the socket which keeps dust and dirt from entering joint. Bottom of foot is bonded with rubber to stop slipping. 30 degree swivel and 360 degree rotation.

Part Number	Min Ht	Max Ht	Pad	Wt	Stock	List
TBF1/2-20-SS	2-1/8"	3-3/8"	3" dia	2 lb	1781	\$ 82.70
TBF3/4-16-SS	2-3/4"	4-1/8"	3 1/2" dia	3 lb	1782	113.00



TBF

Beam feet

Stainless steel heat treated and electropolished. Rubber insert is bonded into a recess at the bottom of the foot. This prevents the foot from sliding on the floor. 60 deg swivel and 360 deg rotation.

Part Number	Min Ht	Max Ht	Pad	Wt	Stock	List
SBF3/8-16SS	1-3/8"	2-1/2"	1-1/4" dia	1 lb	1241	\$ 36.50
SBF1/2-20x1-7/8-SS	1-3/4"	3-1/4"	1-7/8" dia	1 lb	584	60.30
SBF1/2-20x3-SS	1-3/4"	3-1/4"	3" dia	2 lb	2677	90.60
SBF3/4-16-SS	2-3/8"	4-1/4"	3" dia	2 lb	585	93.30

Scale foot

SBF5/16-18SS	1-3/8"	2 1/2"	1 1/4" dia	1 lb	1497	36.50
--------------	--------	--------	------------	------	------	-------



SBF-SS

Beam feet

Alloy steel with zinc plate finish. Rubber insert is bonded into a recess at the bottom of the foot. This prevents the foot from sliding on the floor. 60 deg swivel and 360 deg rotation.

Part Number	Min Ht	Max Ht	Pad	Wt	Stock	List
SBF3/4-16	2-3/8"	4-1/8"	3" dia	2 lb	75	\$ 96.60



SBF

Mounting

Prices are subject to change without notice. Please call for current prices.

Other items are available from the manufacturers, please call for quote.

13-01 Pollitt Dr Ext
Fair Lawn NJ 07410
201-797-2718

 **Totalcomp**
Components

www.totalcomp.com
sales@totalcomp.com
Fax 201-797-2287

Mounting



DBF

Beam feet

Diamond Brand swivel beam foot. Swivel ball bearing foot with non-slip rubber base.

Part Number	Min Ht	Max Ht	Pad	Wt	Stock	List
Alloy Steel						
DBF 1/2-20	2-3/8"	3-1/2"	2-3/8"	1 lb	2522	\$ 28.00
DBF 3/4-16	2-1/8"	3-3/8"	2-3/8"	2 lb	2526	42.00
Stainless Steel						
DBF 1/2-20-SS	2-3/8"	3-1/2"	2-3/8"	1 lb	4313	36.00



NBF

Beam feet

Neoprene rubber with steel insert for 10 deg pivoting and 360 deg rotation.

Part Number	Min Ht	Max Ht	Pad	Wt	Stock	List
NBF1/2-20	1-7/8"	3-1/4"	3" dia	1 lb	77	\$ 34.00
NBF3/4-16	2-1/2"	4-1/8"	5" dia	3 lb	79	80.00



RBF

Beam feet

Rigid rubber with steel insert for no pivoting and no rotation.

Part Number	Min Ht	Max Ht	Pad	Wt	Stock	List
RBF1/2-20x1-7/8	1"	3"	1-7/8" dia	1 lb	4024	\$ 35.00
RBF1/2-20x2-1/2	1"	3"	2-1/2" dia	1 lb	4025	35.00
RBF1/2-20x3	1"	3"	3" dia	1 lb	4026	35.00
RBF3/4-16x3	1"	3"	3" dia	1 lb	5381	58.60

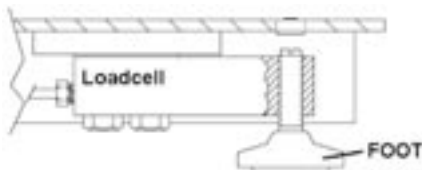


LFR

Beam Feet

Used in Transcell scales.

Part Number	Height	Wt	Stock	List
LFR-2x1/2-20	2" dia	1 lb	4997	\$ 21.30
LFR-2Sx1/2-20 SLOT	2" dia	1 lb	4975	21.30



Fairbanks foot

Fairbanks Foot Assembly

Rubber and steel with load pin and retaining bolt. For use with HR 3400.

Part Number	Height	Wt	Stock	List
63899 Foot assembly	2.24" dia	1 lb	4007	\$ 117.00

Mounting

Rubber-Bumper

Rubber bumper with unthreaded hole 1-1/2" OD

Part Number	Height	Wt	Stock	List
9540K36 Rubber Bump (10) pack	3/4" dia	1 lb	4000	\$ 34.60



Rubber
Bumper



Beam foot Assembly

For use on Cardinal Beam scale. Include rocker pin with "o" rings between 2" dia foot base and threaded stud M12X1.75".

Part Number	Height	Pad	Wt	Stock	List
1930-B363-QA Foot assy	3-1/8"	2" dia	1 lb	4098	\$ 242.00

Rice Lake Surefoot beam foot

Used in Rice Lake floor scales.

Stainless steel w/ neoprene
1/2-20NF x 3.47" dia x 2.62" H

Part Number	Height	Pad	Wt	Stock	List
18756 Surefoot 1/2-20	2.62"	3.47" dia	0.81 lb	7431	\$ 64.28



18756 Surefoot

Mounting

Avery Weigh-Tronix

Weigh-Tronix beam foot

Used in Weigh-Tronix floor scales.

Part Number	Height	Pad	Wt	Stock	List
55637-0013 Weigh-Tronix foot	—"	—" dia	1 lb	7578	\$ 289.00

Prices are subject to change without notice. Please call for current prices.

Other items are available from the manufacturers, please call for quote.

13-01 Pollitt Dr Ext
Fair Lawn NJ 07410
201-797-2718

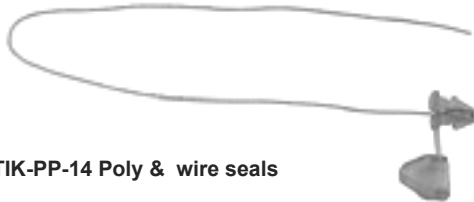
 **Totalcomp**
Components

www.totalcomp.com
sales@totalcomp.com
Fax 201-797-2287

Supplies



TIK-A Marking pliers



TIK-PP-14 Poly & wire seals

Polypropylene Plastic Security Seals

Polypropylene and wire seal for the applications that will not accept the traditional lead and wire seal. This seal will also comply with paragraph S.1.8. of Handbook 44. This seal is installed without any tools. A sealing press is not required. Simply insert the wire through the sealing holes and bend it around the insert and snap the seal closed. If the seal must be marked with identification numbers or letters, the seal would be stamped with special marking pliers prior to installing the seal. The wire is 14" long, single strand galvanized steel, 0.028" dia. Marking pliers have two special steel dies for impressing marks in one or both faces of the seal. The dies are custom embossed. Each die can have up to 4 letters or numbers i.e., initials on one die, company or year on other die. Allow 4 to 6 weeks for embossing dies.

Part Number	Weight	Stock	List
TIK-PP-14 poly & wire seal (pack of 100)	1 lb	2342	\$ 76.60
TIK-A Marking pliers w/o embossed dies	1 lb	2343	154.00
Embossed die, 4 characters	1 lb	2344	142.00

Press has 2 dies. (2) dies must be ordered separately with each pliers.

Press for Security Seals

Security seals comply with paragraph S.1.8. of Handbook 44. The flexible wire goes thru holes in the indicator case and then through the seal. The sealing press will lock the wire by crimping the soft metal and emboss the characters on the dies. Sealing press, 5" long, steel construction. Press comes with mating pair of engraved flat dies for use on lead seals. Each die can have up to 4 letters or numbers i.e., initials on one die, company or year on other die.

Allow 4 to 6 weeks for engraving dies.

Part Number	Weight	Stock	List
5" Bulldog seal press with engraved dies	2 lb	431	\$ 188.00
Replacement die, 4 characters, engraved	1 lb	432	54.30

Press has 2 dies.



5" Bulldog

Lead Security Seals

Lead and wire seals comply with paragraph S.1.8. of Handbook 44. Lead seals are 3/8" diameter and have a cavity at one end so that when wire is doubled back through the lead it is concealed when the lead is pressed. The wire is 6" long, 3 ply 0.018" copper.

Part Number	Weight	Stock	List
3/8" E lead + wire seals (pack of 100)	2 lb	430	\$ 107.00



3/8" Lead & wire seals

Supplies



WLC100

Soldering Station

Variable power control 5 to 40 watts. 40 watt pencil iron and ST# interchangeable tip. Replaceable heating element. Cushioned foam grip. Safety guard iron holder. On/off switch with "Power On" indicator light. 120 VAC, 50 Hz, 60 Hz.

Part Number	Weight	Stock	List
WLC100 Welder soldering station	3 lb	230	\$ 123.00
WP25 Welder soldering station	1 lb	237	92.40



Sorbit-3g

Stop corrosion & moisture problems!

Silica Gel, moisture absorbent and desiccant will keep moisture from causing signal changes in junction boxes and instruments. Two convenient sizes are available for large and small junction boxes. Just put one or two packets of silica gel in each junction box, instrument and printer. Avoid corrosion problems due to moisture. Packets can be reactivated and used again. An absolute necessity in every truck scale junction box. Each packet contains 2 ounces (56 grams) of silica gel.

Part Number	Size	Weight	Stock	List
Sorbit-3g	1" x 2" x 1/4"	1 lb	2949	\$ 1.95
Sorbit-2	4.5" x 5" x 3/8"	1 lb	217	3.65

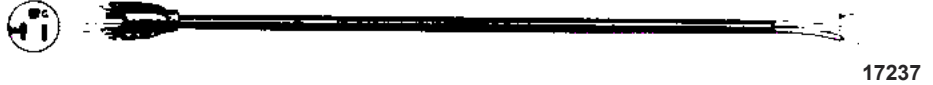


Sorbit-2

3 Conductor power supply cord

6' lg, gray SVT vinyl with molded vinyl grounding plug, 18 gage, 1250 watts, 10A, 125V.

Part Number	Weight	Stock	List
17237 Cord w/plug & pigtails	1 lb	226	\$ 8.60
17250 Cord w/international jack	1 lb	1085	15.50



Transient load cell protector

This protector will stop electrical transients such as spikes, surges and noise from damaging strain gage load cells. Excitation voltage can be 18 VDC or +/-9 VDC or 9 VAC. This unit will clamp the excitation voltage to 20 VDC between + and - excitation terminals, 75 VDC between any terminal and earth ground. Three active protection stages on each of four lines. One active protection stage on the shield. Response time on 20 VDC stage is 5 nanoseconds. Response time on 75 VDC stage is 100 nanoseconds. Resistance to ground is 7500 megohms minimum. Grounding is through a 1/4" lug to a 20 ft insulated #10 AWG ground wire(included). Two nylon strain reliefs for 0.187"-0.312" dia cable. Chemically resistant PVC enclosure is gasketed NEMA 1,2,3 and 11 intended for indoor and outdoor service. It is not NEMA 4 (washdown) or NEMA 6 (submersion). Call for prices on other enclosures. 4"W x 4"D x 2.5"H, 1.4 lb.

Part Number	Weight	Stock	List
LCP-1 load cell transient protector 4 wire	2 lb	1957	\$ 205.00
LCP-2 load cell transient protector 6 wire	2 lb	1752	234.00



Prices are subject to change without notice. Please call for current prices.

Other items are available from the manufacturers, please call for quote.

13-01 Pollitt Dr Ext
Fair Lawn NJ 07410
201-797-2718

Totalcomp
Components

www.totalcomp.com
sales@totalcomp.com
Fax 201-797-2287



PW3110 550va UPS

Powerware Uninterruptible Power Supply

Powerware PW3110 UPS offers basic protection in a sleek unit that easily fits under a desk or mounts on a wall. An internal battery gives continuous power to an inverter that converts DC to AC. The battery is kept fully charged by a built-in charger under normal conditions. If power is interrupted due to spikes, electrical noise, harmonic power distortion, under voltage and blackouts, the battery and inverter continue to provide clean power. User replaceable battery provides easy maintenance and upkeep. Capacity is 550 VA. Reserve time is 3 minutes at full load, and 6 minutes at half load. Transfer time is 6ms. Recharge time is 8 hours. 6 ft line cord for 120 VAC 50/60 Hz, (4) receptacles with UPS & Surge protection and (2) receptacles with surge protection only NEMA 5-15R. 2.3"W x 15.5"D x 5.9"H.

Part Number	Output Power	Weight	Stock	List
PW3110 550VA UPS	425VA	12 lb	1402	\$ 53.00



LC 1200



LS 606M
Front View

Line Conditioner - Tripp Lite

Brownout protection and surge suppression in a single cost effective unit. Line conditioner will automatically adjust under and over voltages from 87 to 140 volts AC. This keeps you working through brownouts and prolonged over voltages. LC604 has indicator lights for TRIM, NORMAL, BOOST. LC1200 has indicator lights for VERY HIGH, HIGH, NORM, LOW, VERY LOW, LINE FAULT, LINE OK.

6 ft line cord for 120 VAC 60 Hz, (4) receptacles NEMA 5-15R. 2 year warranty.

LS604: 4-3/8" x 5-1/4" x 5-3/4"H

LC1200: 5-3/4" x 6-3/4" x 6-3/4"H

Part Number	Output Power	Weight	Stock	List
LS606M line conditioner	600 watts	6 lb	4090	\$ 257.00
LC1200 line conditioner	1200 watts	10 lb	4091	325.00



LS 606M
Rear view



EM2025
Bonding Braid

Bonding Braid (Ground Strap)

A flat woven braid of tinned-copper strands 7/16" wide. Bonding braid is equivalent to a solid #6 AWG copper conductor. It has 1/2" eyelets (1/4" I.D.) every 3 inches eliminating the need for punching holes. Bonding braid will provide a parallel path for high current around a load cell installation. It offers additional protection when welding or in areas of lightning activity. Connects top and bottom mounting plates in compression assemblies. Also used to shunt load cell and linkage in tension mounting.

Part Number	Length	Weight	Stock	List
EM2025-15	15"	1 lb	967	\$ 31.03
EM2025-21	21"	1 lb	968	44.31

TS-101 Transducer Simulator

TS-101: Ultra high impact structural copolymer. Unbreakable, watertight, dustproof, chemical resistant and corrosion proof. Designed for 0.05% high accuracy testing and calibrating digital weight indicators. Ideal for setpoint, batching, or regular high accuracy simulation. 3 operation modes include load cell input selection of 1.75, 2.0, 3.0 mv/V. 0, 10, 20, 30, 40, 50, 60, 70, 80, 90, 100% 11 position calibration knob. 10 turn zero potentiometer. 5 position binding posts for banana plugs or timed wires. Zero adjustment capability for dead load or adjustment between steps. Built in digital volt meter for excitation voltage. 1/4" neoprene o-ring and ABS latches seal perfectly and includes an automatic purge valve for quick equalization after changes in atmospheric pressure. Floats in salt water with 7.05 lbs load. 20 VDC.
 Box size 7 3/8" x 4 7/8" x 3 1/16"

Part Number	Weight	Stock	List
TS-101 Simulator	4 lb	4113	\$ 729.00



TS-101 Simulator

Test

Prices are subject to change without notice. Please call for current prices.

Other items are available from the manufacturers, please call for quote.

13-01 Pollitt Dr Ext
 Fair Lawn NJ 07410
 201-797-2718



www.totalcomp.com
 sales@totalcomp.com
 Fax 201-797-2287

Analog Load Cell Testing Procedure

1. Using an ohm meter, measure the following resistances on the load cell cable.

- | | |
|-----------|--------------|
| A. INPUT | +EX to -EX |
| B. OUTPUT | +SIG to -SIG |
| C. | +EX to +SIG |
| D. | +EX to -SIG |
| E. | -EX to +SIG |
| F. | -EX to -SIG |

The input and output resistance should match the manufacturer's specs. The other resistance readings should all be the same and approximately 75% of the input or output resistance.

2. Using an ohm meter, measure the following resistance

- A. All leads to case.
- B. All leads to shield.

The resistance should be greater than 5,000 meg ohms. If it is less, there is a chance for signal loss due to leakage to ground. Low resistance usually indicates water in the cable.

3. Using a digital test meter, measure the following load conditions.

- A. Unloaded.
- B. 2 or 3 test loads.

Unloaded reading should be within manufacturers specs, usually 1% of output.

4. If meter goes into over range, then use voltmeter and measure the following voltages.

- A. +EX to -EX (volts)
- B. +SIG to -EX (volts)
- C. -SIG to -EX (volts)
- D. +SIG to -SIG (millivolts)

The D reading should be equal to "B" - "C".

Calculate percent of output voltage with the following:

$$\frac{\text{Actual zero output}}{\text{Full scale output}} = \frac{\text{"D"} \times 100}{\text{"A"} \times \text{mv/V}} = \% \text{ output}$$

Transducer Simulator

Simulators are used to test indicators by temporarily substituting for the load cell. The indicator can be checked that it works correctly at various loads. The switches and potentiometers on the transducer simulator are set to the desired output signal. The indicator should display a weight that corresponds to the settings on the simulator.

The simulators with "V" in the part number have a Variable potentiometer for smoothly setting the output between steps of the multiple position switch.

The simulators with variable potentiometers can be used to check set point relay operation on indicators used with batching systems.

The range of the simulator is 0 to 2 mv/V or 0 to 3 mv/V depending in the model selected. The excitation voltage can be from 0 to 20 VDC or VAC.

Wires terminate at screw type binding posts. ABS thermoplastic case.

Part Number	Size	Weight	Stock	List
TS-0V Simulator, 0-3mv/V Variable 10 turn potentiometer No switch	3"x2"x2.25"H	1 lb	2449	\$ 175.00
TS-6 Simulator, 0-2 mv/V 6 position switch 0.0, 0.4, 0.8, 1.2, 1.6, 2.0 mv/V No potentiometer	3"x2"x2.25"H	1 lb	2451	371.00
TS-7 Simulator, 0-3 mv/V 7 position switch 0.0, 0.5, 1.0, 1.5, 2.0, 2.5, 3.0 mv/V	3"x2"x2.25"H	1 lb	3566	371.00
TS-16 Simulator, 0-3 mv/V 16 position switch 0.0, 0.2, 0.4, 0.6, 0.8, 1.0, 1.2, 1.4, 1.6, 1.8, 2.0, 2.2, 2.4, 2.6, 2.8, 3.0 mv/V No potentiometer	5"x3"x3.12"H	2 lb	2452	714.00
TS-16V Simulator, 0-3 mv/V 16 position switch 0.0, 0.2, 0.4, 0.6, 0.8, 1.0, 1.2, 1.4, 1.6, 1.8, 2.0, 2.2, 2.4, 2.6, 2.8, 3.0 mv/V Variable 10 turn potentiometer for setting between steps.	6"x3"x2.75"H	2 lb	2453	828.00



TS-0V



TS-6



TS-7



TS-16



TS-16V

Test

Prices are subject to change without notice. Please call for current prices.

Other items are available from the manufacturers, please call for quote.

13-01 Pollitt Dr Ext
Fair Lawn NJ 07410
201-797-2718

Totalcomp
Components

www.totalcomp.com
sales@totalcomp.com
Fax 201-797-2287



TS-8V Simulator

TS-8V Transducer Simulator

ABS plastic case with lid. Face plate 1/8" aluminum. Fixed rotary switch: -0.5, 0, 0.5, 1.0, 1.5, 2.0, 2.5, 3.0 mv/v in 8 steps. 10 turn potentiometer for adjusting dead load and adjustment between steps. 4 banana jacks (red, black, green, white) color coded. In/out switch for 10 turn potentiometer. Excitation voltage up to 20 VDC/VAC.

Part Number	Weight	Stock	List
TS-8V Simulator	1 lb	2407	\$ 449.00

Service Parts

Replacement Case	1 lb	81	35.00
------------------	------	----	-------

TS-350 & DTR-304

Service parts only for TS-350 transducer simulator

Part Number	Weight	Stock	List
Replacement case	1 lb	81	\$ 35.00



New

Test

Auto Cal System Totalcomp

Automatic Calibration System will make your hopper and tank scales accurate and precise. Test weights are applied automatically with the flip of a switch.

Scale accuracy can be checked as often as necessary to assure precise weight readings.

Calibration is simplified with the Totalcomp Auto Cal System. Eliminate time consuming lifting and placing of weights on your hopper or tank scale. No more endless placement of weight on and off to check zero return. Easily check repeatability of scale readings by quickly adding and removing calibrated test weights on your scale.

The system includes chrome plated steel test weights, brackets for mounting on the legs of the hopper or tank, clevis for attaching to test weights, lifting mechanism, control cables, control boxes, switch enclosure with one switch per lifter.

Weights can be easily applied to each load cell individually to ensure the correct weight reading on the weight indicator.

Each weight lifting assembly has (4) leveling feet and bubble level to ensure adequate clearance when the weight is lifted off the scale.

Power: 100-240 VAC

Part Number	Weights	Qty	Each	Shipping	Stock	List
Tanks with (3) load cells						
TAC3-150	150	3	50 lb	180 lb	8336	\$ 3,061.00
Tanks with (4) load cells						
TAC4-200	200	4	50 lb	240 lb	8341	3,759.00
Service Parts						
50 lb cylindrical weight w/eyebolt				52 lb	8346	260.00
6.00"dia, 6.75"H, 9.25" overall height						



Auto Cal System (4) load cells



Weight applied
Notice gap between weight and lifter



Weight removed
Notice gap between eyebolt and clevis

Test

Prices are subject to change without notice. Please call for current prices.

Other items are available from the manufacturers, please call for quote.

13-01 Pollitt Dr Ext
Fair Lawn NJ 07410
201-797-2718



www.totalcomp.com
sales@totalcomp.com
Fax 201-797-2287



**LC-II
Tester Calibrator**

LC-II Calibrator Tester Vishay

Portable. Versatile load cell calibrator with multiple functions. 5 digit LCD display. Display, test, simulate and source all in one unit. Units for grams, newtons, ton, kilograms. Show mass, force, strain, torque; set mV/V, range, decimal point, units; zero and span trim; select tare, peak hold. SD card for data logging. USB computer connection. On screen user manual. Carrying case, charger and leads included.

Load cell Display Function: Show mass, force, strain, or torque from load cells; set mV/V, range, decimal point, and units; zero and span trim; select tare, peak hold.

Test Load Cell Function: Connect the load cell leads to spring terminals and get a read-out of 4- or 6-wire, zero balance, input and output resistance, bridge balance, etc.

Test Insulation Function: Connect the leads to screen, housing, and gage to get a 50V insulation test between each in megohms.

Measurement Function: Show mV output, excitation voltage, mA outputs for systems, etc.

Source Function: High accuracy mV injection and mA output for workshop or field calibration of amplifiers and indicators.

Convert Function: Change between different mass units; grams, Newtons, ton, kilograms, etc.

Part Number	Weight	Stock	Price
LC-II Load cell tester and calibrator	1 lb	1506	\$ List



TROEMNER

Troemner Calibration Weights and Weight Sets

For over 160 years, Troemner has provided an extensive selection of precision weights and calibration services. Today Troemner is an ISO 9001 registered company and one of the world's leading suppliers of precision weights and mass standards. We manufacture and certify weights to meet or exceed the highest tolerance standards of the National Institute of Standards & Technology (NIST), the American Society for Testing & Materials (ASTM) and the International Organization of Legal Metrology (OIML).

Selecting the proper weight certification

Traceable Calibration Certificate is designed for those laboratories and companies that require NIST traceability but are not required to meet any stringent audit or regulatory requirements.

NIST/NVLAP Weight Calibration Certificate - our most detailed certificate designed to meet your most stringent regulatory and quality control needs including all ISO, FDA, GMP, GLP, DOD, ANSI/NCSL, Z540-1 and Nuclear requirements. All procedures and processes used to generate this multi page certificate as well as its format and content are prescribed by the NIST administered National Voluntary Laboratory Accreditation Program.

The document contains: customer name, address, date of calibration, equipment and standards used in calibration, accuracy class, true mass (mass in a vacuum), "as found" mass correction (for recalibration), "as left" mass corrections for each weight, uncertainty of measurement process for each weight, environmental conditions during test, construction and density of weights, calibration procedures used, statement of traceability to NIST and a helpful list of terms and definitions.

Selecting the proper weight class

Accuracy Classes

Extra Fine

ANSI/ASTM Class 0
Troemner Ultra Class™
ANSI/ASTM Class 1

Use

Calibrate weights and special precision analytical balances, NTEP Legal for Trade Class I

Fine

ANSI/ASTM Class 2

Use

Calibrate NTEP Class II balances

ANSI/ASTM Class 3

Working standards for precision and analytical work. External weights to calibrate moderate precision balances

Medium

ANSI/ASTM Class 4
ANSI/ASTM Class 5
ANSI/ASTM Class 6
NIST Class F

Use

Calibrate NTEP Class III scales, dial scales, trip balances platform scales including NTEP class III and IV

ASTM Class 6 specifications and tolerances are in NIST Handbook 105-1.

These specifications and tolerances are intended to set forth minimum requirements used:

1. In the field by state and local weights and measures officials in the examination of weighing and measuring devices used in commerce.
2. By device installers and servicemen.
3. As reference standards in state weights and measures laboratories.
4. In industrial, educational and research laboratories.

Federal Grain Inspection Service approved laboratory.

ANSI - American National Standards Institute

ASTM - American Society for Testing and Materials

NIST - National Institute of Standards and Technology

NTEP - Nation Type Evaluation Program

OIML - Organization International Metrological Legal

Prices are subject to change without notice. Please call for current prices.

Other items are available from the manufacturers, please call for quote.

13-01 Pollitt Dr Ext
Fair Lawn NJ 07410
201-797-2718


Components

www.totalcomp.com
sales@totalcomp.com
Fax 201-797-2287



TROEMNER



**Stainless Steel
Grip handle**

Metric

Individual stainless steel weights ASTM Class 6

Grip handle stainless steel weight.

Part No.	Weight	Diameter	Height	Ship Wt	Stock	List
1370	5 kg	4.98"	3.08"	12 lb	4998	\$ 463.00
1371	8 kg	4.98"	4.27"	19 lb	4999	745.00
1372	10 kg	4.98"	5.09"	21 lb	5000	789.00
1373	16 kg	5.98"	5.20"	36 lb	5001	1,068.00
1374	20 kg	5.98"	6.31"	46 lb	5002	1,088.00
1375	24 kg	5.98"	7.69"	55 lb	5003	1,341.00
1376	25 kg	5.98"	7.70"	57 lb	5004	1,295.00
1378	30 kg	5.98"	9.06"	68 lb	5005	1,613.00

Grip handle stainless steel weight with **Traceable Certificate**

Part No.	Weight	Diameter	Height	Ship Wt	Stock	List
1370T	5 kg	4.98"	3.08"	12 lb	5006	\$ 508.00
1371T	8 kg	4.98"	4.27"	19 lb	5007	823.00
1372T	10 kg	4.98"	5.09"	21 lb	5008	870.00
1373T	16 kg	5.98"	5.20"	36 lb	5009	1,201.00
1374T	20 kg	5.98"	6.31"	46 lb	5010	1,225.00
1375T	24 kg	5.98"	7.69"	55 lb	5011	1,528.00
1376T	25 kg	5.98"	7.70"	57 lb	5012	1,369.00
1378T	30 kg	5.98"	9.06"	68 lb	5013	1,761.00

Grip handle stainless steel weight with **NVLAP Certificate**

Part No.	Weight	Diameter	Height	Ship Wt	Stock	List
1370W	5 kg	4.98"	3.08"	12 lb	5014	\$ 618.00
1371W	8 kg	4.98"	4.27"	19 lb	5015	899.00
1372W	10 kg	4.98"	5.09"	21 lb	5016	924.00
1373W	16 kg	5.98"	5.20"	36 lb	5017	1,283.00
1374W	20 kg	5.98"	6.31"	46 lb	5018	1,295.00
1375W	24 kg	5.98"	7.69"	55 lb	5019	1,614.00
1376W	25 kg	5.98"	7.70"	57 lb	5020	1,524.00
1378W	30 kg	5.98"	9.06"	68 lb	5021	1,792.00



TROEMNER

Avoirdupois

Individual stainless steel weights ASTM Class 6

Grip handle stainless steel weight.

Part No.	Weight	Diameter	Height	Ship Wt	Stock	List
1270	10 lb	4.98"	2.90"	11 lb	5022	\$ 441.00
1272	20 lb	4.98"	4.72"	21 lb	5023	723.00
1274	25 lb	5.98"	3.90"	26 lb	5024	798.00
1275	30 lb	5.98"	4.52"	32 lb	5025	941.00
1276	50 lb	5.98"	7.05"	52 lb	5026	1,202.00

Grip handle stainless steel weight with **Traceable Certificate**

Part No.	Weight	Diameter	Height	Ship Wt	Stock	List
1270T	10 lb	4.98"	2.90"	11 lb	5027	\$ 613.00
1272T	20 lb	4.98"	4.72"	21 lb	5028	786.00
1274T	25 lb	5.98"	3.90"	26 lb	5029	775.00
1275T	30 lb	5.98"	4.52"	32 lb	5030	1,012.00
1276T	50 lb	5.98"	7.05"	52 lb	5031	1,287.00

Grip handle stainless steel weight with **NVLAP Certificate**

Part No.	Weight	Diameter	Height	Ship Wt	Stock	List
1270W	10 lb	4.98"	2.90"	11 lb	5032	\$ 751.00
1272W	20 lb	4.98"	4.72"	21 lb	5033	882.00
1274W	25 lb	5.98"	3.90"	26 lb	5034	970.00
1275W	30 lb	5.98"	4.52"	32 lb	5035	1,092.00
1276W	50 lb	5.98"	7.05"	52 lb	5036	1,525.00



**Stainless Steel
Grip handle**

Prices are subject to change without notice. Please call for current prices.

Other items are available from the manufacturers, please call for quote.

13-01 Pollitt Dr Ext
Fair Lawn NJ 07410
201-797-2718

 **Totalcomp**
Components

www.totalcomp.com
sales@totalcomp.com
Fax 201-797-2287



TROEMNER

Heavy Capacity & Grip Handle Cast Iron Test Weights ASTM Class 6



Metric
Cast Iron
Weights

Metric

Grip handle cast iron weight.

Part #	Weight	Width	Length	Height	Ship Wt	Stock	List
9278	2 kg	2-1/2"	3-7/8"	2-3/4"	5 lb	1188	\$ 95.00
9280 *	5 kg	3-1/4"	5-3/8"	3-7/8"	12 lb	821	110.00
9282	10 kg	4-5/8"	6-3/16"	5"	23 lb	820	182.00
9284	20 kg	5-1/2"	7-5/8"	5-7/8"	45 lb	819	189.00
9286	25 kg	5-9/16"	7-3/4"	6-3/4"	54 lb	818	254.00
9288	50 kg	7-5/16"	9"	8-1/4"	113 lb	817	745.00
9289	100 kg	9-1/2"	9-1/2"	10-1/2"	225 lb	816	1,694.00
9290	200 kg	12-3/4"	12-1/4"	12"	450 lb	815	4,197.00
9291	250 kg	12-3/4"	12-1/4"	14-3/4"	540 lb	814	3,019.00
9292	500 kg	14-3/4"	14-5/8"	20-3/4"	1,125 lb	813	5,307.00
9294	1,000 kg	20-5/8"	20-1/4"	21-5/8"	2,250 lb	812	16,081.00

Grip handle cast iron weight with **Traceable Certificate**

Part #	Weight	Width	Length	Height	Ship Wt	Stock	List
9278T	2 kg	2-1/2"	3-7/8"	2-3/4"	5 lb	1189	\$ 151.00
9280T *	5 kg	3-1/4"	5-3/8"	3-7/8"	12 lb	5037	174.00
9282T	10 kg	4-5/8"	6-3/16"	5"	23 lb	5038	218.00
9284T	20 kg	5-1/2"	7-5/8"	5-7/8"	45 lb	5039	281.00
9286T	25 kg	5-9/16"	7-3/4"	6-3/4"	54 lb	5040	351.00
9288T	50 kg	7-5/16"	9"	8-1/4"	113 lb	5041	1,024.00
9289T	100 kg	9-1/2"	9-1/2"	10-1/2"	225 lb	5042	2,117.00
9290T	200 kg	12-3/4"	12-1/4"	12"	450 lb	5043	4,518.00
9291T	250 kg	12-3/4"	12-1/4"	14-3/4"	540 lb	5044	3,341.00
9292T	500 kg	14-3/4"	14-5/8"	20-3/4"	1,125 lb	5045	5,856.00
9294T	1,000 kg	20-5/8"	20-1/4"	21-5/8"	2,250 lb	5046	16,580.00

Grip handle cast iron weight with **NVLAP Certificate**

Part #	Weight	Width	Length	Height	Ship Wt	Stock	List
9278W	2 kg	2-1/2"	3-7/8"	2-3/4"	5 lb	1190	\$ 196.00
9280W *	5 kg	3-1/4"	5-3/8"	3-7/8"	12 lb	5047	217.00
9282W	10 kg	4-5/8"	6-3/16"	5"	23 lb	5048	276.00
9284W	20 kg	5-1/2"	7-5/8"	5-7/8"	45 lb	5049	343.00
9286W	25 kg	5-9/16"	7-3/4"	6-3/4"	54 lb	5050	408.00
9288W	50 kg	7-5/16"	9"	8-1/4"	113 lb	5051	1,086.00
9289W	100 kg	9-1/2"	9-1/2"	10-1/2"	225 lb	5052	2,245.00
9290W	200 kg	12-3/4"	12-1/4"	12"	450 lb	5053	4,649.00
9291W	250 kg	12-3/4"	12-1/4"	14-3/4"	540 lb	5054	3,471.00
9292W	500 kg	14-3/4"	14-5/8"	20-3/4"	1,125 lb	5055	6,215.00
9294W	1,000 kg	20-5/8"	20-1/4"	21-5/8"	2,250 lb	5056	16,906.00

* Not for Legal for Trade applications.

NIST HB105-1 2. Finish 2.2

"A weight 5 kg/10 lb or less shall not have a surface coating."

For Legal for Trade weights 5kg and below, refer to Class F stainless steel weights.

NIST Class "F" specifications and tolerances are listed in NIST Handbook 105-1.

These specifications and tolerances are intended to set forth minimum requirements used:

1. In the field by state and local weights and measures officials in the examination of weighing and measuring devices used in commerce.
2. By device installers and servicemen.
3. As reference standards in state weights and measures laboratories.
4. In industrial, educational and research laboratories.

Federal Grain Inspection Service approved laboratory.



TROEMNER

Heavy Capacity & Grip Handle Cast Iron Test Weights ASTM Class 6

Avoirdupois

Grip handle cast iron weight.

Part #	Weight	Width	Length	Height	Ship Wt	Stock	List
9072 *	5 lb	2-3/8"	3-7/8"	3-1/8"	6 lb	811	\$ 75.00
9074 *	10 lb	3-1/4"	5-3/8"	3-9/16"	11 lb	810	98.00
9076	20 lb	4"	6-3/16"	5"	21 lb	809	125.00
9078	25 lb	4-3/4"	6-3/16"	5"	26 lb	808	155.00
9080	50 lb	5-9/16"	8"	6-3/8"	51 lb	807	315.00
9082	100 lb	7-3/8"	9-1/8"	7-9/16"	101 lb	806	976.00
9083	200 lb	9-9/16"	9-3/16"	9-13/16"	200 lb	805	1,675.00
9084	500 lb	12-3/4"	12-3/8"	13-1/2"	500 lb	804	2,362.00
9086	1,000 lb	14-3/4"	14-5/8"	19"	1,000 lb	803	4,617.00
9087	2,000 lb	20-3/8"	20-5/8"	19-7/8"	2,000 lb	802	8,903.00
9088	2,500 lb	20-3/8"	20-3/8"	24-1/2"	2,500 lb	801	11,104.00
9090	3,000 lb	20-3/16"	20-5/16"	29-1/2"	3,000 lb	800	14,094.00

Grip handle cast iron weight with **Traceable Certificate**

Part #	Weight	Width	Length	Height	Ship Wt	Stock	List
9072T *	5 lb	2-3/8"	3-7/8"	3-1/8"	6 lb	5057	\$ 143.00
9074T *	10 lb	3-1/4"	5-3/8"	3-9/16"	11 lb	5058	162.00
9076T	20 lb	4"	6-3/16"	5"	21 lb	5059	198.00
9078T	25 lb	4-3/4"	6-3/16"	5"	26 lb	5060	240.00
9080T	50 lb	5-9/16"	8"	6-3/8"	51 lb	5061	493.00
9082T	100 lb	7-3/8"	9-1/8"	7-9/16"	101 lb	5062	1,167.00
9083T	200 lb	9-9/16"	9-3/16"	9-13/16"	200 lb	5063	2,076.00
9084T	500 lb	12-3/4"	12-3/8"	13-1/2"	500 lb	5064	2,809.00
9086T	1,000 lb	14-3/4"	14-5/8"	19"	1,000 lb	5065	5,166.00
9087T	2,000 lb	20-3/8"	20-5/8"	19-7/8"	2,000 lb	5066	9,452.00
9088T	2,500 lb	20-3/8"	20-3/8"	24-1/2"	2,500 lb	5067	11,654.00
9090T	3,000 lb	20-3/16"	20-5/16"	29-1/2"	3,000 lb	5068	14,644.00

Grip handle cast iron weight with **NVLAP Certificate**

Part #	Weight	Width	Length	Height	Ship Wt	Stock	List
9072W *	5 lb	2-3/8"	3-7/8"	3-1/8"	6 lb	5070	\$ 184.00
9074W *	10 lb	3-1/4"	5-3/8"	3-9/16"	11 lb	5071	216.00
9076W	20 lb	4"	6-3/16"	5"	21 lb	5072	245.00
9078W	25 lb	4-3/4"	6-3/16"	5"	26 lb	5073	259.00
9080W	50 lb	5-9/16"	8"	6-3/8"	51 lb	5074	523.00
9082W	100 lb	7-3/8"	9-1/8"	7-9/16"	101 lb	5075	1,200.00
9083W	200 lb	9-9/16"	9-3/16"	9-13/16"	200 lb	5076	2,203.00
9084W	500 lb	12-3/4"	12-3/8"	13-1/2"	500 lb	5077	2,935.00
9086W	1,000 lb	14-3/4"	14-5/8"	19"	1,000 lb	5078	5,525.00
9087W	2,000 lb	20-3/8"	20-5/8"	19-7/8"	2,000 lb	5079	9,811.00
9088W	2,500 lb	20-3/8"	20-3/8"	24-1/2"	2,500 lb	5080	12,012.00
9090W	3,000 lb	20-3/16"	20-5/16"	29-1/2"	3,000 lb	5081	15,002.00

* Not for Legal for Trade applications.

NIST HB105-1 2. Finish 2.2

"A weight 5 kg/10 lb or less shall not have a surface coating."

For Legal for Trade weights 10 lb and below, refer to Class F stainless steel weights.



**Avoirdupois
Cast Iron
Weights**

NIST Class "F" specifications and tolerances are listed in NIST Handbook 105-1.

These specifications and tolerances are intended to set forth minimum requirements used:

1. In the field by state and local weights and measures officials in the examination of weighing and measuring devices used in commerce.
2. By device installers and servicemen.
3. As reference standards in state weights and measures laboratories.
4. In industrial, educational and research laboratories.

Federal Grain Inspection Service approved laboratory.

Prices are subject to change without notice. Please call for current prices.

Other items are available from the manufacturers, please call for quote.

13-01 Pollitt Dr Ext
Fair Lawn NJ 07410
201-797-2718


Components

www.totalcomp.com
sales@totalcomp.com
Fax 201-797-2287



TROEMNER



Stainless Steel Individual Weights

Metric

Individual stainless steel weights ASTM Class 6

Cylindrical stainless steel satin finish.

Part No.	Weight	Diameter	Height	Ship Wt	Stock	List
1334	1 g	0.20"	0.24"	1 lb	1436	\$ 38.00
1332	2 g	0.28"	0.29"	1 lb	1435	38.00
1328	5 g	0.37"	0.38"	1 lb	1434	38.00
1326	10 g	0.42"	0.57"	1 lb	1433	46.00
1324	20 g	0.59"	0.60"	1 lb	1432	46.00
1320	50 g	0.74"	0.90"	1 lb	1431	51.00
1318	100 g	0.99"	1.03"	1 lb	1430	58.00
1316	200 g	1.24"	1.36"	1 lb	1429	63.00
1312	500 g	1.48"	2.35"	2 lb	1428	91.00
1310	1,000 g	1.84"	2.98"	3 lb	1427	100.00
1308	2,000 g	2.48"	3.32"	5 lb	1426	174.00
1302	5,000 g	3.20"	4.90"	12 lb	1425	293.00

Cylindrical stainless steel satin finish with **Traceable Certificate**

Part No.	Weight	Diameter	Height	Ship Wt	Stock	List
1334T	1 g	0.20"	0.24"	1 lb	5083	\$ 110.00
1332T	2 g	0.28"	0.29"	1 lb	5084	110.00
1328T	5 g	0.37"	0.38"	1 lb	5085	110.00
1326T	10 g	0.42"	0.57"	1 lb	5086	119.00
1324T	20 g	0.59"	0.60"	1 lb	5087	119.00
1320T	50 g	0.74"	0.90"	1 lb	5088	121.00
1318T	100 g	0.99"	1.03"	1 lb	5089	125.00
1316T	200 g	1.24"	1.36"	1 lb	5090	139.00
1312T	500 g	1.48"	2.35"	2 lb	5091	192.00
1310T	1,000 g	1.84"	2.98"	3 lb	5092	207.00
1308T	2,000 g	2.48"	3.32"	5 lb	5093	264.00
1302T	5,000 g	3.20"	4.90"	12 lb	5094	355.00

Cylindrical stainless steel satin finish with **NVLAP Certificate**

Part No.	Weight	Diameter	Height	Ship Wt	Stock	List
1334W	1 g	0.20"	0.24"	1 lb	5095	\$ 123.00
1332W	2 g	0.28"	0.29"	1 lb	5096	123.00
1328W	5 g	0.37"	0.38"	1 lb	5097	123.00
1326W	10 g	0.42"	0.57"	1 lb	5098	136.00
1324W	20 g	0.59"	0.60"	1 lb	5099	136.00
1320W	50 g	0.74"	0.90"	1 lb	5100	148.00
1318W	100 g	0.99"	1.03"	1 lb	5101	148.00
1316W	200 g	1.24"	1.36"	1 lb	5102	168.00
1312W	500 g	1.48"	2.35"	2 lb	5103	229.00
1310W	1,000 g	1.84"	2.98"	3 lb	5104	243.00
1308W	2,000 g	2.48"	3.32"	5 lb	5105	315.00
1302W	5,000 g	3.20"	4.90"	12 lb	5106	433.00

Prices are subject to change without notice. Please call for current prices.

Other items are available from the manufacturers, please call for quote.



TROEMNER

Avoirdupois

Individual stainless steel weights ASTM Class 6

Cylindrical stainless steel satin finish.

Part No.	Weight	Diameter	Height	Ship Wt	Stock	List
1222	1/2 oz	0.50"	0.58"	1 lb	839	\$ 49.00
1220	1 oz	0.61"	0.78"	1 lb	838	49.00
1217	2 oz	0.87"	0.90"	1 lb	837	52.00
1215	4 oz	0.99"	1.16"	1 lb	836	60.00
1213	8 oz	1.23"	1.55"	1 lb	835	66.00
1211	1 lb	1.48"	2.16"	1 lb	834	84.00
1209	2 lb	1.84"	2.71"	3 lb	833	116.00
1203	5 lb	2.48"	3.75"	6 lb	832	186.00
1201	10 lb	3.22"	4.42"	11 lb	831	288.00



Stainless Steel Individual Weights

Cylindrical stainless steel satin finish with **Traceable Certificate**

Part No.	Weight	Diameter	Height	Ship Wt	Stock	List
1222T	1/2 oz	0.50"	0.58"	1 lb	5107	\$ 125.00
1220T	1 oz	0.61"	0.78"	1 lb	5108	125.00
1217T	2 oz	0.87"	0.90"	1 lb	5109	128.00
1215T	4 oz	0.99"	1.16"	1 lb	5110	132.00
1213T	8 oz	1.23"	1.55"	1 lb	5111	136.00
1211T	1 lb	1.48"	2.16"	1 lb	5112	208.00
1209T	2 lb	1.84"	2.71"	3 lb	5113	227.00
1203T	5 lb	2.48"	3.75"	6 lb	5114	290.00
1201T	10 lb	3.22"	4.42"	11 lb	5115	370.00

Cylindrical stainless steel satin finish with **NVLAP Certificate**

Part No.	Weight	Diameter	Height	Ship Wt	Stock	Price
1222W	1/2 oz	0.50"	0.58"	1 lb	5116	\$ 148.00
1220W	1 oz	0.61"	0.78"	1 lb	5117	148.00
1217W	2 oz	0.87"	0.90"	1 lb	5118	155.00
1215W	4 oz	0.99"	1.16"	1 lb	5119	157.00
1213W	8 oz	1.23"	1.55"	1 lb	5120	168.00
1211W	1 lb	1.48"	2.16"	1 lb	5121	253.00
1209W	2 lb	1.84"	2.71"	3 lb	5122	274.00
1203W	5 lb	2.48"	3.75"	6 lb	5123	346.00
1201W	10 lb	3.22"	4.42"	11 lb	5124	442.00

Prices are subject to change without notice. Please call for current prices.

Other items are available from the manufacturers, please call for quote.



TPC
Hard Case

TPC Hard Cases - Totalcomp

TPC hard shell case is perfect for test weights, delicate tools and digital equipment. Case is watertight, dust proof and crush proof. Made of Ultra high impact Fiber Reinforced Polymer. Working Temp; -40 to 194 F. Fold down comfortable rubberized handles, ABS double throw latches, built in purge valve. Comes with pre-cubed interior foam for easy customization. Clear PVC front Tag-it yourself tag cover. Comes in three different sizes to accommodate a variety of test weight configurations.

Part Number	Size	Weight	Stock	List
TPC11-8-7	11" x 8" x 7"	9 lb	6540	\$ 109.00
TPC12-9-5	12" x 9" x 5"	6 lb	6541	102.00
TPC15-10-7	15" x 10" x 7"	5 lb	6542	140.00



TROEMNER

Troemner Test Weights are the highest quality available. They are backed by a reputation known throughout the industry. Troemner has years of experience in making precision weights. NIST Class "F" satin finish stainless steel. Heavy duty rugged case with steel reinforced corners. Foam insert keeps weights in place. Small weights are in a smaller leatherette case inside the large case.

Metric ASTM Class 6

Weight Set	Weight	Stock	List
TW-100-01	2 lb	824	\$ 352.00
TW-5000-01	31 lb	827	1,134.00

Traceable Certificate

Weight Set	Weight	Stock	List
TW-100-01T	2 lb	5125	\$ 527.00
TW-5000-01T	31 lb	5126	1,250.00

NVLAP Certificate

Weight Set	Weight	Stock	List
TW-100-01W	2 lb	5127	\$ 649.00
TW-5000-01W	31 lb	5128	1,513.00



TW-100-01 set

(1)	1mg
(2)	2mg
(1)	5mg
(1)	10mg
(2)	20mg
(1)	50mg
(1)	100mg
(2)	200mg
(1)	500mg
(1)	1g
(2)	2g
(1)	5g
(1)	10g
(2)	20g
(1)	50g
(1)	100g
Total	211.11g
4" x 2-7/8" x 1-1/4"h	



TW-5000-01 set

(1)	TW-100-01 set
(2)	200g
(1)	500g
(1)	1,000g
(2)	2,000g
(1)	5,000g
Total	11,111.11g
14-1/2" x 9-1/4" x 8-1/4"h	

Prices are subject to change without notice. Please call for current prices.

Other items are available from the manufacturers, please call for quote.

13-01 Pollitt Dr Ext
Fair Lawn NJ 07410
201-797-2718

 **Totalcomp**
Components

www.totalcomp.com
sales@totalcomp.com
Fax 201-797-2287



TROEMNER

Troemner Test Weights are the highest quality available. They are backed by a reputation known throughout the industry. Troemner has years of experience in making precision weights. NIST Class "F" satin finish stainless steel. Heavy duty rugged case with steel reinforced corners. Foam insert keeps weights in place. Small weights are in a smaller leatherette case inside the large case.



TW-15 Decimal set

TW-15 Decimal set

- (1) 0.001 lb
- (2) 0.002 lb
- (1) 0.005 lb
- (1) 0.01 lb
- (2) 0.02 lb
- (1) 0.05 lb
- (1) 0.1 lb
- (2) 0.2 lb
- Total 0.610 lb

4"x2-7/8"x1-1/4"



TW-30 Fraction set

TW-30 Fraction set

- (2) 1/32 oz
- (1) 1/16 oz
- (1) 1/8 oz
- (1) 1/4 oz
- (1) 1/2 oz
- (1) 1 oz
- (1) 2 oz
- (1) 4 oz
- Total 8 oz

4-1/4"x2-1/4"x1-1/4"h

Avoirdupois ASTM Class 6

Weight Set	Total	Weight	Stock	List
TW-15 Decimal set	0.61 lb	1 lb	276	\$ 303.00
TW-30 Fraction set	8 oz	1 lb	828	282.00
TW-50 Fraction set	31.00 lb	38 lb	829	1,504.00
TW-50D Decimal set	31.11 lb	38 lb	277	1,528.00
TW-50COMBO Combination Fraction & Decimal set	31.61 lb	39 lb	830	1,543.00

Traceable Certificate

Weight Set	Total	Weight	Stock	List
TW-15T Decimal set	0.61 lb	1 lb	5129	\$ 475.00
TW-30T Fraction set	8 oz	1 lb	5130	446.00
TW-50T Fraction set	31.00 lb	38 lb	5132	1,920.00
TW-50DT Decimal set	31.11 lb	38 lb	5131	1,919.00
TW-50COMBOT Combination Fraction & Decimal set	31.61 lb	39 lb	5133	1,954.00

NVLAP Certificate

Weight Set	Total	Weight	Stock	List
TW-15W Decimal set	0.61 lb	1 lb	5134	\$ 602.00
TW-30W Fraction set	8 oz	1 lb	5135	755.00
TW-50W Fraction set	31.00 lb	38 lb	5137	2,241.00
TW-50DW Decimal set	31.11 lb	38 lb	5136	2,262.00
TW-50COMBOW Combination Fraction & Decimal set	31.61 lb	39 lb	5138	2,285.00

Weights



TW-50D Decimal set

- (1) TW-15D set
- (1) 0.5 lb
- (5) 1 lb
- (5) 5 lb
- Total 31.11 lb

14-1/2"x9-1/4"x8-1/4"h



TW-50 Fraction set

- (1) TW-30 set
- (1) 8 oz
- (5) 1 lb
- (5) 5 lb
- Total 31 lb

14-1/2"x9-1/4"x8-1/4"h



TW-50COMBO Combination set

- (1) TW-15D set
- (1) TW-30F set
- (1) 8 oz
- (5) 1 lb
- (5) 5 lb
- Total 31.61 lb

14-1/2"x9-1/4"x8-1/4"h

Prices are subject to change without notice. Please call for current prices.

Other items are available from the manufacturers, please call for quote.



TROEMNER

Electronic Balance Calibration Weights

Stackable grip handle and cylindrical **stainless steel** weights for calibration and adjustment of all electronic balances and scales. Constructed of highly polished stainless steel. Made in strict accordance with standard specifications for laboratory weights and precision mass standards ANSI/ASTM E617.

Weights from 10g thru 5kg include a glove and a hinged carrying case with foam interior. Optional cases and gloves are available for weights 8 kg thru 30 kg.

Also available in ASTM Class 2, 3 and 4 as well as Troemner Ultra Class.

Traceable Certificate will certify that the weights are proven as tested against the standard. Certificate is a computer printout including test information.

ASTM Class 1

Part #	Weight	Ship Wt	Stock	List
8158T	10 g cyl	1 lb	1376	\$ 174.00
8156T	20 g cyl	1 lb	1375	174.00
8154T	30 g cyl	1 lb	1374	174.00
8153T	40 g cyl	1 lb	1373	174.00
8152T	50 g cyl	1 lb	1372	174.00
8150T	60 g cyl	1 lb	1371	178.00
8148T	70 g cyl	1 lb	1370	180.00
8146T	80 g cyl	1 lb	1369	183.00
8144T	100 g cyl	1 lb	1368	188.00
8142T	150 g cyl	1 lb	1367	221.00
8140T	160 g cyl	1 lb	1366	238.00
8138T	200 g cyl	2 lb	1365	241.00
8136T	300 g cyl	2 lb	1364	248.00
8134T	400 g cyl	2 lb	1363	264.00
8132T	500 g cyl	2 lb	1362	278.00
8130T	600 g cyl	2 lb	1361	315.00
8128T	1,000 g cyl	5 lb	1360	353.00
8126T	1,500 g cyl	6 lb	1359	367.00
8124T	2 kg cyl	7 lb	1358	376.00
8122T	3 kg cyl	9 lb	1357	564.00
8120T	4 kg cyl	11 lb	1356	869.00
8118T	4 kg grip	11 lb	1355	945.00
8116T	5 kg cyl	13 lb	1354	973.00
8114T	5 kg grip	13 lb	1353	1,037.00
8112T	8 kg grip	19 lb	1352	1,382.00
8110T	10 kg grip	24 lb	1351	1,462.00
8108T	16 kg grip	36 lb	1350	1,925.00
8106T	20 kg grip	48 lb	1349	2,122.00
8104T	24 kg grip	53 lb	1348	2,448.00
8102T	25 kg grip	58 lb	1347	2,499.00
8100T	30 kg grip	68 lb	1346	3,055.00



Calibration weights
Grip handle and Cylindrical



Optional cases



Optional case and glove

Prices are subject to change without notice. Please call for current prices.

Other items are available from the manufacturers, please call for quote.



TROEMNER



Calibration weights
Grip handle and Cylindrical



Optional cases



Optional case and glove

Electronic Balance Calibration Weights

Stackable grip handle and cylindrical stainless steel weights for calibration and adjustment of all electronic balances and scales. Constructed of highly polished stainless steel. Made in strict accordance with standard specifications for laboratory weights and precision mass standards ANSI/ASTM E617.

Weights from 10g thru 5kg include a glove and a hinged carrying case with foam interior.

Optional cases and gloves are available for weights 8 kg thru 30 kg.

Also available in ASTM Class 2, 3 and 4 as well as Troemner Ultra Class.

There is no NIST traceability, Not suitable for quality or regulatory requirements

ASTM Class 1

Part #	Weight	Ship Wt	Stock	List
8158	10 g cyl	1 lb	1345	\$ 117.00
8156	20 g cyl	1 lb	1344	117.00
8154	30 g cyl	1 lb	1343	117.00
8153	40 g cyl	1 lb	1342	117.00
8152	50 g cyl	1 lb	1341	117.00
8150	60 g cyl	1 lb	1340	122.00
8148	70 g cyl	1 lb	1339	130.00
8146	80 g cyl	1 lb	1338	134.00
8144	100 g cyl	1 lb	1337	139.00
8142	150 g cyl	1 lb	1336	145.00
8140	160 g cyl	1 lb	1335	162.00
8138	200 g cyl	2 lb	1334	165.00
8136	300 g cyl	2 lb	1333	172.00
8134	400 g cyl	2 lb	1332	188.00
8132	500 g cyl	2 lb	1331	191.00
8130	600 g cyl	2 lb	1330	241.00
8128	1,000 g cyl	5 lb	1329	245.00
8126	1,500 g cyl	6 lb	1328	253.00
8124	2 kg cyl	7 lb	1327	280.00
8122	3 kg cyl	9 lb	1326	457.00
8120	4 kg cyl	11 lb	1325	761.00
8118	4 kg grip	11 lb	1324	902.00
8116	5 kg cyl	13 lb	1323	887.00
8114	5 kg grip	13 lb	1322	971.00
8112	8 kg grip	19 lb	1321	1,286.00
8110	10 kg grip	24 lb	1320	1,333.00
8108	16 kg grip	36 lb	1319	1,863.00
8106	20 kg grip	48 lb	1318	1,998.00
8104	24 kg grip	53 lb	1317	2,328.00
8102	25 kg grip	58 lb	1316	2,397.00
8100	30 kg grip	68 lb	1315	2,811.00

Prices are subject to change without notice. Please call for current prices.

Other items are available from the manufacturers, please call for quote.



TROEMNER

Electronic Balance Calibration Weights

Stackable grip handle and cylindrical stainless steel weights for calibration and adjustment of all electronic balances and scales. Constructed of highly polished stainless steel. Made in strict accordance with standard specifications for laboratory weights and precision mass standards ANSI/ASTM E617.

Weights from 10g thru 5kg include a glove and a hinged carrying case with foam interior.

Optional cases and gloves are available for weights 8 kg thru 30 kg.

Also available in ASTM Class 2, 3 and 4 as well as Troemner Ultra Class.

NVLAP Certificate will include the Traceable Certificate statements plus all the readings of calibration.

ASTM Class 1

Part #	Weight	Ship Wt	Stock	List
8158W	10 g cyl	1 lb	5139	\$ 214.00
8156W	20 g cyl	1 lb	5140	214.00
8154W	30 g cyl	1 lb	5141	214.00
8153W	40 g cyl	1 lb	5142	214.00
8152W	50 g cyl	1 lb	5143	214.00
8150W	60 g cyl	1 lb	5144	214.00
8148W	70 g cyl	1 lb	5145	214.00
8146W	80 g cyl	1 lb	5146	214.00
8144W	100 g cyl	1 lb	5147	214.00
8142W	150 g cyl	1 lb	5148	309.00
8140W	160 g cyl	1 lb	5149	329.00
8138W	200 g cyl	2 lb	5150	333.00
8136W	300 g cyl	2 lb	5151	340.00
8134W	400 g cyl	2 lb	5152	352.00
8132W	500 g cyl	2 lb	5153	361.00
8130W	600 g cyl	2 lb	5154	406.00
8128W	1,000 g cyl	5 lb	5155	432.00
8126W	1,500 g cyl	6 lb	5156	466.00
8124W	2 kg cyl	7 lb	5157	478.00
8122W	3 kg cyl	9 lb	5158	651.00
8120W	4 kg cyl	11 lb	5159	956.00
8118W	4 kg grip	11 lb	5160	1,100.00
8116W	5 kg cyl	13 lb	5161	1,060.00
8114W	5 kg grip	13 lb	5162	1,161.00
8112W	8 kg grip	19 lb	5163	1,427.00
8110W	10 kg grip	24 lb	5164	1,505.00
8108W	16 kg grip	36 lb	5165	1,957.00
8106W	20 kg grip	48 lb	5166	2,139.00
8104W	24 kg grip	53 lb	5167	2,440.00
8102W	25 kg grip	58 lb	5168	2,538.00
8100W	30 kg grip	68 lb	5169	3,175.00



Calibration weights
Grip handle and Cylindrical



Optional cases



Optional case and glove

Prices are subject to change without notice. Please call for current prices.

Other items are available from the manufacturers, please call for quote.



TROEMNER

Analytical Weight Sets

Alloy 8 material for Precision Analytical Weights

Designed for your most precise weighing needs, Troemner's Precision Analytical Reference Weights and Weight Sets utilize a specially developed austenitic stainless steel, **Alloy 8**, available exclusively from Troemner. Alloy 8 is similar to the material originally specified for the state primary standards. Alloy 8 possesses closely controlled density, extremely low magnetic susceptibility, excellent stability and resistance to corrosion, assuring a very stable mass over time.

Weights 1g to 1kg are manufactured using Alloy 8 and come in cylindrical shapes with knobs on top for easy handling. Weights from 1mg to 30mg are aluminum and flat, with one side turned up to form a handle for non slip gripping with forceps. Weights from 50mg to 500mg are stainless steel and flat with one side turned up to form a handle. Weight sets 200g and above are supplied in oak cases while weight sets below 200g are supplied in strong polypropylene cases. All weight sets are marked with serial number, accuracy class and date of calibration. Forceps are included

Weight sets are designed to achieve any total mass by combining smaller masses. Weight sets are supplied in a 5-2-2-1 series meaning that weights beginning with a 2 are doubled in each decade and weights beginning with a 5 or 1 are single in each decade. The exception applies when a set begins with a 2. In that case the first weight is single, unless otherwise noted, and the remaining 2's in the set are doubled in each decade.

Weight set

Part #	Weight Set	Class	Weight	Stock	List
7228-1	100 g x 1 mg	ANSI/ASTM Class 1	2 lb	1377	\$ 1,619.00
7228-3	100 g x 1 mg	ANSI/ASTM Class 3	2 lb	1378	1,295.00
7228-4	100 g x 1 mg	ANSI/ASTM Class 4	2 lb	1379	1,132.00
7221-0	(2) 200 g x 1 mg	Troemner Ultra Class	4 lb	5170	2,173.00
7221-1	(2) 200 g x 1 mg	ANSI/ASTM Class 1	4 lb	5171	1,871.00
7221-4	(2) 200 g x 1 mg	ANSI/ASTM Class 4	4 lb	5172	1,307.00

Weight set with Traceable Certificate

Part #	Weight Set	Class	Weight	Stock	List
7228-1T	100 g x 1 mg	ANSI/ASTM Class 1	2 lb	5173	\$ 2,288.00
7228-3T	100 g x 1 mg	ANSI/ASTM Class 3	2 lb	5174	1,999.00
7228-4T	100 g x 1 mg	ANSI/ASTM Class 4	2 lb	5175	1,590.00
7221-0T	(2) 200 g x 1 mg	Troemner Ultra Class	4 lb	5176	3,140.00
7221-1T	(2) 200 g x 1 mg	ANSI/ASTM Class 1	4 lb	5739	2,881.00
7221-4T	(2) 200 g x 1 mg	ANSI/ASTM Class 4	4 lb	5740	1,894.00

Weight set with NVLAP Certificate

Part #	Weight Set	Class	Weight	Stock	List
7228-1W	100 g x 1 mg	ANSI/ASTM Class 1	2 lb	5177	\$ 3,177.00
7228-3W	100 g x 1 mg	ANSI/ASTM Class 3	2 lb	5178	2,513.00
7228-4W	100 g x 1 mg	ANSI/ASTM Class 4	2 lb	5179	2,181.00
7221-0W	(2) 200 g x 1 mg	Troemner Ultra Class	4 lb	5738	4,252.00
7221-1W	(2) 200 g x 1 mg	ANSI/ASTM Class 1	4 lb	5180	3,668.00
7221-4W	(2) 200 g x 1 mg	ANSI/ASTM Class 4	4 lb	5181	2,461.00



7228



7221



TROEMNER

Metric Gram Mass Sets - Stainless Steel

311-01S stainless steel weights, bottle shape, one piece construction, ANSI/ASTM Class 7 (Also meets OIML Class M2), 5-2-2-1 series. Milligram weights are aluminum and stainless steel. Covered box. Durable inert polypropylene with integral hinge. Milligram weights have individual compartments with clear cover. Forceps included.

341S stainless steel weights for school and industrial use. Weight set is reasonably priced and accurate. Fractional weights are satin finished aluminum and grouped in one compartment. Total capacity is 101 grams. ANSI/ASTM Class 7 (Also meets OIML Class M2). Mass set

Part No.	Weight Set	Weight	Stock	List
311-01S	100 g x 1 mg	2 lb	1380	\$ 136.00
341S	50 g x 10 mg	1 lb	1381	106.00

Mass set with Traceable Certificate

Part No.	Weight Set	Weight	Stock	List
311-01ST	100 g x 1 mg	2 lb	5182	\$ 344.00
341ST	50 g x 10 mg	1 lb	5183	280.00



311-01S



341S



TROEMNER

SWCF Weight case

Polycarbonate Case for 1kg Stainless Steel Test Weight has a comfortable handle, a recessed grip for removing the lid, side latches for holding the lid in place, and a color-coded insert. Urethane bumpers, both inside the lid and on the bottom of the case, gently hold the weight in place

Part No.	Capacity	Weight	Stock	List
SWCF-1000 weight case	1,000 g	1 lb	1618	\$ 63.00



SWCF-1000
Weight case

Weights

Prices are subject to change without notice. Please call for current prices.

Other items are available from the manufacturers, please call for quote.

13-01 Pollitt Dr Ext
Fair Lawn NJ 07410
201-797-2718

Totalcomp
Components

www.totalcomp.com
sales@totalcomp.com
Fax 201-797-2287

Weights



Brass Mass Cylindrical

Brass Mass, Cylindrical, Pound/Ounce

Individual cylindrical weights. OIML accuracy Class M-2. Polished brass.

Part No	Weight	Stock	List
1/4 oz Brass mass	1 lb	766	\$ 5.95
1/2 oz Brass mass	1 lb	1585	6.45
8 oz Brass mass	1 lb	1590	15.00
2 lb Brass mass	3 lb	1592	49.90



Ohaus Stainless Steel Mass, Cylindrical, Gram

Individual cylindrical weights. ASTM Class 6. Polished stainless steel.

Part No	Weight	Ship Wt	Stock	List
80850118	1g	1 lb	1075	\$ 22.00
80850119	2g	1 lb	1076	22.00
80850120	5g	1 lb	1077	23.00
80850121	10g	1 lb	1078	25.00
80850122	20g	1 lb	1079	28.00
80850123	50g	1 lb	1080	31.00
80850124	100g	1 lb	2705	44.00
80850125	200g	1 lb	2706	56.00
80850127	500g	2 lb	2707	89.00
80850128	1,000g	3 lb	2708	155.00



Stainless steel Mass Cylindrical

Prices are subject to change without notice. Please call for current prices.

Other items are available from the manufacturers, please call for quote.

13-01 Pollitt Dr Ext
Fair Lawn NJ 07410
201-797-2718

 **Totalcomp**
Components

www.totalcomp.com
sales@totalcomp.com
Fax 201-797-2287

Hazardous



8100IS Weight Indicators - Doran

Intrinsically safe indicators. UL certified.

81001IS is the basic indicator with (5) keys

8200IS has keyboard for numeric entry and function keys.

Units are lb, kg, oz, g, lb:oz. Keys for Tare, Gross/Net, Zero, Print, Units 304 stainless steel enclosure, IP66.



**8100IS Indicator
Intrinsically Safe**



**8200IS Indicator
Intrinsically Safe**

Part Number	Weight	Stock	List
8100IS indicator intrinsically safe	7 lb	278	\$ 1,445.00
8200IS indicator intrinsically safe w/keypad	7 lb	279	1,460.00

Options

8BIS battery pack	9 lb	280	650.00
8CHG charger	2 lb	281	370.00
8AIS AC power supply	14 lb	282	1,120.00



**8AIS
AC power supply**



**8BIS
Battery pack**



**8CHG
Battery charger**

SPECIFICATIONS

LOAD CELL(4)350 ohm load cells
5 VDC excitation

OUTPUTTwo remote switch inputs
Fiber optic to RS232 converter in safe area

POWER8BIS battery pack 8 hrs use w/36 hour charge
8CHG charger 120 VAC 50/60Hz
8AIS AC power supply 120 VAC 50/60Hz

KEYSTare, Gross/Net, Zero, Print, Units

DISPLAY0.75" LCD

SAFE AREA7VDC output

SIZE9"W x 4"D x 6"H, 9 lb
304 stainless steel enclosure IP6X

Hazardous

Prices are subject to change without notice. Please call for current prices.

Other items are available from the manufacturers, please call for quote.



Intrinsically Safe

Intrinsically safe CL1, 11, 111, Div 1, Groups ABCDEFG. Battery for use with H90-3052, H90-3052R, H90-3052DR or IND-HR5001-1. Recharge in safe area only.

Part Number	Weight	Stock	List
14617 Battery ACC 352	2 lb	416	\$ 476.00
25224 Quicksilver IS indicator	8 lb	418	1,026.00
31465 Battery Charger 530 ACC	4 lb	419	775.00
11033 Fairbanks grommet	1 lb	6269	22.33



**14617 Fairbanks
Battery charger**



**25224 Quicksilver IS
Indicator**



**31465 Fairbanks
Battery charger**

Hazardous

Prices are subject to change without notice. Please call for current prices.

Other items are available from the manufacturers, please call for quote.

13-01 Pollitt Dr Ext
Fair Lawn NJ 07410
201-797-2718



www.totalcomp.com
sales@totalcomp.com
Fax 201-797-2287



GSE 350 IS

350-IS Weight Indicators - GSE

Service parts only for GSE-350

Part Number	Weight	Stock	List
Service Parts			
44-35-41316 keypad assy	1 lb	3439	\$ 269.00



UMC600IS

UMC600IS Intrinsicly Safe Digital weight indicator - Condec

Service parts only for UMC600IS indicator
NTEP Legal for Trade 98-000

Part Number	Weight	Stock	List
Options			
KKW8900-1 I/O barrier assembly (Current loop output)	1 lb	4111	\$ 616.00

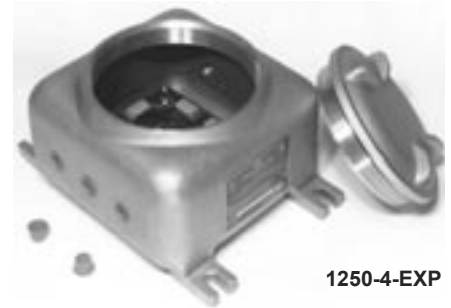


Explosion Proof Junction Box

Summing junction cards are mounted in enclosures rated Class I, Group D; Class II, Groups E, F & G; NEMA 7 & NEMA 9. Each box has 5 holes drilled and tapped for 1/2" conduit size. Screw on cover has O-Ring for NEMA 4 watertight. Also complies with UL Standard 886 and CSA Standard C22.2 No. 30 1970.

1250-4-EXP contains a summing junction card 1200 Series. It is behind a flat screw on lid for fast access and adjustment. Summing card will connect 2 to 4 load cells.

Part Number	Weight	Stock	List
1250-4-EXP	29 lb	1267	\$ 1,657.00



1250-4-EXP

Intrinsic Safety Barrier

Approved by Factory Mutual, for use with 1 to 4 load cells in a clear covered polycarbonate junction box. Load cells can have resistance between 350 ohms and 800 ohms. Indicator can have excitation voltage of 10 to 20 VDC and must have remote sense ability. The Instrument Society of America (ISA) in their latest publication ANSI/ISA-RP12.6 defines load cells with wheatstone bridge circuits as Nonenergy Storing Simple Apparatus since it is a device which will neither generate nor store more than 1.2 V, 0.1 A, 25 mW, or 20 μJ. Simple Apparatus require no approvals when connected to certified intrinsically safe associated apparatus such as Intrinsic Safety Barriers. This means that any load cell in this catalog may be used with these Intrinsic Safety Barriers. 4 lb, 8"x8"x6"h.

Part Number	Weight	Stock	List
MTL-7700 Std configuration -6 to +6 VDC	5 lb	1561	\$ 1,241.00
MTL-7700 Optional configuration 0 to +12 VDC	5 lb	1539	1,241.00

Service Parts

MTL-7715+	1 lb	291	296.00
MTL-7766PAC	1 lb	510	296.00
MTL-7764AC	1 lb	511	296.00
MTL-7761PAC	1 lb	512	296.00
DX070 enclosure	2 lb	513	351.00

Standard configuration (AD4321,AD4323)

Indicator power supply +6 VDC & -6 VDC (12 VDC) and +10 VDC & -10VDC (20 VDC)

Excitation	MTL-766	185 ohms max	11.2 VDC max
Sense	MTL-764ac	1075 ohms max	11.2 VDC max
Signal	MTL-761	145 ohms max	7.5 VDC max

Optional configuration(AD4316,AN5316,ITG3030)

Indicator power supply +12 VDC & 0 VDC (12 VDC) Grounded power supply.

Excitation	MTL-715+	155 ohms max	13.0 VDC max
Sense	MTL-764ac	1075 ohms max	11.2 VDC max
Signal	MTL-761	145 ohms max	7.5 VDC max



MTL-7700

Prices are subject to change without notice. Please call for current prices.

Other items are available from the manufacturers, please call for quote.



**Hazardous
Floor Base**

Hazardous Floor Base

High performance powder coated heavy duty floor scale for hazardous environment. Already configured with FM Approved summing box, load cells and hazardous home run cable. Standard features include: Top access FM Approved signal trim junction box. 20ft blue jacket hostile environment load cell cable. 4 NTEP Legal for Trade FM Approved alloy steel shear beam load cells. Heavy powder coated diamond safety deck. 4 adjustable mild steel foot. Threaded eye bolt holes for easy lifting. Top holes for easy leveling. NTEP Legal for Trade 16-016

Part Number	Weight	Stock	List
T3x3-2.5K	240 lb	8142	\$ 1,617.00
T3x3-5K	240 lb	8143	1,617.00
T3x3-10K	245 lb	8144	1,914.00
T3x4-2.5K	280 lb	8145	1,717.00
T3x4-5K	280 lb	8146	1,717.00
T3x4-10K	285 lb	8147	2,062.00
T4x4-2.5K	370 lb	8148	1,742.00
T4x4-5K	370 lb	8149	1,742.00
T4x4-10K	375 lb	8150	2,188.00
T4x5-2.5K	430 lb	8151	1,888.00
T4x5-5K	430 lb	8152	1,888.00
T4x5-10K	435 lb	8153	2,334.00
T5x5-2.5K	540 lb	8154	1,965.00
T5x5-5K	540 lb	8155	1,965.00
T5x5-10K	545 lb	8156	2,531.00

Service Parts

(1) FM J Box & (20)ft FM cable blue	1 lb	7114	272.00
-------------------------------------	------	------	--------



Pushbutton Station

Heavy duty oil tight assembled pushbutton station with one standard black button and one NO-NC contact block. NEMA 4 enclosure, 3.75"x3.75"x2". Cast steel painted light gray. Surface mounting with 4 thru holes hidden under cover. One 3/4"NPT entry hole at bottom for 3/4" conduit fitting. Legend plates in stock are engraved TARE, ZERO, PRINT. Custom legend plates are available.

Part Number	Weight	Stock	List
T3540 Single pushbutton station, does not include legend plate. Order below.	3 lb	825	\$ 318.00
Legend plate engraved TARE	1 lb	999	42.00
Legend plate engraved ZERO	1 lb	1000	42.00
Legend plate engraved PRINT	1 lb	1001	42.00

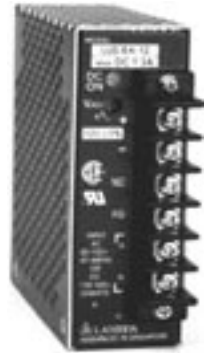


Legend Plates

Power Supplies

For use with process control setpoint indicators for relay control. Can also be used as an external load cell 12VDC power supply. Does not have remote sense. Should be used with a indicator that has signal adjust rather than power supply adjust on the sense amplifier. Will power (36)350 ohm load cells.

Part Number	Weight	Stock	List
12 VDC power supply 1.3 amp,3-3/4"x4-1/4"x1-1/2"	1 lb	660	\$ 129.00



12VDC Power Supply

Prices are subject to change without notice. Please call for current prices.

Other items are available from the manufacturers, please call for quote.

13-01 Pollitt Dr Ext
Fair Lawn NJ 07410
201-797-2718



www.totalcomp.com
sales@totalcomp.com
Fax 201-797-2287

Process



APLSG
Process indicator

Process control weight indicator

When process control does not require the extreme high accuracy necessary for commercial weighing, this indicator is the choice. It is a high quality low cost digital weight indicator for strain gauge load cells. Zero and span calibration is done with fine potentiometers and coarse Dip switches. Sealed metal front bezel (NEMA 4) for wash down and dusty environments. Panel gasket and mounting clips are included for panel mounting.

Part Number	Weight	Stock	List
APLSG Process control weight indicator	3 lb	1938	\$ 326.00

SPECIFICATIONS

LOAD CELL1.3 VDC to 10 VDC at 120ma
(4)350 or (8)700 ohm load cells

ANALOG INPUT5 μ V to 1000 μ V per div

CONVERSIONDifferential input amplifier with single ended
output.

OUTPUTN.A.

DISPLAYLED 0.56" high
+/- 1999 max display
Decimal location selectable
Display div is 1

ACCURACY0.01% of full scale

POWER115 VAC 50/60 Hz, 6 watts

SIZE3-3/4"W x 6.5"D x 2"H, 1.2 lb



Web Tension Transmitter

Web tension transmitter for applications that require a small, full function indicator/controller. DIN Rail-mount. RS-485 serial point interfaces with PLS/DCS systems using ASCII or Modbus RTU protocol. A high speed 4-20mA analog output provides input for a brake/clutch motor controller. May be easily calibrated using the integral LCD display and keypad. Applications include paper machines, Film/foil/filament converting, textile web measurement and roofing machines.



PS-2010T

Part Number	Weight	Stock	List
PS-2010T-2-2-1	10 lb	74	\$ 3,112.00

SPECIFICATIONS

LOAD CELL	10 VDC (2) 350 ohm load cell	DISPLAY	LCD display, 0.24" high
REMOTE INPUT	TTL or Dry contact closure Total tension, zero and print 0.0 to 0.4 vdc Low 4.0 to 24 vdc High	POWER	117/230 VAC +/- 15% @ 50/60Hz 24 VDC @1A 12 watts typical, 18 watts max
CONVERSION	7.5 to 120 updates per second 700,000 display divisions 1,048,576 internal divisions	SIZE	DIN-rail mount 3.0"W x 4.3"D x 5.8"L, 3 lb (Standard) 9.85"W x 6.13"D x 11.73"L (Single NEMA 4X) 11.8"W x 6.5"D x 13.7"L (Double NEMA 4X)
OUTPUT	4-20mA-500 ohm max RS485/422		

Process

Prices are subject to change without notice. Please call for current prices.

Other items are available from the manufacturers, please call for quote.

13-01 Pollitt Dr Ext
Fair Lawn NJ 07410
201-797-2718



www.totalcomp.com
sales@totalcomp.com
Fax 201-797-2287



CPJ-DIN
DIN rail mount



CPJ-Card
Analog output board

CPJ Analog Transmitter - Scaime

Signal Conditioner and analog transmitter will work with all strain gauge type inputs (load cells, pressure transmitters, etc.). CPJ output is 4-20ma or 0-10VDC. Works with load cells having 120 to 1000 ohm input and 2 to 3 mv/V output. Potentiometers for adjustment of zero and span.

Part Number	Weight	Stock	List
CPJ-DIN analog output DIN mount	1 lb	6245	\$ 419.00
CPJ-2S-DIN 2S Analog output w/ 2 relays	1 lb	4018	546.00

Service Parts

CPJ-Card Analog output board	1 lb	4017	333.00
------------------------------	------	------	--------

SPECIFICATIONS

LOAD CELL10 VDC 95 ma
(4)350 or (8)700 ohm load cells

ANALOG INPUT2 & 3 mv/V load cells

CONVERSIONDifferential input amplifier with single ended output

OUTPUT4-20ma, 0-10VDC
2 set points w/3A/250V relays

DISPLAYNone for weight
3 digit display for setpoint

ACCURACY0.1% of full scale

POWER12 VDC (11.5 to 27 VDC), 190 ma

SIZECard: 105mmW x 98mmD x 28mmH, 0.5 lb
DIN: 130mmW x 107mmD x 28mmH, 0.7 lb



Analog to Digital Converter

Signal conditioner with analog to digital converter, DIN-Rail mount. For use with strain gauge load cells. The ADC will convert the analog signal to digital using Advanced Load Cell Protocol. Input and output terminal blocks are lever type that assure good low voltage connections. Circuit card with components can be easily disconnected from main printed circuit card for convenient serviceability.

The TDLC-DIN provides a fast RS485 digital output for use with computers and PLC's. Baud rate is selectable, 19,200, 38,400, 57,600 and 115,200. Requires a 12 VDC power supply.

Part Number	Weight	Stock	List
128	1 lb	TDLC-Din Digital signal conditioner assembly	\$ 295.00
Options			
423	1 lb	USOTL4 adapter RS485 to USB	285.00
Service Parts			
2776	1 lb	TDLC Card w/ connectors	245.00



TDLC-DIN Digital signal conditioner

SPECIFICATIONS

LOAD CELL 5 VAC (3) 350 or (6) 700 ohm load cells	DISPLAY None
ANALOG INPUT 2 & 3 mv/V load cells	ACCURACY 0.1% full scale
CONVERSION Delta sigma A/D conversion Crystal Semiconductor 60 conversions per second	POWER 12 VDC, 125 ma each load cell.
OUTPUT RS485, 0 to +/- 400,000 Count load cell addresses up to 255 Baud rate 19,200 to 115, 200	SIZE 1.7" x 3.4" x 4.0" DIN-rail mount

Prices are subject to change without notice. Please call for current prices.

Other items are available from the manufacturers, please call for quote.



Laumas TLB
Load cell transmitter

Laumas load cell summing transmitter

Weight transmitter with 16 bit analog output.
 4-20 ma, 0-20 ma, 0-5 vdc, 0-10 vdc, -5 to +5 vdc, -10 to +10 vdc.
 Requires power supply 12-24 vdc, +/-10%, 5W.
 Will work with up to (8) 350 ohm load cells, 4/6 wires, 5 vdc excitation, 120 ma.
 Digital display 6 digits.
 RS485 output.
 25 mm x 115 mm x 120 mm.

Part Number	Weight	Stock	List
TLB load cell transmitter	1 lb	3711	\$ 388.00



Calex 4800

Calex Load cell summing transmitter

AC or DC powered summing transmitter that has a four load cell capacity. Applications include precision weighing, process control add-on loop, and can be used with all types of low output sensors. Included is a NEMA 4 enclosure with a complete strain gauge bridge signal conditioner. Load cell excitation is 10 VDC for use with up to (4)350 ohm load cells. Analog input 5 mv to 50 mv full scale. Output is 4-20 ma or 0-20 ma or 0-20 vdc. Capable of taring up to 80% of the output of a 3mV/V load cell. Power 115 VAC (90 to 130VAC) or 11-30 VDC (8W). 12.5"W x 9"D x 4.4"H, 3 lb

Part Number	Weight	Stock	List
4800SA summing board	3 lb	192	\$ 1,242.92



Power supply
Toledo
30388323

Toledo power supply

Power supply for use with Toledo equipment. XSR322001L, 60W, 12VDC.

Part Number	Weight	Stock	List
30388323 Toledo power supply 60W 12VDC	0.65 lb	1018	\$ 407.14





AD103C Digital Transducer Amplifier - HBM

Complete bridge transducer amplifier with RS232 interface. Patented error-free high speed integrating A/D conversion. Extensive command set makes it easy to setup and communicate. Built-in user selectable digital low pass filters. User adjustable system zero and span scaling factors. User configurable linearization correction. Automatic background calibration. On-board EEPROM to store setup parameters.

Part Number	Weight	Stock	List
1-AD103C Digital transducer amplifier	1 lb	2218	\$ 1,131.00

Options

1-AED 9101D housing for use with AD103C	1 lb	76	1,038.00
---	------	----	----------



**AD103C
w/AED9001D**

SPECIFICATIONS

LOAD CELL 5 VDC
 (1)350 ohm cell(AD101)
 (4)350 ohm load cells(AED9001)
 6 wire remote sense

ANALOG INPUT-3.2 mV/V to +3.2 mV/V

CONVERSIONUpdate rate 150 Hz nominal
 24 bit remote display div

OUTPUTRS232 bidirectional
 Baud rates 1200, 2400, 4800.
 9600, 19.2K, 38.4K, 76.8K bps
 1 start bit, 8 data bits, 1 stop bit,
 Even parity, XON/XOFF handshake.

DISPLAYRemote display only(by others)

ACCURACY0.025% of full scale

POWER7.8 to 15 VDC, 60 ma(AD101)
 10 to 30VDC, 120ma(AED9001),
 Nominal: 12 VDC, 1.5 watts

SIZE3.7"L x 2.1"W x 0.7"H, 3 lb

DXP-40 Weight Transmitter - BLH

The DXp-40 digital transmitter individually digitizes each transducer in a multi-cell weigh system for the purposes of greater system resolution and accuracy, and continuous diagnostics of system and transducer performance. In addition to the benefits of operational security, keypad calibration of each transducer eliminates the need for on-site deadweight calibration on many systems. Optional Dynamic Digital Filtering maximizes stability and dynamic response by continuously analyzing system noise characteristics and automatically adjusting software filtering parameters. The optional 16 bit analog output provides a high-resolution weight data interface for non-digital process control equipment. Available discrete I/O points (4 inputs and 4 outputs) offer local setpoint control or diagnostic alarm status annunciation. DXp-40 units provide designers with a wide range of communication and network options. Available "Easy Digital Interfaces" include Allen-Bradley Remote I/O, Modbus RTU, and conventional ASCII. The DXp-40 is housed in a NEMA 4 or 4X enclosure and carries FM/CSA Approvals for Division 2 hazardous locations..

Part Number	Weight	Stock	List
DXP-40-2-1-2-7-1 BLH weight transmitter	13.14 lb	586	\$ 6,630.00



DXP-40

Prices are subject to change without notice. Please call for current prices.

Other items are available from the manufacturers, please call for quote.

13-01 Pollitt Dr Ext
 Fair Lawn NJ 07410
 201-797-2718



www.totalcomp.com
 sales@totalcomp.com
 Fax 201-797-2287



TSC

TSC Totalcomp Signal conditioner

TSC signal conditioner signal card is mounted inside a Stainless Steel IP67 box. Inside you will have a regular signal trim summing card (max. 4 load cells), second portion of the card is analog output module that is switchable between 4-20mA and 0-10VDC. Surface mounted micro switches for calibration procedure allow for quick and easy setup. Provide power from your equipment requires 12-24VDC. A multi-meter is required for set up.

Part Number	Weight	Stock	List
TSC signal conditioner	3 lb	1050	\$ 379.00

SPECIFICATIONS

LOAD CELL5 VDC (4)350 ohm load cells	DISPLAYNone
ANALOG INPUT -3.2 mV/V to +3.2mV/V	ACCURACY0.1% of full scale
CONVERSIONDifferential input amplifier with single ended output	POWER12-24 VDC
OUTPUTCurrent 4-20ma Voltage 0-10V	SIZE8.5"W x 6.75"D x 1.6"H, 3 lb



460

460 Bridgesensor Signal Conditioner

Self contained signal conditioner will work with all strain gauge load cells. Output is 0-10 VDC analog. AC powered. Capable of driving (4) 350 ohm load cells. Bridge balance with 80% tare offset capability. Rugged epoxy encapsulated design.

Part Number	Input	Output	Weight	Stock	List
460 Bridgesensor	115 VAC	-10 VDC to +10 VDC	2 lb	1824	\$ 677.67

SPECIFICATIONS

LOAD CELL5 to 10 VDC 120 ma (4)350 or (8)700 ohm load cells Remote sense for long cable runs	DISPLAYNone
ANALOG INPUT2 & 3 mV/V load cells	ACCURACY0.01% of full scale
CONVERSIONPrecision differential input amplifier with isolated, filtered output	POWER433: 115 VAC +/-10V 50/60 Hz, 7 VA 460: 115 VAC +/-10V 50/60 Hz, 7 VA
OUTPUT-10 VDC to +10 VDC	SIZE3.75"W x 2"D x 2.87"H, 2 lb



T4710 & T4720 Bridgesensor

Self contained, DC powered Din-Rail mount module designed for strain gage load cells. Output of 4-20ma or 0-10VDC. Precision instrumentation amplifier, filtered output and a built-in 10V excitation supply capable of driving a 350 ohm bridge. The 0-30mV input range makes it compatible with most strain gage based load cell or pressure transducer outputs. Needs external 24VDC power supply. Connections are made via easily accessible screw clamp terminal blocks. Zero and Span adjustment potentiometers are located externally for easy access.

Part Number	Weight	Stock	List
T4710-D Bridgesensor Din Rail 0-10V	1 lb	3731	\$ 330.00
T4720-D Bridgesensor Din Rail 4-20ma	1 lb	3798	322.71

Options

MDR-20-24 power supply DIN rail mount Input 85-264VAC, Output 24VDC, 1 amp	1 lb	3712	45.70
SW124-24-N-SC power supply plugs into outlet Input 90-264VAC, Output 24VDC, 1 amp	1 lb	3713	58.00



T4720-D Bridgesensor



MDR-20-24 Power supply



SW124-24-N-SC Power supply



201 Weight Transmitter

Weight transmitter made for mounting inside a panel or enclosure with exposed terminal blocks for easy set up and trouble shooting. Outputs are 4-20ma, 0-10 VDC analog, RS232, RS485, (4) digital inputs, (4) digital outputs, Modbus, Ethernet, USB and Web page output. Features a 1/2" high 7 segment LCD display with backlight and Annunciators for OVER, UNDER, Accept, IN1, IN2, IN3, IN4, OUT1, OUT2, OUT3, OUT4. Comes with 35mm DIN rail mounting bracket. 12-24 VDC, 6w power is required..

Part No	Weight	Stock	List
201 Weight Transmitter	2 lb	4728	\$ 1,010.00



201 Weight Transmitter

SPECIFICATIONS

LOAD CELL 11.72 VDC 120 ma (8)350 ohm load cells Remote sense for long cable runs	DISPLAY (6) digit 7 segment 0.5" high, LCD, backlight Annunciators OVER, UNDER, ACCEPT IN1, IN2, IN3, IN4, OUT1, OUT2, OUT3, OUT4
ANALOG INPUT 2 & 3 mv/V load cells 0.5mV min to 35mV max	ACCURACY 0.01% of full scale
CONVERSION Precision differential input amplifier with isolated, filtered output	POWER 12-24 VDC 6 watts
OUTPUT RS232, RS485, (4)Digital inputs, (4)Digital outputs 4-20ma, 0-10VDC analog Modbus, Ethernet, USB, Web page	SIZE 4"W x 1.9"D x 4.2"H, 2 lb

Process

Prices are subject to change without notice. Please call for current prices.

Other items are available from the manufacturers, please call for quote.

13-01 Pollitt Dr Ext
Fair Lawn NJ 07410
201-797-2718



www.totalcomp.com
sales@totalcomp.com
Fax 201-797-2287



TSR-L Smart Remote display - Totalcomp

Bright digits, L.E.D. seven segments, 6 digit, max 999999. For indoor use away from direct sunlight for best viewing. Serial input RS232C, 20 ma serial current loop, active or passive. 1200, 2400, 4800, 9600 baud, 7 or 8 data bits, odd, even or no parity, 1 or 2 stop bits. No setup is required. Just connect the signal wires. Press the LEARN button and the Smart Remote sets itself up. Rugged enclosure is weathertight for harsh environments. Painted steel enclosure. Mounting is either panel, desk or U Bracket which allows a full 360 degree swivel and easy tilting for the optimum viewing angle. -40 deg C to +75 deg C. 115 VAC, 60 Hz. Other operating voltages such as 12VDC, 24VDC, 230VAC, 50Hz are available as a special order.



TSR-0.4L
Panel Mount

Part No	Height	Dist	Case"	Watt	Weight	Stock	List
---------	--------	------	-------	------	--------	-------	------

Panel mounting only. 1/8 DIN size. NEMA 1 (Not weathertight)

Power cord (120VAC) is not included.

TSR-0.4L	0.4"	16'	5.5x3.75x2h	6	2 lb	1564	\$ 723.00
----------	------	-----	-------------	---	------	------	-----------



TSR-0.4L-EXP
Explosion proof



Explosion Proof

TSR-0.4L-EXP 0.4"	0.4"	16'	8x5x5h	6	8 lb	2631	1,886.00
-------------------	------	-----	--------	---	------	------	----------



TSR-1L
Desk or panel mount

Desk or panel mount NEMA 1 (Not weathertight)

TSR-1L	1"	40'	7.5x6.5x3.5h	6	2.91 lb	1756	732.00
--------	----	-----	--------------	---	---------	------	--------

24 VDC Desk or panel mount NEMA 1 (Not weathertight)

TSR-1L-DC	1"	40'	7.5x6.5x3.5h	6	2.91 lb	1767	732.00
-----------	----	-----	--------------	---	---------	------	--------

ANYLOAD

808AH Anyload remote display

Rugged, durable and easy to install. Bright high intensity LED. Automatic learn mode to set up communication and incoming data format. Automatic brightness settings for day and night. Switch inputs and a relay output to control traffic light. One or two decimal places with a dot or comma. Wall mount and pole mount kits included. Sun visor and rain shield included. Weather proof mild steel powder coated enclosure. GR, NT, lb, kg annunciators. Breather vent to avoid internal condensation. Serial ports for RS-232, RS-422/485 and 20ma current loop. Baud rates: 300, 600, 1200, 2400, 4800, 9600, 38400, 57600. 120VAC, 60Hz. NEMA 4 IP65
 5" display 22.8"L x 9.8"H x 5.9"D
 2.5" display 11.65"L x 7.52"H x 2.64"D

Part Number	Weight	Stock	List
808AH Remote display 5"	20 lb	2245	\$ 1,737.00
808CH Remote display 2.5" compact	14 lb	2246	1,137.00



8058AH
Remote Display



8058CH
Remote Display



Aurora remote display - Western Weighing

Tough, dependable and weatherproof. Mild steel with powder coated finish. 6 digit 7 segment, no glare lens LED display. Annunciator lights for: GR, NT, lb, kg. 5 standard communication protocols. Selectable day and night brightness levels. Power save mode. Built-in relay for external traffic light control (except 2"). Leading zero suppression. Optically isolated port for lighting protection. Switch selectable configuration and options. RS 232, RS 422, RS 485 multi drop. 20 mA current loop active and passive. 90 to 240 VAC. 2 year warranty.



Aurora 45 lighted



Aurora 65 lighted



Aurora 45 SL w/ stop light



Aurora 20 lighted

Part Number	Digital Height	Dist	Weight	Stock	List
Aurora 10 lighted	1"	40'	10 lb	6992	\$ 715.00
Aurora 20 lighted	2"	80'	15 lb	6986	795.00
Aurora 20 lighted(12VDC)	2"	80'	15 lb	6993	795.00
Aurora 20 lighted Stainless	2"	80'	15 lb	6994	975.00
Aurora 45 lighted	4.5"	180'	30 lb	6983	1,325.00
Aurora 45 lighted Stainless	4.5"	180'	30 lb	6995	1,650.00
Aurora 45 SL w/ stop light	4.5"	180'	30 lb	6985	1,650.00
Aurora 65 lighted	6.5"	260'	55 lb	6984	1,650.00

Options

111828 Pole Mount Kit	5 lb	6925	165.00
112070 Scale link wireless transceiver for scale indicator	3 lb	6988	525.00
XBP09-XCSIT Integrated wireless kit	1 lb	6987	250.00

Service Parts

112155 Aurora 45 display SMT PCB	1 lb	6911	307.00
112169 Aurora 45/65 G3 controller PCB	0.25 lb	6910	250.00
112276 Aurora 45-SL digit display SMT PCB(stop light)	1 lb	6629	325.00
112279 Aurora 45-SL signal display SMT PCB(stop light)	1 lb	6630	345.00
112169-SL Aurora 45-SL controller PCB (stop light)	0.25 lb	6458	250.00
112264 Aurora 65 display SMT PCB	1 lb	6996	325.00
112013 Aurora 45/65/SL keypad	1 lb	6997	28.50
112389(PS-65-12) Aurora 45/65/SL power supply	2 lb	6964	95.00
112163 Aurora 20 display board (SMT LED)	1 lb	6998	300.00
112188 Aurora 20 controller board (G2/keypad)	1.35 lb	6580	250.00
112195 Aurora 20 keypad	1 lb	6999	25.00
112379(PS-25-12) Aurora 20 power supply	2 lb	7000	95.00
111743 display lens for Aurora 45SL (Stop Light)	1 lb	6631	125.00



SA2000 Remote display - Intercomp

For indoor use only. Will interface with any digital indicator, terminal, or computer with standard output. The display features light emitting diodes (LED's) which can withstand temperatures ranging from -50 deg F to 120 deg F. Has 8 digits 5x7 dot matrix alphanumeric LED. Decimal point is selectable. One or two fixed zeros. RS232 or 20ma current loop active or passive. Baud rates 50 to 9600. Power required is 9 to 12 VAC or VDC at 3 amps provided by power supply (included) UL listed, plug in wall transformer, 120VAC, 60Hz, 1 amp with 6 ft 3 wire cable to display. Easily extended in the field. NEMA 1 for indoor use, 16"W x 4"D x 5"H. Power supply wall transformer 2" x 2" x 3".



SA2000

Part Number	Height	Dist	Weight	Stock	List
SA2000 Alpha-numeric display	2"	60'	8 lb	1028	\$ 495.00

Remote

Prices are subject to change without notice. Please call for current prices.

Other items are available from the manufacturers, please call for quote.

13-01 Pollitt Dr Ext
 Fair Lawn NJ 07410
 201-797-2718



www.totalcomp.com
 sales@totalcomp.com
 Fax 201-797-2287



TWLC
Wireless Load Cell
Transmitter/Receiver

TWLC Wireless Load Cell Transmitter/Receiver - Totalcomp

Receiver is powered by indicator excitation voltage. Transmitter has internal rechargeable battery. 270 hour battery life with one 350 ohm load cell. Up to (12) 350 ohm cells can be connected to one set up. Up to 150 sets can be used in the same area without interference.

Part Number	Weight	Stock	List
TWLC Wireless load cell transmitter/receiver	2 lb	799	\$ 499.00

Service Parts

AC adapter TWLC 100/240vac to 5vdc 1a	0.25lb	826	28.90
---------------------------------------	--------	-----	-------



A&D WEIGHING DIVISION



AD-8920

AD-8920 Remote digital display - A&D

Remote display for A&D Electronic balances. Connects to either the RS232 or the Current loop interface. Bright 7 digit VFD is easy to read. 4.72" W x 2.99" D x 3.54" H. Powered by 115 AC adapter which is included.

Part Number	Weight	Stock	List
AD-8920 Remote display	2 lb	1160	\$ 315.00



TRANSCCELL TECHNOLOGY, INC.

TI-500EP Remote Display - Transcell

This remote display is a standard TI-500EP indicator which has a selectable feature to be a remote display. LED display with 0.6" digit height. 120 VAC 0.5 watts.

Part Number	Digit Height	Dist	Weight	Stock	List
TI-500EP Remote display	0.6"	24'	4 lb	6437	\$ 295.00



TI-500EP

Prices are subject to change without notice. Please call for current prices.

Other items are available from the manufacturers, please call for quote.

ARGOX

Empower the Barcode

Direct Thermal Printer - Argox

Compact. High performance and cost effective solution for your barcode and labeling requirements. Direct thermal desktop barcode printer that offers outstanding features and exceptional value. Easy to operate, space saving and reliable. Internal Real Time Clock (RTC) with buzzer for error warning function when printer runs out of paper or paper jams. The internal RTC facilitates time and date marking for stand alone operation. Ideal for low to medium volume printing needs. Ideal for applications such as point of sale, weight scales, mailing, banking, ticketing, patient tracking, kiosks and document labeling. 2.83 inch printing width. 203 dpi print resolution and up to 4ips printing speed. 32 bit CPU and 4MB flash; 8MB SD RAM memory standard. Communication interfaces: RS232, USB, Cash Drawer, Ethernet (optional) to fit in various systems. Tear off bar built in. Windows 7 OS. Power adapter 100-240 VAC, 1.5 amps, 24 VDC output.

Part Number	Weight	Stock	List
OS-2130D	3 lb	1716M	\$ 411.00

Service Parts

10015342 Labels 2.25"W x 2"H, case (12)	11 lb	3709	218.00
---	-------	------	--------



OS-2130D

Prices are subject to change without notice. Please call for current prices.

Other items are available from the manufacturers, please call for quote.

13-01 Pollitt Dr Ext
Fair Lawn NJ 07410
201-797-2718

 **Totalcomp**
Components

www.totalcomp.com
sales@totalcomp.com
Fax 201-797-2287



DT2x



DT4x

Direct Thermal Printer - GoDex

Direct thermal. One tri-color LED: Power (green, orange, red). Control key: Feed. 203 DPI. 4 IPS. QLabel-IV label design software. Adjustable reflective sensor. Fixed transmissive sensor, central aligned. Real time/date. 4MB Flash (2MB for user storage); 8MB SDRAM. Resident graphic file types are BMP and PCX, other graphic formats are downloadable from the software. The real time clock for the DT2XW must be ordered separately. USB port and cable included. RS232 (9) pin serial port. Auto switching 100-240VAC, 50-60Hz.

DT2X : 3.94"W x 6.77"D x 8.58"H

DT4X: 6.61"W x 6.53"D x 8.58"H

Part Number	Weight	Stock	List
DT2X printer 2"	5 lb	7836	\$ 370.00
DT4XW printer 4" (w/o real time clock)	7 lb	7837	390.00

Options

031-863001-000 real time clock for DT4XW	1 lb	7069	28.00
Stripper module for DT2x	1 lb	7838	50.00
Guillotine cutter for DT2x	3 lb	7839	195.00
Dispenser peeler for DT4xW	1 lb	7840	50.00
Cutter module for DT4xW	3 lb	7841	195.00
External label roll holder	1 lb	7842	35.00
Cleaning pens (6) pack	1 lb	7843	23.00
2.25"W x 3"H Direct thermal label roll (500)	1 lb	7844	25.00
3"W x 2"W Direct thermal label roll (1,240)	1 lb	7845	23.00
4"W x 2"H Direct thermal label roll (1,240)	1 lb	7846	48.00

Service Parts

2" 200DPI TPH Thermal print head for DT2x	1 lb	7848	125.00
4" 200DPI TPH Thermal print head for DT4x	1 lb	7849	195.00
Switching power supply DT2x & DT4x	1 lb	7850	125.00





LP-2022 Bar Code Label Printer - Eltron

Service parts only.

Part Number	Weight	Stock	List
Service Parts for LP2022			
Print head for LP2022	1 lb	489	\$ 205.00
Feed switch assy for LP2022, pack of 5	1 lb	4074	122.50
Gap sensor kit for Eltron LP2022	1 lb	4075	47.90
Plastic cover for roll labels	1 lb	1551	77.00
2.25"W x 0.75"H label rolls case of (12)	11 lb	4477	83.70
2.25"W x 2"H label rolls case of (12)	11 lb	3709	218.00
Labels for direct thermal only			
4"W x 2.5"H direct thermal label rolls case of (6)	20 lb	4478	146.00
4"W x 4"H direct thermal label rolls case of (12)	20 lb	3710	322.00
4"W x 5"H direct thermal label rolls case of (12)	20 lb	1538	342.00



LP-2042PSA

Prices are subject to change without notice. Please call for current prices.

Other items are available from the manufacturers, please call for quote.

13-01 Pollitt Dr Ext
 Fair Lawn NJ 07410
 201-797-2718



www.totalcomp.com
 sales@totalcomp.com
 Fax 201-797-2287



GX420T
Direct Thermal Printer

Direct Thermal Printer - Zebra

Best in class speed and performance. From the basic GK model to the feature rich GX model, the G-Series printers are reliable, durable and flexible to fit almost any low to mid-volume printing application and budget. Providing ease of use, the G-Series and GX models are reliable desktop printing solutions that are always a perfect fit. Both GK and GX models are equipped with EPL and ZPL programming languages, you can switch between languages depending on desired label format.

GK: The Zebra GK model is your best value in a basic desktop thermal printer. It's enhanced performance delivers fast print speeds of up to 5 inches per second and fast first label out. USB and serial connectivity interfaces come standard, or use the ZebraNet 10/100 Print Server option for distributed printing.

GX: The Zebra GX model is the best in class with the widest range of features in a desktop thermal printer. It delivers even faster first label out and, at 6 inches per second, offers the fastest desktop printer speed on the market. More connectivity choices; USB/serial/parallel, 10/100 Ethernet and wireless, ensure easy system integration. An LCD panel, included with wireless options, displays prompts and wireless status.

Label width 0.75" to 4.25". Max print width 4.09". Print speed 5"/sec.

Part Number	Weight	Stock	List
GK420D	7 lb	6926	\$ 619.23
GX420D	7 lb	6928	844.00
GX420T	7 lb	6929	944.00

Ovation! 2 Bar Code Label Printer

Thermal transfer and direct thermal. RS232 and parallel interface. High quality 203 dpi resolution. Prints 2" per second. 4.16" maximum print width. Prints code 39, interleaved 2 of 5, Code 128 (subsets A, B and C), Codabar, UPC-A, UPC-E UPC 2 & 5 digit addendums, EAN-8, Ean-13, Code 93, UCC/EAN Code 128, Postnet, PDF417, Code 128 MOD 43, and UPS Maxicode. Comes with Windows driver. Dimensions, 8.8"W x 10.1"D x 6.2"H. 115VAC 50/60 Hz.

Part Number	Weight	Stock	List
Ovation! 2 direct thermal label printer	7 lb	4133	\$ 795.00
Ovation! 2 thermal transfer label printer	7 lb	4134	845.00

Options

Interface cable 6' to PC	1 lb	4135	49.00
--------------------------	------	------	-------



Ovation! 2

Prodigy Plus & Prodigy Max Bar Code Label Printer

Service parts only for Prodigy thermal transfer and direct thermal.

Part Number	Weight	Stock	List
Service Parts			
Print head for Prodigy Max & Plus	1 lb	490	\$ 454.55
Service Manual for Prodigy Plus	1 lb	3781	95.00



Prodigy Plus
Bar Code printer
Thermal transfer and
direct thermal



Prodigy Max
Bar Code printer
Thermal transfer and
direct thermal

Prices are subject to change without notice. Please call for current prices.

Other items are available from the manufacturers, please call for quote.



232CL4

Serial to 20ma current loop converter

This adapter allows RS232 input printers to be used with indicators that have only 20 ma serial output. RS232 side has 25 pin connector and 20ma serial side has terminal blocks. If the 20ma loop needs a power supply to make it active, use the optional power supply. 2"W x 2.5"D x 0.6"H.

Part Number	Weight	Stock	List
232CL4 Converter RS232/20ma & 20ma/RS232	1 lb	3274	\$ 208.00

Options

232PS2 Power supply for 20ma active	1 lb	3275	36.00
-------------------------------------	------	------	-------



CBM-910 Palm sized Printer

Light weight, palm sized dot matrix roll paper printer. Desktop or wall mountable. Ultra compact and perfect for a wide array of applications. Paper near end detection. AC power adapter included. 4.17"W x 7"D x 3.5"H

Part Number	Weight	Stock	List
CMB-910 Ticket printer	2 lb	7426	\$ 395.00
Options			
80251932 Roll paper	1 lb	7427	27.00
80251933 Ink ribbon	1 lb	7428	73.00
80500570 RS232 Cable & adapter, Voy/Exp	1 lb	7429	193.00
80252571 RS232 Cable & adapter, Disc/Pion/MB	1 lb	7430	193.00
80252574 RS232 Cable & adapter, CW/CKW/T	1 lb	7432	278.00
80251934 adapter	1 lb	7433	46.00



CBM-910



TYJ-360-D Tape Printer, serial input

Dot matrix tape printer. 30 column. RS232 input. 12 VDC operation for use on mobile equipment such as vans or trucks. Uses standard adding machine tape 2-1/4" wide with diameter 2-3/8". Plastic lid protects roll paper. Baud rates 2400, 9600, 19,200, 115,200, none/odd/even parity, 7/8 data bits 1 stop bit, X-ON/X-OFF protocol. Power On/Off switch, FEED key, ON LINE key. 12 VDC, 5 watts, 4.5"W x 6.5"D x 3.5"H. AC adapter sold separately.

Part Number	Weight	Stock	List
TYJ-360-D Ticket printer, 12VDC	5 lb	4570	\$ 452.00
Option			
AC adapter 100-240VAC/12VDC	1 lb	6362	28.79
Service Parts			
WP:PP137 Roll paper, pack of 5	1 lb	1596	16.00
ET:ERC-09 ink ribbon *	1 lb	2751	18.80

* Also used in Toledo SQC-14, NCI 1220 and Weightronix WP-223, 230, 231, 233



TYJ-360-D

Prices are subject to change without notice. Please call for current prices.

Other items are available from the manufacturers, please call for quote.

13-01 Pollitt Dr Ext
Fair Lawn NJ 07410
201-797-2718

Totalcomp
Components

www.totalcomp.com
sales@totalcomp.com
Fax 201-797-2287



SP298 Ticket Printer - Star

42 column dot matrix ticket printer will accept RS232 input. Has 512 byte data buffer. 9 pin shuttle impact dot matrix. Print speed 3.1 lines/sec. Max paper thickness 0.2mm Original and 2 copies. One color cartridge ribbon. Characters are 1.2 x 2.42mm, 42 characters/line, 16.9 CPI. Order mating connector DB25P separately. 115/230VAC 50/60 Hz, 15 watts, 180 x 190 x 138mmH.



SP298

Part Number	Weight	Stock	List
SP298 Ticket Printer w/o power supply	8 lb	3282	\$ 725.00

Service Parts

PS60A-24C power supply for SP298 100-240VAC to 24VDC	1 lb	3283	47.55
---	------	------	-------

ZX1300i printer GODEX



Z X1300i

Part Number	Weight	Stock	List
ZX1300i printer w/ rewind.	28 lb	653	\$ 2,295.00

TM-U295 Ticket Printer - Epson

35 column dot matrix ticket printer will accept RS232 input, Has 4K data buffer. 7 pin shuttle impact dot matrix. Print speed 2.1 lines/sec. Max paper thickness 0.35mm. One color cartridge ribbon. Characters are 1.6 x 2.9mm, 35 characters/line, 13.5 CPI, 2.6" print line. Order mating connector DB25P separately. 115/230VAC 50/60 Hz, 15 watts, 180 x 190.5 x 101.5mmH.

Part Number	Weight	Stock	List
TM-U295 Ticket Printer w/power supply	8 lb	2225	\$ 656.00

Options

4 ft cable to indicator, assembled w/connector	1 lb	710	80.00
Additional serial cable per foot	1 lb	711	1.50
12 V battery converter to operator printer w/12 V battery	1 lb	2415	172.00

Service Parts

ERC-27 Ink ribbon cartridge, purple	1 lb	2223	20.20
ERC-27 Ink ribbon cartridge, black	1 lb	7162	12.90

Also used in the following printers:

Fairbanks	50-3930
GSE	Syntest
Toledo	8807

TM-U295 Printer w/o power supply	6 lb	2222	596.00
Power supply 100-240VAC to 24VDC 2A w/power cord	2 lb	2224	89.28



TM-U295

TM-U590 Ticket Printer - Epson

88 column dot matrix ticket printer with RS232 input. Has 4K byte data buffer. 9 pin shuttle impact dot matrix. Print speed 311 char/sec. Max paper thickness 0.3mm. Original and 4 copies. One color cartridge ribbon. Characters are 1.3 x 3.1mm and 1.6 x 3.1mm, 12.5 and 16.7 CPI. Order mating connector DB25P separately. 120VAC 50/60 Hz, 43 watts, 9.9"W x 10.5"D x 7.3"H.

Part Number	Weight	Stock	List
TM-U590 Ticket Printer w/power supply	13 lb	2546	\$ 1,164.00

Service Parts

ERC-31 Ink ribbon cartridge, purple	1 lb	2729	19.70
Power supply 100-240VAC to 24VDC 2A w/power cord	2 lb	2224	83.95



TM-U590
Ticket printer

Prices are subject to change without notice. Please call for current prices.

Other items are available from the manufacturers, please call for quote.

13-01 Pollitt Dr Ext
Fair Lawn NJ 07410
201-797-2718

 **Totalcomp**
Components

www.totalcomp.com
sales@totalcomp.com
Fax 201-797-2287



TRANSCELL TECHNOLOGY, INC.



MP-20

MP-20 Printer

Service parts only.

Part Number	Weight	Stock	List
Service parts			
Roll paper, thermal, 2"W (10)pk	2 lb	5504	32.85



DPT printer Datamax

Part Number	Weight	Stock	List
1-4212E-203	28 lb	686	\$ 1,808.00



I-4212E/203



M-Class Mark II printer Datamax

The M-Class is a perfect solution for warehouse, healthcare, logistics or retail applications. The modular design of the M-Class makes maintenance and part replacement easy, and the flexible design allows a variety of options to be upgraded in the field. With an easy-to-navigate LCD graphics display for menu and printer function control, it is designed for any level of user. Support of UHF or HF RFIP configurations for current or future requirements protects your printer investments. The high quality features, performance, and rugged reliability make the M-Class II the best value of any printer on the market. Dimensions are 10.21" H x 10.10" W X 18.19" D (249mm H x 257mm W x 462mm D)

Part Number	Weight	Stock	List
DMX-M-4206 Thermal Prime	28 lb	679	\$ 950.00



DMX-M-4000

Prices are subject to change without notice. Please call for current prices.

Other items are available from the manufacturers, please call for quote.

13-01 Pollitt Dr Ext
Fair Lawn NJ 07410
201-797-2718



www.totalcomp.com
sales@totalcomp.com
Fax 201-797-2287

DATAMAX®



I-4208

I-4208 Printer Datamax

Direct thermal, optional thermal transfer printer. Die-cast aluminum frame. Metal construction, clear side window to easily monitor media supply levels. Keys are: PAUSE, FEED, CANCEL, MENU, TEST. Ten alphanumeric fonts. Fonts expandable vertically, and horizontally up to 24x, fonts and graphics can be printed in four directions: 0, 90, 180, 270 deg. .PCX, .BMP, .IMG graphic files supported. Data Programming Language(DPL). Dual locking printhead. Auto-resetting board fuses. Split ribbon supply hub. Improved fanfold capability. Color coded component cues. Flash memory. RS232C and Centronics Parallel ports included for host communication. 32 bit processor with 8MB of memory. Accelerated formatting and fast first label outputs. Resolutions up to 600 dpi. Print speeds up to twelve inches per second. Windows driver used for creating label formats using any Windows based program. Centronics Parallel port, IEEE 1284 compliant. RS232 at 2,400 to 38,400 BPS, optional Ethernet, USB and Twin/Coax. 120 VAC, 47/63 Hz. 12.70"H x 12.62"W x 18.60"D

Part Number	Weight	Stock	List
I-4208 Printer	45 lb	6776	\$ 1,784.00
I-4208 Printer w/ Rewind	45 lb	6777	1,994.00
I-4208 Printer w/ Rewind/Peel/Present	45 lb	6778	2,153.00

Options

Datamax Peel/Present mechanism	1 lb	6779	245.00
--------------------------------	------	------	--------

Service Parts

PHD20-2181-01 printhead I4206 + I4208	1 lb	4139	595.00
PHD20-2278-01 printhead I4212	1 lb	5480	949.00

DATAMAX®



SSI-ICLASS-203Q

4206, 4208, 4212 Printer parts Datamax

Service parts only for 4206 4208 4212 printers

Part Number	Weight	Stock	List
SSI-ICLASS-203Q Print head for 42xx	1 lb	4139	\$ 595.00
PHD20-2278-01 Datamax printhead	1 lb	5480	751.00
DPR78-2902-01 display board	1 lb	3253	198.00
DPR32-2674-01 cable front panel	1 lb	3254	43.00



STP-103 Compact thermal printer

Light weight, compact thermal printer. Never needs a printer ribbon. Easy paper loading. Paper near end sensor. AC power adapter included. 3.9"W x 7.5"D x 3.5"H

Part Number	Weight	Stock	List
STP-103 Compact thermal printer	2 lb	7419	\$ 982.00

Options

80251931 Thermal paper	1 lb	7420	29.00
80252580 RS232 Cable & adapter, Voy/Exp	1 lb	7421	248.00
80252581 RS232 Cable & adapter, Disc/Pion/MB	1 lb	7422	248.00
80252583 RS232 Cable & adapter, CD Troop	1 lb	7423	248.00
80252584 RS232 Cable & adapter, CW/CKW/T	1 lb	7424	278.00
12120799 SF40A Roll Paper 2/pk	1 lb	5230	24.00
12120798 SF40A Ink ribbon	1 lb	5232	75.00
12122603 SF40A Cable kit Disc/MB/Pion/Troop	1 lb	5244	237.00
80500552 SF40A Cable kit CW/CKW/T	1 lb	5253	231.00
12120762 SF40A Power supply	1 lb	5287	44.00



80251992



SF40A - Impact Printer

Multi-language printing in 13 languages. Print speed is 1.2 lines per second. Status indicator, 40 characters per line, compatible with continuous label paper, perform zero and tare operations directly from printer. Date and time. Equipped with statistics and totalization modes that provide additional functionality that is of use to your weight determination and reporting process. RS232 with GLP/GMP data output can help meet traceability and compliance requirements. 12VDC, 2.5 A. 5.5"W x 8.7"D x 2.95"H.

Part Number	Weight	Stock	List
SF40A	2 lb	1754	\$ 1,273.00



SF40A

Prices are subject to change without notice. Please call for current prices.

Other items are available from the manufacturers, please call for quote.

13-01 Pollitt Dr Ext
Fair Lawn NJ 07410
201-797-2718

Totalcomp
Components

www.totalcomp.com
sales@totalcomp.com
Fax 201-797-2287

Printers



CBM-910II

CBM-910II Dot-matrix printer - Citizen

Palm size dot-matrix printer. RS232 input 4800, 9600 baud, 8 bits, 2 stop bits. Paper end sensor. Bit image graphics. 24 column print width at 5 lines per second. 2K bytes input buffer. 8 data bits. Dimensions, 4.2"H x 7.1"W x 3.5"D. 115VAC 50/60 Hz.

Part Number	Weight	Stock	List
CBM-910II Tape Printer w/power supply	5 lb	3417	\$ 350.00

Options

4' custom interface cable	1 lb	710	80.00
---------------------------	------	-----	-------

Service Parts

C-0843-3 Ink ribbon cartridge, purple	1 lb	3782	19.70
1 ply roll paper 2.25" wide, case of (50)	1 lb	3783	78.10



iDP-3550

iDP-3550 Roll paper tape printer - Citizen

Service parts only for iDP-3550 printer.

Part Number	Weight	Stock	List
Service Parts			
IR-61RB ink ribbon cartridge for iDP-3550	1 lb	130	\$ 14.00
1 ply roll paper 3"x3" wide	1 lb	2221	4.60

iDP-562 Service parts only Citizen

Service Parts only for iDP-562 printer.

Part Number	Weight	Stock	List
Service Parts			
6N721-6 ink ribbon cartridge for iDP-562	1 lb	690	\$ 16.90
P2.75-1 roll paper 2.75" wide	1 lb	691	3.50

TM-U220 Roll Paper Tape Printer - Epson

Dot matrix tape printer has friction feed drive and will print on paper 3" wide with max dia 3 1/4". Has 1K data buffer. Includes separate 120 VAC power supply to provide the smallest printer size. RS232 input, 4800, 9600 baud rates only, bidirectional printing, 40 columns at 13.4 CPI, character size 1.2 x 3.1mm, 6 lines/inch, 3.5 lines/sec. * Order DB25P input connector separately *. 120 VAC 50/60 Hz, 43 watts, 5 lb, 180 x 248 x 133mmH, 7" x 9.8" x 5.2"H.

Part Number	Weight	Stock	List
TM-U220 Tape Printer w/power supply	10 lb	2219	\$ 395.00

Options

DB-25P Input connector	1 lb	631	21.00
4 ft cable to indicator, assembled w/connector	1 lb	710	80.00
Additional serial cable per foot		711	1.50

TPC time & date printer controller (RS232 input)	5 lb	265	1,443.75
12 V battery converter to operator printer w/12 V battery	2 lb	2273	200.00

Service Parts

ERC-30 Ink ribbon cartridge for TM-U220 and SRP-270	1 lb	1839	17.10
Power supply 100-240VAC to 24VDC 2A for TM-U220 w/power cord	3 lb	5709	87.20
1 ply roll paper 3" x 3" dia	1 lb	2221	4.60
2 ply roll paper 3" x 3" dia	1 lb	2228	6.80

Service Parts for old Model TM-U200

Power supply 100-240VAC to 24VDC 2A for TM-U200 w/power cord	3 lb	2224	89.28
--	------	------	-------

Service Parts for old Model TRP265

ERC-23 Ink ribbon cartridge for TRP-265	1 lb	2220	16.90
---	------	------	-------



TM-U220

SRP-200 Roll paper tape printer - Samsung

Service parts only for SRP-200 printer

Part Number	Weight	Stock	List
-------------	--------	-------	------

Service Parts

Ink cartridge for SRP-200 printer	1 lb	4039	\$ 11.00
AC-1000A Power supply for SRP-200 series	3 lb	1707	43.00



SRP-200

Prices are subject to change without notice. Please call for current prices.

Other items are available from the manufacturers, please call for quote.

13-01 Pollitt Dr Ext
Fair Lawn NJ 07410
201-797-2718

 **Totalcomp**
Components

www.totalcomp.com
sales@totalcomp.com
Fax 201-797-2287



A&D WEIGHING DIVISION



AD-1192

AD-1192 Compact Printer

Compact, palm sized, light weight. High speed printing. Paper near end detection function. Balance and scale data. Weighing slips. Dot matrix printing method. Uses standard 2-1/4" paper. 1.8 lines/second print speed. 2.4mm high characters. Uni-directional printing. RS232C interface. Low power consumption. Wall mountable. Power cord included. Connecting cables not included. 4.2"W x 7.5"D x 3.5"H.

Part Number	Weight	Stock	List
AD-1192 Printer	2 lb	4833	\$ 540.00

Service Parts

WD-PP137 Roll paper pack of 5	1 lb	1596	16.00
AD-1192-1 Ribbon	3 lb	4834	32.00
AD-1192-2 Power cord	1 lb	4835	65.00
KO:1131 RS232 Cable, 25 pin to 25 pin	1 lb	221	47.00
KO: WW9-25 RS232 Interface cable	1 lb	6700	52.00
KO: WW25-7 RS232 Interface cable	1 lb	4837	53.00



A&D WEIGHING DIVISION



AD-8127

AD-8127 Multi Function Printer

The AD-8127 multi printer is compatible with and A&D electronic balance, scale, counting, moisture analyzer and/or weighing indicator. Use of dot matrix allows for records to be stored for long periods of time. Can be easily transported due to its light weight and compact size. With RS232 or current loop interface inputs. Built in clock display. The liquid crystal display provides easy conditions confirmation and settings of the printer. Weighing data can be printed without touching the balance by pressing the key switch. 6.85"W x 5.55"D x 3.42"H

Part Number	Weight	Stock	List
AD-8127 multi function printer	3 lb	202	\$ 1,010.00
AX-ERC-22B ink ribbon	1 lb	203	180.00



A&D WEIGHING DIVISION

AD-8115 Ticket Printer - Service Supplies

Service Parts for Model AD-8115 Ticket Printer

Part Number	Weight	Stock	List
ERC-03 Ink cartridge *	1 lb	42	\$ 15.40

* Also used in Sterling 1100



A&D WEIGHING DIVISION

AD-8118 & AD-1191 Printer - Service Supplies

Service Parts for Model AD-8118 AD-1191 Printer

Part Number	Weight	Stock	List
ET:ERC-P09 ink ribbon	1 lb	71	\$ 55.70

Prices are subject to change without notice. Please call for current prices.

Other items are available from the manufacturers, please call for quote.



A&D WEIGHING DIVISION

AD-8121 Multi-Function printer - A&D

Service parts only for AD-8121.

Part Number	Weight	Stock	List
Service Parts			
KO:1080-100 Current loop cable	1 lb	1989	60.00
WP:PP143 Roll paper, 2-5/8"dia x 1-3/4"wide, pack of 5 for AD-8121	2 lb	1990	13.00
ET:ERC-P05 Ink ribbon for AD-8121	1 lb	1991	20.00
TB:174 Adapter 120VAC-DC	1 lb	4611	43.00
PA:8121-0004 printer assy	0.16 lb	1974	282.00



AD-8121

182 Printer - Okidata

Service parts only for Okidata 182.

Part Number	Weight	Stock	List
Service Parts			
Ink cartridge for 182/192	1 lb	788	18.80
Print head for 182	1 lb	1638	175.00



182

Prices are subject to change without notice. Please call for current prices.

Other items are available from the manufacturers, please call for quote.

13-01 Pollitt Dr Ext
Fair Lawn NJ 07410
201-797-2718

Totalcomp
Components

www.totalcomp.com
sales@totalcomp.com
Fax 201-797-2287

Printers



S-667-P
Ink ribbon



694TM
Ink ribbon

250, 260 & 1200 Printers - Control Logic

Service parts only

Part Number	Weight	Stock	List
Service Parts for Model 250 Ticket Printer			
S-667-P ink ribbon, purple	1 lb	1613	\$ 22.35
Print/Tare switch assy w/connector	1 lb	1628	25.00
Switch alone, solder tabs	1 lb	1629	9.00

Service Parts for Model 260 Tape Printer

S-311 ink ribbon, black, 1 Red	1 lb	1631	12.10
Print/Tare switch alone, solder tabs	1 lb	1629	9.00
Roll paper tape, 3" wide, 1 ply, 3" diameter, case of (50)	1 lb	1633	97.70

Service Parts for Model 1200 Ticket Printer

S-667-P ink ribbon, purple	1 lb	1613	22.35
----------------------------	------	------	-------

Matrix II printers - Fargo

Service parts only.

Part Number	Description	Weight	Stock	List
694TM Ink ribbon	Matrix II ticket	1 lb	713	\$ 10.00
Also used in the following printers:				
Eaton 7000,7040	Fairbanks 152			
Electroscale 330, 331	Toledo 8805			

Printers

Ticket Printer - Toledo

Ink cartridge ribbon 115534300A for Toledo Printer Model 8806
7/16" x 12 yds purple matrix.

Part Number	Description	Weight	Stock	List
Old style				
C-0692 (255)	Ink ribbon	1 lb	724	\$ 37.60
Also used in the following printers:				
Cardinal	740	General	TP-110	
Eaton	4000	NCI	5787	
Fairbanks	50-3925	Weightronix	WA-220	
Flexweigh	DHP4000			

New style with plastic ribbon guides

C-0692-5 (257)	Ink ribbon	1 lb	704	46.80
----------------	------------	------	-----	-------

In an emergency, the new style ink ribbon cartridge can be used with the old style Toledo 8806 printer. The new style plastic guides can be removed by snapping them off. The new style ink ribbon without the guides is the same as the old style EC867 ink ribbon and will work with the old style Toledo 8806 printer.

Ink ribbons and cartridges for other makes and models of printers are available.



C-0692
Ink ribbon cartridge



C-0692-5
Ink ribbon cartridge

IDS150/IDS152 Ticket printer - Industrial Data Systems

Service parts only

Part Number	Description	Weight	Stock	List
Service Parts				
S-667-P	Ink ribbon, purple for IDS150/152 Ticket printer	1 lb	1613	\$ 22.35



S-667-P
Ink ribbon

Ticket Printer - Toledo

Ink cartridge ribbon for Toledo Printer Model 8857
7/16" x 12 yds purple matrix.

Part Number	Description	Weight	Stock	List
229B	Ink ribbon, black	1 lb	703	\$ 28.30



229B
Ink ribbon cartridge

Prices are subject to change without notice. Please call for current prices.

Other items are available from the manufacturers, please call for quote.

13-01 Pollitt Dr Ext
Fair Lawn NJ 07410
201-797-2718

Totalcomp
Components

www.totalcomp.com
sales@totalcomp.com
Fax 201-797-2287

381

J Box



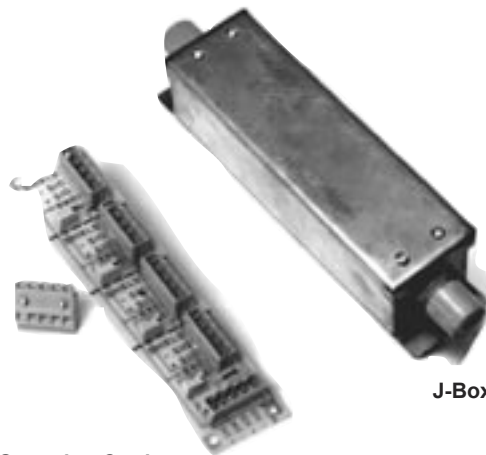
SJC-4

SJC-4 Card only with Excitation Trim

Circuit card is arranged for parallel summing of 2 to 4 load cells. Ideal for making corner sensitivity adjustments for scales. Convenient, lugless connections for load cell and read-out. Two pots provided for each load cell to minimize interaction between span trimming and zero shift. Separate terminal block for each cable. Internal connection of sense to excitation leads. Common shield connection provided for each cable. Low resistance (10 ohm), 20 turn pots for good resolution.

Size 3.5"W x 0.5"H x 4.5"L

Part Number	Weight	Stock	List
SJC-4 Summing card only	1 lb	461	\$ 176.00



J-Box

Summing Card

J-box with Excitation trim - UniBridge

Compact, **stainless steel** junction box with summing card. Box is 9.5"L x 2.5"W x 2.5"H. Card is 6.5"L x 1.5"W x 1.25"H. Up to four cells will be summed. Two cable strain reliefs.

Part Number	Weight	Stock	List
J-box w/summing card UniBridge	4 lb	998	\$ 660.00
J-box only w/o card UniBridge (1.8 lb)	3 lb	997	460.00
Summing card only (4 cell) UniBridge	1 lb	996	200.00



TJB61 9.5"L x 4.375"W x 1.5"H

TJB61 Summing box with Card - Totalcomp

Stainless steel enclosure. The 61 and 62 Summing Card is 1-3/8" x 5-3/4". It has four 5 position terminal strips for load cell inputs and one 7 position terminal strip with internally jumped sense terminals for output to the instrument. Terminal strips are screw operated cage clamp design or optional lever type design.

Trimming of signal output is accomplished with four 25 turn trim pots with an operating temperature range of -55 to +125 degrees C. The board will sum 2 to 4 load cells and can be mounted with the four 11/16" mounting holes provided with a spacing of 2-1/2 x 3-1/2" on center.

Part Number	Size	Weight	Stock	List
TJB61 Summing box w/ card	9.5"L x 4.375"W x 1.5"H	1 lb	4593	\$ 177.90
SS-Enclosure only for TJB61	9.5"L x 4.375"W x 1.5"H	1 lb	4592	135.72
TJB62 Summing box w/ card	7.75"L x 2.5"W x 1.75"H	1 lb	3578	191.90
SS-Enclosure only for TJB62	7.75"L x 2.5"W x 1.75"H	1 lb	3579	135.72
Circuit card only for TJB61/TJB62	5.75"L x 1.375"W x 0.5"H	1 lb	4591	63.36



TJB62 7.75"L x 2.5"W x 1.75"H

Prices are subject to change without notice. Please call for current prices.

Other items are available from the manufacturers, please call for quote.

Signal Trim Series 1200 Summing Junction Box

Stainless steel Nema 4 enclosure contains printed circuit card specifically designed to adjust each load cell span without effecting zero. One multiturn potentiometer per load cell shunts the output and two series output isolation resistors limit zero interaction. Terminal blocks are lever type that simplify wire connection. Strip the wire, push the lever, insert the wire and release the lever. Accepts wire size 26 to 14 AWG. One terminal block for each load cell and one terminal block for the indicator. Expansion terminal block is on models 1250, 1251 and 1260 for expansion to another summing box. Span adjustments is 3% for 350 ohm load cells; 5% for 700 ohm load cells. Corrosion proof nylon strain reliefs are provided for cable 0.197"-0.354" dia. Enclosure size is 6-1/2" x 8-3/8" x 1-3/4"H. Circuit card size is 4-7/8" x 6-3/4" x 5/8"H.

Section Adjustment

1251, 1260, 1280, 12100 circuit cards have section adjust pots for ease in scale calibration. First the two cells in each section are matched, then the sections are matched with the additional section pots. Both cells in a section should have load cells. If one load cell is not wired to a section, resistors should be connected that have an equivalent resistance.

Part Number	# Cells	Weight	Stock	List
Stainless Steel NEMA 4 enclosure w/summing card				
1250-4-SS	2 to 4	4 lb	1007	\$ 455.00
1251-4-SS	2 to 4	4 lb	1051	483.00
1260-6-SS	5 to 6	4 lb	1008	540.00
1280-8-SS	7 to 8	5 lb	1009	536.00
12100-10-SS	9 to 10	5 lb	2955	589.00

Summing card only

1250 Card only	2 to 4	1 lb	620	201.00
1251 Card only	2 to 4	1 lb	1049	227.00
1260 Card only	5 to 6	1 lb	622	254.00
1280 Card only	7 to 8	1 lb	624	281.00
12100 Card only	9 to 10	1 lb	667	367.00

Stainless Steel NEMA 4 enclosure w/summing card w/surge protection

1250-4-SS-SP	2 to 4	4 lb	4229	583.00
1251-4-SS-SP	2 to 4	4 lb	4230	577.00
1260-6-SS-SP	5 to 6	5 lb	4231	631.00
1280-8-SS-SP	7 to 8	5 lb	4232	705.00
12100-10-SS-SP	9 to 10	5 lb	4233	761.00

Summing card only w/surge protection

1250-SP Card only	2 to 4	1 lb	4234	322.00
1251-SP Card only	2 to 4	1 lb	4235	349.00
1260-SP Card only	5 to 6	1 lb	4236	409.00
1280-SP Card only	7 to 8	1 lb	4237	403.00
12100-SP Card only	9 to 10	1 lb	4238	475.00

Enclosure without card

1250B/1251B Enclosure only w/(5) strain reliefs	4 lb	1310	274.00
1260B Enclosure only w/(7) strain reliefs	4 lb	1313	294.00
1280B Enclosure only w/(9) strain reliefs	4 lb	1314	321.00
12100B Enclosure only w/(11) strain reliefs	5 lb	2956	353.00



1250 card only



1250-4-SS



1260 card only



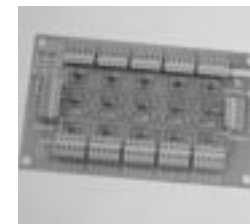
1260-6-SS



1280 card only



1280-8-SS



12100 card only



12100-10-SS

Surge Protection spare parts

For use with 1250-SP Surge protection summing cards and boxes.

Part Number	Weight	Stock	List
GT-B675L Lumex tube surge protector	1 lb	575	\$ 10.70



GT-B675L
Lumex Tube

Prices are subject to change without notice. Please call for current prices.

Other items are available from the manufacturers, please call for quote.

13-01 Pollitt Dr Ext
Fair Lawn NJ 07410
201-797-2718

Totalcomp
Components

www.totalcomp.com
sales@totalcomp.com
Fax 201-797-2287

383

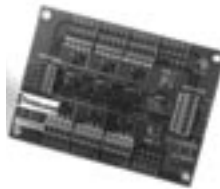
J Box



E250 card only



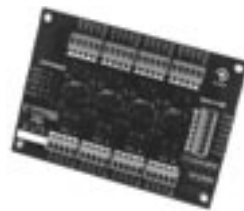
E250-4-SS



E260 card only



E260-6-SS



E280 card only



E280-8-SS



E2100 card only



E2100-10-SS

E200 Signal Trim Economy Summing Junction Box

For the application that is not extreme with high pressure washdown, and does not require a rugged box that has large cables and is not submerged in dirt, mud and water. This series of summing junction box will perform adequately at a reasonable price. NEMA 12 stainless steel enclosure contains a component card designed to adjust each load cell span without effecting zero. One potentionmeter per load cell shunts the output and two series output isolation resistors limit zero interaction. Section adjustment on E251, E260, E280, E2100 have potentiometers for ease in scale calibration. First the two cells in each section are matched and then the sections are matched with the additional section pots. Terminal blocks are screw type. One terminal block for each load cells and one for the indicator. Nylon strain reliefs for each load cell and indicator. Enclosure size 6-1/2" x 8-3/8" x 1-3/4"H. Card size 4-7/8" x 6-3/4" x 5/8"H.

Part Number	# Cells	Weight	Stock	List
Stainless Steel NEMA 4 enclosure w/summing card				
E250-4-SS	2 to 4	4 lb	7814	\$ 336.00
E251-4-SS	2 to 4	4 lb	7815	336.00
E260-6-SS	5 to 6	4 lb	7816	383.25
E280-8-SS	7 to 8	5 lb	7817	429.45
E2100-10-SS	9 to 10	5 lb	7818	525.00
Summing card only				
E250 Card only	2 to 4	1 lb	7819	169.75
E251 Card only	2 to 4	1 lb	7820	169.75
E260 Card only	5 to 6	1 lb	7821	218.30
E280 Card only	7 to 8	1 lb	7822	260.75
E2100 Card only	9 to 10	1 lb	7823	351.70
Stainless Steel NEMA 4 enclosure w/summing card w/surge protection				
E251-4-SS-SP	2 to 4	4 lb	7824	441.84
E260-6-SS-SP	5 to 6	5 lb	7825	531.58
E280-8-SS-SP	7 to 8	5 lb	7826	586.15
E2100-10-SS-SP	9 to 10	5 lb	7827	701.37
Summing card only w/surge protection				
E251-SP Card only	2 to 4	1 lb	7828	241.73
E260-SP Card only	5 to 6	1 lb	7829	289.03
E280-SP Card only	7 to 8	1 lb	7830	331.47
E2100-SP Card only	9 to 10	1 lb	7831	422.44
Enclosure without card				
E250B/1251B Enclosure only w/(5) strain reliefs		4 lb	7832	200.11
E260B Enclosure only w/(7) strain reliefs		4 lb	7833	242.55
E280B Enclosure only w/(9) strain reliefs		4 lb	7834	254.68
E2100B Enclosure only w/(11) strain reliefs		5 lb	7835	278.93

CSB-40 Compact Summing Junction Box

Compact junction box with Signal trim for 4 load cells. Signal trim has one multiturn potentiometer per load cell that shunts the output and two series output isolation resistors that limit zero interaction. Optional Excitation trim is available. Excitation trim has one potentiometer per load cell in the excitation circuit for adjusting the load cell input voltage. Terminal blocks are lever type that simplify wire connection. Strip the wire, push the lever, insert the wire and release the lever. Accepts wire size 26 to 14 AWG. Five nylon strain reliefs are included for load cells & instrument cables. Two screws that hold the cover have drilled heads for lead and wire sealing. **Stainless steel** NEMA 4 box and gasketed lid for corrosion resistance. The small size of this box makes it a good replacement for low profile warehouse scales. In many cases the box will fit under the platform.
7" x 4.625" x 1.75"h, 2 lb.

Part Number	Weight	Stock	List
CSB-40 w/Signal trim	3 lb	1787	\$ 265.65
CSB-40E w/Excitation trim	3 lb	2434	265.65
CSB Summing card only, signal trim	1 lb	1584	156.45
CSB-E Summing card only, Excitation trim	1 lb	285	156.45



CSB-40 Summing box



CSB Summing card only

Nikkei Summing Junction Box

Compact junction box with Signal trim for 4 load cells, plus external ground connectivity bolt. Signal trim has one multiturn potentiometer per load cell that shunts the output and two series output isolation resistors that limit zero interaction. Optional Excitation trim is available. Excitation trim has one potentiometer per load cell in the excitation circuit for adjusting the load cell input voltage. Terminal blocks are lever type that simplify wire connection. Strip the wire, push the lever, insert the wire and release the lever. Accepts wire size 26 to 14 AWG. Five nylon strain reliefs are included for load cells & instrument cables. Two screws that hold the cover have drilled heads for lead and wire sealing. **Stainless steel** NEMA 4 box and gasketed lid for corrosion resistance. The small size of this box makes it a good replacement for low profile warehouse scales. In many cases the box will fit under the platform.
7" x 4.625" x 1.75"h, 2 lb.

Part Number	Weight	Stock	List
NJB-4-SS w/ signal trim	2 lb	4839	\$ 271.68
NJBE-4-SS w/ exitation trim	2 lb	4840	271.68



NJB-4-SS



NJB-4-SS Summing Box w/ Internal view

Anyload Summing Box 12 cell

Stainless steel, 2-12 cell, excitation trim, section trim, 7.8" x 6.9" x 1.8"h, 3 lb.

Part Number	Weight	Stock	List
J12ES w/ signal trim, section trim	2 lb	1751	\$ 355.00



J12ES Summing box

Prices are subject to change without notice. Please call for current prices.

Other items are available from the manufacturers, please call for quote.

13-01 Pollitt Dr Ext
Fair Lawn NJ 07410
201-797-2718

Totalcomp
Components

www.totalcomp.com
sales@totalcomp.com
Fax 201-797-2287

385

J Box



Stainless Steel Junction Box

Coti Global Sensors MANUFACTURING

Weighing Products Worldwide

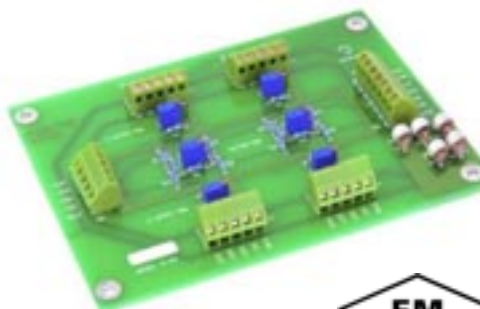
SS-34 / SS-45 Stainless Steel summing junction box

The load cell summing junction boxes are intrinsically safe for
 Class I, Division 1, Groups A-D
 Class I, Division 1, Groups C and D
 Class I, Zone 0, Group IIC
 Class I, Zone 0, Group IIB.
 34 is the standard unit
 45 has electrical surge protection
 S= signal trim
 E= Excitation trim

Part Number	Weight	Stock	List
SS-34AS	2 lb	8088	\$ 271.68
SS-34AE	2 lb	8089	271.68
SS-45AS	2 lb	8090	369.89
SS-45AE	2 lb	8091	369.89



SS-34AS
4 Cell Signal Trim



SS-45AS
4 Cell Section Signal Trim



JB-FI Junction Box - Transcell

Load cell summing junction box for up to 4 load cells. ABS enclosure, Signal trim.
 6" x 4" x 2".

Part Number	Weight	Stock	List
JB-FI W/PG7	2 lb	6647	\$ 128.00



JB-FI W/PG7

AJB Junction Box - Transcell

Load cell summing junction box for up to 4 load cells. Stainless steel enclosure, Signal trim. 6" x 4" x 2".

Part Number	Weight	Stock	List
AJB-015 junction box	1 lb	6658	\$ 258.00



AJB-015 junction box

Prices are subject to change without notice. Please call for current prices.

Other items are available from the manufacturers, please call for quote.

IDS950 Stainless Steel Compact Summing Junction Box

Stainless steel summing box with signal trim card inside replacement summing box for LP7620 floor scale summing box. Box is rubber gasketed for corrosion resistance. Summing Junction Box size: 6"L x 4.5"W x 1.375"H with screw terminals. 4 x 10 turn potentiometers for load cell adjustments. 4 slotted mounting holes.

Part Number	Weight	Stock	List
IDS950-4 Summing Junction Box	1 lb	3942	\$ 100.00



IDS950-4
Signal Trim Card



IDS950-4
Summing box

VKK1 HBM junction box

HBM's VKK1-4/VKK1R-4 junction box enables the parallel connection of up to four load cells in a 6-wire circuit. HBM's shielding design provides EMC-proofing under EN 45 501. The terminal boxes also allow the screen to be connected conventionally by means of the screen strands. Corner balancing via integrated resistor network Protection class IP65 acc. to EN60529 VKK1R-4 with stainless housing.

Part Number	Weight	Stock	List
VKK1-4A Junction Box 2-4 Cells	1 lb	916	\$ 344.00



VKK1

49731-0052 Weigh-Tronix summing box

Summing card for 4 load cells with potentiometers..

Part Number	Weight	Stock	List
49731-0052 Summing board 4 cells w/potentiometers	1 lb	1005	\$ 357.14



49731-0052
4 cell w/pot

Fairbanks Sectional Controller

Smart sectional controller. Multiplex and digitizing two analog load cells onto a multi-drop RS-485 bus. Each cell is provided with 6.3 VDC excitation voltage. the output is connected to its own load cell input circuit that contains a separate gain stage and analog filter circuits. The filtered outputs are multiplexed into the input of a 24 bit A/D converter that is monitored by a micro-processor, which controls the multiplex. applies additional signal processing such as digital filtering. The processed load cell signals are then available on the RS-485 bus via a special protocol.

Part Number	Weight	Stock	List
26168 Smart Sectional Controller	4 lb	4112	\$ 641.00



Smart Sectional
Controller

Prices are subject to change without notice. Please call for current prices.

Other items are available from the manufacturers, please call for quote.

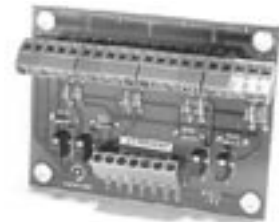
J Box



GS-JB-4-SS



GS-JB-4-FRP



GS-SC card only



DS-JB-4-SS



JB4SS



GS-JB compact summing junction box - General Sensor

Extremely small junction boxes with Signal trim for 4 load cells. One multiturn potentiometer per load cell that shunts the output and two series output isolation resistors that limit zero interaction. Screw terminals simplify wire connection. Accepts wire size 26 to 14 AWG. Five nylon strain reliefs are included for load cells & instrument cables. Both boxes are NEMA 4X and gasketed for corrosion resistance. The GS-JB-4-SS is made of stainless steel and the GS-JB-4-FRP is made of fiberglass reinforced plastic. The small size of these boxes make them a good replacement for low profile warehouse scales. In many cases the box will fit under the platform. 7" x 4.625" x 1.75"h.

Part Number	Weight	Stock	List
Signal trim			
GS-JB-4-SS stainless steel	3 lb	4013	\$ 270.90
GS-JB-4-FRP fiberglass reinforced plastic	1 lb	4014	193.20
Excitation trim			
GS-JB-4-E-SS stainless steel	3 lb	4790	270.90
GS-JB-4-E-FRP fiberglass reinforced plastic	1 lb	4791	193.20
Summing card only			
GS-SC Sum card only, 4 channel, signal trim	1 lb	4015	102.90
GS-SC-E Sum card only, 4 channel, excitation trim	1 lb	635	100.80
Enclosure without card			
GS-JB-SS Enclosure only	1 lb	4047	224.70

DS-JB compact summing junction box - Diamond

Extremely small stainless steel junction boxes with Signal trim for 4 load cells. One multi-turn potentiometer per load cell that shunts the output and two series output isolation resistors that limit zero interaction. Screw terminals simplify wire connection. Accepts wire size 26 to 14 AWG. Five nylon strain reliefs are included for load cells & instrument cables. The small size of these boxes make them a good replacement for low profile warehouse scales. In many cases the box will fit under the platform. 7" x 5.5" x 1.25"h.

Part Number	Weight	Stock	List
Signal trim			
DS-JB-4-E-SS stainless steel	3 lb	32	\$ 100.00

JB4SS summing box - Rice Lake

Stainless steel, 4 channel, signal trim with expansion, W/PG7 cord grips for load cells. Nema 4X, FM approved. 5.75" x 4.00" x 1.60"h.

Part Number	Weight	Stock	Price
Signal trim			
JB4SS	2 lb	530	\$ 346.00

Prices are subject to change without notice. Please call for current prices.

Other items are available from the manufacturers, please call for quote.

Strain reliefs

Used to connect load cell cable to summing junction boxes or instrument enclosure. 1/2" hub size for 7/8" dia hole. Aluminum with rubber cable bushing, "O" ring gasket and lock-nut. Connector is installed with "O" ring gasket on outside of box for watertight fit. Lock nut holds from inside. Knurled collar compresses bushing around cable for watertight fit and relief of strain on cable inside box.

Part Number	Cable Diameter	Weight	Stock	List
CG-1250	0.125"-0.187"	1 lb	625	\$ 9.10
CG-1850	0.187"-0.312"	1 lb	626	9.10
CG-3150	0.312"-0.437"	1 lb	627	9.10



Corrosion proof strain reliefs

Nylon strain relief with neoprene gland resists salt water, weak acids, gasoline, alcohol, oil, grease and common solvents. 1/2" hub size for 7/8" dia. hole. Sealing washer and lock nut.

Part Number	Cable Diameter	Weight	Stock	List
3231	0.170"-0.470"	1 lb	1010	\$ 7.10

Service Parts

Sealing Washer 1/2"	1 lb	1170	1.50
Lock Nut 1/2" electrical	1 lb	1171	0.50



Hole plug

Seals unused 7/8" dia. holes in summing junction box or instrument enclosure. Cover disk is gasketed with internal washer and wing nut for tight seal.

Part Number	Weight	Stock	List
AS050 epoxy painted steel	1 lb	194	\$ 17.00
AS050SS stainless steel	1 lb	414	43.40



Conduit adapter

Mount on the cable fitting on Sensortronics Tank Mount and Truck load cells. The external 1/2" NPT will connect to standard conduit and adapters.

Part Number	Weight	Stock	List
30006-A Small conduit adapter	1 lb	348	\$ 22.00



International Wire Transfers

Beneficiary Bank ConnectOne Bank
Beneficiary Bank Address 301 Sylvan Ave Englewood Cliffs NJ 07632
Beneficiary Bank Swift # CENOUS33

Beneficiary Name Totalcomp Inc
Beneficiary Address 13-01 Pollitt Dr Ext Fair Lawn NJ 07410
Beneficiary Customer # xxxxxxxxxxx

Please contact us for Beneficiary Customer Account #.

Domestic ACH (Automated Clearing House)

Bank Name ConnectOne Bank
Bank Address 301 Sylvan Ave Englewood Cliffs NJ
07632Bank ABA # 021213944

Beneficiary Name Totalcomp Inc
Beneficiary Address 13-01 Pollitt Dr Ext Fair Lawn NJ 07410
Beneficiary Account # xxxxxxxxxxx

Please contact us for Beneficiary Customer Account #.

Tarjetas de Crédito

El despacho se hará el mismo día

Solo aceptamos VISA y MASTERCARD

Nota: Proveer siempre el número de cuenta y la Fecha de Vencimiento.

Estimado cliente tener en cuenta que: Mastercard y Visa cobran el 3.15% mas \$1.15 por transacción. Estos costos serán agregados a su factura.

Con Cheque

Cheque de banco de USA o Money Order.

Despachamos cuando el cheque arribe a nuestras oficinas. Por ejemplo si lo envían por servicio courier como DHL o FedEx, el cheque llegaría en 2 ó 3 días a Totalcomp.

Cheque a nombre de: Totalcomp, Inc.

Enviarlo a: Totalcomp Inc
13-01 Pollitt Dr Ext
Fair Lawn NJ 07410
USA

Cheque por fax/email

Agilizan sus ordenes de compras

En Totalcomp ahora tenemos el nuevo sistema de cheques por fax que permitira el despacho de los productos el mismo día. Tambien agiliza los pagos de facturas vencidas, y ahorra gastos de transferencia y de courier cuando envían un cheque a nuestras oficinas.

¿Como trabaja?

Ustedes consiguen un cheque de un banco local con nexos bancarios Norteamericanos en Dólares Americanos y lo envían vía fax a Totalcomp, con una autorización firmada por el dueño de la cuenta que diga lo siguiente:

Este cheque autoriza cargar a nuestra cuenta la suma de \$_____

Una vez que lo tengamos tomaremos el número de cuenta del cheque, el número de tránsito y el número MICR que identifica el banco original. Luego imprimimos un cheque con esos datos y lo depositamos normalmente. Esta transaccion es completamente legal y es permitida en los Estados Unidos.

Una vez que tengamos el cheque por fax podremos despachar el mismo día. Ustedes se ahorran los gastos de DHL, FEDEX, transferencia, o cargos del 2.8% cuando pagan con Visa o MasterCard.

Terms

Your choice of payment.

1. Check or money order with order.
2. Net 30 days for approved credit customers. If you desire a Total-comp charge account, simply request a credit application with your next order (or at any time) and we will ship your order when your credit is approved.
3. C.O.D. will be delivered by UPS or Federal Express. They will collect total charges which will include merchandise, freight and handling.

Prices are FOB Fair Lawn, New Jersey or FOB Factory and are subject to change without notice. Orders will be filled with prices in effect at the date of shipment.
 Minimum order is \$20.00 excluding shipping charges.

Stock

Your components will be shipped within 24 hours from when we receive your order.
 We normally carry an ample supply of every item on our stock shelf. It is very infrequent that our supply is depleted to zero due to unusual requests from our other customers.

Shipping

- U.P.S. Your order will be shipped U.P.S. whenever possible, unless you request a different method of shipment. Maximum 150 lbs per carton.
- U.P.S. 2nd day air Air freight via U.P.S. It is a guaranteed 2-day delivery not including Saturday or Sunday.
- U.P.S. Next day air Air freight via U.P.S. It is a guaranteed 1-day delivery not including Sunday.
- R.P.S. Roadway Parcel Service is similar to UPS with a maximum weight of 150 per carton.
- Express mail Air freight via U.S. Postal Service. Guaranteed next day delivery not including Sunday.
- Air Freight Air freight via Federal Express, Emery Express, AirBorne and other independent air cargo service. Normally next day service. Extra cost for Saturday delivery. No Sunday deliveries.
- Truck When shipping load cells and other parts by truck specify shipping class as SCALES NOI CLASS 85.

Warranty

Your Customer Warranty is the standard manufacturer's warranty, which is normally 1 year from date of shipment.

No prior return authorization is required.

Return to us the defective items. Enclose a note with the model number, serial number, invoice number and date of purchase and a brief description of defect.

Defective part will be forwarded to the manufacturer for evaluation. Customer will be advised of the status.

No credit will be issued unless offered by the manufacturer.

Return Policy

All merchandise must be authorized prior to return. No return will be accepted without a **Return Authorization Number**, except for warranties.

If the wrong part was ordered:

1. A 20% restocking charge plus shipping charges will apply.
2. The merchandise being returned must be returned within 2 weeks of original shipping date.
3. The Merchandise being returned must be unused and received in new condition. If merchandise appears to have been used or received in poor or damaged condition, a refurbishing charge will be applied before credit is given.

If the wrong part was shipped:

1. The correct merchandise will be shipped at once.
2. Full credit will be issued upon return of incorrect merchandise.

Damaged in Shipment

Merchandise that has been damaged in shipment must be reported to the freight carrier immediately.

Do not return the merchandise until after the freight carrier has inspected the damage. Keep all the original packaging material for the inspection. The freight carrier will not honor a claim for damage if the merchandise is not as you received it.

After the freight carrier has inspected the damage and has given us approval, we will give you a **Return Authorization Number**.

Email

- sales@totalcomp.com
- purchasing@totalcomp.com
- accountspayable@totalcomp.com
- accountsreceivable@totalcomp.com

Index

1260S 159
1263 161
1280 383
1320 161
1410 206
1510 163
1605 116
1605-SS 117, 118, 119, 125
17257 97
181-4EM 15
185B 255
190 256
190DC 256
1930-B363-QA 315
200 257
201 357
20210 35
204 258
205 259
210 260
210FE 261
220 21
2200n 268
225 262
232CL4 368
240 208
2500U-22 237
260 209
26168 Smart Sectional Controller 387
263D 41
300 95
30210 84
30310 85
30410 86
308A-4-CP 298
3410 66
3411 66
3420 67
3421 67
350 272
350A 94
350I 95
350N 94
3510 68
355 68
363 41
363TSM1 114
41035 97
4206 374
4208 374
4212 374
4300M 269
460 273, 356
462 195
4800SA 354
499050-00 13
499051-02 13
5102 63
5103 126
5123 62
5223 140
535AHM2 213
563YH 83
57-30500 297
5723 65
5825 142
60001 42
60030 55
60036 44
60040 55
60048 180
60050 43
60051 180
60060 181
60063 47
614 46
620 48
6400 216
65016 116
65016-WH-SS 118
65016W-SS 117
65023 52
65023-SS 53
65040 146
65058 142
65058S 147
65059 110
65061 147
65083 54
65083S 54, 55
65088 4
65114 23
660 273
665 273
7000 218
7000XLM 271
70210 130
72-N1 298
7400 282
7400M 270
7500 283
7600 285
7600E 284
792 7
80210 131
80310 133
808AH 359
8100IS 344
9010 205
90310 4
9101 111
9103 127
9123 62
920i 292
9323 141
9363 40
9423 141
9523 64

A

A&D, AD-1191 378
A&D, AD-1192 378
A&D, AD-4321 253
A&D, AD-4322A 246
A&D, AD-4323 245
A&D, AD-4325A 253
A&D, AD-4328 247
A&D, AD-4329A 248
A&D, AD-4401 249
A&D, AD-4402 250
A&D, AD-4405A 251
A&D, AD-4406 251
A&D, AD-4407 252
A&D, AD-5000 254
A&D, AD-8115 378
A&D, AD-8118 378
A&D, AD-8121 379
A&D, AD-8127 378
A&D, AD-8920 362
A&D, FS-D 244
A23907 15
ACB 63
AD-1191 378
AD-1192 378
AD-4321 253
AD-4322A 246
AD-4324 245
AD-4325A 253
AD-4328 247
AD-4329A 248
AD-4401A 249
AD-4402 250
AD-4405A 251
AD-4406 251
AD-4407 252
AD-5000 254
AD-8115 378
AD-8118 378
AD-8121 379
AD-8127 378
AD-8920 362
AD103C 355
AED 9101D 355
AG 198, 207
AH 198
AK 199
Alleyway 237
Alpha 101
Analog to Digital Converter 353
Analytical Weight Sets 340
Anyload, 106MS 210
Anyload, 106TS 20
Anyload, 363TSM1 114
Anyload, 535AHM2 213
Anyload, 563YH 83
Anyload, 808AH 359
Anyload, Fat Foot module 210
Anyload, Summing Box 385
AP 199
APLSG 350
AQ 200
Argox, Direct Thermal Printer 363
Armor Braid 299
Artech, 20210 35
Artech, 30210 84
Artech, 30310 85
Artech, 30410 86
Artech, 70210 130
Artech, 80210 131

Prices are subject to change without notice. Please call for current prices.

Other items are available from the manufacturers, please call for prices.

Artech, 80310 133
 Artech, 90310 4
 Artech, Compression Mount 14
 Artech, SS30310 85
 Artech, SS30510 86
 Artech, SS80310 131
 Artech, WM-III 132
 ASC 23
 Atlas column 215
 Aurora 360
 Avery, ZM303 276

B

B24746 15
 B35 72
 B6E 201
 B6G 201
 B6N 202
 B8D 77
 Balance Calibration Weights 337, 338, 339
 Ball & Socket 107
 Ball Cup or Cone 307
 Bar Code 363, 364, 365, 366, 367, 368
 Base 214, 215, 216, 217, 218, 219, 220, 221, 222, 223, 224, 225, 226, 227, 228, 229
 BBS 69
 BCA 182
 BCM 182
 BE40 136
 Beam 52, 53, 54, 55, 56, 57, 58, 59, 60, 61, 62, 63, 64, 65, 66, 67, 68, 69, 70, 71, 72, 73, 74, 75, 76, 77, 78, 79, 80, 81, 82, 83, 84, 85, 86, 87, 88, 89, 90, 91, 92, 93, 94, 95, 96, 97, 98, 99, 100, 101, 102, 103, 104
 Beam feet 312, 313, 314
 BLC 71
 BLH Nobel, HTZ 212
 BLH, Alpha 101
 BLH, C2P1 5
 BLH, C3P1 5
 BLH, DXP-40 355
 BLH, HTK 101
 BLH, KIS-1 102
 BLH, KIS-2 103
 BLH, KIS-3 104
 BLH, Load Cell Cable 298
 BLH, T2P1 25
 BLH, T3P1 25
 BLH, Z-BLOK 104
 BM14G 19
 BM6A 203
 Bolts 311
 Bonding Braid 320
 Brass Mass 342
 Brecknell, SBI-505 274
 Bridgesensor 357
 BSA 91
 BSP 45
 BSS 47

C

C16 10

C2 13
 C2G1 196
 C2P1 5
 C3P1 5
 Cable 296, 297, 298, 299
 Callex, 460 356
 Callex, summing transmitter 354
 Canister 2, 3, 4, 5, 6, 7, 8, 9, 10, 11, 12, 13, 14, 15, 16, 17, 18, 19, 20, 21, 22, 23, 24, 25, 26, 27, 28, 29
 Cardinal, 185B 255
 Cardinal, 190 256
 Cardinal, 190DC 256
 Cardinal, 200 257
 Cardinal, 201 357
 Cardinal, 204 258
 Cardinal, 205 259
 Cardinal, 210 260
 Cardinal, 210FE 261
 Cardinal, 225 262
 Cardinal, Beam foot Assembly 315
 Cardinal, CB6 93
 Cardinal, DB-50000 137
 Cardinal, LFB 92
 Cardinal, SB 92
 Cardinal, SP-L 189
 Cardinal, SP-LM 188
 Cardinal, TB 93
 Cardinal, TSSP 189
 Cas, BCA 182
 Cas, BCM 182
 Cas, BSA 91
 Cas, CI-200 264
 Cas, CI-2001 263
 Cas, SBA 49
 Cas, X320 265
 Cast Iron Test Weights 330, 331
 CB 50
 CB17 196
 CB6 93
 CBBF 312
 CBM-910II 376
 Celtron, DSR 124
 Celtron, DSR-HSS 125
 Celtron, LCD 9
 Celtron, LPS 183
 Celtron, SQB-H 48
 CFS 98
 CG-1250 389
 CG-22 184
 CG-26S1 10
 CG-26S7 19
 CG-50-1 186
 CG-5223 135
 CG-58 135
 CG-94 16
 CG-DB 134
 CG-FB 185
 CG-FLS 185
 CG-JRT 14
 CG-RTM 108
 CG-SPL 187
 CG-SPLM 186
 CG-SSW 119

CG-STR 134
 CG-STR1 136
 CG-WB 100
 CG-WBL-SS 99
 CG262 20
 CG26S 17
 CG26S3 17
 CI-2001 263
 CI-200A 264
 Citizen, CBM-910II 376
 Citizen, iDP-3550 376
 Citizen, iDP-562 376
 Clevis 302
 Clevis-Stainless steel 302
 CMB-910 369
 CNcell, PA6140 91
 Condec, UMC555 266
 Condec, UMC600 266
 Condec, UMC600IS 346
 Conduit adapter 389
 Connecting Links 303
 Connectors 296, 297
 Coti Global, BE40 136
 Coti Global, CG-16-SSW 119
 Coti Global, CG-22 184
 Coti Global, CG-26S7 19
 Coti Global, CG-50-1 186
 Coti Global, CG-5223 135
 Coti Global, CG-58 135
 Coti Global, CG-94 16
 Coti Global, CG-DB 134
 Coti Global, CG-FB 185
 Coti Global, CG-FLS 185
 Coti Global, CG-JRT 14
 Coti Global, CG-RTM 108
 Coti Global, CG-SPL 187
 Coti Global, CG-STR 134
 Coti Global, CG-STR1 136
 Coti Global, CG-WB-SS 100
 Coti Global, CG-WBL-SS 99
 Coti Global, CG26S 17
 Coti Global, CG26S1 10
 Coti Global, CG26S2 20
 Coti Global, CG26S3 17
 Coti Global, SS-334/45 386
 CP 2
 CSB-40 385
 CSP 2

D

D 219
 D1250 183
 Datamax, DPT 373
 Datamax, I-4208 374
 Datamax, M-Class Mark II 373
 DB 137
 DB-25P 297
 DBF 314
 DC16 22
 Diamond, BLC 76
 Diamond, D1250 183
 Diamond, DC16 22
 Diamond, DS 37

Index

Diamond, DS-JB 388
Diamond, DS-SS 36
Diamond, DSB 74
Diamond, DSB-M 74
Diamond, DSB-SSH 75
Diamond, DSB-SSP 75
DMS 214
DMX-M-4206 373
Doran, 2200 268
Doran, 4300M 269
Doran, 7000XL 271
Doran, 7400M 270
Doran, 8100IS 344
Doran, Atlas Column 215
Doran, DMS 214
Doran, DS100 267
Doran, DSS 214
Doran, DXL7000 215
DS 37
DS-JB-4-E-SS 388
DS-SS 36
DS100 267
DSB 74
DSB-M 74
DSB-SSH 75
DSB-SSP 75
DSR 124
DSR-HSS 125
DSS 214
DT2x 364
DXL 215
DXP-40 355

E

E250 384
EBF 312
Eltron, LP-2022 365
EM2025 320
Emery, Diaphragm Kit 15
Emery, Totalizer 15
EP 200
Epelsa, STR 138
Epson, TM-U220 377
Epson, TM-U295 371
Epson, TM-U590 371
Explosion Proof Junction Box 347
Eye Bolts 303
Eyes Nuts 301
EZII 140
EZMI 127, 129, 130

F

F60X 96
Fairbanks Foot Assembly 314
Fairbanks, 9101 111
Fairbanks, FB2250 275
Fairbanks, Parts 275
Fairbanks, Sectional Controller 387
FASB 194
Fat foot module 210
FAV 194
FB2250 275

Flintec, PB 90
Flintec, PC1 190
Flintec, PC30 191
Flintec, PC46 192
Flintec, PC6 190
Flintec, PC7 191
Flintec, PCB 193
Flintec, RC1 18
Flintec, RC3 28
Flintec, SB14 89
Flintec, SB4 88
Flintec, SB5 88
Flintec, SB6 90
Flintec, SB8 87
Flintec, SLB 89
Flintec, UB1 46
Flintec, UB6 45
Floor Scale Kit 231, 232, 233
Fluid Damped 205, 206, 207, 208, 209
Foot cell 210
Foot Retainer 309
Forged Shackles 306
FormasDePago 390
FS-D 244

G

GB743 78
GB745 59
GBH35 79
GC2G1 169
GC2L1 169
GDE03 129
GDE16 122
GDE16-SSW 123
GDE23 139
General Sensor, GB743 78
General Sensor, GBH35 79
General Sensor, GC2G1 169
General Sensor, GC2L1 169
General Sensor, GDE03 129
General Sensor, GDE16 122
General Sensor, GDE16-SSW 123
General Sensor, GDE23 139
General Sensor, GF-11 21
General Sensor, GPWS 170
General Sensor, GS 34
General Sensor, GS-FLS 170
General Sensor, GS-JB 388
General Sensor, GS-SS 34
General Sensor, GS1022 164
General Sensor, GS1022-SS 164
General Sensor, GS1042 165
General Sensor, GS1042-SS 165
General Sensor, GS1130 167
General Sensor, GS1240-SS 166
General Sensor, GS1241 166
General Sensor, GS1250 168
General Sensor, GS1260 168
General Sensor, GSB 78
General Sensor, GSE 79
General Sensor, GSFK 233
General Sensor, LPD 9
GF-11 21

GK420D 366
Godex, Direct Thermal Printer 364
Godex, ZX1300i 370
GPWS 170
Ground Strap 320
Group Four, CB 50
Group Four, SB 50
GS 34
GS-FLS 170
GS-JB-4 388
GS-SS 34
GS1022 164
GS1022-SS 164
GS1042 165
GS1130-SS 167
GS1240-SS 166
GS1241 166
GS1250 168
GS1260 168
GSB 78
GSE 79
GSE-350 346
GSE-560 272
GSE, 350 272
GSE, 350-IS 346
GSE, 460 273
GSE, 560 272
GSE, 660 273
GSE, 665 273
GSFK 233
GX420D 366

H

H35 69
H3G 51
H8C 77
H8C-C3-500KG-4B-SC 76
Hazardous 297, 344, 345, 346, 347, 348
Hazardous Blue Jacket Cable 297
Hazardous Floor Base 348
HBM, AD103C 355
HBM, B35 72
HBM, BBS 69
HBM, BLC 71
HBM, C16 10
HBM, C2 13
HBM, H35 69
HBM, HLC-A1 70
HBM, HLC-B1 70
HBM, Junction Box 387
HBM, PLC 179
HBM, PW10 173
HBM, PW12 173
HBM, PW15 174, 175
HBM, PW22 177
HBM, PW27 176
HBM, PW2C 171
HBM, PW2D 171
HBM, PW4 172
HBM, PW6 172
HBM, PWS 179
HBM, RSC 30
HBM, RSCC3 31

HBM, RTM 109
 HBM, RTN 12
 HBM, RTNC3 12
 HBM, S35 31
 HBM, SP4 178
 HBM, SP4 metric 178
 HBM, U2A 28
 HBM, WE2107 277
 HBM, Z6 73
 HLC-A1 70
 HLC-B1 70
 Hole plug 389
 HPS 195
 HTK 101
 HTZ 212

I

I-4208 374
 iDP-3550 376
 iDP-562 376
 IDS, IDS410 278
 IDS, IDS422 278
 IDS, IDS430 279
 IDS430 279
 IDS608 82
 IDS950-4 387
 Indicators 238, 239, 240, 241, 242, 243, 244, 245, 246, 247, 248, 249, 250, 251, 252, 253, 254, 255, 256, 257, 258, 259, 260, 261, 262, 263, 264, 265, 266, 267, 268, 269, 270, 271, 272, 273, 274, 275, 276, 277, 278, 279, 280, 281, 282, 283, 284, 285, 286, 287, 288, 289, 290, 291, 292, 293, 294
 Insulated tension 300
 Intercomp, SA2000 361
 Intrinsically Safe 345
 Intrinsic Safety Barrier 347

J

J Box 382, 383, 384, 385, 386, 387, 388, 389
 J12ES 385
 Jam Nuts 310
 Jam Nuts, Stainless steel 310
 JB-FI 386
 JB4SS 388
 Junction Box 385

K

KIS-1 102
 KIS-2 103
 KIS-3 104
 KOSD 211

L

L6E 202
 L6G 203
 LCD 9
 LCP 319
 Lead Security Seals 317
 LFB 92
 LFR 314

Line Conditioner 320
 Livestock Kit 236, 237
 Load Button 307
 Load Cell Cable 299
 Load cell insulators 305
 Load Cup 307
 Load Pins 211, 212, 213
 Lodec, truck load cell 143
 LP2022 365
 LPD 9
 LPS 183

M

M6900 217
 Marking pliers 316
 Metric Gram Mass Sets 341
 moisture 318
 Mount for 5103 126, 128
 Mounting 300, 301, 302, 303, 304, 305, 306, 307, 308, 309, 310, 311, 312, 313, 314, 315
 Mounting plate 308
 MP 237
 MS3101A 296
 MS3102A 296
 MS3106A 296
 MTL-7700 347
 MW2001 294

N

NBB 81
 NBF 314
 Nikkei, NBB-SS 81
 Nikkei, NS 39
 Nikkei, NS-SS 38
 Nikkei, NSB 80
 Nikkei, NSB-SS 80
 Nikkei, NSSB 81
 Nikkei, NWB 82
 NJB-4-SS 385
 NM-44B 298
 NMB, C2G1 196
 NMB, CB17 196
 NMB, U2D1 197
 NS 39
 NS-7 243
 NS-SS 38
 NSB 80
 NSB-SS 80
 NSSB 81
 NVLAP Certificate 328, 329
 NWB 82

O

Ohaus, 3000 281
 Ohaus, CBM-910 369
 Ohaus, Defender 219
 Ohaus, SF40A 375
 Ohaus, STP-103 375
 Ohaus, T31P 281
 Ohaus, T32XW 281
 Okidata, 186 379
 OS-213OD 363

Ovation 367
 Ovation, Label Printer 367

P

PA6140 91
 PB 90
 PC1 190
 PC30 191
 PC46 192
 PC6 190
 PC7 191
 PCB 193
 Pennsylvania, 6400 216
 Pennsylvania, 6900 217
 Pennsylvania, 7000 218
 Pennsylvania, 7400 282
 Pennsylvania, 7500 283
 Pennsylvania, 7600 285
 Pennsylvania, 7600E 284
 PLC 179
 poly & wire seal 316
 Portable Base 230
 Power 319, 320
 Power Supplies 349
 power supply cord 319
 Precision Analytical Weights 340
 Printers 369, 370, 371, 372, 373, 374, 375, 376, 377, 378, 379, 380, 381
 Process 349, 350, 351, 352, 353, 354, 355, 356, 357
 Process control 350
 PS-2010T 351
 PUE 293
 Pushbutton Station 349
 PW10 173
 PW12 173
 PW15 174, 175
 PW22 177, 179
 PW27 176
 PW2C 171
 PW2D 171
 PW4 172
 PW6 172
 PWS 179

Q

Quick link 306
 Quicksilver 345

R

Radwag, PUE 293
 RBF 314
 RC1 18
 RC3 28
 Remote 358, 359, 360, 361, 362
 Revere Transducers, 263D 41
 Revere Transducers, RLC 115
 Revere Transducers, USP1 24
 Revere, 363 41
 Revere, 462 195
 Revere, 5102 63
 Revere, 5103 126, 128

Index

Revere, 5123 62
Revere, 5223 140
Revere, 5723 65
Revere, 792 7
Revere, 9103 127
Revere, 9123 62
Revere, 9323 141
Revere, 9363 40
Revere, 9423 141
Revere, 9523 64
Revere, ACB 63
Revere, ASC 23
Revere, BSP 45
Revere, CP 2
Revere, CSP 2
Revere, EZII 140
Revere, EZMI 127, 129, 130
Revere, HPS 195
Revere, RLC 115
Revere, SHB 65
Revere, SSB 64
RF 287
Rhino, CFS 98
Rice Lake, 920i 292
Rice Lake, JB4SS 388
Rice Lake, RLPCBC-60 200
RL-480 292
RLC 115
RLPCBC-60 200
Rod Ends 300
RSCC3 31
RTM 109
RTNC3 12
Rubber-Bumper 315

S

S Type 30, 31, 32, 33, 34, 35, 36, 37, 38, 39, 40, 41, 42, 43, 44, 45, 46, 47, 48, 49, 50, 51
S3 236
S35 31
SA2000 361
Samsung, SRP-270 377
SB 50, 92
SB14 89
SB4 88
SB5 88
SB6 90
SB8 87
SBA 49
SBF 313
SBI-505 274
SBS 83
Scaime, AG 198, 207
Scaime, AH 198
Scaime, AK 199
Scaime, AP 199
Scaime, AQ 200
Scaime, CPJ 352
Scaime, EP 200
Scaime, F60X 96
Scaime, Stabiflex 111
Scale foot 312
Scotchcast, Splicing kit 298

SDS, IDS608 82
seal press 317
Security Seals 316, 317
Sensortronics, 1605 116
Sensortronics, 1605-SS 117, 118, 119, 125
Sensortronics, 60001 42
Sensortronics, 60030 55
Sensortronics, 60036 44
Sensortronics, 60040 55
Sensortronics, 60048 180
Sensortronics, 60050 43
Sensortronics, 60051 180
Sensortronics, 60060 181
Sensortronics, 60063 47
Sensortronics, 65016 116
Sensortronics, 65016W-SS 117
Sensortronics, 65016WH-SS 118
Sensortronics, 65023 52
Sensortronics, 65023-SS 53
Sensortronics, 65040 146
Sensortronics, 65058 142, 147
Sensortronics, 65059 110
Sensortronics, 65061 147
Sensortronics, 65083 54
Sensortronics, 65083H 55
Sensortronics, 65083S 54
Sensortronics, 65088 4
Sensortronics, 65114 23
Sensortronics, TSA 142
Serial to 20ma 368
SF40A 375
Shackle load cell 213
SHB 65
Simulator 321
Simulators 323
Single Point 148, 149, 150, 151, 152, 153, 154, 155, 156, 157, 158, 159, 160, 161, 162, 163, 164, 165, 166, 167, 168, 169, 170, 171, 172, 173, 174, 175, 176, 177, 178, 179, 180, 181, 182, 183, 184, 185, 186, 187, 188, 189, 190, 191, 192, 193, 194, 195, 196, 197, 198, 199, 200, 201, 202, 203, 204
SJC-4 382
SLB 89
Soldering Station 318
Sorbit 318
SP 188
SP-L 189
SP298 370
SP4 178
SP4M 178
Spacer 308
Spherical Washer Beam Mount 105
Spherical Washer pair 306
Splice Box 298
SQB 84
SRP-200 377
SS-34AS 386
SS30310 85
SS30510 86
SS80310 131
SSB 64
Stabiflex 111

Stainless Steel Eye Bolts 303
Stainless Steel Mass 343
Stainless Steel Rod Ends 300
stainless steel weights 332, 333
Star, SP298 370
STP-103 375
STR 138
Strain reliefs 389
Summing box 382
Summing Junction Box 383, 384
Supplies 316, 317, 318

T

T Belting 295
T-beltting 295
T-Grip belting 295
T-Scale, NS7 243
T1241 149
T2.5x2.5-1K-HD 227
T2P1 25
T2x2-1K-SS 225
T32MC 281
T32ME 281
T3P1 25
T408 112
T408-SS 112
T42 27
T43 27
T4710 357
T4720 357
T496 8
T500E 239
T500ESS 239
T62 29
T63 29
T7-P 242
T752 8
T92 11
T93 11
T96 8
TAA 301
TAC 325
Tank 108, 109, 110, 111, 112, 113, 114, 115, 116, 117, 118, 119, 120, 121, 122, 123, 124, 125, 126, 127, 128, 129, 130
Tank Mount 105, 106, 107
Tank Scale Kit 234, 235
TB 93
TB2 59
TB32 144
TB743 60
TB745 57
TB9523 57
TBF 313
TBF-M 312
TBH35 57
TBM4 58
TBSM 107
TBT 220
TBT-SS 222
TC-C2P1 7
TC3P1 6, 26
TCM 113

- TCP1 3
- TCSP1 3
- TDB-1K 230
- TDE03 128
- TDE16 120
- TDE16-SS 121
- TDE23 145
- TDE40 145
- TDE58 144
- TDLC 353
- TDLC-Din 353
- Tedea, 1004 162
- Tedea, 1010 154
- Tedea, 1015 154
- Tedea, 1022 155
- Tedea, 1030 155
- Tedea, 1040 156
- Tedea, 1042 157
- Tedea, 1130 158
- Tedea, 1140 156
- Tedea, 1142 157
- Tedea, 120 22
- Tedea, 1240 159
- Tedea, 1250 158
- Tedea, 1260 160
- Tedea, 1260 metric 160
- Tedea, 1260S 159
- Tedea, 1263 161
- Tedea, 1320 161
- Tedea, 1410 206
- Tedea, 1510 163
- Tedea, 220 21
- Tedea, 240 208
- Tedea, 3410 66
- Tedea, 3411 66
- Tedea, 3420 67
- Tedea, 3421 67
- Tedea, 3510 68
- Tedea, 355 68
- Tedea, 614 46
- Tedea, 620 48
- Tedea, 9010 205
- Teflon liner 300
- Tension Alignment Assembly 301
- Tension cable 304
- Tension Mounting Assembly 301
- Tension Mounting Bolt 302
- Terms 391
- Test 321, 322, 323, 324, 325, 326
- TFB 153
- TFK 231
- TFK-SS 232
- TGB 224
- Threaded adapters 305
- THWM 114
- TI-1680 291
- TI-500EP 286, 362
- TI-500SL 288
- TI-700K 289
- TIK 316
- TJB61 382
- TLB 229
- TLI 238
- TM-SC 106
- TM-U220 377
- TM-U295 371
- TM-U590 371
- TM16 120, 122, 124
- TM16-SS 121, 123
- TM59 106
- TMAI 300
- Toledo, Mounting Assembly Parts 108
- Totalcomp, Auto Cal System 325
- Totalcomp, Belting 295
- Totalcomp, Galvanized 224
- Totalcomp, GB745 59
- Totalcomp, Hard Cases 334
- Totalcomp, Heavy Duty 227
- Totalcomp, Heavy duty base 225
- Totalcomp, Load Bars 237
- Totalcomp, T1241 149
- Totalcomp, T408 112
- Totalcomp, T42 27
- Totalcomp, T43 27
- Totalcomp, T4710 357
- Totalcomp, T4720 357
- Totalcomp, T496 8
- Totalcomp, T500 239
- Totalcomp, T62 29
- Totalcomp, T63 29
- Totalcomp, T7-P 242
- Totalcomp, T752 8
- Totalcomp, T92 11
- Totalcomp, T93 11
- Totalcomp, T96 8
- Totalcomp, TB2 59
- Totalcomp, TB32 144
- Totalcomp, TB743 60
- Totalcomp, TB745 57
- Totalcomp, TB9523 57
- Totalcomp, TBM4 58
- Totalcomp, TBT 220
- Totalcomp, TBT-SS 222
- Totalcomp, TC-C2P1 7
- Totalcomp, TC3P1 6, 26
- Totalcomp, TCM 113
- Totalcomp, TCP1 3
- Totalcomp, TCSP1 3
- Totalcomp, TDB 230
- Totalcomp, TDE03 128
- Totalcomp, TDE16 120
- Totalcomp, TDE16-SS 121
- Totalcomp, TDE23 145
- Totalcomp, TDE40 145
- Totalcomp, TDE58 144
- Totalcomp, TFB 153
- Totalcomp, TFK 231
- Totalcomp, TFK-SS 232
- Totalcomp, THWM 114
- Totalcomp, TLB 229
- Totalcomp, TLI 238
- Totalcomp, TM-SC 106
- Totalcomp, TM16 120, 122, 124
- Totalcomp, TM16-SS 121, 123
- Totalcomp, TM59 106
- Totalcomp, TP-FLS 151
- Totalcomp, TP-MK21 152
- Totalcomp, TP-MK4D 150
- Totalcomp, TP-MK4D-SS 150
- Totalcomp, TP40 148
- Totalcomp, TP40-SS 148
- Totalcomp, TP462 151
- Totalcomp, TPB 221
- Totalcomp, TPB-SS 223
- Totalcomp, Transducer Simulator 323
- Totalcomp, TRC1 18
- Totalcomp, TRWS 241
- Totalcomp, TS 32
- Totalcomp, TS-101 321
- Totalcomp, TS-SS 33
- Totalcomp, TSB 56
- Totalcomp, TSB-SS 56
- Totalcomp, TSB3 58
- Totalcomp, TSC 356
- Totalcomp, TSCA 16
- Totalcomp, TSP51 149
- Totalcomp, TSR-L 358
- Totalcomp, TT2P1 26
- Totalcomp, TTK 235
- Totalcomp, TTK-SS 234
- Totalcomp, TTM 109
- Totalcomp, TUSP1 24
- Totalcomp, TWLC 362
- Totalcomp, TWP 240
- Totalcomp, TYJ-360-D 369
- Totalcomp, TZ6 61
- Totalcomp, Versadeck 228
- Totalcomp, TBH35 57
- TP-FLS 151
- TP-MK-SS 150
- TP-MK21 152
- TP-MK4D 150
- TP40 148
- TP40-SS 148
- TP462 151
- TPC 334
- TR-3030 228
- Traceable Certificate 328, 329
- Transcell, BSS 47
- Transcell, FASB 194
- Transcell, FAV 194
- Transcell, JB-FI 386
- Transcell, MP-20 372
- Transcell, RF 287
- Transcell, SBS 83
- Transcell, TI-1680 291
- Transcell, TI-500EP 362
- Transcell, TI-500P 286
- Transcell, TI-500SL 288
- Transcell, TI-700K 289
- Transducer Simulator 324
- Transducer simulators 323
- transient protector 319
- TRC1 18
- Troemner, Weight case 341
- Troemner, weights 328, 329
- Tru Test, MP 237
- Tru Test, XR-5000 236
- Tru-Test, Alleyway 237
- Tru-Test, Indicator Opt 236
- Tru-Test, S3 236

Index

Truck 131, 132, 133, 134, 135, 136, 137, 138,
139, 140, 141, 142, 143, 144, 145, 146, 147
TRWS 241
TS 32, 323
TS-101 Simulator 321
TS-350 324
TS-8V Simulator 324
TS-SS 33
TSB 56
TSB-SS 56
TSB3 58
TSC 356
TSCA 16
TSP51 149
TSSP 189
TSWM 105
TT2P1 26
TTK3 235
TTK3-SS 234
TTK4 235
TTK4-SS 234
TTM 109
TUSP1 24
TV 228
TW 335
TWLC 362
TWP 240
TYJ-360-D 369
TZ6 61

U

U2A 28
U2D1 197
UB1 46
UB6 45
UMC555 266
UMC600 266
UMC600IS 346
Unibridge, J-box 382
Uninterruptible Power Supply 320
USP1 24
Utilcell, 260 209
Utilcell, 300 95
Utilcell, 350A 94
Utilcell, 350I 95
Utilcell, 350N 94

V

Vishay, 0505H 204
Vishay, Compression Mount 13
Vishay, KOSD 211
Vishay, LC-II 326
Vishay, Web Tension Transmitter 351
VKK1-4A 387

W

Washer 311
WBLH 96
WBP 97
WBT 97
Weigh-Tronix, WBL 97
Weigh-Tronix, WBLH 96

Weigh-Tronix, WBP 97
Weigh-Tronix, WBT 97
weight case 341
Weight Set 336
WeighTech, MW2001 294
Weights 327, 328, 329, 330, 331, 332, 333,
334, 335, 336, 337, 338, 339, 340, 341, 342,
343
Western Weighing, Aurora 360
WF-1/2-13x1-3/4 312
WM-III 132
WM-VI 14

X

X320 265
XR-5000 236

Z

Z-BLOK 104
Z6 73
Zebra, Direct Thermal Printer 366
Zemic, B6E 201
Zemic, B6G 201
Zemic, B6N 202
Zemic, B8D 77
Zemic, BM14G 19
Zemic, BM6A 203
Zemic, H3G 51
Zemic, H8C 77
Zemic, H8C-C3 76
Zemic, L6E 202
Zemic, L6G 203
ZM-401 276
ZM303 276
ZX1300i 370

Tension Load Cell Thread Sizes

Model	1/4-28	3/8-24	1/2-20	3/4-16	1-14	1 1/4-12	1 1/2-12	2-12	2 1/2-12	3-8	4-8
USP		100-250	500-2.5K		5K-10K		25K	50K		100K	200K-300K
T3P1			500-3K		5K-10K						
T2P1							20K	50K			
42, 43					5K-10K		20K-50K	100K	200K-250K		
TC33		250	500-2.5K		5K-10K		25K	50K			
TC31			500-3K		5K-10K						
TC21							20K	50K			
62, 63		100-300	500-3K								
RSC		50-300	500-3K	5K-10K							
TS2		50-300	500-3K	5K-10K							
USB		200	500-3K	10K							
BSP		100-250	500-2.5K		5K-10K						
TS	25-300		500-3K	5K-10K	15K	20K	30K-40K				
NS	25-300		500-3K	5K-10K	15K	20K					
GS	25-300		500-3K	5K							
GS-SS			250-3K								
20210	25-300		500-3K	5K-10K	15K	20K					
263D			500-3K								
363, 9363	50-300		500-3K	5K-10K							
60036	50-300										
60001	25-150	250	500-3K	5K-10K	15K	20K					

Note: Thread size 1/2-20 refers to a 1/2" O.D. having 20 threads per inch of length.



13-01 Pollitt Dr Ext
Fair Lawn NJ
07410
USA

Change Service Requested

BOUND PRINTED
MATTER
U.S. POSTAGE PAID
PARAMUS, NJ
PERMIT 545

Mail Room Supervisor: Our customer at your location has requested this catalog. If this catalog cannot be delivered as addressed, please forward to your company's Purchasing Manager and call us at **201-797-2718** to update the changes.

If for any reason you need additional copies of this catalog, please us at **201-797-2718**



INTERNATIONAL
SOCIETY OF
WEIGHING AND
MEASUREMENT

write: 13-01 Pollitt Dr Ext
Fair Lawn NJ 07410

phone: 201-797-2718

fax: 201 797-2287

browse: www.totalcomp.com

e-mail: sales@totalcomp.com