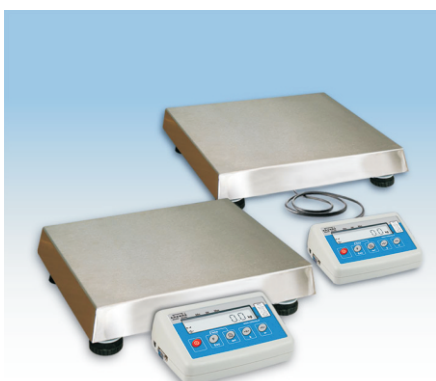







# TABLE SCALES WLC/R



Dual range balances series WLC/R are designed for fast and precise mass determination in laboratory and industrial conditions. They can also be used in areas with no access to mains (230V), as their standard equipment includes internal rechargeable battery and RS 232 output. All kinds of this balance (pan size: 128×128, 125×145, 195×195, 290×360 and 400×500 mm) are equipped with stainless steel weighing platform and backlit LCD display providing good reading of weighing result.

Balances WLC A2 have possibility of weighing loads outside weighing platform (so called under hook weighing), where the load is hanged under the instrument. This is an alternative for weighing loads with non-standard dimensions and shapes.

-  Counting pieces
-  Checkweighing
-  Percentage
-  Caps lock of max indication
-  Measurement in Newton

## Technical data:

	WLC 0,6/B1	WLC 1,2/B1	WLC 1,2/3/A1	WLC 3/6/A2	WLC 6/12/A2	WLC 6/12/C1/R WLC 6/12/C1/K	WLC 12/30/C1/R WLC 12/30/C1/K	WLC 60/120/C2/R WLC 60/120/C2/K
Max capacity	0,6 kg	1,2 kg	1,2/3 kg	3/6 kg	6/12 kg	6/12 kg	12/30 kg	60/120 kg
Readability	0,1 g	0,2 g	0,2/0,5 g	0,5/1 g	1/2 g	1/2 g	2/5 g	10/20 g
Tare range	-0,6 kg	-1,2 kg	-3 kg	-6 kg	-10 kg	-6 kg	-12 kg	-60 kg
Pan size	125 × 145 mm		195 × 195 mm			290 × 360 mm		400 × 500 mm
Power supply	230V / 11V AC or 120V / 11V AC, internal battery SLA 3,4 Ah					230V / 11V AC or 120V / 11V AC and 6 × AA NiMH		
Output signal	RS 232							
Stabilization time	3 s							
Working temperature	+15° - +30 °C							
Display	LCD (backlit)							

## Additional equipment:

"KAFKA" THERMAL PRINTER

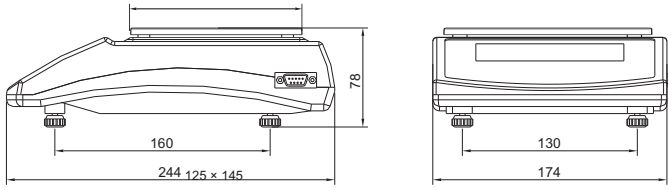
NEEDLE PRINTER "EPSON"

RACK FOR UNDER HOOK WEIGHING

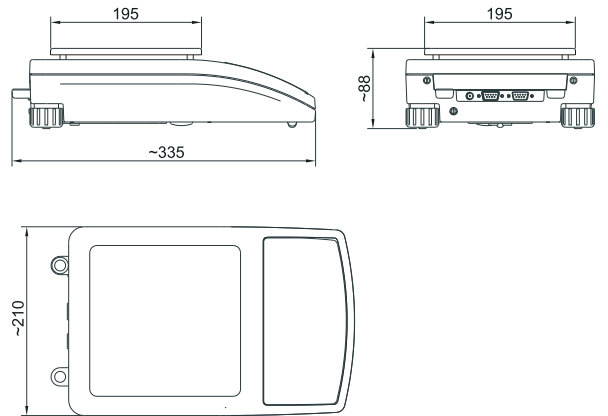
SUITCASE FOR BALANCE

COMPUTER SOFTWARE PW-WIN 2005, RAD-KEY 2000, REC-FS 2000

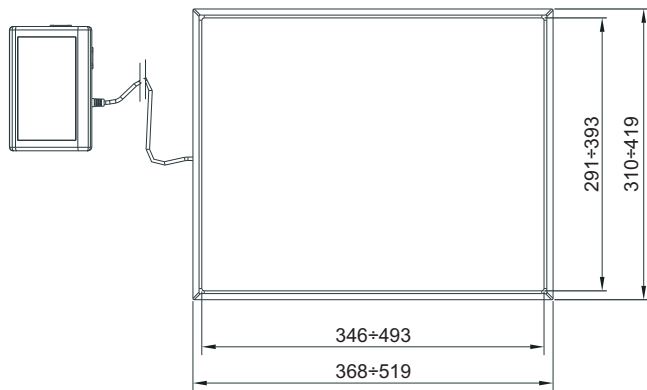
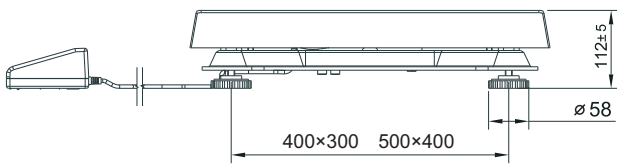
B1 version



A2 version



/K version



/R version

