

**2024**

Issue date 2Aug2024

# **Components**



---

the weigh you want... *today!*



Dear Customer:

This catalog has been prepared especially for the professional in the weighing industry. I think that you will find it informative and helpful.

We pride ourselves on answering the phone on the first ring and shipping your order the same day that you place it. This is due to our huge inventory.

You can depend on our price being the best in the industry. If you have a need for a large quantity we can give you a better price.

Thank you for being our customer. We look forward to many successful years with you.

Best Personal Regards  
Rudolph J. Kolaci  
President

Canister

S Type

Beam

Tank Mount

Tank

Truck

Single point

Fluid damp

Foot cell

Load pin

Base

Port base

Floor kit

Tank kit

Livestock

Indicators

T Belting

Cable

Mounting

Supplies

Power

Test

Weights

Hazardous

Process

Remote

Bar Code

Printers

J Box

## Mission

Serve, Supply, & Inform You with Totalcompetence.

## Vision

Embrace Change While Maintaining Values.

## Values

*Honest* in all of our dealings.

*Helpful* to our customers & each other.

*Happy* in both home and office.

*Healthy* in all aspects of our lives.

To see current dealer pricing please go to [www.Totalcomp.com](http://www.Totalcomp.com) and create an account.

After dealer approval, you will be able to order online as an authorized Totalcomp reseller.

Please feel free to call us at 201-797-2718 should you have any issues successfully registering.

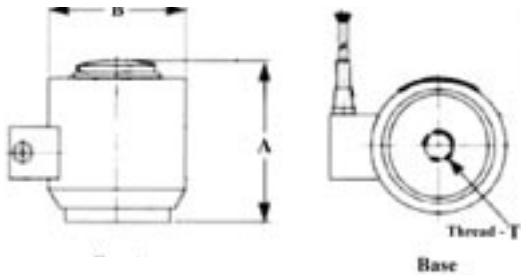
# Canister compression

Industrial quality, heavy duty construction, load cells will perform well under extreme environmental conditions. These are top of the line with welded, hermetically sealed cases that contain the strain gages. They should be used as replacement cells for weighing applications that demand the highest degree of reliability such as Truck, Track, Hopper and Tank scales. These cells cost more than nonhermetically sealed units; but this must be compared to the potential cost of the scale being out of service.

Note: Resistance specifications are in the form "input"/"output" ohms if two values are given. Only one value is "input" ohms.



CP



### CP Revere

1.75 mv/v, 450/480 ohm, 30 ft 4 wire cable, **stainless steel**. IP67.

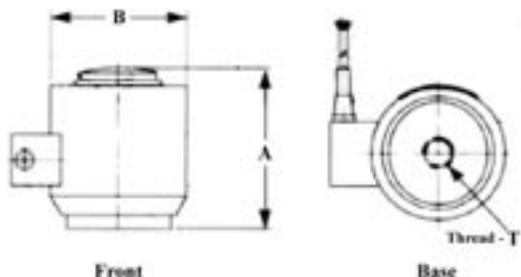
| Part Number | Capacity   | Weight | SKU | List        |
|-------------|------------|--------|-----|-------------|
| CP-D3-10K   | 10,000 lb  | 7 lb   | 1   | \$ 1,552.87 |
| CP-D3-25K   | 25,000 lb  | 7 lb   | 2   | 1,552.87    |
| CP-D3-50K   | 50,000 lb  | 7 lb   | 3   | 1,552.87    |
| CP-D3-100K  | 100,000 lb | 15 lb  | 4   | 1,856.97    |
| CP-D3-200K  | 200,000 lb | 37 lb  | 5   | 2,639.67    |
| CP-D3-300K  | 300,000 lb | 39 lb  | 6   | 3,882.63    |
| CP-D3-500K  | 500,000 lb | 60 lb  | 7   | 5,873.55    |

### Dimensions in inches

| Capacity  | A    | B    | T          |
|-----------|------|------|------------|
| 10-50K    | 3.25 | 2.88 | 1/2-20 UNF |
| 100K      | 5.00 | 4.12 | 3/4-16 UNF |
| 200K-300K | 7.25 | 6.00 | 3/4-16 UNF |
| 500K      | 9.00 | 6.50 | 3/4-46 UNF |



CSP



### CSP Revere

2 mv/v, 450/480 ohm, 30ft 4 wire cable, **stainless steel**. IP67.  
NTEP Legal for Trade 88-082

| Part Number  | Capacity   | Weight | SKU | List        |
|--------------|------------|--------|-----|-------------|
| CSP-D3-10K   | 10,000 lb  | 7 lb   | 8   | \$ 1,895.63 |
| CSP-B10-25K  | 25,000 lb  | 7 lb   | 9   | 1,895.63    |
| CSP-B10-50K  | 50,000 lb  | 7 lb   | 10  | 1,895.63    |
| CSP-B10-100K | 100,000 lb | 15 lb  | 11  | 2,163.15    |
| CSP-B10-200K | 200,000 lb | 37 lb  | 12  | 2,317.81    |
| CSP-D3-300K  | 300,000 lb | 39 lb  | 13  | 3,253.09    |
| CSP-D3-500K  | 500,000 lb | 60 lb  | 14  | 4,792.37    |

\* Not NTEP

### Dimensions in inches

| Capacity  | A    | B    | T          |
|-----------|------|------|------------|
| 10-50K    | 3.25 | 2.88 | 1/2-20 UNF |
| 100K      | 5.00 | 4.12 | 3/4-16 UNF |
| 200K-300K | 7.25 | 6.00 | 3/4-16 UNF |
| 500K      | 9.00 | 6.50 | 3/4-46 UNF |

\* Not NTEP

Prices are subject to change without notice. Please call for current prices.

Other items are available from the manufacturers, please call for quote.

## TCP1 Totalcomp

Interchangeable with Revere model CP and TI model 392 but not NTEP.  
1.75 mv/v, 450/480 ohm, 50 ft 4 cable, **stainless steel**. IP67.

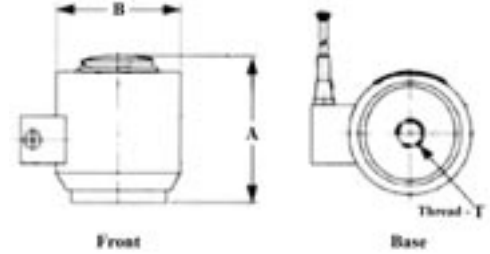
| Part Number  | Capacity   | Weight | SKU  | List        |
|--------------|------------|--------|------|-------------|
| TCP1-10K-SS  | 10,000 lb  | 7 lb   | 1860 | \$ 1,270.50 |
| TCP1-25K-SS  | 25,000 lb  | 7 lb   | 1861 | 1,270.50    |
| TCP1-50K-SS  | 50,000 lb  | 7 lb   | 1862 | 1,270.50    |
| TCP1-100K-SS | 100,000 lb | 13 lb  | 1863 | 1,501.50    |
| TCP1-200K-SS | 200,000 lb | 29 lb  | 1864 | 1,848.00    |
| TCP1-300K-SS | 300,000 lb | 29 lb  | 1865 | 1,848.00    |
| TCP1-500K-SS | 500,000 lb | 46 lb  | 1676 | 3,176.25    |



TCP1

### Dimensions in inches

| Capacity  | A    | B    | T          |
|-----------|------|------|------------|
| 10-50K    | 3.25 | 2.88 | 1/2-20 UNF |
| 100K      | 5.00 | 4.12 | 3/4-16 UNF |
| 200K-300K | 7.25 | 6.00 | 3/4-16 UNF |
| 500K      | 9.00 | 6.50 | 3/4-46 UNF |



## TCSP1 Totalcomp

Interchangeable with Revere model CP and TI model 392 but not NTEP.  
2 mv/v, 450/480 ohm, 50 ft 4 wire cable, **stainless steel**. IP67.

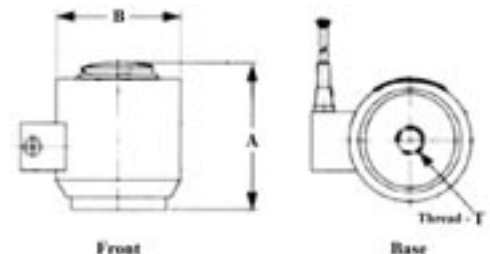
| Part Number   | Capacity   | Weight | SKU  | List        |
|---------------|------------|--------|------|-------------|
| TCSP1-10K-SS  | 10,000 lb  | 7 lb   | 1866 | \$ 1,270.50 |
| TCSP1-25K-SS  | 25,000 lb  | 7 lb   | 1867 | 1,270.50    |
| TCSP1-50K-SS  | 50,000 lb  | 7 lb   | 1868 | 1,270.50    |
| TCSP1-100K-SS | 100,000 lb | 13 lb  | 1869 | 1,501.50    |
| TCSP1-200K-SS | 200,000 lb | 29 lb  | 1870 | 1,848.00    |
| TCSP1-300K-SS | 300,000 lb | 29 lb  | 1871 | 1,848.00    |
| TCSP1-500K-SS | 500,000 lb | 46 lb  | 1893 | 3,176.25    |



TCSP1

### Dimensions in inches

| Capacity  | A    | B    | T          |
|-----------|------|------|------------|
| 10-50K    | 3.25 | 2.88 | 1/2-20 UNF |
| 100K      | 5.00 | 3.25 | 3/4-16 UNF |
| 200K-300K | 7.25 | 4.88 | 3/4-16 UNF |
| 500K      | 9.00 | 5.37 | 3/4-46 UNF |

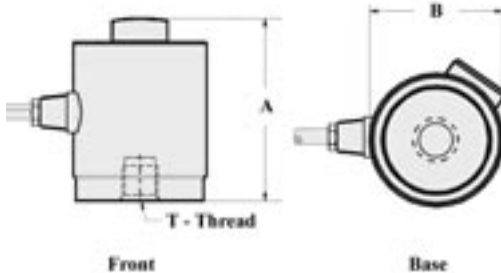


# Canister compression

Canister



65088



## 65088 Sensortronics

Interchangeable with Revere model CSP1 and TI model 682. but not NTEP.  
2 mv/v, 450/480 ohm, 35 ft 4 wire cable, **stainless steel**, IP67.  
NTEP Legal for Trade 95-134

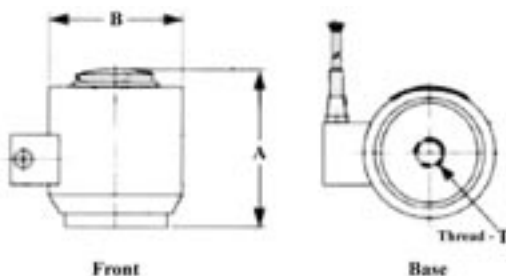
| Part Number     | Capacity   | Weight | SKU  | List        |
|-----------------|------------|--------|------|-------------|
| 65088-25K-1000  | 25,000 lb  | 7 lb   | 4786 | \$ 1,726.34 |
| 65088-50K-1000  | 50,000 lb  | 7 lb   | 4787 | 1,726.34    |
| 65088-100K-1000 | 100,000 lb | 15 lb  | 4788 | 1,991.77    |
| 65088-200K-1000 | 200,000 lb | 37 lb  | 4789 | 3,803.80    |

### Dimensions in inches

| Capacity | A    | B    | T          |
|----------|------|------|------------|
| 25-50K   | 3.25 | 3.00 | 1/2-20 UNF |
| 100K     | 5.00 | 4.00 | 3/4-16 UNF |
| 200K     | 7.25 | 6.00 | 3/4-16 UNF |



90310



## 90310 Artech

Interchangeable with Revere model CSP1 and TI model 692.  
2 mv/v, 450/480 ohm, 30 ft 4 wire cable, painted steel. IP67.  
NTEP Legal for Trade 95-092

| Part Number | Capacity   | Weight | SKU  | List        |
|-------------|------------|--------|------|-------------|
| 90310-25K   | 25,000 lb  | 7 lb   | 3255 | \$ 1,802.00 |
| 90310-50K   | 50,000 lb  | 7 lb   | 3256 | 1,802.00    |
| 90310-100K  | 100,000 lb | 15 lb  | 3257 | 1,943.33    |
| 90310-200K  | 200,000 lb | 37 lb  | 3258 | 2,299.22    |
| 90310-300K  | 300,000 lb | 39 lb  | 3272 | 3,522.49    |
| 90310-500K  | 500,000 lb | 46 lb  | 3273 | 4,982.72    |

### Dimensions in inches

| Capacity  | A    | B    | T          |
|-----------|------|------|------------|
| 10-50K    | 3.25 | 2.87 | 1/2-20 UNF |
| 100K      | 5.00 | 4.12 | 3/4-16 UNF |
| 200K-300K | 7.25 | 6.00 | 3/4-16 UNF |
| 500K      | 9.00 | 6.53 | 3/4-16 UNF |

Prices are subject to change without notice. Please call for current prices.

Other items are available from the manufacturers, please call for quote.

## C3P1 BLH

3 mv/v, 350/350 ohm, 30 ft 4 cable, painted steel. IP67.

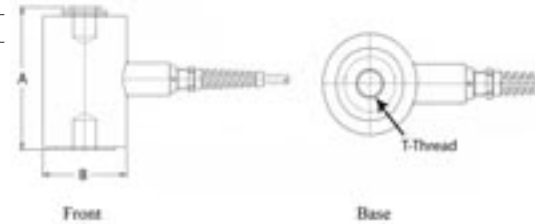
| Part Number | Mfg    | Capacity  | Weight | SKU | List        |
|-------------|--------|-----------|--------|-----|-------------|
| 3P1-500     | 464916 | 500 lb    | 11 lb  | 19  | \$ 2,889.00 |
| C3P1-1K     | 464917 | 1,000 lb  | 11 lb  | 20  | 2,889.00    |
| C3P1-2K     | 464918 | 2,000 lb  | 11 lb  | 21  | 2,889.00    |
| C3P1-3K     | 464919 | 3,000 lb  | 11 lb  | 22  | 2,889.00    |
| C3P1-5K     | 464924 | 5,000 lb  | 13 lb  | 23  | 2,996.00    |
| C3P1-10K    | 464925 | 10,000 lb | 13 lb  | 24  | 2,996.00    |



C3P1

### Dimensions in inches

| Capacity | A    | B    | T          |
|----------|------|------|------------|
| 500-3K   | 4.56 | 3.50 | 1/2-20 UNF |
| 5K-10K   | 5.94 | 3.50 | 1-14 UNF   |



## C2P1 BLH

2 mv/v, 350/350 ohm, 10 ft 4 cable, painted steel, IP67.

NTEP 87-060 Legal for Trade ILL, 4,500M

| Part Number   | Mfg    | Capacity   | Weight | SKU  | List        |
|---------------|--------|------------|--------|------|-------------|
| C2P1-20K-A10  | 464710 | 20,000 lb  | 23 lb  | 25   | \$ 3,398.00 |
| C2P1-50K-A10  | 464712 | 50,000 lb  | 24 lb  | 27   | 3,455.00    |
| C2P1-100K-A10 | 464713 | 100,000 lb | 44 lb  | 28   | 3,540.00    |
| C2P1-200K-A10 | 464714 | 200,000 lb | 99 lb  | 29   | 5,481.00    |
| C2P1-300K-A10 | 464715 | 300,000 lb | 150 lb | 6754 | 8,787.00    |
| C2P1-300K     | 464716 | 500,000 lb | 250 lb | 6755 | 16,933.00   |

### 35ft cable

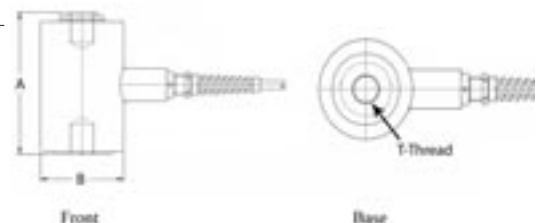
|               |        |            |        |      |           |
|---------------|--------|------------|--------|------|-----------|
| C2P-20K-A35   | 464730 | 20,000 lb  | 24 lb  | 26   | 3,548.00  |
| C2P1-50K-A35  | 464732 | 50,000 lb  | 25 lb  | 47   | 3,606.00  |
| C2P1-100K-A35 | 464733 | 100,000 lb | 46 lb  | 48   | 3,680.00  |
| C2P1-200k-A35 | 464734 | 200,000 lb | 99 lb  | 49   | 5,625.00  |
| C2P1-300K-A35 | 464735 | 300,000 lb | 150 lb | 6879 | 8,926.00  |
| C2P1-500K-A35 | 464736 | 500,000 lb | 250 lb | 6880 | 17,047.00 |

### Dimensions in inches

| Capacity | A     | B    | T          |
|----------|-------|------|------------|
| 20-50K   | 7.50  | 4.50 | 3/8-20 UNF |
| 100K     | 9.12  | 6.00 | 1/2-20 UNF |
| 200K     | 11.62 | 8.00 | 5/8-18 UNF |



C2P1



Prices are subject to change without notice. Please call for current prices.

Other items are available from the manufacturers, please call for quote.



TC3P1

## TC3P1 Totalcomp

Interchangeable with BLH model C3P1. Order load button separately.  
3 mv/v, 350/350 ohm, 30 ft 4 wire cable, **stainless steel**.

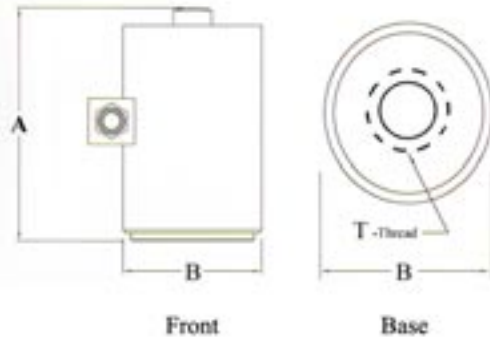
| Part Number  | Capacity  | Weight | SKU  | List        |
|--------------|-----------|--------|------|-------------|
| TC3P1-55-SS  | 500 lb    | 10 lb  | 1879 | \$ 1,175.21 |
| TC3P1-1K-SS  | 1,000 lb  | 10 lb  | 1880 | 1,175.21    |
| TC3P1-2K-SS  | 2,000 lb  | 10 lb  | 1881 | 1,175.21    |
| TC3P1-3K-SS  | 3,000 lb  | 10 lb  | 1882 | 1,175.21    |
| TC3P1-5K-SS  | 5,000 lb  | 12 lb  | 1883 | 1,334.03    |
| TC3P1-10K-SS | 10,000 lb | 12 lb  | 1884 | 1,334.03    |

### Load buttons

|                         |           |      |     |        |
|-------------------------|-----------|------|-----|--------|
| 1/2-20 UNF load buttons | 500 to 3K | 1 lb | 272 | 83.00  |
| 1-14 UNF load button    | 5K to 10K | 1 lb | 273 | 138.00 |

### Lod buttons

|                          |            |      |     |        |
|--------------------------|------------|------|-----|--------|
| 1 1/2-12 UNF load button | 20K to 30K | 4 lb | 274 | 208.00 |
| 2-12 UNF load button     | 50K        | 8 lb | 275 | 416.00 |



### Dimensions in inches

| Capacity | A    | B    | T          |
|----------|------|------|------------|
| 500-3K   | 4.56 | 3.00 | 1/2-20 UNF |
| 5K-10K   | 5.94 | 3.50 | 1-14 UNF   |



## TC-C2P1 Totalcomp

Interchangeable with BLH model C2P1. Order load button separately.  
2 mv/v, 350/350 ohm, 30 ft 4 wire cable, **stainless steel**.IP67.

| Part Number           | Capacity  | Weight | SKU  | List        |
|-----------------------|-----------|--------|------|-------------|
| TC-C2P1-20K-SS        | 20,000 lb | 19 lb  | 1885 | \$ 1,617.00 |
| TC-C2P1-30K-SS        | 30,000 lb | 19 lb  | 1886 | 1,950.30    |
| TC-C2P1-50K-SS        | 50,000 lb | 19 lb  | 1887 | 1,617.00    |
| TC-C2P1-50K-SS-1000 * | 50,000 lb | 19 lb  | 1984 | 1,617.00    |

\* Replacement for BLH Supercell (yellow) w/1000 ohm bridge.

|                 |            |       |      |          |
|-----------------|------------|-------|------|----------|
| TC-C2P1-100K-SS | 100,000 lb | 33 lb | 1888 | 1,848.00 |
| TC-C2P1-200K-SS | 200,000 lb | 78 lb | 1889 | 2,656.50 |

### Load buttons

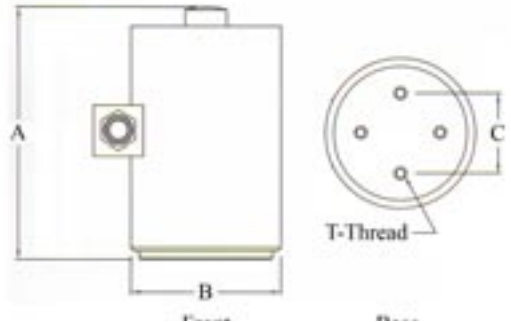
|                          |            |      |     |        |
|--------------------------|------------|------|-----|--------|
| 1 1/2-12 UNF load button | 20K to 30K | 4 lb | 274 | 208.00 |
| 2-12 UNF load button     | 50K        | 8 lb | 275 | 416.00 |

### Dimensions in inches

| Capacity | A     | B    | C     | T          |
|----------|-------|------|-------|------------|
| 20-50K   | 7.50  | 4.50 | 2.375 | 3/8-24 UNF |
| 20K-25K  | 9.125 | 6.00 | 4.00  | 1/2-20 UNF |
| 50K      | 11.63 | 8.00 | 5.00  | 5/8-18 UNF |



TC-C2P1



## 792 Revere

Interchangeable with BLH model C2P1.  
Hermetically sealed  
2 mv/v, 350/350 ohm, 35 ft 4 wire cable, **stainless steel**, IP67.  
Factory Mutual Approved  
NTEP Legal for Trade 91-001

| Part Number       | Capacity   | Weight | SKU  | List        |
|-------------------|------------|--------|------|-------------|
| 792-B10-50K-35P5  | 50,000 lb  | 19 lb  | 2352 | \$ 2,041.00 |
| 792-B10-100K-35P5 | 100,000 lb | 35 lb  | 2353 | 2,175.69    |
| 792-B10-200K-35P5 | 200,000 lb | 78 lb  | 2354 | 3,206.06    |

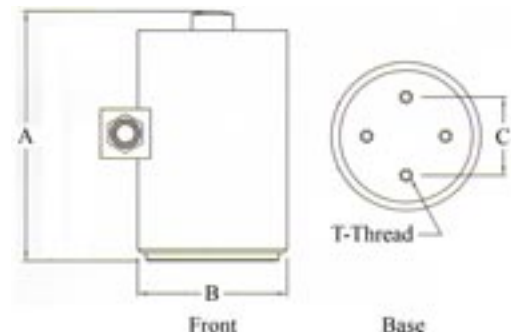


792



### Dimensions in inches

| Capacity | A     | B    | C     | T          |
|----------|-------|------|-------|------------|
| 20-50K   | 7.50  | 4.50 | 2.375 | 3/8-24 UNF |
| 20K-25K  | 9.125 | 6.00 | 4.00  | 1/2-20 UNF |
| 50K      | 11.63 | 8.00 | 5.00  | 5/8-18 UNF |



Prices are subject to change without notice. Please call for current prices.

Other items are available from the manufacturers, please call for quote.

# Canister compression

Canister



T752

## T752 Totalcomp

Interchangeable with Toledo Model 752 cap check load cell. Cell only, does not include cap. Use existing cap with this replacement cell.  
 50K - 4.5" dia tall, (4) 1/2-20 mtg threads in base on 3" bolt circle.  
 100K - 6" dia, 8.125" tall, (4) 3/4-16 mtg threads in base on 4" bolt circle.  
 2 mv/v, 825/775 ohm, 35 ft 4 wire cable, **stainless steel**. IP67.

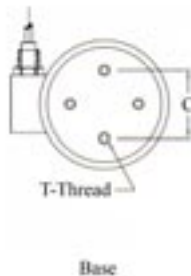
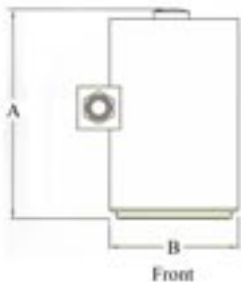
| Part Number  | Toledo     | Capacity   | Weight | SKU  | List        |
|--------------|------------|------------|--------|------|-------------|
| T752-50K-SS  | B10883600A | 50,000 lb  | 16 lb  | 1147 | \$ 1,524.60 |
| T752-100K-SS | B10887700A | 100,000 lb | 29 lb  | 1148 | 1,905.75    |

### Mounting Hardware

|                   |  |  |       |      |          |
|-------------------|--|--|-------|------|----------|
| T752-50K-SS-Cap   |  |  | 5 lb  | 5406 | 577.50   |
| T752-50K-SS-Pin   |  |  | 3 lb  | 5407 | 189.76   |
| T752-50K-SS-Base  |  |  | 17 lb | 5408 | 807.76   |
| T752-100K-SS-Cap  |  |  | 5 lb  | 5409 | 882.76   |
| T752-100K-SS-Pin  |  |  | 3 lb  | 5410 | 189.76   |
| T752-100K-SS-Base |  |  | 33 lb | 5411 | 1,270.50 |

### Dimensions in inches

| Capacity | A     | B    | C    | T          |
|----------|-------|------|------|------------|
| 50K      | 6.000 | 4.50 | 3.00 | 5/8-18 UNF |
| 100K     | 8.125 | 6.00 | 4.00 | 3/4-16 UNF |



T96/T496

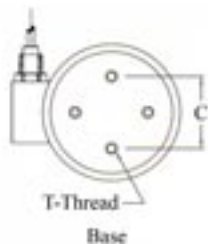
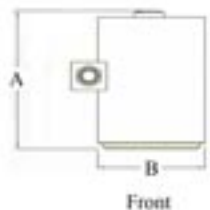
## T96 & T496 Totalcomp

Interchangeable with Toledo canister compression cells.  
 2 mv/v, 240/240 ohm, 35 ft cable, **stainless steel**. IP67.

| Part Number | Toledo     | Capacity  | Weight | SKU  | List        |
|-------------|------------|-----------|--------|------|-------------|
| T96-500-SS  | A09622700L | 500 lb    | 8 lb   | 1448 | \$ 1,083.00 |
| T96-1K-SS   | A09622700M | 1,000 lb  | 8 lb   | 1449 | 1,083.00    |
| T96-2K-SS   | A09622700N | 2,000 lb  | 8 lb   | 1450 | 1,083.00    |
| T496-5K-SS  | 049660020  | 5,000 lb  | 12 lb  | 1451 | 1,461.08    |
| T496-10K-SS | 049665020  | 10,000 lb | 12 lb  | 1452 | 1,461.08    |
| T496-15K-SS |            | 15,000 lb | 21 lb  | 1713 | 1,651.65    |
| T496-20K-SS | 049675020  | 20,000 lb | 21 lb  | 1453 | 1,651.65    |
| T496-50K-SS | 049680020  | 50,000 lb | 21 lb  | 1455 | 1,651.65    |

### Dimensions in inches

| Capacity | A     | B    | C     | T                    |
|----------|-------|------|-------|----------------------|
| 500-2K   | 3.312 | 3.50 | ----- | 1/2-20 UNF Both ends |
| 5K-10K   | 5.31  | 4.00 | 2.38  | 3/8-24 UNF           |
| 15K-50K  | 7.12  | 4.50 | 2.38  | 3/8-24 UNF           |



Prices are subject to change without notice. Please call for current prices.

Other items are available from the manufacturers, please call for quote.

## LPD General Sensor

Interchangeable with Interface 1211, and Emery Winslow 1211 Totalizer.  
4 mv/v, 385/350 ohms, 20 ft 4 wire cable, nickel plated steel, IP67.

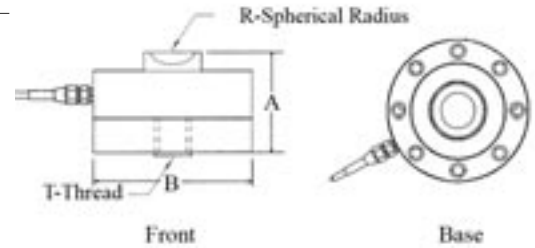
| Part Number | Capacity   | Weight | SKU  | List      |
|-------------|------------|--------|------|-----------|
| LPD-5K      | 5,000 lb   | 8 lb   | 3675 | \$ 816.00 |
| LPD-10K     | 10,000 lb  | 8 lb   | 3676 | 816.00    |
| LPD-25K     | 25,000 lb  | 14 lb  | 3677 | 918.00    |
| LPD-50K     | 50,000 lb  | 14 lb  | 3678 | 918.00    |
| LPD-100K    | 100,000 lb | 21 lb  | 3679 | 1,020.00  |



LPD

### Dimensions in inches

| Capacity | A    | B    | C     | T            |
|----------|------|------|-------|--------------|
| 5-10K    | 2.50 | 4.12 | 0.625 | 1/2-20 UNF   |
| 25K-50K  | 3.06 | 4.75 | 0.875 | 3/4-16 UNF   |
| 100K     | 3.39 | 4.75 | 0.875 | 1 1/4-12 UNF |



## LCD Celtron low profile compression disk cell

4 mv/v, 385/350 ohms, 770/700 ohms for 100K cell, 49.2 ft wire cable, nickel plated steel, IP67.

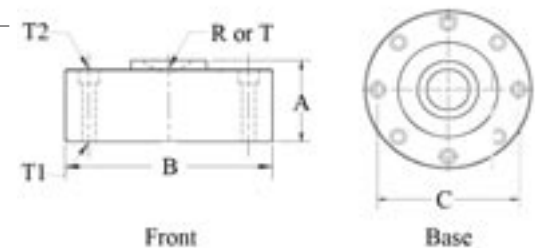
| Part Number | Capacity   | Weight | SKU  | List      |
|-------------|------------|--------|------|-----------|
| LCD-5K      | 5,000 lb   | 8 lb   | 1621 | \$ 657.31 |
| LCD-10K     | 10,000 lb  | 8 lb   | 1622 | 657.31    |
| LCD-25K     | 25,000 lb  | 14 lb  | 1623 | 833.91    |
| LCD-50K     | 50,000 lb  | 14 lb  | 1624 | 916.47    |
| LCD-100K    | 100,000 lb | 21 lb  | 1625 | 999.02    |



LCD

### Dimensions in inches

| Capacity | A    | B    | C    | R     | T          | T1   | T2            |
|----------|------|------|------|-------|------------|------|---------------|
| 5-10K    | 1.37 | 4.12 | 3.50 | ----- | 5/8-18 UNF | 0.28 | 0.41 x 0.28DP |
| 25K-50K  | 2.12 | 4.75 | 4.00 | 0.87  | -----      | 0.34 | 0.53 x 0.38DP |
| 100K     | 2.25 | 5.43 | 4.60 | 0.87  | -----      | 0.41 | 0.65 x 0.43DP |



Prices are subject to change without notice. Please call for current prices.

Other items are available from the manufacturers, please call for quote.

# Canister compression

Canister



CG-26S1

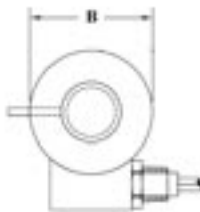
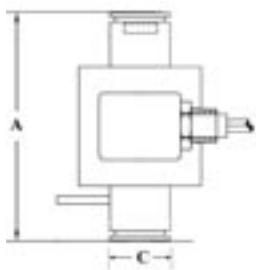
## CG-26S1 Coti Global

Interchangeable with Sensortronics 65114S. **Stainless steel**, rocker column, compression cell for use in Thurman and Fairbanks truck scales  
2 mv/v, 1000/1000 ohms, 50 ft 4 wire cable, **stainless steel**, IP67  
NTEP Legal for Trade 08-083

| Part Number         | Height | Capacity  | Weight | SKU  | List      |
|---------------------|--------|-----------|--------|------|-----------|
| CG-26S1-65114-50KSE | 6.00"  | 50,000 lb | 8.0 lb | 4571 | \$ 918.23 |
| CG-26S1-65114-50KLE | 7.56"  | 50,000 lb | 9.8 lb | 4572 | 918.23    |

1.80 mv/v

|               |       |           |        |      |        |
|---------------|-------|-----------|--------|------|--------|
| CG-26S1-50KLE | 7.56" | 50,000 lb | 9.8 lb | 4574 | 918.23 |
|---------------|-------|-----------|--------|------|--------|



### Dimensions in inches

| Capacity | A    | B    | C    |
|----------|------|------|------|
| 50K      | 6.00 | 3.00 | 1.46 |
| 50KLE    | 7.56 | 3.00 | 1.46 |

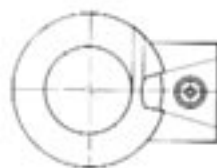
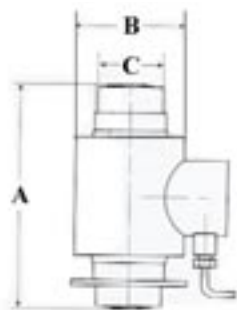


C16

## C16 HBM

Stainless steel, rocker column, compression cell, sealed to IP69K washdown cleaning.  
2 mv/v, 700/706 ohms, 12m 6 wire cable, **stainless steel**, IP69.  
NTEP Legal for Trade 95-096

| Part Number     | Capacity   | Weight | SKU  | List        |
|-----------------|------------|--------|------|-------------|
| 1-C16A3C3/20T-1 | 20,000 kg  | 6 lb   | 2990 | \$ 1,516.00 |
| 1-C16A3C3/30T-1 | 30,000 kg  | 6 lb   | 2991 | 1,516.00    |
| 1-C16A2C3/40T-1 | 40,000 kg  | 8 lb   | 2992 | 1,615.00    |
| 1-C16A2C3/60T   | 60,000 kg  | 10 lb  | 2993 | 1,430.00    |
| 1-C16A2C3/100T  | 100,000 kg | 30 lb  | 2994 | 2,698.00    |



Front

Base

### Dimensions in inches

| Capacity | A     | B    | C    |
|----------|-------|------|------|
| 20-40t   | 5.91  | 3.00 | 1.73 |
| 60t      | 8.27  | 3.00 | 1.73 |
| 100t     | 10.24 | 3.74 | 2.52 |

Prices are subject to change without notice. Please call for current prices.

Other items are available from the manufacturers, please call for quote.

## T92 Totalcomp

Interchangeable with RTI Model 92.  
2 mv/v, 350/350 ohm, 30 ft 4 wire cable, **stainless steel**. IP67.

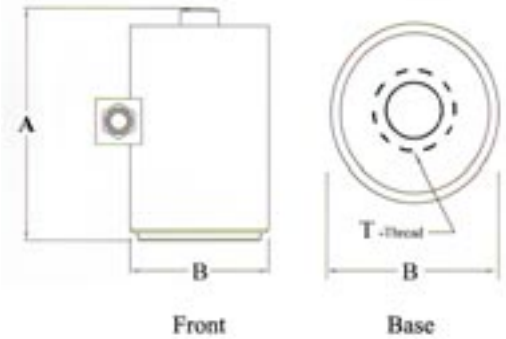
| Part Number | Capacity   | Weight | SKU  | List        |
|-------------|------------|--------|------|-------------|
| T92-5K-SS   | 5,000 lb   | 9 lb   | 2957 | \$ 1,461.08 |
| T92-10K-SS  | 10,000 lb  | 9 lb   | 2958 | 1,461.08    |
| T92-20K-SS  | 20,000 lb  | 9 lb   | 2959 | 1,492.26    |
| T92-25K-SS  | 25,000 lb  | 13 lb  | 2960 | 1,492.26    |
| T92-50K-SS  | 50,000 lb  | 13 lb  | 2961 | 1,492.26    |
| T92-100K-SS | 100,000 lb | 26 lb  | 2962 | 1,651.65    |
| T92-150K-SS | 150,000 lb | 45 lb  | 2963 | 2,159.85    |
| T92-200K-SS | 200,000 lb | 45 lb  | 2964 | 2,159.85    |



T92

### Dimensions in inches

| Capacity | A     | B    | T          |
|----------|-------|------|------------|
| 5-10K    | 4.00  | 3.50 | 1/2-20 UNF |
| 20K-25K  | 5.00  | 3.50 | 1/2-20 UNF |
| 50K      | 6.00  | 4.00 | 3/4-16 UNF |
| 100K     | 8.50  | 5.00 | 3/4-16 UNF |
| 150K     | 11.13 | 6.50 | 3/4-16 UNF |
| 200K     | 11.13 | 6.50 | 3/4-16 UNF |



## T93 Totalcomp

Interchangeable with RTI Model 93.  
3 mv/v, 350/350 ohm, 30 ft 4 wire cable, **stainless steel**. IP67.

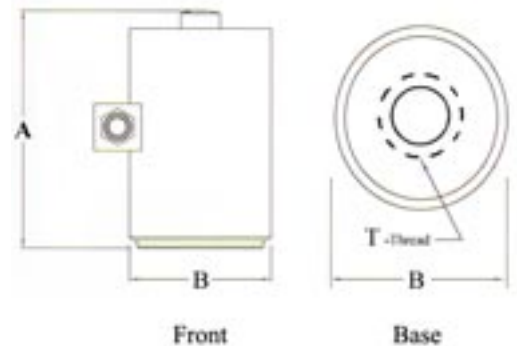
| Part Number | Capacity   | Weight | SKU  | List        |
|-------------|------------|--------|------|-------------|
| T93-5K-SS   | 5,000 lb   | 9 lb   | 2965 | \$ 1,461.08 |
| T93-10K-SS  | 10,000 lb  | 9 lb   | 2966 | 1,461.08    |
| T93-20K-SS  | 20,000 lb  | 9 lb   | 2967 | 1,492.26    |
| T93-25K-SS  | 25,000 lb  | 13 lb  | 2968 | 1,492.26    |
| T93-50K-SS  | 50,000 lb  | 13 lb  | 2969 | 1,492.26    |
| T93-100K-SS | 100,000 lb | 26 lb  | 2970 | 1,651.65    |
| T93-150K-SS | 150,000 lb | 45 lb  | 2971 | 2,159.85    |
| T93-200K-SS | 200,000 lb | 45 lb  | 2972 | 2,159.85    |



T92

### Dimensions in inches

| Capacity | A     | B    | T          |
|----------|-------|------|------------|
| 5-10K    | 4.00  | 3.50 | 1/2-20 UNF |
| 20K-25K  | 5.00  | 3.50 | 1/2-20 UNF |
| 50K      | 6.00  | 4.00 | 3/4-16 UNF |
| 100K     | 8.50  | 5.00 | 3/4-16 UNF |
| 150K     | 11.13 | 6.50 | 3/4-16 UNF |
| 200K     | 11.13 | 6.50 | 3/4-16 UNF |



Prices are subject to change without notice. Please call for current prices.

Other items are available from the manufacturers, please call for quote.

# Canister compression

Canister



RTNC3



## RTNC3 HBM

Compression load cell

2.85 mv/v, 4450/4010 ohms, **stainless steel**, IP67

4 wire cable. 1T to 15T 5m, 22T 12m, 33T 15, 47T to 68T 12m.

| Part Number  | Capacity | Weight | SKU  | List        |
|--------------|----------|--------|------|-------------|
| 1-RTNC3/1T   | 1t       | 2 lb   | 466  | \$ 1,834.00 |
| 1-RTNC3/2.2T | 2.2t     | 2 lb   | 6466 | 1,832.00    |
| 1-RTNC3/4.7T | 4.7t     | 2 lb   | 467  | 1,895.00    |
| 1-RTNC3/10T  | 10t      | 2 lb   | 468  | 1,842.00    |
| 1-RTNC3/15T  | 15t      | 2 lb   | 469  | 1,948.00    |
| 1-RTNC3/22T  | 22t      | 2 lb   | 470  | 2,052.00    |
| 1-RTNC3/33T  | 33t      | 2 lb   | 471  | 2,212.00    |
| 1-RTNC3/47T  | 47t      | 2 lb   | 472  | 2,350.00    |
| 1-RTNC3/68T  | 68t      | 2 lb   | 473  | 2,405.00    |

## RTN0.05 HBM

Compression load cell

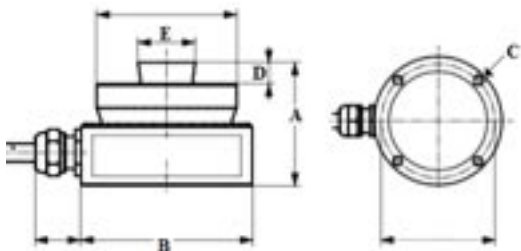
2.85 mv/v, 4450/4010 ohms, **stainless steel**, IP67

4 wire cable. 1T to 15T 5m, 22T 12m, 33T 15, 47T to 68T 12m.

| Part Number    | Capacity | Weight | SKU | List        |
|----------------|----------|--------|-----|-------------|
| 1-RTN0.05/1T   | 1t       | 2 lb   | 771 | \$ 1,712.00 |
| 1-RTN0.05/2.2T | 2.2t     | 2 lb   | 772 | 1,747.00    |
| 1-RTN0.05/4.7T | 4.7t     | 2 lb   | 773 | 1,775.00    |
| 1-RTN0.05/10T  | 10t      | 2 lb   | 774 | 1,804.00    |
| 1-RTN0.05/15T  | 15t      | 2 lb   | 775 | 1,844.00    |
| 1-RTN0.05/22T  | 22t      | 2 lb   | 776 | 1,913.00    |
| 1-RTN0.05/33T  | 33t      | 2 lb   | 777 | 2,038.00    |
| 1-RTN0.05/47T  | 47t      | 2 lb   | 778 | 2,176.00    |
| 1-RTN0.05/68T  | 68t      | 2 lb   | 779 | 2,234.00    |
| 1-RTN0.05/100T | 100t     | 15 lb  | 498 | 3,443.00    |
| 1-RTN0.05/150T | 150t     | 17 lb  | 499 | 5,212.00    |
| 1-RTN0.05/220T | 220t     | 22 lb  | 500 | 8,537.00    |



RTN



### Dimensions in mm

| Capacity  | A   | B   | C      | D   | E   |
|-----------|-----|-----|--------|-----|-----|
| 2.2t-4.7t | 43  | 60  | 4 x M5 | 7.5 | 20  |
| 10t-22t   | 50  | 75  | 4 x M5 | 6.5 | 30  |
| 33t       | 65  | 95  | 4 x M5 | 10  | 40  |
| 47t       | 75  | 130 | 4 x M5 | 14  | 60  |
| 68t       | 85  | 130 | 4 x M5 | 14  | 60  |
| 100t      | 90  | 150 | 4 x M5 | 16  | 70  |
| 150t      | 100 | 150 | 4 x M5 | 16  | 70  |
| 220t      | 130 | 225 | 4 x M5 | 24  | 100 |



Prices are subject to change without notice. Please call for current prices.

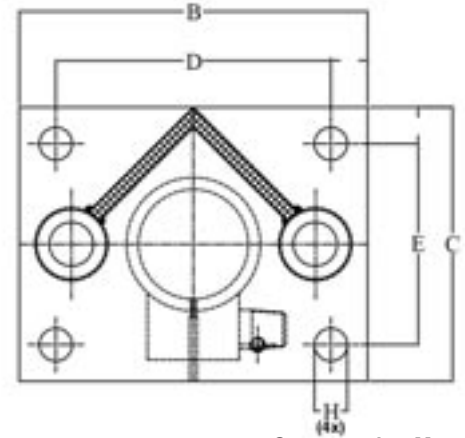
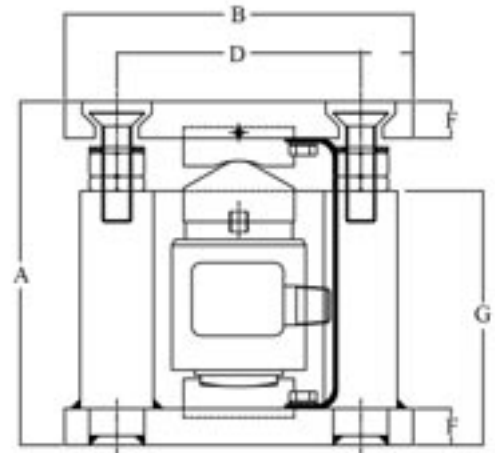
Other items are available from the manufacturers, please call for quote.

## Compression Mount Vishay

For use with RTI style CP/CSP canister load cells. Built in check rods simplify the installation and mounting. Carbon steel construction, zinc plated with chromate overcoat.

| Part Number | Capacity     | Weight | SKU  | List      |
|-------------|--------------|--------|------|-----------|
| 499050-00   | 10 to 25 ton | 70 lb  | 1795 | \$ 916.47 |
| 499051-02 * | 40 to 60 ton | 130 lb | 1796 | 1,717.98  |

\* Call for delivery. May be in stock to 3 weeks.



Compression Mount

| Capacity     | A      | B     | C     | D     | E     | F     | G    | H DIA |
|--------------|--------|-------|-------|-------|-------|-------|------|-------|
| 10 to 25 ton | 7.40"  | 7.48" | 5.90" | 5.23" | 4.33" | 0.78" | 5.47 | 0.70  |
| 40 to 60 ton | 10.74" | 9.84" | 7.87" | 7.16" | 5.90" | 1.18" | 8.22 | 0.86  |

## C2 HBM

Compression load cell, rust resistant, low overall height. 2 mv/v, 340/200-400 ohms 6 wire cable, **stainless steel**, IP67

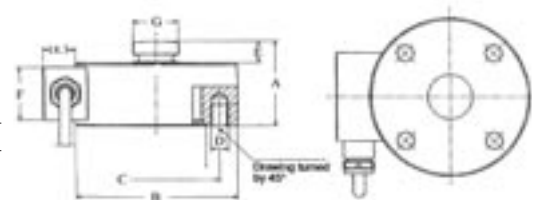
| Part Number | Capacity  | Weight  | SKU  | List        |
|-------------|-----------|---------|------|-------------|
| 1-C2/500KG  | 500 kg    | 3 lb    | 7716 | \$ 1,610.00 |
| 1-C2/1T     | 1,000 kg  | 3 lb    | 7717 | 1,610.00    |
| 1-C2/2T     | 2,000 kg  | 5.03 lb | 7033 | 2,523.00    |
| 1-C2/5T     | 5,000 kg  | 6 lb    | 7363 | 2,101.00    |
| 1-C2/10T    | 10,000 kg | 11 lb   | 7391 | 3,010.00    |
| 1-C2/20T    | 20,000 kg | 9.87 lb | 7460 | 3,010.00    |
| 1-C2/50T    | 50,000 kg | 23 lb   | 7730 | 3,182.00    |



C2/1t

## Dimensions in MM

| Capacity  | A  | B   | C   | D       | E    | F  | G  |
|-----------|----|-----|-----|---------|------|----|----|
| 0.05-1    | 30 | 50  | 42  | 4 x M5  | 7    | 20 | 13 |
| 2 and 5   | 48 | 90  | 70  | 4 x M10 | 12.5 | 30 | 25 |
| 10 and 20 | 60 | 115 | 90  | 4 x M12 | 12.5 | 30 | 32 |
| 50        | 90 | 155 | 125 | 4 x M16 | 12.5 | 30 | 44 |



Prices are subject to change without notice. Please call for current prices.

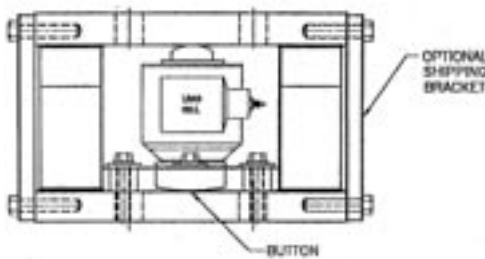
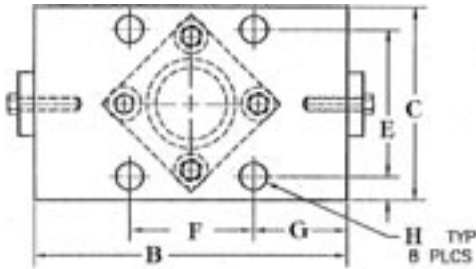
Other items are available from the manufacturers, please call for quote.

# Canister compression

Canister



WM-VI



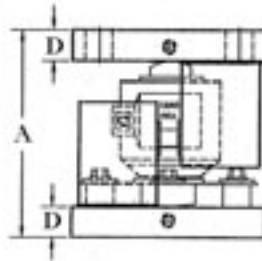
## Compression Mount Artech

For use with CP, CSP, 90210 and 90310 canister. Self checking. Mild steel, zinc plated. IP67.

| Part Number | Capacity | Weight | SKU  | List        |
|-------------|----------|--------|------|-------------|
| WM-VI-A     | 10K-50K  | 80 lb  | 7361 | \$ 1,860.00 |
| WM-VI-B     | 100K     | 140 lb | 7362 | 2,588.00    |
| WM-VI-C     | 200K     | 235 lb | 7364 | 5,007.00    |
| WM-VI-D     | 300K     | 270 lb | 7365 | 5,316.00    |
| WM-VI-E     | 500K     | 350 lb | 7709 | 7,532.00    |

### Dimensions In Inches

| Capacity | A     | B     | C     | D    | E    | F    | G    | H DIA |
|----------|-------|-------|-------|------|------|------|------|-------|
| 10K-50K  | 6.15  | 10.00 | 6.00  | 1.00 | 4.50 | 4.00 | 3.00 | 0.69  |
| 100K     | 9.00  | 11.00 | 8.00  | 1.50 | 6.00 | 4.00 | 3.50 | 0.82  |
| 200K     | 12.20 | 13.00 | 10.00 | 2.00 | 8.00 | 4.00 | 4.50 | 1.12  |
| 300K     | 12.20 | 14.00 | 10.00 | 2.00 | 8.00 | 4.00 | 5.00 | 1.12  |

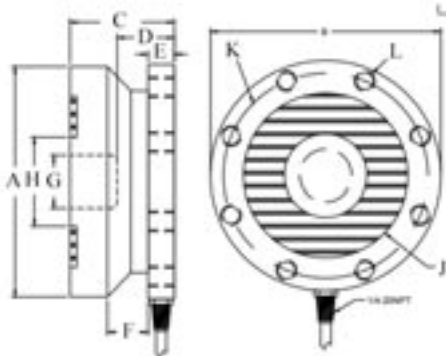


CG-JRT

## CG-JRT Coti

2 mv/v, 750/700 ohm, 50 ft 4 wire cable, alloy steel, IP67

| Part Number | Capacity   | Weight | SKU  | List        |
|-------------|------------|--------|------|-------------|
| CG-JRT-20k  | 20,000 lb  | 9 lb   | 1242 | \$ 1,039.50 |
| CG-JRT-50k  | 50,000 lb  | 14 lb  | 1242 | 1,039.50    |
| CG-JRT-75K  | 75,000 lb  | 14 lb  | 1244 | 1,270.50    |
| CG-JRT-100k | 100,000 lb | 14 lb  | 1245 | 1,270.50    |
| CG-JRT-150k | 150,000 lb | 18 lb  | 1246 | 3,959.34    |
| CG-JRT-200k | 200,000 lb | 18 lb  | 1246 | 3,959.34    |



| Capacity  | A    | B   | C    | D    | E    | F    | G    | H    | J    | K    |
|-----------|------|-----|------|------|------|------|------|------|------|------|
| 20K       | 4.42 | 4.5 | 2.0  | 1.25 | 0.50 | 0.75 | 1.00 | 1.69 | 3.27 | 3.93 |
| 50K-75k   | 5.42 | 5.5 | 2.5  | 1.50 | 0.50 | 1.00 | 1.50 | 2.19 | 3.90 | 4.76 |
| 100K      | 5.42 | 5.5 | 2.63 | 1.50 | 0.50 | 1.00 | 1.50 | 2.19 | 3.90 | 4.76 |
| 150K-200K | 5.92 | 6.0 | 3.4  | 1.90 | 0.50 | 1.40 | 2.00 | 2.64 | 4.33 | 5.30 |

Prices are subject to change without notice. Please call for current prices.

Other items are available from the manufacturers, please call for quote.



**Diaphragm Kit Emery**

Replacement Diaphragm and "O" ring kit for Emery Winslow hydraulic load cell.

| Part Number                        | Weight  | SKU  | List      |
|------------------------------------|---------|------|-----------|
| B-24746-13DK                       | 1 lb    | 283  | \$ 416.00 |
| A-23907-33DK                       | 1 lb    | 3457 | 383.00    |
| A-14662 136-75-CH load cell boot   | 0.65 lb | 3428 | 143.00    |
| B-29606 136-41.28 loading cylinder | 3.46 lb | 3429 | 169.00    |
| OR-35G RED load cell fluid-gallon  | 8 lb    | 3455 | 172.00    |



Diaphragm Kit

**Totalizer Emery**

The standard totalizer enclosure supplied is a Nema 4x FRP (fiberglass reinforced plastic) enclosure. Other materials such as painted carbon steel or stainless steel are available. Besides housing the totalizer, this enclosure also serves as the field interface box for the signal cables. A terminal strip is provided for that purpose. Dimensions are 17.43"H x 16.75"W x 12"D

| Part Number                            | Weight | SKU | List        |
|--|--------|-----|-------------|
| 181-4EM-1K Summary Totalizer w/closure | 28 lb  | 198 | \$ 4,286.00 |



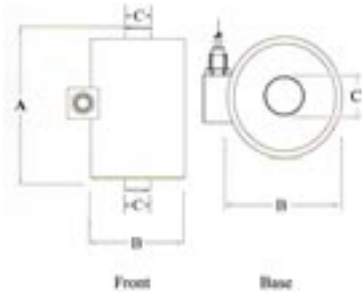
181-4EM

# Canister compression

Canister



TSCA-50K-SS



## TSCA Totalcomp

Interchangeable with Cardinal Model SCA load cell. 4" dia, 7.25" tall, 1.75" dia buttons on both ends.

2 mv/v, 1050/1050 ohm, 30 ft 4 wire cable, stainless steel. IP67.

| Part Number | Capacity  | Weight | SKU | List        |
|-------------|-----------|--------|-----|-------------|
| TSCA-50K-SS | 50,000 lb | 15 lb  | 482 | \$ 1,009.47 |

### Cap for Load button

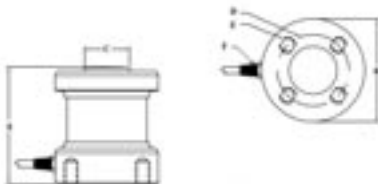
|  |      |     |       |
|--|------|-----|-------|
| 2.5" dia cap with "O" ring, for 1.75" dia button on TSCA | 1 lb | 737 | 50.00 |
|--|------|-----|-------|

### Dimensions in inches

| Capacity | A    | B    | C    |
|----------|------|------|------|
| 50K      | 7.25 | 4.50 | 2.30 |



CG-94



## CG-94 Coti Global

2 mv/v, 385/350 ohms, 50 ft 4 wire braided shield cable, alloy steel or **stainless steel**, IP67

| Part Number        | Capacity   | Weight | SKU  | List      |
|--------------------|------------|--------|------|-----------|
| <b>Alloy Steel</b> |            |        |      |           |
| CG-94-50K          | 50,000 lb  | 40 lb  | 1437 | \$ 970.20 |
| CG-94-100K         | 100,000 lb | 40 lb  | 1438 | 981.75    |
| CG-94-200K         | 200,000 lb | 60 lb  | 1439 | 1,443.75  |
| CG-94-300K         | 300,000 lb | 60 lb  | 1440 | 1,443.75  |

### Stainless Steel

|               |            |       |      |          |
|---------------|------------|-------|------|----------|
| CG-94-50K-SS  | 50,000 lb  | 40 lb | 1441 | 1,443.75 |
| CG-94-100K-SS | 100,000 lb | 40 lb | 1442 | 1,155.00 |
| CG-94-200K-SS | 200,000 lb | 60 lb | 1443 | 1,617.00 |
| CG-94-300K-SS | 300,000 lb | 60 lb | 1444 | 1,617.00 |

### Dimensions in inches

| Capacity | A    | B    | C    | D    | E             |
|----------|------|------|------|------|---------------|
| 50K      | 3.25 | 2.88 | 1.25 | 2.00 | 3/8-24 x 0.40 |
| 100K     | 5.00 | 3.94 | 2.31 | 3.00 | 1/2-20 x 0.88 |
| 200K     | 6.62 | 5.94 | 3.00 | 5.00 | 3/4-16 x 0.88 |
| 300K     | 7.00 | 5.94 | 3.00 | 5.00 | 3/4-16 x 0.88 |

## CG26S Coti Global

Interchangeable with Cardinal model SCA. Stainless steel compression cell 4" dia, 7.25" tall, 1.75" dia, button on both ends.  
2 mv/v, 1150/1050 ohms, 50 ft 4 wire cable, **stainless steel**, IP67.  
NTEP Legal for Trade 04-081

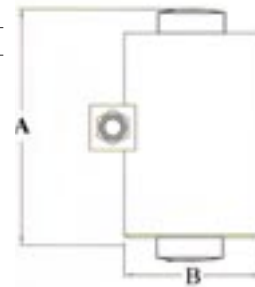
| Part Number | Capacity  | Weight | SKU  | List        |
|-------------|-----------|--------|------|-------------|
| CG26S-50K   | 50,000 lb | 15 lb  | 6440 | \$ 1,143.45 |



CG26S-50

### Dimensions in inches

| Capacity | A    | B    | C    |
|----------|------|------|------|
| 50K      | 7.25 | 4.50 | 2.30 |



Front



Base

## CG26S3 Coti Global

Interchangeable with Totalcomp model TC-C2P1 and BLH C2P1. **Stainless steel** compression cell.  
2 mV/V, 385 ohm input, 350 ohm output, 50 ft 4 wire cable, **stainless steel**, IP67.

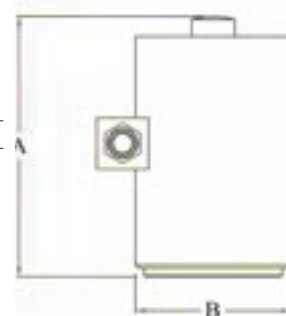
| Part Number | Capacity   | Dia  | Ht    | Weight | SKU  | List        |
|-------------|------------|------|-------|--------|------|-------------|
| CG26S3-20K  | 20,000 lb  | 4.5" | 7.5"  | 23 lb  | 2053 | \$ 1,617.00 |
| CG26S3-50K  | 50,000 lb  | 4.5" | 7.5"  | 24 lb  | 2326 | 1,617.00    |
| CG26S3-100K | 100,000 lb | 6.0" | 9.3"  | 44 lb  | 2057 | 1,848.50    |
| CG26S3-200K | 200,000 lb | 8.0" | 11.6" | 99 lb  | 2058 | 2,656.50    |



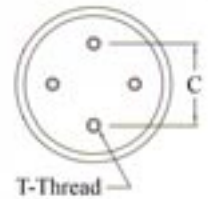
CG26S3-50K

### Dimensions in inches

| Capacity | A      | B    | C    | T          |
|----------|--------|------|------|------------|
| 20K-50K  | 7.500  | 4.50 | 2.38 | 3/8-24 UNF |
| 100K     | 9.125  | 6.00 | 4.00 | 1/2-20 UNF |
| 200K     | 11.625 | 8.00 | 5.50 | 5/8-18 UNF |



Front



Base

Prices are subject to change without notice. Please call for current prices.

Other items are available from the manufacturers, please call for quote.



RC1

## RC1 Flintec

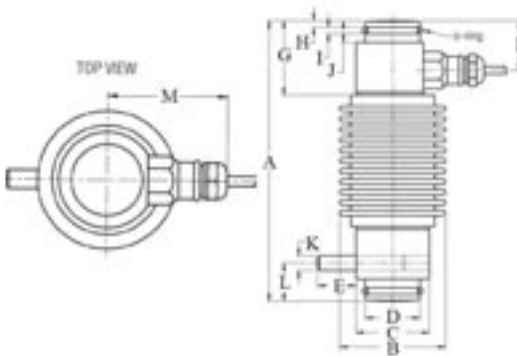
Interchangeable with Totalcomp TRC1. Stainless steel, rocker column, compression cell, sealed to IP68.

2 mv/v, 400 ohm input, 351 ohm output, 4 wire cable, 12m for RC1-250kN, 16m for RC1-400kN, 18m for RC1-600 and 900kN, stainless steel, IP68(up to 2m water depth)/ IP69K.

| Part Number | Capacity   | Weight | SKU  | List      |
|-------------|------------|--------|------|-----------|
| RC1-250kN   | 56,000 lb  | 4 lb   | 4307 | \$ 826.00 |
| RC1-400kN   | 90,000 lb  | 7 lb   | 4308 | 1,063.00  |
| RC1-600kN   | 135,000 lb | 8 lb   | 4309 | 1,720.00  |
| RC1-900kN   | 200,000 lb | 8 lb   | 4310 | 2,095.00  |

### Dimensions in inches

| Capacity | A    | B    | C    | D    | E    | F    | G    | H    |
|----------|------|------|------|------|------|------|------|------|
| 250kN    | 7.55 | 2.83 | 1.97 | 1.46 | 1.30 | 1.34 | 2.00 | 0.18 |
| 400kN    | 8.85 | 3.35 | 2.51 | 1.46 | 1.02 | 1.42 | 2.24 | 0.18 |
| 600kN    | 8.85 | 3.35 | 2.51 | 2.18 | 1.02 | 1.42 | 2.24 | 0.18 |
| 900kN    | 8.85 | 3.35 | 2.51 | 2.18 | 1.02 | 1.42 | 2.24 | 0.18 |



### Dimensions in inches

| Capacity | I    | J    | K    | L    | M    |
|----------|------|------|------|------|------|
| 250kN    | 0.18 | 0.59 | 0.39 | 1.02 | 2.44 |
| 400kN    | 0.18 | 0.63 | 0.39 | 1.02 | 2.72 |
| 600kN    | 0.18 | 0.63 | 0.39 | 1.02 | 2.72 |
| 900kN    | 0.18 | 0.63 | 0.39 | 1.02 | 2.72 |



TRC1

## TRC1 Totalcomp

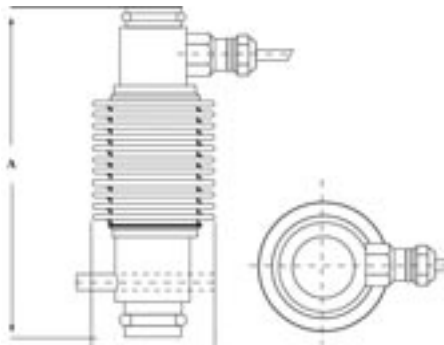
Interchangeable with Flintec RC1 used in Fairbanks truck scales. Alloy steel, rocker column, compression cell, sealed to IP67.

2 mv/v, 385 ohm input, 350 ohm output, 50 ft 4 wire cable, nickel plated steel, IP67.

| Part Number      | Capacity  | Weight | SKU  | List      |
|------------------|-----------|--------|------|-----------|
| TRC1-56K (250kN) | 56,000 lb | 6 lb   | 2078 | \$ 877.00 |
| TRC1-90K (400kN) | 90,000 lb | 15 lb  | 2079 | 1,508.00  |

### Dimensions in inches

| Capacity | A    | B    |
|----------|------|------|
| 56K      | 7.50 | 2.83 |
| 90K      | 8.86 | 3.35 |



## BM14G Zemic

Hermetically sealed rocker pin.

2 mv/v, 700 ohm input, 703 ohm output, 15m 4 wire cable, **stainless steel**, IP68

NTEP Legal for Trade 10-087

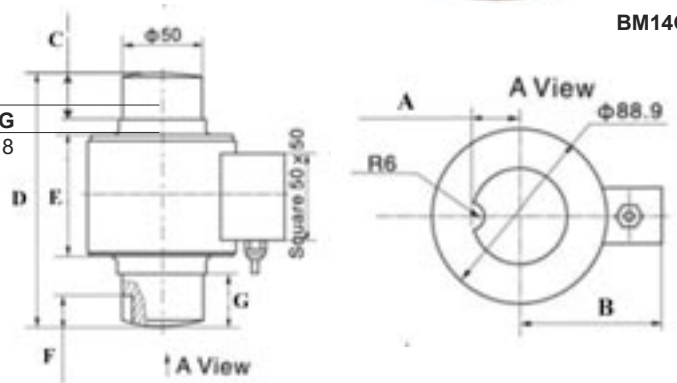
| Part Number         | Capacity | Weight | SKU  | List      |
|---------------------|----------|--------|------|-----------|
| BM14G-C3-10t-15B-SC | 10 t     | 10 lb  | 2106 | \$ 582.00 |
| BM14G-C3-20t-15B-SC | 20 t     | 10 lb  | 2107 | 582.00    |
| BM14G-C3-30t-15B-SC | 30 t     | 10 lb  | 2108 | 582.00    |
| BM14G-C3-40t-15B-SC | 40 t     | 10 lb  | 2109 | 582.00    |
| BM14G-C3-50t-15B-SC | 50 t     | 10 lb  | 2110 | 582.00    |



BM14G

### Dimensions in inches

| Capacity | A    | B    | C    | D    | E    | F    | G    |
|----------|------|------|------|------|------|------|------|
| 10t-50t  | 0.98 | 3.42 | 1.18 | 5.90 | 2.75 | 0.47 | 1.18 |



## CG-26S7 Coti

Hermetically sealed rocker column. Interchangeable with Toledo 0782.

2 mv/v, 1,160 ohm input, 1,000 ohm output, 50 ft 4 wire cable, **stainless steel**, IP67

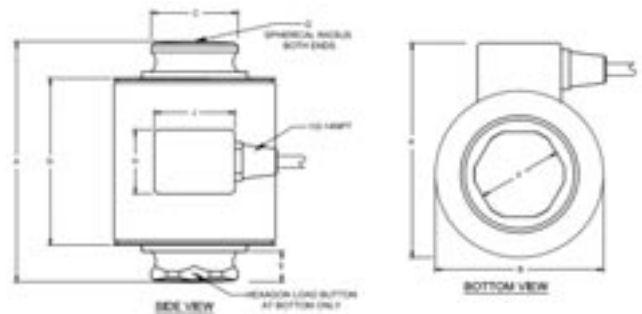
NTEP Legal for Trade

| Part Number     | Capacity | Weight  | SKU  | List      |
|-----------------|----------|---------|------|-----------|
| CG-26S7-20t     | 20 t     | 9.99 lb | 1725 | \$ 924.00 |
| CG-26S7-30t     | 30 t     | 9.99 lb | 1726 | 924.00    |
| CG-26S7-30t-797 | 30 t     | 9.99 lb | 1727 | 981.75    |
| CG-26S7-50t     | 50 t     | 9.99 lb | 1728 | 924.00    |
| CG-26S7-50t-797 | 50 t     | 9.99 lb | 1729 | 931.75    |
| CG-26S7-100t    | 100 t    | 9.99 lb | 1730 | 1,386.00  |



CG26S7

| RATED CAPACITY | DIMENSIONS |      |      |      |      |      |       |      |      |      |      |
|----------------|------------|------|------|------|------|------|-------|------|------|------|------|
|                | A          | B    | C    | D    | E    | F    | G     | H    | J    | K    | L    |
| 20t-30t        | 5.91       | 2.99 | 1.49 | 4.10 | 0.75 | 1.40 | 6.30  | 1.57 | 1.97 | 1.12 | 3.75 |
| 30t-797        | 7.97       | 2.99 | 1.49 | 6.17 | 0.75 | 1.40 | 12.00 | 1.57 | 1.97 | 4.12 | 3.75 |
| 50t            | 5.91       | 2.99 | 1.49 | 4.10 | 0.75 | 1.40 | 12.00 | 1.57 | 1.97 | 4.12 | 3.75 |
| 50t-797        | 7.97       | 2.99 | 1.49 | 6.17 | 0.75 | 1.40 | 12.00 | 1.57 | 1.97 | 4.12 | 3.75 |
| 100t           | 5.91       | 4.02 | 2.12 | 4.10 | 0.75 | 1.99 | 12.00 | 1.57 | 1.97 | 5.10 | 3.54 |

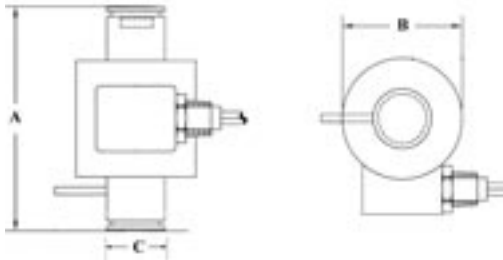


Prices are subject to change without notice. Please call for current prices.

Other items are available from the manufacturers, please call for quote.



CG26S2



## CG-26S2 Coti Global

Interchangeable with Flintec RC1-250 kN. Stainless steel, rocker column, compression cell.  
2 mv/v, 350 ohm input, 350 ohm output, 50 ft 4 wire cable, **stainless steel**, IP67  
NTEP Legal for Trade 04-081

| Part Number       | Capacity  | Weight | SKU  | List      |
|-------------------|-----------|--------|------|-----------|
| CG262-56K (250kN) | 56,000 lb | 15 lb  | 6512 | \$ 918.23 |

### Dimensions in inches

| Capacity | A    | B    | C    |
|----------|------|------|------|
| 56K      | 7.65 | 3.00 | 1.46 |



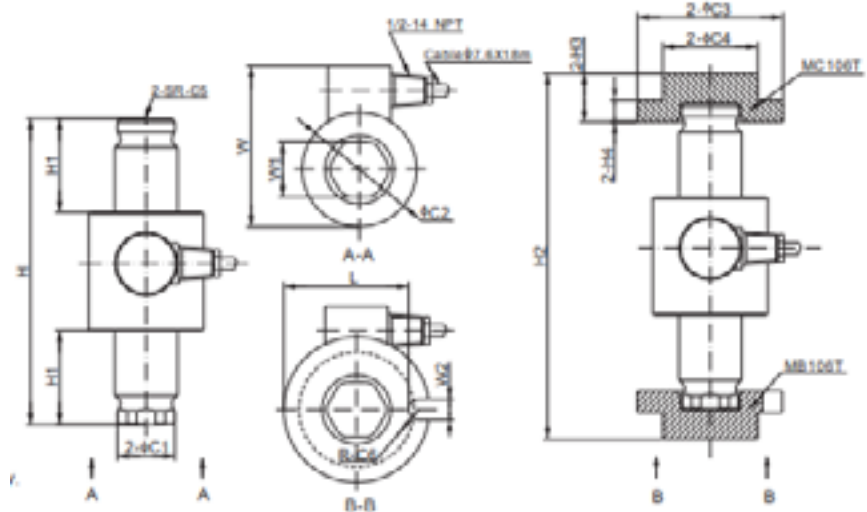
CG26S2



## 106TS Anyload

Interchangeable with Mettler Toledo Power Cell 760/MTX. Stainless steel, rocker column, compression cell.  
2 mv/v, 1150 ohm input, 1000 ohm output, 18m 4 wire cable, **stainless steel**, IP68  
NTEP Legal for Trade 1:10,000 IIII

| Part Number     | Capacity   | Weight  | SKU  | List      |
|-----------------|------------|---------|------|-----------|
| 106TS-100Klb-YZ | 100,000 lb | 8.93 lb | 6552 | \$ 914.00 |



| RATED CAPACITY     | C1   | C2   | C3   | C4   | C5    | C6   | H     | H1   | H2    | H3   | H4   | L    | W     | W1   | W2   |
|--------------------|------|------|------|------|-------|------|-------|------|-------|------|------|------|-------|------|------|
| <b>Kilobinches</b> |      |      |      |      |       |      |       |      |       |      |      |      |       |      |      |
| 50-100             | 1.48 | 2.95 | 3.74 | 2.44 | 11.02 | 0.27 | 7.88  | 2.43 | 9.41  | 1.25 | 0.56 | 3.21 | 4.13  | 1.41 | 0.53 |
| <b>l/mm</b>        |      |      |      |      |       |      |       |      |       |      |      |      |       |      |      |
| SE30               | 37.7 | 75.0 | 95.0 | 62.0 | 160.0 | 6.75 | 150.0 | 37.0 | 189.0 | 31.8 | 14.3 | 81.5 | 105.0 | 35.7 | 13.5 |
| 30                 | 37.7 | 75.0 | 95.0 | 62.0 | 280.0 | 6.75 | 200.0 | 61.7 | 239.0 | 31.8 | 14.3 | 81.5 | 109.0 | 35.7 | 13.5 |

## GF-11 General Sensor

Low profile. Easy to install and use. Innovative design patented cross bridge load cell. Strong for direction side force resistance and overload protection. For electronic truck scale, railroad scale and large capacity hopper scales. Hercules truck scale replacement load cell.

2 mv/v, 350/350 ohms, 50 ft 4 wire cable, alloy steel, IP67  
NTEP Legal for Trade 12-046

| Part Number | Capacity  | Weight | SKU  | List      |
|-------------|-----------|--------|------|-----------|
| GF-11-50K   | 50,000 lb | 36 lb  | 7533 | \$ 942.00 |
| GF-11-60K   | 60,000 lb | 36 lb  | 7534 | 942.00    |
| GF-11-75K   | 75,000 lb | 36 lb  | 7535 | 942.00    |

| Capacity | A    | B    | C    | D    | E    | F    | G    | H    |
|----------|------|------|------|------|------|------|------|------|
| 50K      | 6.80 | 6.22 | 4.88 | 6.22 | 4.88 | 0.79 | 3.03 | 1.38 |
| 60K      | 6.80 | 6.22 | 4.88 | 6.22 | 4.88 | 0.79 | 3.03 | 1.38 |
| 75K      | 6.80 | 6.22 | 4.88 | 6.22 | 4.88 | 0.79 | 3.03 | 1.38 |

### Dimensions in inches

| Capacity | I        | J        | K        | L        | M    | N        |
|----------|----------|----------|----------|----------|------|----------|
| 50K      | 0.86 dia | 1.18 dia | 2.75 dia | 2.00 dia | 0.43 | 3.54 dia |
| 60K      | 0.86 dia | 1.18 dia | 2.75 dia | 2.00 dia | 0.43 | 3.54 dia |
| 75K      | 0.86 dia | 1.18 dia | 2.75 dia | 2.00 dia | 0.43 | 3.54 dia |

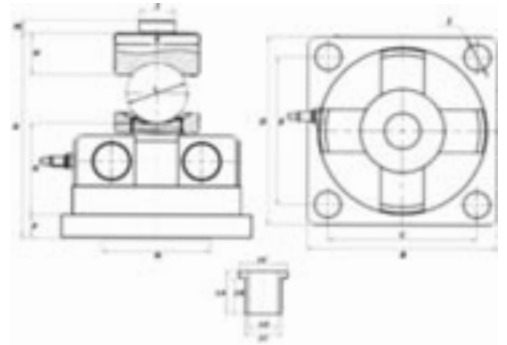
### (4 sleeve inserts)

### Dimensions in inches

| Capacity | 1A   | 1B   | 1C   | 1D   | 1E   |
|----------|------|------|------|------|------|
| 50K      | 0.98 | 0.82 | 0.82 | 0.67 | 1.10 |
| 60K      | 0.98 | 0.82 | 0.82 | 0.67 | 1.10 |
| 75K      | 0.98 | 0.82 | 0.82 | 0.67 | 1.10 |



GF-11



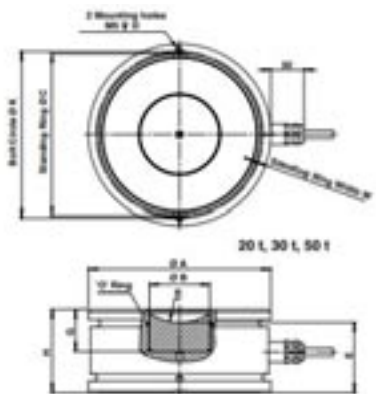
## 220 Tedeá

1.5 mv/v, 1,065 ohm input, 1,025 ohm output,  
5m 6 wire cable on 5t  
10m 6 wire cable on 10t & 20t  
20m 6 wire cable on 30t & 50t  
IP68 stainless steel hermetically sealed  
NTEP Legal for Trade 10,000g  
Factory Mutual approved for intrinsic safety

| Part Number | Capacity  | Weight | SKU  | List        |
|-------------|-----------|--------|------|-------------|
| 220-5t      | 5,000 kg  | 5 lb   | 1940 | \$ 1,045.00 |
| 220-10t     | 10,000 kg | 5 lb   | 1941 | 1,045.00    |
| 220-20t     | 20,000 kg | 8 lb   | 1942 | 1,195.48    |
| 220-30t     | 30,000 kg | 8 lb   | 1943 | 1,277.00    |
| 220-50t     | 50,000 kg | 12 lb  | 1944 | 1,958.33    |



220



Prices are subject to change without notice. Please call for current prices.

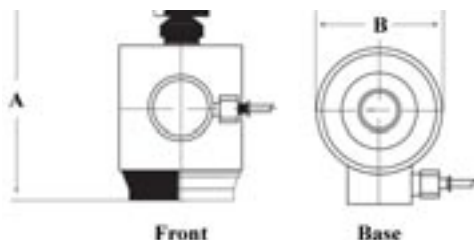
Other items are available from the manufacturers, please call for quote.

# Canister compression

Canister



120



## 120 Tedea

**Stainless steel** housing, includes zinc plated steel rocker mounting components, high capacity compression cell  
1.5 mv/v, 670/605 ohms, 15m 6 wire cable, IP67

| Part Number | Capacity  | Weight | SKU  | List      |
|-------------|-----------|--------|------|-----------|
| 120-5t      | 5,000 kg  | 15 lb  | 6032 | \$ 581.02 |
| 120-10t     | 10,000 kg | 15 lb  | 6033 | 581.02    |
| 120-20t     | 20,000 kg | 15 lb  | 6034 | 701.20    |
| 120-30t     | 30,000 kg | 15 lb  | 6035 | 701.20    |
| 120-50t     | 50,000 kg | 15 lb  | 6036 | 701.20    |

### Dimensions in inches

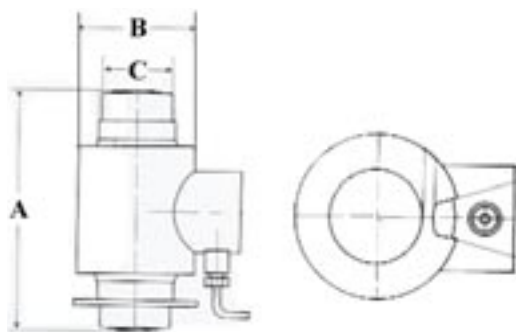
| Capacity | A    | B    |
|----------|------|------|
| 5-30t    | 6.66 | 3.46 |
| 50t      | 6.71 | 3.46 |

## DC16 Diamond

Interchangeable with HBM C16. Stainless steel, rocker column, compression cell, sealed to IP68 washdown cleaning.  
2 mv/v, 700/700 ohms, 12m 6 wire cable, **stainless steel**, IP68.



DC16



| Part Number | Capacity   | Weight | SKU  | List      |
|-------------|------------|--------|------|-----------|
| DC16-10t    | 10,000 kg  | 6 lb   | 7246 | \$ 567.00 |
| DC16-15t    | 15,000 kg  | 6 lb   | 7247 | 567.00    |
| DC16-20t    | 20,000 kg  | 6 lb   | 7248 | 596.00    |
| DC16-30t    | 30,000 kg  | 6 lb   | 7249 | 596.00    |
| DC16-40t    | 40,000 kg  | 6 lb   | 7250 | 596.00    |
| DC16-50t    | 50,000 kg  | 8 lb   | 7251 | 622.00    |
| DC16-60t    | 60,000 kg  | 8 lb   | 7252 | 622.00    |
| DC16-100t   | 100,000 kg | 30 lb  | 7253 | 884.00    |

### Dimensions in inches

| Capacity | A     | B    | C    |
|----------|-------|------|------|
| 0-15t    | 5.12  | 3.00 | 1.73 |
| 20t      | 8.27  | 3.00 | 1.73 |
| 30t-40t  | 5.91  | 3.00 | 1.73 |
| 50t-60t  | 8.27  | 3.00 | 1.73 |
| 100t     | 10.24 | 3.74 | 2.52 |



## 65114 Sensortronics

Stainless steel, rocker column, compression cell for use in Thurman and Fairbanks truck scales  
 2 mv/v, 1000/1000 ohms, 30 ft 4 wire cable, **stainless steel**, IP67  
 NTEP Legal for Trade 97-081

| Part Number     | Height | Capacity  | Weight | SKU  | List      |
|-----------------|--------|-----------|--------|------|-----------|
| 65114S-50K-1000 | 6.00"  | 50,000 lb | 5 lb   | 2281 | \$ 969.76 |

### Hermetic glass to metal seal

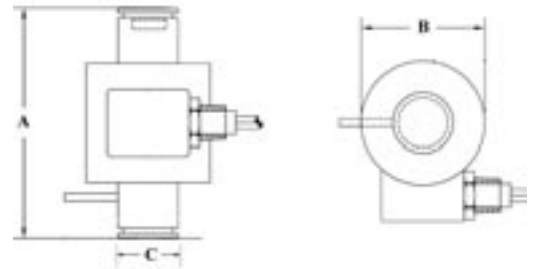
|                  |       |           |      |      |          |
|------------------|-------|-----------|------|------|----------|
| 65114S-50K-1000H | 6.00" | 50,000 lb | 5 lb | 2585 | 990.66   |
| 65114S-50K-1500H | 7.56" | 50,000 lb | 6 lb | 2586 | 1,304.16 |

### Dimensions in inches

| Capacity | A    | B    | C    |
|----------|------|------|------|
| 50K      | 6.00 | 3.00 | 1.46 |
| 100K     | 8.86 | 3.00 | 1.46 |



65114S



## ASC Revere

Stainless steel, rocker column, compression cell.  
 2mV/V, 700/700 ohms, 49 ft 4 wire cable, **stainless steel**, hermetically sealed, IP69K  
 NTEP Legal for Trade 05-092  
 OIML R60 C6.

| Part Number     | Capacity | Nominal    | Weight | SKU  | List      |
|-----------------|----------|------------|--------|------|-----------|
| ASC-030t-C3-01X | 30t      | 60,000 lb  | 10 lb  | 6663 | \$ 704.33 |
| ASC-040t-C3-01X | 40t      | 80,000 lb  | 10 lb  | 6667 | 704.33    |
| ASC-050t-C3-01X | 50t      | 100,000 lb | 10 lb  | 6668 | 704.33    |
| ASC-060t-B1-00X | 60t      | 120,000 lb | 10 lb  | 6666 | 704.33    |

### Service parts

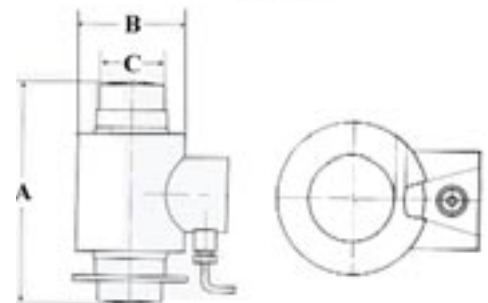
|                            |  |  |      |      |        |
|----------------------------|--|--|------|------|--------|
| 799863-00 mount self align |  |  | 5 lb | 6669 | 108.00 |
|----------------------------|--|--|------|------|--------|

### Dimensions in inches

| Capacity | A    | B    | C    |
|----------|------|------|------|
| 30t-50t  | 5.90 | 3.50 | 2.12 |



ASC



Prices are subject to change without notice. Please call for current prices.

Other items are available from the manufacturers, please call for quote.

# Canister tension

Canister

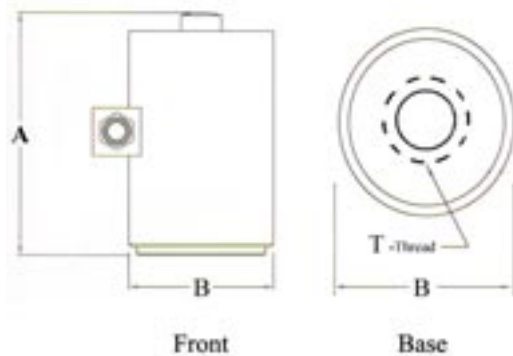


USP1

## USP1 Revere, Universal Super Precision

Both tension and compression loads.  
3 mv/v, 350/350 ohm, 30 ft 4 wire cable, painted steel. IP67.

| Part Number     | Capacity | Weight | SKU | List        |
|-----------------|----------|--------|-----|-------------|
| USP1-D3-1K-30P5 | 1,000 lb | 6 lb   | 36  | \$ 3,817.00 |



### Dimensions in inches

| Capacity | A     | B    | C            |
|----------|-------|------|--------------|
| 100      | 3.32  | 2.00 | 3/8-24 UNF   |
| 250      | 4.45  | 2.50 | 3/8-24 UNF   |
| 500-1K   | 4.45  | 2.87 | 1/2-20 UNF   |
| 2.5K     | 3.00  | 2.87 | 1/2-20 UNF   |
| 5K-10K   | 5.75  | 3.50 | 1-14 UNS     |
| 25K      | 8.38  | 4.00 | 1 1/2-12 UNF |
| 50K      | 11.44 | 6.00 | 2-12 UNF     |
| 100K     | 17.75 | 9.00 | 3-8 UNF      |



TUSP1

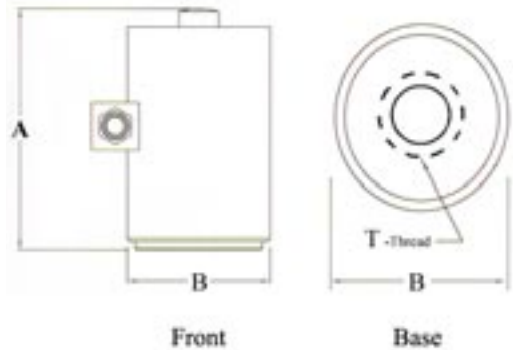
## TUSP1 Totalcomp

Interchangeable with Revere Model USP.  
3 mv/v, 350/350 ohm, 30 ft 4 wire cable, **stainless steel**. IP67.

| Part Number        | Capacity   | Weight | SKU  | List        |
|--------------------|------------|--------|------|-------------|
| TUSP1-250-SS       | 250 lb     | 6 lb   | 387  | \$ 1,397.00 |
| TUSP1-500-SS       | 500 lb     | 5 lb   | 1872 | 1,397.00    |
| TUSP1-1K-SS        | 1,000 lb   | 6 lb   | 1873 | 1,397.00    |
| TUSP1-1K-50-SS **  | 1,000 lb   | 7 lb   | 265  | 1,443.75    |
| TUSP1-2.5K-SS      | 2,500 lb   | 5 lb   | 1874 | 1,397.55    |
| TUSP1-2.5K-HT-SS * | 2,500 lb   | 5 lb   | 492  | 3,142.00    |
| TUSP1-5K-SS        | 5,000 lb   | 9 lb   | 1875 | 1,715.18    |
| TUSP1-10K-SS       | 10,000 lb  | 10 lb  | 1876 | 1,715.18    |
| TUSP1-25K-SS       | 25,000 lb  | 21 lb  | 1877 | 2,195.15    |
| TUSP1-50K-SS       | 50,000 lb  | 44 lb  | 1878 | 2,922.15    |
| TUSP1-100K-SS      | 100,000 lb | 106 lb | 1556 | 6,987.75    |

\* High Temperature 400 deg F w/50 ft cable

\*\* 50 ft cable



### Dimensions in inches

| Capacity | A     | B    | C            |
|----------|-------|------|--------------|
| 100      | 3.32  | 2.00 | 3/8-24 UNF   |
| 250      | 4.45  | 2.50 | 3/8-24 UNF   |
| 500-1K   | 4.45  | 2.50 | 1/2-20 UNF   |
| 2.5K     | 3.00  | 2.25 | 1/2-20 UNF   |
| 5K-10K   | 5.75  | 3.00 | 1-14 UNS     |
| 25K      | 8.38  | 4.00 | 1 1/2-12 UNF |
| 50K      | 11.44 | 6.25 | 2-12 UNF     |
| 100K     | 17.75 | 9.00 | 3-8 UNF      |

Prices are subject to change without notice. Please call for current prices.

Other items are available from the manufacturers, please call for quote.

## T3P1 BLH

3 mv/v, 350/350 ohm, 35 ft 4 wire cable, painted steel, IP67.

| Part Number | Mfg.   | Capacity  | Weight | SKU | List        |
|-------------|--------|-----------|--------|-----|-------------|
| T3P1-500    | 464912 | 500 lb    | 6 lb   | 51  | \$ 2,646.00 |
| T3P1-1K     | 464913 | 1,000 lb  | 6 lb   | 52  | 2,646.00    |
| T3P1-2K     | 464914 | 2,000 lb  | 6 lb   | 53  | 2,646.00    |
| T3P1-3K     | 464915 | 3,000 lb  | 6 lb   | 54  | 2,646.00    |
| T3P1-5K     | 464922 | 5,000 lb  | 10 lb  | 55  | 2,747.00    |
| T3P1-10K    | 464923 | 10,000 lb | 10 lb  | 56  | 2,747.00    |

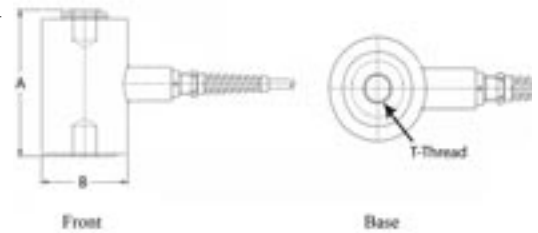


T3P1



### Dimensions in inches

| Capacity | A       | B    | T          |
|----------|---------|------|------------|
| 500-3K   | 4 9/16  | 3.50 | 1/2-20 UNF |
| 5K-10K   | 5 15/16 | 3.50 | 1-14 UNS   |



## T2P1 BLH

2 mv/v, 350/350 ohm, 35 ft 4 wire cable, painted steel. IP67.

| Part Number | Mfg.   | Capacity   | Weight | SKU | List        |
|-------------|--------|------------|--------|-----|-------------|
| T2P1-20K    | 464781 | 20,000 lb  | 30 lb  | 368 | \$ 3,964.00 |
| T2P1-50K    | 464782 | 50,000 lb  | 60 lb  | 369 | 4,002.00    |
| T2P1-100K   | 464783 | 100,000 lb | 100 lb | 370 | 16,898.00   |

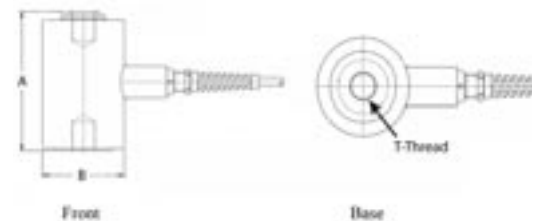


T2P1



### Dimensions in inches

| Capacity | A     | B    | T            |
|----------|-------|------|--------------|
| 20K      | 8.50  | 5.00 | 1 1/2-12 UNF |
| 50K      | 11.43 | 6.50 | 2-12 UNF     |
| 100K     | 17.75 | 9.00 | 3-8 UNF      |



Prices are subject to change without notice. Please call for current prices.

Other items are available from the manufacturers, please call for quote.



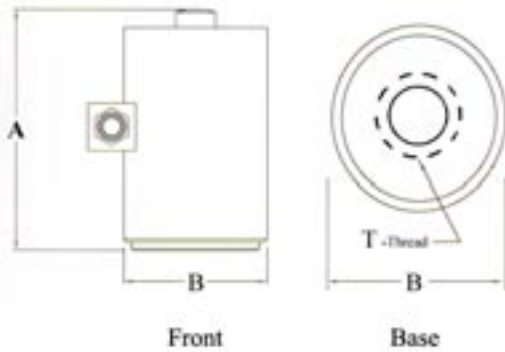
TC3P1

## TC3P1 Totalcomp

Interchangeable with BLH Model T3P1.

3 mv/v, 350/350 ohm, 30 ft 4 wire cable, **stainless steel**. IP67.

| Part Number  | Capacity  | Weight | SKU  | List        |
|--------------|-----------|--------|------|-------------|
| TC3P1-500-SS | 500 lb    | 10 lb  | 1879 | \$ 1,175.21 |
| TC3P1-1K-SS  | 1,000 lb  | 10 lb  | 1880 | 1,175.21    |
| TC3P1-2K-SS  | 2,000 lb  | 10 lb  | 1881 | 1,175.21    |
| TC3P1-3K-SS  | 3,000 lb  | 10 lb  | 1882 | 1,175.21    |
| TC3P1-5K-SS  | 5,000 lb  | 21 lb  | 1883 | 1,334.03    |
| TC3P1-10K-SS | 10,000 lb | 21 lb  | 1884 | 1,334.03    |



### Dimensions in inches

| Capacity | A    | B    | T          |
|----------|------|------|------------|
| 500-3K   | 4.56 | 3.00 | 1/2-20 UNF |
| 5K-10K   | 5.94 | 3.50 | 1-14 UNF   |



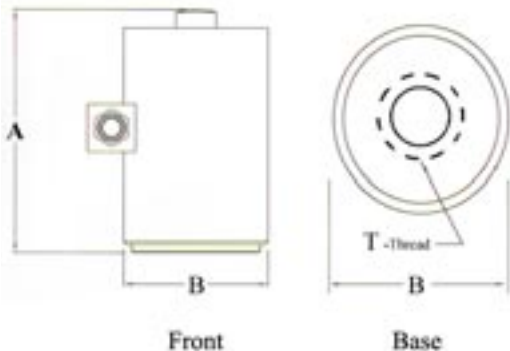
TT2P1

## TT2P1 Totalcomp

Interchangeable with BLH Model T2P1.

2 mv/v, 350/350 ohm, 30 ft 4 wire cable, **stainless steel**. IP67

| Part Number  | Capacity  | Weight | SKU  | List        |
|--------------|-----------|--------|------|-------------|
| TT2P1-20K-SS | 20,000 lb | 21 lb  | 1890 | \$ 1,588.13 |
| TT2P1-50K-SS | 50,000 lb | 56 lb  | 1891 | 2,032.80    |



### Dimensions in inches

| Capacity | A     | B    | T            |
|----------|-------|------|--------------|
| 20K      | 8.50  | 5.00 | 1 1/2-12 UNF |
| 50K      | 11.44 | 6.50 | 2-12 UNF     |

## T42 Totalcomp

Interchangeable with RTI Model 42.  
2 mv/v, 350/350 ohm, 30 ft 4 wire cable, **stainless steel**, IP67.

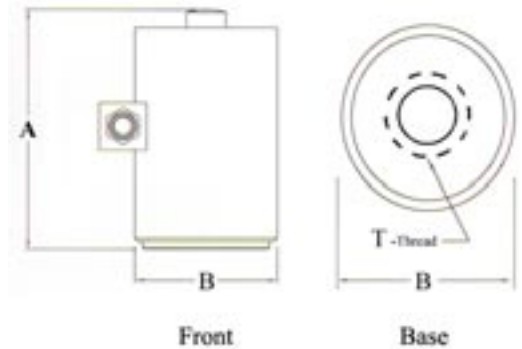
| Part Number | Capacity   | Weight | SKU  | List        |
|-------------|------------|--------|------|-------------|
| T42-5K-SS   | 5,000 lb   | 12 lb  | 3141 | \$ 1,334.03 |
| T42-10K-SS  | 10,000 lb  | 12 lb  | 3142 | 1,334.03    |
| T42-20K-SS  | 20,000 lb  | 18 lb  | 3143 | 1,588.13    |
| T42-50K-SS  | 50,000 lb  | 45 lb  | 3144 | 2,032.80    |
| T42-100K-SS | 100,000 lb | 45 lb  | 3145 | 2,032.80    |
| T42-200K-SS | 200,000 lb | 125 lb | 3146 | 2,731.58    |
| T42-250K-SS | 250,000 lb | 125 lb | 3147 | 2,731.58    |



T42

### Dimensions in inches

| Capacity | A     | B    | T            |
|----------|-------|------|--------------|
| 5-10K    | 5.90  | 3.50 | 1-14 UNF     |
| 20K      | 8.50  | 5.00 | 1-1/2-12 UNF |
| 50K      | 11.44 | 6.50 | 1-1/2-12 UNF |
| 100K     | 11.44 | 6.50 | 2-12 UNF     |
| 200K     | 16.25 | 8.00 | 2-1/2-12 UNF |



## T43 Totalcomp

Interchangeable with RTI Model 43.  
3 mv/v, 350/350 ohm, 30 ft 4 wire cable, **stainless steel**, IP67.

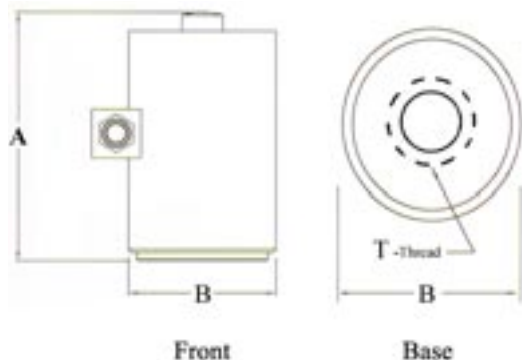
| Part Number | Capacity   | Weight | SKU  | List        |
|-------------|------------|--------|------|-------------|
| T43-5K-SS   | 5,000 lb   | 12 lb  | 3148 | \$ 1,334.03 |
| T43-10K-SS  | 10,000 lb  | 12 lb  | 3149 | 1,334.03    |
| T43-20K-SS  | 20,000 lb  | 18 lb  | 3150 | 1,588.13    |
| T43-50K-SS  | 50,000 lb  | 45 lb  | 3151 | 2,032.80    |
| T43-100K-SS | 100,000 lb | 45 lb  | 3152 | 2,032.80    |
| T43-200K-SS | 200,000 lb | 125 lb | 3153 | 2,731.58    |
| T43-250K-SS | 250,000 lb | 125 lb | 3154 | 2,731.58    |



T43

### Dimensions in inches

| Capacity  | A     | B    | T            |
|-----------|-------|------|--------------|
| 5-10K     | 5.94  | 3.50 | 1-14 UNF     |
| 20K       | 8.50  | 5.00 | 1-1/2-12 UNF |
| 50K       | 11.44 | 6.50 | 1-1/2-12 UNF |
| 100K      | 11.44 | 6.50 | 2-12 UNF     |
| 200K-250K | 16.25 | 8.00 | 2-1/2-12 UNF |



Prices are subject to change without notice. Please call for current prices.

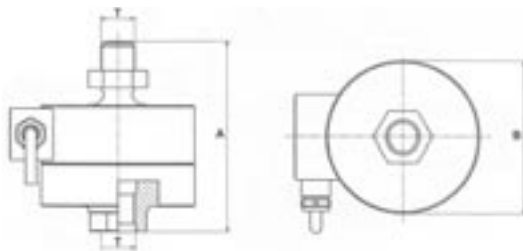
Other items are available from the manufacturers, please call for quote.

# Canister tension

Canister



U2A



## U2A HBM

Tension loads

2 mv/v, 340-450/356 ohm, 3 m 6 wire cable, **stainless steel**, IP67.

| Part Number   | Capacity | Weight  | SKU  | List        |
|---------------|----------|---------|------|-------------|
| 1-U2AD1/500KG | 500 kg   | 4 lb    | 6326 | \$ 1,935.00 |
| 1-U2AD1/1T    | 1 t      | 4 lb    | 6394 | 1,877.00    |
| 1-U2AD1/2T    | 2 t      | 8 lb    | 6364 | 2,576.00    |
| 1-U2AD1/5T    | 5 t      | 12 lb   | 6395 | 2,946.00    |
| 1-U2A/10T     | 10 t     | 27.3 lb | 6350 | 4,738.00    |
| 1-U2A/20T     | 20 t     | 32.0 lb | 6348 | 6,515.00    |

### Mounting accessories

#### Knuckle eye ZGOW female

|              |             |        |      |          |
|--------------|-------------|--------|------|----------|
| U2A/1T/ZGOW  | 50kg to 1 t | 0.4 lb | 4810 | 136.00   |
| U2A/2T/ZGOW  | 2 t         | 1.0 lb | 4811 | 248.00   |
| U2A/5T/ZGOW  | 5 t         | 1.6 lb | 4812 | 347.00   |
| U2A/10T/ZGOW | 10 t        | 6.4 lb | 4813 | 2,427.00 |
| U2A/20T/ZGOW | 20 t        | 9.6 lb | 4814 | 4,056.00 |

### Mounting accessories

#### Knuckle eye ZGUW male Mounting accessories

|              |             |        |      |          |
|--------------|-------------|--------|------|----------|
| U2A/1T/ZGUW  | 50kg to 1 t | 0.2 lb | 4815 | 203.00   |
| U2A/2T/ZGUW  | 2 t         | 0.4 lb | 4816 | 296.00   |
| U2A/5T/ZGUW  | 5 t         | 0.8 lb | 4817 | 402.00   |
| U2A/10T/ZGUW | 10 t        | 2.2 lb | 4818 | 2,427.00 |
| U2A/20T/ZGUW | 20 t        | 6.4 lb | 4819 | 2,730.00 |

### Dimensions in mm

| Capacity | A   | B   | T         |
|----------|-----|-----|-----------|
| 1 t      | 72  | 50  | M12       |
| 2 t      | 112 | 90  | M20 x 1.5 |
| 5 t      | 141 | 100 | M24 x 2   |
| 10 t     | 197 | 135 | M39 x 2   |
| 20 t     | 232 | 155 | M48 x 2   |



RC3



## RC3 Flintec

Hermentually sealed

2mv/v, 1,150/1000 ohms, 12m 4 wire cable for 7.5t to 22.5t, 18m 4 wire cable for 30t to 300t, **stainless steel**, hometre, IP 68/IP69k

NTEP Legal for Trade 07-037

| Part Number  | Capacity | Weight | SKU  | List      |
|--------------|----------|--------|------|-----------|
| RC3-7.5t-C3  | 7.5t     | 3 lb   | 2595 | \$ 685.00 |
| RC3-15t-C3   | 15t      | 3 lb   | 2596 | 685.00    |
| RC3-22.5t-C3 | 22.5t    | 4 lb   | 2597 | 685.00    |
| RC3-30t-C3   | 30t      | 8 lb   | 2598 | 875.00    |
| RC3-40t-C3   | 40t      | 8 lb   | 2599 | 970.14    |
| RC3-50t-C3   | 50t      | 11 lb  | 2600 | 1,132.00  |
| RC3-100t-C3  | 100t     | 28 lb  | 2601 | 2,122.00  |
| RC3-150t-C3  | 150t     | 37 lb  | 2602 | 2,761.00  |
| RC3-300t-C3  | 300t     | 70 lb  | 2603 | 3,969.00  |

Prices are subject to change without notice. Please call for current prices.

Other items are available from the manufacturers, please call for quote.

## T62 Totalcomp

Interchangeable with RTI Model 62H.  
2 mv/v, 350/350 ohm, 30 ft 4 wire cable, **stainless steel**, IP67.

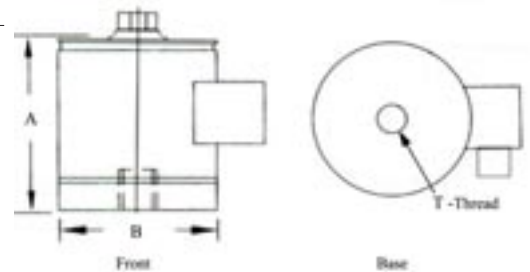
| Part Number | Capacity | Weight | SKU  | List        |
|-------------|----------|--------|------|-------------|
| T62-200-SS  | 200 lb   | 7 lb   | 3156 | \$ 1,079.93 |
| T62-300-SS  | 300 lb   | 7 lb   | 3157 | 1,079.93    |
| T62-500-SS  | 500 lb   | 9 lb   | 3158 | 1,175.21    |
| T62-1K-SS   | 1,000 lb | 9 lb   | 3160 | 1,175.21    |
| T62-2K-SS   | 2,000 lb | 9 lb   | 3161 | 1,334.03    |
| T62-3K-SS   | 3,000 lb | 9 lb   | 3162 | 1,334.03    |



T62

### Dimensions in inches

| Capacity | A    | B    | C          |
|----------|------|------|------------|
| 200-300  | 3.38 | 2.82 | 3/8-24 UNF |
| 500-1K   | 4.56 | 3.53 | 1/2-20 UNF |
| 2K-3K    | 5.00 | 4.03 | 1/2-20 UNF |



## T63 Totalcomp

Interchangeable with RTI Model 63H.  
3 mv/v, 350/350 ohm, 30 ft 4 wire cable, **stainless steel**, IP76.

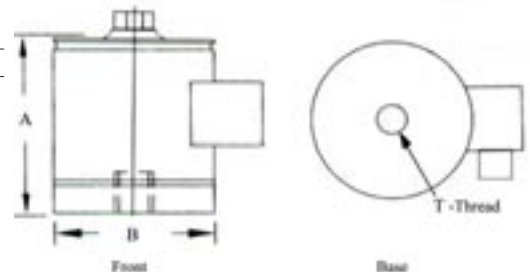
| Part Number | Capacity | Weight | SKU  | List        |
|-------------|----------|--------|------|-------------|
| T63-200-SS  | 200 lb   | 6 lb   | 3164 | \$ 1,079.93 |
| T63-300-SS  | 300 lb   | 6 lb   | 3165 | 1,079.93    |
| T63-500-SS  | 500 lb   | 9 lb   | 3166 | 1,175.21    |
| T63-750-SS  | 750 lb   | 9 lb   | 3167 | 1,175.21    |
| T63-1K-SS   | 1,000 lb | 9 lb   | 3168 | 1,175.21    |
| T63-2K-SS   | 2,000 lb | 9 lb   | 3169 | 1,334.03    |
| T63-3K-SS   | 3,000 lb | 9 lb   | 3170 | 1,334.03    |



T63

### Dimensions in inches

| Capacity | A    | B    | C          |
|----------|------|------|------------|
| 200-300  | 3.38 | 2.82 | 3/8-24 UNF |
| 500-1K   | 4.56 | 3.53 | 1/2-20 UNF |
| 2K-3K    | 5.00 | 4.03 | 1/2-20 UNF |



Prices are subject to change without notice. Please call for current prices.

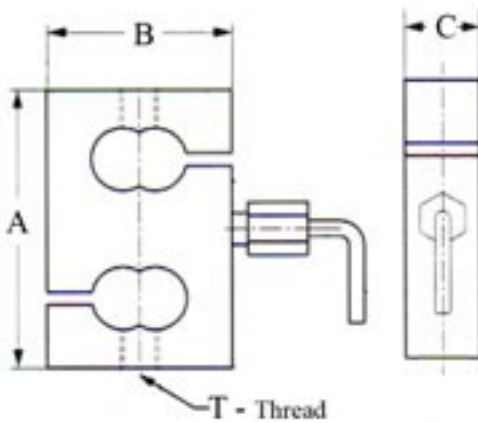
Other items are available from the manufacturers, please call for quote.

# S Type

S Type



RSC



Suitable for in-line mounting with tension links, rod ends, eyebolts, cables or other means. Can also be used in compression applications. Environmental protection is either clamped neoprene sleeve or elastic sealant which protects the strain gages from high humidity and moisture.

## RSC HBM

Interchangeable with Toledo model 736.

2 mv/v, 385/350 ohm, 25 ft 4 wire cable, **stainless steel**. IP67.

FM Approved.

NTEP Legal for Trade 91-031

| Part Number      | Capacity | Weight | SKU | List      |
|------------------|----------|--------|-----|-----------|
| US-RSC-750-25555 | 750 lb   | 3 lb   | 412 | \$ 561.00 |

## Dimensions in inches

| Capacity | A    | B    | C    | T          |
|----------|------|------|------|------------|
| 50-200   | 2.44 | 2.00 | 0.60 | 3/8-24 UNF |
| 300      | 3.44 | 2.25 | 0.95 | 3/8-24 UNF |
| 500-3K   | 3.44 | 2.25 | 0.95 | 1/2-20 UNF |
| 5K, 10K  | 3.94 | 2.75 | 1.45 | 3/4-16 UNF |



# S Type

S Type

## S35 HBM

FM Approved.

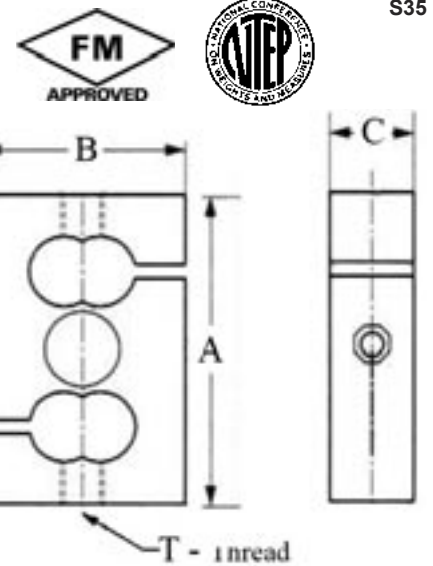
3 mv/v, 350/350 ohm, 20 ft 4 wire cable, **stainless steel**, IP65.

NTEP Legal for Trade 97-142

| Part Number     | Capacity | Weight | SKU  | List      |
|-----------------|----------|--------|------|-----------|
| 1-S35AN3/100-1  | 100 lb   | 3 lb   | 4327 | \$ 289.00 |
| 1-S35AN3/200-1  | 200 lb   | 3 lb   | 4328 | 289.00    |
| 1-S35AN3/300-1  | 300 lb   | 3 lb   | 4329 | 289.00    |
| 1-S35AN3/500-1  | 500 lb   | 3 lb   | 4330 | 289.00    |
| 1-S35AN3/750-1  | 750 lb   | 3 lb   | 4331 | 289.00    |
| 1-S35AN3/1K-1   | 1,000 lb | 3 lb   | 4332 | 275.00    |
| 1-S35AN3/1.5K-1 | 1,500 lb | 3 lb   | 6478 | 289.00    |
| 1-S35AN3/2K-1   | 2,000 lb | 3 lb   | 4333 | 275.00    |
| 1-S35AN3/2.5K-1 | 2,500 lb | 3 lb   | 4334 | 289.00    |
| 1-S35AN3/3K-1   | 3,000 lb | 3 lb   | 4335 | 289.00    |
| 1-S35AN3/5K-1   | 5,000 lb | 4 lb   | 4336 | 289.00    |

### Dimensions in inches

| Capacity  | A    | B    | C    | T            |
|-----------|------|------|------|--------------|
| 50-300    | 2.40 | 2.00 | 0.46 | 1/4-28 UNF   |
| 500-1K    | 2.40 | 2.00 | 0.71 | 1/2-20 UNF   |
| 1.5K-2.5K | 2.40 | 2.00 | 0.96 | 1/2-20 UNF   |
| 3K        | 3.90 | 3.00 | 0.96 | 1/2-20 UNF   |
| 5K-10K    | 3.90 | 3.00 | 0.96 | 3/4-16 UNF   |
| 15K       | 5.50 | 4.00 | 1.50 | 1-14 UNS     |
| 20K       | 7.00 | 5.00 | 2.00 | 1 1/4-12 UNF |



## RSCC3 HBM

2 mv/v, 350/350 ohm, 7.6m 6 wire cable, **stainless steel**, IP68

OIML Legal for Trade

| Part Number     | Capacity | Weight  | SKU | List        |
|-----------------|----------|---------|-----|-------------|
| 1-RSCC3/50kg-1  | 50 kg    | 1.54 lb | 918 | \$ 1,154.00 |
| 1-RSCC3/100kg-1 | 100 kg   | 1.54 lb | 919 | 1,154.00    |
| 1-RSCC3/200kg-1 | 200 kg   | 2.20 lb | 920 | 1,154.00    |
| 1-RSCC3/500kg-1 | 500 kg   | 3.00 lb | 921 | 1,154.00    |
| 1-RSCC3/1t-1    | 1 t      | 3.00 lb | 922 | 1,154.00    |
| 1-RSCC3/2t-1    | 2 t      | 4.00 lb | 923 | 1,245.00    |
| 1-RSCC3/5t-1    | 5 t      | 5.00 lb | 924 | 1,280.00    |

Dimensions on previous page



RSCC

Prices are subject to change without notice. Please call for current prices.

Other items are available from the manufacturers, please call for quote.

# S Type

S Type



TS



## TS Totalcomp

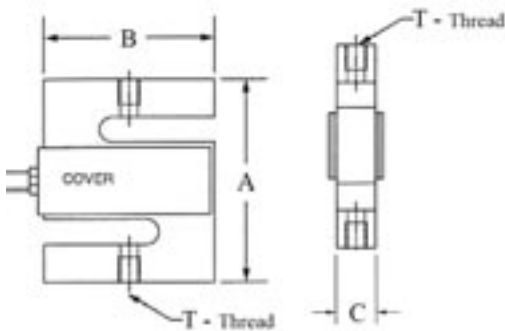
Bi-directional for both tension & compression loads.

3 mv/v, 380/350 ohm, 20 ft 4 wire cable, nickel plated steel, IP67.

NTEP Legal for Trade 93-028

| Part Number | Capacity  | Weight | SKU  | List      |
|-------------|-----------|--------|------|-----------|
| TS-25       | 25 lb     | 3 lb   | 2181 | \$ 297.83 |
| TS-50       | 50 lb     | 3 lb   | 2182 | 297.83    |
| TS-75       | 75 lb     | 3 lb   | 2183 | 297.83    |
| TS-100      | 100 lb    | 3 lb   | 2184 | 297.83    |
| TS-150      | 150 lb    | 3 lb   | 2185 | 297.83    |
| TS-200      | 200 lb    | 3 lb   | 2186 | 297.83    |
| TS-250      | 250 lb    | 3 lb   | 2187 | 297.83    |
| TS-300      | 300 lb    | 3 lb   | 2188 | 297.83    |
| TS-500      | 500 lb    | 3 lb   | 2189 | 297.83    |
| TS-750      | 750 lb    | 3 lb   | 2190 | 297.83    |
| TS-1K       | 1,000 lb  | 3 lb   | 2191 | 297.83    |
| TS-1.5K     | 1,500 lb  | 3 lb   | 2192 | 297.83    |
| TS-2K       | 2,000 lb  | 3 lb   | 2193 | 297.83    |
| TS-2.5K     | 2,500 lb  | 3 lb   | 2194 | 297.83    |
| TS-3K       | 3,000 lb  | 5 lb   | 2195 | 360.53    |
| TS-5K       | 5,000 lb  | 5 lb   | 2196 | 485.93    |
| TS-10K      | 10,000 lb | 6 lb   | 2197 | 485.93    |
| TS-15K      | 15,000 lb | 8 lb   | 2198 | 924.83    |
| TS-20K      | 20,000 lb | 17 lb  | 2199 | 1,165.18  |
| TS-30K      | 30,000 lb | 35 lb  | 2426 | 1,998.21  |
| TS-40K      | 40,000 lb | 36 lb  | 2427 | 2,532.22  |

## Dimensions in inches



| Capacity | A     | B    | C    | T            |
|----------|-------|------|------|--------------|
| 25, 200  | 2.50  | 2.00 | 0.75 | 1/4-28 UNF   |
| 250-300  | 2.50  | 2.00 | 0.75 | 1/4-28 UNF   |
| 500-2.5K | 2.50  | 2.00 | 1.00 | 1/2-20 UNF   |
| 3K       | 4.00  | 3.00 | 1.00 | 1/2-20 UNF   |
| 5K, 10K  | 4.00  | 3.00 | 1.25 | 3/4-16 UNF   |
| 15K      | 5.50  | 4.00 | 1.50 | 1-14 UNF     |
| 20K      | 7.00  | 4.50 | 2.00 | 1 1/4-12 UNF |
| 30K, 40K | 10.00 | 5.75 | 2.75 | 1 1/2-12 UNF |

Prices are subject to change without notice. Please call for current prices.

Other items are available from the manufacturers, please call for quote.

# S Type

## TS-SS Totalcomp

Bi-directional for both tension & compression loads.  
 3 mv/v, 380/350 ohm, 20 ft 4 wire cable, **stainless steel**, IP67.  
 NTEP Legal for Trade 93-015

| Part Number  | Capacity  | Weight | SKU  | List      |
|--------------|-----------|--------|------|-----------|
| TS-25-SS *   | 25 lb     | 2 lb   | 2162 | \$ 339.63 |
| TS-50-SS *   | 50 lb     | 2 lb   | 2163 | 339.63    |
| TS-100-SS    | 100 lb    | 2 lb   | 2165 | 339.63    |
| TS-200-SS    | 200 lb    | 2 lb   | 2167 | 339.63    |
| TS-250-SS *  | 250 lb    | 2 lb   | 2168 | 339.63    |
| TS-300-SS    | 300 lb    | 2 lb   | 2169 | 339.63    |
| TS-500-SS    | 500 lb    | 2 lb   | 2170 | 339.63    |
| TS-750-SS    | 750 lb    | 2 lb   | 2171 | 339.63    |
| TS-1K-SS     | 1,000 lb  | 2 lb   | 2172 | 339.63    |
| TS-1.5K-SS   | 1,500 lb  | 2 lb   | 2173 | 339.63    |
| TS-2K-SS     | 2,000 lb  | 2 lb   | 2174 | 339.63    |
| TS-2.5K-SS * | 2,500 lb  | 2 lb   | 2175 | 391.88    |
| TS-3K-SS     | 3,000 lb  | 4 lb   | 2176 | 391.88    |
| TS-5K-SS     | 5,000 lb  | 4 lb   | 2177 | 496.38    |
| TS-10K-SS    | 10,000 lb | 5 lb   | 2178 | 622.82    |

\* Not NTEP

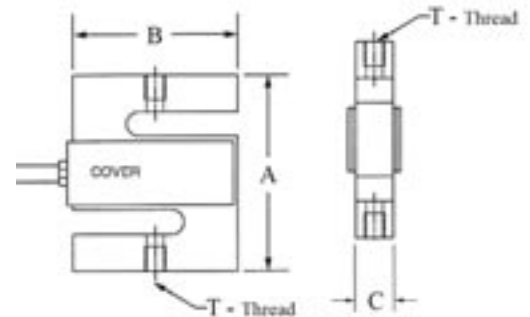


TS-SS

S Type

### Dimensions in inches

| Capacity | A    | B    | C    | T          |
|----------|------|------|------|------------|
| 25-200   | 2.50 | 2.00 | 0.50 | 1/4-28 UNF |
| 250-300  | 2.50 | 2.00 | 0.75 | 1/4-28 UNF |
| 500-1.5K | 2.50 | 2.00 | 0.75 | 1/2-20 UNF |
| 2K-2.5K  | 2.50 | 2.00 | 1.00 | 1/2-20 UNF |
| 3K       | 4.00 | 3.00 | 1.00 | 1/2-20 UNF |
| 5K, 10K  | 4.00 | 3.00 | 1.25 | 3/4-16 UNF |
| 15K      | 5.50 | 4.00 | 1.50 | 1 1/4 UNF  |



Prices are subject to change without notice. Please call for current prices.

Other items are available from the manufacturers, please call for quote.

13-01 Pollitt Dr Ext  
 Fair Lawn NJ 07410  
 201-797-2718

**Totalcomp**  
 Components

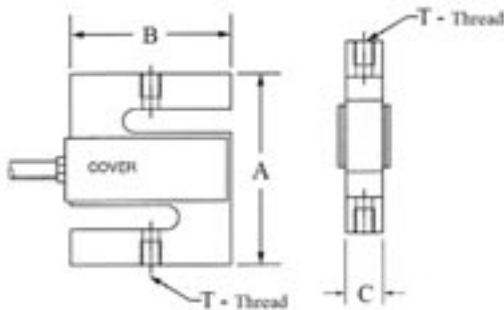
www.totalcomp.com  
 sales@totalcomp.com  
 Fax 201-797-2287

# S Type

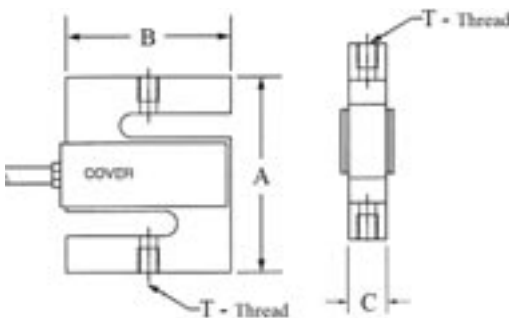
S Type



GS



GS-SS



## GS General Sensor, Industrial Process Series

These economical tension load cells are intended for commercial use and also industrial process control.  
3 mv/v, 380/350 ohm, 20 ft 4 wire cable, nickel plated steel, IP67.  
NTEP Legal for Trade 97-022

| Part Number | Capacity | Weight | SKU  | List      |
|-------------|----------|--------|------|-----------|
| GS-50 *     | 50 lb    | 2 lb   | 2753 | \$ 190.58 |
| GS-100      | 100 lb   | 2 lb   | 2754 | 190.58    |
| GS-200      | 200 lb   | 2 lb   | 2755 | 190.58    |
| GS-250      | 250 lb   | 2 lb   | 2725 | 190.58    |
| GS-300      | 300 lb   | 2 lb   | 2756 | 190.58    |
| GS-500      | 500 lb   | 2 lb   | 2757 | 190.58    |
| GS-750      | 750 lb   | 2 lb   | 2758 | 190.58    |
| GS-1K       | 1,000 lb | 2 lb   | 2759 | 190.58    |
| GS-1.5K     | 1,500 lb | 2 lb   | 2760 | 190.58    |
| GS-2K *     | 2,000 lb | 3 lb   | 2761 | 190.58    |
| GS-3K *     | 3,000 lb | 4 lb   | 2762 | 190.58    |
| GS-5K *     | 5,000 lb | 4 lb   | 2763 | 375.38    |

\* Not NTEP

### Dimensions in inches

| Capacity | A    | B    | C    | T          |
|----------|------|------|------|------------|
| 50-200   | 2.50 | 2.00 | 0.50 | 1/4-28 UNF |
| 300      | 3.00 | 2.00 | 0.50 | 3/8-24 UNF |
| 500, 750 | 3.00 | 2.00 | 0.75 | 1/2-20 UNF |
| 1K-3K    | 4.00 | 3.00 | 1.00 | 1/2-20 UNF |

## GS-SS General Sensor, Industrial Process Series

Bi-directional for both tension & compression loads. These economical cells are intended .for non commercial use such as industrial process control  
.mv/v, 400/350 ohm, 20 ft 4 wire cable, **stainless steel**, IP67 3

| Part Number                               | Capacity  | Weight | SKU  | List      |
|---|-----------|--------|------|-----------|
| GS-100-SS                                 | 100 lb    | 2 lb   | 8382 | \$ 375.38 |
| GS-200-SS                                 | 200 lb    | 2 lb   | 8383 | 375.38    |
| GS-300-SS                                 | 300 lb    | 2 lb   | 8384 | 375.38    |
| GS-500-SS                                 | 500 lb    | 2 lb   | 8385 | 375.38    |
| GS-750-SS                                 | 750 lb    | 2 lb   | 8386 | 375.38    |
| GS-1K-SS                                  | 1,000 lb  | 2 lb   | 8387 | 375.38    |
| GS-1.5K-SS                                | 1,500 lb  | 2 lb   | 8388 | 375.38    |
| GS-2K-SS                                  | 2,000 lb  | 3 lb   | 8389 | 456.23    |
| GS-2K-SSW (2mv/v)<br>Welded hermetic seal | 2,000 lb  | 3 lb   | 2987 | 488.25    |
| GS-2K-SS-40 (40 ft cable)                 | 2,000 lb  | 3 lb   | 2998 | 459.00    |
| GS-3K-SS                                  | 3,000 lb  | 3 lb   | 8390 | 456.23    |
| GS-5K-SS                                  | 5,000 lb  | 4 lb   | 8391 | 649.11    |
| GS-10K-SS                                 | 10,000 lb | 4 lb   | 8392 | 649.11    |
| GS-15K-SS                                 | 15,000 lb | 8 lb   | 8393 | 1,155.00  |
| GS-20K-SS                                 | 20,000 lb | 18 lb  | 8394 | 2,285.75  |

### Dimensions in inches

| Capacity | A    | B    | C    | T           |
|----------|------|------|------|-------------|
| 250      | 3.00 | 2.00 | 0.50 | 3/8-24 UNF  |
| 500, 750 | 3.00 | 2.00 | 0.75 | 1/2-20 UNF  |
| 1K-3K    | 3.00 | 2.00 | 1.00 | 1/2-20 UNF  |
| 5K       | 4.25 | 3.00 | 1.00 | 3/4-16UNF   |
| 10K      | 4.75 | 3.50 | 1.00 | 3/4-16UNF   |
| 15K      | 5.50 | 4.00 | 1.25 | 1-14UNF     |
| 20K      | 7.00 | 5.00 | 2.00 | 1 1/4-12UNF |

Prices are subject to change without notice. Please call for current prices.

Other items are available from the manufacturers, please call for quote.

# S Type

S Type

## 20210 Artech

3 mv/v, 0.03% nonlinearity, 380/350 ohm, 20 ft 4 wire cable, nickel/chrome plated steel.  
IP67.

NTEP Legal for Trade 87-057

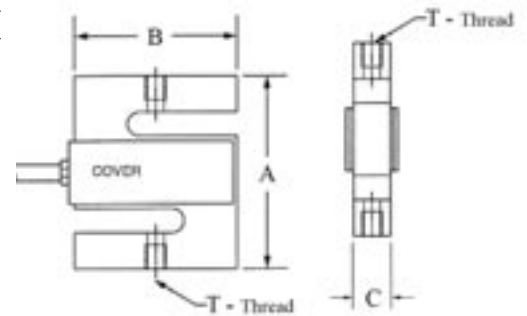
| Part Number | Capacity  | Weight | SKU  | List      |
|-------------|-----------|--------|------|-----------|
| 20210-25    | 25 lb     | 2 lb   | 1993 | \$ 377.87 |
| 20210-50    | 50 lb     | 2 lb   | 1994 | 377.87    |
| 20210-75    | 75 lb     | 2 lb   | 1995 | 377.87    |
| 20210-100   | 100 lb    | 2 lb   | 1996 | 377.87    |
| 20210-150   | 150 lb    | 2 lb   | 1997 | 377.87    |
| 20210-200   | 200 lb    | 2 lb   | 1998 | 377.87    |
| 20210-250   | 250 lb    | 2 lb   | 1999 | 377.87    |
| 20210-300   | 300 lb    | 2 lb   | 2000 | 377.87    |
| 20210-500   | 500 lb    | 2 lb   | 2001 | 377.87    |
| 20210-750   | 750 lb    | 2 lb   | 2002 | 377.87    |
| 20210-1K    | 1,000 lb  | 2 lb   | 2003 | 377.87    |
| 20210-1.5K  | 1,500 lb  | 2 lb   | 2004 | 377.87    |
| 20210-2K    | 2,000 lb  | 2 lb   | 2005 | 377.87    |
| 20210-2.5K  | 2,500 lb  | 2 lb   | 2006 | 377.87    |
| 20210-3K    | 3,000 lb  | 4 lb   | 2007 | 429.10    |
| 20210-5K    | 5,000 lb  | 4 lb   | 2008 | 608.43    |
| 20210-10K   | 10,000 lb | 5 lb   | 2009 | 608.43    |
| 20210-15K   | 15,000 lb | 8 lb   | 2010 | 1,134.88  |
| 20210-20K   | 20,000 lb | 14 lb  | 2011 | 1,134.88  |



20210

### Dimensions in inches

| Capacity | A     | B    | C    | T            |
|----------|-------|------|------|--------------|
| 25-300   | 2.50  | 2.00 | 0.75 | 1/4-28 UNF   |
| 500-2.5K | 2.50  | 2.00 | 1.00 | 1/2-20 UNF   |
| 3K       | 4.00  | 3.00 | 1.00 | 1/2-20 UNF   |
| 5K, 10K  | 4.00  | 3.00 | 1.25 | 3/4-16 UNF   |
| 15K      | 5.50  | 3.50 | 1.50 | 1-14 UNF     |
| 20K      | 7.00  | 4.50 | 2.00 | 1 1/4-12 UNF |
| 30K, 40K | 10.00 | 5.75 | 2.75 | 1 1/2-12 UNF |



Prices are subject to change without notice. Please call for current prices.

Other items are available from the manufacturers, please call for quote.

13-01 Pollitt Dr Ext  
Fair Lawn NJ 07410  
201-797-2718

**Totalcomp**  
Components

www.totalcomp.com  
sales@totalcomp.com  
Fax 201-797-2287

# S Type

S Type



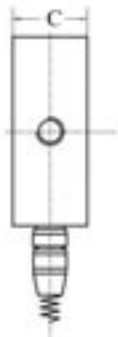
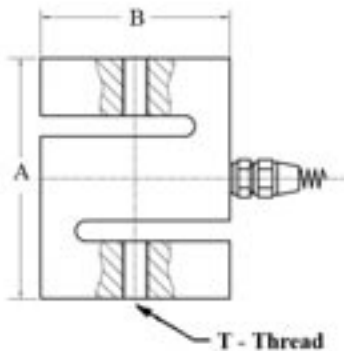
DS-SS

## DS-SS Diamond

Bi-directional for both tension & compression loads.

3 mv/v, 385/350 ohm, 20 ft 4 wire cable, **stainless steel**, IP67.

| Part Number | Capacity  | Weight | SKU  | List      |
|-------------|-----------|--------|------|-----------|
| DS-100-SS   | 100 lb    | 2 lb   | 7044 | \$ 252.95 |
| DS-150-SS   | 150 lb    | 2 lb   | 7270 | 252.95    |
| DS-200-SS   | 200 lb    | 2 lb   | 7271 | 252.95    |
| DS-250-SS   | 250 lb    | 2 lb   | 7272 | 252.95    |
| DS-500-SS   | 500 lb    | 3 lb   | 7273 | 252.95    |
| DS-750-SS   | 750 lb    | 3 lb   | 7274 | 252.95    |
| DS-1K-SS    | 1,000 lb  | 3 lb   | 7275 | 252.95    |
| DS-1.5K-SS  | 1,500 lb  | 3 lb   | 7276 | 252.95    |
| DS-2K-SS    | 2,000 lb  | 3 lb   | 7277 | 317.63    |
| DS-2.5K-SS  | 2,500 lb  | 3 lb   | 7278 | 317.63    |
| DS-3K-SS    | 3,000 lb  | 6 lb   | 7279 | 317.63    |
| DS-5K-SS    | 5,000 lb  | 6 lb   | 7280 | 445.83    |
| DS-10K-SS   | 10,000 lb | 6 lb   | 7281 | 445.83    |
| DS-15K-SS   | 15,000 lb | 8 lb   | 7282 | 798.11    |
| DS-20K-SS   | 20,000 lb | 8 lb   | 7283 | 1,600.83  |



### Dimensions in inches

| Capacity | A   | B   | C   | T            |
|----------|-----|-----|-----|--------------|
| 150-250  | 2.5 | 2.0 | 0.5 | 1/4-28 UNF   |
| 500-1.5K | 2.5 | 2.0 | 0.7 | 1/2-20 UNF   |
| 2K, 2.5K | 2.5 | 2.0 | 1.0 | 1/2-20 UNF   |
| 3K       | 4.0 | 3.0 | 1.0 | 1/2-20 UNF   |
| 5K       | 4.0 | 3.0 | 1.0 | 3/4-16 UNF   |
| 10K      | 4.0 | 3.0 | 1.2 | 3/4-16 UNF   |
| 15K      | 5.5 | 3.5 | 1.5 | 1-14 UNF     |
| 20K      | 7.0 | 4.5 | 1.7 | 1 1/4-12 UNF |

# S Type

## DS Diamond

Bi-directional for both tension & compression loads.  
3 mv/v, 385/350 ohm, 20 ft 4 wire cable, alloy steel, IP67.

| Part Number | Capacity  | Weight | SKU  | List      |
|-------------|-----------|--------|------|-----------|
| DS-50       | 50 lb     | 2 lb   | 7254 | \$ 144.38 |
| DS-100      | 100 lb    | 2 lb   | 7255 | 144.38    |
| DS-150      | 150 lb    | 2 lb   | 7256 | 157.08    |
| DS-200      | 200 lb    | 2 lb   | 7257 | 157.08    |
| DS-250      | 250 lb    | 3 lb   | 7258 | 157.08    |
| DS-500      | 500 lb    | 3 lb   | 7259 | 157.08    |
| DS-750      | 750 lb    | 3 lb   | 7260 | 157.08    |
| DS-1K       | 1,000 lb  | 3 lb   | 7261 | 157.08    |
| DS-1.5K     | 1,500 lb  | 3 lb   | 7262 | 157.08    |
| DS-2K       | 2,000 lb  | 3 lb   | 7263 | 188.27    |
| DS-2.5K     | 2,500 lb  | 3 lb   | 7264 | 188.27    |
| DS-3K       | 3,000 lb  | 4 lb   | 7265 | 188.27    |
| DS-5K       | 5,000 lb  | 4 lb   | 7266 | 285.29    |
| DS-10K      | 10,000 lb | 5 lb   | 7267 | 285.29    |
| DS-15K      | 15,000 lb | 8 lb   | 7268 | 413.49    |
| DS-20K      | 20,000 lb | 16 lb  | 7269 | 637.56    |

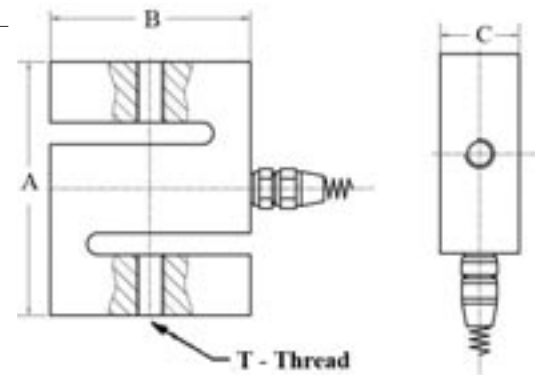


S Type

DS

### Dimensions in inches

| Capacity | A   | B   | C   | T            |
|----------|-----|-----|-----|--------------|
| 50-250   | 2.5 | 2.0 | 0.5 | 1/4-28 UNF   |
| 500-1.5K | 2.5 | 2.0 | 0.7 | 1/2-20 UNF   |
| 2K, 2.5K | 2.5 | 2.0 | 1.0 | 1/2-20 UNF   |
| 3K       | 4.0 | 3.0 | 1.0 | 1/2-20 UNF   |
| 5K       | 4.0 | 3.0 | 1.0 | 3/4-16 UNF   |
| 10K      | 4.0 | 3.0 | 1.2 | 3/4-16 UNF   |
| 15K      | 5.5 | 3.5 | 1.5 | 1-14 UNF     |
| 20K      | 7.0 | 4.5 | 1.7 | 1 1/4-12 UNF |



Prices are subject to change without notice. Please call for current prices.

Other items are available from the manufacturers, please call for quote.

13-01 Pollitt Dr Ext  
Fair Lawn NJ 07410  
201-797-2718

**Totalcomp**  
Components

www.totalcomp.com  
sales@totalcomp.com  
Fax 201-797-2287

# S Type

S Type



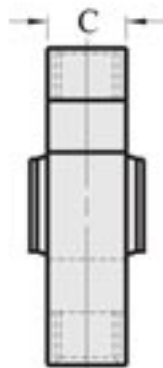
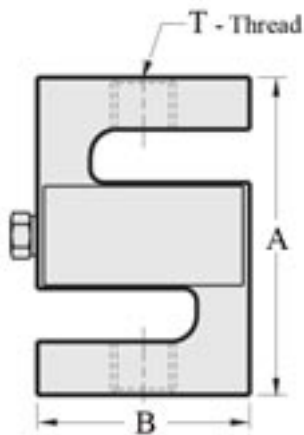
NS-SS

## NS-SS Nikkei

Bi-directional for both tension & compression loads.

3 mv/v, 380/350 ohm, 20 ft 4 wire cable, **stainless steel**, IP67.

| Part Number | Capacity  | Weight | SKU  | List      |
|-------------|-----------|--------|------|-----------|
| NS-25-SS    | 25 lb     | 2 lb   | 1454 | \$ 339.63 |
| NS-50-SS    | 50 lb     | 2 lb   | 1916 | 339.63    |
| NS-100-SS   | 100 lb    | 2 lb   | 1917 | 339.63    |
| NS-200-SS   | 200 lb    | 2 lb   | 2157 | 339.63    |
| NS-250-SS   | 250 lb    | 2 lb   | 1918 | 339.63    |
| NS-500-SS   | 500 lb    | 3 lb   | 1919 | 339.63    |
| NS-750-SS   | 750 lb    | 3 lb   | 1456 | 339.63    |
| NS-1K-SS    | 1,000 lb  | 3 lb   | 1920 | 339.63    |
| NS-1.5K-SS  | 1,500 lb  | 3 lb   | 1921 | 339.63    |
| NS-2K-SS    | 2,000 lb  | 3 lb   | 1477 | 339.63    |
| NS-2.5K-SS  | 2,500 lb  | 3 lb   | 1922 | 716.87    |
| NS-3K-SS    | 3,000 lb  | 6 lb   | 1923 | 716.87    |
| NS-5K-SS    | 5,000 lb  | 6 lb   | 1924 | 734.95    |
| NS-10K-SS   | 10,000 lb | 6 lb   | 1925 | 734.95    |



### Dimensions in inches

| Capacity | A   | B   | C    | T            |
|----------|-----|-----|------|--------------|
| 25, 300  | 2.5 | 2.0 | 0.75 | 1/4-28 UNF   |
| 500-2.5K | 2.5 | 2.0 | 0.75 | 1/2-20 UNF   |
| 5K-10K   | 4.0 | 3.0 | 1.00 | 3/4-16 UNF   |
| 15K      | 5.5 | 3.5 | 1.50 | 1-14 UNF     |
| 20K      | 7.0 | 4.5 | 2.00 | 1-1/4-12 UNF |

Prices are subject to change without notice. Please call for current prices.

Other items are available from the manufacturers, please call for quote.



# S Type

S Type

## NS Nikkei

Bi-directional for both tension & compression loads.  
 3 mv/v, 380/350 ohm, 20 ft 4 wire cable, nickel plated steel, IP67.  
 NTEP Legal for Trade 99-126.

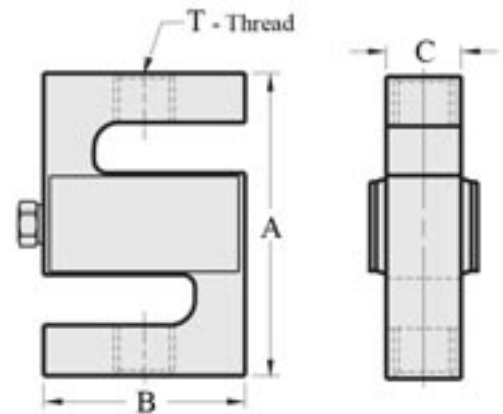
| Part Number | Capacity  | Weight | SKU  | List      |
|-------------|-----------|--------|------|-----------|
| NS-25       | 25 lb     | 2 lb   | 1403 | \$ 249.76 |
| NS-50       | 50 lb     | 2 lb   | 1019 | 249.76    |
| NS-75       | 75 lb     | 2 lb   | 2159 | 249.76    |
| NS-100      | 100 lb    | 2 lb   | 1020 | 249.76    |
| NS-150      | 150 lb    | 2 lb   | 2160 | 249.76    |
| NS-200      | 200 lb    | 2 lb   | 532  | 249.76    |
| NS-250      | 250 lb    | 2 lb   | 1021 | 249.76    |
| NS-300      | 300 lb    | 2 lb   | 2161 | 249.76    |
| NS-500      | 500 lb    | 2 lb   | 1022 | 249.76    |
| NS-750      | 750 lb    | 3 lb   | 1404 | 249.76    |
| NS-1K       | 1,000 lb  | 3 lb   | 1023 | 249.76    |
| NS-1.5K     | 1,500 lb  | 3 lb   | 1173 | 249.76    |
| NS-2K       | 2,000 lb  | 3 lb   | 1072 | 249.76    |
| NS-2.5K     | 2,500 lb  | 3 lb   | 1024 | 249.76    |
| NS-3K       | 3,000 lb  | 4 lb   | 1025 | 271.70    |
| NS-5K       | 5,000 lb  | 4 lb   | 1026 | 373.07    |
| NS-10K      | 10,000 lb | 5 lb   | 1027 | 373.07    |
| NS-15K      | 15,000 lb | 8 lb   | 1845 | 1,079.49  |
| NS-20K      | 20,000 lb | 16 lb  | 1724 | 1,079.49  |



NS

### Dimensions in inches

| Capacity | A   | B   | C    | T            |
|----------|-----|-----|------|--------------|
| 25, 300  | 2.5 | 2.0 | 0.75 | 1/4-28 UNF   |
| 500-2.5K | 2.5 | 2.0 | 0.75 | 1/2-20 UNF   |
| 5K-10K   | 4.0 | 3.0 | 1.00 | 3/4-16 UNF   |
| 15K      | 5.5 | 3.5 | 1.50 | 1-14 UNF     |
| 20K      | 7.0 | 4.5 | 2.00 | 1-1/4-12 UNF |



Prices are subject to change without notice. Please call for current prices.

Other items are available from the manufacturers, please call for quote.

13-01 Pollitt Dr Ext  
 Fair Lawn NJ 07410  
 201-797-2718

**Totalcomp**  
 Components

www.totalcomp.com  
 sales@totalcomp.com  
 Fax 201-797-2287

# S Type

S Type



9363



## 9363 Revere

3 mv/v, 430/350 ohm, 20 ft 4 wire cable, stainless steel. IP65.

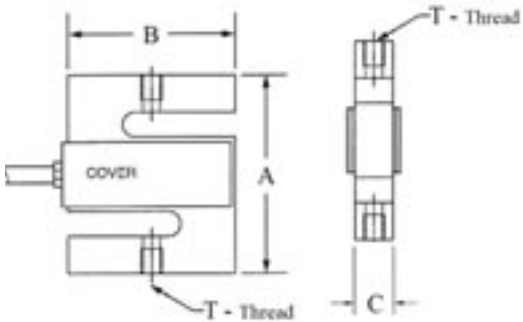
100 lb thru 10,000 lb are NTEP

NTEP Legal for Trade 87-051

| Part Number  | Capacity  | Weight | SKU  | List      |
|--------------|-----------|--------|------|-----------|
| 9363-50 *    | 50 lb     | 2 lb   | 1056 | \$ 308.28 |
| 9363-75 *    | 75 lb     | 2 lb   | 6508 | 308.28    |
| 9363-B10-100 | 100 lb    | 2 lb   | 1057 | 308.28    |
| 9363-150     | 150 lb    | 2 lb   | 6509 | 308.28    |
| 9363-200     | 200 lb    | 2 lb   | 1058 | 308.28    |
| 9363-250     | 250 lb    | 2 lb   | 6510 | 308.28    |
| 9363-300     | 300 lb    | 2 lb   | 1059 | 308.28    |
| 9363-500     | 500 lb    | 2 lb   | 1060 | 308.28    |
| 9363-750     | 750 lb    | 2 lb   | 1061 | 308.28    |
| 9363-1K      | 1,000 lb  | 2 lb   | 1062 | 308.28    |
| 9363-1.5K    | 1,500 lb  | 2 lb   | 1063 | 308.28    |
| 9363-2K      | 2,000 lb  | 3 lb   | 1064 | 308.28    |
| 9363-2.5K    | 2,500 lb  | 2 lb   | 6511 | 308.28    |
| 9363-3K      | 3,000 lb  | 4 lb   | 1065 | 308.28    |
| 9363-5K      | 5,000 lb  | 4 lb   | 1066 | 496.38    |
| 9363-10K     | 10,000 lb | 5 lb   | 1067 | 574.75    |
| 9363-15K *   | 15,000 lb | 7 lb   | 6513 | 652.08    |
| 9363-20K *   | 20,000 lb | 10 lb  | 6514 | 935.28    |

\* Not NTEP

## Dimensions in inches



| Capacity | A    | B    | C    | T            |
|----------|------|------|------|--------------|
| 100-300  | 2.50 | 2.00 | 0.50 | 1/4-28 UNF   |
| 500-1.5K | 2.50 | 2.00 | 0.70 | 1/2-20 UNF   |
| 2K, 2.5K | 2.50 | 2.00 | 1.00 | 1/2-20 UNF   |
| 3K       | 4.00 | 3.00 | 1.00 | 1/2-20 UNF   |
| 5K       | 4.00 | 3.00 | 1.00 | 3/4-16 UNF   |
| 10K      | 4.00 | 3.00 | 1.20 | 3/4-16 UNF   |
| 15K      | 5.50 | 3.50 | 1.50 | 1-14 UNF     |
| 20K      | 7.00 | 4.50 | 1.70 | 1 1/4-12 UNF |

Prices are subject to change without notice. Please call for current prices.

Other items are available from the manufacturers, please call for quote.

# S Type

S Type

## 363 Revere

3 mv/v, 390/350 ohm, 20 ft 4 wire cable, nickel plated steel. IP65  
 100 lb thru 10,000 lb are NTEP.  
 NTEP Legal for Trade 87-063

| Part Number | Capacity  | Weight | SKU  | List      |
|-------------|-----------|--------|------|-----------|
| 363-50 *    | 50 lb     | 2 lb   | 5447 | \$ 274.84 |
| 363-100     | 100 lb    | 2 lb   | 5448 | 274.84    |
| 363-200     | 200 lb    | 2 lb   | 5449 | 274.84    |
| 363-300     | 300 lb    | 2 lb   | 5450 | 274.84    |
| 363-500     | 500 lb    | 2 lb   | 5451 | 274.84    |
| 363-750     | 750 lb    | 2 lb   | 5452 | 274.84    |
| 363-1K      | 1,000 lb  | 2 lb   | 5453 | 274.84    |
| 363-1.5K    | 1,500 lb  | 2 lb   | 5454 | 274.84    |
| 363-2K      | 2,000 lb  | 3 lb   | 5455 | 274.84    |
| 363-3K      | 3,000 lb  | 4 lb   | 5456 | 335.45    |
| 363-5K      | 5,000 lb  | 4 lb   | 5457 | 434.72    |
| 363-10K     | 10,000 lb | 5 lb   | 5458 | 434.72    |
| 363-15K *   | 15,000 lb | 8 lb   | 5459 | 517.28    |
| 363-20K *   | 20,000 lb | 18 lb  | 5460 | 315.10    |

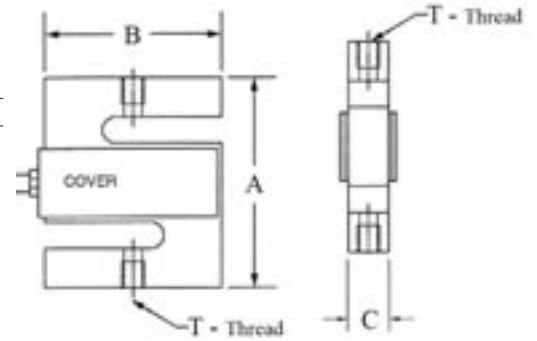
\* Not NTEP



363

### Dimensions in inches

| Capacity | A   | B   | C   | T            |
|----------|-----|-----|-----|--------------|
| 100-300  | 2.5 | 2.0 | 0.5 | 1/4-28 UNF   |
| 500-1.5K | 2.5 | 2.0 | 0.7 | 1/2-20 UNF   |
| 2K, 2.5K | 2.5 | 2.0 | 1.0 | 1/2-20 UNF   |
| 3K       | 4.0 | 3.0 | 1.0 | 1/2-20 UNF   |
| 5K       | 4.0 | 3.0 | 1.0 | 3/4-16 UNF   |
| 10K      | 4.0 | 3.0 | 1.2 | 3/4-16 UNF   |
| 15K      | 5.5 | 3.5 | 1.5 | 1-14 UNF     |
| 20K      | 7.0 | 4.5 | 1.7 | 1 1/4-12 UNF |



## 263D Revere

3 mv/v, 350/350 ohm, 10 ft 4 wire cable, nickel plated steel, IP67.

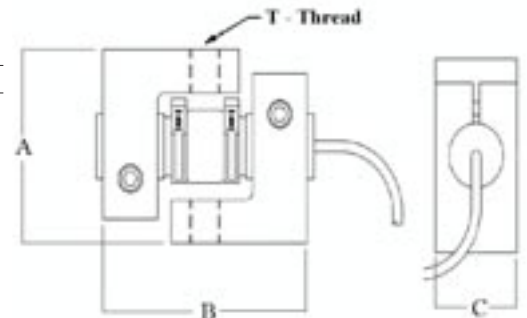
| Part Number     | Capacity | Weight | SKU | List      |
|-----------------|----------|--------|-----|-----------|
| 263D-D3-3K-10P1 | 3,000 lb | 4 lb   | 69  | \$ 539.22 |



263D

### Dimensions in inches

| Capacity | A    | B    | C    | T      |
|----------|------|------|------|--------|
| 3K       | 4.56 | 4.00 | 1.50 | 1/2-20 |



Prices are subject to change without notice. Please call for current prices.

Other items are available from the manufacturers, please call for quote.

13-01 Pollitt Dr Ext  
 Fair Lawn NJ 07410  
 201-797-2718

**Totalcomp**  
 Components

www.totalcomp.com  
 sales@totalcomp.com  
 Fax 201-797-2287

# S Type

S Type



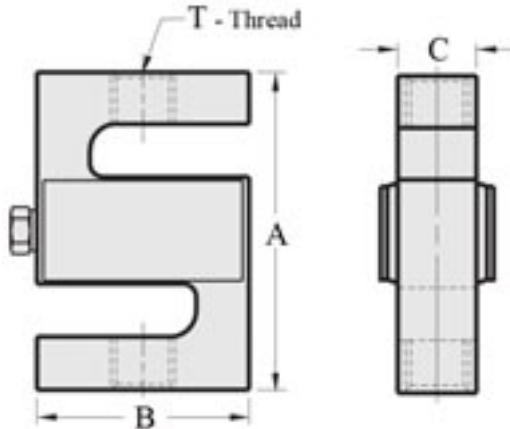
60001



## 60001 Sensortronics

3 mv/v, 350/350 ohms, 20 ft 4 wire cable, nickel plated steel, IP67.  
NTEP Legal for Trade 86-043

| Part Number | Capacity  | Weight | SKU  | List      |
|-------------|-----------|--------|------|-----------|
| 60001-25    | 25 lb     | 2 lb   | 388  | \$ 308.28 |
| 60001-50    | 50 lb     | 2 lb   | 389  | 308.28    |
| 60001-100   | 100 lb    | 2 lb   | 390  | 308.28    |
| 60001-150   | 150 lb    | 2 lb   | 408  | 308.28    |
| 60001-200   | 200 lb    | 2 lb   | 391  | 308.28    |
| 60001-250   | 250 lb    | 2 lb   | 148  | 308.28    |
| 60001-300   | 300 lb    | 2 lb   | 3422 | 308.28    |
| 60001-500   | 500 lb    | 2 lb   | 149  | 308.28    |
| 60001-750   | 750 lb    | 2 lb   | 150  | 308.28    |
| 60001-1K    | 1,000 lb  | 2 lb   | 151  | 308.28    |
| 60001-1.5K  | 1,500 lb  | 2 lb   | 152  | 308.28    |
| 60001-2K    | 2,000 lb  | 3 lb   | 153  | 308.28    |
| 60001-2.5K  | 2,500 lb  | 3 lb   | 154  | 350.08    |
| 60001-3K    | 3,000 lb  | 3 lb   | 155  | 350.08    |
| 60001-5K    | 5,000 lb  | 4 lb   | 156  | 496.38    |
| 60001-10K   | 10,000 lb | 5 lb   | 157  | 496.38    |
| 60001-15K   | 15,000 lb | 8 lb   | 158  | 700.15    |
| 60001-20K   | 20,000 lb | 18 lb  | 159  | 1,344.29  |



### Dimensions in inches

| Capacity | A    | B    | C    | T           |
|----------|------|------|------|-------------|
| 25-200   | 2.50 | 2.00 | 0.65 | 1/4-28 UNF  |
| 250, 300 | 3.00 | 2.00 | 0.75 | 3/8-24 UNF  |
| 500-2K   | 3.00 | 2.00 | 1.00 | 1/2-20 UNF  |
| 2.5K     | 3.00 | 2.00 | 1.00 | 1/2-20 UNF  |
| 3K       | 3.00 | 2.00 | 1.00 | 1/2-20 UNF  |
| 5K       | 4.25 | 3.00 | 1.00 | 3/4-16 UNF  |
| 10K      | 4.75 | 3.50 | 1.00 | 3/4-16 UNF  |
| 15K      | 5.50 | 4.00 | 1.25 | 1-14 UNF    |
| 20K      | 7.00 | 5.00 | 2.00 | 1-1/4-12UNF |

Prices are subject to change without notice. Please call for current prices.

Other items are available from the manufacturers, please call for quote.

# S Type

S Type

## 60050 Sensortronics

3 mv/v, 350/350 ohms, 20 ft 4 wire cable, stainless steel, IP67.

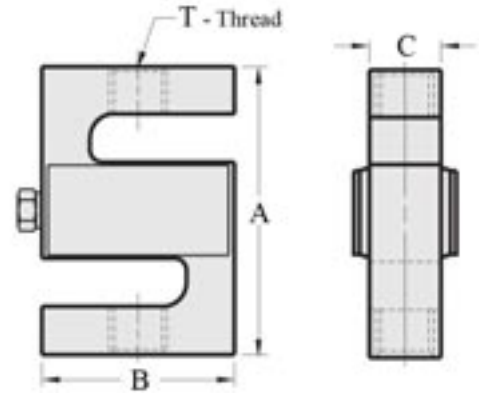
| Part Number | Capacity  | Weight | SKU  | List      |
|-------------|-----------|--------|------|-----------|
| 60050-25    | 25 lb     | 2 lb   | 383  | \$ 350.08 |
| 60050-50    | 50 lb     | 2 lb   | 384  | 350.08    |
| 60050-100   | 100 lb    | 2 lb   | 385  | 350.08    |
| 60050-200   | 200 lb    | 2 lb   | 386  | 350.08    |
| 60050-250   | 250 lb    | 2 lb   | 1086 | 350.08    |
| 60050-500   | 500 lb    | 2 lb   | 1087 | 350.08    |
| 60050-750   | 750 lb    | 2 lb   | 1088 | 350.08    |
| 60050-1K    | 1,000 lb  | 2 lb   | 1089 | 350.08    |
| 60050-1.5K  | 1,500 lb  | 2 lb   | 1090 | 350.08    |
| 60050-2K    | 2,000 lb  | 2 lb   | 1091 | 350.08    |
| 60050-2.5K  | 2,500 lb  | 3 lb   | 1092 | 350.08    |
| 60050-3K    | 3,000 lb  | 3 lb   | 1093 | 350.08    |
| 60050-5K    | 5,000 lb  | 4 lb   | 1094 | 465.03    |
| 60050-10K   | 10,000 lb | 5 lb   | 1095 | 666.71    |
| 60050-15K   | 15,000 lb | 8 lb   | 1096 | 840.18    |
| 60050-20K   | 20,000 lb | 18 lb  | 1097 | 1,164.13  |



60050

### Dimensions in inches

| Capacity | A    | B    | C    | T            |
|----------|------|------|------|--------------|
| 25-200   | 2.50 | 2.00 | 0.65 | 1/4-28 UNF   |
| 250, 300 | 3.00 | 2.00 | 0.75 | 3/8-24 UNF   |
| 500-2K   | 3.00 | 2.00 | 1.00 | 1/2-20 UNF   |
| 2.5K-3K  | 4.00 | 3.00 | 1.00 | 1/2-20 UNF   |
| 5K       | 4.25 | 3.00 | 1.25 | 3/4-16 UNF   |
| 10K      | 4.75 | 3.50 | 1.25 | 3/4-16 UNF   |
| 15K      | 5.50 | 4.00 | 1.50 | 1-14 UNF     |
| 20K      | 7.00 | 5.00 | 2.25 | 1 1/4-12 UNF |



Prices are subject to change without notice. Please call for current prices.

Other items are available from the manufacturers, please call for quote.

13-01 Pollitt Dr Ext  
Fair Lawn NJ 07410  
201-797-2718

**Totalcomp**  
Components

www.totalcomp.com  
sales@totalcomp.com  
Fax 201-797-2287

# S Type

S Type

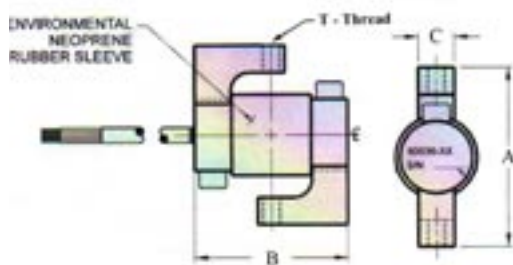


60036

## 60036 Sensortronics

3 mv/v, 350/350 ohms, 20 ft 4 wire cable, nickel plated steel, IP67.

| Part Number | Capacity | Weight | SKU | List      |
|-------------|----------|--------|-----|-----------|
| 60036-25    | 25 lb    | 2 lb   | 576 | \$ 295.00 |



### Dimensions in inches

| Capacity | A    | B    | C    | T          |
|----------|------|------|------|------------|
| 25-250   | 2.50 | 2.12 | 0.50 | 1/4-28 UNF |

# S Type

## BSP Revere, Bidirectional Super Precision

Both tension and compression loads, hermetically sealed.  
 3 mv/v for 100 lb to 2,500 lb, 2 mv/v for 5K & 10K,  
 350 ohm input, 350 ohm output  
 30 ft 4 wire cable, **stainless steel**. IP67.  
 100 lb thru 5,000 lb are NTEP.  
 NTEP Legal for Trade 88-089

| Part Number | Capacity  | mv/v | Weight | SKU | List        |
|-------------|-----------|------|--------|-----|-------------|
| BSP-100     | 100 lb    | 3    | 3 lb   | 972 | \$ 1,354.00 |
| BSP-250     | 250 lb    | 3    | 3 lb   | 973 | 1,135.00    |
| BSP-500     | 500 lb    | 3    | 3 lb   | 974 | 1,354.00    |
| BSP-1K      | 1,000 lb  | 3    | 3 lb   | 975 | 1,354.00    |
| BSP-2.5K    | 2,500 lb  | 3    | 4 lb   | 976 | 1,291.00    |
| BSP-5K      | 5,000 lb  | 2    | 5 lb   | 977 | 1,291.00    |
| BSP-10K     | 10,000 lb | 2    | 6 lb   | 978 | 1,274.00    |

### Metric capacities (kg)

|                   |        |   |      |     |          |
|-------------------|--------|---|------|-----|----------|
| 00BSP-125K-C3-00X | 125 kg | 3 | 3 lb | 971 | 1,215.00 |
|-------------------|--------|---|------|-----|----------|

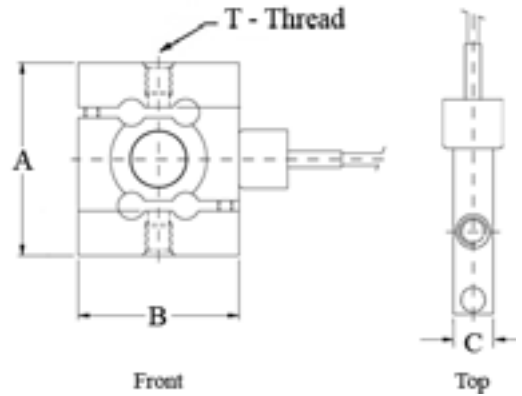
### Dimensions in inches

| Capacity | A    | B    | C    | T      |
|----------|------|------|------|--------|
| 100-250  | 3.32 | 2.48 | 0.91 | 3/8-24 |
| 500      | 3.50 | 2.44 | 0.71 | 1/2-20 |
| 1K       | 3.50 | 2.94 | 0.71 | 1/2-20 |
| 2.5K     | 3.75 | 2.44 | 0.95 | 1/2-20 |
| 5K, 10K  | 4.75 | 2.44 | 1.44 | 1-14   |



S Type

BSP



## UB6 Flintec

Total **stainless steel** construction. Complete welded hermetic sealing.  
 2 mv/v, 1,100/1,000 ohm, 20 ft 4 wire cable, **stainless steel**, IP68.  
 OIML R 60

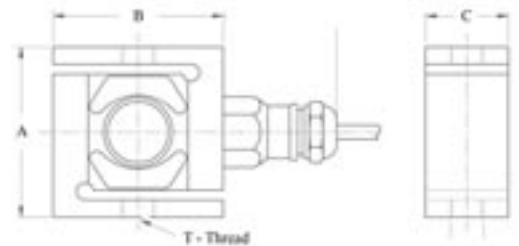
| Part Number   | Nominal  | Capacity | Weight | SKU | List      |
|---------------|----------|----------|--------|-----|-----------|
| UB6-1kN-US-GP | 225 lb   | 100 kg   | 2 lb   | 567 | \$ 457.00 |
| UB6-2kN-US-GP | 450 lb   | 200 kg   | 2 lb   | 568 | 457.00    |
| UB6-5kN-US-GP | 1,125 lb | 500 kg   | 2 lb   | 569 | 457.00    |

### Dimensions in inches

| Capacity  | A    | B    | C    | T      |
|-----------|------|------|------|--------|
| 100-500kg | 2.42 | 2.42 | 1.18 | 1/2-20 |



UB6



Prices are subject to change without notice. Please call for current prices.

Other items are available from the manufacturers, please call for quote.

13-01 Pollitt Dr Ext  
 Fair Lawn NJ 07410  
 201-797-2718

**Totalcomp**  
 Components

www.totalcomp.com  
 sales@totalcomp.com  
 Fax 201-797-2287

# S Type

S Type

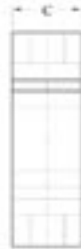
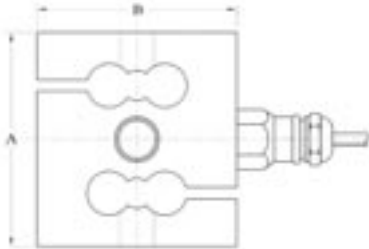


## UB1 Flintec

Total **stainless steel** construction. Complete welded hermetic sealing.  
2 mv/v, 1106/1000 ohm, 20 ft 4 wire cable, **stainless steel**, IP68.  
OIML R 60

| Part Number    | Nominal   | Capacity | Weight | SKU | List      |
|----------------|-----------|----------|--------|-----|-----------|
| UB1-10kN-US-GP | 2,250 lb  | 1,000 kg | 4 lb   | 570 | \$ 459.00 |
| UB1-20kN-US-GP | 4,500 lb  | 2,000 kg | 4 lb   | 571 | 459.00    |
| UB1-50kN-US-GP | 11,250 lb | 5,000 kg | 4 lb   | 572 | 702.00    |

UB1



### Dimensions in inches

| Capacity | A    | B    | C    | T          |
|----------|------|------|------|------------|
| 1t, 2t   | 3.62 | 3.38 | 1.18 | 5/8-18 UNF |
| 50t      | 5.35 | 5.63 | 1.69 | 1-12 UNF   |

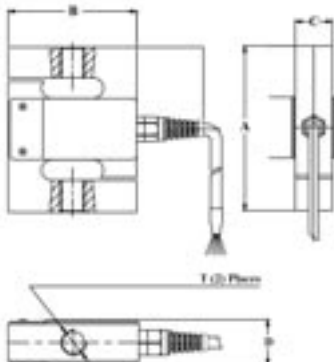


## 614 Tedeá Huntleigh

2mv/v 415/350, 3m 6 wire cable, aluminum, IP67  
OIML R60 44.

| Part Number | Nominal  | Capacity | Weight | SKU  | List      |
|-------------|----------|----------|--------|------|-----------|
| 614-50kg    | 100 lb   | 50 kg    | 2 lb   | 1420 | \$ 172.20 |
| 614-100kg   | 200 lb   | 100 kg   | 2 lb   | 1421 | 172.20    |
| 614-200kg   | 400 lb   | 200 kg   | 2 lb   | 1422 | 172.20    |
| 614-300kg   | 600 lb   | 300 kg   | 2 lb   | 1423 | 172.20    |
| 614-500kg   | 1,000 lb | 500 kg   | 2 lb   | 1424 | 172.20    |

614 Tedeá



### Dimensions in inches

| Capacity | A    | B    | C    | D    | T          |
|----------|------|------|------|------|------------|
| 50-500kg | 3.15 | 2.45 | 0.70 | 0.87 | 1/2-20 UNF |

Prices are subject to change without notice. Please call for current prices.

Other items are available from the manufacturers, please call for quote.



# S Type

S Type

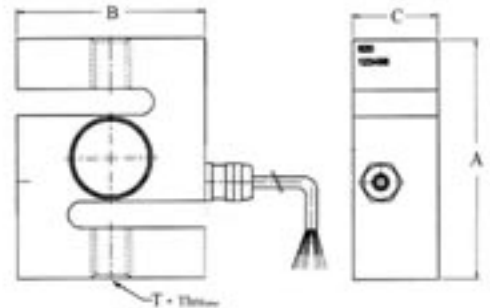
## 60063 Sensortronics

Welded hermetic seal. Physically interchangeable with Sensortronics 60001/60050.  
2 mv/v, 349-450/349-355 ohms, 20 ft 4 wire cable, **stainless steel**, IP68.  
NTEP Legal for Trade 98-019

| Part Number | Capacity  | Weight | SKU  | List      |
|-------------|-----------|--------|------|-----------|
| 60063-500   | 500 lb    | 3 lb   | 3556 | \$ 697.64 |
| 60063-750   | 750 lb    | 3 lb   | 3557 | 808.83    |
| 60063-1K    | 1,000 lb  | 3 lb   | 3558 | 808.83    |
| 60063-1.5K  | 1,500 lb  | 3 lb   | 3559 | 808.83    |
| 60063-2K    | 2,000 lb  | 3 lb   | 3560 | 808.83    |
| 60063-2.5K  | 2,500 lb  | 3 lb   | 3561 | 808.83    |
| 60063-3K    | 3,000 lb  | 3 lb   | 3562 | 808.83    |
| 60063-5K    | 5,000 lb  | 4 lb   | 3563 | 1,354.32  |
| 60063-10K*  | 10,000 lb | 5 lb   | 3564 | 1,354.32  |



60063



### Dimensions in inches

| Capacity | A    | B    | C    | T            |
|----------|------|------|------|--------------|
| 500-3K   | 3.00 | 2.00 | 1.00 | 1/2-20 UNF   |
| 5K, 10K  | 4.75 | 3.50 | 1.00 | 3/4-16 UNF   |
| 15K      | 5.50 | 4.00 | 1.25 | 1-14 UNF     |
| 20K      | 7.00 | 5.00 | 2.00 | 1 1/4-12 UNF |

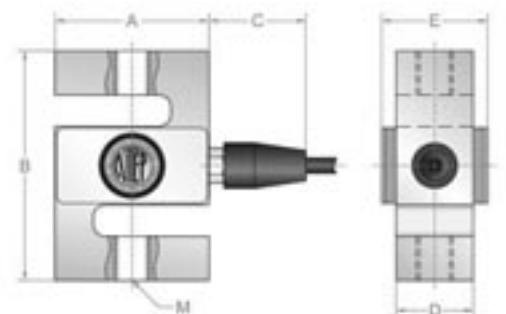
## BSS Transcell

Welded hermetic seal. Physically interchangeable with Sensortronics 60001/60050.  
3 mv/v, 387/350 ohms, 20 ft 4 wire cable, Alloy steel, IP67.  
NTEP Legal for Trade 97-028 (250 to 2.5k only)

| Part Number | Capacity  | Weight | SKU  | List      |
|-------------|-----------|--------|------|-----------|
| BSS-250     | 250 lb    | 3 lb   | 2476 | \$ 180.00 |
| BSS-500     | 500 lb    | 3 lb   | 2477 | 180.00    |
| BSS-1000    | 1,000 lb  | 3 lb   | 2478 | 180.00    |
| BSS-1500    | 1,500 lb  | 3 lb   | 2479 | 180.00    |
| BSS-2000    | 2,000 lb  | 3 lb   | 2480 | 180.00    |
| BSS-2500    | 2,500 lb  | 3 lb   | 2481 | 180.00    |
| BSS-3000    | 3,000 lb  | 3 lb   | 2482 | 180.00    |
| BSS-5000    | 5,000 lb  | 5 lb   | 2483 | 350.00    |
| BSS-10,000  | 10,000 lb | 5 lb   | 2484 | 350.00    |
| BSS-20,000  | 20,000 lb | 16 lb  | 2485 | 735.00    |



BSS



### Dimensions in inches

| Capacity | A    | B    | C    | T            |
|----------|------|------|------|--------------|
| 500-3K   | 3.00 | 2.00 | 1.00 | 1/2-20 UNF   |
| 5K, 10K  | 4.75 | 3.50 | 1.00 | 3/4-16 UNF   |
| 15K      | 5.50 | 4.00 | 1.25 | 1-14 UNF     |
| 20K      | 7.00 | 5.00 | 2.00 | 1 1/4-12 UNF |

Prices are subject to change without notice. Please call for current prices.

Other items are available from the manufacturers, please call for quote.

13-01 Pollitt Dr Ext  
Fair Lawn NJ 07410  
201-797-2718

**Totalcomp**  
Components

www.totalcomp.com  
sales@totalcomp.com  
Fax 201-797-2287

# S Type

S Type



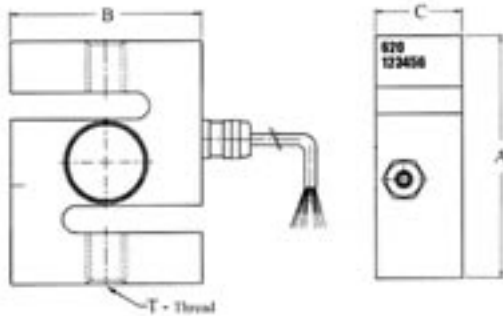
620



## 620 Tedeo Huntleigh

Ultimate protection for hostile weighing environment. All welded hermetic sealing and **stainless steel** construction while maintaining high accuracy. Polyurethane dual shielded cable.  
 2 mv/v, 400/350 ohm, 5m 6 wire cable, **stainless steel**, IP68.  
 NTEP Legal for Trade 95-130

| Part Number | Nominal   | Capacity | Weight | SKU  | List      |
|-------------|-----------|----------|--------|------|-----------|
| 620-500kg   | 1,000 lb  | 500 kg   | 3 lb   | 2820 | \$ 773.00 |
| 620-1000kg  | 2,000 lb  | 1,000 kg | 3 lb   | 2821 | 773.00    |
| 620-2000kg  | 4,000 lb  | 2,000 kg | 4 lb   | 2822 | 773.00    |
| 620-5000kg  | 10,000 lb | 5,000 kg | 5 lb   | 2823 | 887.21    |



### Dimensions in inches

| Capacity | A    | B    | C    | T      |
|----------|------|------|------|--------|
| 0.5-1t   | 3.54 | 2.75 | 1.25 | 1/2-20 |
| 2t       | 3.54 | 2.75 | 1.25 | 3/4-16 |
| 5t       | 4.72 | 3.94 | 1.77 | 1-12   |

Prices are subject to change without notice. Please call for current prices.

Other items are available from the manufacturers, please call for quote.

# S Type

## SBA CAS

3 mv/v, 400/350 ohm, 20 ft 4 wire cable, nickel plated steel, IP65  
 NTEP Legal for Trade 96-073

| Part Number | Capacity  | Weight | SKU  | List      |
|-------------|-----------|--------|------|-----------|
| SBA-50L     | 50 lb     | 3 lb   | 5682 | \$ 154.00 |
| SBA-75L     | 75 lb     | 3 lb   | 5683 | 154.00    |
| SBA-100L    | 100 lb    | 3 lb   | 5684 | 154.00    |
| SBA-150L    | 150 lb    | 3 lb   | 5685 | 179.00    |
| SBA-200L    | 200 lb    | 3 lb   | 5686 | 179.00    |
| SBA-250L    | 250 lb    | 3 lb   | 5687 | 179.00    |
| SBA-300L    | 300 lb    | 3 lb   | 5688 | 179.00    |
| SBA-500L    | 500 lb    | 3 lb   | 5689 | 179.00    |
| SBA-750L    | 750 lb    | 3 lb   | 5690 | 179.00    |
| SBA-1K      | 1,000 lb  | 3 lb   | 5691 | 189.00    |
| SBA-1.5K    | 1,500 lb  | 3 lb   | 5692 | 189.00    |
| SBA-2K      | 2,000 lb  | 3 lb   | 5693 | 189.00    |
| SBA-2.5K    | 2,500 lb  | 3 lb   | 5694 | 199.00    |
| SBA-3K      | 3,000 lb  | 3 lb   | 5695 | 199.00    |
| SBA-5K      | 5,000 lb  | 4 lb   | 5696 | 199.00    |
| SBA-7.5K    | 7,500 lb  | 5 lb   | 5697 | 229.00    |
| SBA-10K     | 10,000 lb | 5 lb   | 5698 | 229.00    |
| SBA-15K     | 15,000 lb | 8 lb   | 5699 | 269.00    |
| SBA-20K     | 20,000 lb | 18 lb  | 5700 | 319.00    |



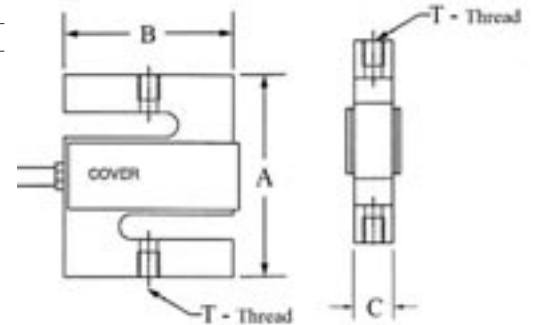
S Type

SBA



### Dimensions in inches

| Capacity  | A    | B    | C    | T            |
|-----------|------|------|------|--------------|
| 50-200    | 2.50 | 2.00 | 0.50 | 1/4-28 UNF   |
| 250, 300  | 3.00 | 2.00 | 0.50 | 3/8-24 UNF   |
| 500-2K    | 3.00 | 2.00 | 0.75 | 1/2-20 UNF   |
| 2.5K, 3K  | 3.00 | 2.00 | 1.00 | 1/2-20 UNF   |
| 5K        | 4.25 | 3.03 | 1.00 | 3/4-16 UNF   |
| 7.5K, 10K | 4.75 | 3.50 | 1.00 | 3/4-16 UNF   |
| 15K       | 6.50 | 4.00 | 1.25 | 1-14 UNF     |
| 20K       | 7.00 | 5.00 | 2.00 | 1 1/4-12 UNF |



Prices are subject to change without notice. Please call for current prices.

Other items are available from the manufacturers, please call for quote.

13-01 Pollitt Dr Ext  
 Fair Lawn NJ 07410  
 201-797-2718

**Totalcomp**  
 Components

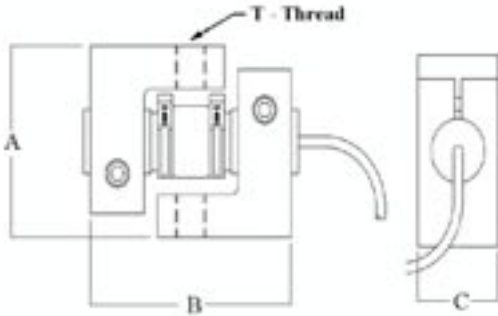
www.totalcomp.com  
 sales@totalcomp.com  
 Fax 201-797-2287

# S Type

S Type



CB



## CB Group Four

Interchangeable with RTI Model 263D. Stainless steel beam. Arms are nickel plated steel. 3 mv/v, 450/350 ohm, 11 ft 4 wire cable, **stainless steel**, IP67.

| Part Number | Capacity | Weight | SKU  | List        |
|-------------|----------|--------|------|-------------|
| CB-50       | 50 lb    | 5 lb   | 4636 | \$ 1,675.00 |
| CB-100      | 100 lb   | 5 lb   | 4637 | 1,675.00    |
| CB-200      | 200 lb   | 5 lb   | 4638 | 1,675.00    |
| CB-250      | 250 lb   | 5 lb   | 4639 | 1,675.00    |
| CB-300      | 300 lb   | 5 lb   | 4640 | 1,675.00    |
| CB-500      | 500 lb   | 5 lb   | 4641 | 1,675.00    |
| CB-1K       | 1,000 lb | 5 lb   | 4642 | 1,675.00    |
| CB-2K       | 2,000 lb | 5 lb   | 4643 | 1,804.00    |
| CB-3K       | 3,000 lb | 5 lb   | 4644 | 1,804.00    |

### Dimensions in inches

| Capacity | A    | B    | C    | T      |
|----------|------|------|------|--------|
| 50-1K    | 3.00 | 4.00 | 1.50 | 1/2-20 |
| 2K-3K    | 4.56 | 4.00 | 1.50 | 1/2-20 |

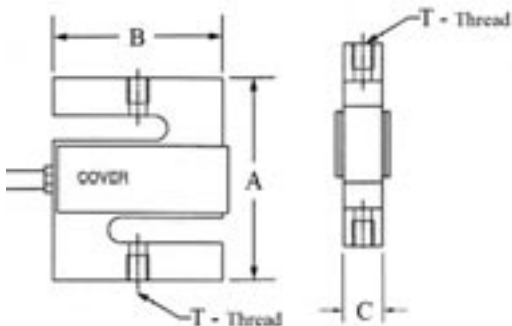


SB-10A

## SB Group Four

3 mv/v, 350/350 ohm, 10 ft 4 wire cable, aluminum, IP67.

| Part Number | Capacity | Weight | SKU  | List      |
|-------------|----------|--------|------|-----------|
| SB-10A      | 10 lb    | 2 lb   | 5997 | \$ 659.00 |



### Dimensions in inches

| Capacity | A    | B    | C    | T          |
|----------|------|------|------|------------|
| 10-200   | 2.50 | 2.00 | 0.46 | 1/4-28 UNF |

Prices are subject to change without notice. Please call for current prices.

Other items are available from the manufacturers, please call for quote.

# S Type

## H3G Zemic

Alloy steel, sealed by adhesive inside, oil-proof, waterproof and anti-corrosion, suitable for all kinds of environments  
3 mv/v, 430/351 ohm, 6m 4 wire cable, nickel plated steel, IP67.

| Part Number      | Capacity  | Weight | SKU  | List      |
|------------------|-----------|--------|------|-----------|
| H3G-N3-50-6YB    | 50 lb     | 2 lb   | 3732 | \$ 260.00 |
| H3G-N10-75-6YB   | 75 lb     | 2 lb   | 3733 | 260.00    |
| H3G-N10-100-6YB  | 100 lb    | 2 lb   | 3734 | 260.00    |
| H3G-N10-150-6YB  | 100 lb    | 2 lb   | 3735 | 260.00    |
| H3G-N10-200-6YB  | 200 lb    | 2 lb   | 3736 | 260.00    |
| H3G-N10-250-6YB  | 250 lb    | 2 lb   | 3737 | 260.00    |
| H3G-N10-300-6YB  | 300 lb    | 2 lb   | 3738 | 260.00    |
| H3G-N10-500-6YB  | 500 lb    | 2 lb   | 3739 | 260.00    |
| H3G-N10-750-6YB  | 750 lb    | 2 lb   | 3740 | 260.00    |
| H3G-N10-1k-6YB   | 1,000 lb  | 2 lb   | 3741 | 260.00    |
| H3G-N10-1.5k-6YB | 1,500 lb  | 2 lb   | 3742 | 260.00    |
| H3G-N10-2k-6YB   | 2,000 lb  | 2 lb   | 3743 | 285.00    |
| H3G-N10-2.5k-6YB | 2,500 lb  | 2 lb   | 3744 | 285.00    |
| H3G-N10-3k-6YB   | 3,000 lb  | 4 lb   | 3745 | 331.00    |
| H3G-N10-1k-6YB   | 5,000 lb  | 4 lb   | 3746 | 331.00    |
| H3G-N10-10k-6YB  | 10,000 lb | 4 lb   | 3747 | 331.00    |
| H3G-N10-15k-6YB  | 15,000 lb | 7 lb   | 3748 | 391.00    |
| H3G-N10-20k-6YB  | 20,000 lb | 17 lb  | 3749 | 520.00    |



H3G

S Type

## B3G Zemic

Stainless steel, sealed by adhesive inside, oil-proof, waterproof and anti-corrosion, suitable for all kinds of environments  
3 mv/v, 430/351 ohm, 6m 4 wire cable, stainless steel, IP67.

| Part Number      | Capacity  | Weight | SKU  | List      |
|------------------|-----------|--------|------|-----------|
| B3G-N3-50-6YB    | 50 lb     | 2 lb   | 3905 | \$ 352.00 |
| B3G-N3-75-6YB    | 75 lb     | 2 lb   | 3906 | 352.00    |
| B3G-N10-100-6YB  | 100 lb    | 2 lb   | 3907 | 352.00    |
| B3G-N10-150-6YB  | 150 lb    | 2 lb   | 3908 | 352.00    |
| B3G-N10-200-6YB  | 200 lb    | 2 lb   | 3909 | 352.00    |
| B3G-N10-250-6YB  | 250 lb    | 2 lb   | 3910 | 352.00    |
| B3G-N10-300-6YB  | 300 lb    | 2 lb   | 3911 | 352.00    |
| B3G-N10-500-6YB  | 500 lb    | 2 lb   | 3912 | 352.00    |
| B3G-N10-750-6YB  | 750 lb    | 2 lb   | 3913 | 352.00    |
| B3G-N10-1K-6YB   | 1,000 lb  | 2 lb   | 3914 | 352.00    |
| B3G-N10-1.5K-6YB | 1,500 lb  | 2 lb   | 3915 | 352.00    |
| B3G-N10-2K-6YB   | 2,000 lb  | 2 lb   | 3916 | 373.00    |
| B3G-N10-2.5K-6YB | 2,500 lb  | 2 lb   | 3917 | 373.00    |
| B3G-N10-3K-6YB   | 3,000 lb  | 4 lb   | 3918 | 398.00    |
| B3G-N10-5K-6YB   | 5,000 lb  | 4 lb   | 3919 | 398.00    |
| B3G-N10-10K-6YB  | 10,000 lb | 4 lb   | 3920 | 535.00    |
| B3G-N3-15K-6YB   | 15,000 lb | 7 lb   | 3921 | 724.00    |
| B3G-N3-20K-6YB   | 20,000 lb | 17 lb  | 3922 | 1,227.00  |



B3G

Prices are subject to change without notice. Please call for current prices.

Other items are available from the manufacturers, please call for quote.

13-01 Pollitt Dr Ext  
Fair Lawn NJ 07410  
201-797-2718

**Totalcomp**  
Components

www.totalcomp.com  
sales@totalcomp.com  
Fax 201-797-2287

# Beam

Beam



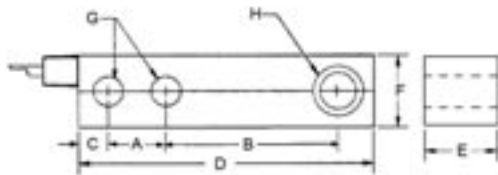
65023



## 65023 Scentroidronics

3 mv/v, 0.03% nonlinearity, 350/350 ohm, 20 ft 4 wire cable, nickel plated steel, IP67.  
NTEP Legal for Trade 86-044 1K thru 10K A in part number denotes NTEP certificate.

| Part Number                           | Capacity  | Weight | SKU  | List      |
|---------------------------------------|-----------|--------|------|-----------|
| 65023-250 *                           | 250 lb    | 3 lb   | 1714 | \$ 308.28 |
| 65023-500 *                           | 500 lb    | 3 lb   | 1737 | 308.28    |
| 65023A-1K                             | 1,000 lb  | 3 lb   | 107  | 308.28    |
| 65023A-1.5K                           | 1,500 lb  | 3 lb   | 4080 | 308.28    |
| 65023A-2K                             | 2,000 lb  | 3 lb   | 108  | 308.28    |
| 65023A-2.5K                           | 2,500 lb  | 3 lb   | 109  | 308.28    |
| 65023A-2.5K **                        | 2,500 lb  | 2 lb   | 1712 | 308.28    |
| ** Low profile 3/4" high, 10 ft cable |           |        |      |           |
| 65023A-4K                             | 4,000 lb  | 4 lb   | 110  | 308.28    |
| 65023A-5KSE-5223                      | 5,000 lb  | 4 lb   | 605  | 308.28    |
| 65023A-5K                             | 5,000 lb  | 5 lb   | 111  | 431.00    |
| 65023A-10K                            | 10,000 lb | 5 lb   | 112  | 431.00    |
| 5023-15K *                            | 15,000 lb | 9 lb   | 113  | 747.18    |
| 65023-20K *                           | 20,000 lb | 9 lb   | 114  | 747.18    |
| * Not NTEP                            |           |        |      |           |



### Dimensions in inches

| Capacity    | A    | B    | C    | D    | E    | F    | G    | H      |
|-------------|------|------|------|------|------|------|------|--------|
| 250,500     | 1.00 | 3.00 | 0.62 | 5.12 | 1.00 | 1.25 | 0.53 | 1/2-20 |
| 1K,4K, 5KSE | 1.00 | 3.00 | 0.62 | 5.12 | 1.25 | 1.25 | 0.53 | 1/2-20 |
| 5K,10K      | 1.50 | 3.75 | 0.75 | 6.75 | 1.50 | 1.50 | 0.78 | 3/4-16 |
| 15K,20K     | 2.00 | 4.88 | 1.00 | 8.88 | 2.00 | 2.00 | 1.03 | 1"-14  |

Prices are subject to change without notice. Please call for current prices.

Other items are available from the manufacturers, please call for quote.

# Beam

## 65023-SS Sensortronics

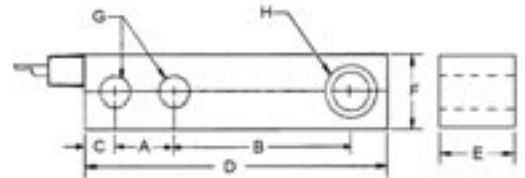
3 mv/v, 0.03% nonlinearity, 350/350 ohm, 20 ft 4 wire cable, **stainless steel**, IP67.  
 NTEP Legal for Trade 88-298A1 1K thru 10K S in part number denotes NTEP certificate.

| Part Number      | Capacity  | Weight | SKU  | List      |
|------------------|-----------|--------|------|-----------|
| 65023-250-0113 * | 250 lb    | 3 lb   | 1715 | \$ 339.63 |
| 65023-500-0113 * | 500 lb    | 3 lb   | 1738 | 339.63    |
| 65023S-1K-5113   | 1,000 lb  | 3 lb   | 725  | 339.63    |
| 65023S-2K-5113   | 2,000 lb  | 3 lb   | 726  | 339.63    |
| 65023S-2.5K-5113 | 2,500 lb  | 3 lb   | 727  | 339.63    |
| 65023S-4K-5113   | 4,000 lb  | 3 lb   | 728  | 339.63    |
| 65023S-5KSE-5225 | 5,000 lb  | 4 lb   | 607  | 339.63    |
| 65023S-5K-5113   | 5,000 lb  | 5 lb   | 729  | 433.68    |
| 65023S-10K-5113  | 10,000 lb | 5 lb   | 730  | 433.68    |
| 65023-15K-0113 * | 15,000 lb | 9 lb   | 731  | 933.19    |
| 65023-20K-0113 * | 20,000 lb | 9 lb   | 732  | 933.19    |

\* Not NTEP



65023-SS



### Dimensions in inches

| Capacity | A    | B    | C    | D    | E    | F    | G    | H      |
|----------|------|------|------|------|------|------|------|--------|
| 250,500  | 1.00 | 3.00 | 0.62 | 5.12 | 1.00 | 1.25 | 0.53 | 1/2-20 |
| 1K,4K    | 1.00 | 3.00 | 0.62 | 5.12 | 1.25 | 1.25 | 0.53 | 1/2-20 |
| 5K,10K   | 1.50 | 3.75 | 0.75 | 6.75 | 1.50 | 1.50 | 0.78 | 3/4-16 |
| 15K,20K  | 2.00 | 4.88 | 1.00 | 8.88 | 2.00 | 2.00 | 1.03 | 1"-14  |

Prices are subject to change without notice. Please call for current prices.

Other items are available from the manufacturers, please call for quote.

13-01 Pollitt Dr Ext  
 Fair Lawn NJ 07410  
 201-797-2718

**Totalcomp**  
 Components

www.totalcomp.com  
 sales@totalcomp.com  
 Fax 201-797-2287

# Beam

Beam



65083S



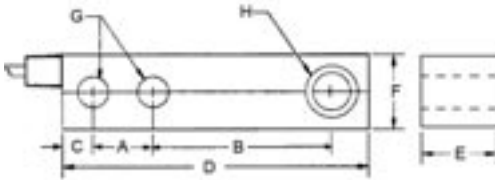
## 65083S Sensortronics, stainless steel 2 mv/v

Welded seal **stainless steel** cell that is physically but not electrically (2 mv/v rather than 3 mv/v) interchangeable with Sensortronics Model 65023 and RTI Models 5123/9123. White teflon load cell cable, except the 5KSE which has black cable  
2 mv/v, 350/350 ohm, 20 ft 4 wire cable, **stainless steel**, IP68.  
NTEP Legal for Trade 95-058

| Part Number                   | Capacity  | Weight | SKU  | List      |
|-------------------------------|-----------|--------|------|-----------|
| 65083S-1K-5100                | 1,000 lb  | 3 lb   | 2463 | \$ 344.85 |
| 65083S-1.5K-5100              | 1,500 lb  | 3 lb   | 2464 | 344.85    |
| 65083S-2.5K-5100              | 2,500 lb  | 3 lb   | 2465 | 344.85    |
| 65083S-4K-5100                | 4,000 lb  | 3 lb   | 2466 | 344.85    |
| 65083S-5KSE-5132(black cable) | 5,000 lb  | 3 lb   | 2683 | 344.85    |
| 65083S-5K-5100                | 5,000 lb  | 5 lb   | 2467 | 458.76    |
| 65083S-10K-5100               | 10,000 lb | 5 lb   | 2468 | 458.76    |

## OIML(C) and SS (S) with Metric thread (M)

|                      |          |      |      |        |
|----------------------|----------|------|------|--------|
| 65083CS-1000kg-3000M | 1,000 kg | 3 lb | 4882 | 344.85 |
|----------------------|----------|------|------|--------|



### Dimensions in inches

| Capacity | A    | B    | C    | D    | E    | F    | G    | H      |
|----------|------|------|------|------|------|------|------|--------|
| 1K-5KSE  | 1.00 | 3.00 | 0.62 | 5.12 | 1.22 | 1.22 | 0.53 | 1/2-20 |
| 5K,10K   | 1.50 | 3.75 | 0.75 | 6.75 | 1.50 | 1.50 | 0.78 | 3/4-16 |



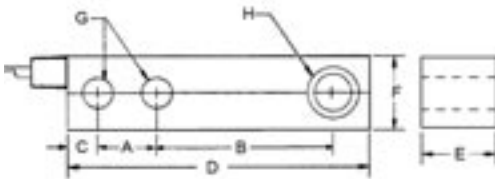
65083



## 65083 Sensortronics, stainless steel 3 mv/v

Welded seal **stainless steel** cell that is interchangeable with Sensortronics Model 65023 and RTI Models 5123/9123. White teflon load cell cable.  
3 mv/v, 350/350 ohm, 20 ft 4 wire cable, **stainless steel**, IP68.

| Part Number     | Capacity  | Weight | SKU  | List      |
|-----------------|-----------|--------|------|-----------|
| 65083-1K-0100   | 1,000 lb  | 3 lb   | 3806 | \$ 313.50 |
| 65083-1.5K-0100 | 1,500 lb  | 3 lb   | 3807 | 313.50    |
| 65083-2.5K-0100 | 2,500 lb  | 3 lb   | 3808 | 313.50    |
| 65083-4K-0100   | 4,000 lb  | 3 lb   | 3809 | 313.50    |
| 65083-5K-0100   | 5,000 lb  | 5 lb   | 3810 | 422.18    |
| 65083-10K-0100  | 10,000 lb | 5 lb   | 3811 | 422.18    |
| 65083-15K-0100  | 15,000 lb | 9 lb   | 3812 | 772.26    |



### Dimensions in inches

| Capacity | A    | B    | C    | D    | E    | F    | G    | H      |
|----------|------|------|------|------|------|------|------|--------|
| 1K-5KSE  | 1.00 | 3.00 | 0.62 | 5.12 | 1.22 | 1.22 | 0.53 | 1/2-20 |
| 5K,10K   | 1.50 | 3.75 | 0.75 | 6.75 | 1.50 | 1.50 | 0.78 | 3/4-16 |
| 15K-20K  | 2.00 | 4.88 | 1.00 | 8.75 | 2.00 | 2.00 | 1.06 | 1"-14  |

Prices are subject to change without notice. Please call for current prices.

Other items are available from the manufacturers, please call for quote.



## 65083H Scentroidronics

Hermetically sealed stainless steel cell that is physically but not electrically (2 mv/v rather than 3 mv/v) interchangeable with Scentroidronics Model 65023 and RTI Models 5123/9123. Includes a glass thru metal seal at cable entry for true hermetic sealing. 2 mv/v, 350/350 ohm, 20 ft 4 wire cable, stainless steel, IP68. NTEP Legal for Trade 95-058

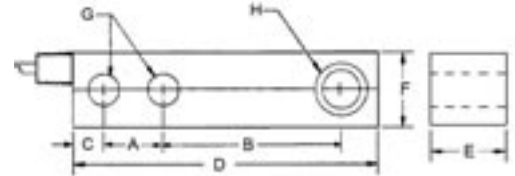
| Part Number       | Capacity  | Weight | SKU  | List      |
|-------------------|-----------|--------|------|-----------|
| 65083S-1K-5000H   | 1,000 lb  | 3 lb   | 2305 | \$ 462.94 |
| 65083S-1.5K-5000H | 1,500 lb  | 3 lb   | 2306 | 462.94    |
| 65083S-2.5K-5000H | 2,500 lb  | 3 lb   | 2307 | 462.94    |
| 65083S-4K-5000H   | 4,000 lb  | 3 lb   | 2308 | 462.94    |
| 65083S-5K-5000H   | 5,000 lb  | 5 lb   | 2309 | 567.44    |
| 65083S-10K-5000H  | 10,000 lb | 5 lb   | 2310 | 567.44    |

### Dimensions in inches

| Capacity | A    | B    | C    | D    | E    | F    | G    | H      |
|----------|------|------|------|------|------|------|------|--------|
| 1K-5KSE  | 1.00 | 3.00 | 0.62 | 5.12 | 1.22 | 1.22 | 0.53 | 1/2-20 |
| 5K,10K   | 1.50 | 3.75 | 0.75 | 6.75 | 1.50 | 1.50 | 0.78 | 3/4-16 |



65083H



## 60030 Scentroidronics

Used in Electroscale High Impact LC Scale. 3 mv/v, 350/350 ohm, 20 ft 4 wire cable, nickel plated steel, IP67.

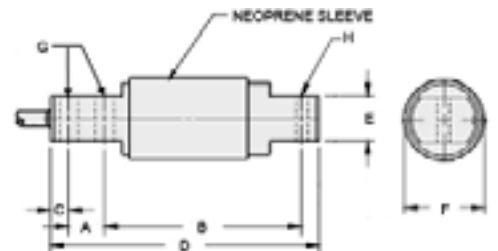
| Part Number | Capacity | Weight | SKU | List      |
|-------------|----------|--------|-----|-----------|
| 60030-50    | 50 lb    | 1 lb   | 393 | \$ 447.68 |

### Dimensions in inches

| Capacity | A    | B    | C    | D    | E    | F    | G     | H     |
|----------|------|------|------|------|------|------|-------|-------|
| 25-300   | 0.50 | 2.75 | 0.25 | 3.75 | 0.63 | 1.12 | 0.265 | 0.172 |



60030



## 60040 Scentroidronics

3 mv/v, 350/350 ohm, 20 ft 4 wire cable, nickel plated steel, IP65.

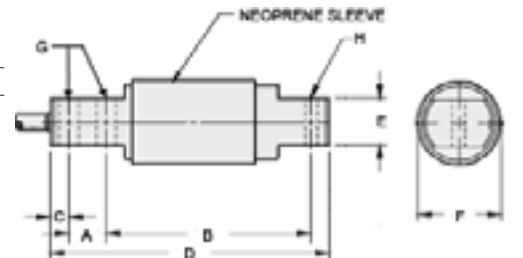
| Part Number | Capacity | Weight | SKU | List      |
|-------------|----------|--------|-----|-----------|
| 60040-25    | 25 lb    | 1 lb   | 105 | \$ 377.68 |
| 60040-50    | 50 lb    | 1 lb   | 139 | 357.41    |
| 60040-75    | 75 lb    | 1 lb   | 140 | 256.03    |
| 60040-100   | 100 lb   | 1 lb   | 141 | 253.80    |
| 60040-150   | 150 lb   | 1 lb   | 142 | 251.97    |
| 60040-250   | 250 lb   | 1 lb   | 143 | 251.97    |
| 60040-500   | 500 lb   | 1 lb   | 106 | 256.03    |

### Dimensions in inches

| Capacity | A    | B    | C    | D    | E    | F    | G    | H    |
|----------|------|------|------|------|------|------|------|------|
| 25-500   | 0.50 | 1.81 | 0.25 | 2.81 | 0.62 | 1.13 | 0.26 | 0.26 |



60040



Prices are subject to change without notice. Please call for current prices.

Other items are available from the manufacturers, please call for quote.

# Beam

Beam



TSB



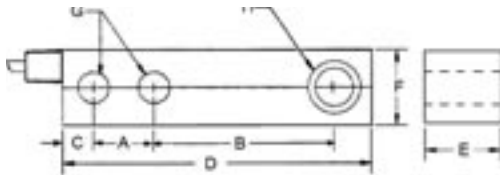
## TSB Totalcomp

Interchangeable with Sensortronics 65023 and RTI 5123.  
3 mv/v, 0.03% nonlinearity, 350/350 ohm, 20 ft 4 wire cable, nickel plated steel, IP67.  
NTEP Legal for Trade 93-123 (1,000 - 10,000 lb)

| Part Number  | Capacity  | Weight | SKU  | List      |
|--------------|-----------|--------|------|-----------|
| TSB-250 *    | 250 lb    | 3 lb   | 2249 | \$ 308.28 |
| TSB-500 *    | 500 lb    | 3 lb   | 2250 | 308.28    |
| TSB-1K       | 1,000 lb  | 3 lb   | 2251 | 308.28    |
| TSB-1.5K     | 1,500 lb  | 3 lb   | 2694 | 308.28    |
| TSB-2K       | 2,000 lb  | 3 lb   | 2252 | 308.28    |
| TSB-2.5K     | 2,500 lb  | 3 lb   | 2253 | 308.28    |
| TSB-4K       | 4,000 lb  | 3 lb   | 2254 | 308.28    |
| TSB-5K-SE    | 5,000 lb  | 3 lb   | 2255 | 308.28    |
| TSB-5K       | 5,000 lb  | 5 lb   | 2256 | 391.88    |
| TSB-10K      | 10,000 lb | 5 lb   | 2257 | 391.88    |
| TSB-15K *    | 15,000 lb | 9 lb   | 2258 | 640.55    |
| TSB-20K-12 * | 20,000 lb | 9 lb   | 3998 | 747.18    |
| TSB-20K-14 * | 20,000 lb | 9 lb   | 2259 | 747.18    |

\* Not NTEP

### Dimensions in inches



| Capacity    | A    | B    | C    | D    | E    | F    | G    | H      |
|-------------|------|------|------|------|------|------|------|--------|
| 250,500     | 1.00 | 3.00 | 0.62 | 5.12 | 1.00 | 1.25 | 0.53 | 1/2-20 |
| 1K,4K, 5KSE | 1.00 | 3.00 | 0.62 | 5.12 | 1.25 | 1.25 | 0.53 | 1/2-20 |
| 5K,10K      | 1.50 | 3.75 | 0.75 | 6.75 | 1.50 | 1.50 | 0.78 | 3/4-16 |
| 15K         | 2.00 | 4.88 | 1.00 | 8.75 | 2.00 | 2.00 | 1.03 | 1"-14  |
| 20K-12      | 2.00 | 4.88 | 1.00 | 8.75 | 2.00 | 2.00 | 1.03 | 1"-12  |
| 20K-14      | 2.00 | 4.88 | 1.00 | 8.75 | 2.00 | 2.00 | 1.03 | 1"-14  |



TSB-SS



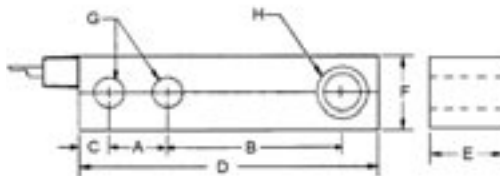
## TSB-SS Totalcomp

Interchangeable with Sensortronics 65023-SS and RTI 9123.  
3 mv/v, 0.03% nonlinearity, 350/350 ohm, 20 ft 4 wire cable, stainless steel, IP67.  
NTEP Legal for Trade 94-019 (1,000 lb - 10,000 lb)

| Part Number     | Capacity  | Weight | SKU  | List      |
|-----------------|-----------|--------|------|-----------|
| TSB-250-SS *    | 250 lb    | 3 lb   | 2260 | \$ 339.63 |
| TSB-500-SS *    | 500 lb    | 3 lb   | 2261 | 339.63    |
| TSB-1K-SS       | 1,000 lb  | 3 lb   | 2262 | 339.63    |
| TSB-1.5K-SS     | 1,500 lb  | 3 lb   | 2695 | 339.63    |
| TSB-2K-SS       | 2,000 lb  | 3 lb   | 2263 | 339.63    |
| TSB-2.5K-SS     | 2,500 lb  | 3 lb   | 2264 | 339.63    |
| TSB-4K-SS       | 4,000 lb  | 3 lb   | 2265 | 339.63    |
| TSB-5K-SE-SS    | 5,000 lb  | 3 lb   | 2266 | 339.63    |
| TSB-5K-SS       | 5,000 lb  | 5 lb   | 2267 | 433.68    |
| TSB-10K-SS      | 10,000 lb | 5 lb   | 2268 | 433.68    |
| TSB-15K-SS *    | 15,000 lb | 9 lb   | 2269 | 933.19    |
| TSB-20K-12-SS   | 20,000 lb | 9 lb   | 3999 | 933.19    |
| TSB-20K-14-SS * | 20,000 lb | 9 lb   | 2270 | 933.19    |

\* Not NTEP

### Dimensions in inches



| Capacity    | A    | B    | C    | D    | E    | F    | G    | H      |
|-------------|------|------|------|------|------|------|------|--------|
| 250,500     | 1.00 | 3.00 | 0.62 | 5.12 | 1.00 | 1.25 | 0.53 | 1/2-20 |
| 1K,4K, 5KSE | 1.00 | 3.00 | 0.62 | 5.12 | 1.25 | 1.25 | 0.53 | 1/2-20 |
| 10K         | 1.50 | 3.75 | 0.75 | 6.75 | 1.50 | 1.50 | 0.78 | 3/4-16 |
| 15K         | 2.00 | 4.88 | 1.00 | 8.75 | 2.00 | 2.00 | 1.03 | 1"-14  |
| 20K-12      | 2.00 | 4.88 | 1.00 | 8.75 | 2.00 | 2.00 | 1.03 | 1"-12  |
| 20K-14      | 2.00 | 4.88 | 1.00 | 8.75 | 2.00 | 2.00 | 1.03 | 1"-14  |

Prices are subject to change without notice. Please call for current prices.

Other items are available from the manufacturers, please call for quote.

## TB9523 Totalcomp

Hermetically sealed **stainless steel** cell that is interchangeable with Sensortronics 65023 and RTI 5123/9123.

3 mv/v, 350/350 ohm, 20 ft 4 wire cable, **stainless steel**, IP67.

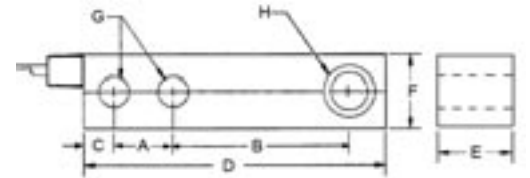
| Part Number | Capacity  | Weight | SKU | List      |
|-------------|-----------|--------|-----|-----------|
| TB9523-1K   | 1,000 lb  | 3 lb   | 980 | \$ 569.53 |
| TB9523-2.5K | 2,500 lb  | 3 lb   | 981 | 569.53    |
| TB9523-4K   | 4,000 lb  | 3 lb   | 982 | 569.53    |
| TB9523-5K   | 5,000 lb  | 5 lb   | 983 | 627.00    |
| TB9523-10K  | 10,000 lb | 5 lb   | 984 | 653.13    |

### Dimensions in inches

| Capacity | A    | B    | C    | D    | E    | F    | G    | H      |
|----------|------|------|------|------|------|------|------|--------|
| 1K-4K    | 1.00 | 3.00 | 1.62 | 6.12 | 1.25 | 1.25 | 0.53 | 1/2-20 |
| 5K,10K   | 1.50 | 3.75 | 1.71 | 7.71 | 1.50 | 1.50 | 0.78 | 3/4-16 |



TB9523



Beam

## TBH35 Totalcomp

Hermetically sealed **stainless steel** cell that is interchangeable with Sensortronics Model 65023, RTI Models 5123/9123 and Toledo model 713. The cable color code is different.

3 mv/v, 350/350 ohm, 20 ft 4 wire cable, **stainless steel**, IP67.

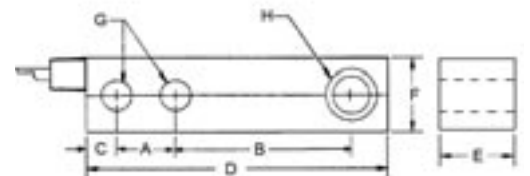
| Part Number    | Capacity | Weight | SKU  | List      |
|----------------|----------|--------|------|-----------|
| TBH35-500-SS   | 500 lb   | 3 lb   | 6181 | \$ 338.00 |
| TBH35-1K-SS    | 1,000 lb | 3 lb   | 134  | 338.00    |
| TBH35-2.5K-SS  | 2,500 lb | 3 lb   | 135  | 338.00    |
| TBH35-4K-SS    | 4,000 lb | 3 lb   | 136  | 338.00    |
| TBH35-5K-SE-SS | 5,000 lb | 4 lb   | 137  | 338.00    |

### Dimensions in inches

| Capacity | A    | B    | C    | D    | E    | F    | G    | H      |
|----------|------|------|------|------|------|------|------|--------|
| 1K-5KSE  | 1.00 | 3.00 | 0.62 | 5.12 | 1.12 | 1.21 | 0.53 | 1/2-20 |
| 10K-SS   | 1.50 | 3.75 | 0.62 | 6.75 | 1.44 | 1.44 | 0.75 | 3/4-16 |



TBH35



## TB745 Totalcomp

Stainless steel cell that is interchangeable with Toledo beam load cells for 745 mount.

2 mv/v, 350/350 ohm, 30 ft 4 wire cable **stainless steel**, IP67.

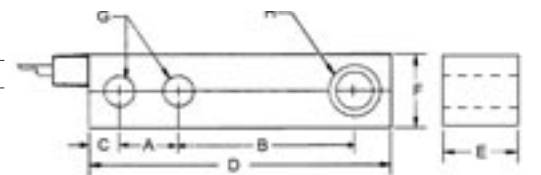
| Part Number    | Toledo     | Capacity  | Weight | SKU  | List      |
|----------------|------------|-----------|--------|------|-----------|
| TB745-500-SS   | TB600529   | 500 lb    | 3 lb   | 3072 | \$ 462.00 |
| TB745-1K-SS    |            | 1,000 lb  | 3 lb   | 2105 | 462.00    |
| TB745-1.25K-SS | TB600363-1 | 1,250 lb  | 3 lb   | 3073 | 462.00    |
| TB745-2.5K-SS  | TB600342-1 | 2,500 lb  | 3 lb   | 3074 | 462.00    |
| TB745-4K-SS    |            | 4,000 lb  | 3 lb   | 3075 | 462.00    |
| TB745-5K-SS    | TB600343-1 | 5,000 lb  | 4 lb   | 3076 | 635.25    |
| TB745-10K-SS   | TB600364-1 | 10,000 lb | 6 lb   | 3077 | 750.75    |

### Dimensions in inches

| Capacity | A    | B    | C    | D    | E    | F    | G     | H    |
|----------|------|------|------|------|------|------|-------|------|
| 500-4K   | 1.00 | 3.00 | 0.62 | 5.18 | 1.10 | 1.19 | 0.515 | 0.95 |
| 5K-10K   | 1.50 | 3.75 | 0.62 | 6.65 | 1.63 | 1.45 | 0.780 | 1.37 |



TB745



Prices are subject to change without notice. Please call for current prices.

Other items are available from the manufacturers, please call for quote.

13-01 Pollitt Dr Ext  
Fair Lawn NJ 07410  
201-797-2718

**Totalcomp**  
Components

www.totalcomp.com  
sales@totalcomp.com  
Fax 201-797-2287

# Beam

Beam

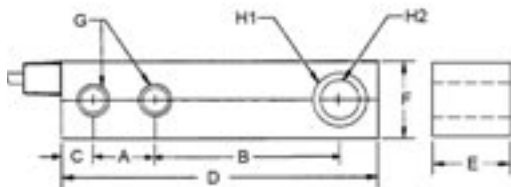


TSB3

## TSB3 Totalcomp

Interchangeable with HBM SB3  
 2 mv/v, 380/350 ohms, 20 ft 4 wire cable. **stainless steel** (1K-10K), nickel plated steel (20K)

| Part Number | Capacity  | Weight | SKU | List      |
|-------------|-----------|--------|-----|-----------|
| TSB3-1K     | 1,000 lb  | 6 lb   | 37  | \$ 687.23 |
| TSB3-2K     | 2,000 lb  | 6 lb   | 38  | 687.23    |
| TSB3-5K     | 5,000 lb  | 6 lb   | 39  | 687.23    |
| TSB3-10K    | 10,000 lb | 12 lb  | 40  | 814.28    |
| TSB3-20K    | 20,000 lb | 19 lb  | 41  | 1,195.43  |



### Dimensions in inches

| Capacity | A    | B    | C    | D     | E    | F    | G    | H1   | H2   |
|----------|------|------|------|-------|------|------|------|------|------|
| 1-5K     | 2.50 | 3.87 | 0.75 | 8.00  | 1.88 | 1.44 | 0.52 | 1.19 | 0.68 |
| 10K      | 2.62 | 4.87 | 0.83 | 9.25  | 2.75 | 1.88 | 0.88 | 1.63 | 1.00 |
| 20K      | 3.25 | 5.50 | 1.00 | 11.00 | 3.25 | 2.38 | 1.06 | 2.01 | 1.25 |



TBM4

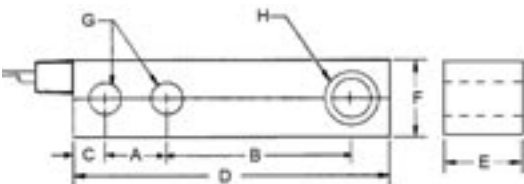
New Style shown with step (pistol grip)

## TBM4 Totalcomp

Interchangeable with Toledo®/Masstron ML4000 Series with blind load hole. 12.5" long, 2.75"W, 2.75"H, 3.5" mounting hole spacing, 6.25" load hole spacing. 2 mv/v, 0.03% nonlinearity, 350/350 ohm, 30 ft 4 wire cable, nickel plated steel, IP67.

| Part Number | Toledo    | Capacity  | Weight | SKU | List        |
|-------------|-----------|-----------|--------|-----|-------------|
| TBM4-35K    | ML4437    | 35,000 lb | 26 lb  | 666 | \$ 1,829.52 |
| TBM4-45K    | ML4447/49 | 45,000 lb | 28 lb  | 871 | 1,829.52    |
| TBM42-45K * | 13329000B | 45,000 lb | 28 lb  | 129 | 1,829.52    |

\* 2,000 ohm bridge



### Dimensions in inches

| Capacity | A    | B    | C    | D     | E    | F    | G    | H    |
|----------|------|------|------|-------|------|------|------|------|
| 35K,45K  | 3.50 | 6.25 | 1.25 | 12.50 | 2.75 | 2.75 | 1.31 | 1.50 |

## GB745 Totalcomp

Hermetically sealed stainless steel cell that is interchangeable with Toledo beam load cells for 745 mount.

2 mv/v, 350/350 ohm, 30 ft 4 wire cable stainless steel, IP67.

| Part Number    | Toledo     | Capacity  | Weight | SKU  | List      |
|----------------|------------|-----------|--------|------|-----------|
| GB745-500-SS   | TB600529   | 500 lb    | 3 lb   | 7946 | \$ 384.62 |
| GB745-1K-SS    |            | 1,000 lb  | 3 lb   | 7947 | 384.62    |
| GB745-1.25K-SS | TB600363-1 | 1,250 lb  | 3 lb   | 7948 | 384.62    |
| GB745-2.5K-SS  | TB600342-1 | 2,500 lb  | 3 lb   | 7949 | 384.62    |
| GB745-4K-SS    |            | 4,000 lb  | 3 lb   | 7950 | 384.62    |
| GB745-5K-SS    | TB600343-1 | 5,000 lb  | 4 lb   | 7951 | 406.56    |
| GB745-10K-SS   | TB600364-1 | 10,000 lb | 6 lb   | 7952 | 604.07    |

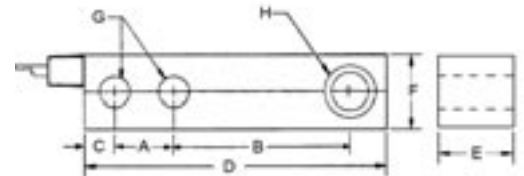


GB745

Beam

### Dimensions in inches

| Capacity | A    | B    | C    | D    | E    | F    | G     | H    |
|----------|------|------|------|------|------|------|-------|------|
| 500-4K   | 1.00 | 3.00 | 0.62 | 5.18 | 1.10 | 1.19 | 0.515 | 0.95 |
| 5K-10K   | 1.50 | 3.75 | 0.62 | 6.65 | 1.63 | 1.45 | 0.780 | 1.37 |



## TB2 Totalcomp

Interchangeable with Toledo® beam load cells for 1985/2095/2155/2885 platforms.

2 mv/vS, 440/450 ohm, 15 ft 4 wire cable, stainless steel, IP67.

| Part Number                            | Toledo®   | Capacity | Weight | SKU  | List      |
|--|-----------|----------|--------|------|-----------|
| Replacement for Toledo® 2095 platform. |           |          |        |      |           |
| TB2-100-SS                             | 11102200A | 100 lb   | 4 lb   | 1457 | \$ 628.90 |
| TB2-200-SS                             | 11103500A | 200 lb   | 4 lb   | 1458 | 628.90    |
| TB2-250-SS                             |           | 250 lb   | 4 lb   | 4473 | 628.90    |
| TB2-300-SS                             |           | 300 lb   | 4 lb   | 4474 | 628.90    |

Replacement for Toledo® 2155 & 2885 low profile platforms.

|            |                                      |          |      |      |        |
|------------|--------------------------------------|----------|------|------|--------|
| TB2-500-SS | 11785600A (2155)<br>12744300B (2885) | 500 lb   | 4 lb | 1459 | 628.90 |
| TB2-1K-SS  | 11786900A                            | 1,000 lb | 4 lb | 1460 | 628.90 |
| TB2-2K-SS  | 11788500A                            | 2,000 lb | 4 lb | 1461 | 628.90 |

### Mounting hardware

|                                   |  |  |      |      |       |
|-----------------------------------|--|--|------|------|-------|
| Bearing cup and ball for TB2 beam |  |  | 1 lb | 1474 | 66.60 |
| Conical load button for TB2 beam  |  |  | 1 lb | 708  | 83.33 |



TB2

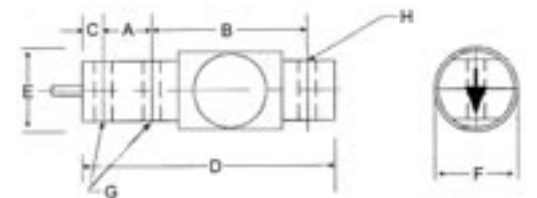


Conical Load Button  
100-300 lb

TB2-TB3  
Bearing cup  
and 7/8" dia ball  
500-2K SS

### Dimensions in inches

| Capacity | A    | B    | C    | D    | E    | F    | G    | H      |
|----------|------|------|------|------|------|------|------|--------|
| 100, 300 | 2.00 | 2.45 | 0.50 | 5.37 | 1.00 | 1.00 | 0.53 | 0.19   |
| 500-2K   | 1.00 | 4.00 | 0.50 | 6.13 | 1.75 | 1.75 | 0.53 | 1/2-20 |



# Beam

Beam

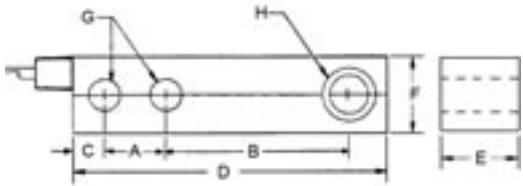


TB743

## TB743 Totalcomp

Interchangeable with Toledo® beam load cells for 743 Flexmount.  
2 mv/v, 350/350 ohm, 20 ft 4 wire cable, **stainless steel**, IP67

| Part Number | Toledo    | Masstron | Capacity  | Weight | SKU  | List      |
|-------------|-----------|----------|-----------|--------|------|-----------|
| TB743-1K    | 13136900C | ML4311   | 1,000 lb  | 6 lb   | 2910 | \$ 889.35 |
| TB743-3K    | 13079300C | ML4331   | 3,000 lb  | 6 lb   | 2911 | 889.35    |
| TB743-5K    | 13078900C | ML4350   | 5,000 lb  | 6 lb   | 2912 | 889.35    |
| TB743-10K   | 13078400C | ML4410   | 10,000 lb | 9 lb   | 2913 | 1,111.11  |
| TB743-20K   | 13077500C | ML4420   | 20,000 lb | 18 lb  | 2914 | 1,111.11  |
| TB743-45K   | 0743      | ML4437   | 45,000 lb | 24 lb  | 2954 | 1,842.23  |



### Dimensions in inches

| Capacity | A     | B     | C     | D      | E     | F     | G     | H     |
|----------|-------|-------|-------|--------|-------|-------|-------|-------|
| 1K-5K    | 2.500 | 3.880 | 0.620 | 7.993  | 1.450 | 1.463 | 0.500 | 1.200 |
| 10K      | 2.625 | 4.860 | 0.754 | 9.250  | 2.059 | 1.702 | 0.767 | 1.480 |
| 20K      | 3.250 | 5.419 | 1.035 | 11.000 | 2.375 | 2.335 | 1.036 | 1.835 |
| 45K      | 3.500 | 6.250 | 1.250 | 12.500 | 3.250 | 2.750 | 1.310 | 1.500 |

Prices are subject to change without notice. Please call for current prices.

Other items are available from the manufacturers, please call for quote.

# Beam

## TZ6 Totalcomp

**Hermetically sealed.** Interchangeable with HBM Z6, RTI SHB, Tedeo DC6, Cardinal CB6, Toledo model 777.  
2 mv/v, 380/350 ohms, 3 m 6 wire cable, **stainless steel**, IP68.

| Part Number | Toledo       | Capacity | Nominal | Weight | SKU  | List      |
|-------------|--------------|----------|---------|--------|------|-----------|
| TZ6-5       | TB600654-030 | 5 kg     | 10 lb   | 2 lb   | 2813 | \$ 406.51 |
| TZ6-10      | TB600655-030 | 10 kg    | 20 lb   | 2 lb   | 2814 | 406.51    |
| TZ6-20      | TB600656-030 | 20 kg    | 40 lb   | 2 lb   | 2815 | 406.51    |
| TZ6-50      | TB600657-030 | 50 kg    | 100 lb  | 2 lb   | 2816 | 406.51    |
| TZ6-100     | TB600658-030 | 100 kg   | 200 lb  | 2 lb   | 2817 | 406.51    |
| TZ6-200     | 083298-020   | 200 kg   | 400 lb  | 2 lb   | 2818 | 406.51    |
| TZ6-250     |              | 250 kg   | 500 lb  | 2 lb   | 2819 | 406.51    |

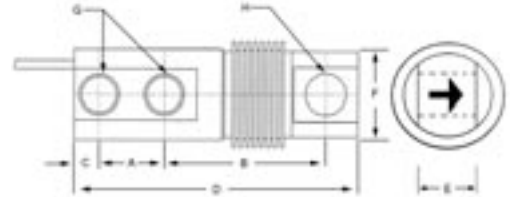
### Dimensions in inches

| Capacity | A    | B    | C    | D    | E    | F    | G    | H    |
|----------|------|------|------|------|------|------|------|------|
| 5-250kg  | 0.71 | 3.23 | 0.24 | 4.56 | 0.79 | 1.06 | 0.32 | 0.32 |



Beam

TZ6



Prices are subject to change without notice. Please call for current prices.

Other items are available from the manufacturers, please call for quote.

13-01 Pollitt Dr Ext  
Fair Lawn NJ 07410  
201-797-2718

 **Totalcomp**  
Components

www.totalcomp.com  
sales@totalcomp.com  
Fax 201-797-2287

# Beam

Beam



5123



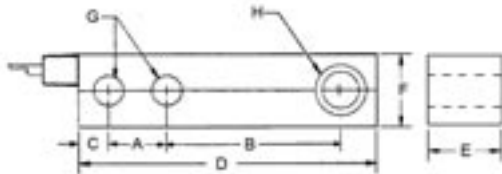
## 5123 Revere

Interchangeable with Sensortronics Model 65023.

3 mv/v, 0.03% nonlinearity, 350/350 ohm, 20 ft 4 wire cable, nickel plated steel.

NTEP Legal for Trade 86-037

| Part Number | Capacity  | Weight | SKU | List      |
|-------------|-----------|--------|-----|-----------|
| 5123-1K     | 1,000 lb  | 3 lb   | 643 | \$ 295.00 |
| 5123-2.5K   | 2,500 lb  | 3 lb   | 644 | 295.00    |
| 5123-4K     | 4,000 lb  | 3 lb   | 645 | 295.00    |
| 5123-5K     | 5,000 lb  | 4 lb   | 646 | 349.00    |
| 5123-10K    | 10,000 lb | 5 lb   | 647 | 349.00    |



### Dimensions in inches

| Capacity | A    | B    | C    | D    | E    | F    | G    | H      |
|----------|------|------|------|------|------|------|------|--------|
| 1K,4K    | 1.00 | 3.00 | 0.62 | 5.12 | 1.23 | 1.23 | 0.53 | 1/2-20 |
| 5K,10K   | 1.50 | 3.75 | 0.75 | 6.75 | 1.45 | 1.45 | 0.78 | 3/4-16 |



9123



## 9123 Revere

Interchangeable with Sensortronics Model 65023.

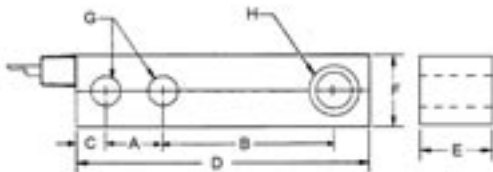
3 mv/v, 0.03% nonlinearity, 350/350 ohm, 20 ft 4 wire cable, stainless steel.

NTEP Legal for Trade 00-001

| Part Number    | Capacity  | Weight | SKU  | Price     |
|----------------|-----------|--------|------|-----------|
| 9123-250-SS *  | 250 lb    | 3 lb   | 1213 | \$ 298.00 |
| 9123-500 -SS*  | 500 lb    | 3 lb   | 1214 | 298.00    |
| 9123-1K -SS*   | 1,000 lb  | 3 lb   | 1206 | 298.00    |
| 9123-1.5K-SS * | 1,500 lb  | 3 lb   | 1215 | 298.00    |
| 9123-2.5K-SS   | 2,500 lb  | 3 lb   | 1207 | 298.00    |
| 9123-4K-SS     | 4,000 lb  | 3 lb   | 1208 | 298.00    |
| 9123-5KSE-SS   | 5,000 lb  | 4 lb   | 1216 | 298.00    |
| 9123-5K-SS     | 5,000 lb  | 5 lb   | 1209 | 359.00    |
| 9123-10K-SS    | 10,000 lb | 5 lb   | 1210 | 359.00    |
| 9123-15K-SS ** | 15,000 lb | 9 lb   | 1217 | 877.00    |
| 9123-20K-SS ** | 20,000 lb | 9 lb   | 1218 | 922.00    |

\* Not NTEP

\*\* Different physical size than 65023



### Dimensions in inches

| Capacity | A    | B    | C    | D    | E    | F    | G    | H      |
|----------|------|------|------|------|------|------|------|--------|
| 1K,4K    | 1.00 | 3.00 | 0.62 | 5.12 | 1.23 | 1.23 | 0.53 | 1/2-20 |
| 5K,10K   | 1.50 | 3.75 | 0.75 | 6.75 | 1.45 | 1.45 | 0.78 | 3/4-16 |
| 20K      | 2.00 | 4.88 | 1.00 | 8.75 | 2.00 | 2.00 | 1.06 | 1-12   |

Prices are subject to change without notice. Please call for current prices.

Other items are available from the manufacturers, please call for quote.



# Beam

Beam

## ACB Revere

2 mv/v, 1000/1000 ohms, 3m 6 wire. cable for 500kg and 1 t, 6m 6 wire. cable for 2t and 5t, stainless steel, IP68.

| Part Number     | Capacity | Weight | SKU | List      |
|-----------------|----------|--------|-----|-----------|
| ACB-C3-500k-01X | 500 kg   | 5 lb   | 144 | \$ 568.48 |
| ACB-C3-001T-01X | 1 t      | 5 lb   | 145 | 568.48    |
| ACB-C3-002T-01X | 2 t      | 5 lb   | 146 | 568.48    |
| ACB-C3-5.0T-SC  | 5 t      | 5 lb   | 147 | 568.48    |



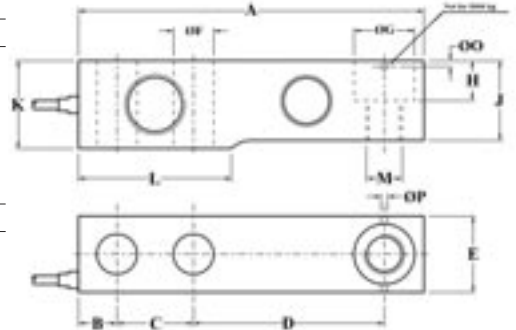
ACB

### Dimensions in inches

| Capacity | A    | B    | C    | D    | E    | ØF   | ØG   | H    | J    |
|----------|------|------|------|------|------|------|------|------|------|
| 500K     | 5.11 | 0.61 | 1.00 | 3.00 | 1.25 | 0.51 | 0.80 | 0.55 | 1.02 |
| 1t       | 5.11 | 0.61 | 1.00 | 3.00 | 1.25 | 0.51 | 0.80 | 0.55 | 1.10 |
| 2t       | 5.11 | 0.61 | 1.00 | 3.00 | 1.25 | 0.51 | 0.80 | 0.55 | 1.25 |
| 5t       | 6.77 | 0.75 | 1.50 | 3.75 | 1.49 | 0.80 | 1.18 | 0.78 | 1.57 |

### Dimensions in inches continued

| Capacity | K    | L    | M   | ØO   | ØP   |
|----------|------|------|-----|------|------|
| 500K-1t  | 1.25 | 2.24 | M12 | 3.00 | 3.20 |
| 2t       | 1.40 | 2.24 | M12 | 3.00 | 3.20 |
| 5t       | 1.73 | 3.00 | M20 | 3.00 | 3.20 |



## 5102 Revere

2 mv/v, 350/350 ohm, 10 ft 4 wire cable, nickel plated steel, IP67

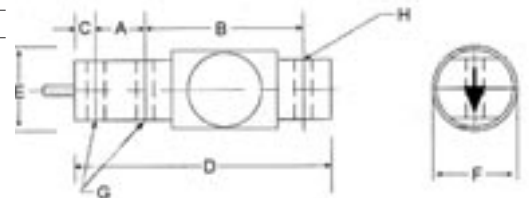
| Part Number | Capacity | Weight | SKU | List      |
|-------------|----------|--------|-----|-----------|
| 5102-50     | 50 lb    | 2 lb   | 523 | \$ 857.95 |
| 5102-100    | 100 lb   | 2 lb   | 524 | 857.95    |
| 5102-200    | 200 lb   | 2 lb   | 525 | 857.95    |
| 5102-500    | 500 lb   | 2 lb   | 526 | 857.95    |
| 5102-1K     | 1,000 lb | 2 lb   | 527 | 1,006.34  |
| 5102-2.5K   | 2,500 lb | 3 lb   | 528 | 654.14    |



5102

### Dimensions in inches

| Capacity    | A    | B    | C    | D    | E    | F    | G    | H    |
|-------------|------|------|------|------|------|------|------|------|
| 50-200      | 0.62 | 3.50 | 0.38 | 5.00 | 1.23 | 1.25 | 0.27 | 0.39 |
| 500-1000    | 1.00 | 3.25 | 0.62 | 5.38 | 1.23 | 1.25 | 0.41 | 0.41 |
| 2500        | 1.00 | 3.25 | 0.62 | 5.38 | 1.23 | 1.25 | 0.41 | 0.53 |
| 5000-10,000 | 1.75 | 4.03 | 0.75 | 7.28 | 1.70 | 1.75 | 0.66 | 0.78 |



Prices are subject to change without notice. Please call for current prices.

Other items are available from the manufacturers, please call for quote.

13-01 Pollitt Dr Ext  
Fair Lawn NJ 07410  
201-797-2718

**Totalcomp**  
Components

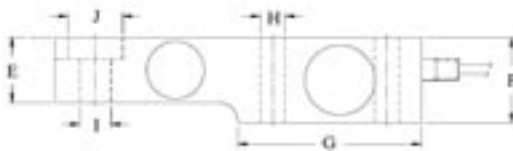
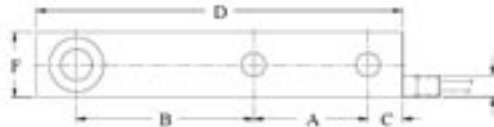
www.totalcomp.com  
sales@totalcomp.com  
Fax 201-797-2287

# Beam

Beam



SSB



## SSB Revere

Hermetically sealed. Interchangeable with HBM Model SB3 and Nikkei NSSB.  
2 mv/v, 350/350 ohm, 15 ft 4 wire cable, **stainless steel**, IP68  
NTEP Legal for Trade 86-041

| Part Number | Capacity  | Weight | SKU | List      |
|-------------|-----------|--------|-----|-----------|
| SSB-1K      | 1,000 lb  | 6 lb   | 478 | \$ 962.45 |
| SSB-2K      | 2,000 lb  | 6 lb   | 479 | 962.45    |
| SSB         | 5,000 lb  | 6 lb   | 480 | 962.45    |
| SSB-10K     | 10,000 lb | 12 lb  | 481 | 1,133.83  |

### Dimensions in inches

| Capacity | A    | B    | C    | D    | E    | F    | G    | H    | I    | J    |
|----------|------|------|------|------|------|------|------|------|------|------|
| 5-2K     | 2.50 | 3.87 | 0.75 | 8.00 | 1.44 | 1.44 | 4.00 | 0.55 | 0.69 | 1.19 |
| 5K       | 2.63 | 0.50 | 0.81 | 9.25 | 1.87 | 2.75 | 4.38 | 0.87 | 1.00 | 1.63 |



9563

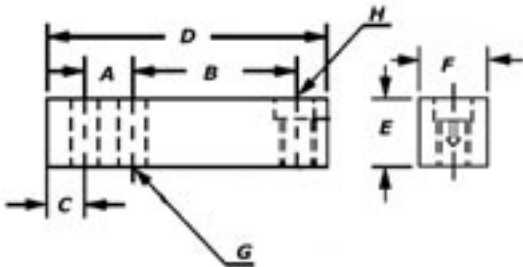
## 9523 Revere

Hermetically sealed, **stainless steel**.  
3 mv/v, 350/350 ohms, 20 ft 4 wire. cable, **stainless steel**, IP68.

| Part Number | Capacity  | Weight | SKU  | List      |
|-------------|-----------|--------|------|-----------|
| 9523-1K     | 1,000 lb  | 3 lb   | 1281 | \$ 569.53 |
| 9523-2.5K   | 2,500 lb  | 3 lb   | 1282 | 569.53    |
| 9523-4K     | 4,000 lb  | 3 lb   | 1283 | 569.53    |
| 9523-5K     | 5,000 lb  | 5 lb   | 1284 | 627.00    |
| 9523-10K    | 10,000 lb | 5 lb   | 1285 | 653.13    |

### Dimensions in inches

| Capacity | A    | B    | C    | D    | E    | F    | G   | H    |
|----------|------|------|------|------|------|------|-----|------|
| 1K-4K    | 1.00 | 3.00 | 1.62 | 6.12 | 1.25 | 1.25 | .53 | .81  |
| 5K-10k   | 1.50 | 3.75 | 1.71 | 7.71 | 1.50 | 1.50 | .78 | 1.19 |



Prices are subject to change without notice. Please call for current prices.

Other items are available from the manufacturers, please call for quote.

# Beam

## SHB Revere NTEP

2mv/v, 460/350 ohms, 3m 4 wire. cable, fully welded **stainless steel**, IP68.  
NTEP Legal for Trade

| Part Number        | Capacity | Weight | SKU  | List      |
|--------------------|----------|--------|------|-----------|
| 00SHB-010k-B1-00N* | 10 kg    | 2 lb   | 3299 | \$ 447.26 |
| 00SHB-020k-B1-00N  | 20 kg    | 2 lb   | 3300 | 447.26    |
| 00SHB-030k-B1-00N  | 30 kg    | 2 lb   | 3301 | 447.26    |
| 00SHB-050k-B1-00N  | 50 kg    | 2 lb   | 3302 | 407.55    |
| 00SHB-100k-B1-00N  | 100 kg   | 2 lb   | 3303 | 407.55    |
| 00SHB-200k-B1-00N  | 200 kg   | 2 lb   | 3304 | 407.55    |
| 00SHB-350k-B1-00N  | 350 kg   | 4 lb   | 3305 | 407.55    |
| 00SHB-500k-B1-00N  | 500 kg   | 4 lb   | 3306 | 407.55    |

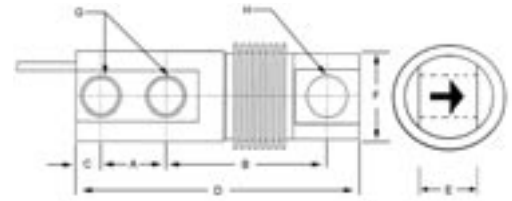
\*not NTEP

### Dimensions in inches

| Capacity  | A    | B    | C    | D    | E    | F    | G     | H      | I    |
|-----------|------|------|------|------|------|------|-------|--------|------|
| 7.2-72 kg | 5.12 | 0.47 | 1.24 | 4.17 | 0.47 | 0.59 | 13.78 | 4 x M6 | 2.16 |



SHB NTEP



## SHB Revere OIML

2mv/v, 460/350 ohms, 3m 4 wire. cable, fully welded **stainless steel**, IP68..

| Part Number        | Capacity | Weight | SKU  | List      |
|--------------------|----------|--------|------|-----------|
| 00SHB-010k-C3-01X* | 10 kg    | 2 lb   | 3339 | \$ 447.26 |
| 00SHB-020k-C3-01X  | 20 kg    | 2 lb   | 3340 | 447.26    |
| 00SHB-030k-C3-00X  | 30 kg    | 2 lb   | 3341 | 447.26    |
| 00SHB-050k-C3-01X  | 50 kg    | 2 lb   | 3342 | 407.55    |
| 00SHB-100k-C3-01X  | 100 kg   | 2 lb   | 3343 | 407.55    |
| 00SHB-200k-C3-01X  | 200 kg   | 2 lb   | 3344 | 407.55    |
| 00SHB-350k-C3-01X  | 350 kg   | 4 lb   | 3345 | 407.55    |
| 00SHB-500k-C3-01X  | 500 kg   | 4 lb   | 3306 | 407.55    |

### Dimensions in inches

| Capacity  | A    | B    | C    | D    | E    | F    | G     | H      | I    |
|-----------|------|------|------|------|------|------|-------|--------|------|
| 7.2-72 kg | 5.12 | 0.47 | 1.24 | 4.17 | 0.47 | 0.59 | 13.78 | 4 x M6 | 2.16 |



SHB OIML

## 5723 Revere

3 mv/v, 350/350 ohm, 20 ft 4 wire cable, nickel plated steel, IP67

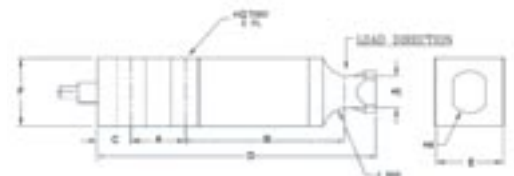
| Part Number | Capacity | Weight | SKU  | List      |
|-------------|----------|--------|------|-----------|
| 5723-2.5K   | 2,500 lb | 3 lb   | 1411 | \$ 287.38 |
| 5723-4K     | 4,000 lb | 3 lb   | 1416 | 351.12    |

### Dimensions in inches

| Capacity | A    | B    | C    | D    | E    | F    | G    | J    | K    | M    |
|----------|------|------|------|------|------|------|------|------|------|------|
| 25k-4k   | 1.00 | 3.00 | 0.62 | 5.12 | 1.23 | 1.23 | 0.53 | 0.50 | 0.56 | 0.75 |



5723



Prices are subject to change without notice. Please call for current prices.

Other items are available from the manufacturers, please call for quote.

13-01 Pollitt Dr Ext  
Fair Lawn NJ 07410  
201-797-2718

**Totalcomp**  
Components

www.totalcomp.com  
sales@totalcomp.com  
Fax 201-797-2287

# Beam

Beam



3410



## 3410 Tedeo Half Thread Half Plain load hole

Interchangeable with Sensortronics 65023 and RTI 5123.  
3 mv/v, 380/350 ohm, 10 ft 6 wire cable, nickel plated steel.  
NTEP Legal for Trade 89-053

| Part Number           | Capacity | Weight | SKU  | List      |
|-----------------------|----------|--------|------|-----------|
| <b>Thru load hole</b> |          |        |      |           |
| 3410-1000             | 1,000 lb | 3 lb   | 2348 | \$ 302.01 |
| 3410-2500             | 2,500 lb | 3 lb   | 2350 | 302.01    |
| 3410-4000-Metric      | 4,000 lb | 3 lb   | 2347 | 302.01    |

### Stainless steel

|                  |          |      |      |        |
|------------------|----------|------|------|--------|
| 3410-1500-Metric | 1,500 lb | 4 lb | 1821 | 319.77 |
|------------------|----------|------|------|--------|



3411



## 3411 Tedeo Full Thread load hole

Interchangeable with Sensortronics 65023 and RTI 5123.  
3 mv/v, 380/350 ohm, 10 ft 6 wire cable, nickel plated steel.  
NTEP Legal for Trade 89-053

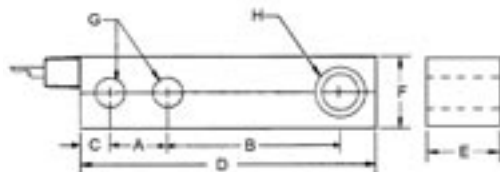
| Part Number               | Capacity | Weight | SKU  | List      |
|---------------------------|----------|--------|------|-----------|
| <b>Threaded load hole</b> |          |        |      |           |
| 3411-1000                 | 1,000 lb | 3 lb   | 1814 | \$ 269.61 |
| 3411-1500                 | 1,500 lb | 3 lb   | 1815 | 269.61    |
| 3411-2500                 | 2,500 lb | 3 lb   | 1816 | 269.61    |
| 3411-4000                 | 4,000 lb | 3 lb   | 1817 | 269.61    |

### Stainless steel

|           |          |      |      |        |
|-----------|----------|------|------|--------|
| 3411-1500 | 1,500 lb | 4 lb | 1818 | 500.56 |
|-----------|----------|------|------|--------|

### Dimensions in inches

| Capacity  | A    | B    | C    | D    | E    | F    | G    | H      |
|-----------|------|------|------|------|------|------|------|--------|
| 3410/3411 | 1.00 | 3.00 | 0.62 | 5.12 | 1.24 | 1.24 | 0.53 | 1/2-20 |
| 3420/3421 | 1.50 | 3.75 | 0.75 | 6.75 | 1.49 | 1.49 | 0.78 | 3/4-16 |



Prices are subject to change without notice. Please call for current prices.

Other items are available from the manufacturers, please call for quote.

# Beam

## 3420 Tedeo Half Thread Half Plain load hole

Interchangeable with Sensortronics 65023 and RTI 5123.  
3 mv/v, 380/350 ohm, 10 ft 6 wire cable, nickel plated steel, IP67  
NTEP Legal for Trade 89-053

| Part Number           | Capacity  | Weight | SKU  | List      |
|-----------------------|-----------|--------|------|-----------|
| <b>Thru load hole</b> |           |        |      |           |
| 3420-5K               | 5,000 lb  | 4 lb   | 1783 | \$ 385.61 |
| 3420-7.5K             | 7,500 lb  | 4 lb   | 1784 | 385.61    |
| 3420-10K              | 10,000 lb | 4 lb   | 1785 | 445.17    |



3420



Beam

## 3421 Tedeo Full Thread load hole

Interchangeable with Sensortronics 65023 and RTI 5123.  
3 mv/v, 380/350 ohm, 10 ft 6 wire cable, nickel plated steel, IP67  
NTEP Legal for Trade 89-053

| Part Number               | Capacity  | Weight | SKU  | List      |
|---------------------------|-----------|--------|------|-----------|
| <b>Threaded load hole</b> |           |        |      |           |
| 3421-5K                   | 5,000 lb  | 4 lb   | 1859 | \$ 448.31 |
| 3421-10K                  | 10,000 lb | 4 lb   | 1786 | 433.68    |

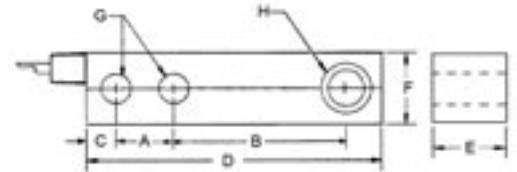


3421



### Dimensions in inches

| Capacity  | A    | B    | C    | D    | E    | F    | G    | H      |
|-----------|------|------|------|------|------|------|------|--------|
| 3410/3411 | 1.00 | 3.00 | 0.62 | 5.12 | 1.24 | 1.24 | 0.53 | 1/2-20 |
| 3420/3421 | 1.50 | 3.75 | 0.75 | 6.75 | 1.49 | 1.49 | 0.78 | 3/4-16 |



Prices are subject to change without notice. Please call for current prices.

Other items are available from the manufacturers, please call for quote.

13-01 Pollitt Dr Ext  
Fair Lawn NJ 07410  
201-797-2718

 **Totalcomp**  
Components

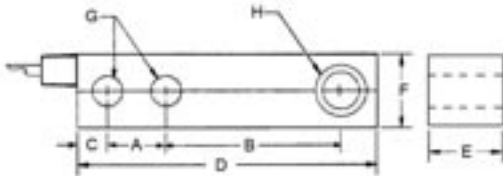
www.totalcomp.com  
sales@totalcomp.com  
Fax 201-797-2287

# Beam

Beam



**3510**  
Stainless steel



## 3510 Tedeia full thread

**Hermetically sealed stainless steel** cell that is interchangeable with Sentsortronics 65023 and RTI 5123/9123.  
3 mv/v, 380/350 ohm, 5 m 6 wire cable, **stainless steel**.  
NTEP Legal for Trade 96-000

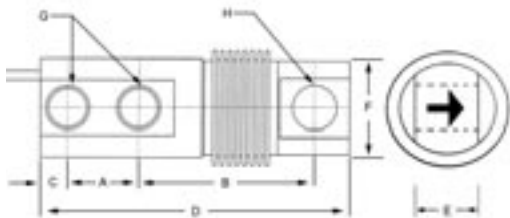
| Part Number               | Capacity | Weight | SKU  | List      |
|---------------------------|----------|--------|------|-----------|
| <b>Threaded load hole</b> |          |        |      |           |
| 3510-G-1000 lb threaded   | 1,000 lb | 3 lb   | 2112 | \$ 500.56 |
| 3510-G-1500 lb threaded   | 1,500 lb | 3 lb   | 2113 | 500.56    |
| 3510-G-2500 lb threaded   | 2,500 lb | 3 lb   | 2114 | 500.56    |
| 3510-G-4000 lb threaded   | 4,000 lb | 4 lb   | 2115 | 500.56    |
| <b>Thru load hole</b>     |          |        |      |           |
| 3510-G-1000 lb thru       | 1,000 lb | 3 lb   | 2401 | 448.31    |
| 3510-G-1500 lb thru       | 1,500 lb | 3 lb   | 2402 | 448.31    |
| 3510-G-2500 lb thru       | 2,500 lb | 3 lb   | 2403 | 448.31    |
| 3510-G-4000 lb thru       | 4,000 lb | 4 lb   | 2404 | 448.31    |

### Dimensions in inches

| Capacity | A    | B    | C    | D    | E    | F    | G     | H   |
|----------|------|------|------|------|------|------|-------|-----|
| 300-2K   | 1.00 | 3.00 | 0.62 | 5.12 | 1.25 | 1.25 | 0.530 | M12 |
| 5K       | 1.50 | 3.75 | 0.75 | 6.75 | 1.88 | 1.44 | 0.087 | M20 |



**355**



## 355 Tedeia

**Hermetically sealed.** Interchangeable with HBM Z6, RTI SHB, Tedeia DC6, Cardinal CB6.  
2 mv/v, 380/350 ohms, 3 m 6 wire cable, **stainless steel**, IP68

| Part Number | Capacity | Nominal  | Weight | SKU  | List      |
|-------------|----------|----------|--------|------|-----------|
| 355-5kg     | 5 kg     | 10 lb    | 2 lb   | 7021 | \$ 322.91 |
| 355-10kg    | 10 kg    | 20 lb    | 2 lb   | 4669 | 322.91    |
| 355-20kg    | 20 kg    | 40 lb    | 2 lb   | 4670 | 322.91    |
| 355-30kg    | 30 kg    | 60 lb    | 2 lb   | 4671 | 322.91    |
| 355-50kg    | 50 kg    | 100 lb   | 2 lb   | 4672 | 322.91    |
| 355-100kg   | 100 kg   | 200 lb   | 2 lb   | 4673 | 322.91    |
| 355-200kg   | 200 kg   | 400 lb   | 2 lb   | 4674 | 465.76    |
| 355-250kg   | 250 kg   | 500 lb   | 2 lb   | 4675 | 322.91    |
| 355-500kg   | 500 kg   | 1,000 lb | 2 lb   | 4676 | 322.91    |

### Dimensions in inches

| Capacity | A    | B    | C    | D    | E    | F    | G    | H    |
|----------|------|------|------|------|------|------|------|------|
| 5kg      | 0.71 | 3.23 | 0.39 | 4.72 | 0.79 | 0.91 | 0.32 | 0.32 |
| 10kg     | 0.71 | 3.23 | 0.39 | 4.72 | 0.79 | 0.91 | 0.32 | 0.32 |
| 20kg     | 0.71 | 3.23 | 0.39 | 4.72 | 0.79 | 0.91 | 0.32 | 0.32 |
| 30kg     | 0.71 | 3.23 | 0.39 | 4.72 | 0.79 | 0.91 | 0.32 | 0.32 |
| 50kg     | 0.71 | 3.23 | 0.39 | 4.72 | 0.79 | 0.91 | 0.32 | 0.32 |
| 100kg    | 0.71 | 3.23 | 0.39 | 4.72 | 0.79 | 0.91 | 0.32 | 0.32 |
| 200kg    | 0.71 | 3.23 | 0.39 | 4.72 | 0.79 | 0.91 | 0.32 | 0.32 |
| 250kg    | 0.71 | 3.23 | 0.39 | 4.72 | 0.79 | 0.91 | 0.32 | 0.32 |
| 500kg    | 0.71 | 3.23 | 0.39 | 4.72 | 0.79 | 0.91 | 0.32 | 0.32 |

Prices are subject to change without notice. Please call for current prices.

Other items are available from the manufacturers, please call for quote.

# Beam

## H35 HBM

**Hermetically sealed stainless steel.** Interchangeable with Toledo model 713 and 793.  
3 mv/v, 350/350 ohm, 20 ft 4 wire cable, **stainless steel**, IP68.

| Part Number         | Capacity | Weight | SKU  | List      |
|---------------------|----------|--------|------|-----------|
| 1-H35AN5/500-1-SS   | 500 lb   | 3 lb   | 7851 | \$ 338.00 |
| 1-H35AN5/1K-1-SS    | 1,000 lb | 3 lb   | 7852 | 338.00    |
| 1-H35AN5/2.5K-1-SS  | 2,500 lb | 3 lb   | 7853 | 338.00    |
| 1-H35AN5/4K-1-SS    | 4,000 lb | 3 lb   | 7854 | 338.00    |
| 1-H35AN5/5K-1-SE-SS | 5,000 lb | 3 lb   | 7855 | 338.00    |

### Dimensions in inches

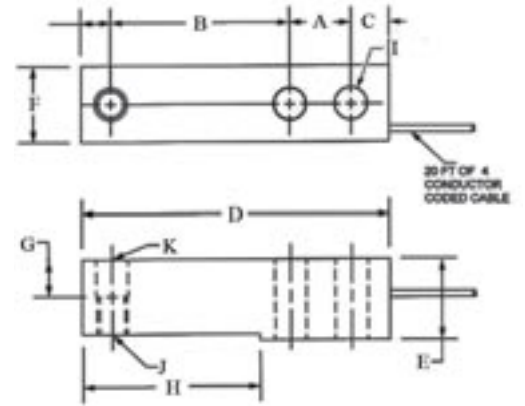
| Capacity | A    | B    | C    | D    | E    | F    | G    | H    |
|----------|------|------|------|------|------|------|------|------|
| 500-5K   | 1.00 | 3.00 | 0.50 | 5.12 | 1.19 | 1.21 | 0.62 | 2.85 |
| 10K-SS   | 1.50 | 3.75 | 0.62 | 6.75 | 1.44 | 1.44 | 0.53 | 3.75 |

### Dimensions in inches

| Capacity | I    | J      | K    |
|----------|------|--------|------|
| 500-5K   | 0.53 | 1/2-20 | 0.53 |
| 10K      | 0.78 | 3/4-16 | 0.78 |



H35



Beam

## BBS HBM

Interchangeable with BLH Model LBG1. Same as Model BBS1, BBS2 and BBS2F. The boot is filled with an insulating grease.

FM Approved.

2 mv/v, 810/750 ohm (50-1K), 375/350 ohm (2.5K-7.5K), 10 ft 4 wire cable, nickel plated steel.

NTEP Legal for Trade 87-087.

| Part Number   | Capacity | Weight | SKU | List       |
|---------------|----------|--------|-----|------------|
| BBS-50-10121  | 50 lb    | 2 lb   | 483 | \$1,237.00 |
| BBS-100-10121 | 100 lb   | 3 lb   | 484 | 910.00     |
| BBS-200-10121 | 200 lb   | 3 lb   | 475 | 910.00     |
| BBS-250-10121 | 250 lb   | 3 lb   | 485 | 877.00     |
| BBS-500-10121 | 500 lb   | 3 lb   | 486 | 877.00     |
| BBS-1K-10121  | 1,000 lb | 3 lb   | 487 | 877.00     |

Note: BBS-1KLE is replaced with NBB-1KLE SKU 1900.

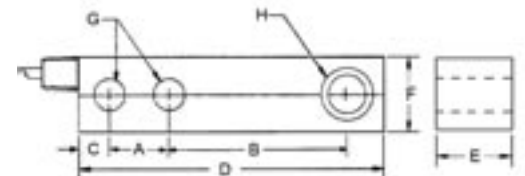
BBS-2.5K is replaced with NBB 2.5K SKU 1901.

### Dimensions in inches

| Capacity | A    | B    | C    | D    | E    | F    | G    | H    |
|----------|------|------|------|------|------|------|------|------|
| 50,100   | 0.88 | 4.25 | 0.38 | 6.00 | 1.06 | 1.38 | 0.31 | 0.31 |
| 200-1K   | 1.12 | 4.25 | 0.50 | 6.66 | 1.06 | 1.38 | 0.51 | 0.51 |



BBS

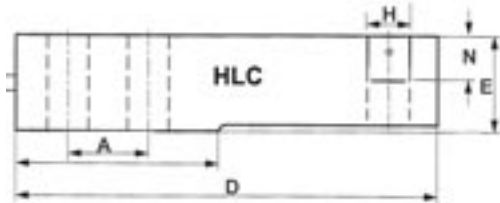


# Beam

Beam



HLC



## HLC-B1 HBM Conterbore & Thread load hole

Hermetically sealed, low overall height.  
1.94 mv/v, 350-480/350 ohm, **Stainless Steel**, IP68  
6 wire cable, 220 & 550kg 3m, 2.2t 6m

| Part Number         | Capacity | Weight  | SKU  | List      |
|---------------------|----------|---------|------|-----------|
| 1-HLC-B1-C3/220kg-1 | 220 kg   | 2.62 lb | 8419 | \$ 747.00 |
| 1-HLC-B1-C3/550kg-1 | 550 kg   | 2.62 lb | 8420 | 722.00    |
| 1-HLC-B1-C3/1.1t    | 1.1 t    | 2.62 lb | 8356 | 722.00    |
| 1-HLC-B1-C3/1.76t   | 1.76 t   | 2.62 lb | 8357 | 722.00    |
| 1-HLC-B1-C3/2.2t    | 2.2 t    | 2.62 lb | 8418 | 710.00    |
| 1-HLC-B1-C3/4.4t    | 4.4 t    | 6 lb    | 8358 | 952.00    |

### Dimensions in inches

| Capacity  | A    | D    | E    | H   | N    |
|-----------|------|------|------|-----|------|
| 220K-550K | 1.00 | 5.25 | 1.18 | M12 | 0.56 |
| 2.2t      | 1.50 | 6.75 | 1.43 | M20 | 0.67 |

### Cable lengths

220kg to 1.76t = 3m  
2.2t to 10t = 6m



## HLC-A1 HBM Thread through load hole

Hermetically sealed, low overall height.  
1.94 mv/v, 350-480/350 ohm, **Stainless Steel**, IP68  
6 wire cable, 220 & 550kg 3m, 2.2t 6m

| Part Number           | Capacity | Weight  | SKU | List      |
|-----------------------|----------|---------|-----|-----------|
| 1-HLC-A1-C3/2201KG-1t | 220 kg   | 2.62 lb | 668 | \$ 747.00 |
| 1-HLC-A1-C3/550kg-1   | 550 kg   | 2.62 lb | 669 | 722.00    |
| 1-HLC-A1-C3/1.1T-1    | 1.1 t    | 2.62 lb | 670 | 722.00    |
| 1-HLC-A1-C3-1.76T-1   | 1.76 t   | 2.62 lb | 671 | 722.00    |
| 1-HLC-A1-C3-2.2T      | 2.2 t    | 2.62 lb | 672 | 710.00    |
| 1-HLC-A1-C3-4.4T      | 4.4 t    | 6 lb    | 673 | 952.00    |



# Beam

## BLC HBM

Matched outputs. Nameplate on cell shows 1.5 mv/v at half capacity.  
 Interchangeable with Airway AW200, Toledo 713 and Fairbanks 357416.  
 3 mv/v, 1000/1000 ohm, 17-4 **stainless steel**. IP67.  
 10 ft 4 wire cable - 500 lb, 1K, 2.5K, 4K ; 20 ft 4 wire cable - 5K, 10K.

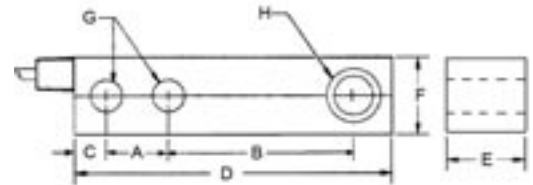
| Part Number               | Capacity | Toledo     | Weight | SKU | List      |
|---------------------------|----------|------------|--------|-----|-----------|
| <b>Threaded load hole</b> |          |            |        |     |           |
| BLC-1.25K-10531 (2.5K)    | 2,500 lb | 8476008020 | 3 lb   | 955 | \$ 350.00 |

### Dimensions in inches

| Capacity | A   | B    | C     | D    | E    | F    | G     | H      |
|----------|-----|------|-------|------|------|------|-------|--------|
| 250      | 1.0 | 3.00 | 0.645 | 5.25 | 1.19 | 1.21 | 0.375 | 1/2-20 |
| 500-4K   | 1.0 | 3.00 | 0.645 | 5.25 | 1.19 | 1.21 | 0.520 | 1/2-20 |
| 5K       | 1.5 | 3.75 | 0.745 | 6.75 | 1.44 | 1.45 | 0.780 | 3/4-16 |
| 10K      | 1.5 | 3.75 | 0.745 | 6.75 | 1.69 | 1.69 | 0.780 | 3-4-16 |



BLC  
Beam Cell-SS



Prices are subject to change without notice. Please call for current prices.

Other items are available from the manufacturers, please call for quote.

13-01 Pollitt Dr Ext  
 Fair Lawn NJ 07410  
 201-797-2718

 **Totalcomp**  
 Components

www.totalcomp.com  
 sales@totalcomp.com  
 Fax 201-797-2287

# Beam

Beam



B35

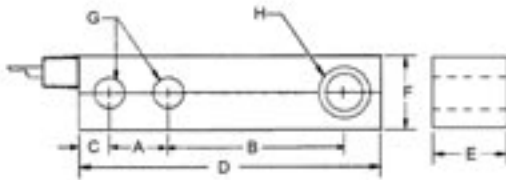


## B35 HBM

Close interchange with Sensortronics 65023-SS, RTI 9123 and Toledo 713. The height of this cell is 3/8" shorter than the 65023 or the 9123.  
3 mv/v, 350/350 ohm, 20 ft 4 wire cable, **stainless steel**.  
NTEP Legal for Trade 88-278

| Part Number    | Toledo        | Capacity  | Weight | SKU  | List      |
|----------------|---------------|-----------|--------|------|-----------|
| 1-B35AN5/2K-1  | TB-600832-020 | 2,000 lb  | 3 lb   | 4342 | \$ 307.00 |
| 1-B35AN5/10K-2 | 084753020     | 10,000 lb | 5 lb   | 4347 | 446.00    |

## Dimensions in inches



| Capacity | A    | B    | C    | D    | E    | F    | G    | H      |
|----------|------|------|------|------|------|------|------|--------|
| 250,500  | 1.00 | 3.00 | 0.62 | 5.12 | 0.93 | 1.21 | 0.53 | 1/2-20 |
| 1K-5K    | 1.00 | 3.00 | 0.62 | 5.12 | 1.12 | 1.21 | 0.53 | 1/2-20 |
| 10K      | 1.50 | 3.75 | 0.75 | 6.75 | 1.34 | 1.44 | 0.78 | 3/4-16 |



Z7A



## Z7A HBM

2 mv/v, 350/356 ohm, 6m 6 wire cable, nickle plated galvanized steel, IP67.  
OIML Legal for Trade

| Part Number  | Capacity  | Weight | SKU  | List        |
|--------------|-----------|--------|------|-------------|
| 1-Z7AD1500KG | 500 kg    | 5 lb   | 2458 | \$ 2,230.00 |
| 1-Z7AD1/1T   | 1,000 kg  | 5 lb   | 2459 | 2,230.00    |
| 1-Z7AD1/2T   | 2,000 kg  | 5 lb   | 2460 | 2,230.00    |
| 1-Z7AD1/5T   | 5,000 kg  | 10 lb  | 2461 | 2,795.00    |
| 1-Z7AD1/10T  | 10,000 kg | 16 lb  | 2462 | 3,737.00    |

Prices are subject to change without notice. Please call for current prices.

Other items are available from the manufacturers, please call for quote.

## Z6 HBM

**Hermetically sealed**, low profile, stainless steel bellows and element make this cell ideal for harsh or caustic environments as well as washdown applications.  
 2 mv/v, 350/350 ohms & 380/350 ohms, 10 ft 6 wire cable, **stainless steel** IP68.  
 NTEP Legal for Trade 99-005

| Part Number                                | Capacity | Nominal  | Weight  | SKU  | List      |
|--|----------|----------|---------|------|-----------|
| <b>OIML Class C3 3,000 div</b>             |          |          |         |      |           |
| 1-Z6FC3-10KG-1                             | 10 kg    | 20 lb    | 2 lb    | 2798 | \$ 670.00 |
| 1-Z6FC3-20KG-1                             | 20 kg    | 40 lb    | 2 lb    | 2799 | 705.00    |
| 1-Z6FC3-30KG-1                             | 30 kg    | 60 lb    | 1.95 lb | 4467 | 735.00    |
| 1-Z6FC3-50KG-1                             | 50 kg    | 100 lb   | 2 lb    | 2800 | 670.00    |
| 1-Z6FC3-100KG-1                            | 100 kg   | 200 lb   | 2 lb    | 2801 | 670.00    |
| 1-Z6FC3-200KG-1                            | 200 kg   | 400 lb   | 2 lb    | 2802 | 670.00    |
| 1-Z6FC3-500-KG-1                           | 500 kg   | 1,000 lb | 2 lb    | 2803 | 670.00    |
| 1-Z6FC3-1T-1                               | 1 t      | 2,000 lb | 6 lb    | 2804 | 1,464.00  |
| <b>OIML Class D1 1,000 div</b>             |          |          |         |      |           |
| 1-Z6FD1-5KG-1                              | 5 kg     | 10 lb    | 1.95 lb | 2797 | 926.00    |
| 1-Z6FD1-10KG-1                             | 10 kg    | 20 lb    | 1.95 lb | 4465 | 875.00    |
| 1-Z6FD1-20KG-1                             | 20 kg    | 40 lb    | 1.95 lb | 4466 | 785.00    |
| 1-Z6FD1-50KG-1                             | 50 kg    | 100 lb   | 1.95 lb | 4468 | 785.00    |
| 1-Z6FD1-100KG-1                            | 100 kg   | 200 lb   | 1.95 lb | 4469 | 785.00    |
| 1-Z6FD1-200KG-1                            | 200 kg   | 400 lb   | 1.95 lb | 4470 | 785.00    |
| 1-Z6FD1-500-KG-1                           | 500 kg   | 1,000 lb | 1.95 lb | 4471 | 785.00    |
| 1-Z6FD1-1T-1                               | 1 t      | 2,000 lb | 6 lb    | 4472 | 1,427.00  |
| <b>Smooth cover, welded, easy to clean</b> |          |          |         |      |           |
| 1-Z6RAC3-50KG-1                            | 50 kg    | 100 lb   | 2.07 lb | 2828 | 1,165.00  |

### Dimensions in inches

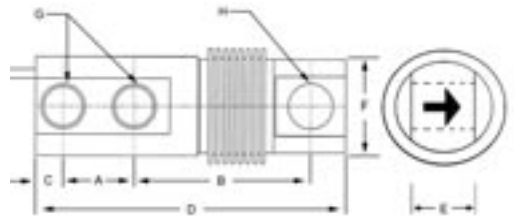
| Capacity | A    | B    | C    | D    | E    | F    | G    | H    |
|----------|------|------|------|------|------|------|------|------|
| 5-200kg  | 0.71 | 3.23 | 0.24 | 4.56 | 0.79 | 1.06 | 0.32 | 0.32 |
| 500kg    | 0.71 | 3.23 | 0.24 | 4.56 | 0.79 | 1.06 | 0.41 | 0.44 |
| 1t       | 1.57 | 5.24 | 0.59 | 8.27 | 0.98 | 1.57 | 0.51 | 0.44 |



Z6



Z6R



Prices are subject to change without notice. Please call for current prices.

Other items are available from the manufacturers, please call for quote.

13-01 Pollitt Dr Ext  
 Fair Lawn NJ 07410  
 201-797-2718

**Totalcomp**  
 Components

www.totalcomp.com  
 sales@totalcomp.com  
 Fax 201-797-2287



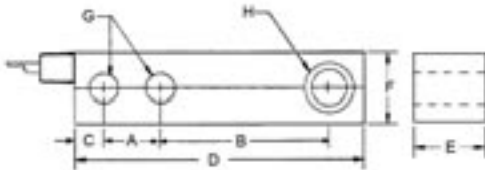
DSB

### DSB Diamond

Interchangeable with Sensortronics Model 65023 and Revere Model 5123.  
3 mv/v, 390/350 ohm, 20 ft 4 wire cable, nickel plated steel.

| Part Number | Capacity  | Weight | SKU  | List      |
|-------------|-----------|--------|------|-----------|
| DSB-500     | 500 lb    | 3 lb   | 7292 | \$ 155.93 |
| DSB-1K      | 1,000 lb  | 3 lb   | 7293 | 155.93    |
| DSB-1.5K    | 1,500 lb  | 3 lb   | 7294 | 155.93    |
| DSB-2K      | 2,000 lb  | 3 lb   | 7295 | 155.93    |
| DSB-2.5K    | 2,500 lb  | 3 lb   | 7296 | 155.93    |
| DSB-4K      | 4,000 lb  | 3 lb   | 7297 | 155.93    |
| DSB-5KSE    | 5,000 lb  | 3 lb   | 7298 | 155.93    |
| DSB-5K      | 5,000 lb  | 5 lb   | 7299 | 212.52    |
| DSB-10K     | 10,000 lb | 5 lb   | 7300 | 212.52    |
| DSB-20K     | 20,000 lb | 9 lb   | 7326 | 340.72    |

### Dimensions in inches



| Capacity | A    | B    | C    | D    | E    | F    | G    | H      |
|----------|------|------|------|------|------|------|------|--------|
| 500-5KSE | 1.00 | 3.00 | 0.60 | 5.12 | 1.25 | 1.25 | 0.53 | 1/2-20 |
| 5K,10K   | 1.50 | 3.75 | 0.75 | 6.75 | 1.50 | 1.50 | 0.78 | 3/4-16 |
| 20K      | 2.00 | 4.88 | 1.00 | 8.75 | 2.00 | 2.00 | 1.03 | 1-14   |



DSB-M

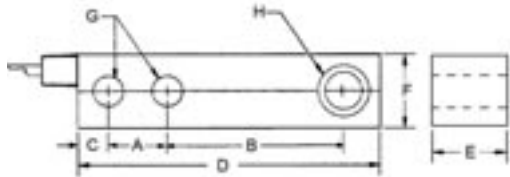
### DSB-M Diamond, metric

Interchangeable with the metric Sensortronics Model 65023 and the metric Revere Model 5123. Metric thread in load cell.  
3 mv/v, 390/350 ohm, 20 ft 4 wire cable, nickel plated steel.

| Part Number | Capacity | Weight | SKU  | List      |
|-------------|----------|--------|------|-----------|
| DSB-1K-M    | 1,000 lb | 3 lb   | 7197 | \$ 135.00 |
| DSB-1.5K-M  | 1,500 lb | 3 lb   | 7198 | 135.00    |

\* Stainless steel potted w/ side plate

### Dimensions in inches



| Capacity | A    | B    | C    | D    | E    | F    | G    | H      |
|----------|------|------|------|------|------|------|------|--------|
| 500-5KSE | 1.00 | 3.00 | 0.60 | 5.12 | 1.25 | 1.25 | 0.53 | 1/2-20 |
| 5K,10K   | 1.50 | 3.75 | 0.75 | 6.75 | 1.50 | 1.50 | 0.78 | 3/4-16 |



## DSB-SSP Diamond

Potted with side plate, **stainless steel** cell that is interchangeable with Model 65023 and RTI Models 5123/9123. Orange jacket load cell cable is highly visible in any environment. 3 mv/v, 390/350 ohm, 20ft 4 wire cable, **stainless steel**, IP67

| Part Number | Capacity | Weight | SKU  | List      |
|-------------|----------|--------|------|-----------|
| DSB-250-SSP | 250 lb   | 3 lb   | 7078 | \$ 246.75 |
| DSB-500-SSP | 500 lb   | 3 lb   | 7079 | 246.75    |

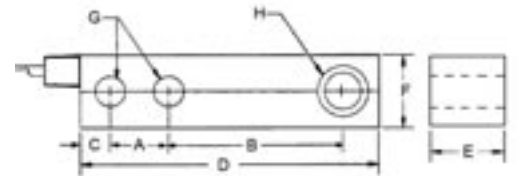


Beam

DSB-SSP

### Dimensions in inches

| Capacity   | A    | B    | C    | D    | E    | F    | G    | H      |
|------------|------|------|------|------|------|------|------|--------|
| 250-500 lb | 1.00 | 3.00 | 0.60 | 5.12 | 1.25 | 1.25 | 0.53 | 1/2-20 |



## DSB-SSH Diamond

Hermetically sealed **stainless steel** cell that is interchangeable with Model 65023 and RTI Models 5123/9123. Orange jacket load cell cable is highly visible in any environment. 3 mv/v, 390/350 ohm, 20ft 4 wire cable, **stainless steel**, IP67

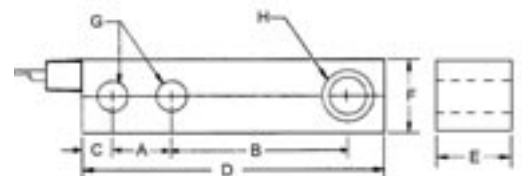
| Part Number  | Capacity  | Weight | SKU  | List      |
|--------------|-----------|--------|------|-----------|
| DSB-1K-SSH   | 1,000 lb  | 3 lb   | 7080 | \$ 245.00 |
| DSB-1.5K-SSH | 1,500 lb  | 3 lb   | 7081 | 245.00    |
| DSB-2K-SSH   | 2,000 lb  | 4 lb   | 7082 | 245.00    |
| DSB-2.5K-SSH | 2,500 lb  | 4 lb   | 7083 | 245.00    |
| DSB-4K-SSH   | 4,000 lb  | 4 lb   | 7084 | 245.00    |
| DSB-5KSE-SSH | 5,000 lb  | 4 lb   | 7085 | 245.00    |
| DSB-5K-SSH   | 5,000 lb  | 4 lb   | 7086 | 284.00    |
| DSB-10K-SSH  | 10,000 lb | 5 lb   | 7087 | 284.00    |
| DSB-20K-SSH  | 20,000 lb | 9 lb   | 7088 | 553.00    |



DSB-SSH

### Dimensions in inches

| Capacity | A    | B    | C    | D    | E    | F    | G    | H      |
|----------|------|------|------|------|------|------|------|--------|
| 1K-5KSE  | 1.00 | 3.00 | 0.60 | 5.12 | 1.25 | 1.25 | 0.53 | 1/2-20 |
| 5K-20K   | 1.50 | 3.75 | 0.75 | 6.75 | 1.50 | 1.50 | 0.78 | 3/4-16 |



Prices are subject to change without notice. Please call for current prices.

Other items are available from the manufacturers, please call for quote.

13-01 Pollitt Dr Ext  
Fair Lawn NJ 07410  
201-797-2718

**Totalcomp**  
Components

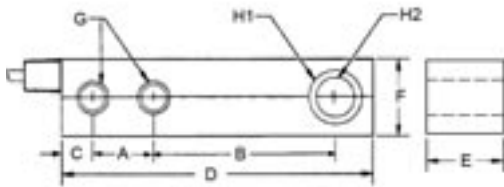
www.totalcomp.com  
sales@totalcomp.com  
Fax 201-797-2287

# Beam

Beam



**BLC**  
Beam Cell SS



## BLC Diamond

Matched outputs. Nameplate on cell shows 1.5 mv/v at half capacity.  
3 mv/v, 1000/1000 ohm, 17-4 stainless steel. IP67.  
10 ft 4 wire cable - 500 lb, 1K, 2.5K, 4K ; 20 ft 4 wire cable - 5K, 10K.

| Part Number                                  | Capacity  | Toledo     | Weight | SKU  | List      |
|--|-----------|------------|--------|------|-----------|
| <b>Threaded load hole</b>                    |           |            |        |      |           |
| BLC-500-10531 (1K)                           | 1,000 lb  | 084757020  | 3 lb   | 7917 | \$ 339.15 |
| BLC-1.25K-10531 (2.5K)                       | 2,500 lb  | 8476008020 | 3 lb   | 7918 | 339.15    |
| BLC-2K-10531 (4K)                            | 4,000 lb  | 8476004020 | 3 lb   | 7919 | 339.15    |
| BLC-2.5K-20531 (5K)                          | 5,000 lb  | 8476002020 | 4 lb   | 7920 | 514.50    |
| BLC-5K-20531 (10K)                           | 10,000 lb | 8476001020 | 5 lb   | 7921 | 569.10    |
| <b>Counterbored &amp; threaded load hole</b> |           |            |        |      |           |
| BLC-500-10225                                | 500 lb    | 08521620   | 2 lb   | 7922 | 438.00    |
| BLC-500-10631 (1K)                           | 1,000 lb  | 08521920   | 3 lb   | 7923 | 323.40    |
| BLC-1.25K-10631 (2.5K)                       | 2,500 lb  | 80328020   | 3 lb   | 7924 | 371.70    |
| BLC-2K-10631 (4K)                            | 4,000 lb  | 80329020   | 3 lb   | 7925 | 371.70    |
| BLC-2.5K-20631 (5K)                          | 5,000 lb  | 083220020  | 4 lb   | 7926 | 469.35    |
| BLC-5K-20631 (10K)                           | 10,000 lb | 083221020  | 5 lb   | 7927 | 569.10    |

## Dimensions in inches

| Capacity | A   | B    | C     | D    | E    | F    | G    | H1     | H2     |
|----------|-----|------|-------|------|------|------|------|--------|--------|
| 250      | 1.0 | 3.00 | 0.645 | 5.25 | 1.19 | 1.19 | 0.52 | 0.8125 | 1/2-20 |
| 500-4K   | 1.0 | 3.00 | 0.645 | 5.25 | 1.19 | 1.19 | 0.52 | 0.8125 | 1/2-20 |
| 5K       | 1.5 | 3.75 | 0.745 | 6.75 | 1.44 | 1.45 | 0.78 | 1.1875 | 3/4-16 |
| 10K      | 1.5 | 3.75 | 0.745 | 6.75 | 1.69 | 1.69 | 0.78 | 1.1875 | 3/4-16 |



**H8C-C3**



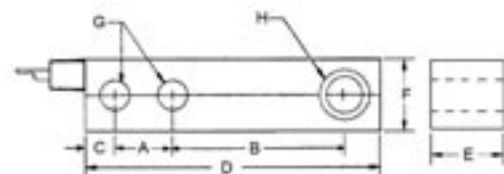
## H8C-C3 Zemic

2 mv/v, 350/350 ohm 20 ft shielded 4 wire cable, nickel plated alloy steel, IP67.  
NTEP Legal for Trade 12-028

| Part Number        | Capacity  | Weight | SKU  | List      |
|--------------------|-----------|--------|------|-----------|
| H8C-C3-500KG-4B-SC | 500 kg    | 3 lb   | 2331 | \$ 205.35 |
| H8C-C3-1.0t-4B-SC  | 1,000 kg  | 3 lb   | 2332 | 205.35    |
| H8C-C3-1.5t-4B-SC  | 1,500 kg  | 3 lb   | 2333 | 205.35    |
| H8C-C3-2.0t-4B-SC  | 2,000 kg  | 3 lb   | 2334 | 205.35    |
| H8C-C3-2.5t-4B-SC  | 2,500 kg  | 3 lb   | 2335 | 205.35    |
| H8C-C3-3.0t-4B-SC  | 3,000 kg  | 5 lb   | 2336 | 244.20    |
| H8C-C3-5.0t-4B-SC  | 5,000 kg  | 5 lb   | 2337 | 244.20    |
| H8C-C3-10t-4B-SC   | 10,000 kg | 9 lb   | 2338 | 338.55    |

## Dimensions in inches

| Capacity | A    | B    | C    | D    | E    | F    | G    | H          |
|----------|------|------|------|------|------|------|------|------------|
| 1K-5KSE  | 1.00 | 3.00 | 0.62 | 5.11 | 1.25 | 1.25 | 1.33 | 1/2-20 UNF |
| 5K-10K   | 1.50 | 3.75 | 0.75 | 6.75 | 1.50 | 1.50 | 1.57 | 3/4-16 UNF |
| 20K      | 2.00 | 4.75 | 1.00 | 8.75 | 2.00 | 2.00 | 2.06 | 1-12 UNF   |



Prices are subject to change without notice. Please call for current prices.

Other items are available from the manufacturers, please call for quote.

# Beam

## B8D Zemic

Stainless steel, NTEP for floor scales.  
3mv/v, 350/350 ohms, 20 ft. wire. cable, stainless steel, IP67.  
NTEP Legal for Trade

| Part Number     | Capacity  | Weight | SKU  | List      |
|-----------------|-----------|--------|------|-----------|
| B8D-N5-250-6YB  | 250 lb    | 3 lb   | 3312 | \$ 269.00 |
| B8D-N5-500-6YB  | 500 lb    | 3 lb   | 3313 | 269.00    |
| B8D-N5-750-6YB  | 750 lb    | 3 lb   | 3314 | 269.00    |
| B8D-N5-1K-6YB   | 1,000 lb  | 3 lb   | 3315 | 269.00    |
| B8D-N5-1.5K-6YB | 1,500 lb  | 3 lb   | 3316 | 269.00    |
| B8D-N5-2K-6YB   | 2,000 lb  | 3 lb   | 3317 | 269.00    |
| B8D-N5-2.5K-6YB | 2,500 lb  | 3 lb   | 3318 | 269.00    |
| B8D-N5-3K-6YB   | 3,000 lb  | 3 lb   | 3319 | 269.00    |
| B8D-N5-4K-6YB   | 4,000 lb  | 3 lb   | 3320 | 269.00    |
| B8D-N5-5KSE-6YB | 5,000 lb  | 3 lb   | 3321 | 269.00    |
| B8D-N5-5K-6YB   | 5,000 lb  | 5 lb   | 3322 | 389.00    |
| B8D-N5-7.5K-6YB | 7,500 lb  | 5 lb   | 3323 | 389.00    |
| B8D-N5-10K-6YB  | 10,000 lb | 6 lb   | 3324 | 389.00    |
| B8D-N5-15K-6YB  | 15,000 lb | 9 lb   | 3325 | 399.00    |
| B8D-N5-20K-6YB  | 20,000 lb | 9 lb   | 3326 | 1,030.00  |

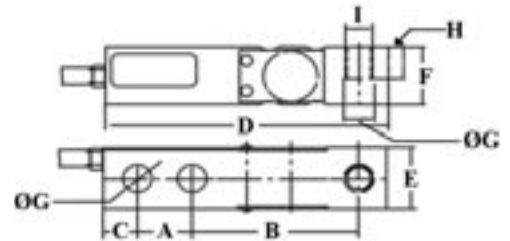
### Dimensions in inches

| Capacity  | A    | B    | C    | D    | E    | F    | ØG   | H    | I            |
|-----------|------|------|------|------|------|------|------|------|--------------|
| 0.25k-1k  | 1.00 | 3.00 | 0.61 | 5.11 | 1.18 | 1.23 | 0.53 | 0.63 | 1/20-20UNF2B |
| 0.5t-5kSE | 1.00 | 3.00 | 0.61 | 5.11 | 1.18 | 1.23 | 0.53 | 0.63 | 1/2-20UNF-2B |
| 3t-15klb  | 1.50 | 3.75 | 0.75 | 6.73 | 1.45 | 1.45 | 1.44 | 0.81 | 3/4-16UNF-2B |
| S20klb    | 2.00 | 4.75 | 0.75 | 8.75 | 1.95 | 1.45 | 1.94 | 1.08 | 1-12UNF-2B   |



B8D

Beam



## H8C-N5 Zemic

3 mv/v, 350/350 ohm 20 ft shielded 4 wire cable, nickel plated alloy steel, IP67.  
NTEP Legal for Trade 12-028

| Part Number     | Capacity  | Weight | SKU  | List      |
|-----------------|-----------|--------|------|-----------|
| H8C-N51K-6YB    | 1,000 lb  | 3 lb   | 7103 | \$ 205.35 |
| H8C-N5-1.5K-6YB | 1,500 lb  | 3 lb   | 7104 | 205.35    |
| H8C-N5-2.5K-6YB | 2,500 lb  | 3 lb   | 7105 | 205.35    |
| H8C-N5-4K-6YB   | 4,000 lb  | 3 lb   | 7106 | 205.35    |
| H8C-N5-5KSE-6YB | 5,000 lb  | 3 lb   | 7107 | 205.35    |
| H8C-N5-5K-6YB   | 5,000 lb  | 5 lb   | 7108 | 244.20    |
| H8C-N5-10K-6YB  | 10,000 lb | 5 lb   | 7109 | 244.20    |
| H8C-N5-20K-6YB  | 20,000 lb | 9 lb   | 7110 | 338.35    |

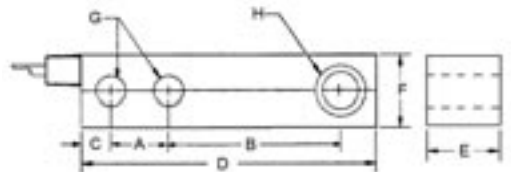


H8C-N5



### Dimensions in inches

| Capacity | A    | B    | C    | D    | E    | F    | G    | H          |
|----------|------|------|------|------|------|------|------|------------|
| 1K-5KSE  | 1.00 | 3.00 | 0.62 | 5.11 | 1.25 | 1.25 | 1.33 | 1/2-20 UNF |
| 5K-10K   | 1.50 | 3.75 | 0.75 | 6.75 | 1.50 | 1.50 | 1.57 | 3/4-16 UNF |
| 20K      | 2.00 | 4.75 | 1.00 | 8.75 | 2.00 | 2.00 | 2.06 | 1-12 UNF   |



Prices are subject to change without notice. Please call for current prices.

Other items are available from the manufacturers, please call for quote.

13-01 Pollitt Dr Ext  
Fair Lawn NJ 07410  
201-797-2718

**Totalcomp**  
Components

www.totalcomp.com  
sales@totalcomp.com  
Fax 201-797-2287

# Beam

Beam



GSB



## GSB General Sensor

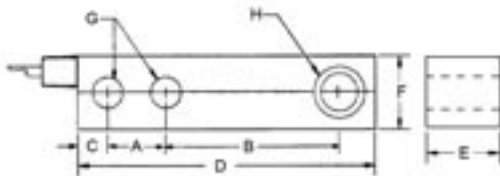
Interchangeable with Sensortronics 65023 and RTI 5123.  
3 mv/v, 350/350 ohm, 20 ft 4 wire cable, nickel plated steel.  
NTEP Legal for Trade 98-033

| Part Number | Capacity  | Weight | SKU  | List      |
|-------------|-----------|--------|------|-----------|
| GSB-250 *   | 250 lb    | 3 lb   | 3611 | \$ 180.79 |
| GSB-500 *   | 500 lb    | 3 lb   | 3347 | 180.79    |
| GSB-1K      | 1,000 lb  | 3 lb   | 3348 | 180.79    |
| GSB-1.5K    | 1,500 lb  | 3 lb   | 3612 | 180.79    |
| GSB-2K      | 2,000 lb  | 3 lb   | 3349 | 180.79    |
| GSB-2.5K    | 2,500 lb  | 3 lb   | 3350 | 180.79    |
| GSB-4K      | 4,000 lb  | 3 lb   | 3351 | 180.79    |
| GSB-5K-SE   | 5,000 lb  | 3 lb   | 3614 | 180.79    |
| GSB-5K      | 5,000 lb  | 5 lb   | 3352 | 285.29    |
| GSB-10K     | 10,000 lb | 5 lb   | 3353 | 285.29    |
| GSB-15K *   | 15,000 lb | 9 lb   | 3615 | 611.00    |
| GSB-20K *   | 20,000 lb | 9 lb   | 3616 | 611.00    |

Larger envelope w/ 1-1/4" height rather than 1" for 100 lb - 500 lb

|             |        |      |      |        |
|-------------|--------|------|------|--------|
| GSB-100-L * | 100 lb | 3 lb | 4059 | 250.00 |
| GSB-250-L * | 250 lb | 3 lb | 2414 | 250.00 |
| GSB-500-L * | 500 lb | 3 lb | 4060 | 250.00 |

\* Not NTEP



### Dimensions in inches

| Capacity | A    | B    | C    | D    | E    | F    | G    | H      |
|----------|------|------|------|------|------|------|------|--------|
| 250-500  | 1.00 | 3.00 | 0.60 | 5.12 | 1.00 | 1.00 | 0.53 | 1/2-20 |
| 1K-5KSE  | 1.00 | 3.00 | 0.60 | 5.12 | 1.25 | 1.25 | 0.53 | 1/2-20 |
| 5K,10K   | 1.50 | 3.75 | 0.75 | 6.75 | 1.50 | 1.50 | 0.78 | 3/4-16 |
| 15K,20K  | 2.00 | 4.88 | 1.00 | 8.75 | 2.00 | 2.00 | 1.03 | 1-14   |

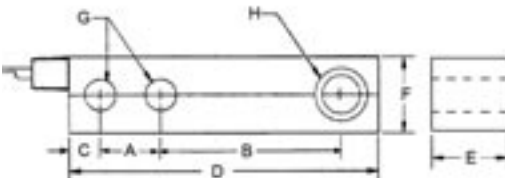


GB743

## GB743 General Sensor

Interchangeable with Toledo® beam load cells for 743 Flexmount.  
2 mv/v, 350/350 ohm, 20 ft 4 wire cable, stainless steel, IP68.

| Part Number | Toledo    | Masstron | Capacity  | Weight | SKU  | List      |
|-------------|-----------|----------|-----------|--------|------|-----------|
| GB743-1K    | 13136900C | ML4311   | 1,000 lb  | 6 lb   | 7941 | \$ 755.37 |
| GB743-3K    | 13079300C | ML4331   | 3,000 lb  | 6 lb   | 7942 | 755.37    |
| GB743-5K    | 13078900C | ML4350   | 5,000 lb  | 6 lb   | 7943 | 755.37    |
| GB743-10K   | 13078400C | ML4410   | 10,000 lb | 9 lb   | 7944 | 943.64    |
| GB743-20K   | 13077500C | ML4420   | 20,000 lb | 18 lb  | 7945 | 943.64    |



### Dimensions in inches

| Capacity | A     | B     | C     | D      | E     | F     | G     | H     |
|----------|-------|-------|-------|--------|-------|-------|-------|-------|
| 1K-5K    | 2.500 | 3.880 | 0.620 | 7.993  | 1.450 | 1.463 | 0.500 | 1.200 |
| 10K      | 2.625 | 4.860 | 0.754 | 9.250  | 2.059 | 1.702 | 0.767 | 1.480 |
| 20K      | 3.250 | 5.419 | 1.035 | 11.000 | 2.375 | 2.335 | 1.036 | 1.835 |

Prices are subject to change without notice. Please call for current prices.

Other items are available from the manufacturers, please call for quote.



# Beam

## GBH35 General Sensor

Hermetically sealed **stainless steel** cell that replaces HBM H35. The cable color code is different.

3.0 mv/v, 350/350 ohm, 20 ft 4 wire cable, **stainless steel**, IP67.

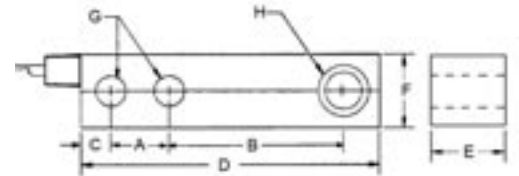
| Part Number | Capacity  | Weight | SKU  | List      |
|-------------|-----------|--------|------|-----------|
| GBH35-1K    | 1,000 lb  | 3 lb   | 7163 | \$ 285.00 |
| GBH35-2.5K  | 2,500 lb  | 3 lb   | 7164 | 285.00    |
| GBH35-4K    | 4,000 lb  | 3 lb   | 7165 | 285.00    |
| GBH35-5K-SE | 5,000 lb  | 5 lb   | 7166 | 285.00    |
| GBH35-10K   | 10,000 lb | 6 lb   | 7167 | 365.00    |

### Dimensions in inches

| Capacity | A    | B    | C    | D    | E    | F    | G    | H      |
|----------|------|------|------|------|------|------|------|--------|
| 1K-5K-SE | 1.00 | 3.00 | 0.50 | 5.12 | 1.18 | 1.21 | 0.53 | 1/2-20 |



GBH35



Beam

## GSE General Sensor

Replacement for HBM SBE & SBTE and ElectroScale low profile shear beams. Load hole is threaded. 500 lb is 3/8-16UNC, 4K is 1/2-20UNF, 10K is 3/4-10UNC.

3 mv/v, 412/352 ohm, 20 ft 4 wire cable, nickel plated steel, IP67.

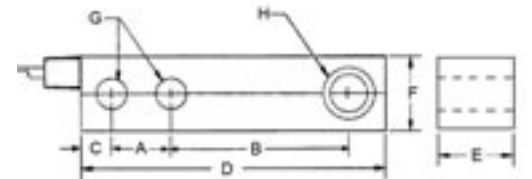
| Part Number | Electroscale | Capacity | Weight | SKU | List      |
|-------------|--------------|----------|--------|-----|-----------|
| GSE-500     | 017116-001   | 500 lb   | 2 lb   | 860 | \$ 520.00 |



GSE  
Beam Cell

### Dimensions in inches

| Capacity | A    | B    | C    | D    | E    | F    | G     | H      |
|----------|------|------|------|------|------|------|-------|--------|
| 500      | 1.50 | 2.25 | 0.40 | 4.50 | 0.49 | 0.73 | 0.257 | 3/8-16 |
| 4K       | 1.75 | 3.00 | 1.75 | 6.00 | 1.25 | 1.25 | 0.257 | 1/2-20 |
| 10K      | 2.60 | 4.80 | 0.81 | 9.25 | 1.75 | 1.88 | 0.810 | 3/4-10 |



Prices are subject to change without notice. Please call for current prices.

Other items are available from the manufacturers, please call for quote.

13-01 Pollitt Dr Ext  
Fair Lawn NJ 07410  
201-797-2718

**Totalcomp**  
Components

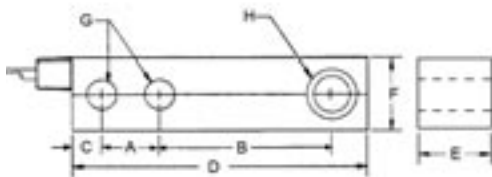
www.totalcomp.com  
sales@totalcomp.com  
Fax 201-797-2287

# Beam

Beam



NSB



## NSB Nikkei

Interchangeable with Sensortronics 65023 and RTI 5123.  
3 mv/v, 350/350 ohm, 20 ft 4 wire cable, nickel plated steel, IP67.  
NTEP Legal for Trade 93-123 (1,000 lb - 10,000 lb)

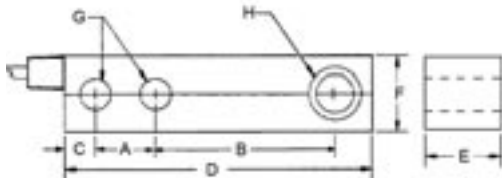
| Part Number | Capacity  | Weight | SKU  | List      |
|-------------|-----------|--------|------|-----------|
| NSB-250 *   | 250 lb    | 3 lb   | 970  | \$ 180.79 |
| NSB-500 *   | 500 lb    | 3 lb   | 1407 | 180.79    |
| NSB-1K      | 1,000 lb  | 3 lb   | 1200 | 180.79    |
| NSB-1.5K    | 1,500 lb  | 3 lb   | 301  | 180.79    |
| NSB-2K      | 2,000 lb  | 3 lb   | 1201 | 180.79    |
| NSB-2.5K    | 2,500 lb  | 3 lb   | 1202 | 180.79    |
| NSB-4K      | 4,000 lb  | 3 lb   | 1203 | 180.79    |
| NSB-5K-SE   | 5,000 lb  | 3 lb   | 985  | 180.79    |
| NSB-5K      | 5,000 lb  | 5 lb   | 1204 | 258.29    |
| NSB-10K     | 10,000 lb | 5 lb   | 1205 | 258.29    |
| NSB-15K*    | 15,000 lb | 9 lb   | 1198 | 986.48    |
| NSB-20K*    | 20,000 lb | 9 lb   | 1199 | 986.48    |

### Dimensions in inches

| Capacity | A    | B    | C    | D    | E    | F    | G    | H      |
|----------|------|------|------|------|------|------|------|--------|
| 250-500  | 1.00 | 3.00 | 0.62 | 5.12 | 1.00 | 1.25 | 0.53 | 1/2-20 |
| 1K-4K    | 1.00 | 3.00 | 0.62 | 5.12 | 1.25 | 1.25 | 0.53 | 1/2-20 |
| 5K-10K   | 1.50 | 3.75 | 0.75 | 6.75 | 1.50 | 1.50 | 0.78 | 3/4-16 |
| 10K-20K  | 2.00 | 4.88 | 1.00 | 8.88 | 2.00 | 2.00 | 1.03 | 1"-14  |



NSB-SS



## NSB-SS Nikkei

Interchangeable with Sensortronics 65023-SS and RTI 9123.  
3 mv/v, 350/350 ohm, 20 ft 4 wire cable, **stainless steel**, IP67.

| Part Number                    | Capacity  | Weight | SKU  | List      |
|--------------------------------|-----------|--------|------|-----------|
| NSB-250-SS                     | 250 lb    | 3 lb   | 2117 | \$ 336.49 |
| NSB-500-SS                     | 500 lb    | 3 lb   | 2118 | 336.49    |
| NSB-1K-SS                      | 1,000 lb  | 3 lb   | 2119 | 336.49    |
| NSB-1.5K-SS                    | 1,500 lb  | 3 lb   | 407  | 336.49    |
| NSB-2K-SS                      | 2,000 lb  | 3 lb   | 2120 | 336.49    |
| NSB-2.5K-SS                    | 2,500 lb  | 3 lb   | 2121 | 336.49    |
| NSB-4K-SS                      | 4,000 lb  | 3 lb   | 2122 | 336.49    |
| NSB-5K-SE-SS                   | 5,000 lb  | 3 lb   | 2123 | 336.49    |
| NSB-5K-SS                      | 5,000 lb  | 5 lb   | 2124 | 405.46    |
| NSB-10K-SS                     | 10,000 lb | 5 lb   | 2125 | 405.46    |
| NSB-10K-SS-40<br>w/ 40ft cable | 10,000 lb | 6 lb   | 3573 | 472.50    |
| NSB-15K-SS                     | 15,000 lb | 9 lb   | 2126 | 1,087.85  |
| NSB-20K-SS                     | 20,000 lb | 9 lb   | 2127 | 1,146.37  |

### Dimensions in inches

| Capacity | A    | B    | C    | D    | E    | F    | G    | H      |
|----------|------|------|------|------|------|------|------|--------|
| 250-500  | 1.00 | 3.00 | 0.62 | 5.12 | 1.00 | 1.25 | 0.53 | 1/2-20 |
| 1K-4K    | 1.00 | 3.00 | 0.62 | 5.12 | 1.25 | 1.25 | 0.53 | 1/2-20 |
| 5K-10K   | 1.50 | 3.75 | 0.75 | 6.75 | 1.50 | 1.50 | 0.78 | 3/4-16 |
| 10K-20K  | 2.00 | 4.88 | 1.00 | 8.88 | 2.00 | 2.00 | 1.03 | 1"-14  |

Prices are subject to change without notice. Please call for current prices.

Other items are available from the manufacturers, please call for quote.

# Beam

## NBB-SS Nikkei

Interchangeable with HBM Model BBS.

2 mv/v, 810/750 ohm (50 to 1K), 375/350 ohm (1KLE to 7.5K), 30 ft 4 wire cable, stainless steel, IP67.

| Part Number | Capacity | Weight | SKU  | List      |
|-------------|----------|--------|------|-----------|
| NBB-50-SS   | 50 lb    | 2 lb   | 1894 | \$ 508.20 |
| NBB-100-SS  | 100 lb   | 3 lb   | 1895 | 508.20    |
| NBB-200-SS  | 200 lb   | 3 lb   | 1896 | 508.20    |
| NBB-250-SS  | 250 lb   | 3 lb   | 1897 | 508.20    |
| NBB-500-SS  | 500 lb   | 3 lb   | 1898 | 508.20    |
| NBB-1K-SS   | 1,000 lb | 3 lb   | 1899 | 508.20    |
| NBB-1KLE-SS | 1,000 lb | 9 lb   | 1900 | 768.03    |
| NBB-2.5K-SS | 2,500 lb | 10 lb  | 1901 | 768.03    |
| NBB-5K-SS   | 5,000 lb | 28 lb  | 1902 | 1,270.50  |
| NBB-7.5K-SS | 7,500 lb | 28 lb  | 1903 | 1,270.50  |

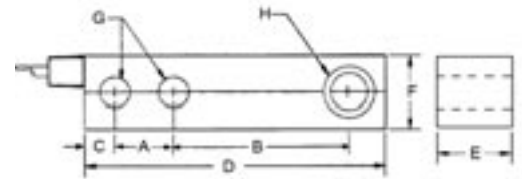
### Dimensions in inches

| Capacity | A     | B    | C    | D    | E    | F    | G     | H     |
|----------|-------|------|------|------|------|------|-------|-------|
| 50, 100  | 0.875 | 4.25 | 0.38 | 6.00 | 1.38 | 1.38 | 0.281 | 0.328 |



NBB

Beam



## NSSB Nikkei

Stainless steel shear beam. Interchangeable with HBM Model SB3 and RTI SSB.

2 mv/v, 350/350 ohm, 20 ft 4 wire cable, stainless steel, IP67.

| Part Number | Capacity  | Weight | SKU  | List      |
|-------------|-----------|--------|------|-----------|
| NSSB-1K-SS  | 1,000 lb  | 6 lb   | 1598 | \$ 687.23 |
| NSSB-2K-SS  | 2,000 lb  | 6 lb   | 1599 | 687.23    |
| NSSB-4K-SS  | 4,000 lb  | 6 lb   | 1600 | 687.23    |
| NSSB-5K-SS  | 5,000 lb  | 6 lb   | 1601 | 687.23    |
| NSSB-10K-SS | 10,000 lb | 12 lb  | 1602 | 814.28    |
| NSSB-40K-SS | 40,000 lb | 26 lb  | 1603 | 2,236.08  |

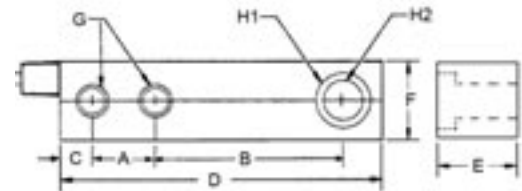
\* Resistance on 40K is 1,000/1,000 ohms

### Dimensions in inches

| Capacity | A    | B    | C    | D     | E    | F    | G    | H1   | H2       |
|----------|------|------|------|-------|------|------|------|------|----------|
| 1K-5K    | 2.50 | 3.88 | 0.75 | 8.00  | 1.88 | 1.45 | 0.53 | 1.19 | 0.68     |
| 10K      | 2.63 | 4.88 | 0.81 | 9.25  | 2.75 | 1.88 | 0.88 | 1.63 | 1.00     |
| 40K      | 3.50 | 6.25 | 1.25 | 12.50 | 3.75 | 2.75 | 1.31 | 1.88 | 1-1/2-12 |



NSSB



# Beam

Beam



NWB

## NWB Nikkei

Interchangeable with Weigh-Tronix Weigh Bar®

2 mv/v, 350/350 ohm, 20 ft 4 wire cable, stainless steel, IP67.

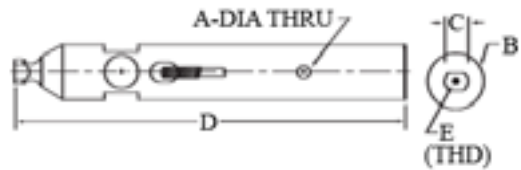
| Part Number | Weigh-Tronix | Capacity | Weight | SKU  | List      |
|-------------|--------------|----------|--------|------|-----------|
| ----        | 14700        | 250 lb   | ----   | ---- | ----      |
| ----        | 14701        | 500 lb   | ----   | ---- | ----      |
| NWB-1.25K   | 14702        | 1,250 lb | 5 lb   | 1468 | \$ 571.73 |
| NWB-2.5K    | 14703 *      | 2,500 lb | 7 lb   | 1469 | 571.73    |

\* Not interchangeable with 13495-0054-2.5K

|                   |             |           |       |      |          |
|-------------------|-------------|-----------|-------|------|----------|
| NWB-5K            | 13498       | 5,000 lb  | 10 lb | 1470 | 647.96   |
| NWB-10K           | 13851       | 10,000 lb | 17 lb | 1471 | 698.78   |
| NWB-25K           | 18824/17604 | 25,000 lb | 38 lb | 1472 | 1,048.16 |
| NWB-37.5K (3mv/v) |             | 37,500 lb | 38 lb | 3995 | 1,048.16 |

Weigh Bar® is a registered trademark of Weigh-Tronix Inc

### Dimensions in inches



| Capacity | A     | B    | C    | D     | E       |
|----------|-------|------|------|-------|---------|
| 1.25K    | 0.312 | 1.25 | 0.63 | 11.50 | 8-32    |
| 2.5K     | 0.375 | 1.25 | 0.70 | 11.50 | 6-32    |
| 5K       | 0.375 | 1.62 | 0.88 | 10.88 | 8-32    |
| 10K      | 0.50  | 2.50 | 0.88 | 12.63 | 8-32    |
| 25K      | 0.50  | 3.50 | 1.75 | 15.00 | 5/16-18 |
| 37.5K    | 0.50  | 3.50 | 1.75 | 15.00 | 5/16-18 |



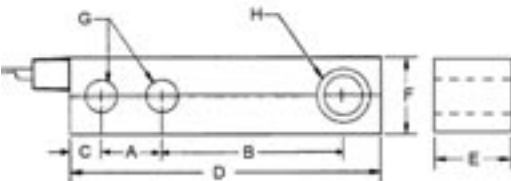
IDS608

## IDS608 SDS

Replacement for 4' x 4' floor scale. Each scale has (2) 3' cable load cells and (2) 8' cable load cells. The replacement should have the same cable length as the original.

3 mv/v, 350/350 ohm, nickel plated steel.

| Part Number                   | Capacity | Weight | SKU  | List      |
|-------------------------------|----------|--------|------|-----------|
| <b>3 ft cable 4 conductor</b> |          |        |      |           |
| IDS608-1K-C3-3ft              | 1,000 lb | 3 lb   | 7090 | \$ 275.00 |
| IDS608-2.5KLB-C3-3ft          | 2,500 lb | 3 lb   | 3354 | 275.00    |
| <b>8 ft cable 4 conductor</b> |          |        |      |           |
| IDS608-1K-C3-8ft              | 1,000 lb | 3 lb   | 7091 | 275.00    |
| IDS608-2.5KLB-C3-8 ft         | 2,500 lb | 3 lb   | 3355 | 275.00    |



### Dimensions in inches

| Capacity | A    | B    | C    | D    | E    | F    | G    | H      |
|----------|------|------|------|------|------|------|------|--------|
| 2.5K     | 1.00 | 3.00 | 0.60 | 5.12 | 1.25 | 1.25 | 0.53 | 1/2-20 |

Prices are subject to change without notice. Please call for current prices.

Other items are available from the manufacturers, please call for quote.

# Beam

## SBS Transcell

Interchangeable with Sensortronics 65023 and RT1 5123.  
3 mv/v, 350/350 ohm, 20 ft 4 wire cable, nickel plated steel, IP67  
NTEP Legal for Trade 1,000 lb to 10,000 lb

| Part Number | Capacity  | Weight  | SKU       | List   |
|-------------|-----------|---------|-----------|--------|
| SBS-100     | 100 lb    | 2.35 lb | \$ 180.00 |        |
| SBS-250     | 250 lb    | 2.35 lb | 4406      | 180.00 |
| SBS-500     | 500 lb    | 2.35 lb | 4452      | 180.00 |
| SBS-1K      | 1,000 lb  | 2.35 lb | 4463      | 180.00 |
| SBS-2.5K    | 2,500 lb  | 2.35 lb | 4453      | 180.00 |
| SBS-4K      | 4,000 lb  | 2.35 lb | 4454      | 180.00 |
| -           |           |         |           |        |
| SBS-5K-SE   | 5,000 lb  | 2.35 lb | 661       | 180.00 |
| SBS-5K-LE   | 5,000 lb  | 5 lb    | 4455      | 295.00 |
| SBS-10K     | 10,000 lb | 5 lb    | 4456      | 295.00 |
| SBS-15K-SE  | 15,000 lb | 6 lb    | 4457      | 295.00 |
| SBS-20K     | 20,000 lb | 8 lb    | 4458      | 555.00 |

### Metric capacities

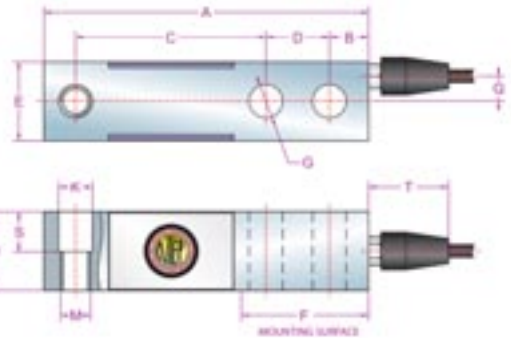
|           |          |         |      |        |
|-----------|----------|---------|------|--------|
| SBS-500kg | 500 kg   | 2.35 lb | 4459 | 195.00 |
| SBS-2t    | 2,000 kg | 2.35 lb | 4460 | 195.00 |

### Dimensions

| Capacity           |    | A     | B    | C     | D    | E    | F    | G    | H    | M          | K    | S    | T    | Q    |
|--------------------|----|-------|------|-------|------|------|------|------|------|------------|------|------|------|------|
| 250 - 5,000 lbs    | in | 5.12  | 0.62 | 3.00  | 1.00 | 1.25 | 2.24 | 0.53 | 1.25 | 10*20 UNF  | 0.53 | 0.64 | 1.26 | 0.40 |
|                    | mm | 130.0 | 15.7 | 76.2  | 25.4 | 31.8 | 57.0 | 13.5 | 31.8 |            | 13.5 | 16.2 | 32.0 | 10.1 |
| 5,000 - 15,000 lbs | in | 6.75  | 0.75 | 3.75  | 1.50 | 1.47 | 2.99 | 0.78 | 1.47 | 3/4-16 UNF | 0.78 | 0.70 | 1.26 | 0.51 |
|                    | mm | 171.4 | 19.0 | 95.2  | 38.1 | 37.4 | 76.0 | 19.8 | 37.4 |            | 19.8 | 17.8 | 32.0 | 13.0 |
| 15,000 - 20,000    | in | 8.75  | 1.00 | 4.75  | 2.00 | 1.97 | 4.02 | 1.03 | 1.97 | 1-14 UNF   | 1.03 | 0.98 | 0.67 | 0.67 |
|                    | mm | 222.2 | 25.4 | 120.6 | 50.8 | 50.0 | 102  | 26.2 | 50.0 |            | 26.2 | 25.0 | 17.0 | 17.0 |



SBS-5KSE



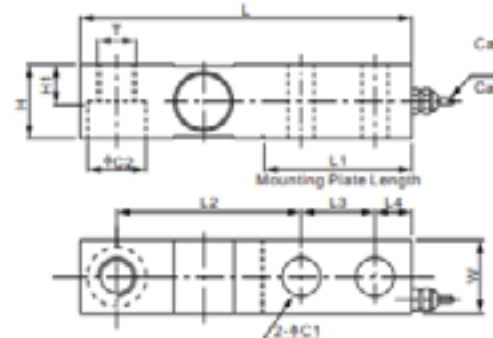
## 563YH Anyload

Interchangeable with Sensortronics 65023 and RT1 5123.  
3 mv/v, 350/350 ohm, 20 ft 4 wire cable, nickel plated steel, IP67  
NTEP Legal for Trade 1,000 lb to 10,000 lb

| Part Number | Capacity  | Weight | SKU  | List      |
|-------------|-----------|--------|------|-----------|
| 563YH-100   | 100 lb    | 3 lb   | 4679 | \$ 226.00 |
| 563YH-250   | 250 lb    | 3 lb   | 4680 | 226.00    |
| 563YH-500   | 500 lb    | 3 lb   | 4681 | 226.00    |
| 563YH-1K    | 1,000 lb  | 3 lb   | 4682 | 206.00    |
| 563YH-2.5K  | 2,500 lb  | 3 lb   | 4683 | 206.00    |
| 563YH-4K    | 4,000 lb  | 3 lb   | 4684 | 206.00    |
| -           |           |        |      |           |
| 563YH-5K-SE | 5,000 lb  | 3 lb   | 4685 | 206.00    |
| 563YH-5K    | 5,000 lb  | 4 lb   | 4686 | 320.00    |
| 563YH-10K   | 10,000 lb | 4 lb   | 4687 | 320.00    |
| 563YH-15K   | 15,000 lb | 8 lb   | 4688 | 573.00    |
| 563YH-20K   | 20,000 lb | 8 lb   | 4689 | 573.00    |



563YH



### DIMENSIONS

| RATED CAPACITY        | C1   | C2   | H    | H1   | L    | L1   | L2   | L3   | L4   | W    | T             |
|-----------------------|------|------|------|------|------|------|------|------|------|------|---------------|
| 100-4,000; SE5,000    | 0.53 | 0.81 | 1.25 | 0.60 | 5.12 | 2.25 | 3.00 | 1.00 | 0.62 | 1.25 | 1/2-20 UNF-2B |
| LE2,500; 5,000-10,000 | 0.78 | 1.19 | 1.50 | 0.75 | 6.75 | 3.00 | 3.75 | 1.50 | 0.75 | 1.50 | 3/4-16 UNF-2B |
| 15,000-20,000         | 1.03 | 1.81 | 2.00 | 1.00 | 8.75 | 4.00 | 4.75 | 2.00 | 1.00 | 2.00 | 1-14 UNS-2B   |

Prices are subject to change without notice. Please call for current prices.

Other items are available from the manufacturers, please call for quote.

13-01 Pollitt Dr Ext  
Fair Lawn NJ 07410  
201-797-2718

**Totalcomp**  
Components

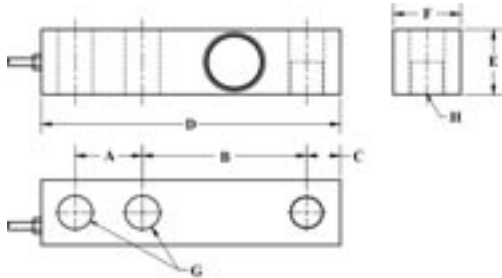
www.totalcomp.com  
sales@totalcomp.com  
Fax 201-797-2287

# Beam

Beam



SQB-H



## SQB-H Celtron

**Stainless steel.** Interchangeable with Sensortronics 65083 and Rice Lake RL35023.  
3 mv/v, 385/350 ohm, 20 ft 4 wire cable, **stainless steel**, IP68.  
NTEP Legal for Trade Class III

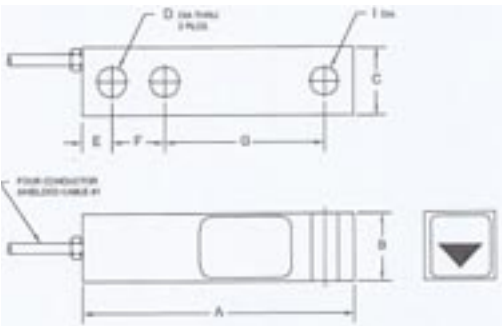
| Part Number               | Capacity  | Weight | SKU  | List      |
|---------------------------|-----------|--------|------|-----------|
| SQB-1K-HSS                | 1,000 lb  | 3 lb   | 8092 | \$ 339.63 |
| SQB-2K-HSS                | 2,000 lb  | 3 lb   | 8093 | 339.63    |
| SQB-2.5K-HSS              | 2,500 lb  | 3 lb   | 8094 | 339.63    |
| SQB-2.5K-HSS w/ 30' cable | 2,500 lb  | 3 lb   | 8095 | 387.62    |
| SQB-4K-HSS                | 4,000 lb  | 3 lb   | 8096 | 339.63    |
| SQB-5K-SE-HSS             | 5,000 lb  | 3 lb   | 8097 | 339.63    |
| SQB-5K-HSS                | 5,000 lb  | 5 lb   | 8098 | 444.13    |
| SQB-10K-HSS               | 10,000 lb | 5 lb   | 8099 | 444.13    |

### Dimensions in inches

| Capacity | A    | B    | C    | D    | E    | F    | G    | H          |
|----------|------|------|------|------|------|------|------|------------|
| 1-5K     | 1.00 | 3.00 | 0.50 | 5.12 | 1.22 | 1.22 | 0.53 | 1/2-20 UNF |
| 5-10K    | 1.50 | 3.75 | 0.75 | 6.75 | 1.50 | 1.50 | 0.78 | 3/4-16 UNF |



30210



## 30210 Artech

Interchangeable with Sensortronics 65023 and RTI 5123. Thru load hole.  
3 mv/v, 350/350 ohm, 20 ft 4 wire cable, nickel plated steel, IP67  
NTEP Legal for Trade

| Part Number | Capacity  | Weight | SKU  | List      |
|-------------|-----------|--------|------|-----------|
| 30210-250   | 250 lb    | 3 lb   | 4410 | \$ 339.44 |
| 30210-500   | 500 lb    | 3 lb   | 4411 | 339.44    |
| 30210-1K    | 1,000 lb  | 3 lb   | 4412 | 339.44    |
| 30210-2K    | 2,000 lb  | 3 lb   | 4413 | 339.44    |
| 30210-2.5K  | 2,500 lb  | 3 lb   | 4414 | 339.44    |
| 30210-3K    | 3,000 lb  | 3 lb   | 4415 | 339.44    |
| 30210-4K    | 4,000 lb  | 4 lb   | 4416 | 339.44    |
| 30210-5KSE  | 5,000 lb  | 4 lb   | 4417 | 339.44    |
| 30210-5KLE  | 5,000 lb  | 5 lb   | 4418 | 576.41    |
| 30210-10K   | 10,000 lb | 5 lb   | 4419 | 576.41    |
| 30210-15K   | 15,000 lb | 9 lb   | 4420 | 1,024.72  |
| 30210-20K   | 20,000 lb | 9 lb   | 4421 | 1,133.60  |

### Dimensions in inches

| Capacity | A    | B    | C    | D    | E    | F   | G    | I dia |
|----------|------|------|------|------|------|-----|------|-------|
| 250-5KSE | 5.12 | 1.25 | 1.25 | 0.53 | 0.60 | 1.0 | 3.00 | 0.53  |
| 5KLE-10K | 6.75 | 1.50 | 1.50 | 0.78 | 0.75 | 1.5 | 3.75 | 0.78  |
| 10K-20K  | 8.75 | 2.00 | 2.00 | 1.03 | 1.00 | 2.0 | 4.75 | 1.03  |

Prices are subject to change without notice. Please call for current prices.

Other items are available from the manufacturers, please call for quote.

# Beam

## 30310 Artech

3 mv/v, 350/350 ohm, 20 ft 4 wire cable, electroless nickel/chrome plated.

FM Approved

NTEP Legal for Trade 87-058

| Part Number | Capacity  | Weight | SKU  | List      |
|-------------|-----------|--------|------|-----------|
| 30310-250*  | 250 lb    | 3 lb   | 8062 | \$ 339.44 |
| 30310-500*  | 500 lb    | 3 lb   | 8063 | 339.44    |
| 30310-1K    | 1,000 lb  | 3 lb   | 8064 | 339.44    |
| 30310-1.5K  | 1,500 lb  | 3 lb   | 8065 | 339.44    |
| 30310-2K    | 2,000 lb  | 3 lb   | 8066 | 339.44    |
| 30310-2.5K  | 2,500 lb  | 3 lb   | 8067 | 339.44    |
| 30310-3K    | 3,000 lb  | 3 lb   | 8068 | 339.44    |
| 30310-4K    | 4,000 lb  | 3 lb   | 8069 | 339.44    |
| 30310-5K-SE | 5,000 lb  | 3 lb   | 8070 | 339.44    |
| 30310-5K-LE | 5,000 lb  | 9 lb   | 8071 | 576.41    |
| 30310-10K   | 10,000 lb | 9 lb   | 8072 | 576.41    |
| 30310-15K   | 15,000 lb | 9 lb   | 8073 | 1,024.72  |
| 30310-20K   | 20,000 lb | 9 lb   | 8074 | 1,133.60  |

\* Bending beam

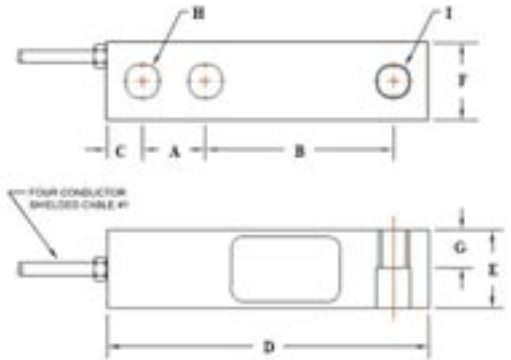
### Dimensions in inches

| Capacity | A    | B    | C    | D    | E    | F    | G    | H    | I             |
|----------|------|------|------|------|------|------|------|------|---------------|
| 250-5k   | 1.00 | 3.00 | 0.60 | 5.12 | 1.25 | 1.25 | 0.60 | 0.53 | 1/2-20 UNF 2B |
| 5KLE-10K | 1.50 | 3.75 | 0.75 | 6.75 | 1.50 | 1.50 | 0.75 | 0.78 | 3/4-16 UNF 2B |
| 15-20k   | 2.00 | 4.75 | 1.00 | 8.75 | 2.00 | 2.00 | 1.00 | 1.03 | 1-14 UNF 2B   |



30310

Beam



## SS30310 Artech

3 mv/v, 350/350 ohm, 20 ft 4 wire cable, stainless steel.

FM Approved

NTEP Legal for Trade 87-058

| Part Number   | Capacity  | Weight | SKU  | List      |
|---------------|-----------|--------|------|-----------|
| SS30310-250 * | 250 lb    | 3 lb   | 8075 | \$ 554.63 |
| SS30310-500 * | 500 lb    | 3 lb   | 8076 | 554.63    |
| SS30310-1K    | 1,000 lb  | 3 lb   | 8077 | 554.63    |
| SS30310-1.5K  | 1,500 lb  | 3 lb   | 8078 | 554.63    |
| SS30310-2K    | 2,000 lb  | 3 lb   | 8079 | 554.63    |
| SS30310-2.5K  | 2,500 lb  | 3 lb   | 8080 | 554.63    |
| SS30310-3K    | 3,000 lb  | 3 lb   | 8081 | 554.63    |
| SS30310-4K    | 4,000 lb  | 3 lb   | 8082 | 554.63    |
| SS30310-5K-SE | 5,000 lb  | 3 lb   | 8083 | 554.63    |
| SS30310-5K-LE | 5,000 lb  | 5 lb   | 8084 | 755.73    |
| SS30310-10K   | 10,000 lb | 5 lb   | 8085 | 755.73    |
| SS30310-15K   | 15,000 lb | 5 lb   | 8086 | 1,024.72  |
| SS30310-20K   | 20,000 lb | 5 lb   | 8087 | 1,140.00  |

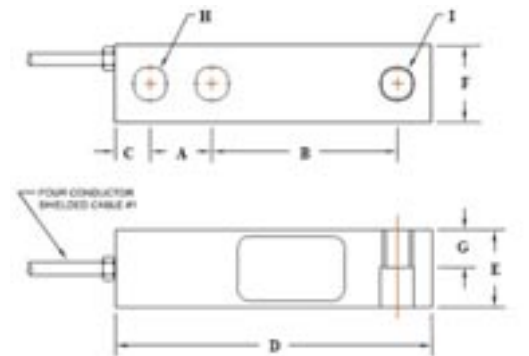
\* Bending beam

### Dimensions in inches

| Capacity | A    | B    | C    | D    | E    | F    | G    | H    | I             |
|----------|------|------|------|------|------|------|------|------|---------------|
| 250-5K   | 1.00 | 3.00 | 0.60 | 5.12 | 1.25 | 1.25 | 0.60 | 0.53 | 1/2-20 UNF 2B |
| 5KLE-10K | 1.50 | 3.75 | 0.75 | 6.75 | 1.50 | 1.50 | 0.75 | 0.78 | 3/4-16 UNF 2B |
| 15-20K   | 2.00 | 4.75 | 1.00 | 8.75 | 2.00 | 2.00 | 1.00 | 1.03 | 1-14 UNF 2B   |



SS30310



Prices are subject to change without notice. Please call for current prices.

Other items are available from the manufacturers, please call for quote.

13-01 Pollitt Dr Ext  
Fair Lawn NJ 07410  
201-797-2718

**Totalcomp**  
Components

www.totalcomp.com  
sales@totalcomp.com  
Fax 201-797-2287

# Beam

Beam



30410



## 30410 Artech

Link beam

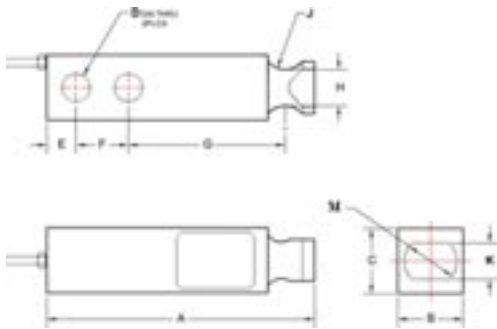
3mv/v, 350/350 ohm, 20 ft 4 wire cable, nickel plate steel, IP68

NTEP Legal for Trade 87-058

| Part Number | Capacity  | Weight | SKU  | Price     |
|-------------|-----------|--------|------|-----------|
| 30410-1K    | 1,000 lb  | 4 lb   | 8426 | \$ 386.83 |
| 30410-2K    | 2,000 lb  | 4 lb   | 8427 | 386.83    |
| 30410-2.5K  | 2,500 lb  | 4 lb   | 8428 | 386.83    |
| 30410-4K    | 4,000 lb  | 4 lb   | 8429 | 386.83    |
| 30410-5KSE  | 5,000 lb  | 4 lb   | 8430 | 386.83    |
| 30410-5KLE  | 5,000 lb  | 5 lb   | 8431 | 612.44    |
| 30410-10K   | 10,000 lb | 5 lb   | 8432 | 612.44    |

### Dimensions in inches

| Capacity | A    | B    | C    | D    | E    | F    | G    | J    | K    | M    |
|----------|------|------|------|------|------|------|------|------|------|------|
| 1K-10K   | 1.00 | 3.00 | 0.62 | 5.12 | 1.23 | 1.23 | 0.53 | 0.50 | 0.56 | 0.75 |



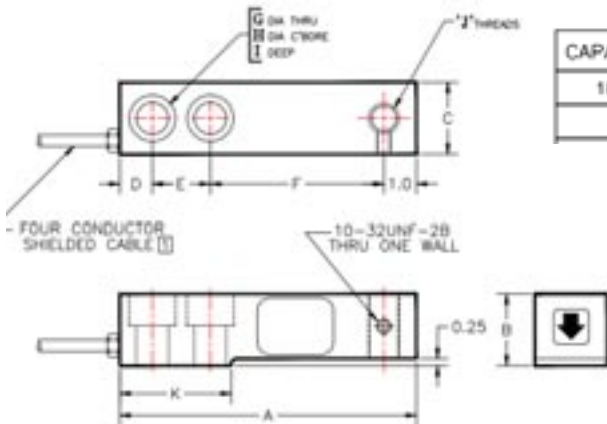
SS30510

## SS30510 Artech

Stainless steel beam.

3 mv/v, 350/350 omhs, 20 ft 4 wire. cable, stainless steel, IP67

| Part Number | Capacity | Weight  | SKU | List      |
|-------------|----------|---------|-----|-----------|
| SS30510-500 | 500 lb   | 4 lb    | 246 | \$ 605.87 |
| SS30510-1K  | 1,000 lb | 4 lb    | 296 | 605.87    |
| SS30510-5K  | 5,000 lb | 4.02 lb | 223 | 832.59    |



| CAPACITY LBS | A    | B    | C    | D    | E    | F    | G    | H     | I    | 'J' THREADS  | K    |
|--------------|------|------|------|------|------|------|------|-------|------|--------------|------|
| 1K - 5K      | 6.75 | 1.45 | 1.45 | 0.50 | 1.50 | 3.75 | 0.53 | 0.765 | 0.52 | 1/2-20UNF-2B | 2.50 |
| 10K          | 7.75 | 1.45 | 1.45 | 0.75 | 2.00 | 4.00 | 0.78 | 1.295 | 0.50 | 3/4-16UNF-2B | 3.50 |

Prices are subject to change without notice. Please call for current prices.

Other items are available from the manufacturers, please call for quote.



## SB8 Flintec

Replacement for HBM Z6.

2 mv/v, 380/350 ohm, 3m 6 wire cable, **stainless steel**, IP68.

OIML C3 10,000 div

| Part Number  | Capacity | Nominal  | Weight  | SKU  | List      |
|--------------|----------|----------|---------|------|-----------|
| SB8-10kg-C3  | 10kg     | 20 lb    | 1.23 lb | 1949 | \$ 340.00 |
| SB8-20kg-C3  | 20kg     | 40 lb    | 1.23 lb | 1950 | 340.00    |
| SB8-50kg-C3  | 50kg     | 100 lb   | 1.23 lb | 1951 | 340.00    |
| SB8-100kg-C3 | 100kg    | 200 lb   | 1.23 lb | 1952 | 340.00    |
| SB8-200kg-C3 | 200kg    | 400 lb   | 1.23 lb | 1953 | 340.00    |
| SB8-250kg-C3 | 250kg    | 500 lb   | 1.23 lb | 1954 | 340.00    |
| SB8-500kg-C3 | 500kg    | 1,000 lb | 1.23 lb | 1955 | 340.00    |

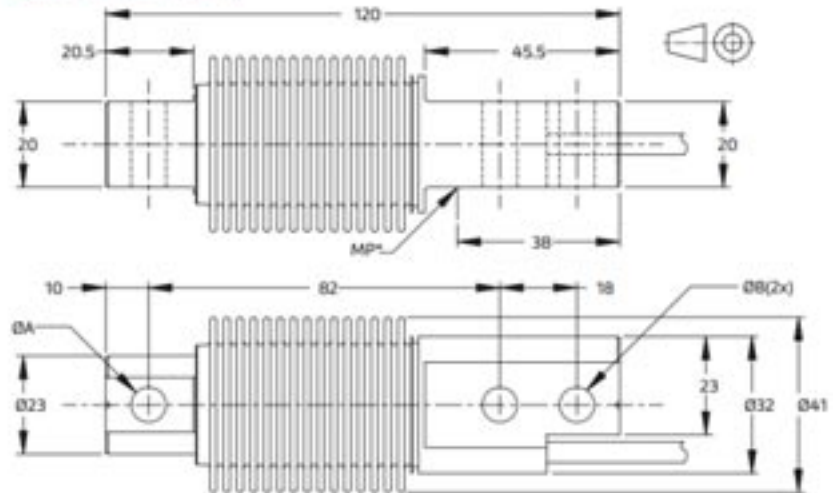


Beam

SB8



product dimensions (mm)



| Type        | A    | B   | Mounting bolts | Torque* |
|-------------|------|-----|----------------|---------|
| 10...250 kg | 8.2  | 8.2 | M8 8.8         | 25 Nm   |
| 500 kg      | 10.5 | 8.2 | M8 10.9        | 35 Nm   |

Torque\* - values assume oiled threads.  
MP\* - Edge of mounting flange

# Beam

Beam



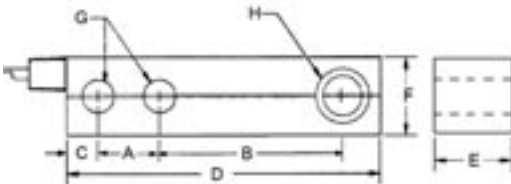
SB4-C



## SB4 Flintec

Hermetically sealed stainless steel beam load cell w/counterbore for Paramount® HS. Load hole has a blind counterbore. Interchangeable with Fairbanks SB4 load cell. 2 mv/v, 1,106/1,000 ohm, 4 wire cable length below, **stainless steel**, IP68. NTEP Legal for Trade 90-086

| Part Number       | Capacity  | Nominal   | Weight | SKU  | List      |
|-------------------|-----------|-----------|--------|------|-----------|
| <b>10ft cable</b> |           |           |        |      |           |
| SB4-5kN-C3        | 500 kg    | 1,125 lb  | 4 lb   | 4771 | \$ 473.00 |
| SB4-10kN-C3       | 1,000 kg  | 2,250 lb  | 4 lb   | 4772 | 473.00    |
| SB4-20kN-C3       | 2,000 kg  | 4,500 lb  | 4 lb   | 4773 | 473.00    |
| SB4-23kN-C3       | 2,300 kg  | 5,200 lb  | 6 lb   | 4785 | 673.00    |
| <b>15ft cable</b> |           |           |        |      |           |
| SB4-50kN-C3       | 5,000 kg  | 11,250 lb | 9 lb   | 4774 | 908.00    |
| SB4-100kN-C1      | 10,000 kg | 22,500 lb | 9 lb   | 4775 | 1,085.00  |



### Dimensions in inches

| Capacity | A    | B    | C    | D    | E    | F    | G    | H    |
|----------|------|------|------|------|------|------|------|------|
| 5kN-20kN | 1.38 | 3.15 | 0.98 | 6.10 | 1.42 | 1.18 | 0.51 | 0.71 |
| 50kN     | 1.57 | 4.13 | 0.94 | 7.48 | 1.93 | 1.69 | 0.83 | 0.98 |
| 100kN    | 1.97 | 5.31 | 1.18 | 9.65 | 2.87 | 2.36 | 1.06 | 1.18 |



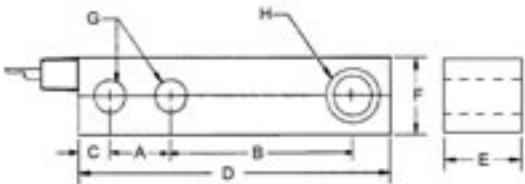
SB5-C



## SB5 Flintec

Beam load cell w/counterbore for Paramount® EP. Load hole has a blind counterbore. 2 mv/v, 1,106/1,000 ohm, 4 wire cable length below, **stainless steel**, IP67. NTEP Legal for Trade 93-134

| Part Number       | Capacity  | Nominal   | Weight | SKU  | List      |
|-------------------|-----------|-----------|--------|------|-----------|
| <b>3m cable</b>   |           |           |        |      |           |
| SB5-5kN-C         | 500 kg    | 1,125 lb  | 4 lb   | 4776 | \$ 371.00 |
| SB5-10kN-C        | 1,000 kg  | 2,250 lb  | 4 lb   | 4777 | 371.00    |
| SB5-20kN-C        | 2,000 kg  | 4,500 lb  | 4 lb   | 4778 | 371.00    |
| <b>4.5m cable</b> |           |           |        |      |           |
| SB5-50kN-C        | 5,000 kg  | 11,250 lb | 9 lb   | 4779 | 592.00    |
| SB5-100kN-C       | 10,000 kg | 22,500 lb | 15 lb  | 4841 | 851.00    |



### Dimensions in inches

| Capacity | A    | B    | C    | D    | E    | F    | G    | H    |
|----------|------|------|------|------|------|------|------|------|
| 5kN-20kN | 1.38 | 3.15 | 0.98 | 6.10 | 1.42 | 1.18 | 0.51 | 0.71 |
| 50kN     | 1.57 | 4.13 | 0.94 | 7.48 | 1.93 | 1.69 | 0.83 | 0.98 |
| 100kN    | 1.97 | 5.31 | 1.18 | 9.65 | 2.87 | 2.36 | 1.06 | 1.18 |

Prices are subject to change without notice. Please call for current prices.

Other items are available from the manufacturers, please call for quote.

# Beam

## SB14 Flintec

Replacement for beam cell in Fairbanks LCF-4060 base. Load hole is blind. Cone counterbore. Set screw holes (2) on side of cell.  
2 mv/v, 1100/1000 ohm, 9 ft 4 wire cable, **stainless steel**, IP68.

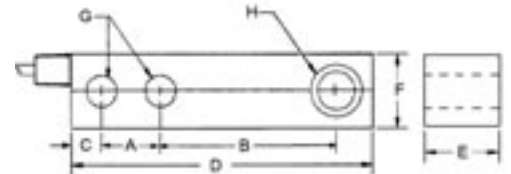
| Part Number    | Fairbanks    | New   | Capacity | Weight | SKU  | List      |
|----------------|--------------|-------|----------|--------|------|-----------|
| SB14-500LB-HB  | -----        | ----- | 500 lb   | 4 lb   | 6049 | \$ 469.00 |
| SB14-1KLB-HB   | LCF-HR4060-2 | 63895 | 1,000 lb | 4 lb   | 6447 | 469.00    |
| SB14-2.5KLB-HB | LCF-HR4060-3 | 63896 | 2,500 lb | 4 lb   | 6448 | 469.00    |
| SB14-5KLB-HB   | LCF-HR4060-4 | 63897 | 5,000 lb | 6 lb   | 6449 | 469.00    |



SB14  
Fairbanks replacement

### Dimensions in inches

| Capacity | A    | B    | C    | D    | E    | F    | G    | H     |
|----------|------|------|------|------|------|------|------|-------|
| 500-5K   | 1.00 | 3.00 | 0.75 | 5.25 | 1.22 | 1.18 | 0.51 | Blind |



## SLB Flintec

Replacement for beam cell in Fairbanks Aegis base. Load hole is blind. Cone counterbore. Set screw holes (2) on side of cell.  
2 mv/v, 1100/1000 ohm, 9 ft 4 wire cable, **stainless steel**, IP67.  
NTEP Legal for Trade 97-061

| Part Number       | Fairbanks | New   | Capacity | Weight | SKU  | List      |
|-------------------|-----------|-------|----------|--------|------|-----------|
| <b>Blind Hole</b> |           |       |          |        |      |           |
| SLB-200LB-HB      | -----     | ----- | 200 lb   | 4 lb   | 6052 | \$ 314.00 |
| SLB-500LB-HB      | -----     | ----- | 500 lb   | 4 lb   | 6053 | 314.00    |
| SLB-1KLB-HB       | 92984-1   | 63889 | 1,000 lb | 4 lb   | 6054 | 314.00    |
| SLB-2.5KLB-HB     | 92984-2   | 63890 | 2,500 lb | 4 lb   | 6055 | 314.00    |
| SLB-5KLB-HB       | 92984-3   | 63891 | 5,000 lb | 4 lb   | 6057 | 314.00    |

### Threaded load hole

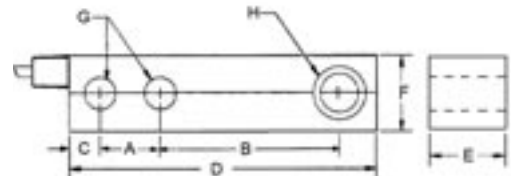
|                  |       |       |          |      |     |        |
|------------------|-------|-------|----------|------|-----|--------|
| SLB-200LB-CU-C3  | ----- | ----- | 200 lb   | 4 lb | 747 | 314.00 |
| SLB-500LB-CU-C3  | ----- | ----- | 500 lb   | 4 lb | 748 | 314.00 |
| SLB-1KLB-CU-C3   | ----- | ----- | 1,000 lb | 4 lb | 749 | 314.00 |
| SLB-2.5KLB-CU-C3 | ----- | ----- | 2,500 lb | 4 lb | 750 | 314.00 |
| SLB-5KLB-CU-C3   | ----- | ----- | 5,000 lb | 4 lb | 751 | 314.00 |

### Dimensions in inches

| Capacity | A    | B    | C    | D    | E    | F    | G    | H     |
|----------|------|------|------|------|------|------|------|-------|
| 500-5K   | 1.00 | 3.00 | 0.75 | 5.25 | 1.22 | 1.18 | 0.51 | Blind |



SLB  
Fairbanks  
replacement



Prices are subject to change without notice. Please call for current prices.

Other items are available from the manufacturers, please call for quote.

13-01 Pollitt Dr Ext  
Fair Lawn NJ 07410  
201-797-2718

**Totalcomp**  
Components

www.totalcomp.com  
sales@totalcomp.com  
Fax 201-797-2287

# Beam

Beam



PB

## PB Flintec

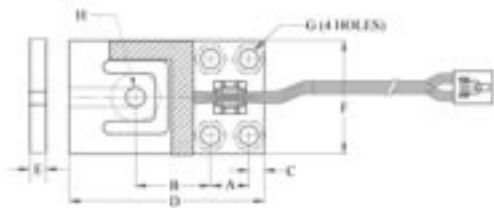
Planar beam used in Cambridge base. (4) mounting holes are thru holes. (1) load hole is thru hole.

1 mv/v, 1100/1000 ohm, 1m 4 wire ribbon cable, aluminum, IP65.

| Part Number   | Capacity | Nominal | Weight | SKU  | List     |
|---------------|----------|---------|--------|------|----------|
| PB-3.75 kg-RH | 3.75 kg  | 8 lb    | 1 lb   | 6968 | \$ 78.00 |
| PB-7.5 kg-RH  | 7.5 kg   | 16 lb   | 1 lb   | 6969 | 78.00    |
| PB-15 kg-RH   | 15 kg    | 33 lb   | 1 lb   | 6970 | 78.00    |
| PB-37.5 kg-RH | 37.5 kg  | 82 lb   | 1 lb   | 6971 | 96.00    |
| PB-75 kg-RH   | 75 kg    | 165 lb  | 1 lb   | 6972 | 125.71   |
| PB-150 kg-RH  | 150 kg   | 330 lb  | 1 lb   | 6973 | 147.14   |
| PB-375 kg-RH  | 375 kg   | 825 lb  | 1 lb   | 6974 | 168.57   |

### Threaded load hole 7/16-14

|             |        |        |      |      |        |
|-------------|--------|--------|------|------|--------|
| PB-375 kg-R | 375 kg | 825 lb | 1 lb | 6895 | 158.57 |
|-------------|--------|--------|------|------|--------|



### Dimensions in inches

| Capacity | A    | B     | C     | D    | E     | F    | G     | H     |
|----------|------|-------|-------|------|-------|------|-------|-------|
| 3.75kg   | 0.55 | 1.102 | 0.193 | 2.76 | 0.079 | 1.54 | 0.201 | 0.165 |
| 7.5kg    | 0.55 | 1.102 | 0.193 | 2.76 | 0.098 | 1.54 | 0.201 | 0.165 |
| 15kg     | 0.55 | 1.102 | 0.193 | 2.76 | 0.161 | 1.54 | 0.201 | 0.244 |
| 37.5kg   | 0.59 | 1.153 | 0.237 | 3.00 | 0.189 | 1.75 | 0.260 | 0.244 |
| 75kg     | 0.59 | 1.339 | 0.252 | 3.32 | 0.252 | 2.16 | 0.260 | 0.323 |
| 150kg    | 0.90 | 1.82  | 0.307 | 4.22 | 0.311 | 2.75 | 0.32  | 0.323 |
| 375kg    | 1.00 | 2.07  | 0.359 | 4.70 | 0.500 | 3.00 | 0.39  | 0.323 |



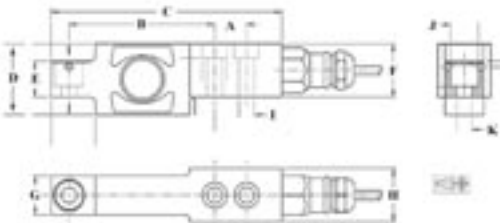
SB6

## SB6 Flintec

Hermetically sealed.

2 mv/v, 1100/1000 ohm, 10 ft 4 wire cable, stainless steel, IP68.

| Part Number | Capacity | Weight | SKU  | List      |
|-------------|----------|--------|------|-----------|
| SB6-20kg-C3 | 44.1 lb  | 2 lb   | 7070 | \$ 509.00 |
| SB6-50kg-C3 | 102 lb   | 2 lb   | 7071 | 509.00    |
| SB6-1kN-C3  | 224.8 lb | 2 lb   | 7124 | 509.00    |
| SB6-2kN-C3  | 440.9 lb | 2 lb   | 7125 | 509.00    |



### Dimensions in inches

| Capacity | A    | B    | C    | D    | E    | F    | G    | H    | I    | J    | K    |
|----------|------|------|------|------|------|------|------|------|------|------|------|
| 0.2-2kN  | 0.71 | 3.23 | 5.12 | 1.73 | 0.79 | 1.18 | 0.87 | 1.18 | 0.34 | 0.63 | 0.34 |

Prices are subject to change without notice. Please call for current prices.

Other items are available from the manufacturers, please call for quote.

# Beam

## PA6140 CNcell

3 mv/v, 385/350 ohm, 20 ft 4 wire cable, alloy tool steel, IP67.  
NTEP Legal for Trade 05-123

| Part Number | Capacity  | Weight  | SKU  | List      |
|-------------|-----------|---------|------|-----------|
| PA6140-100* | 100 lb    | 3 lb    | 7092 | \$ 206.00 |
| PA6140-250* | 250 lb    | 3 lb    | 7093 | 206.00    |
| PA6140-500* | 500 lb    | 3 lb    | 7094 | 206.00    |
| PA6140-1K   | 1,000 lb  | 3 lb    | 7095 | 206.00    |
| PA6140-2.5K | 2,500 lb  | 3 lb    | 7096 | 206.00    |
| PA6140-3K   | 3,000 lb  | 3 lb    | 7097 | 206.00    |
| PA6140-4K   | 4,000 lb  | 3 lb    | 7098 | 206.00    |
| PA6140-5KSE | 5,000 lb  | 4 lb    | 7099 | 206.00    |
| PA6140-5K   | 5,000 lb  | 5 lb    | 7100 | 330.00    |
| PA6140-10K  | 10,000 lb | 5 lb    | 7101 | 330.00    |
| PA6140-15K  | 15,000 lb | 7.12 lb | 7115 | 819.00    |
| PA6140-20K  | 20,000 lb | 8.38 lb | 7116 | 819.00    |

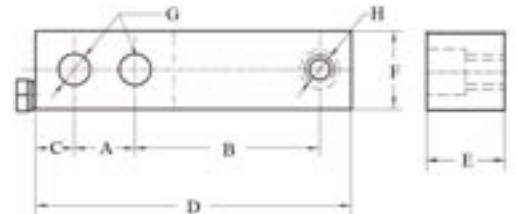
\* Not NTEP

### Dimensions in inches

| Capacity | A    | B    | C    | D    | E    | F    | G    | H      |
|----------|------|------|------|------|------|------|------|--------|
| 100-4K   | 1.00 | 3.00 | 0.62 | 5.12 | 1.25 | 1.25 | 0.53 | 1/2-20 |
| 5KSE     | 1.00 | 3.00 | 0.62 | 5.12 | 1.25 | 1.25 | 0.53 | 1/2-20 |
| 5K-10K   | 1.50 | 3.75 | 0.75 | 6.75 | 1.50 | 1.50 | 0.78 | 3/4-16 |



PA6140



## BSA CAS

Interchangeable with Sensortronics 65023 and RTI 5123.  
3 mv/v, 350/350 ohm, 20 ft 4 wire cable, nickel plated steel, IP66.  
NTEP Legal for Trade 96-072

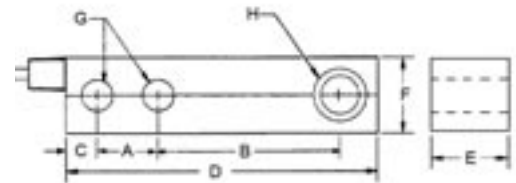
| Part Number | Capacity  | Weight | SKU  | List      |
|-------------|-----------|--------|------|-----------|
| BSA-1K      | 1,000 lb  | 3 lb   | 5667 | \$ 134.00 |
| BSA-2K      | 2,000 lb  | 3 lb   | 5668 | 134.00    |
| BSA-2.5K    | 2,500 lb  | 3 lb   | 5669 | 134.00    |
| BSA-3K      | 3,000 lb  | 3 lb   | 5670 | 134.00    |
| BSA-4K      | 4,000 lb  | 3 lb   | 5671 | 134.00    |
| BSA-5KS     | 5,000 lb  | 3 lb   | 5672 | 134.00    |
| BSA-10K     | 10,000 lb | 5 lb   | 5673 | 134.00    |

### Dimensions in inches

| Capacity | A    | B    | C    | D    | E    | F    | G    | H      |
|----------|------|------|------|------|------|------|------|--------|
| 1K-5K    | 1.00 | 3.00 | 0.62 | 5.12 | 1.25 | 1.25 | 0.53 | 1/2-20 |
| 5K,10K   | 1.50 | 3.75 | 0.75 | 6.75 | 1.50 | 1.50 | 0.78 | 3/4-16 |



BSA



Prices are subject to change without notice. Please call for current prices.

Other items are available from the manufacturers, please call for quote.

13-01 Pollitt Dr Ext  
Fair Lawn NJ 07410  
201-797-2718

**Totalcomp**  
Components

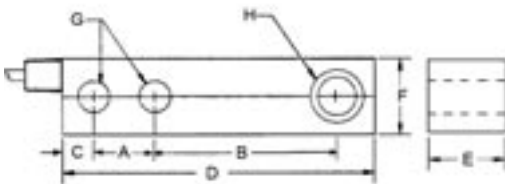
www.totalcomp.com  
sales@totalcomp.com  
Fax 201-797-2287

# Beam

Beam



**SB-2500S**  
Stainless steel



## SB Cardinal

2 mv/v, 380/350 ohm, 20 ft 4 wire cable, **stainless steel**.

NTEP Legal for Trade 87-059

OIML R60/1991-DK-97.02

| Part Number | Capacity  | Weight | SKU  | List      |
|-------------|-----------|--------|------|-----------|
| SB-2500S    | 2,500 lb  | 7 lb   | 4076 | \$ 570.00 |
| SB-5000S    | 5,000 lb  | 7 lb   | 4077 | 570.00    |
| SB-10000S   | 10,000 lb | 11 lb  | 4078 | 760.00    |
| SB-20000S   | 20,000 lb | 12 lb  | 4079 | 1,040.00  |

### Service Parts

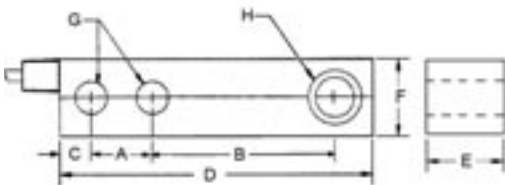
|                                       |      |      |        |
|---------------------------------------|------|------|--------|
| 3500-B067-08 load button for SB beams | 1 lb | 4067 | 108.25 |
|---------------------------------------|------|------|--------|

### Dimensions in inches

| Capacity | A    | B     | C    | D    | E    | F     | G    | H1   | H2     |
|----------|------|-------|------|------|------|-------|------|------|--------|
| 2500S    | 2.50 | 6.374 | 0.75 | 8.00 | 1.25 | 1.248 | 0.53 | 1.20 | 3/4-16 |
| 5000S    | 2.50 | 6.374 | 0.75 | 8.00 | 1.45 | 1.448 | 0.53 | 1.20 | 3/4-16 |
| 10000S   | 2.00 | 7.252 | 1.94 | 9.00 | 1.62 | 1.618 | 0.78 | 1.20 | 0.687  |
| 20000S   | 2.00 | 7.252 | 1.94 | 9.00 | 2.00 | 2.000 | 0.78 | 1.20 | 0.687  |



**LFB-500HMT**  
Stainless steel



## LFB Cardinal

2 mv/v, 380/350 ohm, 10 ft 4 wire cable, **stainless steel** and nickel plated steel.

| Part Number            | Capacity | Nominal  | Weight | SKU  | List      |
|------------------------|----------|----------|--------|------|-----------|
| <b>Stainless steel</b> |          |          |        |      |           |
| LFB-500HMT             | 500 lb   | 250 kg   | 4 lb   | 5256 | \$ 440.00 |
| LFB-1000HMTP           | 1,000 lb | 500 kg   | 4 lb   | 5257 | 440.00    |
| LFB-2500HMT            | 2,500 lb | 1,250 kg | 4 lb   | 5258 | 440.00    |

### Nickel plated steel

|          |        |        |      |      |        |
|----------|--------|--------|------|------|--------|
| LFB-250P | 250 lb | 125 kg | 4 lb | 5255 | 350.00 |
|----------|--------|--------|------|------|--------|

M= 0.875" counterbore and (2) 0.31" side holes

HMT= 0.875" counterbore and M12 x 1,75 threaded hole

### Dimensions in inches

| Capacity    | A    | B    | C    | D    | E    | F    | G    | H    |
|-------------|------|------|------|------|------|------|------|------|
| 250M        | 0.75 | 2.45 | 1.00 | 4.74 | 1.00 | 1.00 | 0.68 | 0.85 |
| 500-2500HMT | 0.75 | 2.45 | 1.00 | 4.74 | 1.00 | 1.00 | 0.68 | M12  |

Prices are subject to change without notice. Please call for current prices.

Other items are available from the manufacturers, please call for quote.

# Beam

## TB Cardinal

Environmentally sealed,  
2mv/v, 400/350 ohms, 10ft 4 wire. cable, **stainless steel**, IP67  
NTEP Legal for Trade 99-018.  
OIML R60/1991-DK-97.03

| Part Number | Capacity | Nominal  | Weight | SKU | List      |
|-------------|----------|----------|--------|-----|-----------|
| TB-2.5KM    | 2,500 lb | 5,000 kg | 4 lb   | 239 | \$ 490.00 |

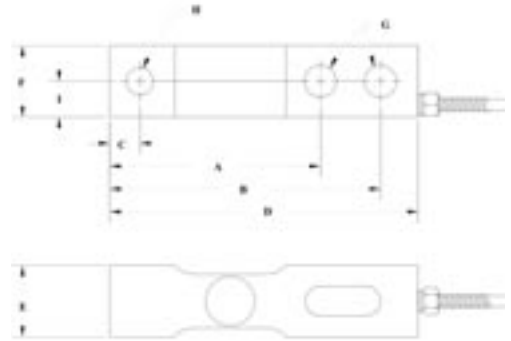


Beam

TB

### Dimensions in inches

| Capacity | A    | B    | C    | D    | E    | F    | G    | H   | I    |
|----------|------|------|------|------|------|------|------|-----|------|
| 2.5 lb   | 3.50 | 4.50 | 0.50 | 5.13 | 1.19 | 1.19 | 0.53 | M12 | 0.59 |



## CB6 Cardinal

2 mv/v, 0.03% nonlinearity, 380/350 ohm, 10 ft 4 wire cable, **stainless steel**.  
NTEP Legal for Trade 96-091

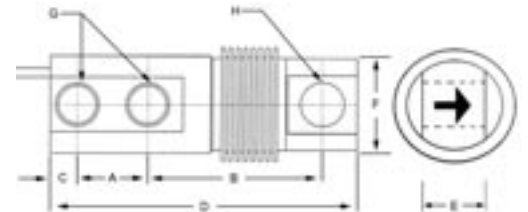
| Part Number | Capacity | Weight | SKU  | List      |
|-------------|----------|--------|------|-----------|
| CB6-10kg    | 10 kg    | 2 lb   | 5259 | \$ 630.00 |
| CB6-20kg    | 20 kg    | 2 lb   | 5260 | 630.00    |
| CB6-50kg    | 50 kg    | 2 lb   | 5261 | 630.00    |
| CB6-100kg   | 100 kg   | 2 lb   | 5262 | 630.00    |
| CB6-200kg   | 200 kg   | 2 lb   | 5263 | 630.00    |



CB6-50kg  
Stainless steel

### Dimensions in inches

| Capacity | A    | B    | C    | D    | E    | F    | G    | H    |
|----------|------|------|------|------|------|------|------|------|
| 10-200kg | 0.71 | 3.30 | 0.39 | 4.72 | 0.79 | 0.96 | 0.32 | 0.32 |



Prices are subject to change without notice. Please call for current prices.

Other items are available from the manufacturers, please call for quote.

13-01 Pollitt Dr Ext  
Fair Lawn NJ 07410  
201-797-2718

**Totalcomp**  
Components

www.totalcomp.com  
sales@totalcomp.com  
Fax 201-797-2287



### 350N Utilcell

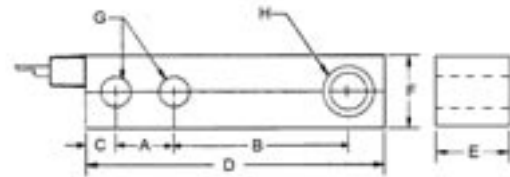
Interchangeable with Sensortronics Model 65023.  
 3 mv/v, 350/350 ohm, 20 ft 4 wire cable, nickel plated steel, IP66  
 NTEP Legal for Trade 17-009.



350N



| Part Number  | Capacity  | Weight | SKU  | List      |
|--------------|-----------|--------|------|-----------|
| 350N-250-US  | 250 lb    | 3 lb   | 8263 | \$ 265.00 |
| 350N-500-US  | 500 lb    | 3 lb   | 8264 | 265.00    |
| 350N-1K-US   | 1,000 lb  | 3 lb   | 8265 | 265.00    |
| 350N-1.5K-US | 1,500 lb  | 3 lb   | 8266 | 265.00    |
| 350N-2K-US   | 2,000 lb  | 3 lb   | 8267 | 265.00    |
| 350N-2.5K-US | 2,500 lb  | 3 lb   | 8268 | 265.00    |
| 350N-4K-US   | 4,000 lb  | 3 lb   | 8269 | 265.00    |
| 350N-5KSE-US | 5,000 lb  | 3 lb   | 8270 | 265.00    |
| 350N-5K-US   | 5,000 lb  | 5 lb   | 8271 | 350.00    |
| 350N-10K-US  | 10,000 lb | 5 lb   | 8272 | 350.00    |



#### Dimensions in inches

| Capacity | A    | B    | C    | D    | E    | F    | G    | H      |
|----------|------|------|------|------|------|------|------|--------|
| 1K,4K    | 1.00 | 3.00 | 0.62 | 5.12 | 1.23 | 1.23 | 0.53 | 1/2-20 |
| 5K,10K   | 1.50 | 3.75 | 0.75 | 6.75 | 1.45 | 1.45 | 0.78 | 3/4-16 |



### 350A Utilcell

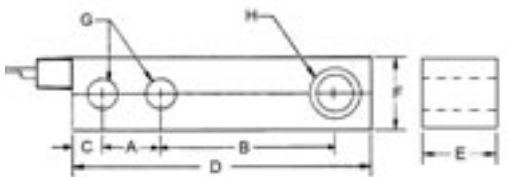
Interchangeable with Sensortronics Model 65023-SS.  
 3 mv/v, 350/350 ohm, 20 ft 4 wire cable, **stainless steel**, IP66.  
 NTEP Legal for Trade 17-009



350A



| Part Number  | Capacity  | Weight | SKU  | List      |
|--------------|-----------|--------|------|-----------|
| 350A-1K-US   | 1,000 lb  | 3 lb   | 8273 | \$ 295.00 |
| 350A-1.5K-US | 1,500 lb  | 3 lb   | 8274 | 295.00    |
| 350A-2.5K-US | 2,500 lb  | 3 lb   | 8276 | 295.00    |
| 350A-4K-US   | 4,000 lb  | 3 lb   | 8277 | 295.00    |
| 350A-5K-US   | 5,000 lb  | 5 lb   | 8278 | 395.00    |
| 350A-10K-US  | 10,000 lb | 5 lb   | 8279 | 395.00    |



#### Dimensions in inches

| Capacity | A    | B    | C    | D    | E    | F    | G    | H      |
|----------|------|------|------|------|------|------|------|--------|
| 1K,4K    | 1.00 | 3.00 | 0.62 | 5.12 | 1.23 | 1.23 | 0.53 | 1/2-20 |
| 5K,10K   | 1.50 | 3.75 | 0.75 | 6.75 | 1.45 | 1.45 | 0.78 | 3/4-16 |





### 350I Utilcell

Hermetically sealed stainless steel cell that is interchangeable with Sensortronics 65083-0100 and RTI 9123. White jacket teflon load cell cable for easy cleaning and high temperature usage.

3 mv/v, 390/350 ohm, 20ft 4 wire teflon cable, **stainless steel**, IP69K

NTEP Legal for Trade 17-009

| Part Number  | Capacity  | Weight | SKU  | List      |
|--------------|-----------|--------|------|-----------|
| 350I-2.5K-US | 2,500 lb  | 3 lb   | 8282 | \$ 325.00 |
| 350I-5K-US   | 5,000 lb  | 5 lb   | 8284 | 435.00    |
| 350I-10K-US  | 10,000 lb | 5 lb   | 8285 | 435.00    |

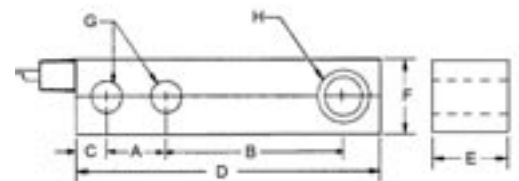
#### Dimensions in inches

| Capacity | A    | B    | C    | D    | E    | F    | G    | H      |
|----------|------|------|------|------|------|------|------|--------|
| 1K-4K    | 1.00 | 3.00 | 0.60 | 5.12 | 1.25 | 1.25 | 0.53 | 1/2-20 |
| 5K,10K   | 1.50 | 3.75 | 0.75 | 6.75 | 1.50 | 1.50 | 0.78 | 3/4-16 |



Beam

350I



### 300 Utilcell

**Hermetically sealed**, low profile, stainless steel bellows and element make this cell ideal for harsh or caustic environments as well as washdown applications. Interchangeable with HBM Z6, RTI SHB, Tedea 355, Cardinal CB6, Scaime F60X, Toledo 777.

2 mv/v, 350/350 ohms, 3 m 4 wire cable, **stainless steel**.

NTEP Legal for Trade 16-057

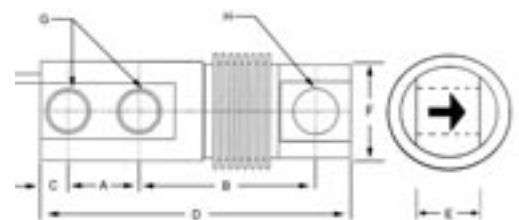
| Part Number  | Capacity | Nominal | Weight | SKU  | List      |
|--------------|----------|---------|--------|------|-----------|
| 300-05kg-US  | 5 kg     | 10 lb   | 2 lb   | 8255 | \$ 385.00 |
| 300-10kg-US  | 10 kg    | 20 lb   | 2 lb   | 8256 | 385.00    |
| 300-200kg-US | 200 kg   | 400 lb  | 2 lb   | 8260 | 385.00    |
| 300-250kg-US | 250 kg   | 500 lb  | 2 lb   | 8261 | 385.00    |

#### Dimensions in inches

| Capacity | A    | B    | C    | D    | E    | F    | G    | H    |
|----------|------|------|------|------|------|------|------|------|
| 5-250kg  | 0.71 | 3.23 | 0.24 | 4.56 | 0.79 | 1.06 | 0.32 | 0.32 |
| 500kg    | 0.71 | 3.23 | 0.24 | 4.56 | 0.79 | 1.06 | 0.41 | 0.44 |



300



Prices are subject to change without notice. Please call for current prices.

Other items are available from the manufacturers, please call for quote.

13-01 Pollitt Dr Ext  
Fair Lawn NJ 07410  
201-797-2718

**Totalcomp**  
Components

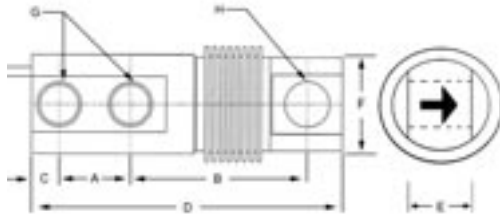
www.totalcomp.com  
sales@totalcomp.com  
Fax 201-797-2287

# Beam

Beam



F60X



## F60X Scaime

**Hermetically sealed.** Interchangeable with HBM Z6 for capacities 10kg to 500kg.  
2 mv/v, 0.017% total error, 385/350 ohms, 3 m 6 wire cable, **stainless steel**, IP68.  
OIML 613 AK/PA Class III 3,000 div.

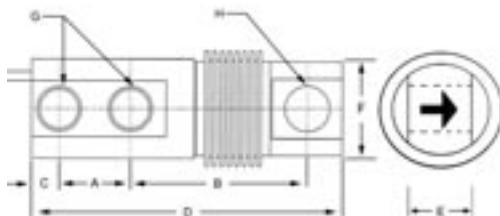
| Part Number | Capacity | Nominal   | Weight | SKU  | List      |
|-------------|----------|-----------|--------|------|-----------|
| F60X-10     | 10 kg    | 20 lb     | 2 lb   | 1933 | \$ 608.00 |
| F60X-20     | 20 kg    | 40 lb     | 2 lb   | 1934 | 608.00    |
| F60X-50     | 50 kg    | 100 lb    | 2 lb   | 1935 | 608.00    |
| F60X-100    | 100 kg   | 200 lb    | 2 lb   | 1936 | 608.00    |
| F60X-200    | 200 kg   | 400 lb    | 2 lb   | 1937 | 608.00    |
| F60X-300    | 300 kg   | 600 lb    | 2 lb   | 5745 | 608.00    |
| F60X-500    | 500 kg   | 1,000 lb  | 2 lb   | 5746 | 608.00    |
| F60X-0.5t   | 0.5 t    | 1,000 lb  | 4 lb   | 5747 | 1,064.00  |
| F60X-1t     | 1 t      | 2,000 lb  | 4 lb   | 5748 | 990.00    |
| F60X-2t     | 2 t      | 4,000 lb  | 4 lb   | 5749 | 990.00    |
| F60X-5t     | 5 t      | 10,000 lb | 8 lb   | 5750 | 1,500.00  |

### Dimensions in inches

| Capacity | A    | B    | C    | D    | E    | F    | G    | H    |
|----------|------|------|------|------|------|------|------|------|
| 10-500kg | 0.71 | 3.23 | 0.39 | 4.72 | 0.79 | 1.06 | 0.32 | 0.32 |
| 0.5-2t   | 1.00 | 3.00 | 0.45 | 5.00 | 1.10 | 1.42 | 0.51 | M12  |
| 5t       | 1.50 | 3.75 | 0.51 | 6.57 | 1.97 | 1.57 | 0.81 | M20  |



WBLH



## WBLH Weigh-Tronix

For use in Weigh-Tronix scales with WBLH load cells  
2 mv/v, 383/350 ohms, 25 ft 4 wire cable, **stainless steel**, IP68  
NTEP Legal for Trade 87-090

| Part Number | Capacity | Weight  | SKU | List        |
|-------------|----------|---------|-----|-------------|
| 57607-0056  | 1,250 lb | 2.35 lb | 70  | \$ 1,539.00 |
| 57608-0055  | 2,500 lb | 4.30 lb | 65  | 2,026.00    |

### Dimensions in inches

| Capacity | A    | B    | C     | D    | E     | F1   | F2   | G   | H         |
|----------|------|------|-------|------|-------|------|------|-----|-----------|
| 1,250 lb | 1.25 | 3.75 | 0.375 | 6.00 | 0.875 | 1.25 | 1.25 | 0.5 | 1/2-20UNF |
| 2,500 lb | —    | —    | —     | 7.00 | —     | 1.70 | 1.60 | —   | 5/8-11UNC |

Prices are subject to change without notice. Please call for current prices.

Other items are available from the manufacturers, please call for quote.

# Beam

## WBP Weigh-Tronix

For use in Weigh-Tronix scales  
2 mv/v, 350/350 ohm, 20 ft 4 wire cable, stainless steel, IP67.

| Part Number | Weigh-Tronix | Capacity | Weight | SKU  | List        |
|-------------|--------------|----------|--------|------|-------------|
| 17257-0129  | WBP-5K       | 5,000 lb | 12 lb  | 6393 | \$ 1,379.00 |



17257-0129  
WBP-5K

## WBL WBP Weigh-Tronix

For use in Weigh-Tronix scales  
2 mv/v, 350/350 ohms, 2 m 4 wire cable, painted steel, IP67.

| Part Number | Capacity  | Weight | SKU | List        |
|-------------|-----------|--------|-----|-------------|
| 41035-1076  | 1,250 lb  | 5 lb   | 43  | \$ 1,211.00 |
| 19180-0010  | 2,500 lb  | 7 lb   | 44  | 1,310.00    |
| 13498-0010  | 5,000 lb  | 10 lb  | 45  | 1,379.00    |
| 17255-0071  | 10,000 lb | 18 lb  | 66  | 1,691.00    |
| 17256-0021  | 20,000 lb | 30 lb  | 46  | 2,438.00    |



WBL WBP

## WBT Weigh-Tronix

For use in Weigh-Tronix scales with WBT load cells  
2 mv/v, 350/350 ohm, 20 ft 4 wire cable, painted steel, IP67.

| Part Number  | Weigh-Tronix              | Capacity  | Weight | SKU | List        |
|--------------|---------------------------|-----------|--------|-----|-------------|
| 18824-0055   | WBT-37.5K                 | 37,500 lb | 48 lb  | 563 | \$ 2,514.00 |
| 50104-0059   | WBT-50K                   | 50,000 lb | 48 lb  | 564 | 2,514.00    |
| 55829-0011   | WBT-60K                   | 60,000 lb | 48 lb  | 565 | 2,514.00    |
| AWT27-500106 | WBT-75K                   | 75,000 lb | 53 lb  | 287 | 2,514.00    |
| AWT15-501011 | EZ Post suspension double |           | 9 lb   | 290 | 708.00      |



WBT  
WeighTronix  
for chain link



WBT  
WeighTronix  
for EZ Post

Prices are subject to change without notice. Please call for current prices.

Other items are available from the manufacturers, please call for quote.

13-01 Pollitt Dr Ext  
Fair Lawn NJ 07410  
201-797-2718

 **Totalcomp**  
Components

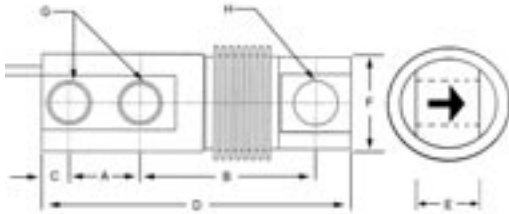
www.totalcomp.com  
sales@totalcomp.com  
Fax 201-797-2287

# Beam

Beam



CFS



## CFS - Rhino

**Hermetically sealed.** Interchangeable with Tedea 355, HBM Z6, RTI SHB, Tedea DC6, Cardinal CB6.

2 mv/v, 380/350 ohms, 3 m 6 wire orange cable, **stainless steel**, IP68.

| Part Number      | Capacity | Nominal | Weight | SKU  | List      |
|------------------|----------|---------|--------|------|-----------|
| CFS Rhino 263505 | 5 kg     | 10 lb   | 2 lb   | 3618 | \$ 271.00 |

### Dimensions in inches

| Capacity | A    | B    | C    | D    | E    | F    | G    | H    |
|----------|------|------|------|------|------|------|------|------|
| 5kg      | 0.71 | 3.23 | 0.39 | 4.72 | 0.79 | 0.91 | 0.32 | 0.32 |



563WS

## 563 - Anyload

Interchangeable with Avery Weigh-Tronix.

2 mv/v for 563WS

3 mv/v for 563WS30

385 ohm input, 350 ohm output,

6 m 4 wire cable 5,000 lb and less,

15.2 m 4 wire cable 10,000 lb and up

Stainless steel, environmentally sealed IP67.

| Part Number           | Capacity  | Interchange  | Weight   | SKU  | List      |
|-----------------------|-----------|--------------|----------|------|-----------|
| 563WS-1.25Klb-YZ      | 1,250 lb  | 41035-1076   | 4.85 lb  | 5185 | \$ 640.00 |
| 563WS-2.5Klb-YZ       | 2,500 lb  | 19180-0010   | 6.61 lb  | 5186 | 640.00    |
| 563WS-5Klb-YZ         | 5,000 lb  | 13498-0010   | 13.23 lb | 5187 | 1,023.00  |
| 563WS-10Klb-YZ        | 10,000 lb | 17255-0071   | 15.43 lb | 5188 | 1,153.00  |
| 563WS-25Klb-YZ        | 25,000 lb |              | 34.17 lb | 5189 | 1,796.00  |
| 563WS-25Klb-YZ-CG     | 25,000 lb |              | 34.17 lb | 5190 | 1,796.00  |
| 563WS30-37.5Klb-YZ-CG | 37,500 lb |              | 40.79 lb | 5191 | 1,796.00  |
| 563WS30-37.5Klb-YZ    | 37,500 lb |              | 40.79 lb | 5192 | 1,796.00  |
| 563WS30-50Klb-YZ      | 50,000 lb | 50104-0059   | 46.30 lb | 5193 | 1,930.00  |
| 563WS30-F-60Klb-YZ    | 60,000 lb | 55829-0011   | 57.32 lb | 5194 | 2,250.00  |
| 563WS30-F-75Klb-YZ    | 75,000 lb | AWT27-500080 | 57.32 lb | 5195 | 2,250.00  |

# Beam

## CG-WBL-SS Coti Global

Interchangeable with Weigh-Tronix Weigh Bar®

Stainless steel single ended beam load cell. Used in small tanks and hoppers Threaded hole. 2.5K capacity is NTEP Legal for Trade Approved.

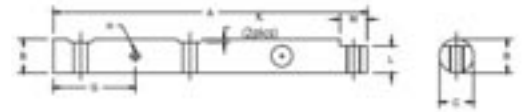
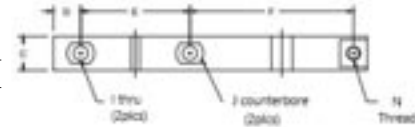
| Part Number     | Capacity | Weight | SKU | List      |
|-----------------|----------|--------|-----|-----------|
| CG-WBL-SS-1.25k | 1,250 lb | 5 lb   | 97  | \$ 723.45 |
| CG-WBL-SS-2.5k  | 2,500 lb | 7 lb   | 98  | 723.45    |



CG-WBL-SS

### Dimensions in inches

| Capacity | A    | B    | C    | D    | E | F | G    | H    | I    | J    | K    | L    | M   | N      |
|----------|------|------|------|------|---|---|------|------|------|------|------|------|-----|--------|
| 1.25K    | 11.5 | 1.25 | 1.25 | 1.00 | 4 | 6 | 3.00 | 0.31 | 0.53 | 1.03 | 0.12 | 1.00 | 1.0 | 1/2-13 |
| 2.5K     | 11.5 | 1.62 | 1.62 | 1.03 | 4 | 6 | 3.03 | 0.38 | 0.66 | 1.25 | 0.12 | 1.18 | 1.5 | 5/8-11 |



## CG-BLF Coti Global

Interchangeable with HBM BLF, Fairbanks 3-53581-X, 3-52921-1. Alloy steel single ended beam load cell used in Fairbanks scales.

2 mv/v, 1,080/1,000 ohm, 30 ft 4 wire cable, nickel plated steel, IP67.

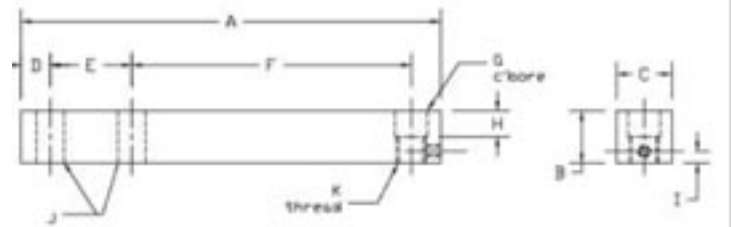
| Part Number | Capacity | Weight | SKU | List      |
|-------------|----------|--------|-----|-----------|
| CG-BLF-1.5K | 1,500 lb | 4 lb   | 663 | \$ 606.38 |
| CG-BLF-2.5K | 2,500 lb | 4 lb   | 664 | 606.38    |
| CG-BLF-5K   | 5,000 lb | 5 lb   | 665 | 721.88    |



CG-BLF

### Dimensions in inches

| Capacity    | A    | B    | C    | D    | E    | F    | G    | H   | I    | J    | K      |
|-------------|------|------|------|------|------|------|------|-----|------|------|--------|
| 1.5K - 2.5K | 9.0  | 1.13 | 1.25 | 0.62 | 1.75 | 6.00 | 0.69 | 0.5 | 0.25 | 0.53 | 5/8-18 |
| 5K          | 10.0 | 1.44 | 1.50 | 0.75 | 2.00 | 6.25 | 0.94 | 0.5 | 0.50 | 0.78 | 7/8-14 |



Prices are subject to change without notice. Please call for current prices.

Other items are available from the manufacturers, please call for quote.

13-01 Pollitt Dr Ext  
Fair Lawn NJ 07410  
201-797-2718

**Totalcomp**  
Components

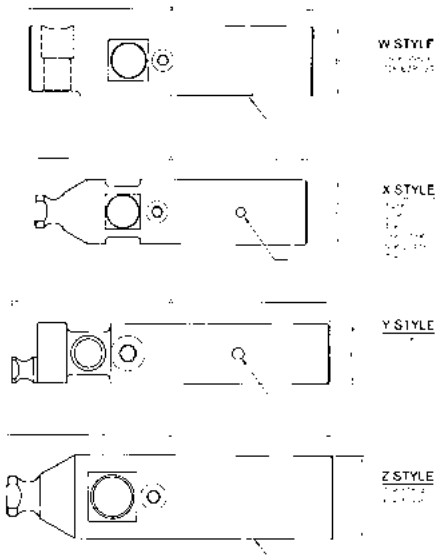
www.totalcomp.com  
sales@totalcomp.com  
Fax 201-797-2287

# Beam

Beam



CG-WB



## CG-WB-SS Coti Global

Interchangeable with Weigh-Tronix Weigh Bar®. Stainless steel single ended beam environmentally protected IP67.  
2 mv/v, 350/350 ohms, 20 ft 4 wire cable, **stainless steel**, IP67  
NTEP Legal for Trade 05-043

| Part Number        | Capacity  | Weigh-Tronix | Weight | SKU  | List      |
|--------------------|-----------|--------------|--------|------|-----------|
| CG-WB-SS-1.25K*    | 1,250 lb  | 14702        | 5 lb   | 6674 | \$ 571.73 |
| CG-WB-SS-2.5K      | 2,500 lb  | 14703        | 7 lb   | 6723 | 571.73    |
| CG-WB-SS-5K        | 5,000 lb  | 13798        | 10 lb  | 6724 | 647.96    |
| CG-WB-SS-10K       | 10,000 lb | 13851        | 17 lb  | 6725 | 698.78    |
| CG-WB-SS-25K       | 25,000 lb | 17604        | 38 lb  | 6726 | 1,102.50  |
| CG-WB-SS-37.5K     | 37,500 lb | 18824-0055   | 38 lb  | 6727 | 1,102.50  |
| CG-WB-SS-50K-27173 | 50,000 lb | 27173        | 38 lb  | 6728 | 1,187.92  |
| CG-WB-SS-50K-50104 | 50,000 lb | 50104-0059   | 42 lb  | 6729 | 1,206.98  |
| CG-WB-SS-60K-50935 | 60,000 lb | 50935        | 45 lb  | 6467 | 1,206.98  |
| CG-WB-SS-60K-55829 | 60,000 lb | 55829-0011   | 48 lb  | 6739 | 1,226.03  |
| CG-WB-SS-75K*      | 75,000 lb | AWT27-500080 | 100 lb | 6591 | 2,100.00  |

\* Not NTEP

### Dimensions in inches

| Capacity    | Style | A     | B    | C    |
|-------------|-------|-------|------|------|
| 1.25k       | X     | 11.50 | 1.25 | 0.31 |
| 2.5K        | X     | 11.50 | 1.62 | 0.38 |
| 5K          | Y     | 10.88 | 2.00 | 0.38 |
| 10K         | X     | 12.62 | 2.50 | 0.38 |
| 25K-37.5K   | X     | 14.88 | 3.50 | 0.50 |
| 50K (27173) | X     | 14.88 | 3.50 | 0.50 |
| 50K (50104) | Z     | 14.88 | 3.75 | 0.50 |
| 50K (50104) | Z     | 14.88 | 3.75 | 0.50 |
| 60K (50935) | Z     | 14.88 | 3.75 | 0.50 |
| 60K (55829) | W     | 15.39 | 3.75 | 0.50 |
| 75K-EZPOST  | W     | 15.50 | 3.75 | 0.50 |
| 75K         | X     | 18.88 | 5.00 | 0.50 |

Prices are subject to change without notice. Please call for current prices.

Other items are available from the manufacturers, please call for quote.

# Beam

## Alpha BLH

OIML Legal for Trade Certified Class C 5,000 div.  
3 mv/v, 350/350 ohms, 5 ft 4 wire cable, beryllium copper, waterproof.

| Part Number | Mfg.   | Capacity | Nominal | Weight | SKU | List      |
|-------------|--------|----------|---------|--------|-----|-----------|
| Alpha-25 *  | 469185 | 2.5 kg   | 5 lb    | 1 lb   | 187 | \$ 829.00 |
| Alpha-50    | 465783 | 5 kg     | 10 lb   | 1 lb   | 648 | 829.00    |
| Alpha-100   | 465784 | 10 kg    | 20 lb   | 1 lb   | 649 | 829.00    |
| Alpha-150   | 465785 | 15 kg    | 30 lb   | 1 lb   | 650 | 829.00    |
| Alpha-250   | 465786 | 25 kg    | 50 lb   | 1 lb   | 651 | 829.00    |
| Alpha-500   | 465788 | 50 kg    | 100 lb  | 1 lb   | 652 | 829.00    |
| Alpha-750 * | 465789 | 75 kg    | 150 lb  | 1 lb   | 612 | 829.00    |

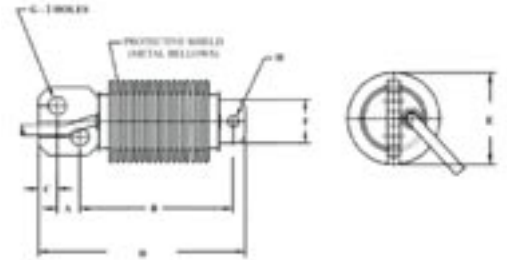
\* Not OIML



Alpha

### Dimensions in inches

| Capacity | A     | B     | C     | D     | E    | F    | G     | H     |
|----------|-------|-------|-------|-------|------|------|-------|-------|
| 25-500   | 0.256 | 1.752 | 0.216 | 2.362 | 0.98 | 0.50 | 0.201 | 0.130 |



## HTK BLH

Web tension measurement module.  
2 mv/v, 350/350 ohms, 10m 4 wire cable, stainless steel, IP67

| Part Number | Mfg.   | Capacity | Nominal | Weight | SKU  | List       |
|-------------|--------|----------|---------|--------|------|------------|
| HTK-2kN     | 472071 | 2kN      | 450 lb  | 14 lb  | 7449 | \$3,261.00 |



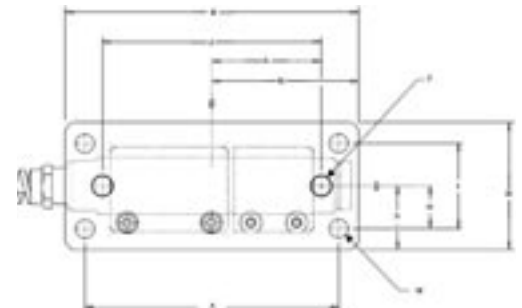
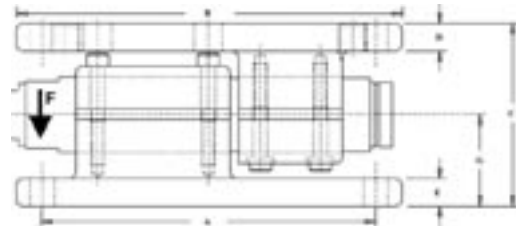
HTK BLH

### Dimensions in inches

| Capacity | A    | B    | C    | D    | E    | G    | H    | I    |
|----------|------|------|------|------|------|------|------|------|
| 2kN      | 5.94 | 6.87 | 3.27 | 0.50 | 0.50 | 1.63 | 3.00 | 2.01 |

### Dimensions in inches

| Capacity | J    | K    | L    | M    | N    | O    | T         |
|----------|------|------|------|------|------|------|-----------|
| 500-5K   | 5.13 | 3.44 | 2.56 | 0.46 | 1.50 | 1.00 | 1/2-20UNF |



Prices are subject to change without notice. Please call for current prices.

Other items are available from the manufacturers, please call for quote.

13-01 Pollitt Dr Ext  
Fair Lawn NJ 07410  
201-797-2718

**Totalcomp**  
Components

www.totalcomp.com  
sales@totalcomp.com  
Fax 201-797-2287

# Beam

Beam



**KIS-1**  
Shown w/ optional  
mounting assembly

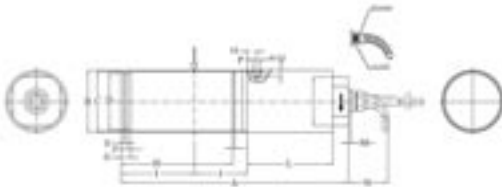
## KIS-1 BLH Beam Only

2mv/v, 350/350 ohm, 10m 4 wire cable, **stainless steel**, IP67.

| Part Number | Capacity | Nominal   | Weight | SKU  | List        |
|-------------|----------|-----------|--------|------|-------------|
| KIS-1-50    | 50kN     | 11,200 lb | 25 lb  | 7863 | \$ 2,100.00 |
| KIS-1-100   | 100kN    | 22,400 lb | 40 lb  | 7864 | 2,445.00    |
| KIS-1-200   | 200kN    | 44,900 lb | 50 lb  | 7865 | 3,663.00    |
| KIS-1-500   | 500kN    | 112,00 lb | 70 lb  | 7856 | 8,031.00    |

### Dimensions in inches

| Capacity | A     | B    | C    | D    | E    | F    | G    | H    |
|----------|-------|------|------|------|------|------|------|------|
| 50kN     | 11.46 | 3.03 | 2.95 | 2.76 | 0.10 | 0.20 | 0.47 | 5.56 |
| 100kN    | 12.40 | 3.62 | 3.54 | 3.23 | 0.10 | 0.24 | 0.59 | 6.12 |
| 200kN    | 13.62 | 3.98 | 3.94 | 3.54 | 0.12 | 0.24 | 0.59 | 6.92 |



### Dimensions in inches

| Capacity | I    | J    | K    | L    | M    | N    | O    | P    | Q    |
|----------|------|------|------|------|------|------|------|------|------|
| 50kN     | 3.66 | 2.56 | 0.10 | 4.33 | 0.12 | 1.97 | 0.55 | 0.36 | 0.28 |
| 100kN    | 4.21 | 2.56 | 0.12 | 4.72 | 0.12 | 1.97 | 0.67 | 0.50 | 0.31 |
| 200kN    | 5.04 | 2.56 | 0.12 | 5.12 | 0.12 | 1.97 | 0.75 | 0.62 | 0.33 |



**KIS-1 w/ mount**

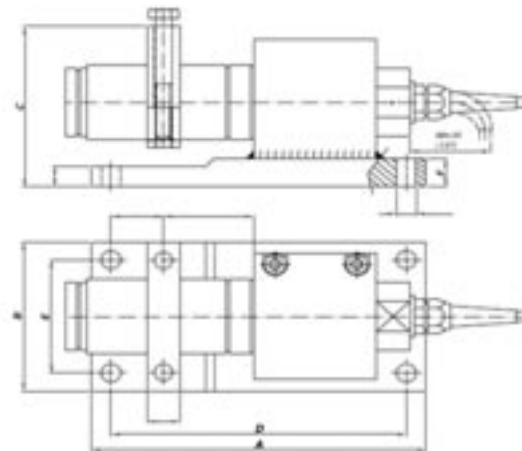
## KIS-1 BLH Beam W/Mount

2mv/v, 350/350 ohm, 10m 4 wire cable, **stainless steel**, IP67.

| Part Number        | Capacity | Nominal    | Weight | SKU  | List        |
|--------------------|----------|------------|--------|------|-------------|
| KIS-1-50 w/ mount  | 50 kN    | 11,200 lb  | 75 lb  | 1498 | \$ 3,414.00 |
| KIS-1-100 w/ mount | 100 kN   | 22,400 lb  | 105 lb | 1499 | 3,968.00    |
| KIS-1-200 w/ mount | 200 kN   | 44,900 lb  | 145 lb | 1500 | 5,618.00    |
| KIS-1-500 w/ mount | 500 kN   | 112,000 lb | 195 lb | 1501 | 15,472.00   |

### Dimensions in inches

| Capacity | A     | B     | C     | D     | E    | F    |
|----------|-------|-------|-------|-------|------|------|
| 50 kN    | 11.02 | 5.91  | 5.98  | 9.65  | 4.53 | 1.18 |
| 100 kN   | 12.20 | 6.69  | 6.81  | 10.63 | 5.12 | 1.57 |
| 200 kN   | 13.39 | 7.09  | 7.83  | 11.81 | 5.51 | 1.97 |
| 300 kN   | 13.39 | 7.09  | 7.83  | 11.81 | 5.51 | 1.97 |
| 500 kN   | 18.90 | 11.02 | 12.40 | 16.54 | 8.66 | 2.36 |



Prices are subject to change without notice. Please call for current prices.

Other items are available from the manufacturers, please call for quote.



# Beam

## KIS-2 BLH Beam Only

2mv/v, 350/350 ohm, 10m 4 wire cable, stainless steel, IP67.

| Part Number | Capacity | Nominal   | Weight | SKU  | List        |
|-------------|----------|-----------|--------|------|-------------|
| KIS-2-0.5 * | 0.5kN    | 112 lb    | 4 lb   | 7866 | \$ 2,004.00 |
| KIS-2-1     | 1kN      | 225 lb    | 4 lb   | 7867 | 2,004.00    |
| KIS-2-2     | 2kN      | 450 lb    | 4 lb   | 7868 | 2,004.00    |
| KIS-2-5     | 5kN      | 1,120 lb  | 4 lb   | 7869 | 2,004.00    |
| KIS-2-10    | 10kN     | 2,250 lb  | 9 lb   | 7870 | 2,012.00    |
| KIS-2-20    | 20kN     | 4,500 lb  | 9 lb   | 7871 | 2,028.00    |
| KIS-2-30    | 30kN     | 6,750 lb  | 9 lb   | 7872 | 2,028.00    |
| KIS-2-50    | 50kN     | 11,200 lb | 21p lb | 7873 | 2,517.00    |

\* Custom building



**KIS-2**  
Shown w/ optional  
mounting assembly

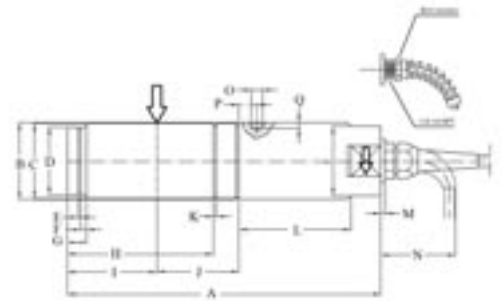
Beam

### Dimensions in inches

| Capacity | A     | B    | C    | D    | E    | F    | G    | H     |
|----------|-------|------|------|------|------|------|------|-------|
| 0.5-5kN  | 6.65  | 1.34 | 1.30 | 1.14 | 0.06 | 0.10 | 0.39 | ----- |
| 10-30kN  | 8.38  | 2.00 | 1.97 | 1.77 | 0.07 | 0.16 | 0.51 | 3.85  |
| 50kN     | 11.34 | 3.03 | 2.95 | 2.76 | 0.10 | 0.20 | 0.47 | 5.56  |

### Dimensions in inches

| Capacity | I    | J    | K     | L    | M    | N    | O    | P    | Q    |
|----------|------|------|-------|------|------|------|------|------|------|
| 0.5-5kN  | 1.81 | 1.38 | ----- | 2.75 | 0.12 | 1.97 | 0.17 | 0.39 | 0.9  |
| 10-30kN  | 2.36 | 2.16 | 0.08  | 2.95 | 0.12 | 1.97 | 0.29 | 0.47 | 0.20 |
| 50kN     | 3.66 | 2.56 | 0.10  | 4.33 | 0.12 | 1.97 | 0.36 | 0.55 | 0.28 |



## KIS-2 BLH Beam W/Mount

2mv/v, 350/350 ohm, 10m 4 wire cable, stainless steel, IP67.

| Part Number         | Capacity | Nominal   | Weight | SKU | List        |
|---------------------|----------|-----------|--------|-----|-------------|
| KIS-2-0.5 w/mount * | 0.5kN    | 112 lb    | 12 lb  | 883 | \$ 2,541.00 |
| KIS-2-1 w/mount     | 1kN      | 225 lb    | 12 lb  | 884 | 2,541.00    |
| KIS-2-2 w/mount     | 2kN      | 450 lb    | 12 lb  | 885 | 2,541.00    |
| KIS-2-5 w/mount     | 5kN      | 1,120 lb  | 12 lb  | 886 | 2,541.00    |
| KIS-2-10 w/mount    | 10kN     | 2,250 lb  | 15 lb  | 887 | 2,654.00    |
| KIS-2-20 w/mount    | 20kN     | 4,500 lb  | 25 lb  | 888 | 2,678.00    |
| KIS-2-30 w/mount    | 30kN     | 6,750 lb  | 25 lb  | 889 | 2,678.00    |
| KIS-2-50 w/mount    | 50kN     | 11,200 lb | 75 lb  | 890 | 3,952.00    |

\* Custom building



**KIS-2**  
Shown w/ mount

### Dimensions in inches

| Capacity | A     | B    | C    | D    | E    | F    | G    | H     |
|----------|-------|------|------|------|------|------|------|-------|
| 0.5-5kN  | 6.65  | 1.34 | 1.30 | 1.14 | 0.06 | 0.10 | 0.39 | ----- |
| 10-30kN  | 8.38  | 2.00 | 1.97 | 1.77 | 0.07 | 0.16 | 0.51 | 3.85  |
| 50kN     | 11.34 | 3.03 | 2.95 | 2.76 | 0.10 | 0.20 | 0.47 | 5.56  |

### Dimensions in inches

| Capacity | I    | J    | K     | L    | M    | N    | O    | P    | Q    |
|----------|------|------|-------|------|------|------|------|------|------|
| 0.5-5kN  | 1.81 | 1.38 | ----- | 2.75 | 0.12 | 1.97 | 0.17 | 0.39 | 0.9  |
| 10-30kN  | 2.36 | 2.16 | 0.08  | 2.95 | 0.12 | 1.97 | 0.29 | 0.47 | 0.20 |
| 50kN     | 3.66 | 2.56 | 0.10  | 4.33 | 0.12 | 1.97 | 0.36 | 0.55 | 0.28 |

Prices are subject to change without notice. Please call for current prices.

Other items are available from the manufacturers, please call for quote.

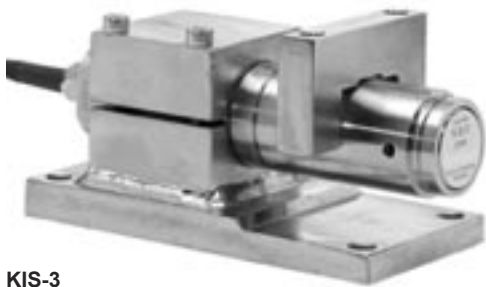
13-01 Pollitt Dr Ext  
Fair Lawn NJ 07410  
201-797-2718

**Totalcomp**  
Components

www.totalcomp.com  
sales@totalcomp.com  
Fax 201-797-2287

# Beam

Beam



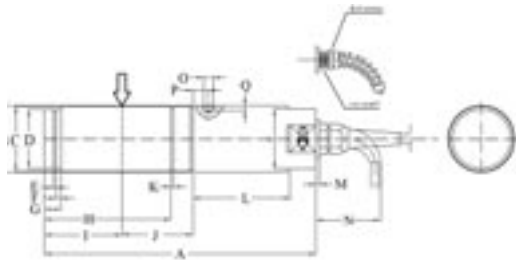
**KIS-3**  
Mount not included



## KIS-3 BLH Beam Only

NTEP Legal for Trade, III, 3,000d  
2mv/v, 350/350 ohm, 10m 4 wire cable, **stainless steel**, IP67.

| Part Number | Capacity | Nominal  | Weight | SKU  | List        |
|-------------|----------|----------|--------|------|-------------|
| KIS-3-1     | 1 kN     | 225 lb   | 8 lb   | 7874 | \$ 2,533.00 |
| KIS-3-2     | 2 kN     | 450 lb   | 8 lb   | 7875 | 2,533.00    |
| KIS-3-5     | 5 kN     | 1,120 lb | 8 lb   | 7876 | 2,533.00    |
| KIS-3-10    | 10 kN    | 2,250 lb | 12 lb  | 7877 | 2,541.00    |
| KIS-3-20    | 20 kN    | 4,500 lb | 12 lb  | 7878 | 2,556.00    |



### Dimensions in inches

| Capacity | A    | B    | C    | D    | E    | F    | G    | H    |
|----------|------|------|------|------|------|------|------|------|
| 1-5 kN   | 6.65 | 1.34 | 1.30 | 1.14 | 0.06 | 0.10 | 0.39 | ---- |
| 10-20 kN | 8.39 | 2.01 | 1.97 | 1.77 | 0.07 | 0.16 | 0.51 | 3.85 |

### Dimensions in inches

| Capacity | I    | J    | K    | L    | M    | N    | O    | P    | Q    |
|----------|------|------|------|------|------|------|------|------|------|
| 1-5 kN   | 1.81 | 1.38 | ---- | 2.76 | 0.12 | 1.97 | 0.17 | 0.39 | 0.09 |
| 10-20 kN | 2.36 | 2.17 | 0.08 | 2.95 | 0.12 | 1.97 | 0.30 | 0.47 | 0.20 |



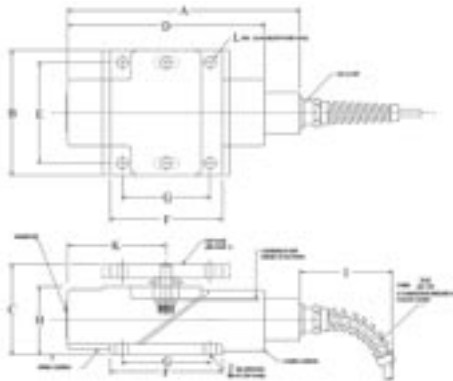
**Z-BLOK**



## Z-BLOK BLH Beam w/ Mount

2mv/v, 350/350 ohm, 10 m 4 wire cable with conduit fitting, **15-5PH stainless steel** beam, Z-BLOK painted single component, waterborne polyurethane copolymer - high gloss ductile iron.

| Part Number | Capacity  | Weight | SKU | List        |
|-------------|-----------|--------|-----|-------------|
| 468530      | 500 lb    | 14 lb  | 927 | \$ 2,038.00 |
| 462795      | 1,000 lb  | 14 lb  | 928 | 2,038.00    |
| 462796      | 2,000 lb  | 16 lb  | 929 | 2,113.00    |
| 462797      | 5,000 lb  | 18 lb  | 934 | 2,301.00    |
| 462798      | 10,000 lb | 35 lb  | 935 | 3,065.00    |
| 462799      | 20,000 lb | 50 lb  | 936 | 3,159.00    |
| 462800      | 50,000 lb | 85 lb  | 937 | 4,263.00    |



### Dimensions in inches

| Capacity  | A    | B    | C    | D     | E    | F   | G    | H    |
|-----------|------|------|------|-------|------|-----|------|------|
| 5,000 lb  | 8.25 | 4.50 | 3.47 | 7.0   | 3.62 | 4.0 | 3.12 | 2.49 |
| 10,000 lb | ---- | 5.50 | 4.55 | 9.0   | 4.42 | 5.0 | 3.12 | 3.36 |
| 20,000 lb | ---- | 6.38 | 5.39 | 10.0  | 5.06 | 5.0 | 4.18 | 3.92 |
| 50,000 lb | ---- | 7.50 | 6.98 | 12.01 | 6.0  | 7.0 | 5.0  | 4.98 |

### Dimensions in inches

| Capacity  | I    | J    | K    | L      |
|-----------|------|------|------|--------|
| 5,000 lb  | 3.00 | 0.43 | 3.50 | 3/8-16 |
| 10,000 lb | 3.00 | 0.43 | 4.50 | 1/2-13 |
| 20,000 lb | 3.00 | 0.50 | 5.0  | 5/8-11 |
| 50,000 lb | 3.00 | 0.69 | 6.0  | 3/4-10 |

Prices are subject to change without notice. Please call for current prices.

Other items are available from the manufacturers, please call for quote.

# Tank Mount

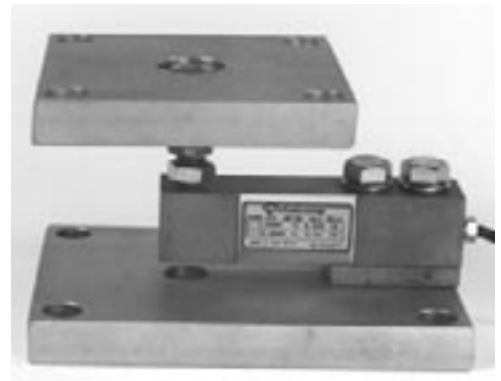
## Spherical Washer Beam Mounting Assembly (without load cell)

**Spherical Washer** Mounting assembly for single ended beams w/threaded load hole, TSB, NSB, 65023, 5123. The weighing vessel will be on a top mounting plate that is on spherical washers. Includes top plate, bottom plate, spacer and (2) bolts. There is 1/8" clearance for alignment of the top plate to the threaded rod that screws into the load cell. Zinc plated steel and **stainless steel**. Add load cell from Beam section.

| Part Number              | Capacity   | Thread | Weight | SKU  | List      |
|--------------------------|--|--------|--------|------|-----------|
| <b>Zinc Plated Steel</b> |  |        |        |      |           |
| TSWM-4K                  | 250 - 5,000SE lb                                     | 1/2-20 | 13 lb  | 3510 | \$ 332.00 |
|                          | SE = Small Envelope 5,000 lb cap                     |        |        |      |           |
| TSWM-10K                 | 5,000 - 10,000 lb                                    | 3/4-16 | 19 lb  | 3511 | 454.00    |
| TSWM-20K-14 *            | 15,000 - 20,000 lb                                   | 1-14   | 45 lb  | 2557 | 526.00    |
|                          | * Note: TSB-20K, NSB-20K, 65023-20K have 1-14 thread |        |        |      |           |

### Stainless Steel

|                   |   |        |       |      |        |
|-------------------|---|--------|-------|------|--------|
| TSWM-4K-SS        | 250 - 5,000SE lb  | 1/2-20 | 13 lb | 3512 | 483.00 |
|                   | SE = Small Envelope 5,000 lb cap                              |        |       |      |        |
| TSWM-10K-SS       | 5,000 - 10,000 lb   | 3/4-16 | 19 lb | 3513 | 757.00 |
| TSWM-20K-14-SS *  | 15,000 - 20,000 lb  | 1-14   | 45 lb | 3209 | 996.00 |
|                   | * Note: TSB-20K-SS, NSB-20K-SS, 65023-20K-SS have 1-14 thread |        |       |      |        |
| TSWM-20K-12-SS ** | 15,000 - 20,000 lb  | 1-12   | 45 lb | 3011 | 996.00 |
|                   | ** Note: 9123-20K has 1-12 thread                             |        |       |      |        |



TSWM-4K w/ optional mount

Tank Mount



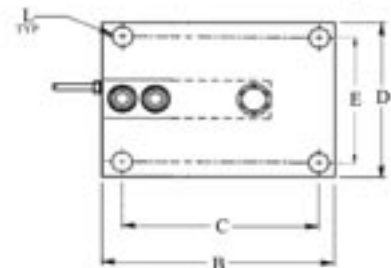
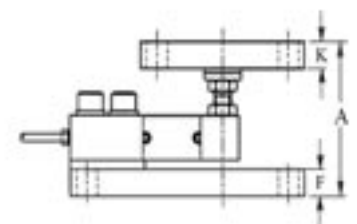
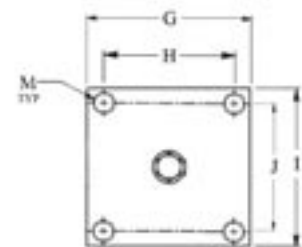
TSWM Kit

### Dimensions in inches

| Capacity | A      | B    | C    | D    | E    | F    | G    |
|----------|--------|------|------|------|------|------|------|
| 250-5KSE | 4-4.50 | 7.12 | 6.00 | 5.00 | 4.00 | 0.70 | 5.00 |
| 5K-10k   | 5-5.50 | 8.50 | 7.00 | 5.00 | 4.00 | 0.94 | 5.00 |
| 15K-20k  | 5-5.50 | 8.50 | 7.00 | 5.00 | 4.00 | 1.44 | 5.00 |

### Dimensions in inches

| Capacity | H    | I    | J    | K    | L    | M    |
|----------|------|------|------|------|------|------|
| 250-5KSE | 4.00 | 5.00 | 4.00 | 0.50 | 0.63 | 0.63 |
| 5K-10k   | 4.00 | 5.00 | 4.00 | 0.50 | 0.63 | 0.63 |
| 15K-20k  | 4.00 | 5.00 | 4.00 | 0.50 | 0.63 | 0.63 |



Prices are subject to change without notice. Please call for current prices.

Other items are available from the manufacturers, please call for quote.

13-01 Pollitt Dr Ext  
Fair Lawn NJ 07410  
201-797-2718

**Totalcomp**  
Components

www.totalcomp.com  
sales@totalcomp.com  
Fax 201-797-2287

# Tank Mount

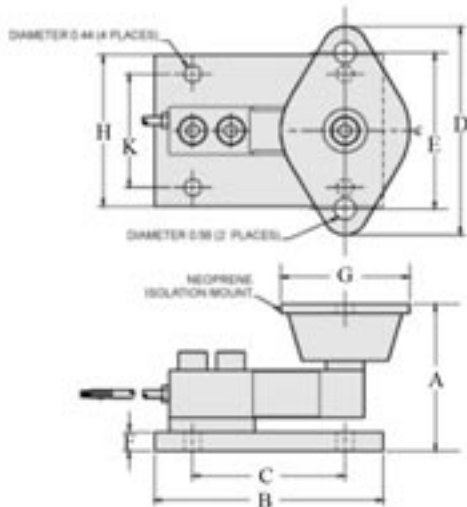
Tank Mount



TM59 Mount



Disassembled view



TM-SC-10-ZP

## TM59 Tank Mount Assembly (without load cell) Totalcomp

This assembly will convert a single ended beam into a tank mount. Totalcomp Model TSB, Nikkei Model NSB, Sensortronics Model 65023 and RTI Model 5123 are used in 500 lb to 2,500 lb capacity. Totalcomp Model TB40 or TB41 and Sensortronics Model 60040 are used in 50 lb to 250 lb capacities. The hopper or tank will be mounted firmly to the top neoprene shock absorption pad. The steel base plate is bolted to the floor or suitable structure. Zinc plated steel. Optional **stainless steel**. Add load cell from Beam section.

| Part Number | Capacity            | Weight | SKU  | List      |
|-------------|---------------------|--------|------|-----------|
| TM59-500    | 500 lb              | 3 lb   | 2699 | \$ 410.55 |
| TM59-1K     | 1,000 lb            | 3 lb   | 2700 | 410.55    |
| TM59-2.5K   | 1,500 lb - 2,500 lb | 4 lb   | 2701 | 410.55    |
| TM59-4K     | 4,000 lb            | 5 lb   | 522  | 410.55    |

### Stainless Steel

|              |                     |      |      |        |
|--------------|---------------------|------|------|--------|
| TM59-250-SS  | 50 lb - 250 lb      | 3 lb | 2698 | 410.55 |
| TM59-500-SS  | 500 lb              | 3 lb | 2702 | 431.08 |
| TM59-1K-SS   | 1,000 lb            | 3 lb | 2703 | 410.55 |
| TM59-2.5K-SS | 1,500 lb - 2,500 lb | 4 lb | 2704 | 410.55 |
| TM59-4K-SS   | 4,000 lb            | 5 lb | 1572 | 410.55 |

### Dimensions in inches

| Capacity | A    | B    | C    | D    | E    | F    | G    | H    | K    |
|----------|------|------|------|------|------|------|------|------|------|
| 50-250   | 3.13 | 4.00 | 3.25 | 3.86 | 3.00 | 0.50 | 2.38 | 3.00 | 2.25 |
| 500      | 3.88 | 6.00 | 4.00 | 5.50 | 4.13 | 0.50 | 3.38 | 4.00 | 3.00 |
| 1K       | 4.00 | 6.00 | 4.00 | 5.13 | 4.13 | 0.50 | 3.00 | 4.00 | 3.00 |
| 1.5-2.5K | 4.00 | 6.00 | 4.00 | 6.25 | 5.00 | 0.50 | 4.62 | 4.00 | 3.00 |

## TM-SC Totalcomp, beam mounting assembly (without load cell)

Single ended beams, HBM Model SB3 or RTI Model SSB will mount in this assembly. The load from the hopper or tank will be transmitted to the bottom of a vertical tension bolt that hangs from the load hole. Spherical washers at top and bottom of tension bolt allow for self alignment of the vessel. Zinc plated steel. Add load cell from Beam section.

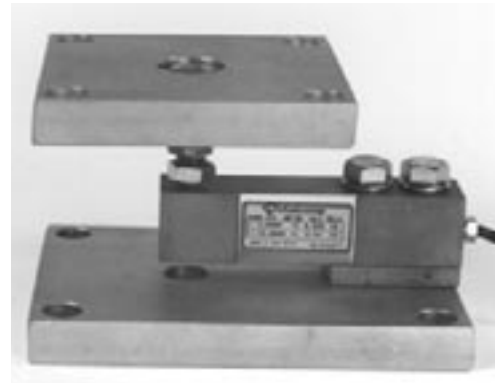
| Part Number | Capacity  | Weight | SKU | List      |
|-------------|-----------|--------|-----|-----------|
| TM-SC-10-ZP | 10,000 lb | 36 lb  | 765 | \$ 469.00 |

# Tank Mount

## Ball & Socket Beam Mounting Assembly (without load cell)

**Ball and Socket** Mounting assembly for single ended beams w/threaded load hole, TSB-SS, NSB-SS, 65023-SS, 9123. The weighing vessel will be on a top mounting plate that has a ball and socket for alignment. The ball and socket has a threaded rod that screws into the load cell. **Stainless steel.** Add load cell from Beam section.

| Part Number | Capacity          | Weight | SKU  | List      |
|-------------|-------------------|--------|------|-----------|
| TBSM-4K-SS  | 250 - 5,000SE lb  | 13 lb  | 3514 | \$ 822.00 |
| TBSM-10K-SS | 5,000 - 10,000 lb | 19 lb  | 3515 | 743.00    |



TBSM-4K-SS  
w/ optional load cell



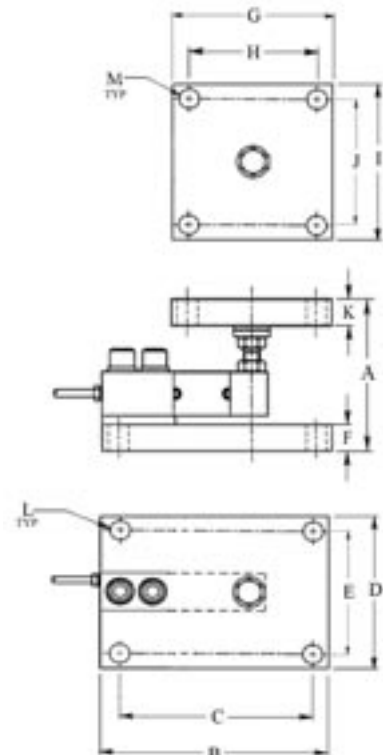
TBSM Kit

### Dimensions in inches

| Capacity | A      | B    | C    | D    | E    | F    | G    |
|----------|--------|------|------|------|------|------|------|
| 250-5KSE | 4-4.50 | 7.12 | 6.00 | 4.00 | 4.00 | 0.50 | 5.00 |
| 5K-10k   | 5-5.50 | 8.50 | 7.00 | 4.00 | 4.00 | 0.50 | 5.00 |

### Dimensions in inches

| Capacity | H    | I    | J    | K    | L    | M    |
|----------|------|------|------|------|------|------|
| 250-5KSE | 4.00 | 5.00 | 4.00 | 0.50 | 0.63 | 0.63 |
| 5K-10k   | 4.00 | 5.00 | 4.00 | 0.50 | 0.63 | 0.63 |



Prices are subject to change without notice. Please call for current prices.

Other items are available from the manufacturers, please call for quote.

# Tank

Tank



CG-RTM Mount



## CG-RTM Coti Global, Tank Mount Assembly

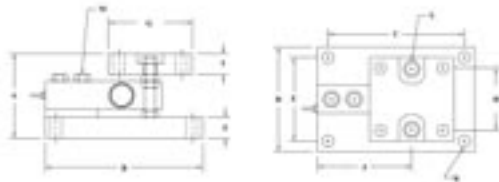
**Stainless steel** construction. Expansion and contraction due to thermal changes and side load from external forces are handled with a rocker pin mounting. After the side load has been removed the mount will recenter itself using the rocker pin. This mount is unequaled for repeatability. Overload and overlift protection. Integral lateral stops.

2 mv/v, 385/350 ohm, 30 ft 4 wire cable, stainless steel, IP67. FM Approved  
NTEP Legal for Trade 08-074

| Part Number  | Capacity  | Weight | SKU  | List        |
|--------------|-----------|--------|------|-------------|
| CG-RTM-500   | 500 lb    | 19 lb  | 8055 | \$ 1,061.16 |
| CG-RTM-1K    | 1,000 lb  | 19 lb  | 8056 | 1,061.16    |
| CG-RTM-1.25K | 1,250 lb  | 19 lb  | 8057 | 1,061.16    |
| CG-RTM-2.5K  | 2,500 lb  | 19 lb  | 8058 | 1,061.16    |
| CG-RTM-4K    | 4,000 lb  | 19 lb  | 8059 | 1,061.16    |
| CG-RTM-5K    | 5,000 lb  | 19 lb  | 8060 | 1,243.07    |
| CG-RTM-10K   | 10,000 lb | 25 lb  | 8061 | 1,424.99    |

### Dimensions in inches

| Capacity | A    | B    | C    | D    | E    | F    | G    | H    | I    |
|----------|------|------|------|------|------|------|------|------|------|
| 500-2.5K | 3.78 | 7.50 | 6.50 | 0.50 | 4.00 | 1.00 | 4.00 | 3.00 | 1.00 |
| 4K       | 3.94 | 7.50 | 6.50 | 0.50 | 4.00 | 1.00 | 4.00 | 3.00 | 1.00 |
| 5K       | 4.03 | 7.50 | 6.50 | 0.50 | 4.00 | 1.00 | 4.00 | 3.00 | 1.00 |
| 10K      | 4.28 | 8.50 | 7.50 | 5.00 | 4.00 | 1.00 | 4.00 | 3.00 | 1.00 |



### Dimensions in inches

| Capacity | J    | K    | L          | M          |
|----------|------|------|------------|------------|
| 500-2.5K | 4.50 | 0.56 | 1/2-13 UNC | 1/2-13 UNC |
| 4K       | 4.50 | 0.56 | 1/2-13 UNC | 1/2-13 UNC |
| 5K       | 4.50 | 0.56 | 1/2-13 UNC | 1/2-13 UNC |
| 10K      | 6.00 | 0.56 | 1/2-13 UNC | 3/4-10 UNC |

## Mounting assembly parts Toledo

Mouting assembly parts.

| Part Number                       | Weight | SKU | List      |
|-----------------------------------|--------|-----|-----------|
| <b>Service parts</b>              |        |     |           |
| 68004186 Top plate                | 15 lb  | 303 | \$ 726.00 |
| 69034095 Rocker pin 20k           | 1 lb   | 304 | 212.00    |
| 68000587 O ring rocker pin 5k/10k | 1 lb   | 305 | 8.88      |
| 69033692 O-ring 20k               | 1 lb   | 536 | 7.70      |
| 68001102 rocker pin 20k           | 1 lb   | 534 | 180.00    |
| 69033610 rocker pin 10k           | 1 lb   | 535 | 196.00    |

Prices are subject to change without notice. Please call for current prices.

Other items are available from the manufacturers, please call for quote.

## RTM HBM, tank mount assembly

All **stainless steel** construction, this tank mount assembly uses a hermetically sealed beam load cell with a blind load hole that has a flat loading surface. Expansion and contraction due to thermal changes and side load from external forces are handled with rocker pin mounting. After the side load has been removed the mount will re-center itself using the rocker pin. This mount is unequalled for repeatability. Overload and overlift protection. Integral lateral stops.

2 mv/v, 350/350 ohms, 15 ft 4 wire cable, 30 ft on 10K, **stainless steel** load cell and mount.

| Part Number | Capacity | Weight | SKU  | List        |
|-------------|----------|--------|------|-------------|
| RTM-4K      | 4,000 lb | 19 lb  | 5397 | \$ 1,734.00 |

### Replacement load cells

|                             |          |      |      |        |
|-----------------------------|----------|------|------|--------|
| US-THC-2.5K-30715 beam only | 2,500 lb | 3 lb | 5402 | 714.00 |
|-----------------------------|----------|------|------|--------|

### Dimensions in inches

| Capacity | A     | B     | C     | D     | E     | F     | G     |
|----------|-------|-------|-------|-------|-------|-------|-------|
| 500-2.5K | 3.782 | 7.500 | 6.500 | 5.000 | 4.000 | 3.000 | 4.000 |
| 4K       | 3.946 | 7.500 | 6.500 | 5.000 | 4.000 | 3.000 | 4.000 |
| 5K       | 4.030 | 7.500 | 6.500 | 5.000 | 4.000 | 3.000 | 4.000 |
| 10K      | 4.280 | 8.500 | 7.500 | 5.000 | 4.000 | 3.000 | 4.000 |

### Dimensions in inches

| Capacity | H     | K    | L    | M     | N     |
|----------|-------|------|------|-------|-------|
| 500-2.5K | 3.000 | 1.00 | 1.00 | 2.590 | 2.650 |
| 4K       | 3.000 | 1.00 | 1.00 | 2.590 | 2.650 |
| 5K       | 3.000 | 1.00 | 1.00 | 2.838 | 2.650 |
| 10K      | 3.000 | 1.00 | 1.00 | 3.088 | 3.900 |

## TTM Totalcomp, tank mount assembly

All **stainless steel** construction, this tank mount assembly uses a hermetically sealed beam load cell with a blind load hole that has a flat loading surface. Expansion and contraction due to thermal changes and side load from external forces are handled with rocker pin mounting. After the side load has been removed the mount will re-center itself using the rocker pin. This mount is unequalled for repeatability. Overload and overlift protection. Integral lateral stops.

2 mv/v, 350/350 ohms, 15 ft 4 wire cable, **stainless steel** load cell and mount, IP67.

| Part Number | Capacity | Weight | SKU  | List        |
|-------------|----------|--------|------|-------------|
| TTM-500-SS  | 500 lb   | 19 lb  | 2869 | \$ 1,619.00 |
| TTM-4K-SS   | 4,000 lb | 19 lb  | 2537 | 1,619.00    |

### Replacement load cells

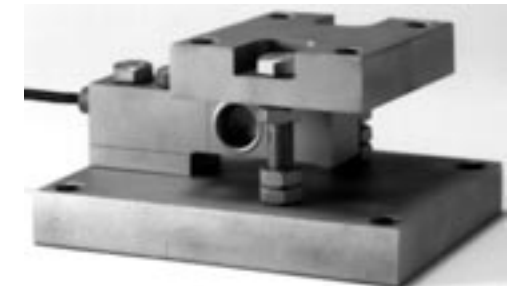
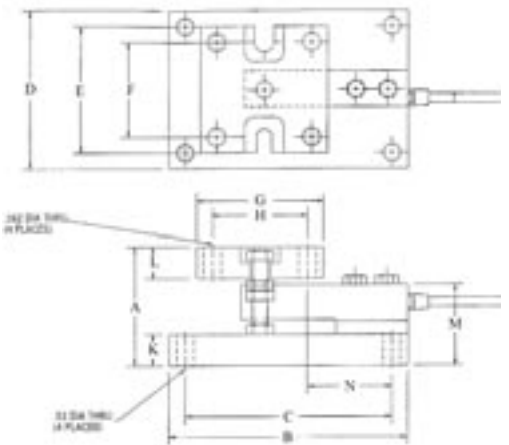
|              |          |      |      |        |
|--------------|----------|------|------|--------|
| TB745-500-SS | 500 lb   | 3 lb | 3072 | 462.00 |
| TB745-4K-SS  | 4,000 lb | 3 lb | 3075 | 440.00 |

### Dimensions in inches

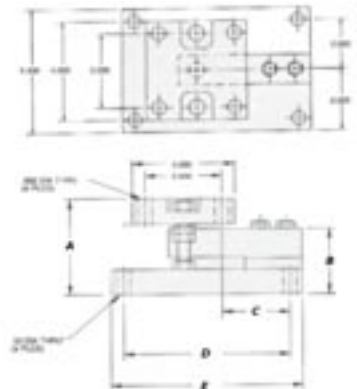
| Capacity | A     | B     | C     | D     | E     |
|----------|-------|-------|-------|-------|-------|
| 500      | 3.782 | 2.590 | 2.650 | 6.500 | 7.500 |
| 4K       | 3.986 | 2.590 | 2.650 | 6.500 | 7.500 |



RTM Tank Mount Assembly



TTM Tank Mount Assembly



Prices are subject to change without notice. Please call for current prices.

Other items are available from the manufacturers, please call for quote.

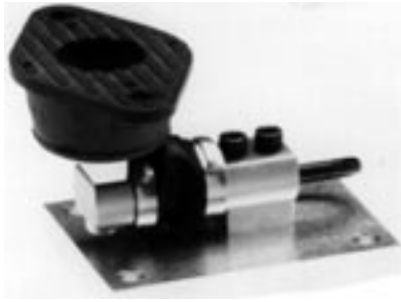
13-01 Pollitt Dr Ext  
Fair Lawn NJ 07410  
201-797-2718

**Totalcomp**  
Components

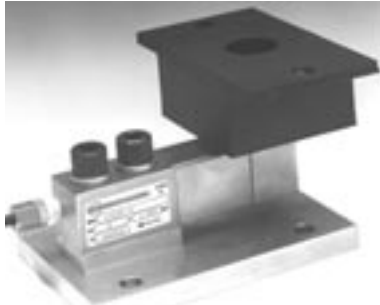
www.totalcomp.com  
sales@totalcomp.com  
Fax 201-797-2287

# Tank

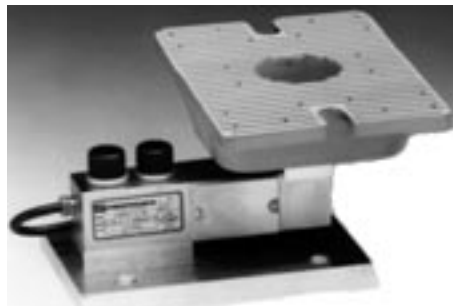
Tank



65059-100 w/ TWA



65059-1K w/TWA



65059-2.5K w/TWA

## 65059 Sensortronics, Tank Weighing Assembly

Eliminates check rods, provides shock absorption for high impact loads.

3 mv/v, 350 ohms, 20 ft 4 wire cable, nickel plated steel load cell, zinc plated steel mount, neoprene shock mount, IP67.

| Part Number      | Capacity | Weight | SKU  | List      |
|------------------|----------|--------|------|-----------|
| 65059-50 w/TWA   | 50 lb    | 4 lb   | 1483 | \$ 508.92 |
| 65059-75 w/TWA   | 75 lb    | 4 lb   | 1484 | 508.92    |
| 65059-100 w/TWA  | 100 lb   | 4 lb   | 1485 | 508.92    |
| 65059-150 w/TWA  | 150 lb   | 4 lb   | 1486 | 508.92    |
| 65059-250 w/TWA  | 250 lb   | 4 lb   | 1487 | 508.92    |
| 65059-500 w/TWA  | 500 lb   | 8 lb   | 1488 | 678.21    |
| 65059-1K w/TWA   | 1,000 lb | 9 lb   | 1489 | 678.21    |
| 65059-1.5K w/TWA | 1,500 lb | 9 lb   | 1490 | 678.21    |
| 65059-2K w/TWA   | 2,000 lb | 10 lb  | 1491 | 678.21    |
| 65059-2.5 w/TWA  | 2,500 lb | 10 lb  | 1492 | 678.21    |

### Stainless steel load cell & mount

|                      |          |       |      |        |
|----------------------|----------|-------|------|--------|
| 65059-500 w/TWA S.S. | 500 lb   | 8 lb  | 1641 | 788.98 |
| 65059-1K w/TWA S.S.  | 1,000 lb | 9 lb  | 1642 | 788.98 |
| 65059-1.5K w/TWA SS  | 1,500 lb | 9 lb  | 1643 | 788.98 |
| 65059-2K w/TWA S.S.  | 2,000 lb | 10 lb | 1644 | 788.98 |
| 65059-2.5 w/TWA S.S. | 2,500 lb | 10 lb | 1645 | 788.98 |

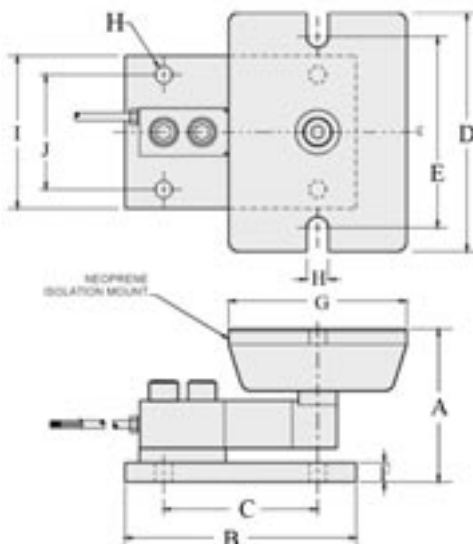
Replacement load cells are available as follows:

Capacities 50 lb through 250 lb use Sensortronics Model 60040.

Capacities 500 lb through 2,500 lb use Sensortronics Model 65023.

### Dimensions in inches

| Capacity | A    | B    | C    | D    | E    | F    | G    | H    | I    | J    |
|----------|------|------|------|------|------|------|------|------|------|------|
| 50-250   | 3.13 | 4.00 | 3.25 | 3.68 | 3.00 | 0.50 | 2.38 | 0.34 | 3.00 | 2.25 |
| 500      | 3.88 | 6.00 | 4.00 | 5.50 | 4.13 | 0.50 | 3.38 | 0.56 | 4.00 | 3.00 |
| 1K       | 4.00 | 6.00 | 4.00 | 5.13 | 4.13 | 0.50 | 3.00 | 0.44 | 4.00 | 3.00 |
| 1.5-2.5K | 4.00 | 6.00 | 4.00 | 6.25 | 5.00 | 0.50 | 4.62 | 0.56 | 4.00 | 3.00 |



Prices are subject to change without notice. Please call for current prices.

Other items are available from the manufacturers, please call for quote.



# Tank

## Stabiflex Scaime, beam mounting assembly (without load cell)

Scaime Model F60X single ended beam will mount in this assembly. Includes top and bottom mounting plates. Electrical ground strap connects the top and bottom plate. Overload stops for downward and upward forces. Ball and cup design limits side load and is self centering. **Stainless steel.** Add load cell from Beam section.

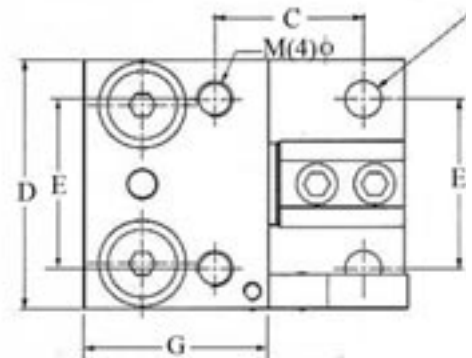
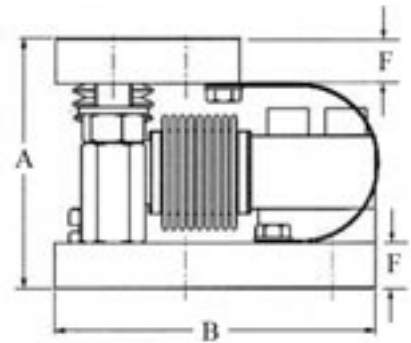
| Part Number   | Capacity | Nominal  | Weight | SKU  | List      |
|---------------|----------|----------|--------|------|-----------|
| Stabiflex 500 | 500 kg   | 1,000 lb | 22 lb  | 5751 | \$ 642.20 |
| Stabiflex 2T  | 2 t      | 4,000 lb | 36 lb  | 5752 | 836.78    |



Stabiflex

### Dimensions in inches

| Capacity | A    | B    | C    | D    | E    | F    | G    | L    | M          |
|----------|------|------|------|------|------|------|------|------|------------|
| 500      | 3.15 | 5.12 | 2.67 | 3.94 | 2.75 | 0.59 | 2.75 | 0.47 | M12 X 1.75 |
| 2t       | 4.33 | 5.51 | 2.56 | 4.33 | 2.95 | 0.78 | 3.15 | 0.63 | M16 X 2    |



## 9109 Fairbanks, double ended beam only

2 mv/v, 500/500 ohm, 25 ft 4 wire cable, stainless steel, IP68 .

| Part Number               | Capacity | Weight  | SKU  | List        |
|---------------------------|----------|---------|------|-------------|
| 98581 beam DESB SS 9109-3 | 5,000 lb | 3.67 lb | 6288 | \$ 1,179.00 |



9109 Tank cell w/ optional mount

Prices are subject to change without notice. Please call for current prices.

Other items are available from the manufacturers, please call for quote.

13-01 Pollitt Dr Ext  
Fair Lawn NJ 07410  
201-797-2718

 **Totalcomp**  
Components

www.totalcomp.com  
sales@totalcomp.com  
Fax 201-797-2287

# Tank

Tank



1408

## T408 Totalcomp, Tank Canister Mount Assembly

Low profile canister load cell is hermetically sealed, self checking and has integral mounting plates. This mount allows for thermal expansion and contraction. Also includes built in vibration dampening and a self aligning design. Nickel plated alloy steel or stainless steel construction. Built in leveling assembly for easy installation. Interchangeable with Beowulf model 408 Flexmaster

### Alloy steel, nickel plated

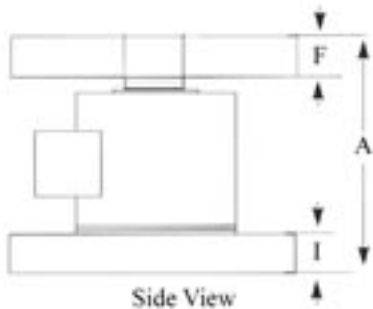
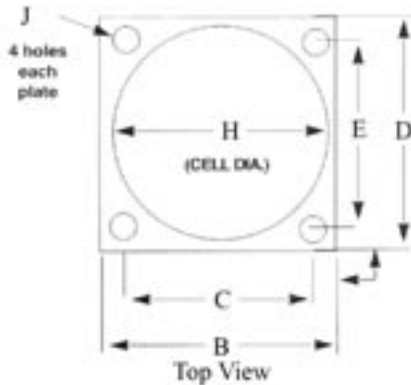
2 mv/v, 1050/1000 ohms, 25 ft 6 wire cable, nickel plated steel load cell and mounting plates, IP67.

| Part Number | Capacity | Weight | SKU  | List        |
|-------------|----------|--------|------|-------------|
| T408-300    | 300 lb   | 13 lb  | 3823 | \$ 1,468.00 |
| T408-500    | 500 lb   | 13 lb  | 3824 | 1,468.00    |
| T408-1,000  | 1,000 lb | 13 lb  | 3825 | 1,468.00    |
| T408-1,500  | 1,500 lb | 13 lb  | 3826 | 1,468.00    |
| T408-2,000  | 2,000 lb | 13 lb  | 3827 | 1,468.00    |
| T408-3,000  | 3,000 lb | 13 lb  | 3828 | 1,468.00    |
| T408-5,000  | 5,000 lb | 13 lb  | 3829 | 1,468.00    |

### Stainless steel

2 mv/v, 0.05% nonlinearity, 1050/1000 ohms, 25 ft 6 wire cable, stainless steel load cell and mounting plates, IP67.

| Part Number   | Capacity | Weight | SKU  | List        |
|---------------|----------|--------|------|-------------|
| T408-300-SS   | 300 lb   | 13 lb  | 3830 | \$ 1,566.00 |
| T408-500-SS   | 500 lb   | 13 lb  | 3831 | 1,566.00    |
| T408-1,000-SS | 1,000 lb | 13 lb  | 3832 | 1,566.00    |
| T408-1,500-SS | 1,500 lb | 13 lb  | 3833 | 1,566.00    |
| T408-2,000-SS | 2,000 lb | 13 lb  | 3834 | 1,566.00    |
| T408-3,000-SS | 3,000 lb | 13 lb  | 3835 | 1,566.00    |
| T408-5,000-SS | 5,000 lb | 13 lb  | 3836 | 1,566.00    |



### Dimensions in inches

| Capacity | A    | B    | C    | D    | E    | F    | H    | I    | J    |
|----------|------|------|------|------|------|------|------|------|------|
| 250-5K   | 4.00 | 5.00 | 4.00 | 5.00 | 4.00 | 0.50 | 3.50 | 0.50 | 0.44 |

Prices are subject to change without notice. Please call for current prices.

Other items are available from the manufacturers, please call for quote.

# Tank

## TCM Totalcomp, tank canister mount assembly

This tank mount assembly uses a hermetically sealed canister load cell with two attached mounting plates. The lower plate is rigidly mounted to the load cell and the top plate allows horizontal expansion but does not allow the top plate to separate from the load cell. 2 mv/v, 350/350 ohms, 30 ft 4 wire cable, **stainless steel** load cell and mounting plates, IP67.

| Part Number                    | Capacity   | Weight | SKU  | List        |
|--------------------------------|------------|--------|------|-------------|
| <b>5" x 5" mounting plates</b> |            |        |      |             |
| TCM7-1K-SS                     | 1,000 lb   | 20 lb  | 2611 | \$ 1,544.83 |
| TCM7-2K-SS                     | 2,000 lb   | 20 lb  | 2612 | 1,544.83    |
| TCM7-5K-SS                     | 5,000 lb   | 20 lb  | 2613 | 1,544.83    |
| <b>8" x 8" mounting plates</b> |            |        |      |             |
| TCM8-10K-SS                    | 10,000 lb  | 41 lb  | 2614 | 1,664.50    |
| TCM8-20K-SS                    | 20,000 lb  | 41 lb  | 2615 | 1,664.50    |
| TCM8-25K-SS                    | 25,000 lb  | 41 lb  | 2616 | 1,664.50    |
| TCM8-50K-SS                    | 50,000 lb  | 44 lb  | 2617 | 1,664.50    |
| TCM8-100K-SS                   | 100,000 lb | 50 lb  | 2825 | 1,780.00    |
| TCM8-150K-SS                   | 150,000 lb | 60 lb  | 2826 | 2,242.00    |
| TCM8-200K-SS                   | 200,000 lb | 60 lb  | 2827 | 2,242.00    |
| TCM8-250K-SS                   | 250,000 lb | 60 lb  | 4475 | 2,242.00    |
| <b>Replacement load cells</b>  |            |        |      |             |
| TC78-1K-SS                     | 1,000 lb   | 6 lb   | 2618 | 1,039.50    |
| TC78-2K-SS                     | 2,000 lb   | 6 lb   | 2619 | 1,039.50    |
| TC78-5K-SS                     | 5,000 lb   | 6 lb   | 2620 | 1,039.50    |
| TC78-10K-SS                    | 10,000 lb  | 6 lb   | 2621 | 1,039.50    |
| TC78-20K-SS                    | 20,000 lb  | 6 lb   | 2622 | 1,039.50    |
| TC78-25K-SS                    | 25,000 lb  | 6 lb   | 2623 | 1,039.50    |
| TC78-50K-SS                    | 50,000 lb  | 6 lb   | 2624 | 1,039.50    |
| TC78-100K-SS                   | 100,000 lb | 13 lb  | 2829 | 1,155.00    |
| TC78-150K-SS                   | 150,000 lb | 29 lb  | 2830 | 1,617.00    |
| TC78-200K-SS                   | 200,000 lb | 29 lb  | 2831 | 1,617.00    |
| TC78-250K-SS                   | 250,000 lb | 29 lb  | 4476 | 1,617.00    |

### Dimensions in inches

| Capacity  | A    | B    | C    | D    | E    | F    | G    | H    | I    | J    |
|-----------|------|------|------|------|------|------|------|------|------|------|
| 1K-5K     | 5.25 | 5.00 | 3.50 | 5.00 | 3.50 | 1.00 | 1.25 | 3.00 | 0.35 | 3.25 |
| 10K-50K   | 5.25 | 8.00 | 6.00 | 8.00 | 6.00 | 1.00 | 1.25 | 3.00 | 0.35 | 3.25 |
| 100K      | 7.00 | 8.00 | 6.00 | 8.00 | 6.00 | 1.00 | 2.31 | 4.00 | 0.55 | 5.00 |
| 150K-250K | 9.25 | 8.00 | 6.00 | 8.00 | 6.00 | 1.00 | 3.00 | 6.00 | 1.10 | 7.25 |

### Dimensions in inches

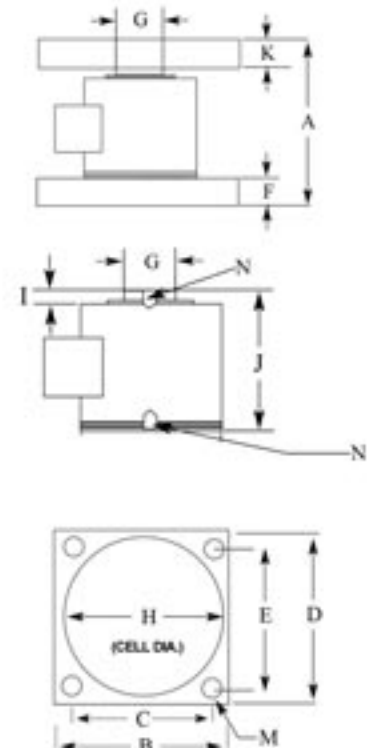
| Capacity  | K    | M     | N          |
|-----------|------|-------|------------|
| 1K-5K     | 1.00 | 0.560 | 1/2-20 UNF |
| 10K-50K   | 1.00 | 0.560 | 1/2-20 UNF |
| 100K      | 1.00 | 0.560 | 1/2-20 UNF |
| 150K-250K | 1.00 | 0.625 | 1/2-20 UNF |



TCM8



TC78



Prices are subject to change without notice. Please call for current prices.

Other items are available from the manufacturers, please call for quote.

13-01 Pollitt Dr Ext  
Fair Lawn NJ 07410  
201-797-2718

**Totalcomp**  
Components

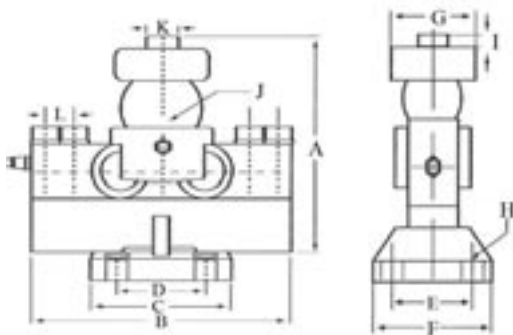
www.totalcomp.com  
sales@totalcomp.com  
Fax 201-797-2287

# Tank

Tank



**THWM**  
Weigh Module



## THWM Totalcomp, weigh module

Alloy steel with a hermetically sealed welded covers.  
2 mv/v, 700/700 ohms, 40 ft 4 wire cable, nickel plated, IP68.

| Part Number             | Nominal | Capacity   | Weight | SKU  | List      |
|-------------------------|---------|------------|--------|------|-----------|
| THWM 10t weigh module   | 10 t    | 20,000 lb  | 38 lb  | 7231 | \$ 545.00 |
| THWM 20t weigh module   | 20 t    | 40,000 lb  | 38 lb  | 7232 | 545.00    |
| THWM 30t weigh module   | 30 t    | 60,000 lb  | 38 lb  | 7233 | 545.00    |
| THWM 40tse weigh module | 40 t    | 80,000 lb  | 38 lb  | 7234 | 545.00    |
| THWM 40t weigh module   | 40 t    | 80,000 lb  | 38 lb  | 7235 | 980.00    |
| THWM 50t weigh module   | 50 t    | 100,000 lb | 38 lb  | 7236 | 980.00    |

### Dimensions in inches

| Capacity | A     | B     | C    | D    | E    | F    | G    | H    | I    |
|----------|-------|-------|------|------|------|------|------|------|------|
| 10t      | 7.68  | 9.45  | 4.92 | 3.15 | 3.94 | 5.31 | 3.46 | 0.71 | 0.43 |
| 20-40tse | 8.86  | 9.45  | 4.92 | 3.15 | 3.94 | 5.31 | 3.46 | 0.71 | 0.43 |
| 40t, 50t | 10.28 | 13.39 | 6.30 | 4.92 | 4.92 | 6.30 | 3.78 | 0.87 | 0.43 |



**363TSM1**  
Weigh Module

## 363TSM1 Anyload, weigh module

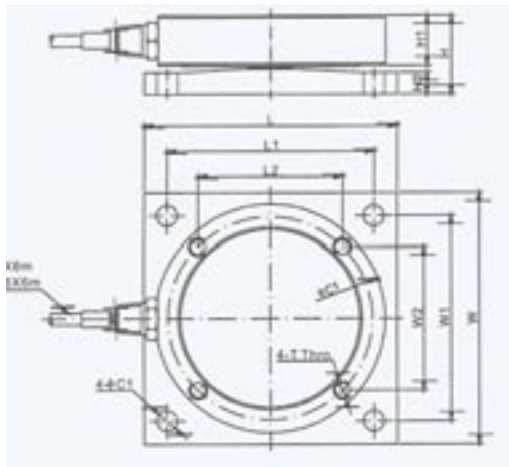
Low profile design. **Stainless steel** with hermetically sealed construction.  
3 mv/v, 700/700 ohms, 6m 4 wire cable, **stainless steel**, IP68/IP69

| Part Number                 | Capacity   | Weight | SKU  | List      |
|-----------------------------|------------|--------|------|-----------|
| 363TSM1-1Klb weigh module   | 1,000 lb   | 4 lb   | 2832 | \$ 896.00 |
| 363TSM1-2.5Klb weigh module | 2,500 lb   | 4 lb   | 2833 | 896.00    |
| 363TSM1-5Klb weigh module   | 5,000 lb   | 8 lb   | 2834 | 932.00    |
| 363TSM1-10Klb weigh module  | 10,000 lb  | 8 lb   | 2835 | 932.00    |
| 363TSM1-25Klb weigh module  | 25,000 lb  | 16 lb  | 2836 | 1,516.00  |
| 363TSM1-50Klb weigh module  | 50,000 lb  | 16 lb  | 2837 | 1,667.00  |
| 363TSM1-100Klb weigh module | 100,000 lb | 55 lb  | 2838 | 2,987.00  |
| 363TSM1-200Klb weigh module | 200,000 lb | 95 lb  | 2839 | 5,344.00  |

### Dimensions in inches

| Capacity | C    | C1   | H    | H1   | H2   | L     | L1   | L2   | W     |
|----------|------|------|------|------|------|-------|------|------|-------|
| 1K, 2.5K | 3.94 | 0.35 | 1.02 | 0.65 | 0.26 | 4.33  | 3.54 | 2.48 | 4.33  |
| 5K, 10K  | 4.72 | 0.35 | 1.40 | 0.93 | 0.33 | 5.12  | 4.33 | 3.00 | 5.12  |
| 25K, 50K | 5.75 | 0.53 | 2.09 | 1.38 | 0.55 | 6.22  | 4.92 | 3.51 | 6.22  |
| 100K     | 8.43 | 0.83 | 3.07 | 1.97 | 0.83 | 9.84  | 8.11 | 4.98 | 9.84  |
| 200K     | 9.84 | 1.06 | 3.82 | 2.32 | 1.14 | 11.22 | 8.86 | 5.76 | 11.22 |

| Capacity | W1   | W2   | T          |
|----------|------|------|------------|
| 1K, 2.5K | 3.54 | 2.48 | 5/16-18UNC |
| 5K, 10K  | 4.33 | 3.00 | 3/8-16UNC  |
| 25K, 50K | 4.92 | 3.51 | 1/2-20UNF  |
| 100K     | 8.11 | 4.98 | 3/4-16UNF  |
| 200K     | 8.86 | 5.76 | 1-14UNS    |



Capacity < 10Klb/5t : Cable #5.1X6m  
Capacity >= 25Klb/12t : Cable #7.6X6m

Prices are subject to change without notice. Please call for current prices.

Other items are available from the manufacturers, please call for quote.

# Tank

## RLC & Weighing Assembly Revere

Hermetically sealed **stainless steel** cell and stainless steel weighing assembly.

Ring Torsion load cell

2 mv/v, 1115/1025 ohms, 3m 4 wire cable 250kg to 1t, 5m 4 wire cable 2t to 10t, **stainless steel**, IP67

| Part Number      | Capacity | Weight | SKU  | List        |
|------------------|----------|--------|------|-------------|
| 43S-RLC-250kg-D3 | 250 kg   | 16 lb  | 4119 | \$ 1,264.45 |
| 43S-RLC-500kg-A5 | 500 kg   | 16 lb  | 4120 | 1,314.61    |
| 43S-RLC-1t-A5    | 1,000 kg | 16 lb  | 4121 | 1,314.61    |
| 43S-RLC-2t-A5    | 2,000 kg | 18 lb  | 4122 | 1,366.86    |
| 43S-RLC-3.5t-A5  | 3,500 kg | 18 lb  | 4123 | 1,414.93    |
| 43S-RLC-5t-A5    | 5,000 kg | 18 lb  | 4124 | 1,414.93    |



Tank

RLC  
w/ Weighing Assembly

## RLC Revere Transducers, load cell only

Hermetically sealed **stainless steel** cell

2 mv/v, 0.02% combined error, 1115/1025 ohms, 3m 4 wire cable 250kg to 1t, 5m 4 wire cable 2t to 10t, **stainless steel**.

NTEP Legal for Trade 97-082

| Part Number         | Capacity  | Weight | SKU  | List      |
|---------------------|-----------|--------|------|-----------|
| RLC-D3-250kg-3MP1 * | 250 kg    | 2 lb   | 4126 | \$ 770.17 |
| RLC-B10-500kg-3MP1  | 500 kg    | 2 lb   | 4127 | 770.17    |
| RLC-B10-1t-3MP1     | 1,000 kg  | 2 lb   | 4128 | 770.17    |
| RLC-A5-2t-5MP1      | 2,000 kg  | 3 lb   | 4129 | 770.17    |
| RLC-A5-3.5t-5MP1    | 3,500 kg  | 3 lb   | 4130 | 770.17    |
| RLC-A5-5t-5MP1      | 5,000 kg  | 3 lb   | 4131 | 770.17    |
| RLC-D3-10t-5MP1 *   | 10,000 kg | 3 lb   | 4132 | 888.25    |

\* Not NTEP

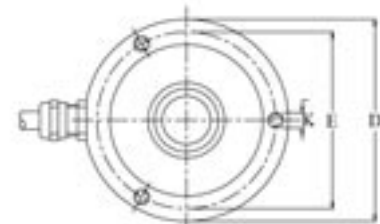
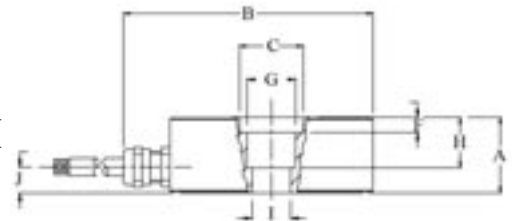


RLC



## Dimensions in inches

| Capacity | A  | B     | C    | D  | E  | F    | G    | H    | I     | J    |
|----------|----|-------|------|----|----|------|------|------|-------|------|
| 250-1kg  | 25 | 97.5  | 25   | 80 | 70 | 1.0  | 19.0 | 15.0 | M10   | 9.5  |
| 2-5kg    | 30 | 97.5  | 25   | 80 | 70 | 6.0  | 19.0 | 20.0 | 15 H7 | 8.5  |
| 10kg     | 35 | 112.5 | ---- | 95 | 83 | ---- | 29.1 | 14.8 | 24.9  | 10.0 |



Prices are subject to change without notice. Please call for current prices.

Other items are available from the manufacturers, please call for quote.

13-01 Pollitt Dr Ext  
Fair Lawn NJ 07410  
201-797-2718

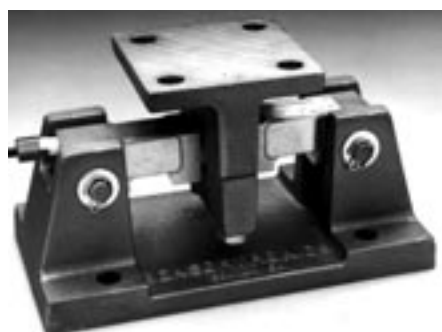
**Totalcomp**  
Components

www.totalcomp.com  
sales@totalcomp.com  
Fax 201-797-2287

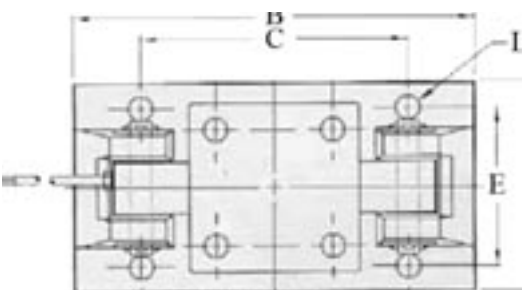
# Tank



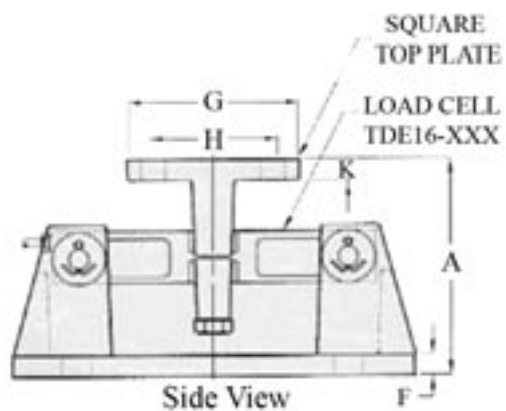
665016  
Beam only



65016  
w/ mounting assembly



Top View



Side View

## Tank weighing assembly needs (1) load cell and (1) mount

### 65016 Scentroid, beam only

3 mv/v, 700 ohms, 25 ft 4 wire cable, nickel plated steel, IP67.

| Part Number | Capacity  | Weight | SKU  | List      |
|-------------|-----------|--------|------|-----------|
| 65016-1K    | 1,000 lb  | 4 lb   | 314  | \$ 559.49 |
| 65016-1.5K  | 1,500 lb  | 4 lb   | 925  | 560.75    |
| 65016-2K    | 2,000 lb  | 4 lb   | 315  | 571.66    |
| 65016-2.5K  | 2,500 lb  | 4 lb   | 316  | 571.66    |
| 65016-5K    | 5,000 lb  | 4 lb   | 317  | 536.50    |
| 65016-10K   | 10,000 lb | 8 lb   | 318  | 639.04    |
| 65016-15K   | 15,000 lb | 8 lb   | 319  | 639.04    |
| 65016-20K   | 20,000 lb | 8 lb   | 328  | 639.04    |
| 65016-25K   | 25,000 lb | 8 lb   | 320  | 573.83    |
| 65016-35K   | 35,000 lb | 16 lb  | 2866 | 891.18    |
| 65016-50K   | 50,000 lb | 25 lb  | 321  | 1,008.55  |
| 65016-75K   | 75,000 lb | 25 lb  | 538  | 1,008.55  |

### Dimensions in inches

| Capacity | A     | B    | C    | D     | E    | F     | G    |
|----------|-------|------|------|-------|------|-------|------|
| 1-5K     | 7.50  | 1.22 | 1.22 | 6.25  | 1.12 | 1.25  | 1.22 |
| 10-25K   | 8.75  | 1.44 | 1.94 | 7.50  | 1.62 | 1.99  | 1.44 |
| 35K      | 8.75  | 1.44 | 2.44 | 7.50  | 1.62 | 2.50  | 1.44 |
| 50K      | 13.50 | 2.44 | 2.94 | 11.50 | 3.25 | 2.99  | 1.31 |
| 75K      | 13.50 | 2.44 | 2.94 | 11.50 | 3.25 | ----- | 1.31 |

### 1605 Scentroid, tank weighing assembly only

Mounting is cast ductile iron with baked on aluminized coating.

| Part Number | Capacity           | Weight | SKU  | List      |
|-------------|--------------------|--------|------|-----------|
| 1605        | 1,000 - 5,000 lb   | 18 lb  | 878  | \$ 370.98 |
| 1625        | 10,000 - 25,000 lb | 63 lb  | 879  | 536.09    |
| 1625-0112   | 35,000 lb          | 63 lb  | 2473 | 737.77    |
| 1650        | 50,000 - 60,000 lb | 140 lb | 880  | 1,085.76  |
| 1675        | 75,000 lb          | 140 lb | 104  | 1,085.76  |

### Dimensions in inches

| Capacity  | A     | B     | C     | D  | E     | F    | G  | H    | K    | L    |
|-----------|-------|-------|-------|----|-------|------|----|------|------|------|
| 1K-5K     | 5.13  | 9.35  | 6.25  | 5  | 3.75  | 0.50 | 4  | 2.75 | 0.50 | 0.56 |
| 10K-35K   | 7.90  | 12.00 | 7.50  | 8  | 6.00  | 0.75 | 8  | 6.00 | 0.75 | 0.78 |
| 50K-75K   | 9.30  | 16.25 | 11.50 | 12 | 9.50  | 1.00 | 9  | 6.50 | 1.00 | 0.78 |
| 100K-200K | 11.75 | 23.50 | 20.00 | 14 | 12.00 | 1.50 | 10 | 8.00 | 1.50 | 1.12 |

Prices are subject to change without notice. Please call for current prices.

Other items are available from the manufacturers, please call for quote.

# Tank

## Tank weighing assembly needs (1) load cell and (1) mount

### 65016W-SS Sensortronics, beam only

3 mv/v, 700 ohms, 25 ft 4 wire cable, stainless steel, IP67.

| Part Number     | Capacity  | Weight | SKU  | List      |
|-----------------|-----------|--------|------|-----------|
| 65016-1K-W-SS   | 1,000 lb  | 4 lb   | 938  | \$ 704.25 |
| 65016-1.5K-W-SS | 1,500 lb  | 4 lb   | 939  | 695.55    |
| 65016-2K-W-SS   | 2,000 lb  | 4 lb   | 940  | 704.25    |
| 65016-2.5K-W-SS | 2,500 lb  | 4 lb   | 941  | 704.25    |
| 65016-5K-W-SS   | 5,000 lb  | 4 lb   | 942  | 704.25    |
| 65016-10K-W-SS  | 10,000 lb | 8 lb   | 943  | 716.41    |
| 65016-15K-W-SS  | 15,000 lb | 8 lb   | 944  | 717.29    |
| 65016-20K-W-SS  | 20,000 lb | 8 lb   | 945  | 717.29    |
| 65016-25K-W-SS  | 25,000 lb | 8 lb   | 946  | 717.29    |
| 65016-35K-W-SS  | 35,000 lb | 16 lb  | 2862 | 1,173.74  |
| 65016-50K-W-SS  | 50,000 lb | 25 lb  | 947  | 1,421.53  |
| 65016-75K-W-SS  | 75,000 lb | 25 lb  | 948  | 1,421.53  |

### Dimensions in inches

| Capacity | A     | B    | C    | D     | E    | F     | G    |
|----------|-------|------|------|-------|------|-------|------|
| 1-5K     | 7.50  | 1.22 | 1.22 | 6.25  | 1.12 | 1.25  | 1.22 |
| 10-25K   | 8.75  | 1.44 | 1.94 | 7.50  | 1.62 | 1.99  | 1.44 |
| 35K      | 8.75  | 1.44 | 2.44 | 7.50  | 1.62 | 2.50  | 1.44 |
| 50K      | 13.50 | 2.44 | 2.94 | 11.50 | 3.25 | 2.99  | 1.31 |
| 75K      | 13.50 | 2.44 | 2.94 | 11.50 | 3.25 | ----- | 1.31 |

### 1605-SS Sensortronics, mounting assembly only

Mounting assembly is cast stainless steel. These mounts are cast with 17-4 PH stainless steel and are prone to surface blemishes and discoloration. They are not suitable for food, medical or pharmaceutical applications.

| Part Number  | Capacity           | Weight | SKU  | List      |
|--------------|--------------------|--------|------|-----------|
| 1605-SS      | 1,000 - 5,000 lb   | 17 lb  | 1385 | \$ 501.60 |
| 1625-SS      | 10,000 - 25,000 lb | 56 lb  | 1386 | 997.98    |
| 1625-0104-SS | 35,000 lb          | 56 lb  | 1717 | 1,348.05  |
| 1650-SS      | 50,000 - 60,000 lb | 130 lb | 1387 | 2,711.00  |
| 1675-SS      | 75,000 lb          | 130 lb | 1496 | 2,711.00  |

### Dimensions in inches

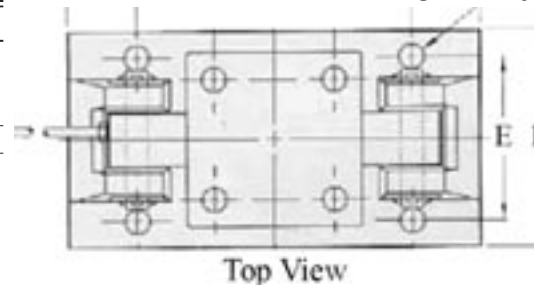
| Capacity  | A     | B     | C     | D  | E     | F    | G  | H    | K    | L    |
|-----------|-------|-------|-------|----|-------|------|----|------|------|------|
| 1K-5K     | 5.13  | 9.35  | 6.25  | 5  | 3.75  | 0.50 | 4  | 2.75 | 0.50 | 0.56 |
| 10K-35K   | 7.90  | 12.00 | 7.50  | 8  | 6.00  | 0.75 | 8  | 6.00 | 0.75 | 0.78 |
| 50K-75K   | 9.30  | 16.25 | 11.50 | 12 | 9.50  | 1.00 | 9  | 6.50 | 1.00 | 0.78 |
| 100K-200K | 11.75 | 23.50 | 20.00 | 14 | 12.00 | 1.50 | 10 | 8.00 | 1.50 | 1.12 |



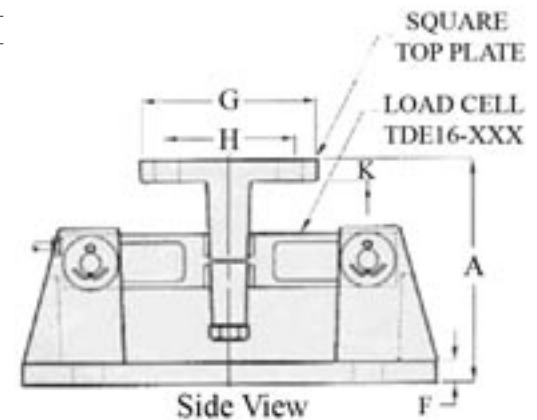
65016W-SS  
Beam only



1605-SS  
w/ mounting assembly



Top View



Side View

Prices are subject to change without notice. Please call for current prices.

Other items are available from the manufacturers, please call for quote.

13-01 Pollitt Dr Ext  
Fair Lawn NJ 07410  
201-797-2718

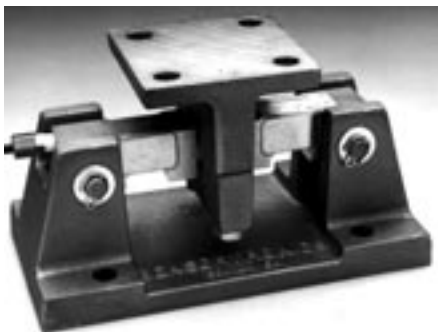
**Totalcomp**  
Components

www.totalcomp.com  
sales@totalcomp.com  
Fax 201-797-2287

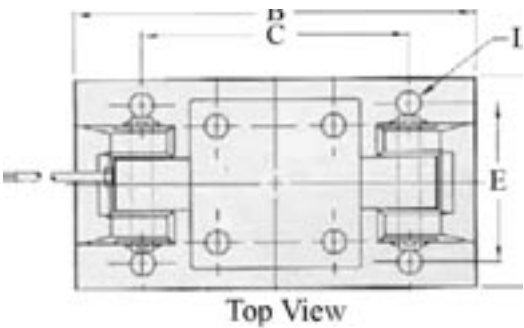
# Tank



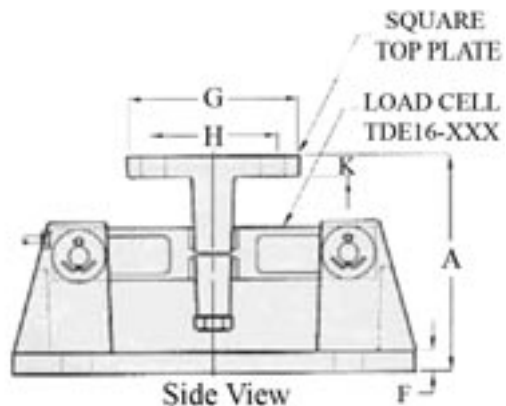
**65016WG-SS**  
Beam only



**65016**  
w/ mounting assembly



Top View



Side View

## Tank weighing assembly needs (1) load cell and (1) mount

### 65016WH-SS Sensortronics, beam only

Welded hermetically sealed.  
3 mv/v, 700 ohms, 25 ft 4 wire cable, **stainless steel**, IP68.

| Part Number      | Capacity  | Weight | SKU  | List      |
|------------------|-----------|--------|------|-----------|
| 65016-1K-WH-SS   | 1,000 lb  | 4 lb   | 5434 | \$ 843.36 |
| 65016-1.5K-WH-SS | 1,500 lb  | 4 lb   | 5435 | 843.36    |
| 65016-2K-WH-SS   | 2,000 lb  | 4 lb   | 5436 | 843.36    |
| 65016-2.5K-WH-SS | 2,500 lb  | 4 lb   | 5437 | 843.36    |
| 65016-5K-WH-SS   | 5,000 lb  | 4 lb   | 5439 | 843.36    |
| 65016-10K-WH-SS  | 10,000 lb | 8 lb   | 5440 | 945.52    |
| 65016-15K-WH-SS  | 15,000 lb | 8 lb   | 5441 | 945.52    |
| 65016-20K-WH-SS  | 20,000 lb | 8 lb   | 5442 | 945.52    |
| 65016-25K-WH-SS  | 25,000 lb | 8 lb   | 5443 | 945.52    |

### Dimensions in inches

| Capacity | A     | B    | C    | D     | E    | F    | G    |
|----------|-------|------|------|-------|------|------|------|
| 1-5K     | 7.50  | 1.22 | 1.22 | 6.25  | 1.12 | 1.25 | 1.22 |
| 10-25K   | 8.75  | 1.44 | 1.94 | 7.50  | 1.62 | 1.99 | 1.44 |
| 35K      | 8.75  | 1.44 | 2.44 | 7.50  | 1.62 | 2.50 | 1.44 |
| 50K      | 13.50 | 2.44 | 2.94 | 11.50 | 3.25 | 2.99 | 1.31 |
| 75K      | 13.50 | 2.44 | 2.94 | 11.50 | 3.25 | ---- | 1.31 |

### 1605-SS Sensortronics, mounting assembly only

Mounting assembly is cast **stainless steel**. These mounts are cast with 17-4 PH stainless steel and are prone to surface blemishes and discoloration. They are not suitable for food, medical or pharmaceutical applications.

| Part Number  | Capacity           | Weight | SKU  | List      |
|--------------|--------------------|--------|------|-----------|
| 1605-SS      | 1,000 - 5,000 lb   | 17 lb  | 1385 | \$ 501.60 |
| 1625-SS      | 10,000 - 25,000 lb | 56 lb  | 1386 | 997.98    |
| 1625-0104-SS | 35,000 lb          | 56 lb  | 1717 | 1,348.05  |
| 1650-SS      | 50,000 - 60,000 lb | 130 lb | 1387 | 2,711.78  |
| 1675-SS      | 75,000 lb          | 130 lb | 1496 | 2,711.78  |

### Dimensions in inches

| Capacity  | A     | B     | C     | D  | E     | F    | G  | H    | K    | L    |
|-----------|-------|-------|-------|----|-------|------|----|------|------|------|
| 1K-5K     | 5.13  | 9.35  | 6.25  | 5  | 3.75  | 0.50 | 4  | 2.75 | 0.50 | 0.56 |
| 10K-35K   | 7.90  | 12.00 | 7.50  | 8  | 6.00  | 0.75 | 8  | 6.00 | 0.75 | 0.78 |
| 50K-75K   | 9.30  | 16.25 | 11.50 | 12 | 9.50  | 1.00 | 9  | 6.50 | 1.00 | 0.78 |
| 100K-200K | 11.75 | 23.50 | 20.00 | 14 | 12.00 | 1.50 | 10 | 8.00 | 1.50 | 1.12 |

Prices are subject to change without notice. Please call for current prices.

Other items are available from the manufacturers, please call for quote.



# Tank

## Tank weighing assembly needs (1) load cell and (1) mount

### CG-16-SSW Coti Global

Interchangeable with Sensortronics 65016-SS with welded hermetic seal.  
3mv/v, 700/700 ohm,  
1K-5K 50 ft 4 wire cable, 10K-75K 50 ft braided shield cable, welded seal, **stainless steel**, IP67.

| Part Number    | Capacity  | Weight | SKU  | List      |
|----------------|-----------|--------|------|-----------|
| CG-16-1K-SSW   | 1,000 lb  | 4 lb   | 8033 | \$ 537.08 |
| CG-16-1.5K-SSW | 1,500 lb  | 4 lb   | 8034 | 537.08    |
| CG-16-2K-SSW   | 2,000 lb  | 4 lb   | 8035 | 537.08    |
| CG-16-2.5K-SSW | 2,500 lb  | 4 lb   | 8036 | 537.08    |
| CG-16-3K-SSW   | 3,000 lb  | 4 lb   | 8037 | 537.08    |
| CG-16-5K-SSW   | 5,000 lb  | 4 lb   | 8038 | 537.08    |
| CG-16-10K-SSW  | 10,000 lb | 7 lb   | 8039 | 611.00    |
| CG-16-15K-SSW  | 15,000 lb | 7 lb   | 8040 | 611.00    |
| CG-16-20K-SSW  | 20,000 lb | 7 lb   | 8041 | 611.00    |
| CG-16-25K-SSW  | 25,000 lb | 7 lb   | 8042 | 611.00    |
| CG-16-35K-SSW  | 35,000 lb | 7 lb   | 8043 | 693.00    |
| CG-16-50K-SSW  | 50,000 lb | 25 lb  | 8044 | 1,386.00  |
| CG-16-75K-SSW  | 75,000 lb | 25 lb  | 8045 | 1,386.00  |

#### Dimensions in inches

| Capacity | A     | B    | C    | D     | E    | F    | G    | H     | I     |
|----------|-------|------|------|-------|------|------|------|-------|-------|
| 1K-5K    | 7.50  | 1.25 | 1.25 | 6.25  | 0.62 | 1.15 | 0.50 | 1.25  | ----- |
| 10K-25K  | 8.75  | 1.94 | 1.44 | 7.50  | 0.62 | 2.00 | 0.81 | 2.00  | ----- |
| 35K      | 8.75  | 2.50 | 1.50 | 7.50  | 0.62 | 2.00 | 0.81 | 2.50  | ----- |
| 50K      | 13.50 | 2.94 | 2.44 | 11.50 | 1.00 | 3.20 | 1.31 | 3.00  | ----- |
| 75K      | 13.50 | 2.94 | 2.44 | 11.50 | 1.00 | 3.20 | 1.31 | ----- | 0.17  |

### 1605-SS Sensortronics, mounting assembly only

Mounting assembly is cast **stainless steel**. These mounts are cast with 17-4 PH stainless steel and are prone to surface blemishes and discoloration. They are not suitable for food, medical or pharmaceutical applications.

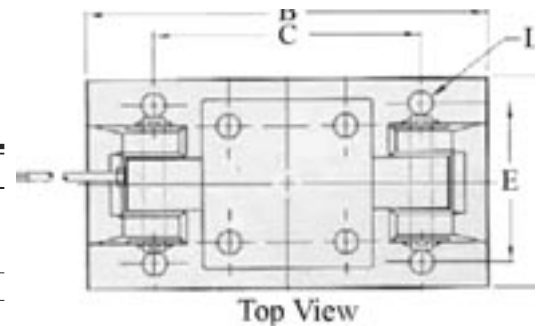
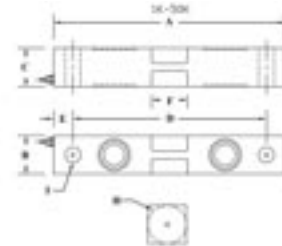
| Part Number  | Capacity           | Weight | SKU  | List      |
|--------------|--------------------|--------|------|-----------|
| 1605-SS      | 1,000 - 5,000 lb   | 17 lb  | 1385 | \$ 501.60 |
| 1625-SS      | 10,000 - 25,000 lb | 56 lb  | 1386 | 997.98    |
| 1625-0104-SS | 35,000 lb          | 56 lb  | 1717 | 1,348.05  |
| 1650-SS      | 50,000 - 60,000 lb | 130 lb | 1387 | 2,711.78  |
| 1675-SS      | 75,000 lb          | 130 lb | 1496 | 2,711.78  |

#### Dimensions in inches

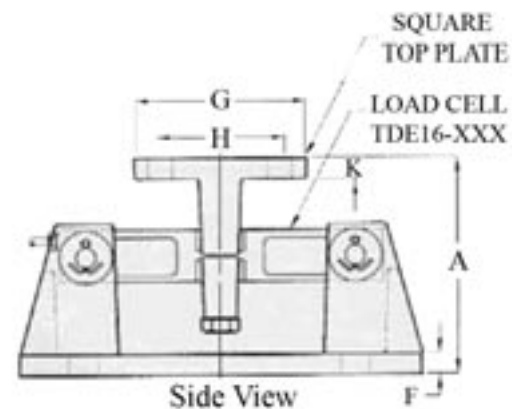
| Capacity  | A     | B     | C     | D  | E     | F    | G  | H    | K    | L    |
|-----------|-------|-------|-------|----|-------|------|----|------|------|------|
| 1K-5K     | 5.13  | 9.35  | 6.25  | 5  | 3.75  | 0.50 | 4  | 2.75 | 0.50 | 0.56 |
| 10K-35K   | 7.90  | 12.00 | 7.50  | 8  | 6.00  | 0.75 | 8  | 6.00 | 0.75 | 0.78 |
| 50K-75K   | 9.30  | 16.25 | 11.50 | 12 | 9.50  | 1.00 | 9  | 6.50 | 1.00 | 0.78 |
| 100K-200K | 11.75 | 23.50 | 20.00 | 14 | 12.00 | 1.50 | 10 | 8.00 | 1.50 | 1.12 |



CG-16 SSW



Top View



Side View

Prices are subject to change without notice. Please call for current prices.

Other items are available from the manufacturers, please call for quote.

13-01 Pollitt Dr Ext  
Fair Lawn NJ 07410  
201-797-2718

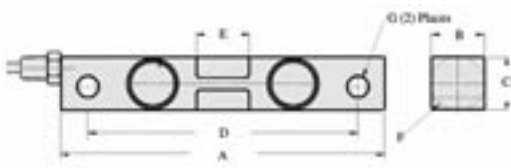
**Totalcomp**  
Components

www.totalcomp.com  
sales@totalcomp.com  
Fax 201-797-2287

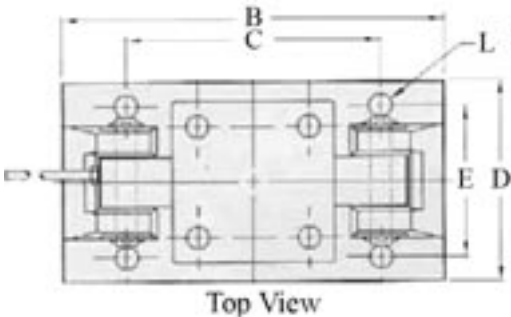
# Tank



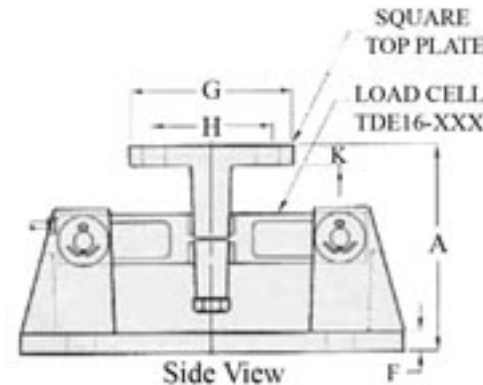
**TDE16**  
Beam only



**TDE-16**  
w/ Tank Mount Assembly



Top View



Side View

## Tank weighing assembly needs (1) load cell and (1) mount

### TDE16 Totalcomp, beam only

Interchangeable with Sensortronics Model 65016.  
3 mv/v, 700/700 ohm, 25 ft 4 wire cable, nickel plated steel, IP67.

| Part Number | Capacity  | Weight | SKU  | List      |
|-------------|-----------|--------|------|-----------|
| TDE16-1K    | 1,000 lb  | 4 lb   | 2359 | \$ 513.98 |
| TDE16-1.5K  | 1,500 lb  | 4 lb   | 2360 | 513.98    |
| TDE16-2K    | 2,000 lb  | 4 lb   | 2361 | 513.98    |
| TDE16-2.5K  | 2,500 lb  | 4 lb   | 2362 | 513.98    |
| TDE16-5K    | 5,000 lb  | 4 lb   | 2364 | 513.98    |
| TDE16-10K   | 10,000 lb | 8 lb   | 2365 | 587.90    |
| TDE16-15K   | 15,000 lb | 8 lb   | 2366 | 587.90    |
| TDE16-20K   | 20,000 lb | 8 lb   | 2367 | 587.90    |
| TDE16-25K   | 25,000 lb | 8 lb   | 2368 | 587.90    |
| TDE16-35K   | 35,000 lb | 16 lb  | 4183 | 947.10    |
| TDE16-50K   | 50,000 lb | 25 lb  | 2369 | 911.30    |
| TDE16-75K   | 75,000 lb | 25 lb  | 2806 | 911.30    |

### Dimensions in inches

| Capacity | A     | B    | C    | D     | E    | F    | G    |
|----------|-------|------|------|-------|------|------|------|
| 1-5K     | 7.50  | 1.22 | 1.22 | 6.25  | 1.12 | 1.25 | 1.22 |
| 10-25K   | 8.75  | 1.44 | 1.94 | 7.50  | 1.62 | 1.99 | 1.44 |
| 35K      | 8.75  | 1.44 | 2.44 | 7.50  | 1.62 | 2.50 | 1.44 |
| 50K      | 13.50 | 2.44 | 2.94 | 11.50 | 3.25 | 2.99 | 1.31 |
| 75K      | 13.50 | 2.44 | 2.94 | 11.50 | 3.25 | ---- | 1.31 |

### TM16 Totalcomp, tank mount assembly only

Welded steel, epoxy painted finish.

| Part Number | Capacity           | Weight | SKU  | List      |
|-------------|--------------------|--------|------|-----------|
| TM16-5      | 1,000 - 5,000 lb   | 17 lb  | 2374 | \$ 216.00 |
| TM16-25     | 10,000 - 25,000 lb | 56 lb  | 2375 | 418.00    |
| TM16-35     | 35,000 lb          | 56 lb  | 4184 | 418.00    |
| TM16-50     | 50,000 lb          | 130 lb | 2376 | 1,407.00  |
| TM16-75     | 75,000 lb          | 130 lb | 2810 | 1,407.00  |

### Dimensions in inches

| Capacity  | A     | B     | C     | D  | E     | F    | G     | H    | I    | J    |
|-----------|-------|-------|-------|----|-------|------|-------|------|------|------|
| 1K-5K     | 5.13  | 9.35  | 6.25  | 5  | 3.75  | 0.50 | 4.00  | 2.75 | 0.50 | 0.56 |
| 10K-35K   | 7.90  | 12.00 | 7.50  | 8  | 6.00  | 0.75 | 8.00  | 6.00 | 0.75 | 0.78 |
| 50K-75K   | 9.30  | 16.25 | 11.50 | 12 | 9.50  | 1.00 | 9.00  | 6.50 | 1.00 | 0.78 |
| 100K-200K | 11.75 | 23.50 | 20.00 | 14 | 12.00 | 1.50 | 10.00 | 8.00 | 1.50 | 1.12 |

Prices are subject to change without notice. Please call for current prices.

Other items are available from the manufacturers, please call for quote.

# Tank

## Tank weighing assembly needs (1) load cell and (1) mount

### TDE16-SS Totalcomp, beam only

Interchangeable with Sensortronics Model 65016.

3 mv/v, 700/700 ohm,

25 ft 4 wire cable 5K-20K, 30 ft 4 wire cable 30K-60K, welded seal, stainless steel, IP67.

| Part Number    | Capacity  | Weight | SKU  | List      |
|----------------|-----------|--------|------|-----------|
| TDE16-1K-SSW   | 1,000 lb  | 4 lb   | 2380 | \$ 537.08 |
| TDE16-1.5K-SSW | 1,500 lb  | 4 lb   | 2381 | 537.08    |
| TDE16-2K-SSW   | 2,000 lb  | 4 lb   | 2382 | 537.08    |
| TDE16-2.5K-SSW | 2,500 lb  | 4 lb   | 2383 | 537.08    |
| TDE16-5K-SSW   | 5,000 lb  | 5 lb   | 2385 | 537.08    |
| TDE16-10K-SSW  | 10,000 lb | 8 lb   | 2386 | 611.00    |
| TDE16-15K-SSW  | 15,000 lb | 8 lb   | 2387 | 611.00    |
| TDE16-20K-SSW  | 20,000 lb | 8 lb   | 2388 | 611.00    |
| TDE16-25K-SSW  | 25,000 lb | 8 lb   | 2389 | 611.00    |
| TDE16-35K-SSW  | 35,000 lb | 16 lb  | 1265 | 693.00    |
| TDE16-50K-SSW  | 50,000 lb | 25 lb  | 2390 | 1,386.00  |
| TDE16-75K-SSW  | 75,000 lb | 25 lb  | 2391 | 1,386.00  |

### Dimensions in inches

| Capacity | A     | B    | C    | D     | E    | F     | G    |
|----------|-------|------|------|-------|------|-------|------|
| 1-5K     | 7.50  | 1.22 | 1.22 | 6.25  | 1.12 | 1.25  | 1.22 |
| 10-25K   | 8.75  | 1.44 | 1.94 | 7.50  | 1.62 | 1.99  | 1.44 |
| 35K      | 8.75  | 1.44 | 2.44 | 7.50  | 1.62 | 2.50  | 1.44 |
| 50K      | 13.50 | 2.44 | 2.94 | 11.50 | 3.25 | 2.99  | 1.31 |
| 75K      | 13.50 | 2.44 | 2.94 | 11.50 | 3.25 | ----- | 1.31 |



TDE16  
Beam only



TDE-16-SS  
w/ Tank Mount Assembly

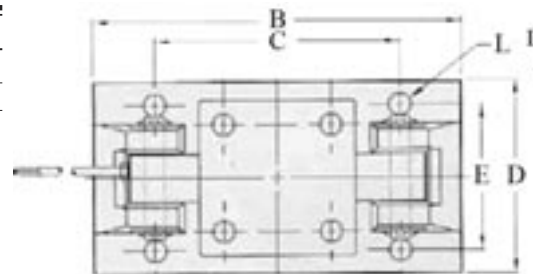
### TM16-SS tank mount assembly only

Welded steel, stainless steel. Suitable for food, medical and pharmaceutical applications.

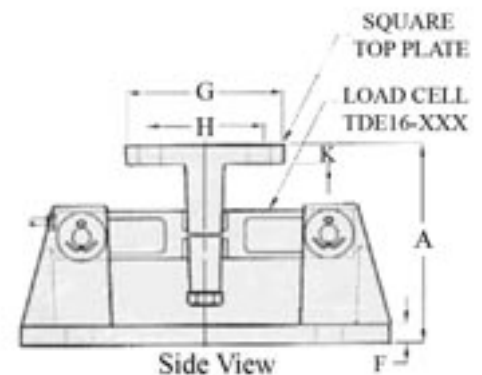
| Part Number | Capacity  | Weight | SKU  | List      |
|-------------|-----------|--------|------|-----------|
| TM16-5-SS   | 5,000 lb  | 17 lb  | 2395 | \$ 815.00 |
| TM16-25-SS  | 25,000 lb | 55 lb  | 2396 | 1,580.00  |
| TM16-35-SS  | 35,000 lb | 55 lb  | 4185 | 1,580.00  |
| TM16-50-SS  | 50,000 lb | 130 lb | 2397 | 3,746.00  |
| TM16-75-SS  | 75,000 lb | 130 lb | 2398 | 3,746.00  |

### Dimensions in inches

| Capacity  | A     | B     | C     | D  | E     | F    | G  | H    | K    | L    |
|-----------|-------|-------|-------|----|-------|------|----|------|------|------|
| 1K-5K     | 5.13  | 9.35  | 6.25  | 5  | 3.75  | 0.50 | 4  | 2.75 | 0.50 | 0.56 |
| 10K-35K   | 7.90  | 12.00 | 7.50  | 8  | 6.00  | 0.75 | 8  | 6.00 | 0.75 | 0.78 |
| 50K-75K   | 9.30  | 16.25 | 11.50 | 12 | 9.50  | 1.00 | 9  | 6.50 | 1.00 | 0.78 |
| 100K-200K | 11.75 | 23.50 | 20.00 | 14 | 12.00 | 1.50 | 10 | 8.00 | 1.50 | 1.12 |



Top View



Side View

Prices are subject to change without notice. Please call for current prices.

Other items are available from the manufacturers, please call for quote.

13-01 Pollitt Dr Ext  
Fair Lawn NJ 07410  
201-797-2718

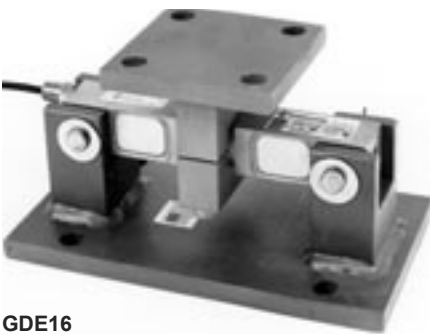
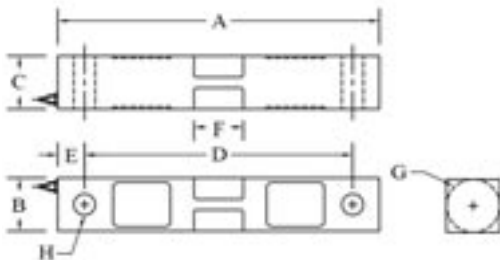
**Totalcomp**  
Components

www.totalcomp.com  
sales@totalcomp.com  
Fax 201-797-2287

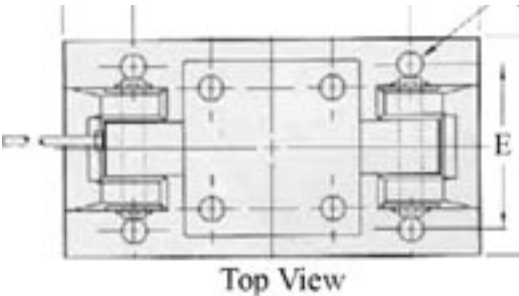
# Tank



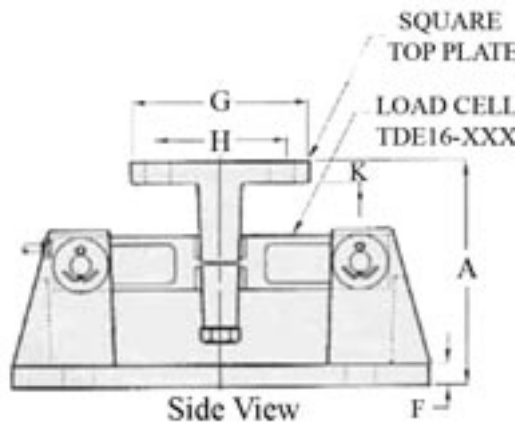
**GDE16**  
Beam only



**GDE16**  
w/ mounting assembly



Top View



Side View

## Tank weighing assembly needs (1) load cell and (1) mount

### GDE16 General Sensor, beam only

3 mv/v, 700 ohms, 25 ft 4 wire cable, nickel plated steel, IP67.

| Part Number | Capacity  | Weight | SKU  | List      |
|-------------|-----------|--------|------|-----------|
| GDE16-1K    | 1,000 lb  | 4 lb   | 4314 | \$ 510.00 |
| GDE16-3K    | 3,000 lb  | 4 lb   | 4318 | 510.00    |
| GDE16-5K    | 5,000 lb  | 4 lb   | 4319 | 510.00    |
| GDE16-10K   | 10,000 lb | 8 lb   | 4320 | 581.00    |
| GDE16-15K   | 15,000 lb | 8 lb   | 4321 | 581.00    |
| GDE16-20K   | 20,000 lb | 8 lb   | 4322 | 581.00    |
| GDE16-25K   | 25,000 lb | 8 lb   | 4323 | 581.00    |
| GDE16-50K   | 50,000 lb | 25 lb  | 4325 | 908.00    |
| GDE16-75K   | 75,000 lb | 25 lb  | 4326 | 908.00    |

### Dimensions in inches

| Capacity | A     | B    | C    | D     | E    | F    | G    | H    |
|----------|-------|------|------|-------|------|------|------|------|
| 1-5K     | 7.50  | 1.25 | 1.25 | 6.25  | 0.62 | 1.15 | 1.25 | 0.50 |
| 10-25K   | 8.75  | 1.94 | 1.44 | 7.50  | 0.62 | 2.00 | 2.00 | 0.81 |
| 35K      | 8.75  | 2.50 | 1.50 | 7.50  | 0.62 | 2.00 | 2.50 | 0.81 |
| 50K      | 13.50 | 2.94 | 2.44 | 11.50 | 1.00 | 3.25 | 3.00 | 1.31 |
| 75K      | 13.50 | 2.94 | 2.44 | 11.50 | 1.00 | 3.25 | ---- | 1.31 |

### TM16 Totalcomp, tank mount assembly only

Welded steel, epoxy painted finish.

| Part Number | Capacity           | Weight | SKU  | List      |
|-------------|--------------------|--------|------|-----------|
| TM16-5      | 1,000 - 5,000 lb   | 17 lb  | 2374 | \$ 216.00 |
| TM16-25     | 10,000 - 25,000 lb | 55 lb  | 2375 | 418.00    |
| TM16-35     | 35,000 lb          | 55 lb  | 4184 | 418.00    |
| TM16-50     | 50,000 lb          | 155 lb | 2376 | 1,407.00  |
| TM16-75     | 75,000 lb          | 155 lb | 2810 | 1,407.00  |

### Dimensions in inches

| Capacity  | A     | B     | C     | D  | E     | F    | G  | H    | K    | L    |
|-----------|-------|-------|-------|----|-------|------|----|------|------|------|
| 1K-5K     | 5.13  | 9.35  | 6.25  | 5  | 3.75  | 0.50 | 4  | 2.75 | 0.50 | 0.56 |
| 10K-35K   | 7.90  | 12.00 | 7.50  | 8  | 6.00  | 0.75 | 8  | 6.00 | 0.75 | 0.78 |
| 50K-75K   | 9.30  | 16.25 | 11.50 | 12 | 9.50  | 1.00 | 9  | 6.50 | 1.00 | 0.78 |
| 100K-200K | 11.75 | 23.50 | 20.00 | 14 | 12.00 | 1.50 | 10 | 8.00 | 1.50 | 1.12 |

# Tank

## Tank weighing assembly needs (1) load cell and (1) mount

### GDE16-SSW General Sensor, beam only

Interchangeable with Sensortronics 65016-SS with welded hermetic seal.  
3mv/v, 700/700 ohm, 1K-5K 50 ft 4 wire cable, 10K-75K 50 ft braided shield cable, **stainless steel**, IP67.

| Part Number    | Capacity  | Weight | SKU  | List      |
|----------------|-----------|--------|------|-----------|
| GDE16-1K-SSW   | 1,000 lb  | 4 lb   | 6946 | \$ 537.08 |
| GDE16-2K-SSW   | 2,000 lb  | 4 lb   | 6947 | 537.08    |
| GDE16-2.5K-SSW | 2,500 lb  | 4 lb   | 6948 | 537.08    |
| GDE16-5K-SSW   | 5,000 lb  | 4 lb   | 6949 | 537.08    |
| GDE16-10K-SSW  | 10,000 lb | 8 lb   | 6950 | 611.00    |
| GDE16-15K-SSW  | 15,000 lb | 8 lb   | 6951 | 611.00    |
| GDE16-20K-SSW  | 20,000 lb | 8 lb   | 6952 | 611.00    |
| GDE16-25K-SSW  | 25,000 lb | 8 lb   | 6953 | 611.00    |
| GDE16-35K-SSW  | 35,000 lb | 16 lb  | 6954 | 693.00    |
| GDE16-50K-SSW  | 50,000 lb | 25 lb  | 6955 | 1,386.00  |
| GDE16-75K-SSW  | 75,000 lb | 25 lb  | 6956 | 1,386.00  |



GDE16-SSW



### Dimensions in inches

| Capacity | A     | B    | C    | D     | E    | F     | G    |
|----------|-------|------|------|-------|------|-------|------|
| 1-5K     | 7.50  | 1.22 | 1.22 | 6.25  | 1.12 | 1.25  | 1.22 |
| 10-25K   | 8.75  | 1.44 | 1.94 | 7.50  | 1.62 | 1.99  | 1.44 |
| 35K      | 8.75  | 1.44 | 2.44 | 7.50  | 1.62 | 2.50  | 1.44 |
| 50K      | 13.50 | 2.44 | 2.94 | 11.50 | 3.25 | 2.99  | 1.31 |
| 75K      | 13.50 | 2.44 | 2.94 | 11.50 | 3.25 | ----- | 1.31 |



TDE-16-SS  
w/ Tank Mount Assembly

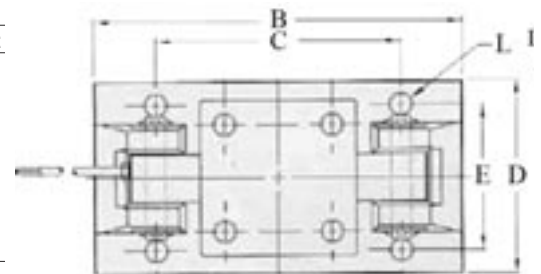
### TM16-SS tank mount assembly only

Welded steel, **stainless steel**. Suitable for food, medical and pharmaceutical applications.

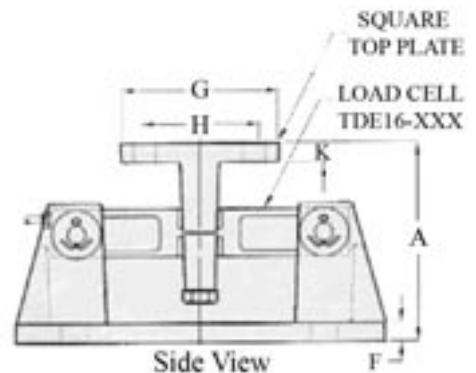
| Part Number | Capacity  | Weight | SKU  | List      |
|-------------|-----------|--------|------|-----------|
| TM16-5-SS   | 5,000 lb  | 17 lb  | 2395 | \$ 815.00 |
| TM16-25-SS  | 25,000 lb | 55 lb  | 2396 | 1,580.00  |
| TM16-35-SS  | 35,000 lb | 55 lb  | 4185 | 1,580.00  |
| TM16-50-SS  | 50,000 lb | 130 lb | 2397 | 3,746.00  |
| TM16-75-SS  | 75,000 lb | 130 lb | 2398 | 3,746.00  |

### Dimensions in inches

| Capacity  | A     | B     | C     | D  | E     | F    | G  | H    | K    | L    |
|-----------|-------|-------|-------|----|-------|------|----|------|------|------|
| 1K-5K     | 5.13  | 9.35  | 6.25  | 5  | 3.75  | 0.50 | 4  | 2.75 | 0.50 | 0.56 |
| 10K-35K   | 7.90  | 12.00 | 7.50  | 8  | 6.00  | 0.75 | 8  | 6.00 | 0.75 | 0.78 |
| 50K-75K   | 9.30  | 16.25 | 11.50 | 12 | 9.50  | 1.00 | 9  | 6.50 | 1.00 | 0.78 |
| 100K-200K | 11.75 | 23.50 | 20.00 | 14 | 12.00 | 1.50 | 10 | 8.00 | 1.50 | 1.12 |



Top View



Side View

Prices are subject to change without notice. Please call for current prices.

Other items are available from the manufacturers, please call for quote.

13-01 Pollitt Dr Ext  
Fair Lawn NJ 07410  
201-797-2718

**Totalcomp**  
Components

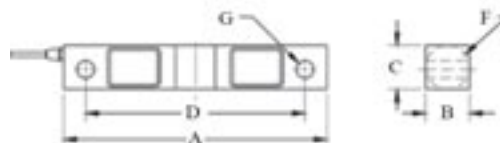
www.totalcomp.com  
sales@totalcomp.com  
Fax 201-797-2287

# Tank

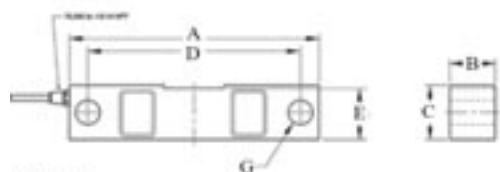
Tank



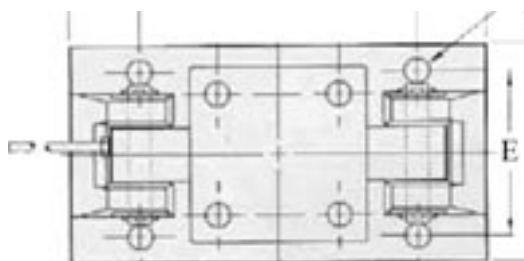
DSR



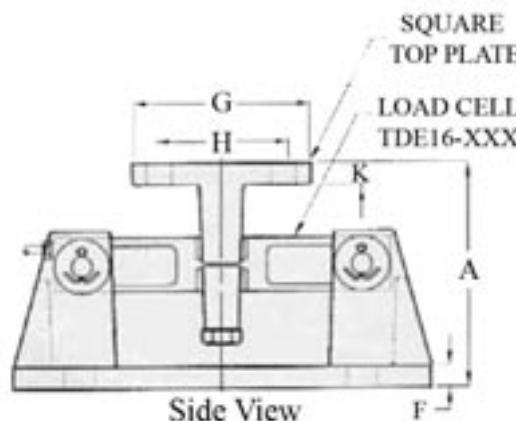
1000-50,000 lb



75,000 lb



Top View



Side View

## Tank weighing assembly needs (1) load cell and (1) mount

### DSR Celtron

Alloy steel cell interchangeable with 65016 Sensortronics. Double ended shear beam tank cell.

3 mv/v, 770/770 ohms, 25 ft 4 wire cable, environmentally sealed, IP67.

| Part Number | Capacity  | Weight | SKU  | List      |
|-------------|-----------|--------|------|-----------|
| DSR-1K      | 1,000 lb  | 4 lb   | 7996 | \$ 517.28 |
| DSR-1.5K    | 1,500 lb  | 4 lb   | 7997 | 517.28    |
| DSR-2K      | 2,000 lb  | 4 lb   | 7998 | 517.28    |
| DSR-2.5K    | 2,500 lb  | 4 lb   | 7999 | 517.28    |
| DSR-5K      | 5,000 lb  | 4 lb   | 8000 | 517.28    |
| DSR-10K     | 10,000 lb | 8 lb   | 8001 | 600.88    |
| DSR-15K     | 15,000 lb | 8 lb   | 8002 | 600.88    |
| DSR-20K     | 20,000 lb | 8 lb   | 8003 | 600.88    |
| DSR-25K     | 25,000 lb | 8 lb   | 8004 | 600.88    |
| DSR-50K     | 50,000 lb | 25 lb  | 8005 | 862.13    |
| DSR-75K     | 75,000 lb | 25 lb  | 8006 | 862.13    |

### Dimensions in inches

| Capacity | A     | B    | C    | D     | E    | F     | G    |
|----------|-------|------|------|-------|------|-------|------|
| 1K-5K    | 7.50  | 1.25 | 1.25 | 6.25  | 0.69 | 1.25  | 0.50 |
| 10K-50K  | 8.75  | 1.44 | 1.94 | 7.50  | 0.96 | 1.99  | 0.81 |
| 50K      | 13.50 | 2.44 | 2.94 | 11.50 | 1.50 | 3.00  | 1.31 |
| 75K      | 13.50 | 2.44 | 2.94 | 11.50 | 1.47 | ----- | 1.31 |

### TM16 Totalcomp, tank mount assembly only

Welded steel, epoxy painted finish.

| Part Number | Capacity           | Weight | SKU  | List      |
|-------------|--------------------|--------|------|-----------|
| TM16-5      | 1,000 - 5,000 lb   | 17 lb  | 2374 | \$ 216.00 |
| TM16-25     | 10,000 - 25,000 lb | 55 lb  | 2375 | 418.00    |
| TM16-35     | 35,000 lb          | 55 lb  | 4184 | 418.00    |
| TM16-50     | 50,000 lb          | 155 lb | 2376 | 1,407.00  |
| TM16-75     | 75,000 lb          | 155 lb | 2810 | 1,407.00  |

### Dimensions in inches

| Capacity  | A     | B     | C     | D  | E     | F    | G  | H    | K    | L    |
|-----------|-------|-------|-------|----|-------|------|----|------|------|------|
| 1K-5K     | 5.13  | 9.35  | 6.25  | 5  | 3.75  | 0.50 | 4  | 2.75 | 0.50 | 0.56 |
| 10K-35K   | 7.90  | 12.00 | 7.50  | 8  | 6.00  | 0.75 | 8  | 6.00 | 0.75 | 0.78 |
| 50K-75K   | 9.30  | 16.25 | 11.50 | 12 | 9.50  | 1.00 | 9  | 6.50 | 1.00 | 0.78 |
| 100K-200K | 11.75 | 23.50 | 20.00 | 14 | 12.00 | 1.50 | 10 | 8.00 | 1.50 | 1.12 |

Prices are subject to change without notice. Please call for current prices.

Other items are available from the manufacturers, please call for quote.

# Tank

## Tank weighing assembly needs (1) load cell and (1) mount

### DSR-HSS Celtron

Stainless steel cell interchangeable with 65016 Sensortronics. Double ended shear beam tank cell.

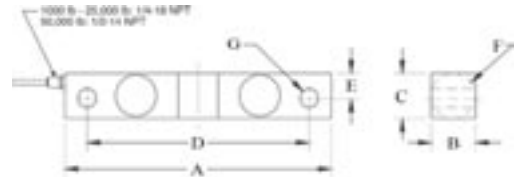
3 mv/v, 770/770 ohms, 25 ft 4 wire cable, stainless steel, IP67.

FM Approval

| Part Number  | Capacity  | Weight | SKU  | List            |
|--------------|-----------|--------|------|-----------------|
| DSR-1K-HSS   | 1,000 lb  | 4 lb   | 7987 | \$ 559.08       |
| DSR-2K-HSS   | 2,000 lb  | 4 lb   | 7988 | 559.08          |
| DSR-2.5K-HSS | 2,500 lb  | 4 lb   | 7989 | 559.08          |
| DSR-5K-HSS   | 5,000 lb  | 4 lb   | 7990 | 559.08          |
| DSR-10K-HSS  | 10,000 lb | 8 lb   | 7991 | 627.00          |
| DSR-15K-HSS  | 15,000 lb | 8 lb   | 7992 | 627.00          |
| DSR-20K-HSS  | 20,000 lb | 8 lb   | 7993 | 627.00          |
| DSR-25K-HSS  | 25,000 lb | 8 lb   | 7994 | 627.00          |
| DSR-50K-HSS  | 50,000 lb | 25 lb  | 7995 | Contact Factory |



DSR-HSS



### Dimensions in inches

| Capacity | A     | B    | C    | D     | E    | F    | G    |
|----------|-------|------|------|-------|------|------|------|
| 1K-5K    | 7.50  | 1.25 | 1.25 | 6.25  | 0.69 | 1.25 | 0.50 |
| 10K-50K  | 8.75  | 1.44 | 1.94 | 7.50  | 0.96 | 1.99 | 0.81 |
| 50K      | 13.50 | 2.44 | 2.94 | 11.50 | 1.50 | 3.00 | 1.31 |



65016-SS  
w/ mounting assembly

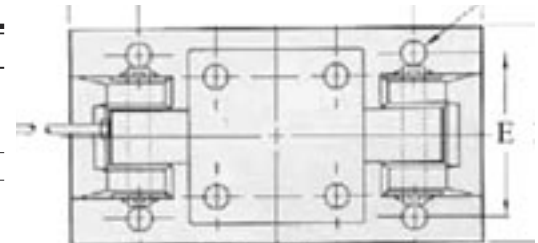
### 1605-SS tank mounting assembly only

Mounting assembly is cast stainless steel. These mounts are cast with 17-4 PH stainless steel and are prone to surface blemishes and discoloration. They are not suitable for food, medical or pharmaceutical applications.

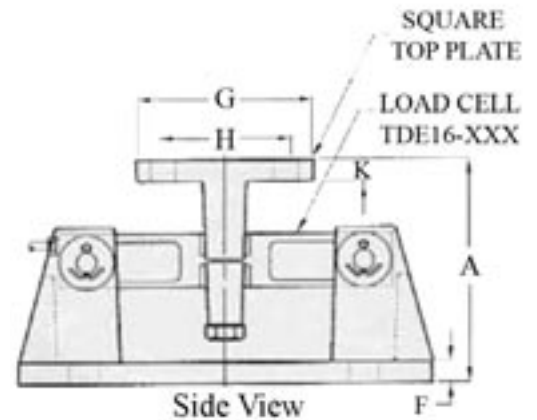
| Part Number  | Capacity           | Weight | SKU  | List      |
|--------------|--------------------|--------|------|-----------|
| 1605-SS      | 1,000 - 5,000 lb   | 17 lb  | 1385 | \$ 501.60 |
| 1625-SS      | 10,000 - 25,000 lb | 56 lb  | 1386 | 997.98    |
| 1625-0104-SS | 35,000 lb          | 56 lb  | 1717 | 1,348.05  |
| 1650-SS      | 50,000 - 60,000 lb | 130 lb | 1387 | 2,711.78  |
| 1675-SS      | 75,000 lb          | 130 lb | 1496 | 2,711.78  |

### Dimensions in inches

| Capacity  | A     | B     | C     | D  | E     | F    | G  | H    | K    | L    |
|-----------|-------|-------|-------|----|-------|------|----|------|------|------|
| 1K-5K     | 5.13  | 9.35  | 6.25  | 5  | 3.75  | 0.50 | 4  | 2.75 | 0.50 | 0.56 |
| 10K-35K   | 7.90  | 12.00 | 7.50  | 8  | 6.00  | 0.75 | 8  | 6.00 | 0.75 | 0.78 |
| 50K-75K   | 9.30  | 16.25 | 11.50 | 12 | 9.50  | 1.00 | 9  | 6.50 | 1.00 | 0.78 |
| 100K-200K | 11.75 | 23.50 | 20.00 | 14 | 12.00 | 1.50 | 10 | 8.00 | 1.50 | 1.12 |



Top View



Side View

Prices are subject to change without notice. Please call for current prices.

Other items are available from the manufacturers, please call for quote.

13-01 Pollitt Dr Ext  
Fair Lawn NJ 07410  
201-797-2718

**Totalcomp**  
Components

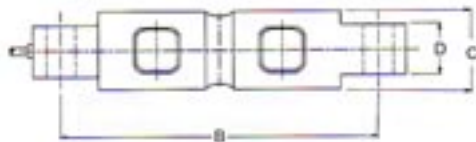
www.totalcomp.com  
sales@totalcomp.com  
Fax 201-797-2287

Tank

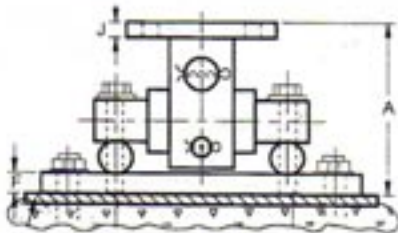
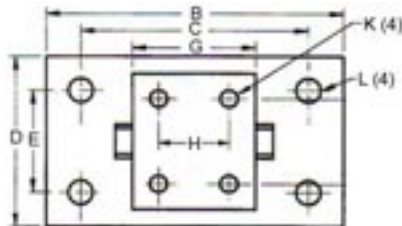
# Tank



**5103**  
Beam only



**5103**  
w/ EZM I



## Tank weighing assembly needs (1) load cell and (1) mount

### 5103 Revere, beam only

3 mv/v, 700/700 ohm, 30 ft 4 wire cable, nickel plated steel, IP67  
NTEP Legal for Trade 86-039

| Part Number | Capacity   | Weight | SKU  | List      |
|-------------|------------|--------|------|-----------|
| 5103-5K     | 5,000 lb   | 6 lb   | 557  | \$ 682.39 |
| 5103-10K    | 10,000 lb  | 6 lb   | 558  | 682.39    |
| 5103-20K    | 20,000 lb  | 6 lb   | 559  | 740.91    |
| 5103-30K    | 30,000 lb  | 18 lb  | 1967 | 939.46    |
| 5103-40K    | 40,000 lb  | 18 lb  | 1968 | 939.46    |
| 5103-50K    | 50,000 lb  | 20 lb  | 560  | 1,048.14  |
| 5103-60K    | 60,000 lb  | 20 lb  | 1973 | 1,035.60  |
| 5103-75K    | 75,000 lb  | 20 lb  | 574  | 1,035.60  |
| 5103-100K   | 100,000 lb | 24 lb  | 561  | 1,376.27  |
| 5103-150K   | 150,000 lb | 24 lb  | 562  | 1,609.30  |
| 5103-200K   | 200,000 lb | 46 lb  | 2419 | 2,958.40  |
| 5103-250K   | 250,000 lb | 46 lb  | 1722 | 2,958.40  |

### Dimensions in inches

| Capacity | A     | B     | C    | D    | E    |
|----------|-------|-------|------|------|------|
| 5K, 10K  | 8.12  | 6.85  | 1.70 | 1.12 | 0.62 |
| 20K      | 8.12  | 6.85  | 1.95 | 1.12 | 0.62 |
| 30K-75K  | 10.25 | 8.50  | 3.00 | 2.37 | 1.06 |
| 100K     | 11.25 | 9.50  | 3.50 | 2.50 | 1.06 |
| 150K     | 11.25 | 9.50  | 3.90 | 2.79 | 1.06 |
| 200K     | 16.10 | 13.00 | 5.37 | 4.59 | 1.56 |

### 5103 Revere, mounting assembly only.

Welded steel, epoxy painted finish.

| Part Number         | Capacity  | Weight | SKU  | List      |
|---------------------|-----------|--------|------|-----------|
| Mount for 5103-20K  | 5K - 20K  | 29 lb  | 1082 | \$ 357.76 |
| Mount for 5103-60K  | 30K - 60K | 86 lb  | 1083 | 964.14    |
| Mount for 5103-100K | 100K      | 166 lb | 1084 | 1,327.97  |
| Mount for 5103-150K | 150K      | 166 lb | 1746 | 1,327.97  |

### Dimensions in inches

| Capacity  | A     | B     | C     | D  | E    | F    | G    | H    | K    | L    |
|-----------|-------|-------|-------|----|------|------|------|------|------|------|
| 5K-20K    | 5.31  | 11.00 | 8.00  | 8  | 4.00 | 0.75 | 5.5  | 3.00 | 0.56 | 1.06 |
| 30K-60K   | 8.43  | 15.00 | 11.50 | 10 | 6.00 | 1.00 | 8.0  | 5.10 | 0.75 | 1.22 |
| 100K-150K | 10.38 | 18.00 | 14.00 | 12 | 9.00 | 1.25 | 10.0 | 7.50 | 0.81 | 1.38 |

Prices are subject to change without notice. Please call for current prices.

Other items are available from the manufacturers, please call for quote.



# Tank

## Tank weighing assembly needs (1) load cell and (1) mount

### 9103 Revere, beam only

3 mv/v, 860/700 ohm, 10 ft 4 wire cable 5K-20K, 30 ft 4 wire cable 30K-60K, **stainless steel**. IP67

NTEP Legal for Trade 99-153

| Part Number | Capacity   | Weight | SKU  | List      |
|-------------|------------|--------|------|-----------|
| 9103-5K *   | 5,000 lb   | 5 lb   | 1975 | \$ 932.14 |
| 9103-10K    | 10,000 lb  | 5 lb   | 1976 | 932.14    |
| 9103-15K    | 15,000 lb  | 5 lb   | 1081 | 932.14    |
| 9103-20K    | 20,000 lb  | 5 lb   | 1977 | 932.14    |
| 9103-30K    | 30,000 lb  | 18 lb  | 1978 | 1,231.01  |
| 9103-40K    | 40,000 lb  | 18 lb  | 1979 | 1,231.01  |
| 9103-50K    | 50,000 lb  | 18 lb  | 1980 | 1,380.45  |
| 9103-60K    | 60,000 lb  | 18 lb  | 1981 | 1,380.45  |
| 9103-75K    | 75,000 lb  | 18 lb  | 1055 | 1,380.45  |
| 9103-100K   | 100,000 lb | 24 lb  | 2416 | 2,680.43  |
| 9103-150K * | 150,000 lb | 24 lb  | 2417 | 2,646.99  |
| 9103-200K * | 200,000 lb | 36 lb  | 2088 | 4,034.75  |

\* Not NTEP

### Dimensions in inches

| Capacity | A     | B     | C    | D    | E    |
|----------|-------|-------|------|------|------|
| 5K, 10K  | 8.12  | 6.85  | 1.70 | 1.12 | 0.62 |
| 20K      | 8.12  | 6.85  | 1.95 | 1.12 | 0.62 |
| 30K-60K  | 10.25 | 8.5   | 3.00 | 2.37 | 1.06 |
| 100K     | 11.25 | 9.5   | 3.50 | 2.50 | 1.06 |
| 150K     | 11.25 | 9.5   | 3.90 | 2.79 | 1.06 |
| 200K     | 16.10 | 13.00 | 5.37 | 4.59 | 1.56 |

### EZMI Revere, mount only

Welded steel, **stainless steel**.

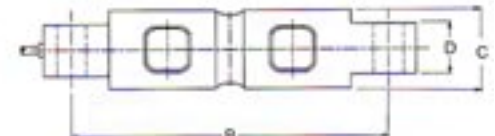
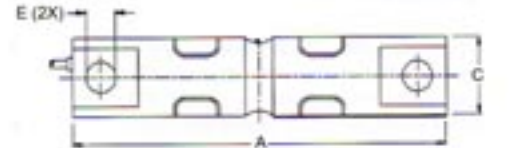
| Part Number  | Capacity  | Weight | SKU  | List      |
|--------------|-----------|--------|------|-----------|
| EZMI-20K-SS  | 5K - 20K  | 30 lb  | 1982 | \$ 848.93 |
| EZMI-60K-SS  | 30K - 60K | 90 lb  | 1983 | 2,413.37  |
| EZMI-100K-SS | 100K      | 170 lb | 4843 | 4,655.70  |
| EZMI-150K-SS | 150K      | 170 lb | 2418 | 4,655.70  |

### Dimensions in inches

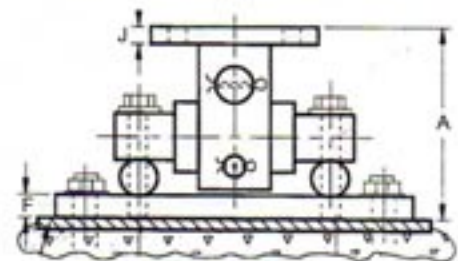
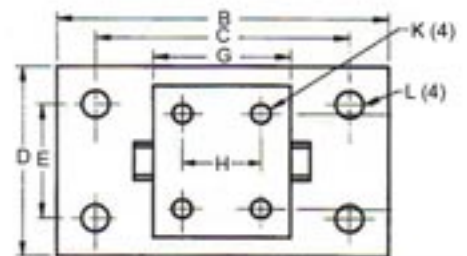
| Capacity  | A     | B     | C     | D  | E    | F    | G    | H    | K    | L    |
|-----------|-------|-------|-------|----|------|------|------|------|------|------|
| 5K-20K    | 5.31  | 11.00 | 8.00  | 8  | 4.00 | 0.75 | 5.5  | 3.00 | 0.56 | 1.06 |
| 30K-60K   | 8.43  | 15.00 | 11.50 | 10 | 6.00 | 1.00 | 8.0  | 5.10 | 0.75 | 1.22 |
| 100K-150K | 10.38 | 18.00 | 14.00 | 12 | 9.00 | 1.25 | 10.0 | 7.50 | 0.81 | 1.38 |



9103  
Beam only



9703  
w/ EZMI I



Prices are subject to change without notice. Please call for current prices.

Other items are available from the manufacturers, please call for quote.

13-01 Pollitt Dr Ext  
Fair Lawn NJ 07410  
201-797-2718

**Totalcomp**  
Components

www.totalcomp.com  
sales@totalcomp.com  
Fax 201-797-2287

# Tank



4000 Series  
NIST 3001 Certified models

TDE03

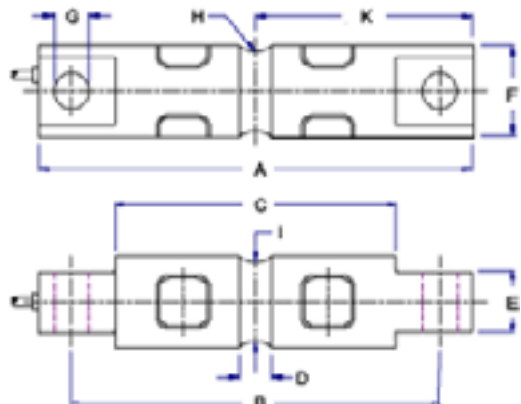
## Tank weighing assembly needs (1) load cell and (1) mount

### TDE03 Totalcomp, double ended beam only

Interchangeable with RTI Model 5103.

3 mv/v, 700/700 ohm, 30 ft 4 wire cable, nickel plated steel, IP67.

| Part Number | Capacity  | Weight | SKU  | List      |
|-------------|-----------|--------|------|-----------|
| TDE03-5K    | 5,000 lb  | 6 lb   | 1219 | \$ 574.75 |
| TDE03-10K   | 10,000 lb | 6 lb   | 1220 | 574.75    |
| TDE03-20K   | 20,000 lb | 6 lb   | 1221 | 574.75    |



#### Dimensions in inches

| Capacity | A    | B    | C    | D    | E    | F    | G    | H    | I    |
|----------|------|------|------|------|------|------|------|------|------|
| 5K       | 8.11 | 6.87 | 5.24 | 0.84 | 1.19 | 1.70 | 0.66 | 0.50 | 1.50 |
| 20K      | 8.11 | 6.87 | 5.24 | 0.62 | 1.19 | 1.95 | 0.66 | 0.50 | 1.50 |



9703  
w/ EZM I



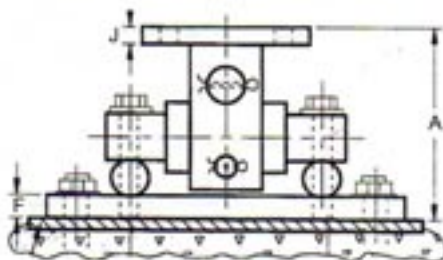
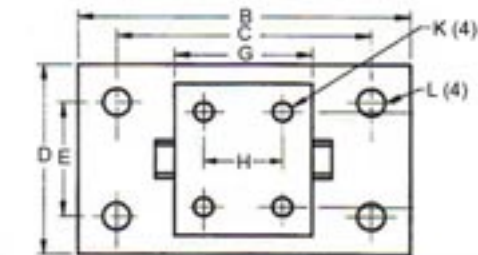
### 5103 Revere, mounting assembly only.

Welded steel, epoxy painted finish.

| Part Number         | Capacity  | Weight | SKU  | List      |
|---------------------|-----------|--------|------|-----------|
| Mount for 5103-20K  | 5K - 20K  | 29 lb  | 1082 | \$ 357.76 |
| Mount for 5103-60K  | 30K - 60K | 86 lb  | 1083 | 964.14    |
| Mount for 5103-100K | 100K      | 166 lb | 1084 | 1,327.97  |
| Mount for 5103-150K | 150K      | 166 lb | 1746 | 1,327.97  |

#### Dimensions in inches

| Capacity  | A     | B     | C     | D  | E    | F    | G    | H    | K    | L    |
|-----------|-------|-------|-------|----|------|------|------|------|------|------|
| 5K-20K    | 5.31  | 11.00 | 8.00  | 8  | 4.00 | 0.75 | 5.5  | 3.00 | 0.56 | 1.06 |
| 30K-60K   | 8.43  | 15.00 | 11.50 | 10 | 6.00 | 1.00 | 8.0  | 5.10 | 0.75 | 1.22 |
| 100K-150K | 10.38 | 18.00 | 14.00 | 12 | 9.00 | 1.25 | 10.0 | 7.50 | 0.81 | 1.38 |



Prices are subject to change without notice. Please call for current prices.

Other items are available from the manufacturers, please call for quote.

## Tank weighing assembly needs (1) load cell and (1) mount

### GDE03 General Sensor, double ended beam only

Interchangeable with RTI Model 5103.  
3 mv/v, 800/700 ohm, 50 ft 4 wire cable, nickel plated steel, IP67.

| Part Number | Capacity   | Weight | SKU  | List      |
|-------------|------------|--------|------|-----------|
| GDE03-5K    | 5,000 lb   | 5 lb   | 4652 | \$ 563.64 |
| GDE03-10K   | 10,000 lb  | 5 lb   | 4653 | 563.64    |
| GDE03-20K   | 20,000 lb  | 5 lb   | 4654 | 563.64    |
| GDE03-30K   | 30,000 lb  | 16 lb  | 4655 | 673.37    |
| GDE03-40K   | 40,000 lb  | 16 lb  | 4656 | 673.37    |
| GDE03-50K   | 50,000 lb  | 20 lb  | 4657 | 673.37    |
| GDE03-60K   | 60,000 lb  | 20 lb  | 4658 | 673.37    |
| GDE03-100K  | 100,000 lb | 24 lb  | 4659 | 879.90    |
| GDE03-150K  | 150,000 lb | 34 lb  | 4660 | 884.73    |
| GDE03-250K  | 250,000 lb | 44 lb  | 4661 | 1,237.01  |

### Dimensions in inches

| Capacity | A     | B     | C     | D    | E    | F    | G    | H    | I    |
|----------|-------|-------|-------|------|------|------|------|------|------|
| 5K       | 8.11  | 6.87  | 5.24  | 0.84 | 1.19 | 1.70 | 0.66 | 0.50 | 1.50 |
| 20K      | 8.11  | 6.87  | 5.24  | 0.84 | 1.19 | 1.95 | 0.66 | 0.50 | 1.50 |
| 30K-60K  | 10.25 | 8.50  | 6.50  | 1.00 | 2.37 | 3.00 | 1.06 | 1.00 | 2.73 |
| 100K     | 11.25 | 9.50  | 7.50  | 1.25 | 2.50 | 3.50 | 1.06 | 1.50 | 3.24 |
| 150K     | 11.25 | 9.50  | 7.50  | 1.25 | 2.79 | 3.90 | 1.06 | 1.50 | 3.64 |
| 200K     | 16.09 | 13.00 | 10.00 | 1.29 | 4.59 | 5.37 | 1.55 | 2.00 | 5.17 |

### EZMI Revere, mounting assembly only

Welded steel, stainless steel.

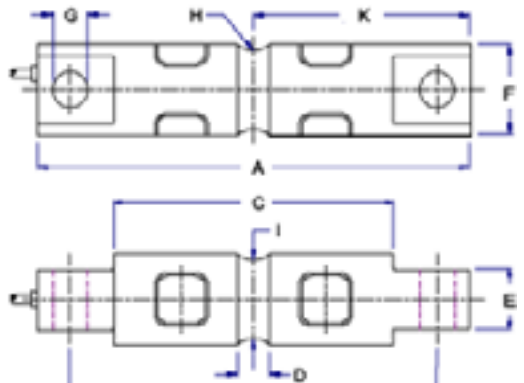
| Part Number  | Capacity  | Weight | SKU  | List      |
|--------------|-----------|--------|------|-----------|
| EZMI-20K-SS  | 5K - 20K  | 30 lb  | 1982 | \$ 848.93 |
| EZMI-60K-SS  | 30K - 60K | 90 lb  | 1983 | 2,413.37  |
| EZMI-100K-SS | 100K      | 170 lb | 4843 | 4,655.70  |
| EZMI-150K-SS | 150K      | 170 lb | 2418 | 4,655.70  |

### Dimensions in inches

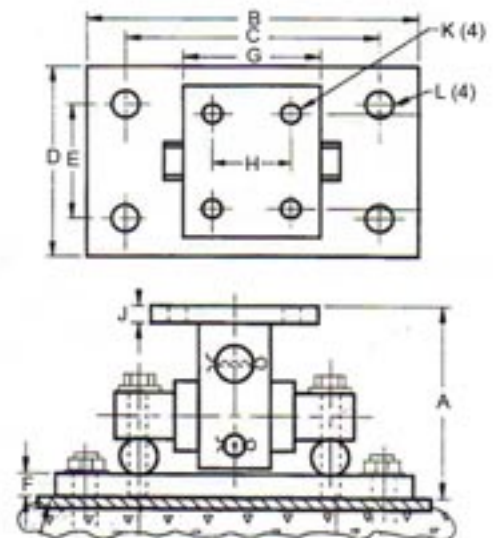
| Capacity  | A     | B     | C     | D  | E    | F    | G    | H    | K    | L    |
|-----------|-------|-------|-------|----|------|------|------|------|------|------|
| 5K-20K    | 5.31  | 11.00 | 8.00  | 8  | 4.00 | 0.75 | 5.5  | 3.00 | 0.56 | 1.06 |
| 30K-60K   | 8.43  | 15.00 | 11.50 | 10 | 6.00 | 1.00 | 8.0  | 5.10 | 0.75 | 1.22 |
| 100K-150K | 10.38 | 18.00 | 14.00 | 12 | 9.00 | 1.25 | 10.0 | 7.50 | 0.81 | 1.38 |



GDE03



9703  
w/ EZMI I



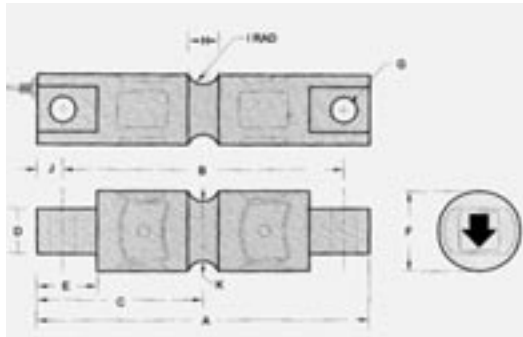
Prices are subject to change without notice. Please call for current prices.

Other items are available from the manufacturers, please call for quote.

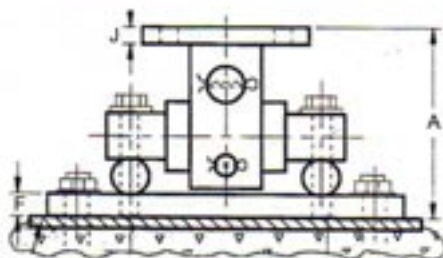
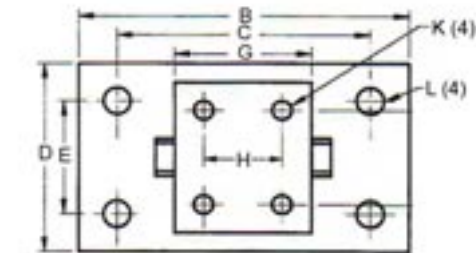
# Tank



70210



9703  
w/ EZM I



## Tank weighing assembly needs (1) load cell and (1) mount

### 70210 Artech, double ended beam only

3mv/v, 700/700 ohm, 30 ft 4 wire cable, electroless nickel/chrome plated steel.  
NTEP Legal for Trade 87-094

| Part Number   | Capacity   | Weight | SKU  | List        |
|---------------|------------|--------|------|-------------|
| 70210-5K      | 5,000 lb   | 5 lb   | 5353 | \$ 1,003.47 |
| 70210-10K     | 10,000 lb  | 5 lb   | 5354 | 1,003.47    |
| 70210-20K     | 20,000 lb  | 5 lb   | 5355 | 1,003.47    |
| 70210-30K     | 30,000 lb  | 16 lb  | 5356 | 1,095.33    |
| 70210-40K     | 40,000 lb  | 16 lb  | 5357 | 1,095.33    |
| 70210-50K     | 50,000 lb  | 20 lb  | 5358 | 1,095.33    |
| 70210-60K     | 60,000 lb  | 20 lb  | 5359 | 1,095.33    |
| 70210-100K    | 100,000 lb | 24 lb  | 6424 | 2,203.15    |
| 70210-150K-SE | 150,000 lb | 24 lb  | 6425 | 2,203.15    |
| 70210-150K-LE | 150,000 lb | 34 lb  | 6426 | 2,650.00    |
| 70210-200K    | 200,000 lb | 44 lb  | 6427 | 3,586.53    |
| 70210-250K *  | 250,000 lb | 44 lb  | 6428 | 5,635.98    |

\* Not NTEP

### Dimensions in inches

| Capacity    | A     | B     | C    | D    | E    | F    | G    | H    | I    | J    | K    |
|-------------|-------|-------|------|------|------|------|------|------|------|------|------|
| 5K-20K      | 8.12  | 6.87  | 4.06 | 1.12 | 1.44 | 1.75 | 0.65 | 0.62 | 0.50 | 0.62 | 1.48 |
| 50K-65K     | 10.25 | 8.50  | 5.12 | 2.36 | 1.87 | 3.00 | 1.00 | 1.00 | 1.00 | 0.88 | 2.75 |
| 100K-150KSE | 11.25 | 9.50  | 5.62 | 2.50 | 1.87 | 3.50 | 1.06 | 1.00 | 1.00 | 0.88 | 3.25 |
| 150KLE-250K | 16.10 | 13.00 | 8.05 | 4.60 | 3.05 | 5.38 | 1.56 | 1.50 | 2.00 | 1.55 | 5.17 |

### EZMI Revere, mount only

Welded steel, stainless steel.

| Part Number  | Capacity  | Weight | SKU  | List      |
|--------------|-----------|--------|------|-----------|
| EZMI-20K-SS  | 5K - 20K  | 30 lb  | 1982 | \$ 848.93 |
| EZMI-60K-SS  | 30K - 60K | 90 lb  | 1983 | 2,413.37  |
| EZMI-100K-SS | 100K      | 170 lb | 4843 | 4,655.70  |
| EZMI-150K-SS | 150K      | 170 lb | 2418 | 4,655.70  |

### Dimensions in inches

| Capacity  | A     | B     | C     | D  | E    | F    | G    | H    | K    | L    |
|-----------|-------|-------|-------|----|------|------|------|------|------|------|
| 5K-20K    | 5.31  | 11.00 | 8.00  | 8  | 4.00 | 0.75 | 5.5  | 3.00 | 0.56 | 1.06 |
| 30K-60K   | 8.43  | 15.00 | 11.50 | 10 | 6.00 | 1.00 | 8.0  | 5.10 | 0.75 | 1.22 |
| 100K-150K | 10.38 | 18.00 | 14.00 | 12 | 9.00 | 1.25 | 10.0 | 7.50 | 0.81 | 1.38 |

Prices are subject to change without notice. Please call for current prices.

Other items are available from the manufacturers, please call for quote.

## 80210 Artech, load cell only

Interchangeable with RTI 5223

3 mv/v, 700/700 ohm, 60 ft 4 wire cable, nickel plated steel w/welded covers, IP67.

NTEP Legal for Trade 90-083

| Part Number | Capacity   | Weight   | SKU  | List        |
|-------------|------------|----------|------|-------------|
| 80210-50K   | 50,000 lb  | 21 lb    | 6102 | \$ 1,274.50 |
| 80210-65K   | 65,000 lb  | 21 lb    | 6103 | 1,274.50    |
| 80210-75KLE | 75,000 lb  | 21 lb    | 6374 | 1,274.50    |
| 80210-100K  | 100,000 lb | 21 lb    | 6189 | 1,697.20    |
| 80210-125K  | 125,000 lb | 19.05 lb | 6113 | 1,697.20    |

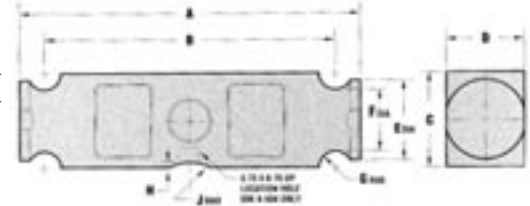


80210



### Dimensions in inches

| Capacity  | A     | B     | C    | D    | E    | F    | G    | H    | J    |
|-----------|-------|-------|------|------|------|------|------|------|------|
| 20K-60KSE | 8.25  | 7.25  | 2.44 | 1.94 | 2.00 | 1.63 | 0.50 | 0.25 | 0.50 |
| 50K-75K   | 10.25 | 8.50  | 2.90 | 2.90 | 2.40 | 2.05 | 1.00 | 0.25 | 1.00 |
| 90K-200K  | 11.50 | 10.00 | 3.40 | 3.40 | 2.75 | 2.35 | 1.50 | 0.40 | 1.50 |



Truck

## SS80310 Artech

Interchangeable with Sensortronics 65040

3 mv/v, 700 ohm input, 700 ohm output

4 wire cable, 40 ft for 20K-50KSE, 60 ft for 50K-200K, stainless steel, IP67.

NTEP Legal for Trade 90-083

| Part Number   | Capacity   | Weight | SKU  | List        |
|---------------|------------|--------|------|-------------|
| SS80310-20K   | 20,000 lb  | 20 lb  | 7464 | \$ 1,332.14 |
| SS80310-30K   | 30,000 lb  | 20 lb  | 7465 | 1,332.14    |
| SS80310-35K   | 35,000 lb  | 22 lb  | 7466 | 1,613.94    |
| SS80310-40K   | 40,000 lb  | 25 lb  | 7467 | 1,613.94    |
| SS80310-50KSE | 50,000 lb  | 25 lb  | 7468 | 1,613.94    |
| SS80310-50K   | 50,000 lb  | 28 lb  | 7469 | 1,613.94    |
| SS80310-60K   | 60,000 lb  | 28 lb  | 7470 | 1,613.94    |
| SS80310-65K   | 65,000 lb  | 28 lb  | 7471 | 1,613.94    |
| SS80310-75KSE | 75,000 lb  | 28 lb  | 7472 | 1,613.94    |
| SS80310-75K   | 75,000 lb  | 28 lb  | 7473 | 1,613.94    |
| SS80310-100K  | 100,000 lb | 30 lb  | 7474 | 3,357.25    |
| SS80310-125K  | 125,000 lb | 30 lb  | 7475 | 3,357.25    |

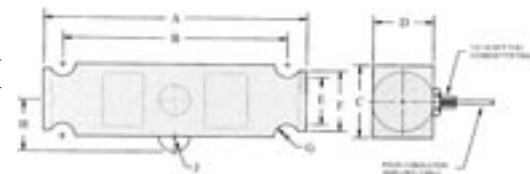


SS80310



### Dimensions in inches

| Capacity  | A     | B     | C    | D    | E    | F    | G    | H    | J    |
|-----------|-------|-------|------|------|------|------|------|------|------|
| 20K-60KSE | 8.25  | 7.25  | 2.44 | 1.94 | 2.00 | 1.63 | 0.50 | 1.75 | 0.50 |
| 50K-75K   | 11.50 | 10.00 | 2.94 | 1.94 | 2.20 | 1.70 | 0.75 | 2.00 | 1.00 |
| 90K-200K  | 14.50 | 12.50 | 2.90 | 3.86 | 3.20 | 2.44 | 1.50 | 2.75 | 1.50 |



Prices are subject to change without notice. Please call for current prices.

Other items are available from the manufacturers, please call for quote.

# Truck

Truck



WM-III

## WM-III Artech, mounting assembly only

For use with stainless steel or tool steel versions of the 80210 and 80310. Artech's high strength machined link. WM-III A, B, & C are used with 80210 load cell. WM-III D, E & F are used with 80310 load cells. Mild steel, zinc plated steel.

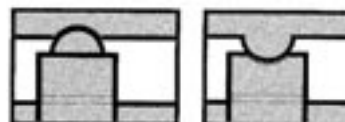
| Part Number | Capacity  | Weight | SKU  | List      |
|-------------|-----------|--------|------|-----------|
| WM-III-A    | 20K-75KSE | 80 lb  | 4429 | \$ 795.00 |
| WM-III-B    | 50K-75K   | 180 lb | 4430 | 1,050.00  |
| WM-III-C    | 200K      | 250 lb | 4431 | 5,833.00  |
| WM-III-D    | 20K-75KSE | 80 lb  | 7058 | 795.00    |
| WM-III-E    | 50K-75K   | 180 lb | 7059 | 1,050.00  |
| WM-III-F    | 90K-200K  | 250 lb | 7060 | 6,333.00  |

### Service Parts

|               |          |       |      |        |
|---------------|----------|-------|------|--------|
| WM-III Link-A | 20K-50K  | 15 lb | 4929 | 136.00 |
| WM-III Link-B | 50K-75K  | 20 lb | 4930 | 291.00 |
| WM-III Link-C | 90K-150K | 25 lb | 4931 | 375.00 |

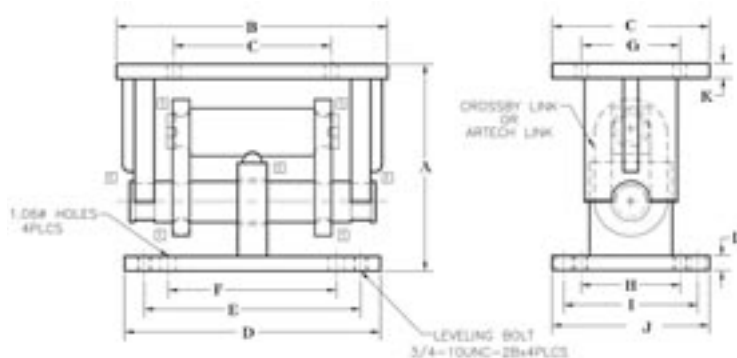


WM-III Link



A, B, C  
80210

D, E, F  
80310



| Capacity   | Load Cell | A     | B     | C     | D     | E     | F     | G     | H    | I    | J    | K    | L    |
|------------|-----------|-------|-------|-------|-------|-------|-------|-------|------|------|------|------|------|
| 20K-60KSE  | 80210     | 10.50 | 13.00 | 8.00  | 13.00 | 11.50 | 8.00  | 0.690 | 6.00 | 6.00 | 8.00 | 0.75 | 0.75 |
| 50K-150KSE | 80210     | 15.50 | 13.00 | 10.00 | 13.00 | 14.00 | 11.00 | 0.890 | 5.00 | 6.50 | 8.00 | 0.75 | 0.75 |
| 200K       | 80210     | 17.50 | 13.00 | 10.00 | 13.00 | 14.00 | 11.00 | 0.890 | 5.00 | 6.50 | 8.00 | 0.75 | 0.75 |
| 20K-60KSE  | 80310     | 10.50 | 13.00 | 8.00  | 13.00 | 11.50 | 8.00  | 0.690 | 6.00 | 6.00 | 8.00 | 0.75 | 0.75 |
| 50K-75K    | 80310     | 15.50 | 13.00 | 10.00 | 13.00 | 14.00 | 11.00 | 0.890 | 5.00 | 6.50 | 8.00 | 0.75 | 0.75 |
| 90K-150K   | 80310     | 17.50 | 10.50 | 10.00 | 14.00 | 14.00 | 11.00 | 0.890 | 5.00 | 6.50 | 8.00 | 0.75 | 0.75 |

Prices are subject to change without notice. Please call for current prices.

Other items are available from the manufacturers, please call for quote.

## 80310 Artech

Replacement for CMI Truck Scale load cells. Interchangeable with Sensortronics 65040.  
 3 mv/v, 700/700 ohms, 60 ft 4 wire cable, nickel plated steel, IP67.  
 NTEP Legal for Trade 90-083

| Part Number  | Capacity  | Weight | SKU  | List        |
|--------------|-----------|--------|------|-------------|
| 80310-50K-SE | 50,000 lb | 18 lb  | 6196 | \$ 1,061.86 |
| 80310-60K-SE | 60,000 lb | 18 lb  | 6010 | 1,142.45    |
| 80310-75K-SE | 75,000 lb | 18 lb  | 6217 | 1,142.45    |
| 80310-50K-LE | 50,000 lb | 21 lb  | 6045 | 1,142.45    |
| 80310-60K-LE | 60,000 lb | 21 lb  | 6101 | 1,142.45    |
| 80310-75K-LE | 75,000 lb | 21 lb  | 6218 | 1,142.45    |

SE = Small envelope  
 LE = Large envelope

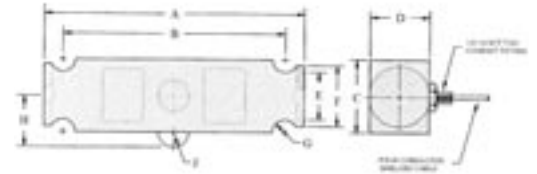


80310

Truck

### Dimensions in inches

| Capacity  | A     | B     | C    | D    | E    | F    | G    | H    | J    |
|-----------|-------|-------|------|------|------|------|------|------|------|
| 20K-60KSE | 8.25  | 7.25  | 2.44 | 1.94 | 2.00 | 1.63 | 0.50 | 1.75 | 0.50 |
| 50K-75KLE | 11.50 | 10.00 | 2.94 | 1.94 | 2.20 | 1.70 | 0.75 | 2.00 | 1.00 |
| 90K-200K  | 14.50 | 12.50 | 2.90 | 3.86 | 3.20 | 2.44 | 1.50 | 2.75 | 1.50 |



# Truck



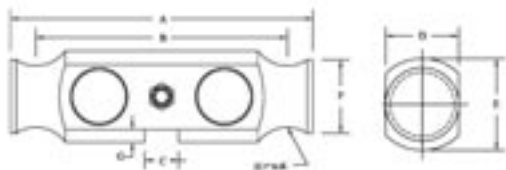
CG-DB-50000



## CG-DB Coti Global

Interchangeable with Cardinal DB-50000, RLDB50000S.  
2 mv/v, 700/ ohms, 50ft braided shield cable, **stainless steel**. IP67. FM Approved  
NTEP Legal for Trade 11-076

| Part Number      | Capacity  | Weight | SKU  | List        |
|------------------|-----------|--------|------|-------------|
| CG-DB-50000S-35K | 35,000 lb | 20 lb  | 1039 | \$ 1,270.50 |
| CG-DB-50000S-50K | 50,000 lb | 20 lb  | 1224 | 1,270.50    |
| CG-DB-50000S-75K | 75,000 lb | 20 lb  | 1040 | 1,270.50    |



### Dimensions in inches

| Capacity | A    | B    | C    | D    | E    | F    | G    | H    |
|----------|------|------|------|------|------|------|------|------|
| 35K-75K  | 8.25 | 7.25 | 0.93 | 1.80 | 2.50 | 2.00 | 0.38 | 0.75 |



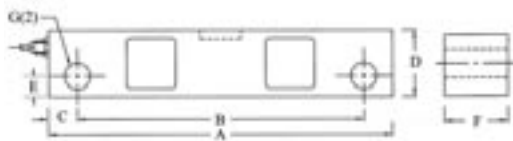
CI-STR



## CG-STR Coti Global

Interchangeable with Epelsa STR. Alloy steel, two load buttons are included.  
3 mv/v, 700/700 ohms, 50 ft 4 wire cable, environmentally protected.  
NTEP Legal for Trade 03-079

| Part Number | Capacity  | Weight | SKU  | List        |
|-------------|-----------|--------|------|-------------|
| CG-STR-40K  | 40,000 lb | 15 lb  | 5498 | \$ 1,039.50 |
| CG-STR-50K  | 50,000 lb | 15 lb  | 5499 | 1,039.50    |



### Dimensions in inches

| Capacity | A     | B    | C    | D    | E    | F    | G    |
|----------|-------|------|------|------|------|------|------|
| 40K-50K  | 10.50 | 8.75 | 0.88 | 2.00 | 0.61 | 1.91 | 0.78 |



# Truck

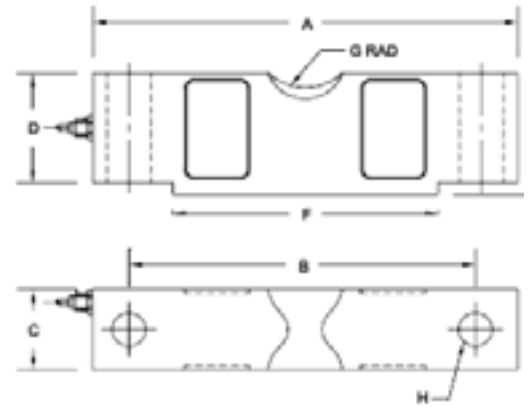
## CG-58 Coti Global, beam only

Interchangeable with Sensortronics 65058-SS.  
3.0 mv/v, 700/700 ohms, 50" braided shield cable, alloy steel. IP67.

| Part Number  | Capacity   | Weight | SKU  | List      |
|--------------|------------|--------|------|-----------|
| CG-58-10K    | 10,000 lb  | 12 lb  | 7023 | \$ 651.00 |
| CG-58-20K    | 20,000 lb  | 12 lb  | 7024 | 651.00    |
| CG-58-25K    | 25,000 lb  | 12 lb  | 7025 | 651.00    |
| CG-58-40K    | 40,000 lb  | 15 lb  | 7026 | 782.25    |
| CG-58-50K SE | 50,000 lb  | 15 lb  | 7027 | 782.25    |
| CG-58-50K    | 50,000 lb  | 15 lb  | 7028 | 861.00    |
| CG-58-60K    | 60,000 lb  | 19 lb  | 7029 | 861.00    |
| CG-58-75K    | 75,000 lb  | 19 lb  | 7030 | 861.00    |
| CG-58-100K   | 100,000 lb | 40 lb  | 7031 | 1,627.50  |
| CG-58-125K   | 125,000 lb | 40 lb  | 7032 | 1,627.50  |



CG-58  
Beam Only



### Dimensions in inches

| Capacity  | A     | B     | C    | D    | E    | F    | G    | H    |
|-----------|-------|-------|------|------|------|------|------|------|
| 10K-25K   | 7.75  | 6.50  | 1.69 | 1.70 | 1.94 | 5.00 | 0.75 | 0.68 |
| 40K-50KSE | 10.25 | 8.50  | 1.94 | 2.10 | 2.44 | 6.39 | 1.00 | 0.81 |
| 50K-75K   | 10.25 | 8.50  | 2.44 | 2.62 | 2.94 | 6.39 | 1.00 | 1.06 |
| 100K-125K | 15.25 | 12.75 | 2.90 | 3.43 | 3.86 | 9.00 | 1.50 | 1.62 |

## CG-5223 Coti Global

Interchangeable with RTI model 5223  
3mv/v, 700/700 ohms, 50 ft 4 wire cable, nickel plated steel, IP67  
NTEP Legal for Trade 03-044

| Part Number  | Capacity   | Weight | SKU  | List      |
|--------------|------------|--------|------|-----------|
| CG-5223-50K  | 50,000 lb  | 21 lb  | 6021 | \$ 982.50 |
| CG-5223-65K  | 65,000 lb  | 21 lb  | 6025 | 982.50    |
| CG-5223-100K | 100,000 lb | 21 lb  | 6026 | 952.88    |

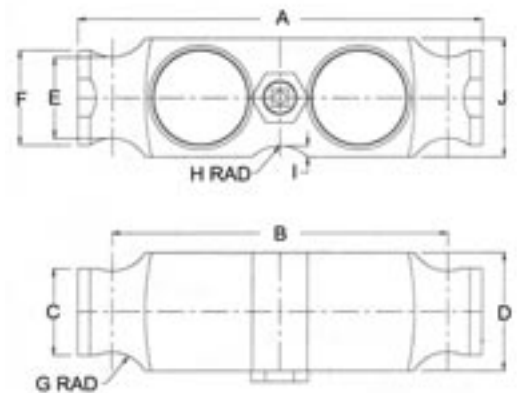


CG-5223



### Dimensions in inches

| Capacity   | A     | B    | C    | D    | E    | F    | G    | H    | I    | J    |
|------------|-------|------|------|------|------|------|------|------|------|------|
| 40K-125KSE | 10.25 | 8.50 | 3.00 | 3.00 | 2.40 | 2.07 | 1.00 | 1.00 | 0.75 | 0.78 |



Prices are subject to change without notice. Please call for current prices.

Other items are available from the manufacturers, please call for quote.

13-01 Pollitt Dr Ext  
Fair Lawn NJ 07410  
201-797-2718

**Totalcomp**  
Components

www.totalcomp.com  
sales@totalcomp.com  
Fax 201-797-2287

# Truck



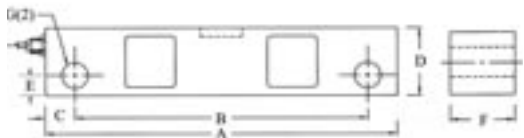
CG-STR1



## CG-STR1 Coti Global

Interchangeable with Fairbanks Rodan 90814, 9108, load button is included.  
3 mv/v, 700/700 ohms, 50 ft 4 wire cable, alloy steel.  
NTEP Legal for Trade 03-079

| Part Number | Capacity  | Weight | SKU  | List        |
|-------------|-----------|--------|------|-------------|
| CG-STR1-40K | 40,000 lb | 14 lb  | 2503 | \$ 1,039.50 |
| CG-STR1-50K | 50,000 lb | 14 lb  | 2504 | 1,039.50    |



### Dimensions in inches

| Capacity | A     | B    | C    | D    | E    | F    | G    |
|----------|-------|------|------|------|------|------|------|
| 40K-50K  | 10.50 | 8.75 | 0.88 | 2.44 | 1.22 | 1.94 | 0.78 |



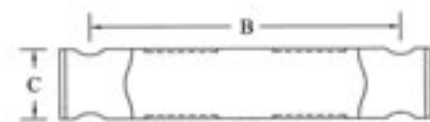
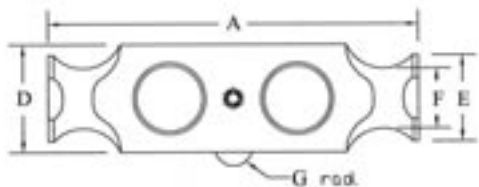
CG-BE40



## CG-BE40 Coti Global

Interchangeable with Sensortronics 65040.  
3mv/v, 700/700 ohms, 50 ft braided shield cable, nickel plated steel, IP67  
NTEP Legal for Trade 03-037

| Part Number   | Capacity   | Weight | SKU  | List      |
|---------------|------------|--------|------|-----------|
| CG-BE40-25K   | 25,000 lb  | 18 lb  | 6937 | \$ 661.50 |
| CG-BE40-40K   | 40,000 lb  | 18 lb  | 6938 | 661.50    |
| CG-BE40-50KSE | 50,000 lb  | 18 lb  | 6939 | 661.50    |
| CG-BE40-60KSE | 60,000 lb  | 18 lb  | 6940 | 661.50    |
| CG-BE40-50KLE | 50,000 lb  | 18 lb  | 6941 | 866.25    |
| CG-BE40-60KLE | 60,000 lb  | 18 lb  | 6942 | 866.25    |
| CG-BE40-75K   | 75,000 lb  | 18 lb  | 6943 | 866.25    |
| CG-BE40-75KSE | 75,000 lb  | 15 lb  | 6991 | 661.50    |
| CG-BE40-100K  | 100,000 lb | 60 lb  | 6944 | 1,627.50  |
| CG-BE40-125K  | 125,000 lb | 60 lb  | 6945 | 1,627.50  |



### Dimensions in inches

| Capacity  | A     | B     | C    | D    | E    | F    | G    |
|-----------|-------|-------|------|------|------|------|------|
| 25K-75KSE | 8.25  | 7.25  | 1.94 | 2.44 | 2.00 | 1.63 | 0.50 |
| 50K-75K   | 11.50 | 10.00 | 1.94 | 2.94 | 2.20 | 1.70 | 1.00 |
| 100K-125K | 14.50 | 12.50 | 2.90 | 3.86 | 3.20 | 2.44 | 1.50 |

Prices are subject to change without notice. Please call for current prices.

Other items are available from the manufacturers, please call for quote.

# Truck

## DB-50000 Cardinal

Original Cardinal load cell used in Cardinal Truck scales.  
 2 mv/v, 790/700 ohms, 35ft integral multiconductor cable, **stainless steel**, IP67.  
 NTEP Legal for Trade 97-133

| Part Number | Capacity  | Weight | SKU  | List        |
|-------------|-----------|--------|------|-------------|
| DB-50000    | 50,000 lb | 20 lb  | 1229 | \$ 1,730.00 |
| DB-75000    | 75,000 lb | 20 lb  | 2399 | 1,730.00    |



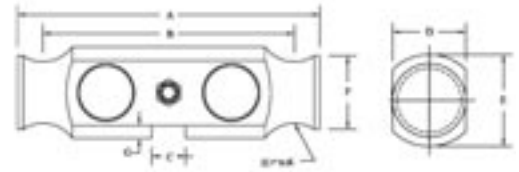
DB-50000



Truck

### Dimensions in inches

| Capacity | A    | B    | C    | D    | E    | F    | G    | H    |
|----------|------|------|------|------|------|------|------|------|
| 50K-75K  | 8.25 | 7.25 | 0.93 | 1.80 | 2.50 | 2.00 | 0.38 | 0.75 |



Mount shown for illustration only

Prices are subject to change without notice. Please call for current prices.

Other items are available from the manufacturers, please call for quote.

13-01 Pollitt Dr Ext  
 Fair Lawn NJ 07410  
 201-797-2718

**Totalcomp**  
 Components

www.totalcomp.com  
 sales@totalcomp.com  
 Fax 201-797-2287

# Truck



STR-50K



## STR Epelsa, beam only

Load cell has load button installed. Replacement for LC32 load cell in First Weigh Truck Scales.

3 mv/v, 700/700 ohm, 50 ft cable, nickel plated steel.

NTEP Legal for Trade 92-030

| Part Number | Equal    | Capacity  | Weight | SKU  | List        |
|-------------|----------|-----------|--------|------|-------------|
| STR-40K     | LC32-40K | 40,000 lb | 14 lb  | 2357 | \$ 1,027.00 |
| STR-50K     | LC32-50K | 50,000 lb | 14 lb  | 2358 | 1,027.00    |

### Service Parts

|   |      |      |       |
|---|------|------|-------|
| 603 Load button w/o guide pin 1" dia x 5/8" H | 1 lb | 1768 | 34.65 |
| 4300-0020 Support pin for LC32 mount          | 1 lb | 4635 | 31.50 |
| 1300-0003 Retaining clip for LC32 mount       | 1 lb | 6179 | 2.27  |

Truck



4300-0003 Support pin  
w/ optional 4300-0020 retaining clips



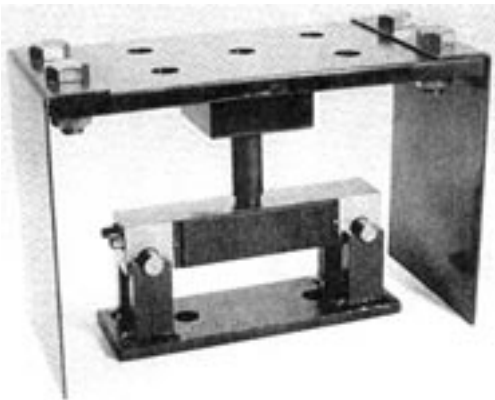
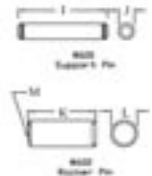
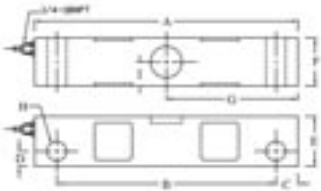
Load button  
w/o guide pin

### Dimensions in inches

| Capacity        | A     | B     | C     | D     | E     | F     | G     | H     | I     |
|-----------------|-------|-------|-------|-------|-------|-------|-------|-------|-------|
| 40-50K          | 10.50 | 8.75  | 0.88  | 0.61  | 2.00  | 1.91  | 5.25  | 0.78  | ----- |
| 600 Support Pin | ----- | ----- | ----- | ----- | ----- | ----- | ----- | ----- | 4.25  |
| 602 Support Pin | ----- | ----- | ----- | ----- | ----- | ----- | ----- | ----- | ----- |

### Dimensions in inches

| Capacity        | J     | K     | L     | M     |
|-----------------|-------|-------|-------|-------|
| 40-50K          | ----- | ----- | ----- | ----- |
| 600 Support Pin | 0.75  | ----- | ----- | ----- |
| 602 Support Pin | ----- | 3.25  | 1.25  | 12.00 |



VE20-5000

## VE20 Epelsa, heavy duty mount

Service parts only.

| Part Number          | Weight | SKU  | List     |
|----------------------|--------|------|----------|
| Service Parts        |        |      |          |
| 4300-0017 Rocker pin | 2 lb   | 6182 | \$ 74.24 |

Prices are subject to change without notice. Please call for current prices.

Other items are available from the manufacturers, please call for quote.

# Truck

## GDE23 General Sensor, beam only

Interchangeable with RTI Model 5223.

3 mv/v, 800/700 ohm, 50 ft 4 wire cable, nickel plated steel, IP67.

| Part Number | Capacity   | Weight | SKU  | List      |
|-------------|------------|--------|------|-----------|
| GDE23-20K   | 20,000 lb  | 16 lb  | 4645 | \$ 534.00 |
| GDE23-25K   | 25,000 lb  | 16 lb  | 4646 | 534.00    |
| GDE23-40K   | 40,000 lb  | 16 lb  | 4647 | 534.00    |
| GDE23-50K   | 50,000 lb  | 16 lb  | 4648 | 647.85    |
| GDE23-65K   | 65,000 lb  | 16 lb  | 4649 | 647.85    |
| GDE23-75K   | 75,000 lb  | 16 lb  | 4650 | 647.85    |
| GDE23-100K  | 100,000 lb | 16 lb  | 4651 | 647.85    |

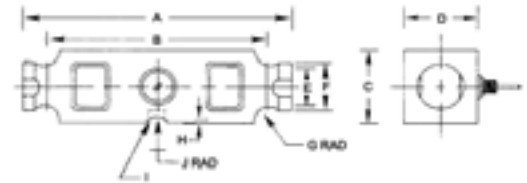


GDE232

Truck

### Dimensions in inches

| Capacity | A     | B    | C    | D    | E    | F    | G    | H    | I    | J    |
|----------|-------|------|------|------|------|------|------|------|------|------|
| 20K-40K  | 8.25  | 7.25 | 2.44 | 1.94 | 1.63 | 2.00 | 0.50 | 0.25 | 0.75 | 0.50 |
| 50K-100K | 10.25 | 8.50 | 2.90 | 2.90 | 2.05 | 2.40 | 1.00 | 0.25 | 0.75 | 1.00 |



Prices are subject to change without notice. Please call for current prices.

Other items are available from the manufacturers, please call for quote.

13-01 Pollitt Dr Ext  
Fair Lawn NJ 07410  
201-797-2718

**Totalcomp**  
Components

www.totalcomp.com  
sales@totalcomp.com  
Fax 201-797-2287

# Truck



5223



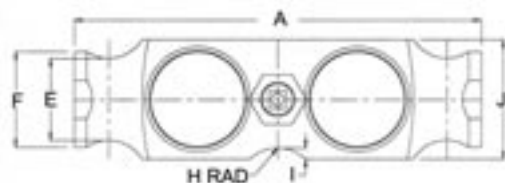
## Truck weighing assembly needs (1) load cell and (1) mount

### 5223 Revere, beam only

Replacement for Thurman TSC800 load cells, Unibridge DL9000, AirWay AW901, NVTech BLC-2.

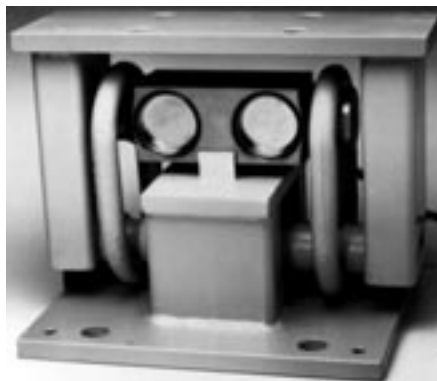
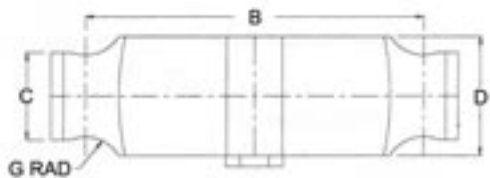
3 mv/v, 700/700 ohm, 40 ft 4 wire cable, hermetically sealed, nickel plated steel, IP67  
NTEP Legal for Trade 86-038

| Part Number | Capacity   | Weight | SKU  | List        |
|-------------|------------|--------|------|-------------|
| 5223-50K    | 50,000 lb  | 18 lb  | 866  | \$ 1,268.63 |
| 5223-65K    | 65,000 lb  | 18 lb  | 867  | 1,268.63    |
| 5223-100K   | 100,000 lb | 18 lb  | 868  | 1,893.54    |
| 5223-125K   | 125,000 lb | 18 lb  | 1035 | 1,893.54    |
| 5223-200K   | 200,000 lb | 32 lb  | 2422 | 2,161.06    |



### Dimensions in inches

| Capacity | A     | B    | C    | D    | E    | F    | G    | H    | I    | J    |
|----------|-------|------|------|------|------|------|------|------|------|------|
| 50K-100K | 10.25 | 8.50 | 2.20 | 3.00 | 2.06 | 2.40 | 1.00 | 1.00 | 0.28 | 3.00 |



5223 w/EZ Mount II



### EZII Revere, mounting assembly only

Mounting assembly is plated steel.

| Part Number         | Capacity   | Weight | SKU  | List      |
|---------------------|------------|--------|------|-----------|
| EZII mount for 5223 | 50K - 65K  | 148 lb | 1931 | \$ 675.00 |
| EZII mount for 5223 | 100,000 lb | 148 lb | 1932 | 940.00    |
| EZII mount for 5223 | 200,000 lb | 715 lb | 2423 | 2,900.00  |

# Truck

## 9423 Revere

3 mv/v, 700/700 ohms, 30 ft 4 wire cable, stainless steel, IP67.  
NTEP Legal for Trade 00-050

| Part Number | Capacity  | Weight | SKU  | List      |
|-------------|-----------|--------|------|-----------|
| 9423-10K *  | 10,000 lb | 18 lb  | 8024 | \$ 944.63 |
| 9423-15K *  | 15,000 lb | 18 lb  | 8025 | 944.63    |
| 9423-20K    | 30,000 lb | 18 lb  | 8026 | 944.63    |
| 9423-25K    | 25,000 lb | 18 lb  | 8027 | 944.63    |
| 9423-30K    | 30,000 lb | 18 lb  | 8028 | 944.63    |
| 9423-40K    | 40,000 lb | 18 lb  | 8029 | 944.63    |
| 9423-50K    | 50,000 lb | 18 lb  | 8030 | 944.63    |
| 9423-60K    | 60,000 lb | 18 lb  | 8031 | 944.63    |
| 9423-75K    | 75,000 lb | 18 lb  | 8032 | 944.63    |

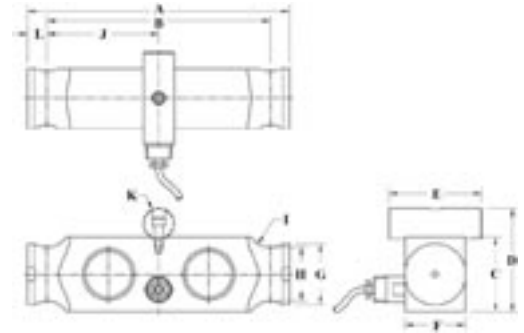
\* Not NTEP

### Dimensions in inches

| Capacity | A    | B    | C    | D    | E    | F    | G    | H    | I    | J    | K    | L    |
|----------|------|------|------|------|------|------|------|------|------|------|------|------|
| 10-25k   | 8.00 | 7.12 | 1.94 | 2.57 | 1.94 | 1.44 | 1.00 | 0.80 | 0.38 | 3.56 | 0.75 | 0.44 |
| 30-75k   | 8.50 | 7.25 | 2.45 | 3.38 | 3.00 | 1.95 | 2.00 | 1.75 | 0.75 | 3.62 | 1.00 | 0.63 |



9423



## 9323 Revere

The 9323 is a double ended beam type load cell. This product is designed for use in certified truck and rail scales and is available in capacities from 20K to 75Klbs. A reliable sealing and mechanical protection of the strain gage area is ensured by the use of potting compound with a metal cover. This load cell is rated intrinsically safe by the FM system, making it suitable for use in potentially explosive atmosphere.

| Part Number        | Capacity  | Weight | SKU | List      |
|--------------------|-----------|--------|-----|-----------|
| 9323-B10-50k-30PIR | 50,000 lb | 22 lb  | 218 | \$ 723.14 |
| 9323-B10-60k-30PIR | 60,000 lb | 22 lb  | 219 | 746.13    |

### Dimensions in inches

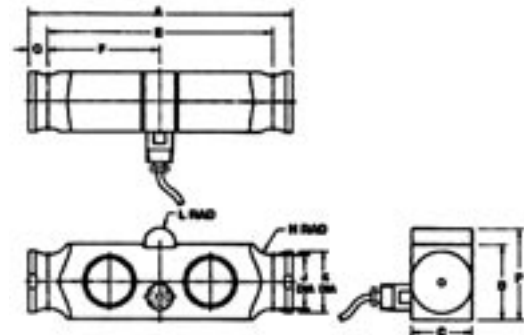
| Capacity | A    | B    | C    | E    | F    |
|----------|------|------|------|------|------|
| 50k      | 8.50 | 2.45 | 1.95 | 7.25 | 3.63 |
| 60k      | 8.50 | 2.45 | 1.95 | 7.25 | 3.63 |

### Dimensions in inches

| Capacity | G    | H    | J RAD | K       | J    | K    | L RAD | P    |
|----------|------|------|-------|---------|------|------|-------|------|
| 50k      | 0.63 | 0.75 | 1.75  | 2.00dia | 0.88 | 1.29 | 0.50  | 3.00 |
| 60k      | 0.63 | 0.75 | 1.75  | 2.00dia | 0.88 | 1.29 | 0.50  | 3.00 |



9323



Prices are subject to change without notice. Please call for current prices.

Other items are available from the manufacturers, please call for quote.

13-01 Pollitt Dr Ext  
Fair Lawn NJ 07410  
201-797-2718

**Totalcomp**  
Components

www.totalcomp.com  
sales@totalcomp.com  
Fax 201-797-2287

# Truck



65058



## Truck weighing assembly needs (1) load cell and (1) mount

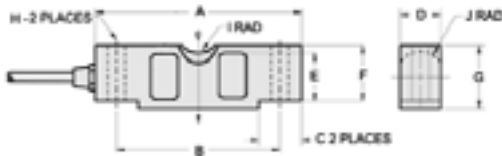
### 65058 Sensortronics, beam only

3 mv/v, 700/700 ohms, 35 ft 4 wire cable, nickel plated steel, IP67.  
NTEP Legal for Trade 86-046

| Part Number | Capacity   | Weight | SKU  | List      |
|-------------|------------|--------|------|-----------|
| 65058A-20K  | 20,000 lb  | 7 lb   | 548  | \$ 775.39 |
| 65058A-25K  | 25,000 lb  | 7 lb   | 549  | 775.39    |
| 65058A-40K  | 40,000 lb  | 14 lb  | 551  | 870.49    |
| 65058A-50K  | 50,000 lb  | 21 lb  | 552  | 933.19    |
| 65058A-60K  | 60,000 lb  | 21 lb  | 553  | 933.19    |
| 65058A-75K  | 75,000 lb  | 21 lb  | 554  | 980.00    |
| 65058A-100K | 100,000 lb | 42 lb  | 3701 | 2,176.74  |
| 65058A-125K | 125,000 lb | 42 lb  | 556  | 2,176.74  |

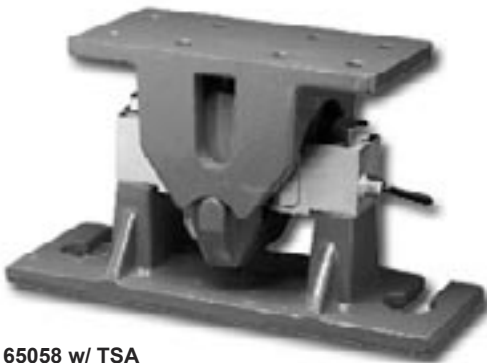
### Howe Richardson replacement

|                 |           |       |      |        |
|-----------------|-----------|-------|------|--------|
| 65058A-50K-1127 | 50,000 lb | 14 lb | 2515 | 931.10 |
|-----------------|-----------|-------|------|--------|



### Dimensions in inches

| Capacity  | A     | B     | C    | D    | E    | F    | G    | H    | I    | J    |
|-----------|-------|-------|------|------|------|------|------|------|------|------|
| 10K-25K   | 7.75  | 6.50  | 1.38 | 1.69 | 1.63 | 1.70 | 1.94 | 0.68 | 0.75 | 0.90 |
| 40K       | 10.25 | 8.50  | 1.93 | 1.94 | 2.00 | 2.10 | 2.44 | 0.81 | 1.00 | 1.12 |
| 50K-75K   | 10.25 | 8.50  | 1.93 | 2.44 | 2.54 | 2.65 | 2.94 | 1.06 | 1.00 | 1.37 |
| 100K-125K | 15.25 | 12.75 | 3.13 | 2.90 | 3.30 | 3.43 | 3.86 | 1.62 | 1.50 | 1.80 |
| 150K-200K | 19.25 | 15.25 | 4.00 | 3.80 | 4.44 | 5.12 | 5.80 | 1.62 | 2.00 | 2.37 |



65058 w/ TSA



### TSA Sensortronics, truck scale assembly

Mounting assembly is cast iron.

| Part Number | Capacity           | Weight | SKU  | List      |
|-------------|--------------------|--------|------|-----------|
| 5825        | 10,000 - 25,000 lb | 42 lb  | 1388 | \$ 831.93 |
| 5875        | 40,000 - 75,000 lb | 81 lb  | 1389 | 1,840.33  |

### Service Parts

|               |                    |       |      |        |
|---------------|--------------------|-------|------|--------|
| Link for 5825 | 10,000 - 25,000 lb | 5 lb  | 1308 | 323.00 |
| Link for 5875 | 40,000 - 75,000 lb | 12 lb | 1309 | 432.00 |



## Lodec truck load cell

High accuracy on board load cell for use in truck mounted seals. Sealed for all weather environments.

0.5 mv/v 350/350 ohm, 7 pin connector, nickel plated steel, IP67

| Part Number | Capacity  | Weight | SKU  | List        |
|-------------|-----------|--------|------|-------------|
| 8300420-10R | 30,000 lb | 44 lb  | 6771 | \$ 1,551.00 |



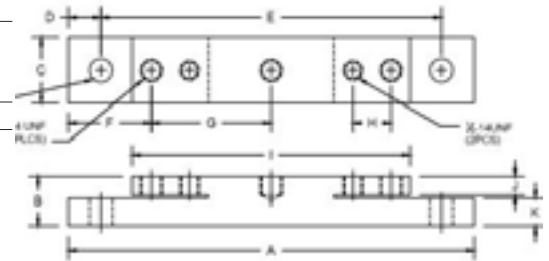
Lodec 8300420-10R

### Dimensions in inches

| Capacity | A     | B    | C    | D    | E     |
|----------|-------|------|------|------|-------|
| Lodec    | 22.62 | 2.31 | 3.00 | 1.50 | 19.62 |

### Dimensions in inches

| Capacity | F    | G    | H    | I     | J    | K    |
|----------|------|------|------|-------|------|------|
| Lodec    | 3.81 | 7.50 | 1.75 | 16.75 | 0.88 | 1.29 |



## Lodec Truck Load Cell

High accuracy on board load cell for use in truck mounted seals. Sealed for all weather environments.

0.5 mv/v 350/350 ohm, 7 pin connector on 3' pigtail, nickel plated steel, IP67

| Part Number | Capacity  | Weight   | SKU  | List        |
|-------------|-----------|----------|------|-------------|
| 8300610-13R | 30,000 lb | 11.48 lb | 6411 | \$ 1,128.00 |



Lodec 8300610-13R

## CG-ML1200 Coti Global truck load cell

2.0 mv/v 700 ohm input, 700 ohm output, 35 ft 4 wire cable, nickel plated steel, IP67

| Part Number     | Capacity  | Weight   | SKU  | List        |
|-----------------|-----------|----------|------|-------------|
| CG-ML1200-12.5K | 12,500 lb | 22 lb    | 2229 | \$ 1,058.75 |
| CG-ML1200-25K   | 25,000 lb | 22 lb    | 2230 | 1,212.75    |
| CG-ML1200-40K   | 40,000 lb | 21.36 lb | 2231 | 1,539.99    |
| CG-ML1200-75K   | 75,000 lb | 21.36 lb | 2232 | 1,539.99    |



Coti CG-ML1200-75K

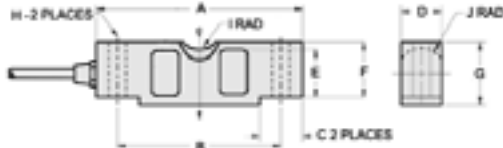
Prices are subject to change without notice. Please call for current prices.

Other items are available from the manufacturers, please call for quote.

# Truck



TDE58



## TDE58 Totalcomp, beam only

Interchangeable with Sensortronics 65058.

3 mv/v, 700/700 ohms, 50 ft 4 wire cable, nickel plated steel, IP67.

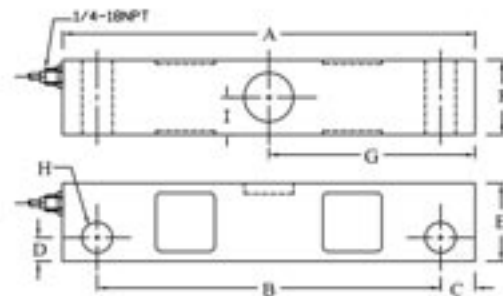
| Part Number | Capacity  | Weight | SKU  | List      |
|-------------|-----------|--------|------|-----------|
| TDE58-10K   | 10,000 lb | 7 lb   | 4662 | \$ 555.00 |
| TDE58-20K   | 20,000 lb | 7 lb   | 4663 | 555.00    |
| TDE58-25K   | 25,000 lb | 7 lb   | 4664 | 555.00    |
| TDE58-40K   | 40,000 lb | 14 lb  | 4665 | 700.00    |
| TDE58-50K   | 50,000 lb | 19 lb  | 4666 | 700.00    |
| TDE58-60K   | 60,000 lb | 19 lb  | 4667 | 700.00    |
| TDE58-75K   | 75,000 lb | 19 lb  | 4668 | 700.00    |

### Dimensions in inches

| Capacity | A     | B    | C    | D    | E    | F    | G    | H    | I    | J    |
|----------|-------|------|------|------|------|------|------|------|------|------|
| 10K-25K  | 7.75  | 6.50 | 1.38 | 1.69 | 1.63 | 1.70 | 1.94 | 0.68 | 0.75 | 0.90 |
| 40K      | 10.25 | 8.50 | 1.93 | 1.94 | 2.00 | 2.10 | 2.44 | 0.81 | 1.00 | 1.12 |
| 50K-75K  | 10.25 | 8.50 | 1.93 | 2.44 | 2.54 | 2.65 | 2.94 | 1.06 | 1.00 | 1.37 |



TB32



## TB32 Totalcomp, beam only

Interchangeable with Epelsa LC32 (STR) double ended beam load cells. Load cell has load button installed.

3 mv/v, 700/700 ohm, 50 ft cable, nickel plated steel, IP67.

| Part Number | Capacity  | Weight | SKU  | List      |
|-------------|-----------|--------|------|-----------|
| TB32-40K    | 40,000 lb | 14 lb  | 1709 | \$ 905.52 |
| TB32-50K    | 50,000 lb | 14 lb  | 1710 | 905.52    |

### Dimensions in inches

| Capacity | A     | B    | C    | D    | E    | F    | G    | H    |
|----------|-------|------|------|------|------|------|------|------|
| 40-50K   | 10.50 | 8.75 | 0.88 | 0.61 | 2.00 | 1.91 | 5.25 | 0.78 |

## TDE40 Totalcomp

Replacement for CMI Truck Scale load cells. Interchangeable with Sensortronics 65040, Airway AW900.  
3 mv/v, 700/700 ohms, 35 ft 4 wire cable, nickel plated steel, IP67.

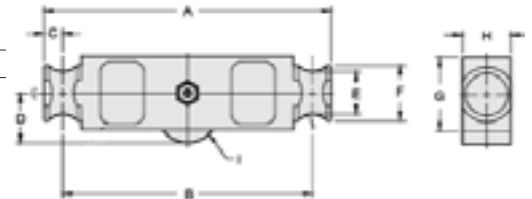
| Part Number                   | Capacity   | Weight | SKU  | List      |
|-------------------------------|------------|--------|------|-----------|
| TDE40-25K                     | 25,000 lb  | 16 lb  | 208  | \$ 784.80 |
| TDE40-40K                     | 40,000 lb  | 16 lb  | 541  | 871.53    |
| TDE40-50K-SE                  | 50,000 lb  | 16 lb  | 4187 | 871.53    |
| Small envelope w/120 ft cable |            |        |      |           |
| TDE40-50K                     | 50,000 lb  | 19 lb  | 542  | 871.53    |
| TDE40-60K                     | 60,000 lb  | 19 lb  | 543  | 871.53    |
| TDE40-75K                     | 75,000 lb  | 19 lb  | 545  | 871.53    |
| TDE40-100K                    | 100,000 lb | 45 lb  | 2012 | 1,676.18  |
| TDE40-125K                    | 125,000 lb | 45 lb  | 2013 | 1,676.18  |



TDE40

### Dimensions in inches

| Capacity  | A     | B     | C    | D    | E    | F    | G    | H    | I    | J    |
|-----------|-------|-------|------|------|------|------|------|------|------|------|
| 25K-40K   | 8.25  | 7.25  | 0.50 | 1.75 | 1.63 | 2.00 | 2.44 | 1.94 | 0.50 | 0.50 |
| 50K-75K   | 11.50 | 10.00 | 0.75 | 2.00 | 1.70 | 2.20 | 2.94 | 1.94 | 1.00 | 0.75 |
| 100K-125K | 14.50 | 12.50 | 1.00 | 2.75 | 2.44 | 3.20 | 3.86 | 2.90 | 1.50 | 1.00 |



## TDE23 Totalcomp, beam only

Interchangeable with RTI Model 5223  
3 mv/v, 700/700 ohm, 35 ft 4 wire cable, nickel plated steel w/welded covers, IP67.

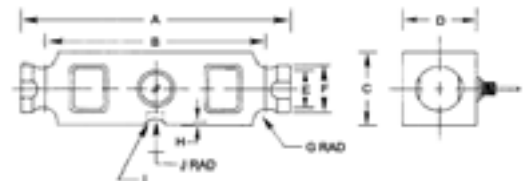
| Part Number | Capacity  | Weight | SKU  | List      |
|-------------|-----------|--------|------|-----------|
| TDE23-50K   | 50,000 lb | 21 lb  | 2016 | \$ 895.57 |



TDE23

### Dimensions in inches

| Capacity | A     | B     | C    | D    | E    | F    | G    | H    | I    | J    |
|----------|-------|-------|------|------|------|------|------|------|------|------|
| 20K-40K  | 8.25  | 7.25  | 2.44 | 1.94 | 1.63 | 2.00 | 0.50 | 0.25 | 0.75 | 0.50 |
| 50K-150K | 10.25 | 8.50  | 2.90 | 2.90 | 2.05 | 2.40 | 1.00 | 0.25 | 0.75 | 1.00 |
| 200K     | 11.50 | 10.00 | 3.40 | 3.40 | 2.35 | 2.75 | 1.50 | 0.40 | 0.75 | 1.50 |



# Truck



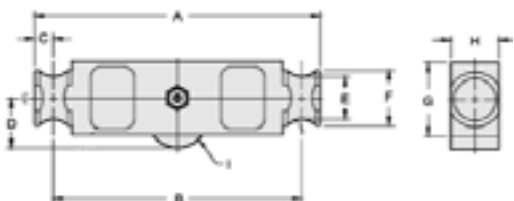
65040



## 65040 Sensortronics

Replacement for CMI Truck Scale load cells and Thurman TSC840 load cells.  
3 mv/v, 700/700 ohms, 35 ft 4 wire cable, nickel plated steel, IP67.  
NTEP Legal for Trade 86-045

| Part Number                 | Capacity   | Weight | SKU  | List      |
|-----------------------------|------------|--------|------|-----------|
| 65040A-25K                  | 25,000 lb  | 17 lb  | 1276 | \$ 784.80 |
| 65040A-40K                  | 40,000 lb  | 17 lb  | 1278 | 871.53    |
| 65040A-50K (Small Envelope) | 50,000 lb  | 17 lb  | 4186 | 871.53    |
| 65040A-50K                  | 50,000 lb  | 18 lb  | 1280 | 871.53    |
| 65040A-60K                  | 60,000 lb  | 18 lb  | 50   | 871.53    |
| 65040A-75K                  | 75,000 lb  | 18 lb  | 1286 | 871.53    |
| 65040A-100K                 | 100,000 lb | 60 lb  | 1559 | 1,676.18  |
| 65040A-125K                 | 125,000 lb | 60 lb  | 1562 | 1,676.18  |



### Dimensions in inches

| Capacity  | A     | B     | C    | D    | E    | F    | G    | H    | I    | J    |
|-----------|-------|-------|------|------|------|------|------|------|------|------|
| 25K-40K   | 8.25  | 7.25  | 0.50 | 1.75 | 1.63 | 2.00 | 2.44 | 1.94 | 0.50 | 0.50 |
| 50K-75K   | 11.50 | 10.00 | 0.75 | 2.00 | 1.70 | 2.20 | 2.94 | 1.94 | 1.00 | 0.75 |
| 100K-125K | 14.50 | 12.50 | 1.00 | 2.75 | 2.44 | 3.20 | 3.86 | 2.90 | 1.50 | 1.00 |

# Truck

## 65058-SS Scentroidronics, beam only

3 mv/v, 700/700 ohms, 25 ft 4 wire cable, stainless steel, w/welded gauge cover caps, IP67.

NTEP Legal for Trade 86-046

| Part Number   | Capacity  | Weight | SKU  | List      |
|---------------|-----------|--------|------|-----------|
| 65058S-20K-SS | 20,000 lb | 9 lb   | 2095 | \$ 844.36 |
| 65058S-25K-SS | 25,000 lb | 9 lb   | 2096 | 724.19    |
| 65058S-40K-SS | 40,000 lb | 11 lb  | 2098 | 1,168.00  |
| 65058S-50K-SS | 50,000 lb | 19 lb  | 2099 | 1,168.00  |
| 65058S-60K-SS | 60,000 lb | 19 lb  | 2100 | 1,168.00  |
| 65058S-75K-SS | 75,000 lb | 19 lb  | 2101 | 1,166.22  |

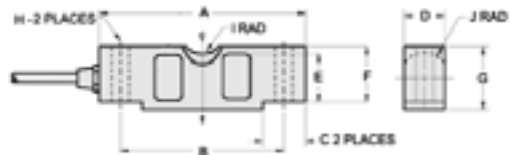


65058-SS



### Dimensions in inches

| Capacity  | A     | B     | C    | D    | E    | F    | G    | H    | I    | J    |
|-----------|-------|-------|------|------|------|------|------|------|------|------|
| 10K-25K   | 7.75  | 6.50  | 1.38 | 1.69 | 1.63 | 1.70 | 1.94 | 0.68 | 0.75 | 0.90 |
| 40K       | 10.25 | 8.50  | 1.93 | 1.94 | 2.00 | 2.10 | 2.44 | 0.81 | 1.00 | 1.12 |
| 50K-75K   | 10.25 | 8.50  | 1.93 | 2.44 | 2.54 | 2.65 | 2.94 | 1.06 | 1.00 | 1.37 |
| 100K-125K | 15.25 | 12.75 | 3.13 | 2.90 | 3.30 | 3.43 | 3.86 | 1.62 | 1.50 | 1.80 |
| 150K-200K | 19.25 | 15.25 | 4.00 | 3.80 | 4.44 | 5.12 | 5.80 | 1.62 | 2.00 | 2.37 |



## 65061 Scentroidronics, beam only

Interchangeable with Fairbanks Rodan Truck scale load cells. Load cell does not have a load button. It must be ordered separately or the existing button may be used.

3 mv/v, 700/700 ohm, 35 ft cable, nickel plated steel or stainless steel, IP67.

NTEP Legal for Trade 87-053

| Part Number                | Fairbanks | Capacity  | Weight | SKU  | List        |
|----------------------------|-----------|-----------|--------|------|-------------|
| <b>Nickel plated steel</b> |           |           |        |      |             |
| 65061A-40K-1000            | 90814-60  | 40,000 lb | 17 lb  | 4051 | \$ 1,185.03 |
| 65061A-50K-1000            | 91088-60  | 50,000 lb | 17 lb  | 4052 | 1,185.03    |

### Stainless steel

|                 |      |           |       |      |          |
|-----------------|------|-----------|-------|------|----------|
| 65061S-50K-1107 | ---- | 50,000 lb | 19 lb | 6064 | 1,487.04 |
|-----------------|------|-----------|-------|------|----------|

### Service Parts

|                                |  |  |      |      |       |
|--------------------------------|--|--|------|------|-------|
| 61733 Load button w/ 54798 pin |  |  | 2 lb | 6212 | 92.30 |
| 61729 Load pin                 |  |  | 3 lb | 6213 | 68.60 |
| 61770 Support pin (2) per cell |  |  | 2 lb | 6214 | 48.00 |
| 61833 Bushing (4) per cell     |  |  | 1 lb | 6215 | 53.65 |



65061



Load Pin



Bushing



Load Button



Support Pin

Prices are subject to change without notice. Please call for current prices.

Other items are available from the manufacturers, please call for quote.

13-01 Pollitt Dr Ext  
Fair Lawn NJ 07410  
201-797-2718

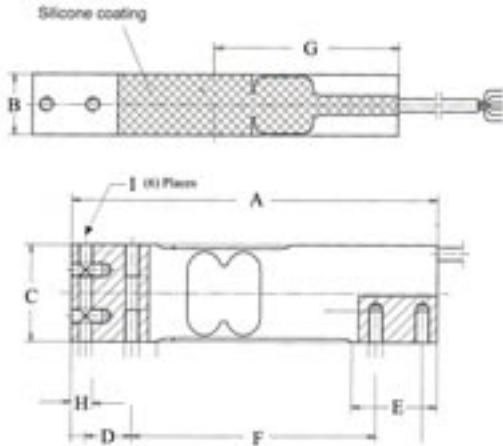
**Totalcomp**  
Components

www.totalcomp.com  
sales@totalcomp.com  
Fax 201-797-2287

# Single Point



TP40  
Interchanges 1040



## TP40 Totalcomp

Interchangeable with Tedeo Model 1040. Mounting screws are 1/4-20 UNC(coarse) with 3/4" spacing on both top and bottom.  
2 mv/v, 350/350 ohm, 10 ft 6 wire cable, anodized aluminum, IP67.

| Part Number | Capacity | Nominal | Weight | SKU  | List      |
|-------------|----------|---------|--------|------|-----------|
| TP40-7kg    | 7 kg     | 15 lb   | 2 lb   | 3056 | \$ 159.00 |
| TP40-10kg   | 10 kg    | 20 lb   | 2 lb   | 3057 | 167.00    |
| TP40-15kg   | 15 kg    | 30 lb   | 2 lb   | 3058 | 1678.00   |
| TP40-20kg   | 20 kg    | 40 lb   | 2 lb   | 3059 | 167.00    |
| TP40-30kg   | 30 kg    | 60 lb   | 2 lb   | 3060 | 167.00    |
| TP40-50kg   | 50 kg    | 100 lb  | 2 lb   | 3061 | 159.00    |
| TP40-75kg   | 75 kg    | 150 lb  | 2 lb   | 3062 | 159.00    |
| TP40-100kg  | 100 kg   | 200 lb  | 2 lb   | 3063 | 201.00    |
| TP40-200kg  | 200 kg   | 400 lb  | 2 lb   | 6479 | 183.00    |

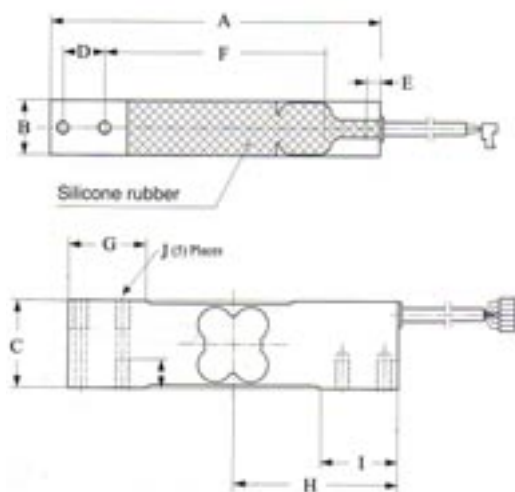
### Dimensions in inches

| Capacity  | A    | B    | C    | D    | E    | F    | G    | H    | I          |
|-----------|------|------|------|------|------|------|------|------|------------|
| 7kg-200kg | 5.90 | 0.79 | 1.00 | 0.75 | 0.75 | 3.94 | 2.95 | 0.22 | 1/4-20 UNC |

Single point



TP40-SS  
Interchanges 1140



## TP40-SS Totalcomp

Interchangeable with Tedeo Model 1140. Mounting screws are 1/4-20 UNC(coarse) with 3/4" spacing on both top and bottom. Used in hostile, corrosive and high shock environments.

2 mv/v, 350/350 ohm, 10 ft 6 wire cable, **stainless steel**, IP67.

| Part Number   | Capacity | Nominal | Weight | SKU  | List      |
|---------------|----------|---------|--------|------|-----------|
| TP40-10kg-SS  | 10 kg    | 20 lb   | 3 lb   | 3065 | \$ 442.00 |
| TP40-15kg-SS  | 15 kg    | 30 lb   | 3 lb   | 3066 | 374.00    |
| TP40-20kg-SS  | 20 kg    | 40 lb   | 3 lb   | 3067 | 442.00    |
| TP40-30kg-SS  | 30 kg    | 60 lb   | 3 lb   | 3068 | 385.00    |
| TP40-50kg-SS  | 50 kg    | 100 lb  | 3 lb   | 3069 | 367.00    |
| TP40-75kg-SS  | 75 kg    | 150 lb  | 3 lb   | 3070 | 431.00    |
| TP40-100kg-SS | 100 kg   | 200 lb  | 3 lb   | 3071 | 367.00    |
| TP40-150kg-SS | 150 kg   | 300 lb  | 3 lb   | 6187 | 431.00    |

### Dimensions in inches

| Capacity  | A    | B    | C    | D    | E    | F    | G    | H    | I    | J          |
|-----------|------|------|------|------|------|------|------|------|------|------------|
| 7kg-200kg | 5.90 | 0.79 | 1.00 | 0.75 | 0.75 | 3.94 | 0.25 | 2.95 | 1.37 | 1/4-20 UNC |

Prices are subject to change without notice. Please call for current prices.

Other items are available from the manufacturers, please call for quote.

# Single Point

## TSP51 Totalcomp

Replacement for Sensortronics Model 60051. Mounting screws are 1/4- 28 UNF(fine) with 3/4" spacing on both top and bottom.  
2 mv/v, 380/350 ohms, 10 ft 4 wire cable, **stainless steel**, IP67.

| Part Number  | Capacity | Weight | SKU | List      |
|--------------|----------|--------|-----|-----------|
| TSP51-10 lb  | 10 lb    | 2 lb   | 204 | \$ 354.59 |
| TSP51-15 lb  | 15 lb    | 2 lb   | 205 | 354.59    |
| TSP51-25 lb  | 25 lb    | 2 lb   | 426 | 354.59    |
| TSP51-50 lb  | 50 lb    | 3 lb   | 258 | 462.00    |
| TSP51-100 lb | 100 lb   | 3 lb   | 215 | 462.00    |
| TSP51-200 lb | 200 lb   | 3 lb   | 214 | 462.00    |



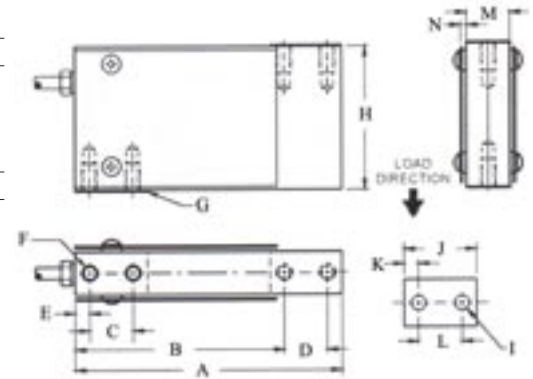
TSP51

### Dimensions in inches

| Capacity   | A    | B    | C    | D    | E    | F          | G    | H    |
|------------|------|------|------|------|------|------------|------|------|
| 10lb-25lb  | 4.63 | 3.63 | 0.75 | 0.75 | 0.25 | 1/4-20 UNC | 0.25 | 2.50 |
| 50lb-200lb | 4.63 | 3.63 | 0.75 | 0.75 | 0.25 | 1/4-20 UNC | 0.25 | 2.50 |

### Dimensions in inches

| Capacity   | I    | J    | K    | L    | M    | N    |
|------------|------|------|------|------|------|------|
| 10lb-25lb  | 0.25 | 1.25 | 0.25 | 0.75 | 0.50 | 0.10 |
| 50lb-200lb | 0.25 | 1.25 | 0.25 | 0.75 | 0.75 | 0.10 |



Single point

## T1241 Totalcomp

Interchangeable w/ TedeA 1241 and General Sensor GS1241  
2 mv/v, 406/350 ohms, 5m 6 wire cable, anodized aluminum, potted. IP67.

| Part Number        | Capacity | Nominal | Weight | SKU  | List      |
|--------------------|----------|---------|--------|------|-----------|
| T1241-50kg         | 50 kg    | 100 lb  | 2 lb   | 8359 | \$ 348.00 |
| T1241-100kg        | 100 kg   | 200 lb  | 2 lb   | 8360 | 348.00    |
| T1241-150kg        | 150 kg   | 300 lb  | 2 lb   | 8361 | 348.00    |
| T1241-200kg        | 200 kg   | 400 lb  | 2 lb   | 8362 | 348.00    |
| T1241-250kg        | 250 kg   | 500 lb  | 2 lb   | 8363 | 348.00    |
| T1241-P-250kg *    | 250 kg   | 500 lb  | 2 lb   | 2520 | 348.00    |
| T1241-P-250kg LP * | 250 kg   | 500 lb  | 2 lb   | 2521 | 348.00    |

\* Metric thread mounting holes

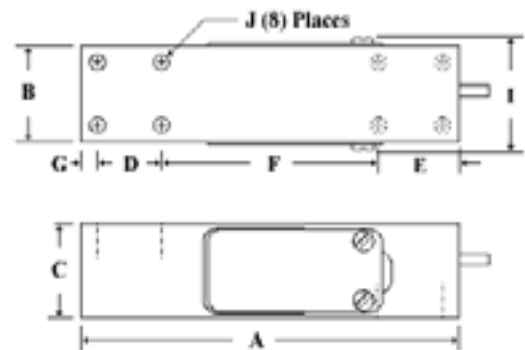
### Dimensions in inches

| Capacity    | A    | B    | C    | D    | E    | F    | G    | J         |
|-------------|------|------|------|------|------|------|------|-----------|
| 50kg-250kg  | 5.91 | 1.50 | 1.57 | 1.00 | 1.00 | 3.41 | 0.25 | 1/4-20UNC |
| 250kg LP ** | 5.91 | 1.50 | 1.49 | 1.00 | 1.00 | 3.41 | 0.25 | 1/4-20UNC |

\*\* LP = Low profile 0.08 " shorter



T1241



Prices are subject to change without notice. Please call for current prices.

Other items are available from the manufacturers, please call for quote.

13-01 Pollitt Dr Ext  
Fair Lawn NJ 07410  
201-797-2718

**Totalcomp**  
Components

www.totalcomp.com  
sales@totalcomp.com  
Fax 201-797-2287

# Single Point



TP-MK4

## TP-MK4D Totalcomp

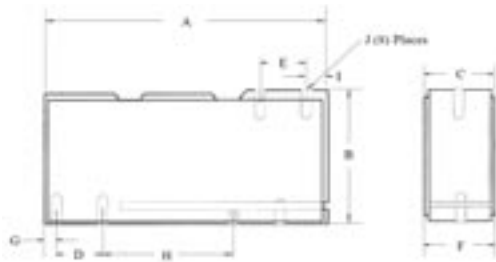
Interchangeable with NCI Model MK 4 load cells. Top has (2)1/4-20 mtg holes with 3/4" spacing. Bottom has (3)1/4-20 mtg holes with 3/4" & 2" spacing. Overload stops for both compression and tension loads.

2 mv/v, 350/350 ohms, 10 ft 4 wire cable, nickel plated steel, IP67.

| Part Number | Capacity | Weight | SKU | List      |
|-------------|----------|--------|-----|-----------|
| TP-MK4D-25  | 25 lb    | 3 lb   | 656 | \$ 468.00 |

### Dimensions in inches

| Capacity | A    | B    | C    | D    | E    | F    | G    | H    | I    | J          |
|----------|------|------|------|------|------|------|------|------|------|------------|
| 50-2000  | 4.75 | 2.50 | 1.00 | 0.75 | 0.75 | 1.26 | 0.25 | 2.00 | 0.25 | 1/4-20 MTG |



TP-MK4D-SS

## TP-MK4D-SS Totalcomp

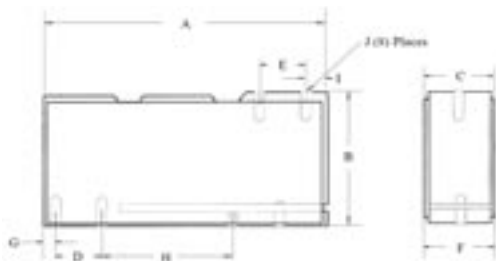
Interchangeable with NCI Model MK 4 load cells. Top has (2)1/4-20 mtg holes with 3/4" spacing. Bottom has (3)1/4-20 mtg holes with 3/4" & 2" spacing. Overload stops for both compression and tension loads.

2 mv/v, 350/350 ohms, 10 ft 4 wire cable, **stainless steel**, IP67.

| Part Number    | Capacity | Weight | SKU  | List      |
|----------------|----------|--------|------|-----------|
| TP-MK4D-10-SS  | 10 lb    | 3 lb   | 2428 | \$ 557.87 |
| TP-MK4D-15-SS  | 15 lb    | 3 lb   | 2429 | 557.87    |
| TP-MK4D-25-SS  | 25 lb    | 3 lb   | 2430 | 557.87    |
| TP-MK4D-30-SS  | 30 lb    | 3 lb   | 2431 | 557.87    |
| TP-MK4D-50-SS  | 50 lb    | 3 lb   | 2432 | 557.87    |
| TP-MK4D-100-SS | 100 lb   | 3 lb   | 2433 | 557.87    |

### Dimensions in inches

| Capacity | A    | B    | C    | D    | E    | F    | G    | H    | I    | J          |
|----------|------|------|------|------|------|------|------|------|------|------------|
| 50-2000  | 4.75 | 2.50 | 1.00 | 0.75 | 0.75 | 1.26 | 0.25 | 2.00 | 0.25 | 1/4-20 MTG |





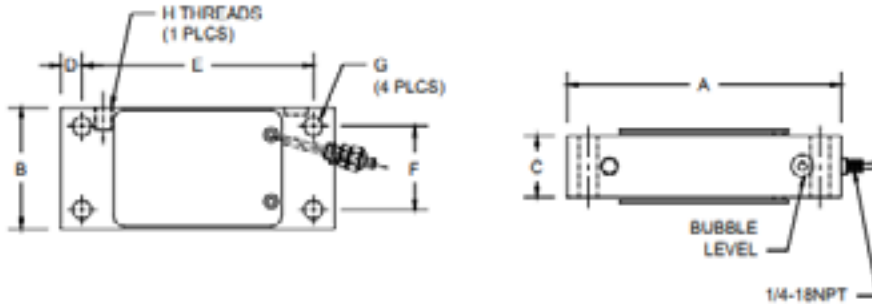
## TP-FLS Totalcomp

Interchangeable with Weigh-Tronix FLS single point load cell. (4) mounting holes 0.453" dia. 2" vertical spacing. 5.5" horizontal spacing, center to center. Over 250 lb has larger envelope 8" x 3.75" with hole spacing 7" x 2.75". Overall 6.5" x 2.9" high. 1 mv/v, 400/350 ohms, 10 ft 4 wire cable, stainless steel, IP67.

| Part Number  | Weigh-Tronix | Capacity | Weight  | SKU  | List      |
|--|--------------|----------|---------|------|-----------|
| TP-FLS-30  |              | 30 lb    | 4 lb    | 4204 | \$ 635.25 |
| TP-FLS-50  |              | 50 lb    | 4 lb    | 4205 | 635.25    |
| TP-FLS-75  | 49098-0067   | 75 lb    | 4 lb    | 4573 | 734.00    |
| TP-FLS-125   | 49098-0075   | 125 lb   | 7 lb    | 4206 | 635.25    |
| TP-FLS-250   | 49098-0042   | 250 lb   | 7 lb    | 4207 | 635.25    |
| TP-FLS-625-SE  |              | 625 lb   | 5.51 lb | 4208 | 625.00    |
| SE is small envelope. Same size as 125 and 250 lb capacities |              |          |         |      |           |
| TP-FLS-625   | 49100-0022   | 625 lb   | 9 lb    | 4209 | 866.25    |

### Dimensions in inches

| RATED CAPACITY | DIMENSIONS |      |      |      |      |      |      |                   |
|----------------|------------|------|------|------|------|------|------|-------------------|
|                | A          | B    | C    | D    | E    | F    | G    | H                 |
| 50lb           | 6.50       | 2.90 | 0.74 | 0.50 | 5.50 | 2.00 | 0.45 | 5/16-18UNCx0.50dp |
| 125-250lb      | 6.50       | 2.90 | 1.46 | 0.50 | 5.50 | 2.00 | 0.45 | 5/16-18UNCx0.50dp |
| 625lb          | 8.00       | 3.75 | 1.91 | 0.50 | 7.00 | 2.75 | 0.52 |                   |



TP-FLS

## TP462 Totalcomp

Interchangeable with RTI Model 462. 2 mv/v, 350/350 ohms, 10 ft 4 wire cable, aluminum, IP67.

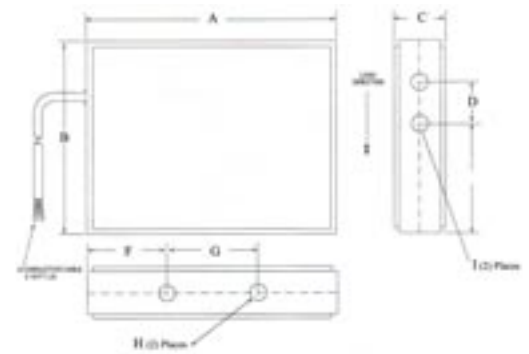
| Part Number | Capacity | Weight | SKU  | List      |
|-------------|----------|--------|------|-----------|
| TP462-5     | 5 lb     | 2 lb   | 1236 | \$ 524.59 |
| TP462-10    | 10 lb    | 2 lb   | 1237 | 558.03    |
| TP462-20    | 20 lb    | 2 lb   | 1238 | 558.03    |
| TP462-50    | 50 lb    | 3 lb   | 1239 | 608.19    |
| TP462-100   | 100 lb   | 3 lb   | 1240 | 608.19    |



TP462

### Dimensions in inches

| Capacity  | A    | B    | C    | D    | E    | F    | G    | H          | I           |
|-----------|------|------|------|------|------|------|------|------------|-------------|
| 5-20 lb   | 5.11 | 4.00 | 1.24 | 0.75 | 2.60 | 1.68 | 2.20 | 3/8-24 UNF | 1/4-28 x .5 |
| 50-100 lb | 6.00 | 4.68 | 1.24 | 1.00 | 2.60 | 1.90 | 2.20 | 3/8-24 UNF | 1/4-28 x .5 |
| 250 lb    | 6.00 | 4.00 | 1.24 | 1.50 | 2.35 | 1.90 | 2.20 | 3/8-24 UNF | 1/4-28 x .5 |



Prices are subject to change without notice. Please call for current prices.

Other items are available from the manufacturers, please call for quote.

# Single Point



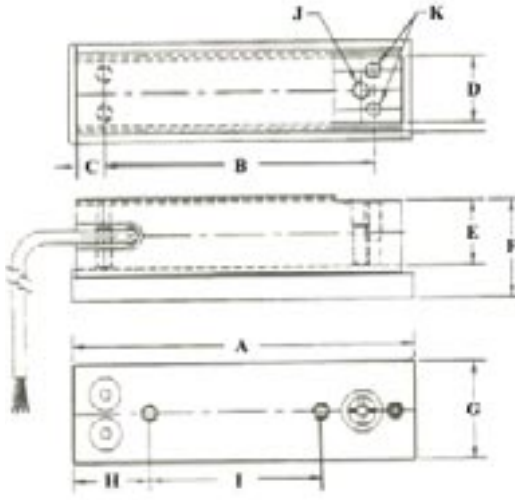
TP-MK21

## TP-MK21 Totalcomp

Replacement for NCI Model MK-21 used in NCI Model 3270 scale.  
2 mv/v, 350/350 ohms, 10 ft 4 wire cable, **stainless steel**, IP67.

| Part Number | Capacity | Nominal | Weight | SKU  | List      |
|-------------|----------|---------|--------|------|-----------|
| TP-MK21-4.5 | 4.5 kg   | 10 lb   | 3 lb   | 1608 | \$ 571.73 |
| TP-MK21-7.5 | 7.5 kg   | 15 lb   | 3 lb   | 1609 | 571.73    |
| TP-MK21-18  | 18 kg    | 40 lb   | 3 lb   | 1610 | 571.73    |
| TP-MK21-35  | 35 kg    | 75 lb   | 3 lb   | 1611 | 571.73    |
| TP-MK21-50  | 50 kg    | 100 lb  | 3 lb   | 926  | 571.73    |

Single point



### Dimensions in inches

| Capacity | A    | B    | C    | D    | E    | F    | G    | H    |
|----------|------|------|------|------|------|------|------|------|
| 4.5-50kg | 5.25 | 4.10 | 0.44 | 1.00 | 1.00 | 1.50 | 1.50 | 1.20 |

### Dimensions in inches continued

| Capacity | I    | J          | K          |
|----------|------|------------|------------|
| 4.5-50kg | 2.60 | 1/4-28 UNF | 1/4-28 UNF |

# Single Point

## TFB Totalcomp

Replacement for Fairbanks Series 7 base model 70-4050-2.  
2 mv/v, 350/350 ohm, 18" 4 wire cable, beryllium copper, IP67.

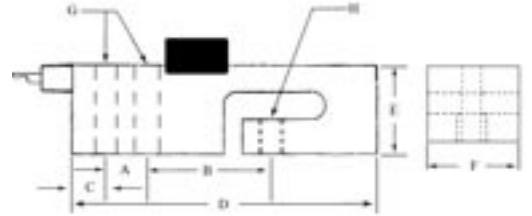
| Part Number | Fairbanks | Capacity | Weight | SKU | List      |
|-------------|-----------|----------|--------|-----|-----------|
| TFB-50 kg   | 13080     | 50 kg    | 1 lb   | 869 | \$ 570.00 |



TFB-50 kg

## Dimensions in inches

| Capacity | A    | B      | C    | D    | E   | F    | G   | H    |
|----------|------|--------|------|------|-----|------|-----|------|
| 50kg     | 0.50 | 1-5/16 | 3/16 | 3.00 | 5/8 | 0.75 | 1/8 | 8-32 |



Single point

Prices are subject to change without notice. Please call for current prices.

Other items are available from the manufacturers, please call for quote.

13-01 Pollitt Dr Ext  
Fair Lawn NJ 07410  
201-797-2718

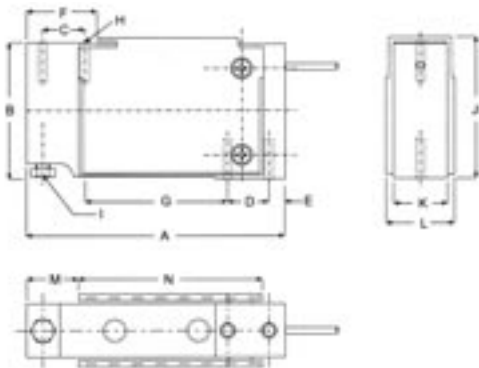
 **Totalcomp**  
Components

www.totalcomp.com  
sales@totalcomp.com  
Fax 201-797-2287

# Single Point



1010



## 1010 Tedeo

Interchangeable with Toledo model 773. Replacement for Electroscale 438, 920, 925, General 4535, MLC SS, NCI MK16, 3250, 8205, 5800, 3800. Mounting screws are 1/4-20 UNC(coarse) with 3/4" spacing on both top and bottom. These cells have a unique humid-ity resistant protective coating assures long term stability even under harsh environment and extreme temperatures.

2 mv/v, 415/350 ohms, 1 m 6 wire cable, anodized aluminum, IP65

NTEP Legal for Trade 89-074

| Part Number | Capacity | Nominal | Weight | SKU | List      |
|-------------|----------|---------|--------|-----|-----------|
| 1010-3 *    | 3 kg     | 6 lb    | 2 lb   | 593 | \$ 197.51 |
| 1010-5      | 5 kg     | 10 lb   | 2 lb   | 332 | 197.51    |
| 1010-7      | 7 kg     | 15 lb   | 2 lb   | 333 | 197.51    |
| 1010-10     | 10 kg    | 20 lb   | 2 lb   | 334 | 197.51    |
| 1010-15     | 15 kg    | 30 lb   | 2 lb   | 335 | 197.51    |
| 1010-20     | 20 kg    | 40 lb   | 2 lb   | 336 | 197.51    |
| 1010-30     | 30 kg    | 60 lb   | 2 lb   | 337 | 197.51    |
| 1010-50     | 50 kg    | 100 lb  | 2 lb   | 338 | 197.51    |
| 1010-90 *   | 90 kg    | 180 lb  | 2 lb   | 595 | 197.51    |

\* Not NTEP

### Dimensions in inches

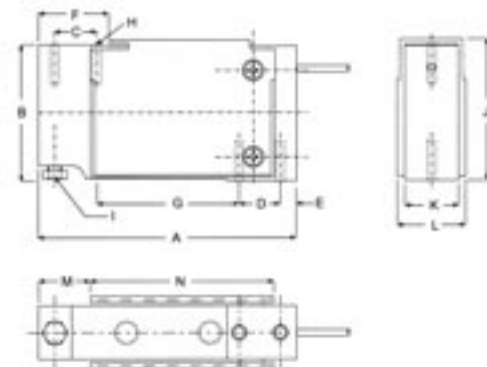
| Capacity | A    | B    | C    | D    | E    | F    | G    | H    | I        | J    |
|----------|------|------|------|------|------|------|------|------|----------|------|
| 3kg-90kg | 4.64 | 2.48 | 0.75 | 0.75 | 0.29 | 1.26 | 2.55 | 1.26 | M6 x 1.0 | 2.59 |

### Dimensions in inches

| Capacity | K    | L    | M    | N    |
|----------|------|------|------|------|
| 3kg-90kg | 1.00 | 1.34 | 0.98 | 3.15 |



1015



## 1015 Tedeo

Interchangeable with Toledo model 773. Replacement for Electroscale 438, 920, 925, General 4535, MLC SS, NCI MK16, 3250, 8205, 5800, 3800. Mounting screws are 1/4-20 UNC(coarse) with 3/4" spacing on both top and bottom. These cells have a unique humid-ity resistant protective coating assures long term stability even under harsh environment and extreme temperatures.

2 mv/v, 415/350 ohms, 3 m 6 wire cable, anodized aluminum, IP65

NTEP Legal for Trade 89-074

| Part Number | Capacity | Nominal | Weight | SKU | List      |
|-------------|----------|---------|--------|-----|-----------|
| 1015-3 *    | 3 kg     | 6 lb    | 3 lb   | 738 | \$ 207.96 |
| 1015-5      | 5 kg     | 10 lb   | 3 lb   | 739 | 207.96    |
| 1015-7      | 7 kg     | 15 lb   | 3 lb   | 740 | 207.96    |
| 1015-10     | 10 kg    | 20 lb   | 3 lb   | 741 | 207.96    |
| 1015-15     | 15 kg    | 30 lb   | 3 lb   | 742 | 207.96    |
| 1015-20     | 20 kg    | 40 lb   | 3 lb   | 743 | 207.96    |
| 1015-30     | 30 kg    | 60 lb   | 3 lb   | 744 | 207.96    |
| 1015-50     | 50 kg    | 100 lb  | 3 lb   | 745 | 207.96    |
| 1015-90 *   | 90 kg    | 180 lb  | 3 lb   | 746 | 207.96    |

\* Not NTEP

Prices are subject to change without notice. Please call for current prices.

Other items are available from the manufacturers, please call for quote.

# Single Point

## 1022 Tedeá

Interchangeable with NMB C2G1, Scaime EP, Toledo 0765, General Sensor GC2G1.  
 M6 thread mounting holes on all capacities.  
 2 mv/v, 415/350 ohms, 10 ft 4 wire cable, anodized aluminum.  
 NTEP Legal for Trade 96-122

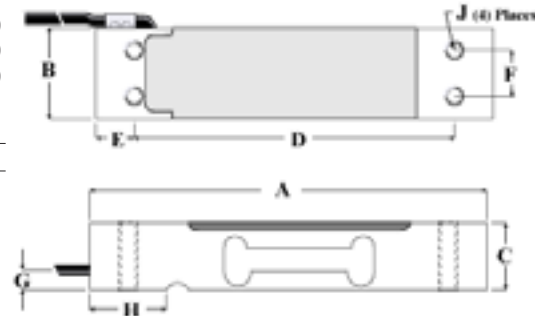
| Part Number | Capacity | Nominal | Weight | SKU  | List      |
|-------------|----------|---------|--------|------|-----------|
| 1022-3kg    | 3 kg     | 6 lb    | 1 lb   | 4196 | \$ 148.39 |
| 1022-5kg    | 5 kg     | 10 lb   | 1 lb   | 4197 | 148.39    |
| 1022-7kg    | 7 kg     | 14 lb   | 1 lb   | 4198 | 148.39    |
| 1022-10kg   | 10 kg    | 20 lb   | 1 lb   | 4199 | 148.39    |
| 1022-15kg   | 15 kg    | 30 lb   | 1 lb   | 4200 | 148.39    |
| 1022-20kg   | 20 kg    | 40 lb   | 1 lb   | 4201 | 148.39    |
| 1022-30kg   | 30 kg    | 60 lb   | 1 lb   | 4202 | 148.39    |
| 1022-35kg   | 35 kg    | 70 lb   | 1 lb   | 4203 | 148.39    |
| 1022-50kg   | 50 kg    | 100 lb  | 1 lb   | 4035 | 148.39    |

### Dimensions in inches

| Capacity   | A    | B    | C    | D    | E    | F    | G    | H    | J  |
|------------|------|------|------|------|------|------|------|------|----|
| 3kg-7kg    | 5.11 | 1.00 | 0.86 | 4.17 | 0.47 | 0.59 | 0.22 | 0.98 | M6 |
| 10kg-30kg  | 5.11 | 1.18 | 0.86 | 4.17 | 0.47 | 0.59 | 0.22 | 0.98 | M6 |
| 35kg-200kg | 5.11 | 1.57 | 0.86 | 4.17 | 0.47 | 0.59 | 0.22 | 0.98 | M6 |



1022  
w/ 10 ft cable



Single point

## 1030 Tedeá

1/4-20 UNC mounting holes  
 2 mv/v, 415/350 ohms, 1 m 6 wire cable, anodized aluminum. IP67.

| Part Number | Capacity | Nominal | Weight | SKU  | List      |
|-------------|----------|---------|--------|------|-----------|
| 1030-3      | 3 kg     | 6 lb    | 1 lb   | 4239 | \$ 246.62 |
| 1030-5      | 5 kg     | 10 lb   | 1 lb   | 4240 | 246.62    |
| 1030-7      | 7 kg     | 15 lb   | 1 lb   | 4241 | 246.62    |
| 1030-10     | 10 kg    | 20 lb   | 1 lb   | 4242 | 246.62    |
| 1030-15     | 15 kg    | 30 lb   | 1 lb   | 4243 | 254.98    |

### Dimensions in inches

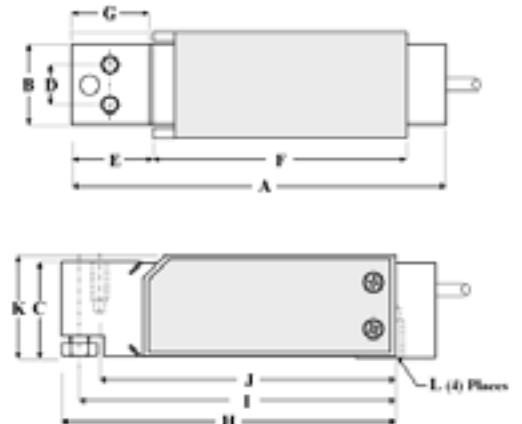
| Capacity | A    | B    | C    | D    | E    | F    | G    |
|----------|------|------|------|------|------|------|------|
| 3kg-15kg | 4.64 | 1.00 | 1.22 | 0.50 | 0.98 | 3.14 | 0.96 |

### Dimensions in inches continued

| Capacity | H    | I    | J    | K    | L          |
|----------|------|------|------|------|------------|
| 3kg-15kg | 4.16 | 3.93 | 3.68 | 1.30 | 1/4-20 UNC |



1030



Prices are subject to change without notice. Please call for current prices.

Other items are available from the manufacturers, please call for quote.

13-01 Pollitt Dr Ext  
 Fair Lawn NJ 07410  
 201-797-2718

**Totalcomp**  
 Components

www.totalcomp.com  
 sales@totalcomp.com  
 Fax 201-797-2287

# Single Point

Single point



1040



1140



## 1040, 1140 Tedea

These cells have a unique humidity resistant protective coating assures long term stability even under harsh environment and extreme temperatures. Mounting screws are 1/4-20 UNC(coarse) with 3/4" spacing on both top and bottom.

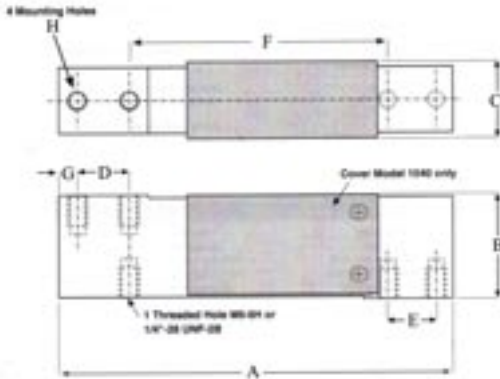
2 mv/v, 9 ft 6 wire cable

1040: 415/350 ohm, anodized aluminum.

1140: 380/350 ohm, **stainless steel**.

1040: NTEP Legal for Trade 89-075

| Part Number                         | Capacity | Nominal | Weight | SKU  | List      |
|-------------------------------------|----------|---------|--------|------|-----------|
| <b>Aluminum (NTEP)</b>              |          |         |        |      |           |
| 1040-5                              | 5 kg     | 10 lb   | 2 lb   | 1799 | \$ 210.05 |
| 1040-7                              | 7 kg     | 5 lb    | 2 lb   | 1800 | 210.05    |
| 1040-10                             | 10 kg    | 20 lb   | 2 lb   | 1801 | 210.05    |
| 1040-15                             | 15 kg    | 30 lb   | 2 lb   | 1802 | 210.05    |
| 1040-20                             | 20 kg    | 40 lb   | 2 lb   | 1803 | 210.05    |
| 1040-30                             | 30 kg    | 60 lb   | 2 lb   | 1804 | 210.05    |
| 1040-50                             | 50 kg    | 100 lb  | 2 lb   | 1805 | 210.05    |
| 1040-75                             | 75 kg    | 150 lb  | 2 lb   | 950  | 210.05    |
| 1040-100                            | 100 kg   | 200 lb  | 2 lb   | 1806 | 210.05    |
| <b>Stainless Steel</b>              |          |         |        |      |           |
| 1140-15                             | 15 kg    | 30 lb   | 3 lb   | 1807 | 357.39    |
| 1140-20                             | 20 kg    | 40 lb   | 3 lb   | 1808 | 357.39    |
| 1140-30                             | 30 kg    | 60 lb   | 3 lb   | 1809 | 357.39    |
| 1140-50                             | 50 kg    | 100 lb  | 3 lb   | 1810 | 357.39    |
| 1140-75                             | 75 kg    | 150 lb  | 3 lb   | 1811 | 357.39    |
| 1140-100                            | 100 kg   | 200 lb  | 3 lb   | 1812 | 357.39    |
| 1140-150                            | 150 kg   | 300 lb  | 3 lb   | 709  | 357.39    |
| <b>High Temperature (280 deg F)</b> |          |         |        |      |           |
| 1040-I-10-280F-AL                   | 10 kg    | 15 lb   | 3 lb   | 4188 | 1,043.00  |
| 1140-F-15-280F-SS                   | 15 kg    | 30 lb   | 3 lb   | 4040 | 1,267.00  |



### Dimensions in inches

| Capacity  | A    | B    | C    | D    | E    | F    | G    | H          |
|-----------|------|------|------|------|------|------|------|------------|
| 5kg-150kg | 5.90 | 1.57 | 1.16 | 0.75 | 0.75 | 3.94 | 0.25 | 1/4-20 UNC |

Prices are subject to change without notice. Please call for current prices.

Other items are available from the manufacturers, please call for quote.

# Single Point

## 1042 Tedea

Replacement for Tedea Model 1040. Mounting screws are 1/4-20 UNC(coarse) with 3/4" spacing on both top and bottom. These cells have a unique humidity resistant protective coating assures long term stability even under harsh environment and extreme temperatures.

2 mv/v, 9 ft 6 wire cable, 415/350 ohm, anodized aluminum.

NTEP Legal for Trade 96-132

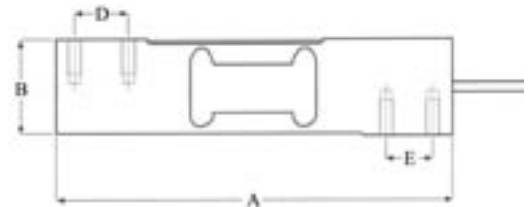
| Part Number | Capacity | Nominal | Weight | SKU  | List      |
|-------------|----------|---------|--------|------|-----------|
| 1042-1      | 1 kg     | 2 lb    | 2 lb   | 3267 | \$ 204.82 |
| 1042-3      | 3 kg     | 6 lb    | 2 lb   | 3268 | 204.82    |
| 1042-5      | 5 kg     | 10 lb   | 2 lb   | 3496 | 204.82    |
| 1042-7      | 7 kg     | 15 lb   | 2 lb   | 3497 | 204.82    |
| 1042-10     | 10 kg    | 20 lb   | 2 lb   | 3498 | 204.82    |
| 1042-15     | 15 kg    | 30 lb   | 2 lb   | 3499 | 204.82    |
| 1042-20     | 20 kg    | 40 lb   | 2 lb   | 3500 | 204.82    |
| 1042-30     | 30 kg    | 60 lb   | 2 lb   | 3501 | 204.82    |
| 1042-50     | 50 kg    | 100 lb  | 2 lb   | 3502 | 204.82    |
| 1042-75     | 75 kg    | 150 lb  | 2 lb   | 3163 | 204.82    |
| 1042-100    | 100 kg   | 200 lb  | 2 lb   | 3503 | 204.82    |

### Dimensions in inches

| Capacity   | A    | B    | C    | D    | E    | F    | G    | H          |
|------------|------|------|------|------|------|------|------|------------|
| 1kg-30kg   | 5.90 | 1.57 | 0.79 | 0.75 | 0.75 | 3.94 | 0.25 | 1/4-20 UNC |
| 50kg-250kg | 5.90 | 1.57 | 1.00 | 0.75 | 0.75 | 3.94 | 0.25 | 1/4-20 UNC |



1042



## 1142 Tedea

**Stainless steel** load cell. Interchangeable with models 1040, 1041, 1042 and 1140. Made for harsh treatment and/or caustic environments. Mounting screws are 1/4-20 UNC(coarse) with 3/4" spacing on both top and bottom.

2 mv/v, 383/350 ohm, 1m 6 wire cable, **stainless steel**, IP66

| Part Number   | Capacity | Nominal | Weight | SKU  | List      |
|---------------|----------|---------|--------|------|-----------|
| 1142-F-15     | 15 kg    | 30 lb   | 3 lb   | 4903 | \$ 323.95 |
| 1142-F-20     | 20 kg    | 40 lb   | 3 lb   | 4904 | 323.95    |
| 1142-F-30     | 30 kg    | 60 lb   | 3 lb   | 4905 | 323.95    |
| 1142-F-50     | 50 kg    | 100 lb  | 3 lb   | 4906 | 323.95    |
| 1142-F-75     | 75 kg    | 150 lb  | 3 lb   | 4907 | 323.95    |
| 1142-F-75-10* | 75 kg    | 150 lb  | 3 lb   | 4851 | 344.85    |
| 1142-F-100    | 100 kg   | 200 lb  | 3 lb   | 4908 | 323.95    |
| 1142-F-150    | 150 kg   | 300 lb  | 3 lb   | 4909 | 323.95    |

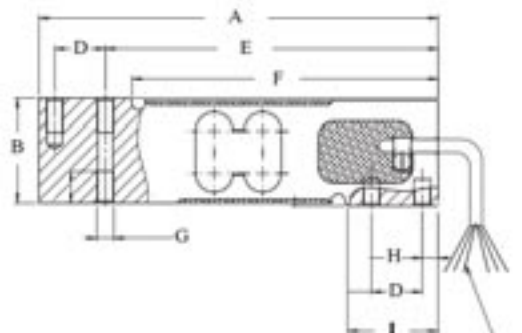
\* w/ 10 ft cable

### Dimensions in inches

| Capacity   | A    | B    | C    | D    | E    | F    | G    | H          |
|------------|------|------|------|------|------|------|------|------------|
| 1kg-30kg   | 5.90 | 1.57 | 0.79 | 0.75 | 0.75 | 3.94 | 0.25 | 1/4-20 UNC |
| 50kg-250kg | 5.90 | 1.57 | 1.00 | 0.75 | 0.75 | 3.94 | 0.25 | 1/4-20 UNC |



1142  
Stainless steel  
Interchanges 1040



FOUR OR SIX LEAD SHIELDED  
CABLE 1 meter (3ft) LONG

Prices are subject to change without notice. Please call for current prices.

Other items are available from the manufacturers, please call for quote.

13-01 Pollitt Dr Ext  
Fair Lawn NJ 07410  
201-797-2718

**Totalcomp**  
Components

www.totalcomp.com  
sales@totalcomp.com  
Fax 201-797-2287

# Single Point



1130



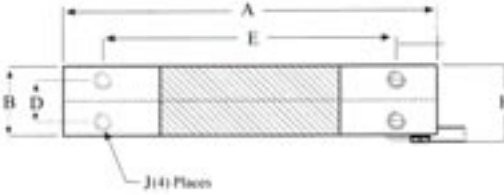
## 1130 Tedea

Replacement for the Weigh-Tronix MK29.

2 mv/v, 383/350 ohms, 10 ft 6 wire cable, stainless steel. IP67.

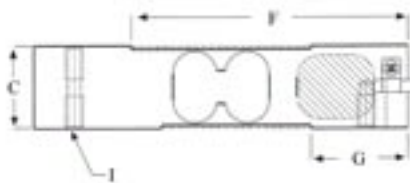
| Part Number | Capacity | Nominal | Weight | SKU  | List      |
|-------------|----------|---------|--------|------|-----------|
| 1130-7      | 7 kg     | 17 lb   | 2 lb   | 2734 | \$ 316.64 |
| 1130-10     | 10 kg    | 20 lb   | 2 lb   | 2589 | 316.64    |
| 1130-15     | 15 kg    | 30 lb   | 2 lb   | 2590 | 316.64    |
| 1130-20     | 20 kg    | 40 lb   | 2 lb   | 2591 | 316.64    |
| 1130-30     | 30 kg    | 60 lb   | 2 lb   | 2592 | 316.64    |
| 1130-50     | 50 kg    | 100 lb  | 2 lb   | 2593 | 316.64    |
| 1130-75     | 75 kg    | 150 lb  | 2 lb   | 2594 | 316.64    |

Single point



### Dimensions in inches

| Capacity | A    | B    | C    | D    | E    | F    | G    | H    | I          | J          |
|----------|------|------|------|------|------|------|------|------|------------|------------|
| 7-75kg   | 5.31 | 0.98 | 1.18 | 0.59 | 4.17 | 3.94 | 1.37 | 1.09 | 1/4-20 UNF | 1/4-20 UNF |



1250



## 1250 Tedea

Interchangeable with Toledo model 775. These cells have a unique humidity resistant protective coating assures long term stability even under harsh environment and extreme temperatures.

2 mv/v, 415/350 ohms, 10 ft 6 wire cable, anodized aluminum.

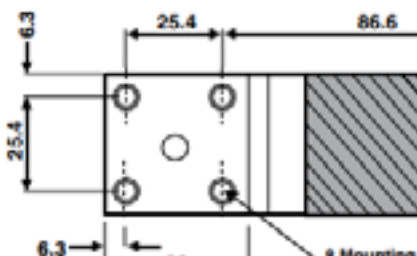
NTEP Legal for Trade 89-054

| Part Number       | Capacity | Nominal  | Weight | SKU  | List      |
|-------------------|----------|----------|--------|------|-----------|
| 1250-50kg         | 50 kg    | 100 lb   | 7 lb   | 1233 | \$ 328.13 |
| 1250-75kg         | 75 kg    | 150 lb   | 7 lb   | 596  | 328.13    |
| 1250-100kg        | 100 kg   | 200 lb   | 7 lb   | 597  | 328.13    |
| 1250-100kg Metric | 100 kg   | 200 lb   | 7 lb   | 1926 | 328.13    |
| 1250-150kg        | 150 kg   | 300 lb   | 7 lb   | 598  | 328.13    |
| 1250-200kg        | 200 kg   | 400 lb   | 7 lb   | 599  | 328.13    |
| 1250-250kg        | 250 kg   | 500 lb   | 7 lb   | 600  | 328.13    |
| 1250-300kg        | 300 kg   | 600 lb   | 7 lb   | 1234 | 328.13    |
| 1250-500kg        | 500 kg   | 1,000 lb | 7 lb   | 1235 | 328.13    |
| 1250-635kg        | 635 kg   | 1,400 lb | 7 lb   | 1813 | 328.13    |
| 1250-1000kg       | 1,000 kg | 2,200 lb | 7 lb   | 1520 | 328.13    |



### Dimensions in inches

| Capacity    | A    | B    | C    | D    | E    | F    | G    | H    | I    |
|-------------|------|------|------|------|------|------|------|------|------|
| 50kg-1000kg | 7.52 | 2.95 | 3.16 | 0.98 | 0.98 | 4.92 | 0.31 | 2.95 | 2.36 |



### Dimensions in inches

| Capacity    | J    | K    | M    | N    | O           | P    |
|-------------|------|------|------|------|-------------|------|
| 50kg-1000kg | 3.35 | 2.98 | 1.59 | 1.91 | 5/16-18 UNC | 0.45 |

Prices are subject to change without notice. Please call for current prices.

Other items are available from the manufacturers, please call for quote.



# Single Point

## 1240 Tedea

Interchange for LOCOSC 7160 load cell. **Stainless steel**, 1/4-20 UNC mounting holes. 2 mv/v, 380/350 ohms, 1.5 m 6 wire cable, **stainless steel**, IP65.

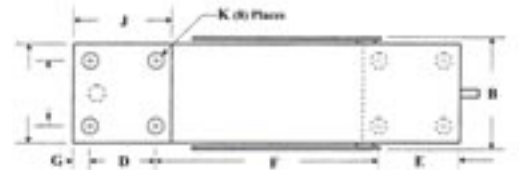
| Part Number | Capacity | Weight | SKU  | List      |
|-------------|----------|--------|------|-----------|
| 1240-200    | 200 kg   | 3 lb   | 3505 | \$ 364.71 |
| 1240-250    | 250 kg   | 3 lb   | 3506 | 364.71    |



1240

### Dimensions in inches

| Capacity    | A    | B    | C    | D    | E    | F    | G    | H    | I    | J    | K          |
|-------------|------|------|------|------|------|------|------|------|------|------|------------|
| 200kg-500kg | 5.91 | 1.71 | 1.57 | 1.00 | 1.00 | 3.41 | 0.25 | 1.50 | 1.00 | 1.50 | 1/4-20 UNC |



## 1260S Tedea

**10,000 div NTEP**. Slightly smaller than the Model 1250. 2 mv/v, 415/350 ohms, 3m 6 wire cable, anodized aluminum, IP66. NTEP Legal for Trade 02-080

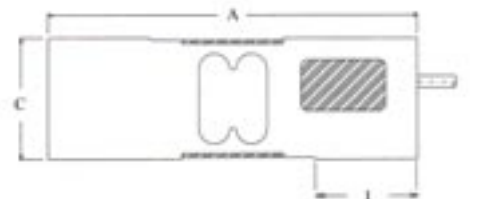
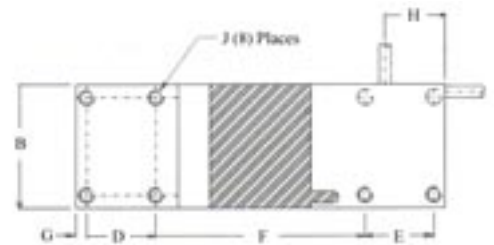
| Part Number | Capacity | Nominal  | Weight | SKU | List      |
|-------------|----------|----------|--------|-----|-----------|
| 1260S-75kg  | 75 kg    | 150 lb   | 5 lb   | 249 | \$ 305.14 |
| 1260S-100kg | 100 kg   | 200 lb   | 5 lb   | 251 | 305.14    |
| 1260S-150kg | 150 kg   | 300 lb   | 5 lb   | 253 | 305.14    |
| 1260S-200kg | 200 kg   | 400 lb   | 5 lb   | 264 | 305.14    |
| 1260S-250kg | 250 kg   | 500 lb   | 5 lb   | 266 | 305.14    |
| 1260S-300kg | 300 kg   | 600 lb   | 5 lb   | 267 | 305.14    |
| 1260S-500kg | 500 kg   | 1,000 lb | 5 lb   | 268 | 305.14    |
| 1260S-635kg | 635 kg   | 1,400 lb | 5 lb   | 269 | 305.14    |



1260S

### Dimensions in inches

| Capacity   | A    | B    | C    | D    | E    | F    | G    | H    | I    | J       |
|------------|------|------|------|------|------|------|------|------|------|---------|
| 50kg-635kg | 7.40 | 2.49 | 2.45 | 1.38 | 1.38 | 4.21 | 0.22 | 1.20 | 2.04 | 5/16-18 |



Prices are subject to change without notice. Please call for current prices.

Other items are available from the manufacturers, please call for quote.

13-01 Pollitt Dr Ext  
Fair Lawn NJ 07410  
201-797-2718

**Totalcomp**  
Components

www.totalcomp.com  
sales@totalcomp.com  
Fax 201-797-2287

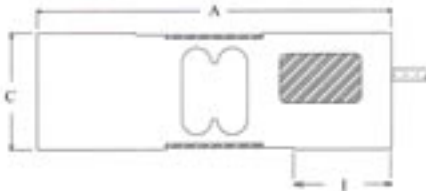
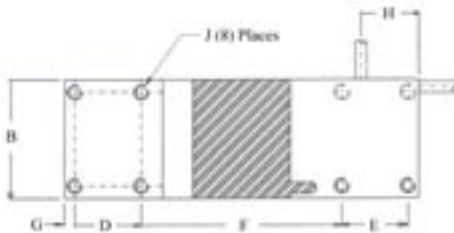
159

Single point

# Single Point



1260



## 1260 Tedeia

Slightly smaller than the Model 1250. This model is specially potted for use in high moisture scales.

2 mv/v, 415/350 ohms, 3m 6 wire cable, anodized aluminum, IP67.

NTEP Legal for Trade 96-064

| Part Number | Capacity | Nominal  | Weight | SKU  | List      |
|-------------|----------|----------|--------|------|-----------|
| 1260-50kg   | 50 kg    | 100 lb   | 5 lb   | 2040 | \$ 345.90 |
| 1260-75kg   | 75 kg    | 150 lb   | 5 lb   | 2041 | 345.90    |
| 1260-100kg  | 100 kg   | 200 lb   | 5 lb   | 2042 | 345.90    |
| 1260-150kg  | 150 kg   | 300 lb   | 5 lb   | 573  | 345.90    |
| 1260-200kg  | 200 kg   | 400 lb   | 5 lb   | 2043 | 345.90    |
| 1260-250kg  | 250 kg   | 500 lb   | 5 lb   | 2044 | 345.90    |
| 1260-300kg  | 300 kg   | 600 lb   | 5 lb   | 2045 | 345.90    |
| 1260-500kg  | 500 kg   | 1,000 lb | 5 lb   | 2046 | 345.90    |
| 1260-635kg  | 635 kg   | 1,400 lb | 5 lb   | 2356 | 345.90    |

### Dimensions in inches

| Capacity   | A    | B    | C    | D    | E    | F    | G    | H    | I    | J       |
|------------|------|------|------|------|------|------|------|------|------|---------|
| 50kg-500kg | 7.40 | 2.49 | 2.45 | 1.38 | 1.38 | 4.21 | 0.22 | 1.20 | 2.04 | 5/16-18 |

## 1260 Tedeia metric

Slightly smaller than the Model 1250. This model is specially potted for use in high moisture scales.

2 mv/v, 415/350 ohms, 3m 6 wire cable, anodized aluminum, IP67.

NTEP Legal for Trade 96-064

| Part Number        | Capacity | Nominal | Weight | SKU | List      |
|--------------------|----------|---------|--------|-----|-----------|
| 1260M-300kg metric | 300 kg   | 600 lb  | 5 lb   | 465 | \$ 339.63 |

### Dimensions in inches

| Capacity   | A    | B    | C    | D    | E    | F    | G    | H    | I    | J  |
|------------|------|------|------|------|------|------|------|------|------|----|
| 50kg-500kg | 7.40 | 2.49 | 2.45 | 1.38 | 1.38 | 4.21 | 0.22 | 1.20 | 2.04 | M8 |

Prices are subject to change without notice. Please call for current prices.

Other items are available from the manufacturers, please call for quote.

# Single Point

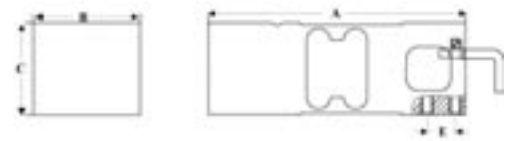
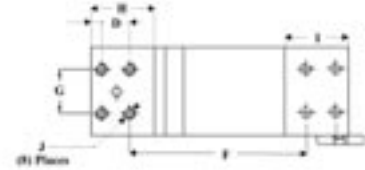
## 1263 Tedeas

2 mv/v, 415/350 ohms, 1.5m 4 wire cable, aluminum, IP66.

| Part Number | Capacity | Weight | SKU  | List      |
|-------------|----------|--------|------|-----------|
| 1263-50     | 50 kg    | 6 lb   | 5239 | \$ 242.44 |
| 1263-100    | 100 kg   | 6 lb   | 5240 | 242.44    |
| 1263-150    | 150 kg   | 6 lb   | 5241 | 242.44    |
| 1263-200    | 200 kg   | 6 lb   | 5242 | 242.44    |
| 1263-250    | 250 kg   | 6 lb   | 5884 | 242.44    |
| 1263-300    | 300 kg   | 6 lb   | 5888 | 242.44    |
| 1263-500    | 500 kg   | 6 lb   | 5918 | 242.44    |
| 1263-635    | 635 kg   | 6 lb   | 6005 | 242.44    |



1263



### Dimensions in inches

| Capacity   | A    | B    | C    | D    | E    | F    | G    | H    | I    | J     |
|------------|------|------|------|------|------|------|------|------|------|-------|
| 50kg-635kg | 6.85 | 2.36 | 2.46 | 0.75 | 0.75 | 4.80 | 1.18 | 1.69 | 1.69 | M8-6H |

Single point

## 1320 Tedeas

High capacity off-center load cells are made for platform sizes up to 48" x 48". These cells have a unique humidity resistant protective coating assures long term stability even under harsh environment and extreme temperatures.

2 mv/v, 415/350 ohms, 6m 6 wire cable, anodized aluminum, IP65.

NTEP Legal for Trade 94-115

| Part Number | Capacity | Nominal  | Weight | SKU  | List      |
|-------------|----------|----------|--------|------|-----------|
| 1320-1000   | 1,000 kg | 2,200 lb | 8 lb   | 2323 | \$ 624.49 |
| 1320-1500   | 1,500 kg | 3,300 lb | 8 lb   | 2324 | 624.49    |
| 1320-2000   | 2,000 kg | 4,400 lb | 9 lb   | 2325 | 624.49    |

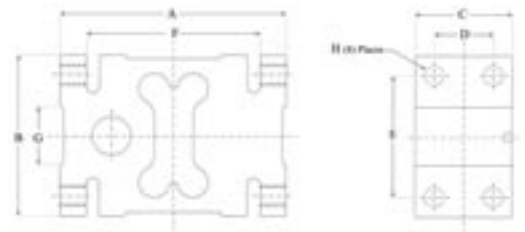


1320



### Dimensions in inches

| Capacity | A    | B    | C    | D    | E    | F    | G    | H   |
|----------|------|------|------|------|------|------|------|-----|
| 1K-2K    | 6.93 | 4.96 | 2.99 | 1.81 | 3.74 | 5.31 | 1.77 | M16 |



Prices are subject to change without notice. Please call for current prices.

Other items are available from the manufacturers, please call for quote.

13-01 Pollitt Dr Ext  
Fair Lawn NJ 07410  
201-797-2718

**Totalcomp**  
Components

www.totalcomp.com  
sales@totalcomp.com  
Fax 201-797-2287

# Single Point



1004

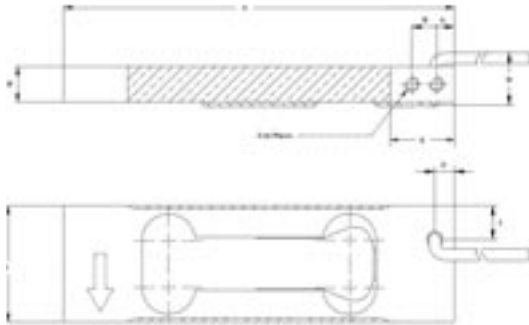


## 1004 Tedeo

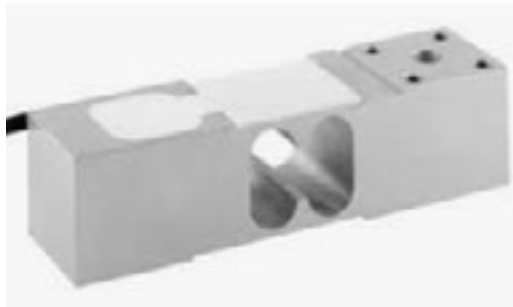
30,000 div OIML. M3 thread mounting holes  
0.9mv/v, 415/350 ohms. 4m .4 wire. cable, aluminum, IP66.

| Part Number      | Capacity | Nominal | Weight | SKU | List     |
|------------------|----------|---------|--------|-----|----------|
| 1004-0.3kg-C3-C1 | 0.3 kg   | 0.60 lb | 1 lb   | 377 | \$ 82.56 |
| 1004-0.6kg-C3-C1 | 0.6 kg   | 0.12 lb | 1 lb   | 378 | 82.56    |
| 1004-1.2kg-C3-C1 | 1.2 kg   | 2.40 lb | 1 lb   | 379 | 82.56    |
| 1004-1.5kg-C3-C1 | 1.5 kg   | 2.10 lb | 1 lb   | 380 | 82.56    |
| 1004-3kg-C3-C1   | 3 kg     | 6.00 lb | 5 lb   | 381 | 82.56    |

## Dimensions in inches



| Capacity  | A    | B    | C    | D    | E    | F    | G    | H    | I    | J     |
|-----------|------|------|------|------|------|------|------|------|------|-------|
| 0.3kg-3kg | 4.33 | 0.39 | 1.30 | 0.59 | 0.71 | 0.21 | 0.19 | 0.27 | 3.13 | M3-6H |

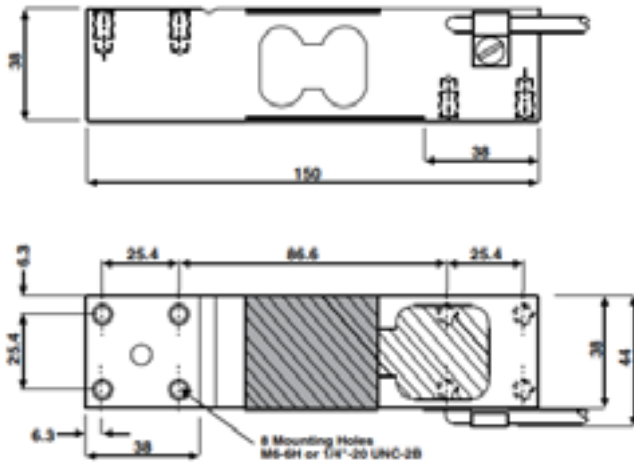


1242

## 1242 Tedeo

2 mv/v, 415/351 ohms. 1.5m .6 wire. cable, aluminum, IP66.

| Part Number   | Capacity | Nominal | Weight  | SKU | List      |
|---------------|----------|---------|---------|-----|-----------|
| 1242-50kg-C3  | 50 kg    | 100 lb  | 1.48 lb | 636 | \$ 164.57 |
| 1242-100kg-C3 | 100 kg   | 200 lb  | 1.48 lb | 637 | 268.88    |
| 1242-200kg-C3 | 200 kg   | 400 lb  | 1.48 lb | 638 | 406.65    |
| 1242-250kg-C3 | 250 kg   | 500 lb  | 1.48 lb | 639 | 406.65    |



Prices are subject to change without notice. Please call for current prices.

Other items are available from the manufacturers, please call for quote.

# Single Point

## 1510 Tede

Hermetically sealed with all welded construction. M8 thread mounting holes  
 2 mv/v +/-10%, 380/350 ohms, 1m 6 wire cable, **stainless steel**, IP68.

| Part Number   | Capacity | Nominal  | Weight | SKU | List      |
|---------------|----------|----------|--------|-----|-----------|
| 1510-C3-100kg | 100 kg   | 200 lb   | 5 lb   | 785 | \$ 829.73 |
| 1510-C3-250kg | 250 kg   | 500 lb   | 5 lb   | 786 | 829.73    |
| 1510-C3-500kg | 500 kg   | 1,000 lb | 5 lb   | 787 | 829.73    |

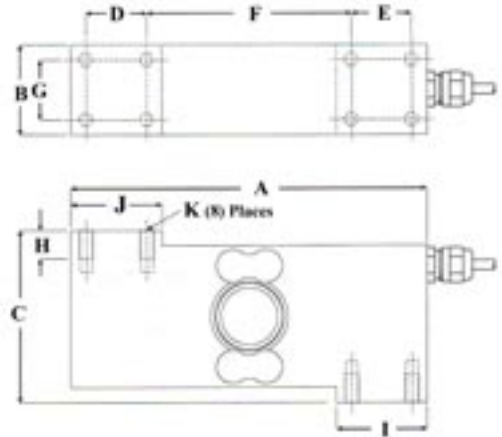


1510

Single point

### Dimensions in inches

| Capacity    | A    | B    | C    | D    | E    | F    | G    | H    | I    | J    | K         |
|-------------|------|------|------|------|------|------|------|------|------|------|-----------|
| 100kg-500kg | 5.90 | 1.50 | 2.87 | 1.00 | 1.00 | 3.40 | 1.00 | 0.47 | 1.50 | 1.50 | M8 x 1.25 |



Prices are subject to change without notice. Please call for current prices.

Other items are available from the manufacturers, please call for quote.

13-01 Pollitt Dr Ext  
 Fair Lawn NJ 07410  
 201-797-2718

 **Totalcomp**  
 Components

www.totalcomp.com  
 sales@totalcomp.com  
 Fax 201-797-2287

# Single Point



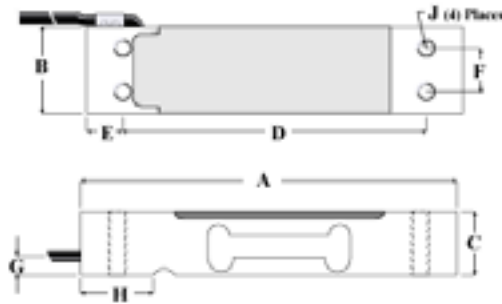
GS1022

## GS1022 General Sensor

Interchangeable with Tedeia 1022, HBM PW6, NMB C2G1, Scaime EP, General Sensor GC2G1. M6 thread mounting holes on all capacities.  
2 mv/v +/-10%, 0.02% total error, 415/350 ohms, 10 ft 4 wire cable, anodized aluminum.

| Part Number    | Capacity | Nominal | Weight | SKU  | List      |
|----------------|----------|---------|--------|------|-----------|
| GS1022S -3kg * | 3 kg     | 6 lb    | 1 lb   | 4958 | \$ 119.00 |
| GS1022-3kg     | 3 kg     | 6 lb    | 1 lb   | 4921 | 119.00    |
| GS1022-10kg    | 10 kg    | 20 lb   | 1 lb   | 4959 | 119.00    |
| GS1022-15kg    | 15 kg    | 30 lb   | 1 lb   | 4960 | 119.00    |
| GS1022-30kg    | 30 kg    | 60 lb   | 1 lb   | 4961 | 119.00    |

\* Smaller envelope



### Dimensions in inches

| Capacity | A    | B    | C    | D    | E    | F    | G    | H    | J  |
|----------|------|------|------|------|------|------|------|------|----|
| 3kg *    | 2.76 | 0.59 | 0.86 | 2.28 | 0.24 | 0.28 | 0.25 | 0.50 | M3 |
| 3kg-30kg | 5.11 | 1.18 | 0.86 | 4.17 | 0.47 | 0.59 | 0.22 | 0.98 | M6 |

Single point

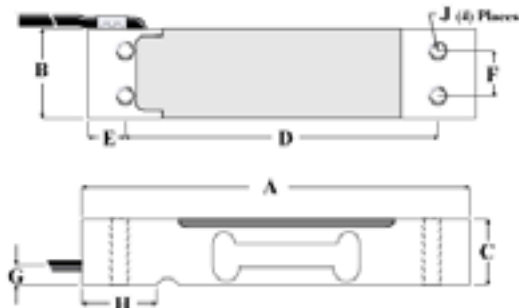


GS1022-SS

## GS1022-SS General Sensor

Interchangeable with NMB C2G1, Scaime EP, General Sensor GC2G1 and Toledo 0765.  
M6 thread mounting holes on all capacities.  
2 mv/v +/-10%, 415/350 ohms, 10 ft 4 wire cable, **stainless steel**.  
NTEP Legal for Trade 96-122 .

| Part Number    | Capacity | Nominal | Weight | SKU  | List      |
|----------------|----------|---------|--------|------|-----------|
| GS1022-3kg-SS  | 3 kg     | 6 lb    | 2 lb   | 8216 | \$ 185.00 |
| GS1022-5kg-SS  | 5 kg     | 10 lb   | 2 lb   | 8217 | 185.00    |
| GS1022-10kg-SS | 10 kg    | 20 lb   | 2 lb   | 8218 | 185.00    |
| GS1022-15kg-SS | 15 kg    | 30 lb   | 2 lb   | 8219 | 185.00    |
| GS1022-20kg-SS | 20 kg    | 40 lb   | 2 lb   | 8220 | 185.00    |
| GS1022-35kg-SS | 35 kg    | 70 lb   | 2 lb   | 8221 | 185.00    |
| GS1022-50kg-SS | 50 kg    | 100 lb  | 2 lb   | 8222 | 185.00    |



### Dimensions in inches

| Capacity  | A    | B    | C    | D    | E    | F    | G    | H    | J  |
|-----------|------|------|------|------|------|------|------|------|----|
| 3kg-7kg   | 5.11 | 1.00 | 0.86 | 4.17 | 0.47 | 0.59 | 0.22 | 0.98 | M6 |
| 10kg-30kg | 5.11 | 1.18 | 0.86 | 4.17 | 0.47 | 0.59 | 0.22 | 0.98 | M6 |
| 35kg-50kg | 5.11 | 1.57 | 0.86 | 4.17 | 0.47 | 0.59 | 0.22 | 0.98 | M6 |

Prices are subject to change without notice. Please call for current prices.

Other items are available from the manufacturers, please call for quote.

# Single Point

## GS1042 General Sensor

Interchangeable with Toledo model 774. Replacement for Tede Model 1040. Mounting screws are 1/4-20 UNC(coarse) with 3/4" spacing on both top and bottom. These cells have a unique humidity resistant protective coating assures long term stability even under harsh environment and extreme temperatures.  
2 mv/v, 9 ft 6 wire cable, 415/350 ohm, anodized aluminum.

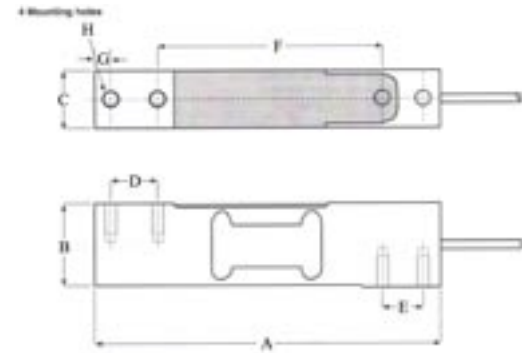
| Part Number  | Capacity | Nominal | Weight | SKU  | List      |
|--------------|----------|---------|--------|------|-----------|
| GS1042-1kg   | 1 kg     | 2 lb    | 2 lb   | 6396 | \$ 145.95 |
| GS1042-3kg   | 3 kg     | 6 lb    | 2 lb   | 6390 | 145.95    |
| GS1042-5kg   | 5 kg     | 10 lb   | 2 lb   | 6397 | 145.95    |
| GS1042-7kg   | 7 kg     | 15 lb   | 2 lb   | 6391 | 145.95    |
| GS1042-10kg  | 10 kg    | 20 lb   | 2 lb   | 6398 | 145.95    |
| GS1042-15kg  | 15 kg    | 30 lb   | 2 lb   | 6399 | 145.95    |
| GS1042-20kg  | 20 kg    | 40 lb   | 2 lb   | 6400 | 145.95    |
| GS1042-50kg  | 50 kg    | 100 lb  | 2 lb   | 6401 | 145.95    |
| GS1042-100kg | 100 kg   | 200 lb  | 2 lb   | 6402 | 145.95    |

### Dimensions in inches

| Capacity    | A    | B    | C    | D    | E    | F    | G    | H          |
|-------------|------|------|------|------|------|------|------|------------|
| 1kg-20kg    | 5.90 | 1.57 | 0.79 | 0.75 | 0.75 | 3.94 | 0.25 | 1/4-20 UNC |
| 50kg-1000kg | 5.90 | 1.57 | 1.00 | 0.75 | 0.75 | 3.94 | 0.25 | 1/4-20 UNC |



GS1042



Single point

## GS1042-SS General Sensor

Replacement for Tede Model 1142, TP40-SS and Toledo 774. Mounting screws are 1/4-20 UNC (coarse) with 3/4" spacing on both top and bottom. These cells have a unique humidity resistant protective coating assures long term stability even under harsh environment and extreme temperatures.  
2 mv/v, 9 ft 6 wire cable, 415/350 ohm, stainless steel. IP67.

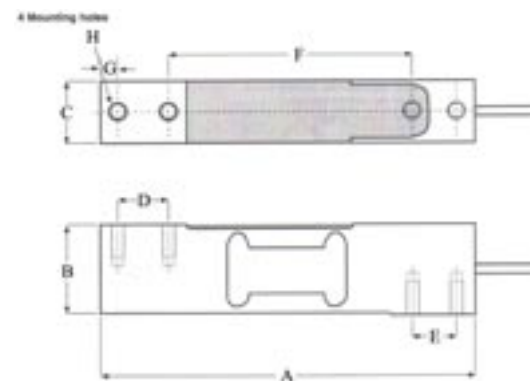
| Part Number     | Capacity | Nominal | Weight | SKU  | List      |
|-----------------|----------|---------|--------|------|-----------|
| GS1042-10kg-SS  | 10 kg    | 20 lb   | 3 lb   | 6407 | \$ 315.00 |
| GS1042-15kg-SS  | 15 kg    | 30 lb   | 3 lb   | 6403 | 315.00    |
| GS1042-20kg-SS  | 20 kg    | 40 lb   | 3 lb   | 6408 | 315.00    |
| GS1042-30kg-SS  | 30 kg    | 60 lb   | 3 lb   | 6409 | 315.00    |
| GS1042-50kg-SS  | 50 kg    | 100 lb  | 3 lb   | 6404 | 315.00    |
| GS1042-75kg-SS  | 75 kg    | 150 lb  | 3 lb   | 6405 | 315.00    |
| GS1042-100kg-SS | 100 kg   | 200 lb  | 3 lb   | 6406 | 315.00    |
| GS1042-150kg-SS | 150 kg   | 300 lb  | 3 lb   | 6410 | 315.00    |

### Dimensions in inches

| Capacity   | A    | B    | C    | D    | E    | F    | G    | H          |
|------------|------|------|------|------|------|------|------|------------|
| 1kg-30kg   | 5.90 | 1.57 | 0.79 | 0.75 | 0.75 | 3.94 | 0.25 | 1/4-20 UNC |
| 50kg-250kg | 5.90 | 1.57 | 1.00 | 0.75 | 0.75 | 3.94 | 0.25 | 1/4-20 UNC |



GS1042-SS



Prices are subject to change without notice. Please call for current prices.

Other items are available from the manufacturers, please call for quote.

13-01 Pollitt Dr Ext  
Fair Lawn NJ 07410  
201-797-2718

**Totalcomp**  
Components

www.totalcomp.com  
sales@totalcomp.com  
Fax 201-797-2287

# Single Point



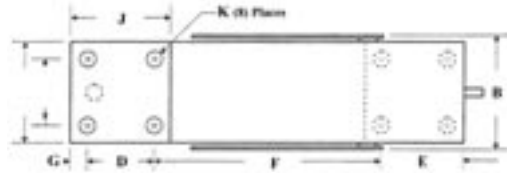
GS1240-SS

## GS1240-SS General Sensor

Interchange for LOCOSC 7160 load cell. Stainless steel, 1/4-20 UNC mounting holes. 2 mv/v, 380/350 ohms, 1.5 m 6 wire cable, **stainless steel**, IP67.

| Part Number     | Capacity | Weight | SKU  | List      |
|-----------------|----------|--------|------|-----------|
| GS1240-50kg-SS  | 50 kg    | 3 lb   | 6916 | \$ 315.00 |
| GS1240-100kg-SS | 100 kg   | 3 lb   | 6917 | 315.00    |
| GS1240-150kg-SS | 150 kg   | 3 lb   | 6897 | 315.00    |
| GS1240-200kg-SS | 200 kg   | 3 lb   | 6918 | 315.00    |
| GS1240-250kg-SS | 250 kg   | 3 lb   | 6919 | 315.00    |

Single point



Dimensions in inches

| Capacity   | A    | B    | C    | D    | E    | F    | G    | H    | I    | J    | K          |
|------------|------|------|------|------|------|------|------|------|------|------|------------|
| 50kg-250kg | 5.91 | 1.71 | 1.57 | 1.00 | 1.00 | 3.41 | 0.25 | 1.50 | 1.00 | 1.50 | 1/4-20 UNC |

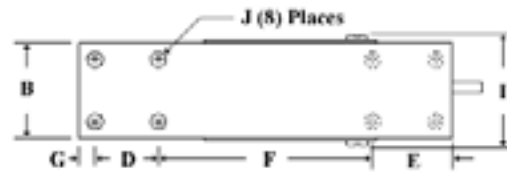


GS1241

## GS1241 General Sensor

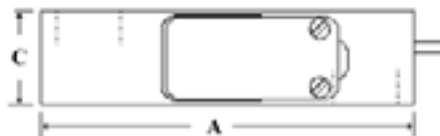
Interchangeable with Toledo MT1241. 1/4-20UNC thread mounting holes. 2 mv/v, 415/350 ohms, 1m 6 wire cable, anodized aluminum.

| Part Number  | Capacity | Nominal | Weight | SKU  | List      |
|--------------|----------|---------|--------|------|-----------|
| GS1241-50kg  | 50 kg    | 100 lb  | 2 lb   | 7007 | \$ 298.00 |
| GS1241-100kg | 100 kg   | 200 lb  | 2 lb   | 7008 | 298.00    |
| GS1241-150kg | 150 kg   | 300 lb  | 2 lb   | 7009 | 298.00    |
| GS1241-200kg | 200 kg   | 400 lb  | 2 lb   | 7010 | 298.00    |
| GS1241-250kg | 250 kg   | 500 lb  | 2 lb   | 7011 | 298.00    |



Dimensions in inches

| Capacity   | A    | B    | C    | D    | E    | F    | G    | J          |
|------------|------|------|------|------|------|------|------|------------|
| 50kg-250kg | 5.91 | 1.50 | 1.50 | 1.00 | 1.00 | 3.41 | 0.25 | 1/4-20 UNC |





# Single Point

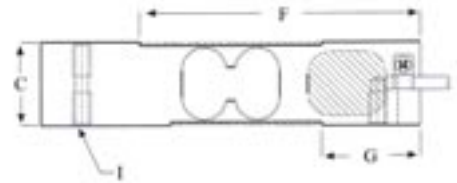
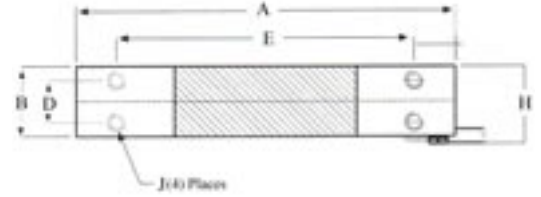
## GS1130 General Sensor

Replacement for the Weigh-Tronix MK29.  
2 mv/v, 383/350 ohms, 10 ft 6 wire cable, **stainless steel**. IP67.

| Part Number     | Capacity | Nominal | Weight | SKU  | List      |
|-----------------|----------|---------|--------|------|-----------|
| GS1130-7kg-SS   | 7 kg     | 17 lb   | 2 lb   | 8100 | \$ 262.50 |
| GS1130-10kg-SS  | 10 kg    | 20 lb   | 2 lb   | 8101 | 262.50    |
| GS1130-15kg-SS  | 15 kg    | 30 lb   | 2 lb   | 8102 | 262.50    |
| GS1130-20kg-SS  | 20 kg    | 40 lb   | 2 lb   | 8103 | 262.50    |
| GS1130-30kg-SS  | 30 kg    | 60 lb   | 2 lb   | 8104 | 262.50    |
| GS1130-50kg-SS  | 50 kg    | 100 lb  | 2 lb   | 8105 | 262.50    |
| GS1130-75kg-SS  | 75 kg    | 150 lb  | 2 lb   | 8106 | 262.50    |
| GS1130-100kg-SS | 100 kg   | 200 lb  | 2 lb   | 8107 | 262.50    |



GS1130



### Dimensions in inches

| Capacity | A    | B    | C    | D    | E    | F    | G    | H    | I          | J          |
|----------|------|------|------|------|------|------|------|------|------------|------------|
| 7-100kg  | 5.31 | 0.98 | 1.18 | 0.59 | 4.17 | 3.94 | 1.37 | 1.09 | 1/4-20 UNF | 1/4-20 UNF |

Single point

Prices are subject to change without notice. Please call for current prices.

Other items are available from the manufacturers, please call for quote.

13-01 Pollitt Dr Ext  
Fair Lawn NJ 07410  
201-797-2718

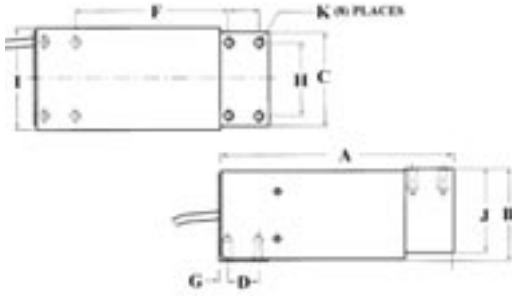
 **Totalcomp**  
Components

www.totalcomp.com  
sales@totalcomp.com  
Fax 201-797-2287

# Single Point



GS1250



## GS1250 General Sensor

Interchangeable with Tedeia Model 1250.

2 mv/v, 410/350 ohms, 10 ft 4 wire cable, anodized aluminum, IP67.

| Part Number   | Capacity | Nominal  | Weight | SKU  | List      |
|---------------|----------|----------|--------|------|-----------|
| GS1250-50kg   | 50 kg    | 100 lb   | 6 lb   | 3789 | \$ 203.50 |
| GS1250-75kg   | 75 kg    | 150 lb   | 6 lb   | 3790 | 203.50    |
| GS1250-100kg  | 100 kg   | 200 lb   | 6 lb   | 3791 | 203.50    |
| GS1250-150kg  | 150 kg   | 300 lb   | 6 lb   | 3792 | 203.50    |
| GS1250-200kg  | 200 kg   | 400 lb   | 6 lb   | 3793 | 203.50    |
| GS1250-250kg  | 250 kg   | 500 lb   | 6 lb   | 2031 | 203.50    |
| GS1250-300kg  | 300 kg   | 600 lb   | 6 lb   | 3794 | 203.50    |
| GS1250-500kg  | 500 kg   | 1,000 lb | 6 lb   | 3795 | 203.50    |
| GS1250-1000kg | 1,000 kg | 2,200 lb | 7 lb   | 3797 | 203.50    |

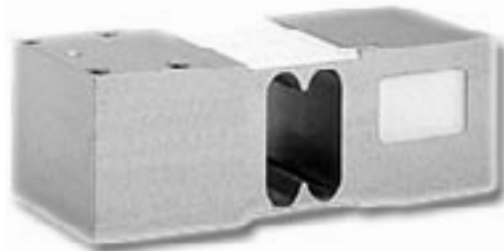
### Dimensions in inches

| Capacity | A    | B    | C    | D    | E    | F    | G    | H    | I    | J    | K           |
|----------|------|------|------|------|------|------|------|------|------|------|-------------|
| 50-2000  | 7.52 | 2.97 | 3.00 | 0.98 | 0.98 | 4.92 | 0.25 | 2.36 | 3.20 | 2.67 | 5/16-18 UNC |

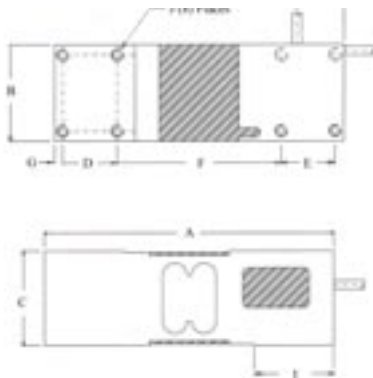
## GS1260 General Sensor

Interchangeable with Tedeia 1260. Slightly smaller than the Model 1250.

2 mv/v, 415/350 ohms, 3m 6 wire cable, anodized aluminum, IP66.



GS1260



### Dimensions in inches

| Capacity    | A    | B    | C    | D    | E    | F    | G    | H    | I    | J       |
|-------------|------|------|------|------|------|------|------|------|------|---------|
| 100kg-250kg | 7.40 | 2.49 | 2.45 | 1.38 | 1.38 | 4.21 | 0.22 | 1.20 | 2.04 | 5/16-18 |

# Single Point

## GC2G1 General Sensor

Interchangeable with BLH C2G1, Scaime EP, NMB CB17 used in Eaton/Consolidated Control bases and Fairbanks 4900 Series scales. M3 thread mounting hole 1kg to 3kg. M6 thread mounting hole 6kg to 35kg.  
1 mv/v +/-10%(1 to 3kg), 2 mv/v +/-10%(6 to 35kg), 0.015% nonlinearity, 420/350 ohms, 400mm 4 wire cable, anodized aluminum, IP67.

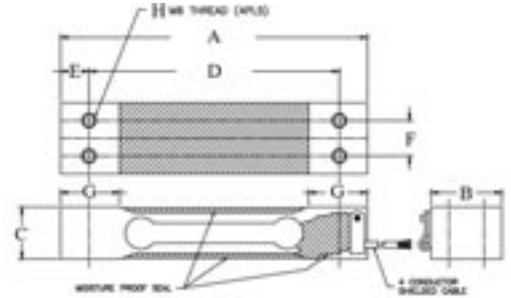
| Part Number | Capacity | Nominal | Weight | SKU  | List      |
|-------------|----------|---------|--------|------|-----------|
| GC2G1-1kg   | 1 kg     | 2 lb    | 1 lb   | 4140 | \$ 136.00 |
| GC2G1-2kg   | 2 kg     | 4 lb    | 1 lb   | 4141 | 136.00    |
| GC2G1-3kg   | 3 kg     | 6 lb    | 1 lb   | 4142 | 136.00    |
| GC2G1-6kg   | 6 kg     | 12 lb   | 1 lb   | 4143 | 136.00    |
| GC2G1-10kg  | 10 kg    | 20 lb   | 1 lb   | 4144 | 136.00    |
| GC2G1-15kg  | 15 kg    | 30 lb   | 1 lb   | 4145 | 136.00    |
| GC2G1-20kg  | 20 kg    | 40 lb   | 1 lb   | 4146 | 136.00    |
| GC2G1-30kg  | 30 kg    | 60 lb   | 1 lb   | 4147 | 216.00    |
| GC2G1-35kg  | 35 kg    | 70 lb   | 1 lb   | 4148 | 216.00    |

### Dimensions in inches

| Capacity | A     | B    | C    | D    | E    | F    | G    | H  |
|----------|-------|------|------|------|------|------|------|----|
| 1-3kg    | 2.76  | 0.59 | 0.86 | 2.28 | 0.24 | 0.28 | 1.96 | M3 |
| 6-20kg   | 10.23 | 1.18 | 0.86 | 8.34 | 0.94 | 1.18 | 1.96 | M6 |
| 25-35kg  | 10.23 | 1.57 | 0.86 | 8.34 | 0.94 | 1.18 | 1.96 | M6 |



GC2G1



Single point

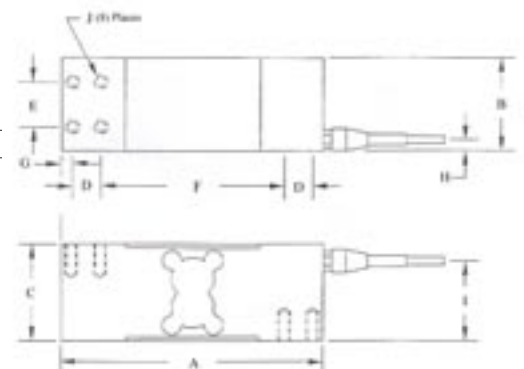
## GC2L1 General Sensor

Interchangeable with NMB C2L1 M8 thread mounting holes.  
2 mv/v +/-10%, 390/350 ohms, 20 ft 4 wire cable, anodized aluminum, IP67.

| Part Number | Capacity | Nominal  | Weight | SKU  | List      |
|-------------|----------|----------|--------|------|-----------|
| GC2L1-60kg  | 60 kg    | 120 lb   | 5 lb   | 4149 | \$ 416.00 |
| GC2L1-100kg | 100 kg   | 200 lb   | 5 lb   | 4150 | 416.00    |
| GC2L1-150kg | 150 kg   | 300 lb   | 5 lb   | 4151 | 416.00    |
| GC2L1-250kg | 250 kg   | 500 lb   | 5 lb   | 4152 | 416.00    |
| GC2L1-300kg | 300 kg   | 600 lb   | 5 lb   | 4153 | 416.00    |
| GC2L1-500kg | 500 kg   | 1,000 lb | 5 lb   | 4154 | 416.00    |



GC2L1



### Dimensions in inches

| Capacity | A    | B    | C    | D    | E    | F    | G    | H    | I    | J  |
|----------|------|------|------|------|------|------|------|------|------|----|
| 60-500kg | 6.86 | 2.36 | 2.56 | 0.75 | 1.18 | 4.80 | 0.28 | 0.31 | 1.81 | M8 |

Prices are subject to change without notice. Please call for current prices.

Other items are available from the manufacturers, please call for quote.

13-01 Pollitt Dr Ext  
Fair Lawn NJ 07410  
201-797-2718

**Totalcomp**  
Components

www.totalcomp.com  
sales@totalcomp.com  
Fax 201-797-2287

# Single Point



GS-FLS

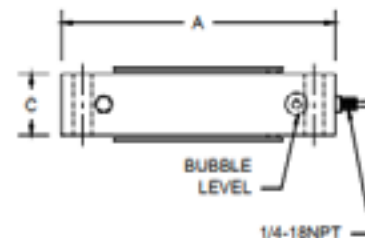
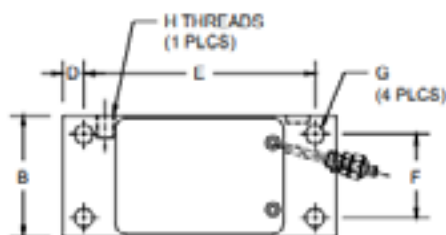
## GS-FLS General Sensor

Interchangeable with Weigh-Tronix FLS single point load cell. (4) mounting holes 0.453" dia. 2" vertical spacing. 5.5" horizontal spacing, center to center. Over 250 lb has larger envelope 8" x 3.75" with hole spacing 7" x 2.75". Overall 6.5" x 2.9" high. 1 mv/v, 380/350 ohms, 10 ft 4 wire cable, **stainless steel**, IP67

| Part Number | Weigh-Tronix | Capacity | Weight | SKU  | List      |
|-------------|--------------|----------|--------|------|-----------|
| GS-FLS-30   |              | 30 lb    | 4 lb   | 4618 | \$ 635.25 |
| GS-FLS-50   |              | 50 lb    | 4 lb   | 4619 | 635.25    |
| GS-FLS-125  | 49098-0075   | 125 lb   | 7 lb   | 4620 | 635.25    |
| GS-FLS-250  | 49098-0042   | 250 lb   | 7 lb   | 4621 | 635.25    |
| GS-FLS-625  | 49100-0022   | 625 lb   | 9 lb   | 4622 | 866.25    |

### Dimensions in inches

| RATED CAPACITY | DIMENSIONS |      |      |      |      |      |      |                   |
|----------------|------------|------|------|------|------|------|------|-------------------|
|                | A          | B    | C    | D    | E    | F    | G    | H                 |
| 50lb           | 6.50       | 2.90 | 0.74 | 0.50 | 5.50 | 2.00 | 0.45 | 5/16-18UNCx0.50dp |
| 125-250lb      | 6.50       | 2.90 | 1.46 | 0.50 | 5.50 | 2.00 | 0.45 | 5/16-18UNCx0.50dp |
| 625lb          | 8.00       | 3.75 | 1.91 | 0.50 | 7.00 | 2.75 | 0.52 |                   |



Single point



GPWS

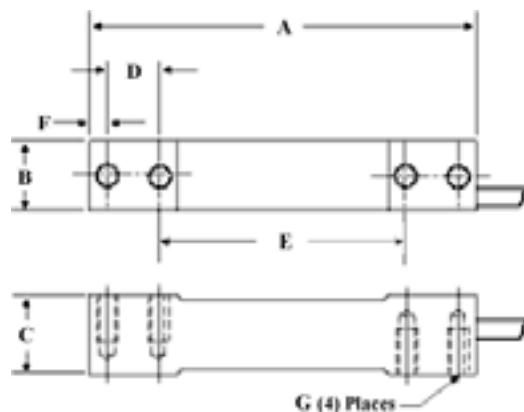
## GPWS General Sensor

Moisture proof, low profile, resistant to shock loading. Interchangeable with PWS - HBM. 2 mv/v, 350/350 ohms, 10 ft 4 wire cable, **stainless steel**. IP67.

| Part Number    | Capacity | Nominal | Weight | SKU  | List      |
|----------------|----------|---------|--------|------|-----------|
| GPWS-7-05500   | 7 kg     | 15 lb   | 2 lb   | 4933 | \$ 282.98 |
| GPWS-10-05500  | 10 kg    | 22 lb   | 2 lb   | 4934 | 282.98    |
| GPWS-15-05500  | 15 kg    | 33 lb   | 2 lb   | 4936 | 282.98    |
| GPWS-30-05500  | 30 kg    | 66 lb   | 2 lb   | 4937 | 282.98    |
| GPWS-60-05500  | 60 kg    | 130 lb  | 2 lb   | 4939 | 282.98    |
| GPWS-100-05500 | 100 kg   | 220 lb  | 3 lb   | 4941 | 282.98    |
| GPWS-150-05500 | 150 kg   | 330 lb  | 3 lb   | 4942 | 282.98    |

### Dimensions in inches

| Capacity  | A    | B    | C    | D    | E    | F    | G          |
|-----------|------|------|------|------|------|------|------------|
| 7kg-15kg  | 5.50 | 0.75 | 1.19 | 0.75 | 3.50 | 0.25 | 1/4-20 UNC |
| 30kg-60kg | 5.50 | 0.94 | 1.19 | 0.75 | 3.50 | 0.25 | 1/4-20 UNC |
| 100-150kg | 5.50 | 1.21 | 1.19 | 0.88 | 3.12 | 0.31 | 3/8-16 UNC |



Prices are subject to change without notice. Please call for current prices.

Other items are available from the manufacturers, please call for quote.

# Single Point

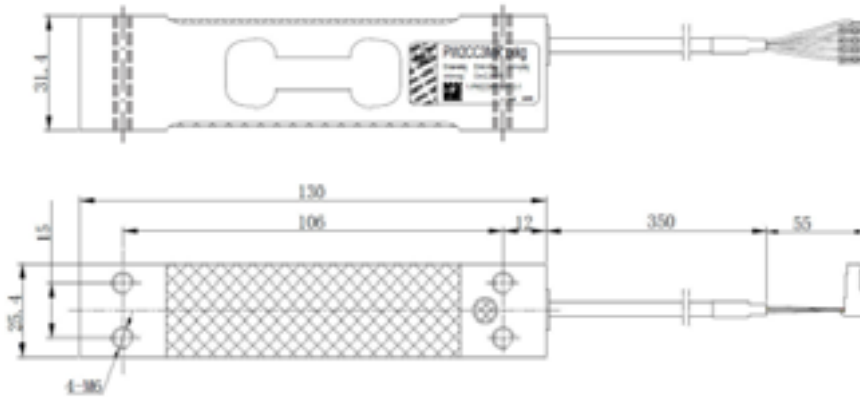
## PW2C HBM

2 mv/v, 300-500/300-500 ohms, 0.35m 4 wire. cable, aluminum, IP67.

| Part Number      | Capacity | Nominal | Weight  | SKU  | List      |
|------------------|----------|---------|---------|------|-----------|
| 1-PW2CRM/7.2KG-1 | 7.2 kg   | 15 lb   | 0.55 lb | 2716 | \$ 466.00 |
| 1-PW2CRM/12KG-1  | 12 kg    | 24 lb   | 0.55 lb | 2717 | 466.00    |
| 1-PW2CRM/18KG-1  | 18 kg    | 36 lb   | 0.55 lb | 2718 | 466.00    |
| 1-PW2CRM/36KG-1  | 36 kg    | 72 lb   | 0.55 lb | 2719 | 466.00    |
| 1-PW2CRM/72KG-1  | 72 kg    | 142 lb  | 0.55 lb | 2720 | 466.00    |



**PW2C**  
Single point



## PW2D HBM

2 mv/v, 300-500/300-500 ohms, 0.35m 4 wire. cable, aluminum, IP67.

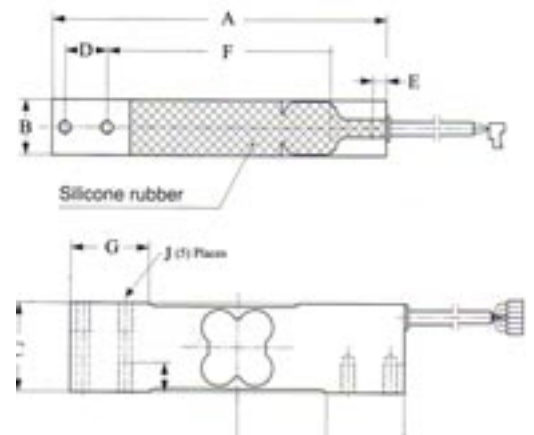
| Part Number      | Capacity | Weight | SKU | List      |
|------------------|----------|--------|-----|-----------|
| 1-PW2DC3/7.2KG-1 | 7.2 kg   | 1 lb   | 861 | \$ 408.00 |
| 1-PW2DC3/12KG-1  | 12 kg    | 1 lb   | 862 | 408.00    |
| 1-PW2DC3/18KG-1  | 18 kg    | 1 lb   | 863 | 408.00    |
| 1-PW2DC3/36KG-1  | 36 kg    | 1 lb   | 864 | 408.00    |
| 1-PW2DC3/72KG-1  | 72 kg    | 1 lb   | 865 | 408.00    |



**PW2D**  
Single point

### Dimensions in inches

| Capacity  | A    | B    | C    | D    | E    | F    | G     | H      | I    |
|-----------|------|------|------|------|------|------|-------|--------|------|
| 7.2-72 kg | 5.12 | 0.47 | 1.24 | 4.17 | 0.47 | 0.59 | 13.78 | 4 x M6 | 2.16 |



## PW2D-MR HBM Multi Range

2 mv/v, 300-500/300-500 ohms, 0.35m 6 wire. cable, aluminum, IP67.

| Part Number                | Capacity | Weight  | SKU  | List      |
|----------------------------|----------|---------|------|-----------|
| K-PW2D-MR-7.2-N-6 0.35-N-N | 7.2 kg   | 0.55 lb | 2973 | \$ 522.00 |
| K-PW2D-MR-12-N-6 0.35-N-N  | 12 kg    | 0.55 lb | 2974 | 522.00    |
| K-PW2D-MR-18-N-6 0.35-N-N  | 18 kg    | 0.55 lb | 2975 | 522.00    |
| K-PW2D-MR-36-N-6 0.35-N-N  | 36 kg    | 0.55 lb | 2976 | 522.00    |
| K-PW2D-MR-72-N-6 0.35-N-N  | 72 kg    | 0.55 lb | 2977 | 522.00    |

Prices are subject to change without notice. Please call for current prices.

Other items are available from the manufacturers, please call for quote.

13-01 Pollitt Dr Ext  
Fair Lawn NJ 07410  
201-797-2718

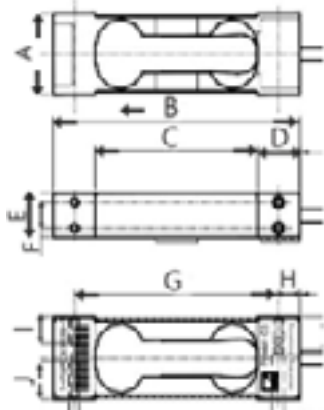
**Totalcomp**  
Components

www.totalcomp.com  
sales@totalcomp.com  
Fax 201-797-2287

# Single Point



PW4C3



## PW4 HBM

For determining small masses, Aluminum, Off center load compensated, shielded connection cable.

2 mv/v, 300/300 to 500/500 ohm, 1.5 ft 4 wire cable, anodized aluminum, IP65.

| Part Number  | Capacity | Nominal | Weight | SKU | List     |
|--------------|----------|---------|--------|-----|----------|
| 1-PW4C3/300g | 300 g    | 0.6 lb  | 1 lb   | 292 | \$543.00 |
| 1-PW4C3/500g | 500 g    | 1 lb    | 1 lb   | 293 | 543.00   |
| 1-PW4C3/2kg  | 2 kg     | 4 lb    | 1 lb   | 294 | 543.00   |
| 1-PW4C3/3kg  | 3 kg     | 6 lb    | 1 lb   | 295 | 543.00   |

## Dimensions(in mm; 1 mm= 0.03937)

| Capacity | A  | B  | C  | D  | E  | F | G  | H | I | J  |
|----------|----|----|----|----|----|---|----|---|---|----|
| 0.3g-3kg | 22 | 70 | 46 | 12 | 12 | 7 | 58 | 6 | 7 | 10 |

## PW6 HBM

Interchangeable with Tedeo 1022. M6 thread mounting holes on all capacities.

2 mv/v, 420/350 ohms, 1 ft 4 wire cable, anodized aluminum, IP67.

NTEP Legal for Trade 02-094

| Part Number      | Capacity | Nominal | Weight | SKU  | List      |
|------------------|----------|---------|--------|------|-----------|
| 1-PW6DC3/3KG-1 * | 3 kg     | 6 lb    | 1 lb   | 6460 | \$ 248.00 |
| 1-PW6DC3/5KG-1   | 5 kg     | 10 lb   | 1 lb   | 6461 | 248.00    |
| 1-PW6DC3/10KG-1  | 10 kg    | 20 lb   | 1 lb   | 6462 | 248.00    |
| 1-PW6DC3/15KG-1  | 15 kg    | 30 lb   | 1 lb   | 6463 | 248.00    |
| 1-PW6DC3/20KG-1  | 20 kg    | 40 lb   | 1 lb   | 6464 | 248.00    |
| 1-PW6DC3/30KG-1  | 30 kg    | 60 lb   | 1 lb   | 6465 | 248.00    |
| 1-PW6DC3/40KG-1  | 40 kg    | 150 lb  | 1 lb   | 6660 | 248.00    |

\* Not NTEP

## Dimensions in inches

| Capacity  | A    | B    | C    | D    | E    | F    | G  |
|-----------|------|------|------|------|------|------|----|
| 3kg-100kg | 5.12 | 1.00 | 0.86 | 4.17 | 0.47 | 0.59 | M6 |

## PW6 HBM Multi Range

Interchangeable with Tedeo 1022. M6 thread mounting holes on all capacities.

2 mv/v, 420/350 ohms, 1 ft 4 wire cable, anodized aluminum, IP67.

OIML Legal for Trade

| Part Number      | Capacity | Nominal | Weight  | SKU  | List      |
|------------------|----------|---------|---------|------|-----------|
| 1-PW6CMR/1.5KG-1 | 1.5 kg   | 3 lb    | 0.53 lb | 5364 | \$ 375.00 |
| 1-PW6CMR/3KG-1   | 3 kg     | 6 lb    | 0.53 lb | 5365 | 283.00    |
| 1-PW6CMR/5KG-1   | 5 kg     | 10 lb   | 0.53 lb | 5366 | 283.00    |
| 1-PW6CMR/10KG-1  | 10 kg    | 20 lb   | 0.53 lb | 5367 | 283.00    |
| 1-PW6CMR/15KG-1  | 15 kg    | 30 lb   | 0.53 lb | 5368 | 283.00    |
| 1-PW6CMR/20KG-1  | 20 kg    | 40 lb   | 0.53 lb | 5369 | 283.00    |
| 1-PW6CMR/30KG-1  | 30 kg    | 60 lb   | 0.53 lb | 5370 | 283.00    |
| 1-PW6CMR/40KG-1  | 40 kg    | 80 lb   | 0.53 lb | 5371 | 283.00    |

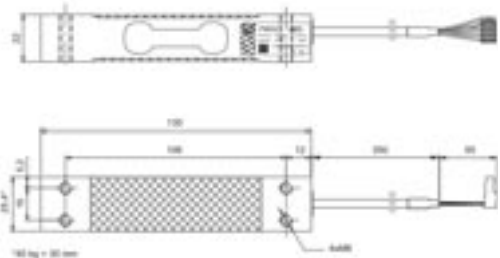
Single point



PW6  
Interchanges 1022



PW6-MR  
Interchanges 1022



Prices are subject to change without notice. Please call for current prices.

Other items are available from the manufacturers, please call for quote.

# Single Point

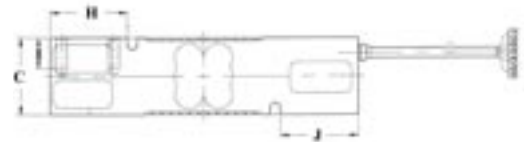
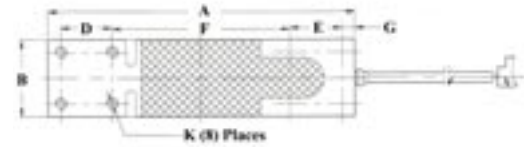
## PW10 HBM

Interchangeable with Tedeia 1241. Except for M6 thread mounting holes  
2 mv/v, 0.02% total error, 420/350 ohms, 5 ft 6 wire cable, anodized aluminum, IP67

| Part Number       | Capacity | Nominal | Weight | SKU  | List      |
|-------------------|----------|---------|--------|------|-----------|
| 1-PW10AC3/50KG-1  | 50 kg    | 100 lb  | 2 lb   | 6438 | \$ 560.00 |
| 1-PW10AC3/100KG-1 | 100 kg   | 200 lb  | 2 lb   | 6441 | 560.00    |
| 1-PW10AC3/150KG-1 | 150 kg   | 300 lb  | 2 lb   | 6442 | 560.00    |
| 1-PW10AC3/200KG-1 | 200 kg   | 400 lb  | 2 lb   | 6443 | 562.00    |
| 1-PW10AC3/250KG-1 | 250 kg   | 500 lb  | 2 lb   | 6444 | 562.00    |



**PW10**  
Interchanges 1241



### Dimensions in inches

| Capacity  | A    | B    | C    | D    | E    | F    | G    | H    | I    | J    | K  |
|-----------|------|------|------|------|------|------|------|------|------|------|----|
| 100-250kg | 5.90 | 1.50 | 1.50 | 1.00 | 1.00 | 3.41 | 0.25 | 1.50 | 0.47 | 1.50 | M6 |

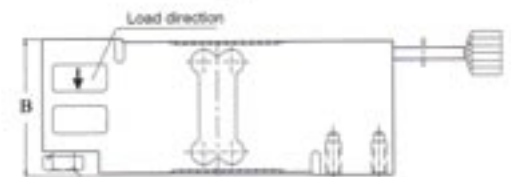
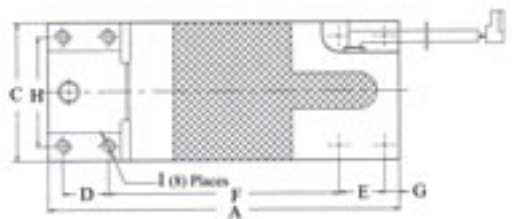
## PW12 HBM

Interchangeable with Tedeia 1250.  
2 mv/v, 420/350 ohms, 9 ft 6 wire cable, anodized aluminum, IP67.  
NTEP Legal for Trade 99-106

| Part Number                       | Capacity | Nominal  | Weight | SKU  | List      |
|-----------------------------------|----------|----------|--------|------|-----------|
| <b>UNC Thread</b>                 |          |          |        |      |           |
| 1-PW12CC3/75KGU-1                 | 75 kg    | 150 lb   | 7 lb   | 6469 | \$ 884.00 |
| 1-PW12CC3/200KGU-1                | 200 kg   | 400 lb   | 7 lb   | 6472 | 884.00    |
| 1-PW12CC3/250KGU-1                | 250 kg   | 500 lb   | 7 lb   | 6473 | 884.00    |
| <b>Metric Thread</b>              |          |          |        |      |           |
| 1-PW12CC3/100KG-1                 | 100 kg   | 200 lb   | 7 lb   | 6470 | 884.00    |
| 1-PW12CC3/150KG-1                 | 150 kg   | 300 lb   | 7 lb   | 6471 | 884.00    |
| 1-PW12CC3/300KG-1                 | 300 kg   | 600 lb   | 7 lb   | 6474 | 854.00    |
| 1-PW12CC3/500KG-1                 | 500 kg   | 1,000 lb | 7 lb   | 6475 | 854.00    |
| 1-PW12CC3/635KG-1                 | 635 kg   | 1,270 lb | 7 lb   | 6476 | 854.00    |
| <b>Multi Range, metric thread</b> |          |          |        |      |           |
| K-PW12C-N-MR-150-N-3-N-10-N       | 150 kg   | 300 lb   | 7 lb   | 6439 | 861.00    |



**PW12**  
Interchanges 1250



### Dimensions in inches (Metric Thread)

| Capacity    | A    | B    | C    | D    | E    | F    | G    | H    | I  |
|-------------|------|------|------|------|------|------|------|------|----|
| 50kg-1000kg | 7.52 | 2.95 | 3.00 | 0.98 | 0.98 | 4.92 | 0.31 | 2.36 | M8 |

### Dimensions in inches (UNC Thread)

| Capacity    | A    | B    | C    | D    | E    | F    | G    | H    | I            |
|-------------|------|------|------|------|------|------|------|------|--------------|
| 50kg-1000kg | 7.52 | 2.95 | 3.00 | 0.98 | 0.98 | 4.92 | 0.31 | 2.36 | 5/16 -18 UNC |

Prices are subject to change without notice. Please call for current prices.

Other items are available from the manufacturers, please call for quote.

13-01 Pollitt Dr Ext  
Fair Lawn NJ 07410  
201-797-2718

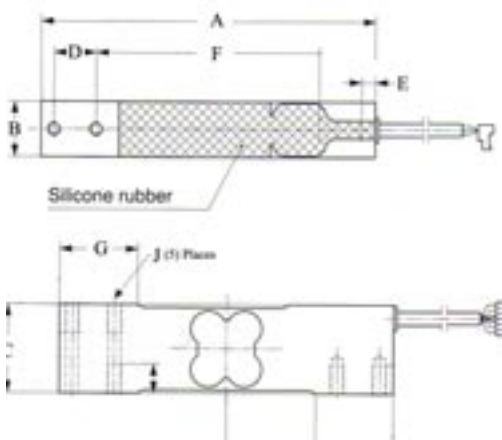
**Totalcomp**  
Components

www.totalcomp.com  
sales@totalcomp.com  
Fax 201-797-2287

# Single Point



PW15B



## PW15B HBM

Interchangeable with Tedea Model 1140. Mounting screws are 1/4-20 UNC(coarse) with 3/4" spacing on both top and bottom. Used in hostile, corrosive and high shock environments.

2 mv/v, 350/350 ohm, 10 ft 6 wire cable, **stainless steel**, IP67.

| Part Number        | Capacity | Nominal | Weight  | SKU  | List      |
|--------------------|----------|---------|---------|------|-----------|
| 1-PW15BC3/10KG-1   | 10 kg    | 20 lb   | 2.64 lb | 8401 | \$ 422.00 |
| 1-PW15BC3/15KGU-1  | 15 kg    | 30 lb   | 2.64 lb | 8402 | 431.00    |
| 1-PW15BC3/20KGU-1  | 20 kg    | 40 lb   | 2.64 lb | 8403 | 422.00    |
| 1-PW15BC3/30KGU-1  | 30 kg    | 60 lb   | 2.64 lb | 8404 | 422.00    |
| 1-PW15BC3/50KGU-1  | 50 kg    | 100 lb  | 2.64 lb | 8405 | 422.00    |
| 1-PW15BC3/75KGU-1  | 75 kg    | 150 lb  | 2.64 lb | 8406 | 431.00    |
| 1-PW15BC3/100KGU-1 | 100 kg   | 200 lb  | 2.64 lb | 8407 | 367.00    |
| 1-PW15BC3/150KGU-1 | 150 kg   | 300 lb  | 2.64 lb | 8408 | 431.00    |

### Dimensions in inches

| Capacity   | A    | B    | C    | D    | E    | F    | G    | H    | I    | J          |
|------------|------|------|------|------|------|------|------|------|------|------------|
| 10kg-150kg | 5.90 | 0.79 | 1.00 | 0.75 | 0.75 | 3.94 | 0.25 | 2.95 | 1.37 | 1/4-20 UNC |

Single point



PW15AH



## PW15AH HBM

Interchangeable with Tedea Model 1140. Hermetically sealed stainless steel. Used in hostile, corrosive and high shock environments.

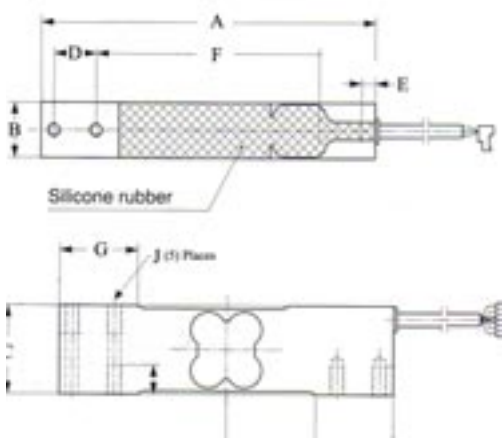
2 mv/v, 350/350 ohm, 3m 6 wire cable, **stainless steel**, IP68/IP69K.

NTEP Legal for Trade 09-013

| Part Number        | Capacity | Nominal | Weight  | SKU  | List        |
|--------------------|----------|---------|---------|------|-------------|
| 1-PW15AHC3/10KG-1  | 10 kg    | 20 lb   | 2.64 lb | 7718 | \$ 1,574.00 |
| 1-PW15AHC3/20KG1   | 20 kg    | 40 lb   | 2.64 lb | 7719 | 1,574.00    |
| 1-PW15AHC3/50KG-1  | 50 kg    | 100 lb  | 2.64 lb | 7720 | 1,574.00    |
| 1-PW15AHC3/100KG-1 | 100 kg   | 200 lb  | 2.64 lb | 7721 | 1,574.00    |

### Dimensions in inches

| Capacity   | A    | B    | C    | D    | E    | F    | G    | H    | I    | J  |
|------------|------|------|------|------|------|------|------|------|------|----|
| 10kg-100kg | 5.90 | 0.79 | 1.00 | 0.75 | 0.75 | 3.94 | 0.25 | 2.95 | 1.37 | M6 |



Prices are subject to change without notice. Please call for current prices.

Other items are available from the manufacturers, please call for quote.



# Single Point

## PW15PH HBM

Interchangeable with Tedea Model 1140. Hermetically sealed stainless steel. Used in hostile, corrosive and high shock environments.  
 2 mv/v, 350/350 ohm, conector plug, **stainless steel**, IP68/IP69K.  
 NTEP Legal for Trade 09-013

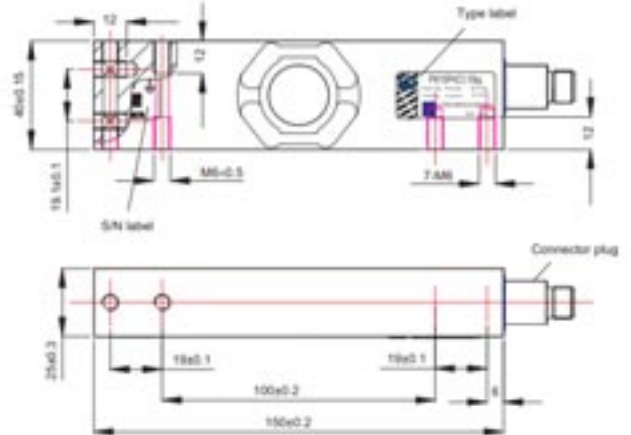
| Part Number        | Capacity | Nominal | Weight  | SKU  | List        |
|--------------------|----------|---------|---------|------|-------------|
| 1-PW15PHC3/10KG-1  | 10 kg    | 20 lb   | 2.43 lb | 7133 | \$ 1,799.00 |
| 1-PW15PHC3/20KG1   | 20 kg    | 40 lb   | 2.43 lb | 7134 | 1,799.00    |
| 1-PW15PHC3/50KG-1  | 50 kg    | 100 lb  | 2.43 lb | 7135 | 1,799.00    |
| 1-PW15PHC3/100KG-1 | 100 kg   | 200 lb  | 2.43 lb | 7136 | 1,799.00    |



PW15PH



Dimensions (in mm, 1 mm = 0.03937 inches)



Single point

Prices are subject to change without notice. Please call for current prices.

Other items are available from the manufacturers, please call for quote.

13-01 Pollitt Dr Ext  
 Fair Lawn NJ 07410  
 201-797-2718

 **Totalcomp**  
 Components

www.totalcomp.com  
 sales@totalcomp.com  
 Fax 201-797-2287

# Single Point



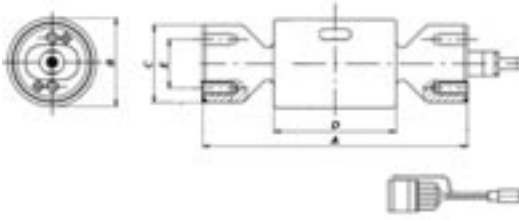
PW27  
Beam

## PW27 HBM

Platform load cell (single point) with aseptic design. Stainless steel.  
Uses (2) "O" ring seals. One on each end.  
2 mv/v, 300-500/300-500 ohms, 3m 6 wire. cable, **stainless steel**, IP68/IP69.

| Part Number     | Capacity | Weight | SKU | List        |
|-----------------|----------|--------|-----|-------------|
| I-PW27C3/10KG-1 | 10 kg    | 3 lb   | 640 | \$ 1,456.00 |
| I-PW27C3/20KG-1 | 20 kg    | 3 lb   | 641 | 1,456.00    |

Single point



### Dimensions in inches

| Capacity | A     | B     | C     | D     | E     |
|----------|-------|-------|-------|-------|-------|
| 10 kg    | 5.126 | 1.713 | 1.500 | 2.400 | 0.950 |
| 20 kg    | 5.126 | 1.713 | 1.500 | 2.400 | 0.950 |



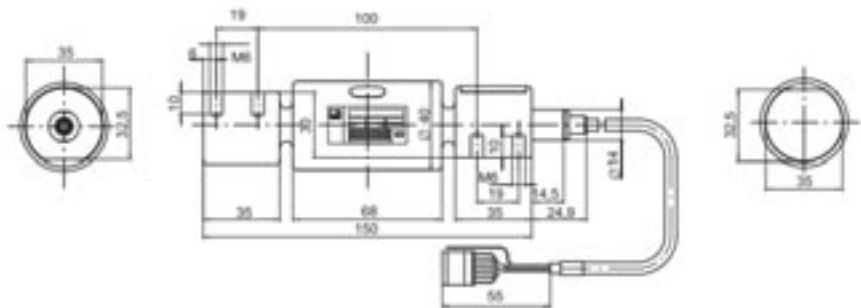
PW25 Hygienic

## PW25 HBM hygienic

Stainless steel, hermetically sealed for hygienic applications that need water at high pressure, steam jet cleaning..  
2 mv/v, 300-500/300-500 ohm, 3m 6 wire cable, 17-4 **stainless steel**, IP69K.

| Part Number     | Capacity | Weight  | SKU  | List        |
|-----------------|----------|---------|------|-------------|
| 1-PW25C3/10kg-1 | 10 kg    | 2.76 lb | 2271 | \$ 1,454.00 |
| 1-PW25C3/20kg-1 | 20 kg    | 2.76 lb | 2272 | 1,454.00    |

### Dimensions in mm



# Single Point

## PW22 HBM

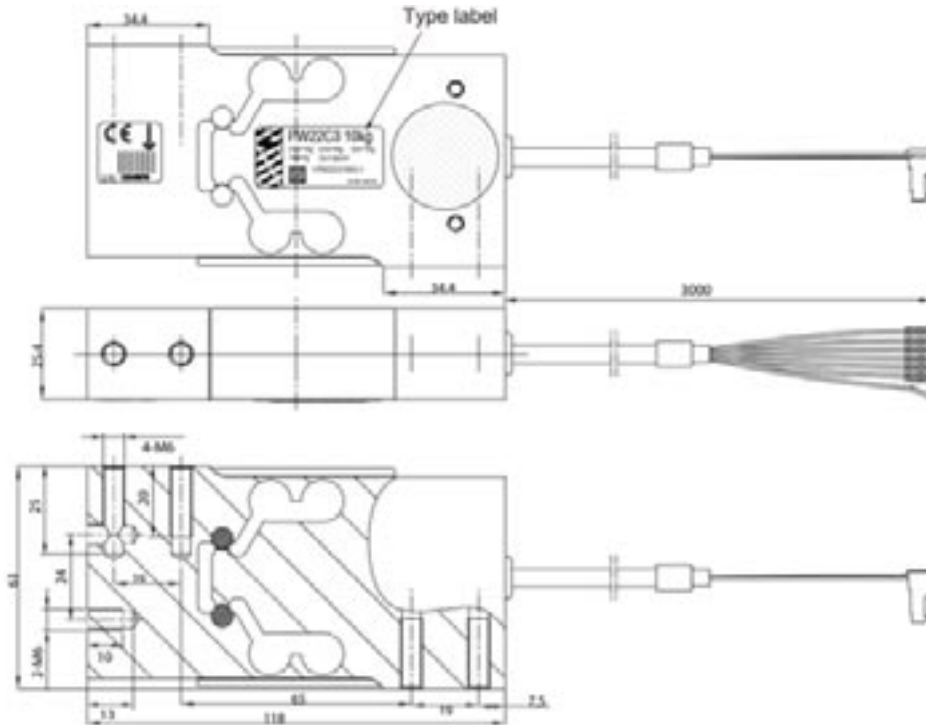
2 mv/v, 300-500/300-500 ohms, 1.5m 6 wire cable, anodized aluminum, IP67.

| Part Number     | Capacity | Nominal | Weight | SKU  | List        |
|-----------------|----------|---------|--------|------|-------------|
| 1-PW22C3/6kg-1  | 6 kg     | 12 lb   | 2 lb   | 1586 | \$ 1,110.00 |
| 1-PW22C3/10kg-1 | 10 kg    | 20 lb   | 2 lb   | 1587 | 1,110.00    |
| 1-PW22C3/20kg-1 | 20 kg    | 40 lb   | 2 lb   | 1588 | 1,110.00    |
| 1-PW22C3/30kg-1 | 30 kg    | 60 lb   | 2 lb   | 1589 | 1,110.00    |



PW 22

### Dimensions in mm



Single point

## PW29 HBM

Hermetically sealed (encapsulated) stainless steel IP68, IP69K

2 mv/v, 380 ohm input, 300-500 ohm output, 1.5m 6 wire cable, anodized aluminum, IP68, IP69K.

| Part Number      | Capacity | Weight   | SKU  | List        |
|------------------|----------|----------|------|-------------|
| 1-PW29C3/100kg-1 | 100 kg   | 13.88 lb | 2026 | \$ 1,933.00 |
| 1-PW29C3/250kg-1 | 250 kg   | 13.88 lb | 2027 | 1,933.00    |
| 1-PW29C3/500kg-1 | 500 kg   | 13.88 lb | 2028 | 1,933.00    |
| 1-PW29C3/750kg-1 | 750 kg   | 13.88 lb | 2029 | 1,933.00    |
| 1-PW29C3/1T-1    | 1,000 kg | 13.88 lb | 2030 | 1,933.00    |



PW 29

Prices are subject to change without notice. Please call for current prices.

Other items are available from the manufacturers, please call for quote.

13-01 Pollitt Dr Ext  
Fair Lawn NJ 07410  
201-797-2718

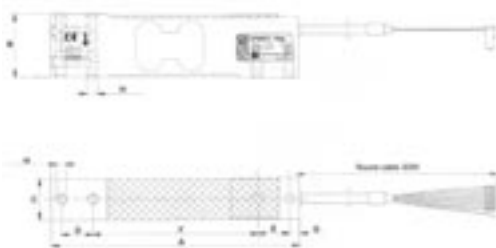
**Totalcomp**  
Components

www.totalcomp.com  
sales@totalcomp.com  
Fax 201-797-2287

# Single Point



SP4



## SP4 HBM

Interchangeable with Tedeo Model 1040. Mounting screws are 1/4-20 UNC(coarse) with 3/4" spacing on both top and bottom.  
2 mv/v, 350/350 ohm, 10 ft 6 wire cable, anodized aluminum, IP67.

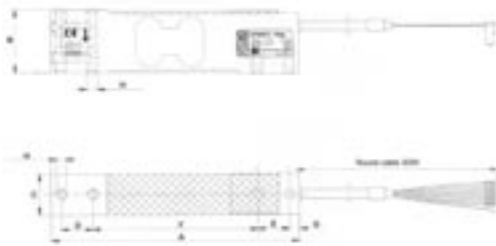
| Part Number       | Capacity | Nominal | Weight  | SKU  | List      |
|-------------------|----------|---------|---------|------|-----------|
| 1-SP4MC3/1KGU-1   | 1 kg     | 2 lb    | 0.84 lb | 8308 | \$ 151.00 |
| 1-SP4MC3/3KGU-1   | 3 kg     | 6 lb    | 0.84 lb | 8309 | 151.00    |
| 1-SP4MC3/5KGU-1   | 5 kg     | 10 lb   | 0.84 lb | 8310 | 151.00    |
| 1-SP4MC3/7KGU-1   | 7 kg     | 15 lb   | 0.84 lb | 8409 | 157.00    |
| 1-SP4MC3/10KGU-1  | 10 kg    | 20 lb   | 0.84 lb | 8410 | 157.00    |
| 1-SP4MC3/15KGU-1  | 15 kg    | 30 lb   | 0.84 lb | 8411 | 157.00    |
| 1-SP4MC3/20KGU-1  | 20 kg    | 40 lb   | 0.84 lb | 8412 | 157.00    |
| 1-SP4MC3/30KGU-1  | 30 kg    | 60 lb   | 0.84 lb | 8413 | 157.00    |
| 1-SP4MC3/50KGU-1  | 50 kg    | 100 lb  | 0.84 lb | 8414 | 157.00    |
| 1-SP4MC3/75KGU-1  | 75 kg    | 150 lb  | 0.84 lb | 8415 | 157.00    |
| 1-SP4MC3/100KGU-1 | 100 kg   | 200 lb  | 0.84 lb | 8416 | 157.00    |
| 1-SP4MC3/200KGU-1 | 200 kg   | 400 lb  | 0.84 lb | 8417 | 157.00    |

### Dimensions in inches

| Capacity  | A    | B    | C    | D    | E    | F    | G    | H    | I          |
|-----------|------|------|------|------|------|------|------|------|------------|
| 7kg-200kg | 5.90 | 0.79 | 1.00 | 0.75 | 0.75 | 3.94 | 2.95 | 0.22 | 1/4-20 UNC |



SP4 Metric



## SP4 HBM Metric

Interchangeable with Tedeo Model 1040. Mounting screws are metric M6 with 3/4" spacing on both top and bottom. Metric threads  
2 mv/v, 350/350 ohm, 10 ft 6 wire cable, anodized aluminum, IP67.

| Part Number        | Capacity | Nominal | Weight | SKU  | List      |
|--------------------|----------|---------|--------|------|-----------|
| 1-SP4MC3MR/1KG-1   | 1 kg     | 2 lb    | 2 lb   | 3766 | \$ 412.00 |
| 1-SP4MC3MR/3KG-1   | 3 kg     | 6 lb    | 2 lb   | 3767 | 412.00    |
| 1-SP4MC3MR/5KG-1   | 5 kg     | 10 lb   | 2 lb   | 3768 | 412.00    |
| 1-SP4MC3MR/7KG-1   | 7 kg     | 14 lb   | 2 lb   | 3769 | 412.00    |
| 1-SP4MC3MR/10KG-1  | 10 kg    | 20 lb   | 2 lb   | 3770 | 412.00    |
| 1-SP4MC3MR/15KG-1  | 15 kg    | 30 lb   | 2 lb   | 3771 | 412.00    |
| 1-SP4MC3MR/20KG-1  | 20 kg    | 40 lb   | 2 lb   | 3772 | 412.00    |
| 1-SP4MC3MR/30KG-1  | 30 kg    | 60 lb   | 2 lb   | 3773 | 412.00    |
| 1-SP4MC3MR/50KG-1  | 50 kg    | 100 lb  | 2 lb   | 3774 | 412.00    |
| 1-SP4MC3MR/75KG-1  | 75 kg    | 150 lb  | 2 lb   | 3775 | 412.00    |
| 1-SP4MC3MR/100KG-1 | 100 kg   | 200 lb  | 2 lb   | 3776 | 412.00    |
| 1-SP4MC3MR/150KG-1 | 150 kg   | 300 lb  | 2 lb   | 3777 | 412.00    |
| 1-SP4MC3MR/200KG-1 | 200 kg   | 400 lb  | 2 lb   | 3778 | 412.00    |

### Dimensions in mm

| Capacity  | A      | B    | C    | D     | E     | F     | G     | H    | I  |
|-----------|--------|------|------|-------|-------|-------|-------|------|----|
| 7kg-200kg | 149.86 | 20.1 | 25.4 | 19.05 | 19.05 | 100.1 | 74.93 | 5.58 | M6 |

Prices are subject to change without notice. Please call for current prices.

Other items are available from the manufacturers, please call for quote.

# Single Point

## PWS HBM

Moisture proof, low profile, resistant to shock loading.  
2 mv/v, 350/350 ohms, 10 ft 4 wire cable, **stainless steel**.  
NTEP Legal for Trade 92-099  
FM Approved

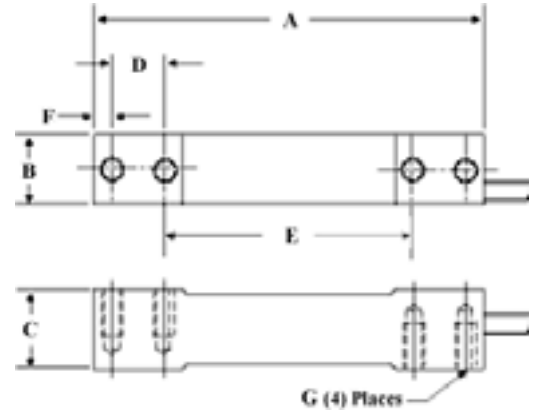
| Part Number     | Capacity | Nominal | Weight | SKU  | List      |
|-----------------|----------|---------|--------|------|-----------|
| PWS-7KG-10500   | 7 kg     | 15 lb   | 2 lb   | 1831 | \$ 361.00 |
| PWS-10KG-10500  | 10 kg    | 22 lb   | 2 lb   | 1832 | 361.00    |
| PWS-15KG-10500  | 15 kg    | 33 lb   | 2 lb   | 1833 | 361.00    |
| PWS-30KG-10500  | 30 kg    | 66 lb   | 2 lb   | 1834 | 361.00    |
| PWS-60KG-10500  | 60 kg    | 130 lb  | 2 lb   | 1835 | 361.00    |
| PWS-100KG-10500 | 100 kg   | 220 lb  | 3 lb   | 1836 | 361.00    |
| PWS-150KG-10500 | 150 kg   | 330 lb  | 3 lb   | 1837 | 361.00    |

### Dimensions in inches

| Capacity  | A    | B    | C    | D    | E    | F    | G          |
|-----------|------|------|------|------|------|------|------------|
| 7kg-15kg  | 5.50 | 0.75 | 1.19 | 0.75 | 3.50 | 0.25 | 1/4-20 UNC |
| 30kg-60kg | 5.50 | 0.94 | 1.19 | 0.75 | 3.50 | 0.25 | 1/4-20 UNC |
| 100-150kg | 5.50 | 1.21 | 1.19 | 0.88 | 3.12 | 0.31 | 3/8-16 UNC |



PWS



Single point

## DF2SR HBM

2 mv/v, 1,000/1,000 ohms, 3.5m 4 wire cable, anodized aluminum, IP67.

| Part Number      | Capacity | Nominal | Weight | SKU  | List      |
|------------------|----------|---------|--------|------|-----------|
| 1-DF2SR-3/1KG-1  | 1 kg     | 2 lb    | 1 lb   | 2033 | \$ 194.00 |
| 1-DF2SR-3/3KG-1  | 3 kg     | 6 lb    | 1 lb   | 2034 | 194.00    |
| 1-DF2SR-3/5KG-1  | 5 kg     | 10 lb   | 1 lb   | 2035 | 194.00    |
| 1-DF2SR-3/10KG-1 | 10 kg    | 20 lb   | 1 lb   | 2036 | 194.00    |
| 1-DF2SR-3/15KG-1 | 15 kg    | 30 lb   | 1 lb   | 2038 | 194.00    |
| 1-DF2SR-3/20KG-1 | 20 kg    | 40 lb   | 1 lb   | 2039 | 194.00    |



DF2SR  
Single point

## PLC HBM

Mounting screws are 1/4-20 UNC (coarse) with 0.75" spacing on both top and bottom  
2 mv/v, 0.02% nonlinearity, 400/350 ohms, 18" 4 wire cable, anodized aluminum.  
NTEP Legal for Trade 87-096

| Part Number | Capacity | Weight | SKU | List      |
|-------------|----------|--------|-----|-----------|
| PLC-20      | 20 lb    | 2 lb   | 606 | \$ 380.00 |



PLC



Prices are subject to change without notice. Please call for current prices.

Other items are available from the manufacturers, please call for quote.

13-01 Pollitt Dr Ext  
Fair Lawn NJ 07410  
201-797-2718

**Totalcomp**  
Components

www.totalcomp.com  
sales@totalcomp.com  
Fax 201-797-2287

# Single Point



60048  
60048-0108

## 60048 Scentroidronics

These cells are potted with a special elastic sealant for use in high moisture scales.  
2 mv/v, 350/350 ohms, 10 ft 4 wire cable, **stainless steel**, IP67.

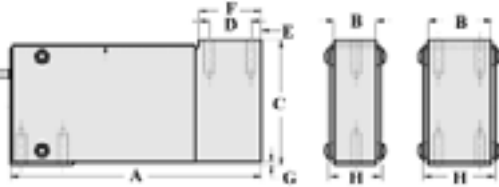
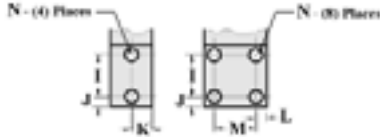
| Part Number | Capacity | Weight | SKU | List      |
|-------------|----------|--------|-----|-----------|
| 60048-25    | 25 lb    | 5 lb   | 162 | \$ 560.79 |
| 60048-50    | 50 lb    | 5 lb   | 163 | 547.75    |
| 60048-100   | 100 lb   | 5 lb   | 164 | 547.75    |
| 60048-200   | 200 lb   | 5 lb   | 165 | 547.75    |
| 60048-400   | 400 lb   | 5 lb   | 166 | 606.43    |
| 60048-500   | 500 lb   | 5 lb   | 372 | 623.82    |
| 60048-1K    | 1,000 lb | 7 lb   | 373 | 658.60    |

### Dimensions in inches

| Capacity | A    | B    | C    | D    | E    | F    | G    | H    |
|----------|------|------|------|------|------|------|------|------|
| 25-200   | 6.00 | 1.00 | 3.00 | 1.00 | 0.25 | 1.50 | 0.09 | 1.25 |
| 400-500  | 6.00 | 1.00 | 3.00 | 1.00 | 0.25 | 1.50 | 0.09 | 1.25 |
| 1K       | 6.00 | 1.50 | 3.00 | 1.00 | 0.25 | 1.50 | 0.09 | 1.25 |

### Dimensions in inches

| Capacity | I    | J    | K    | L    | M    | N           |
|----------|------|------|------|------|------|-------------|
| 25-200   | 1.00 | 0.25 | 0.50 | 0.25 | ---- | 1/4-28 UNF  |
| 400-500  | 1.00 | 0.25 | 0.50 | 0.25 | 0.50 | 1/4-28 UNF  |
| 1K       | 1.00 | 0.25 | 0.50 | 0.25 | 1.00 | 5/16-24 UNF |



Single point



60051

## 60051 Scentroidronics

Replacement for TedeA Model 1010, NCI Mark III and NCI Mark IX. Mounting screws are 1/4- 28 UNF(fine) with 3/4" spacing on both top and bottom.  
2 mv/v, 350/350 ohms, 10 ft 4 wire cable, **stainless steel**, IP67.

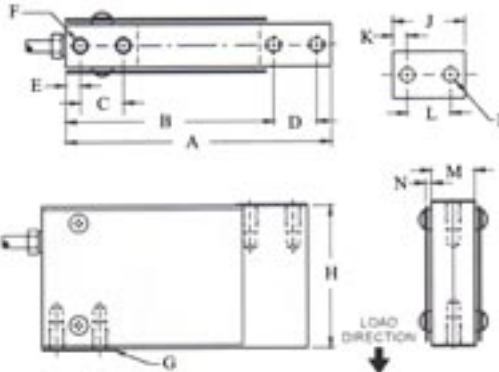
| Part Number | Capacity | Weight | SKU  | List      |
|-------------|----------|--------|------|-----------|
| 60051-10    | 10 lb    | 2 lb   | 1230 | \$ 684.00 |
| 60051-15    | 15 lb    | 2 lb   | 1231 | 634.00    |
| 60051-25    | 25 lb    | 2 lb   | 1232 | 637.00    |
| 60051-50    | 50 lb    | 3 lb   | 1382 | 492.00    |
| 60051-100   | 100 lb   | 3 lb   | 1383 | 683.00    |
| 60051-200   | 200 lb   | 3 lb   | 1384 | 729.00    |

### Dimensions in inches

| Capacity   | A    | B    | C    | D    | E    | F          | G    | H    |
|------------|------|------|------|------|------|------------|------|------|
| 10lb-25lb  | 4.63 | 3.63 | 0.75 | 0.75 | 0.25 | 1/4-20 UNC | 0.25 | 2.50 |
| 50lb-200lb | 4.63 | 3.63 | 0.75 | 0.75 | 0.25 | 1/4-20 UNC | 0.25 | 2.50 |

### Dimensions in inches

| Capacity   | I    | J    | K    | L    | M    | N    |
|------------|------|------|------|------|------|------|
| 10lb-25lb  | 0.25 | 1.25 | 0.25 | 0.75 | 0.50 | 0.10 |
| 50lb-200lb | 0.25 | 1.25 | 0.25 | 0.75 | 0.75 | 0.10 |



# Single Point

## 60060 Sontortronics, aluminum

Interchangeable with Tedeia Model 1250.

2 mv/v ,0.02% total error, 350/350 ohms, 10 ft 4 wire cable, anodized aluminum, IP67.

NTEP Legal for Trade 98-038

| Part Number | Capacity | Weight | SKU  | List      |
|-------------|----------|--------|------|-----------|
| 60060-100 * | 100 lb   | 6 lb   | 2684 | \$ 336.91 |
| 60060-250   | 250 lb   | 6 lb   | 2300 | 336.91    |
| 60060-500   | 500 lb   | 6 lb   | 2301 | 336.91    |
| 60060-750   | 750 lb   | 6 lb   | 2302 | 336.91    |
| 60060-1K    | 1,000 lb | 6 lb   | 2303 | 336.91    |
| 60060-2K    | 2,000 lb | 6 lb   | 2304 | 336.91    |

\* Not NTEP

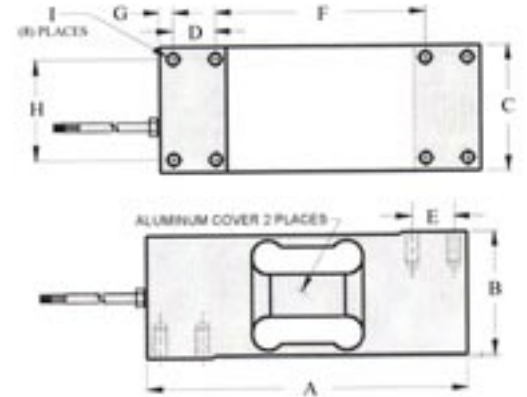


60060-AL



### Dimensions in inches

| Capacity | A    | B    | C    | D    | E    | F    | G    | H    | I           |
|----------|------|------|------|------|------|------|------|------|-------------|
| 100-2000 | 7.50 | 2.95 | 2.95 | 0.98 | 0.98 | 4.92 | 0.31 | 2.36 | 5/16-18 UNC |



Single point

Prices are subject to change without notice. Please call for current prices.

Other items are available from the manufacturers, please call for quote.

13-01 Pollitt Dr Ext  
Fair Lawn NJ 07410  
201-797-2718

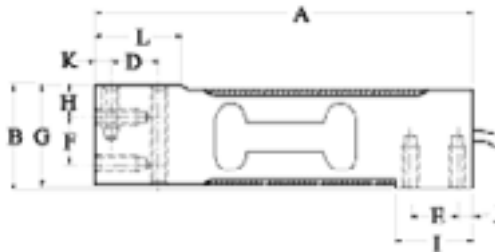
**Totalcomp**  
Components

www.totalcomp.com  
sales@totalcomp.com  
Fax 201-797-2287

# Single Point



BCA



## BCA CAS

Replacement for Tedea Model 1040. Mounting screws are 1/4-20UNC(coarse) with 3/4" spacing on both top and bottom.  
2 mv/v, 10 ft 4 wire cable, 400/350 ohm, anodized aluminum, IP67.  
NTEP Legal for Trade 96-131

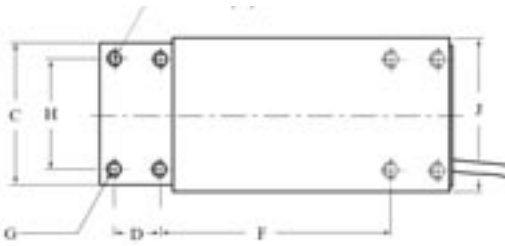
| Part Number | Capacity | Nominal | Weight | SKU  | List     |
|-------------|----------|---------|--------|------|----------|
| BCA-5L      | 5 kg     | 10 lb   | 2 lb   | 5674 | \$ 99.00 |
| BCA-10L     | 10 kg    | 20 lb   | 2 lb   | 5675 | 99.00    |
| BCA-15L     | 15 kg    | 30 lb   | 3 lb   | 5676 | 99.00    |
| BCA-20L     | 20 kg    | 40 lb   | 3 lb   | 5677 | 99.00    |
| BCA-30L     | 30 kg    | 60 lb   | 3 lb   | 5678 | 99.00    |
| BCA-50L     | 50 kg    | 100 lb  | 3 lb   | 5679 | 99.00    |
| BCA-75L     | 75 kg    | 150 lb  | 3 lb   | 5680 | 99.00    |
| BCA-100L    | 100 kg   | 200 lb  | 3 lb   | 5681 | 99.00    |

### Dimensions in inches

| Capacity  | A   | B    | C    | D    | E    | F    | G    | H    | I    | J    | K    | L    |
|-----------|-----|------|------|------|------|------|------|------|------|------|------|------|
| 5kg-100kg | 5.9 | 1.57 | 0.98 | 0.75 | 0.75 | 0.75 | 1.52 | 0.47 | 1.22 | 0.25 | 0.25 | 1.34 |



BCM



## BCM CAS

Interchangeable with Tedea Model 1250.  
2 mv/v, 400/350 ohms, 10 ft 4 wire cable, anodized aluminum.  
NTEP Legal for Trade 97-008

| Part Number | Capacity | Nominal  | Weight | SKU  | List      |
|-------------|----------|----------|--------|------|-----------|
| BCM-50L     | 50 kg    | 100 lb   | 5 lb   | 5660 | \$ 199.00 |
| BCM-75L     | 75 kg    | 150 lb   | 5 lb   | 5661 | 199.00    |
| BCM-100L    | 100 kg   | 200 lb   | 5 lb   | 5662 | 199.00    |
| BCM-150L    | 150 kg   | 300 lb   | 5 lb   | 5663 | 199.00    |
| BCM-200L    | 200 kg   | 400 lb   | 5 lb   | 5664 | 199.00    |
| BCM-300L    | 300 kg   | 600 lb   | 5 lb   | 5665 | 199.00    |
| BCM-500L    | 500 kg   | 1,000 lb | 5 lb   | 5666 | 199.00    |

### Dimensions in inches

| Capacity   | A    | B    | C    | D     | E    | F    | G    | H    | I    | J    | K       |
|------------|------|------|------|-------|------|------|------|------|------|------|---------|
| 50kg-500kg | 7.52 | 2.97 | 3.00 | 0.980 | 0.98 | 4.92 | 0.25 | 2.36 | 2.67 | 3.20 | 5/16-18 |

Prices are subject to change without notice. Please call for current prices.

Other items are available from the manufacturers, please call for quote.



# Single Point

## LPS Celtron

2 mv/v, 410/350 ohms, 2.10M cable, anodized aluminum, IP66.

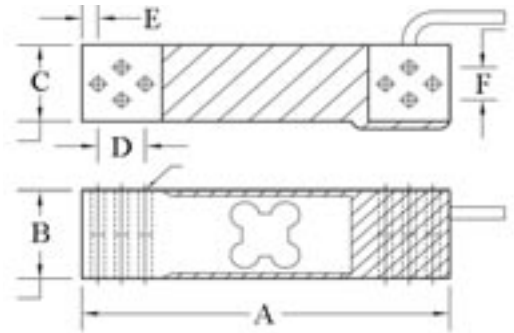
| Part Number | Capacity | Nominal | Weight | SKU  | List      |
|-------------|----------|---------|--------|------|-----------|
| LPS-2kg-S   | 2 kg     | 4 lb    | 2 lb   | 7659 | \$ 125.40 |
| LPS-60kg-S  | 60 kg    | 130 lb  | 2 lb   | 7656 | 125.40    |
| LPS-100kg-S | 100 kg   | 220 lb  | 2 lb   | 7657 | 125.40    |
| LPS-200kg-S | 200 kg   | 440 lb  | 2 lb   | 7658 | 125.40    |



LPS

### Dimensions in inches

| Capacity  | A    | B    | C    | D    | E    | F    | G      |
|-----------|------|------|------|------|------|------|--------|
| 2kg-200kg | 5.91 | 1.57 | 1.38 | 0.75 | 0.28 | 0.59 | M6 x 8 |



Single point

## D1250 Diamond, stainless steel

Interchangeable with Tedea Model 1250 and Sensortronics Model 60060-SS.  
2 mv/v, 400/350 ohms, 8 ft 4 wire cable, stainless steel, IP67.

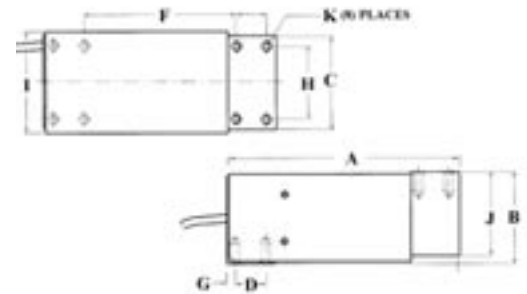
| Part Number  | Capacity | Weight | SKU  | List      |
|--------------|----------|--------|------|-----------|
| D1250-100-SS | 100 lb   | 15 lb  | 7072 | \$ 916.00 |
| D1250-250-SS | 250 lb   | 15 lb  | 7073 | 916.00    |
| D1250-500-SS | 500 lb   | 15 lb  | 7074 | 916.00    |
| D1250-750-SS | 750 lb   | 15 lb  | 7075 | 916.00    |
| D1250-1K-SS  | 1,000 lb | 15 lb  | 7076 | 916.00    |
| D1250-2K-SS  | 2,000 lb | 15 lb  | 7077 | 916.00    |



D1250-100-SS

### Dimensions in inches

| Capacity | A    | B    | C    | D    | E    | F    | G    | H    | I    | J    | K           |
|----------|------|------|------|------|------|------|------|------|------|------|-------------|
| 50-2000  | 7.52 | 2.97 | 3.00 | 0.98 | 0.98 | 4.92 | 0.25 | 2.36 | 3.20 | 2.67 | 5/16-18 UNC |



Prices are subject to change without notice. Please call for current prices.

Other items are available from the manufacturers, please call for quote.

13-01 Pollitt Dr Ext  
Fair Lawn NJ 07410  
201-797-2718

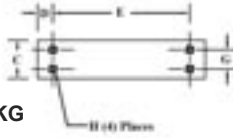
**Totalcomp**  
Components

www.totalcomp.com  
sales@totalcomp.com  
Fax 201-797-2287

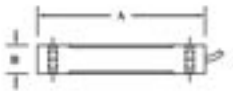
# Single Point



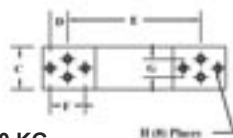
CG-22



3 KG to 30 KG



60 KG to 100 KG



## CG-22 Coti Global

Interchangeable with NMB C2G1, Scaime EP, Toledo 0765, General Sensor GC2G1 except for the 3kg, 5kg and 30kg capacities and Toledo model 0765.  
2 mv/v, 415/350 ohms, 10 ft 4 wire cable, anodized aluminum, IP67  
NTEP Legal for Trade 96-122

| Part Number | Capacity | Nominal | Weight | SKU  | List      |
|-------------|----------|---------|--------|------|-----------|
| CG-22-3K    | 3 kg     | 6 lb    | 1 lb   | 1770 | \$ 151.80 |
| CG-22-5K    | 5 kg     | 10 lb   | 1 lb   | 1771 | 151.80    |
| CG-22-6K    | 6 kg     | 12 lb   | 1 lb   | 1772 | 151.80    |
| CG-22-7K    | 7 kg     | 14 lb   | 1 lb   | 1773 | 151.80    |
| CG-22-10K   | 10 kg    | 30 lb   | 1 lb   | 1774 | 151.80    |
| CG-22-15K   | 15 kg    | 40 lb   | 1 lb   | 1775 | 151.80    |
| CG-22-20K   | 20 kg    | 60 lb   | 1 lb   | 1776 | 151.80    |
| CG-22-30K   | 30 kg    | 70 lb   | 1 lb   | 1777 | 151.80    |
| CG-22-60K   | 60 kg    | 100 lb  | 1 lb   | 1778 | 151.80    |
| CG-22-75K   | 75 kg    | 150 lb  | 1 lb   | 1779 | 151.80    |
| CG-22-100K  | 100 kg   | 200 lb  | 1 lb   | 1780 | 151.80    |

### Dimensions in inches

| Capacity   | A    | B    | C    | D    | E    | F    | G    | H  |
|------------|------|------|------|------|------|------|------|----|
| 3kg        | 2.76 | 0.87 | 0.59 | 0.24 | 2.28 | -    | 0.28 | M3 |
| 5kg-30kg   | 5.12 | 0.87 | 1.18 | 0.47 | 4.17 | -    | 0.59 | M6 |
| 60kg-100kg | 5.91 | 1.57 | 1.38 | 0.28 | 4.61 | 0.75 | 0.59 | M6 |

## CG-42 Coti Global

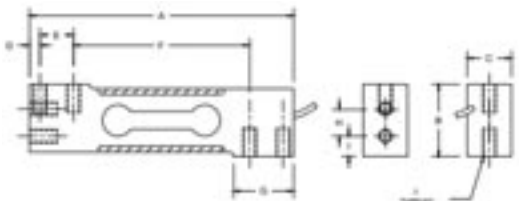
Interchangeable with Tedeia 1042, Scaime AG, General Sensor GC1042.  
2 mv/v, 415/350 ohms, 10 ft 4 wire cable, anodized aluminum, IP67  
NTEP Legal for Trade 08-075



CG-42

| Part Number | Capacity | Nominal | Weight | SKU  | List      |
|-------------|----------|---------|--------|------|-----------|
| CG-42-3kg * | 3 kg     | 6 lb    | 1 lb   | 2660 | \$ 176.00 |
| CG-42-5kg * | 5 kg     | 10 lb   | 1 lb   | 2661 | 176.00    |
| CG-42-7kg * | 7 kg     | 14 lb   | 1 lb   | 2662 | 176.00    |
| CG-42-10kg  | 10 kg    | 20 lb   | 1 lb   | 2663 | 176.00    |
| CG-42-15kg  | 15 kg    | 30 lb   | 1 lb   | 2664 | 176.00    |
| CG-42-20kg  | 20 kg    | 40 lb   | 1 lb   | 2665 | 176.00    |
| CG-42-30kg  | 30 kg    | 60 lb   | 1 lb   | 2666 | 176.00    |
| CG-42-50kg  | 50 kg    | 100 lb  | 1 lb   | 2667 | 176.00    |
| CG-42-75kg  | 75 kg    | 150 lb  | 1 lb   | 2668 | 176.00    |
| CG-42-100kg | 100 kg   | 200 lb  | 1 lb   | 2669 | 176.00    |

\* Not NTEP



| RATED CAPACITY | DIMENSIONS |       |      |      |      |       |       |      |      |                  |
|----------------|------------|-------|------|------|------|-------|-------|------|------|------------------|
|                | A          | B     | C    | D    | E    | F     | G     | H    | I    | J                |
| 3-30KG         | 5.91       | 1.575 | .787 | 0.24 | 0.75 | 3.937 | 1.339 | 0.75 | 0.37 | 1/4-20UNCx0.44dp |
| 50-100KG       | 5.91       | 1.575 | .992 | 0.24 | 0.75 | 3.937 | 1.339 | 0.75 | 0.37 | 1/4-20UNCx0.44dp |

Prices are subject to change without notice. Please call for current prices.

Other items are available from the manufacturers, please call for quote.

# Single Point

## CG-FB Coti Global

Interchangeable with Fairbanks 3-551761-1 and Fairbanks 55383-2.  
2 mv/v, 385/350 ohms, 10 ft 4 wire cable, aluminum, IP67.

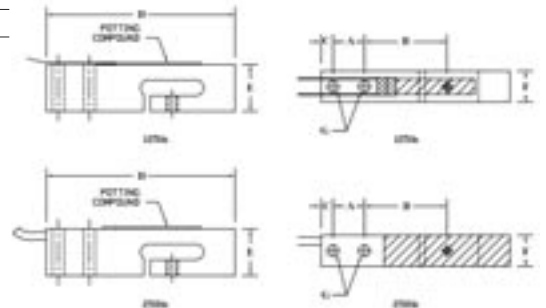
| Part Number | Capacity | Weight | SKU | List      |
|-------------|----------|--------|-----|-----------|
| CG-FB-125   | 125 lb   | 1 lb   | 200 | \$ 658.35 |
| CG-FB-250   | 250 lb   | 1 lb   | 201 | 658.35    |



CG-FB

### Dimensions in inches

| Capacity | A    | B    | C    | D    | E    | F    | G    |
|----------|------|------|------|------|------|------|------|
| 125lb    | 0.50 | 1.31 | 0.19 | 3.00 | 0.75 | 0.50 | 0.18 |
| 250lb    | 0.50 | 1.31 | 0.19 | 3.00 | 0.85 | 0.75 | 0.18 |



Single point

## CG-FLS Coti Global

Interchangeable with Weigh-Tronix FLS single point load cell. (4) mounting holes 0.453" dia. 2" vertical spacing. 5.5" horizontal spacing, center to center. Over 250 lb has larger envelope 8" x 3.75" with hole spacing 7" x 2.75".

1 mv/v, 350/350 ohms, 10 ft 4 wire cable, **stainless steel**, IP65  
NTEP Legal for Trade 05-007

| Part Number  | Weight-Tronix | Capacity | Weight | SKU  | List      |
|--------------|---------------|----------|--------|------|-----------|
| CG-FLS-50    | -----         | 50 lb    | 4 lb   | 5372 | \$ 635.25 |
| CG-FLS-125   | 49098-0075    | 125 lb   | 7 lb   | 5373 | 658.35    |
| CG-FLS-250   | 49098-0042    | 250 lb   | 7 lb   | 5374 | 658.35    |
| CG-FLS-625 * | 49100-0022    | 625 lb   | 9 lb   | 5375 | 866.25    |

\* Not NTEP

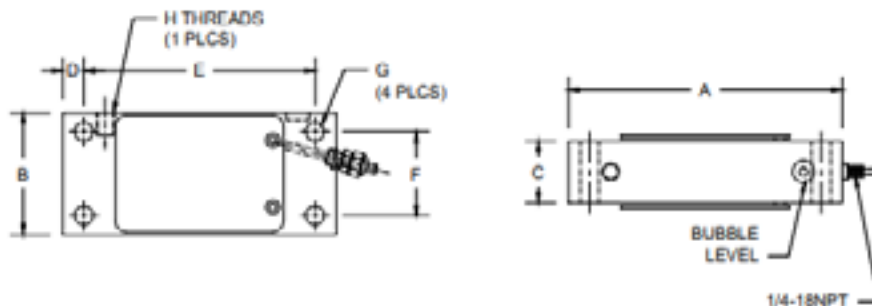


CG-FLS



### Dimensions in inches

| RATED CAPACITY | DIMENSIONS |      |      |      |      |      |      |                   |
|----------------|------------|------|------|------|------|------|------|-------------------|
|                | A          | B    | C    | D    | E    | F    | G    | H                 |
| 50lb           | 6.50       | 2.90 | 0.74 | 0.50 | 5.50 | 2.00 | 0.45 | 5/16-18UNCx0.50dp |
| 125-250lb      | 6.50       | 2.90 | 1.48 | 0.50 | 5.50 | 2.00 | 0.45 | 5/16-18UNCx0.50dp |
| 625lb          | 8.00       | 3.75 | 1.91 | 0.50 | 7.00 | 2.75 | 0.52 |                   |



Prices are subject to change without notice. Please call for current prices.

Other items are available from the manufacturers, please call for quote.

13-01 Pollitt Dr Ext  
Fair Lawn NJ 07410  
201-797-2718

**Totalcomp**  
Components

www.totalcomp.com  
sales@totalcomp.com  
Fax 201-797-2287

# Single Point



CG-SPLM

## CG-SPLM Coti Global

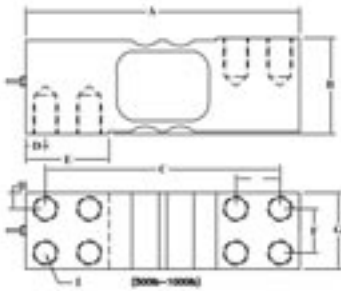
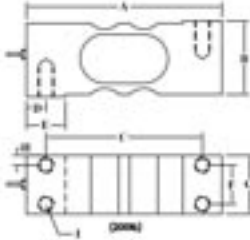
Interchangeable with Cardinal SP-LM.

2 mv/v, 410/350 ohms, 10 ft 4 wire cable, stainless steel, potted, IP67.

| Part Number | Capacity | Weight | SKU  | List      |
|-------------|----------|--------|------|-----------|
| CG-SPLM-200 | 200 lb   | 5 lb   | 8052 | \$ 669.90 |
| CG-SPLM-500 | 500 lb   | 8 lb   | 8053 | 750.75    |
| CG-SPLM1000 | 1,000 lb | 8 lb   | 8054 | 854.70    |

### Dimensions in inches

| Capacity   | A    | B    | C    | D    | E    | F    | G    | H    | I              |
|------------|------|------|------|------|------|------|------|------|----------------|
| 200lb      | 5.00 | 1.94 | 4.00 | 0.50 | 1.00 | 1.00 | 1.50 | 0.25 | M10X1.5X0.75dp |
| 500-1000lb | 7.00 | 2.46 | 6.00 | 0.50 | 2.13 | 1.13 | 1.96 | 0.42 | M16X2.0X0.75dp |



CG-50-1

## CG-50-1 Coti Global

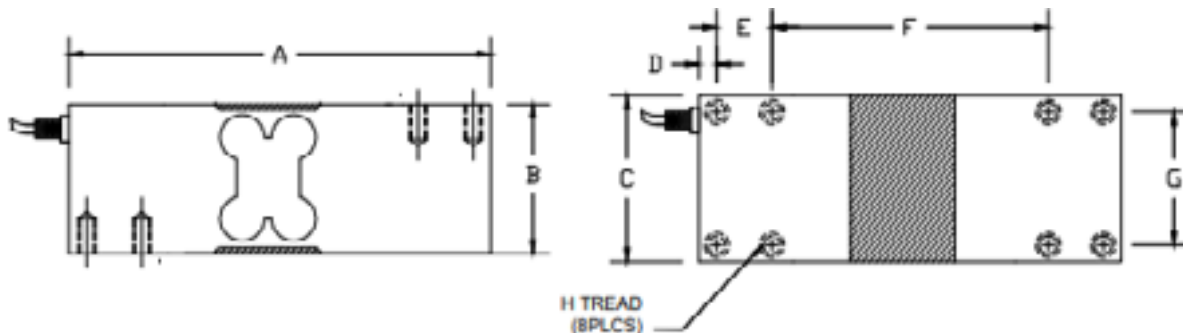
Interchangeable with Tedea 1260.

2 mv/v, 410/350 ohms, 10 ft 4 wire cable, aluminum. IP67.

| Part Number     | Capacity | Weight | SKU  | List      |
|-----------------|----------|--------|------|-----------|
| CG-50-1-50kg    | 50 kg    | 5 lb   | 5773 | \$ 303.19 |
| CG-50-1-75kg    | 75 kg    | 5 lb   | 5774 | 303.19    |
| CG-50-1-100kg   | 100 kg   | 5 lb   | 5775 | 303.19    |
| CG-50-1-150kg   | 150 kg   | 5 lb   | 5776 | 303.19    |
| CG-50-1-200kg   | 200 kg   | 5 lb   | 5777 | 303.19    |
| CG-50-1-250kg   | 250 kg   | 5 lb   | 5778 | 303.19    |
| CG-50-1-300kg   | 300 kg   | 5 lb   | 5779 | 303.19    |
| CG-50-1-500kg   | 500 kg   | 5 lb   | 5780 | 303.19    |
| CG-50-1-635kg * | 635 kg   | 5 lb   | 5781 | 303.19    |

\* Not NTEP

| RATED CAPACITY | DIMENSIONS |      |      |      |      |      |      |                   |
|----------------|------------|------|------|------|------|------|------|-------------------|
|                | A          | B    | C    | D    | E    | F    | G    | H                 |
| 50-635KG       | 7.40       | 2.45 | 2.49 | 0.22 | 1.38 | 4.21 | 1.97 | 5/16-18UNCx0.62dp |



Prices are subject to change without notice. Please call for current prices.

Other items are available from the manufacturers, please call for quote.

# Single Point

## CG-SPL Coti Global

Interchangeable with Cardinal SP-L

2 mv/v, 410/350ohms, 10 ft 4 wire cable, environmentally sealed, aluminum, IP65.

| Part Number | Capacity | Weight | SKU  | List      |
|-------------|----------|--------|------|-----------|
| CG-SPL-6    | 6 lb     | 2 lb   | 8046 | \$ 363.83 |
| CG-SPL-10   | 10 lb    | 2 lb   | 8047 | 363.83    |
| CG-SPL-15   | 15 lb    | 2 lb   | 8048 | 363.83    |
| CG-SPL-25   | 25 lb    | 2 lb   | 8049 | 363.83    |
| CG-SPL-50   | 50 lb    | 2 lb   | 8050 | 363.83    |
| CG-SPL-100  | 100 lb   | 2 lb   | 8051 | 363.83    |



CG-SPL

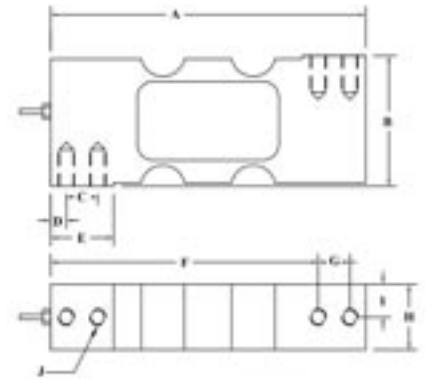


### Dimensions in inches

| Capacity | A    | B    | C    | D    | E    | F    | G    |
|----------|------|------|------|------|------|------|------|
| 6-100lb  | 5.00 | 1.99 | 0.50 | 0.25 | 1.00 | 4.25 | 0.50 |

### Dimensions in inches continued

| Capacity | H    | I    | J    | K                |
|----------|------|------|------|------------------|
| 6-100lb  | 1.00 | 0.50 | 1.00 | 1/4-28UNFX0.50dp |



Single point

Prices are subject to change without notice. Please call for current prices.

Other items are available from the manufacturers, please call for quote.

13-01 Pollitt Dr Ext  
Fair Lawn NJ 07410  
201-797-2718

  
Components

www.totalcomp.com  
sales@totalcomp.com  
Fax 201-797-2287

# Single Point



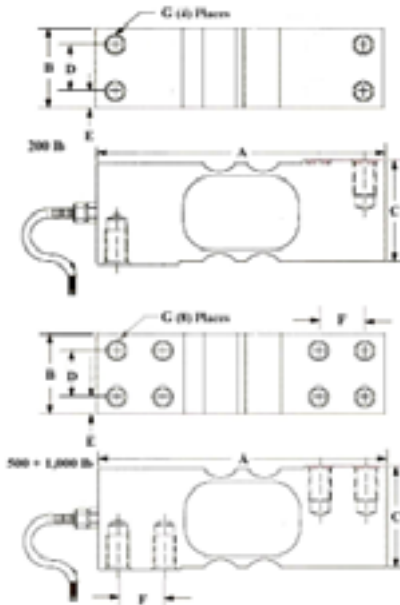
SP-200LM

## SP-LM Cardinal

For use in bench or floor scales. Has metric thread.  
2 mv/v, 380/350 ohms, 10 ft 4 wire cable, **stainless steel**, IP67.

| Part Number | Capacity | Weight | SKU | List      |
|-------------|----------|--------|-----|-----------|
| SP-200LM    | 200 lb   | 5 lb   | 874 | \$ 750.00 |
| SP-500LM    | 500 lb   | 8 lb   | 875 | 830.00    |
| SP-1000LM   | 1,000 lb | 8 lb   | 876 | 940.00    |

Single point



### Dimensions in inches

| Capacity | A    | B    | C    | D    | E    | F    | G   |
|----------|------|------|------|------|------|------|-----|
| 200lb    | 5.00 | 1.50 | 1.98 | 1.00 | 0.25 | ---- | M10 |
| 500-1000 | 7.00 | 1.96 | 2.50 | 1.12 | 0.41 | 1.12 | M16 |

# Single Point

## SP-L Cardinal

For use in bench or counter scales.

2 mv/v, 400/350 ohms, 7 ft 4 wire cable, aluminum, IP67

| Part Number | Capacity | Weight | SKU  | List      |
|-------------|----------|--------|------|-----------|
| SP-6L       | 6 lb     | 1 lb   | 2765 | \$ 410.00 |
| SP-10L      | 10 lb    | 1 lb   | 2766 | 410.00    |
| SP-15L      | 15 lb    | 1 lb   | 2767 | 410.00    |
| SP-25L      | 25 lb    | 1 lb   | 2932 | 410.00    |
| SP-50L      | 50 lb    | 1 lb   | 2933 | 410.00    |
| SP-100L     | 100 lb   | 1 lb   | 2934 | 410.00    |



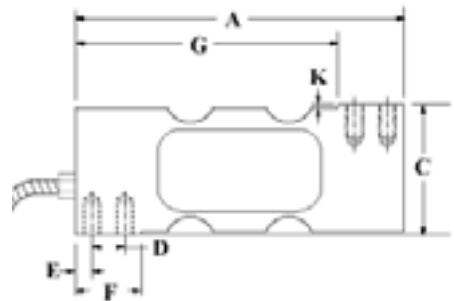
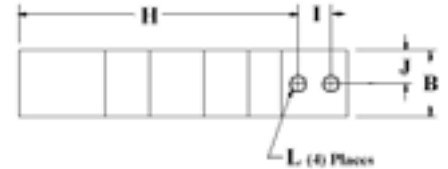
SP-10L

### Dimensions in inches

| Capacity  | A    | B    | C    | D    | E    | F    | G    |
|-----------|------|------|------|------|------|------|------|
| 6lb       | 5.00 | 0.50 | 2.00 | 0.50 | 0.25 | 1.00 | 4.00 |
| 10-100 lb | 5.00 | 1.00 | 2.00 | 0.50 | 0.25 | 1.00 | 4.00 |

### Dimensions in inches continued

| Capacity  | H    | I    | J    | K    | L         |
|-----------|------|------|------|------|-----------|
| 6lb       | 4.25 | 0.50 | 0.25 | 0.50 | 1/4-28 NF |
| 10-100 lb | 4.25 | 0.50 | 0.50 | 0.50 | 1/4-28 NF |



Single point

## TSSP Cardinal

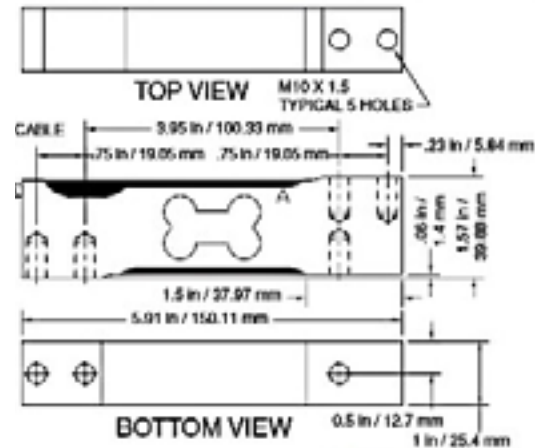
2 mv/v, 435 ohm input, 350 ohm output, 10 ft 4 wire cable, stainless steel, IP-65.

OIML RGO/1991-NL-00.02

| Part Number | Capacity | Nominal | Weight | SKU  | List      |
|-------------|----------|---------|--------|------|-----------|
| TSSP-20kg   | 20 kg    | 44 lb   | 2 lb   | 2689 | \$ 580.00 |
| TSSP-50kg   | 50 kg    | 110 lb  | 2 lb   | 2690 | 580.00    |
| TSSP-75kg   | 75 kg    | 160 lb  | 2 lb   | 2691 | 580.00    |
| TSSP-100kg  | 100 kg   | 220 lb  | 2 lb   | 2692 | 580.00    |
| TSSP-230kg  | 230 kg   | 440 lb  | 2 lb   | 2693 | 640.00    |



TSSP



Prices are subject to change without notice. Please call for current prices.

Other items are available from the manufacturers, please call for quote.

13-01 Pollitt Dr Ext  
Fair Lawn NJ 07410  
201-797-2718

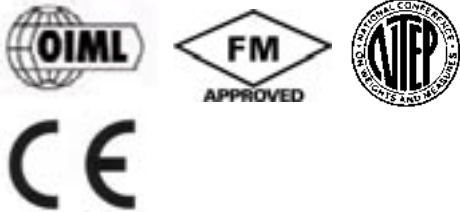
  
Components

www.totalcomp.com  
sales@totalcomp.com  
Fax 201-797-2287

# Single Point



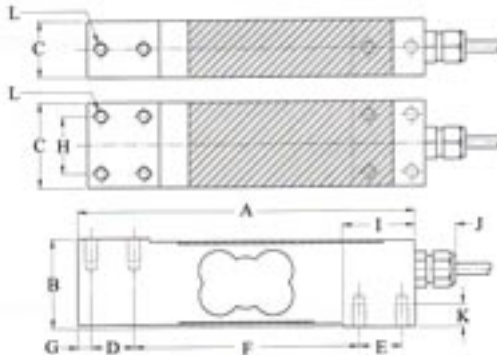
PC1



## PC1 Flintec

Replacement for Tedea Model 1040. Mounting screws are M6 metric with 3/4" spacing on both top and bottom.  
2 mv/v, 3m 4 wire cable, 390/330 ohm, **stainless steel**, IP67.  
NTEP Legal for Trade 99-110

| Part Number  | Capacity | Nominal | Weight | SKU  | List      |
|--------------|----------|---------|--------|------|-----------|
| PC1-C3-15kg  | 15 kg    | 30 lb   | 3 lb   | 4805 | \$ 323.00 |
| PC1-C3-30kg  | 30 kg    | 60 lb   | 3 lb   | 4806 | 323.00    |
| PC1-C3-50kg  | 50 kg    | 100 lb  | 3 lb   | 4807 | 323.00    |
| PC1-C3-100kg | 100 kg   | 200 lb  | 3 lb   | 4808 | 323.00    |
| PC1-C3-200kg | 200 kg   | 400 lb  | 3 lb   | 4809 | 414.00    |



### Dimensions in inches

| Capacity  | A    | B    | C    | D    | E    | F    | G    | H    | I    | J    | K    | L  |
|-----------|------|------|------|------|------|------|------|------|------|------|------|----|
| 6kg-100kg | 5.90 | 1.57 | 0.98 | 0.75 | 0.75 | 3.94 | 0.25 | ---- | 1.25 | 0.75 | 0.34 | M6 |
| 200kg     | 5.90 | 1.57 | 1.47 | 0.75 | 0.75 | 3.94 | 0.25 | 1.00 | 1.25 | 0.75 | 0.34 | M6 |



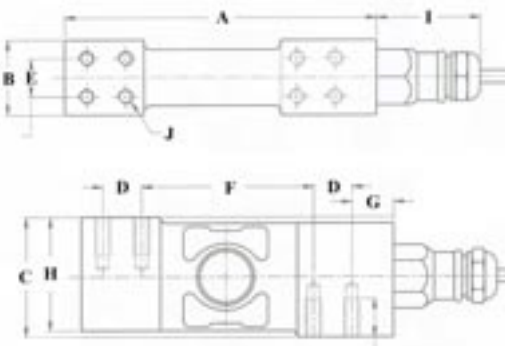
PC6



## PC6 Flintec

Interchangeable with Rice Lake Weighing Systems RLC6 and Mettler model 799.  
2mv/v, 960/1100 ohms, 3.3 ft wire cable, **stainless steel**, IP69.  
Factory Mutual Approved.  
NTEP Legal for Trade 05-074

| Part Number | Capacity | Nominal | Weight | SKU  | List      |
|-------------|----------|---------|--------|------|-----------|
| PC6-10      | 10 kg    | 20 lb   | 3 lb   | 3621 | \$ 577.00 |
| PC6-20      | 20 kg    | 40 lb   | 3 lb   | 3622 | 577.00    |
| PC6-50      | 50 kg    | 100 lb  | 3 lb   | 3623 | 577.00    |
| PC6-100     | 100 kg   | 200 lb  | 3 lb   | 3624 | 577.00    |
| PC6-200     | 200 kg   | 400 lb  | 3 lb   | 3625 | 577.00    |



### Dimensions in inches

| Capacity   | A    | B    | C    | D    | E    | F    | G    | H    | I    | J      |
|------------|------|------|------|------|------|------|------|------|------|--------|
| 10kg-200kg | 4.84 | 1.18 | 1.89 | 0.60 | 0.60 | 2.66 | 0.70 | 1.80 | 1.61 | M6 x 8 |

Prices are subject to change without notice. Please call for current prices.

Other items are available from the manufacturers, please call for quote.



# Single Point

## PC7 Flintec

Hermetically sealed with all welded construction. M8 thread mounting holes  
2 mv/v +/-10%, 380/350 ohms, 3m 6 wire cable, **stainless steel**, IP68.

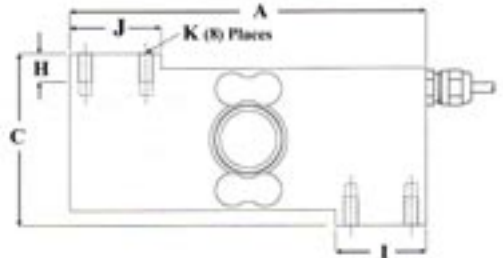
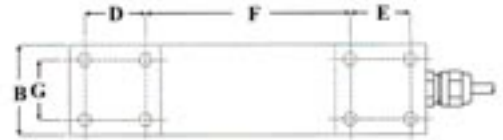
| Part Number  | Capacity | Nominal  | Weight | SKU  | List      |
|--------------|----------|----------|--------|------|-----------|
| PC7-C3-100kg | 100 kg   | 200 lb   | 6 lb   | 5934 | \$ 661.00 |
| PC7-C3-250kg | 250 kg   | 500 lb   | 6 lb   | 5935 | 661.00    |
| PC7-C3-500kg | 500 kg   | 1,000 lb | 6 lb   | 5936 | 661.00    |



PC7

### Dimensions in inches

| Capacity    | A    | B    | C    | D    | E    | F    | G    | H    | I    | J    | K         |
|-------------|------|------|------|------|------|------|------|------|------|------|-----------|
| 100kg-500kg | 5.90 | 1.50 | 2.87 | 1.00 | 1.00 | 3.40 | 1.00 | 0.47 | 1.50 | 1.50 | M8 x 1.25 |



Single point

## PC30 Flintec

Full stainless steel construction. M6 thread mounting holes  
2 mv/v, 385/350 ohms, 1.5m 6 wire cable, **stainless steel**, IP67.

NTEP Legal for trade,  
OIML

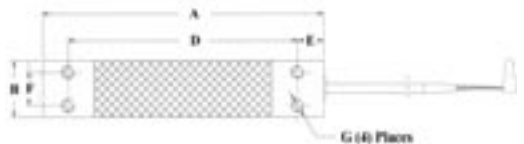
| Part Number  | Capacity | Nominal | Weight | SKU  | List      |
|--------------|----------|---------|--------|------|-----------|
| PC30-7kg-GP  | 7 kg     | 15 lb   | 2.2 lb | 1732 | \$ 295.00 |
| PC30-10kg-C3 | 10 kg    | 20 lb   | 2.2 lb | 1733 | 295.00    |
| PC30-15kg-C3 | 15 kg    | 30 lb   | 2.2 lb | 1734 | 295.00    |
| PC30-30kg-C3 | 30 kg    | 60 lb   | 2.2 lb | 1735 | 295.00    |
| PC30-50kg-C3 | 50 kg    | 100 lb  | 2.2 lb | 1736 | 295.00    |



PC30

### Dimensions in mm

| Capacity | A   | B  | C  | D   | E    | F  | G         |
|----------|-----|----|----|-----|------|----|-----------|
| 7kg-50kg | 135 | 25 | 30 | 106 | 14.5 | 15 | M6-8 x 10 |



Prices are subject to change without notice. Please call for current prices.

Other items are available from the manufacturers, please call for quote.

13-01 Pollitt Dr Ext  
Fair Lawn NJ 07410  
201-797-2718

**Totalcomp**  
Components

www.totalcomp.com  
sales@totalcomp.com  
Fax 201-797-2287

# Single Point



PC42

## PC42 Flintec

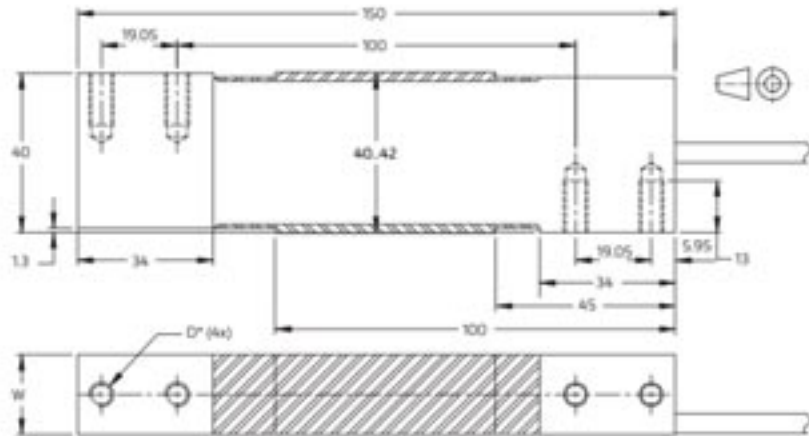
Interchanges w/Tedea 1040

2mv/v, 413 ohm input, 350 ohm output, 2m 6 wire cable anodized aluminum, potted IP67.

| Part Number   | Capacity | Nominal | Weight | SKU  | List      |
|---------------|----------|---------|--------|------|-----------|
| PC42-5kg-C3   | 5 kg     | 10 lb   | 1.1 lb | 2200 | \$ 152.00 |
| PC42-10kg-C3  | 10 kg    | 20 lb   | 1.1 lb | 2201 | 152.00    |
| PC42-20kg-C3  | 20 kg    | 40 lb   | 1.1 lb | 2202 | 152.00    |
| PC42-30kg-C3  | 30 kg    | 60 lb   | 1.1 lb | 2203 | 152.00    |
| PC42-50kg-C3  | 50 kg    | 100 lb  | 1.1 lb | 2204 | 152.00    |
| PC42-100kg-C3 | 100 kg   | 200 lb  | 1.1 lb | 2205 | 152.00    |
| PC42-200kg-C3 | 200 kg   | 400 lb  | 1.1 lb | 2206 | 152.00    |

Single point

product dimensions (mm)



PC46

## PC46 Flintec

Interganges w/Tedea 1241

2mv/v, 406/350 oilm, 3m 6cond cable anodized aluminum, potted IP67.

| Part Number     | Capacity | Nominal | Weight | SKU | List      |
|-----------------|----------|---------|--------|-----|-----------|
| PC46-50kg-M-C3  | 50 kg    | 100 lb  | 2 lb   | 99  | \$ 182.00 |
| PC46-100kg-M-C3 | 100 kg   | 200 lb  | 2 lb   | 100 | 182.00    |
| PC46-150kg-M-C3 | 150 kg   | 150 lb  | 2 lb   | 101 | 182.00    |
| PC46-200kg-M-C3 | 200 kg   | 400 lb  | 2 lb   | 102 | 182.00    |
| PC46-250kg-M-C3 | 250 kg   | 500 lb  | 2 lb   | 103 | 182.00    |

Prices are subject to change without notice. Please call for current prices.

Other items are available from the manufacturers, please call for quote.

# Single Point

## PCB Flintec, stainless steel

Interchangeable with Tedeo Model 1250, except the threads are UNC. Total **stainless steel** construction. Designed to withstand shock and fatigue loading. 2 mv/v, 1100/960 ohms, 10 ft 4 wire cable, **stainless steel**, IP68. NTEP Legal for Trade 01-045

| Part Number    | Capacity | Nominal  | Weight | SKU  | List      |
|----------------|----------|----------|--------|------|-----------|
| PCB-C3-50kg *  | 50 kg    | 100 lb   | 13 lb  | 4884 | \$ 989.00 |
| PCB-C3-100kg   | 100 kg   | 200 lb   | 13 lb  | 4885 | 989.00    |
| PCB-C3-250kg   | 250 kg   | 500 lb   | 13 lb  | 4886 | 989.00    |
| PCB-C3-500kg   | 500 kg   | 1,000 lb | 13 lb  | 4887 | 989.00    |
| PCB-C3-1,000kg | 1,000 kg | 2,000 lb | 13 lb  | 4888 | 989.00    |

\* Not NTEP

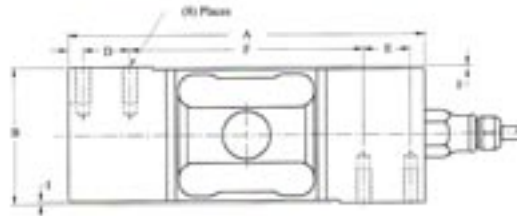
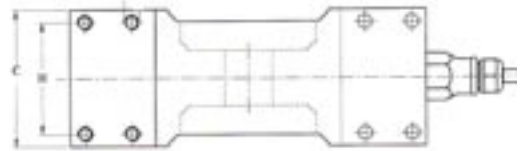


PCB



### Dimensions in inches

| Capacity    | A    | B    | C    | D    | E    | F    | G    | H    | I    | J           |
|-------------|------|------|------|------|------|------|------|------|------|-------------|
| 50kg-1000kg | 7.50 | 2.90 | 2.90 | 0.31 | 0.98 | 4.92 | 0.25 | 2.36 | 0.06 | 5/16-18 UNC |



Single point

Prices are subject to change without notice. Please call for current prices.

Other items are available from the manufacturers, please call for quote.

13-01 Pollitt Dr Ext  
Fair Lawn NJ 07410  
201-797-2718

**Totalcomp**  
Components

www.totalcomp.com  
sales@totalcomp.com  
Fax 201-797-2287

# Single Point

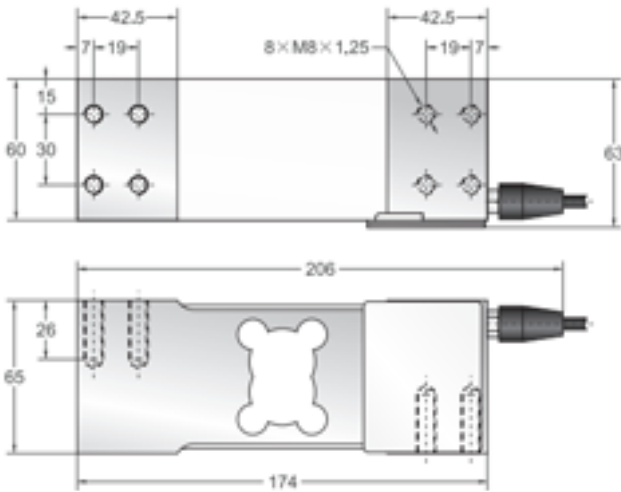


## FAV Transcell

2 mv/v +/-10%, 410/350 ohms, 6m 4 wire cable, anodized aluminum, IP67.

| Part Number | Capacity | Nominal | Weight | SKU | List      |
|-------------|----------|---------|--------|-----|-----------|
| FAV-100kg   | 100kg    | 200 lb  | 5 lb   | 615 | \$ 295.00 |
| FAV-150kg   | 150kg    | 300 lb  | 5 lb   | 616 | 295.00    |
| FAV-250kg   | 250kg    | 500 lb  | 5 lb   | 617 | 295.00    |
| FAV-500kg   | 500kg    | 1000 lb | 5 lb   | 618 | 295.00    |

FAV  
Single Point



## FASB Transcell

2 mv/v +/-10%, 410/350 ohms, 6m 4 wire cable, anodized aluminum, IP67.

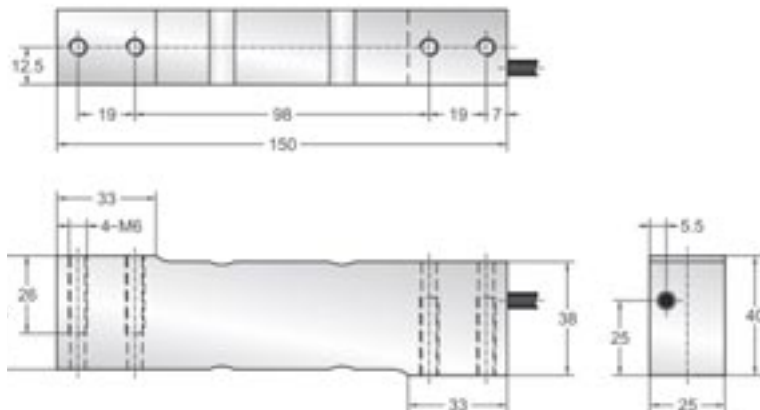
| Part Number | Capacity | Nominal | Weight | SKU | List      |
|-------------|----------|---------|--------|-----|-----------|
| FASB-45CE   | 45kg     | 90 lb   | 2 lb   | 420 | \$ 205.00 |
| FASB-100CE  | 100kg    | 200 lb  | 2 lb   | 421 | 205.00    |
| FASB-200C4  | 200kg    | 5400 lb | 3 lb   | 422 | 250.00    |



FASB CE  
Single Point



FASB C4  
Single Point



Prices are subject to change without notice. Please call for current prices.

Other items are available from the manufacturers, please call for quote.

# Single Point

## 462 Revere

2 mv/v, 350/350 ohms, 10 ft 4 wire cable, nickel plated steel. IP67.

| Part Number     | Capacity | Weight | SKU | List      |
|-----------------|----------|--------|-----|-----------|
| 462-D3-2-10P1   | 2 lb     | 3 lb   | 86  | \$ 615.51 |
| 462-D3-5-10P1   | 5 lb     | 3 lb   | 87  | 615.51    |
| 462-D3-10-10P1  | 10 lb    | 3 lb   | 88  | 615.51    |
| 462-D3-20-10P1  | 20 lb    | 3 lb   | 89  | 615.51    |
| 462-D3-50-10P1  | 50 lb    | 5 lb   | 90  | 646.86    |
| 462-D3-100-10P1 | 100 lb   | 5 lb   | 91  | 646.86    |
| 462-D3-250-10P1 | 250 lb   | 5 lb   | 92  | 667.76    |

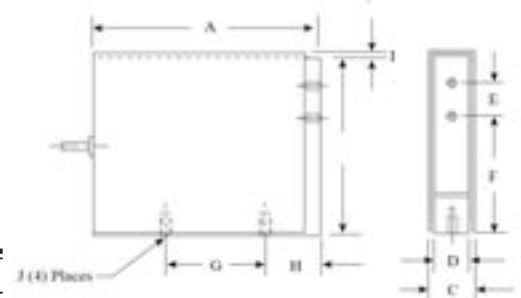


462

Single point

### Dimensions in inches

| Capacity  | A    | B    | C    | D    | E    | F    | G    | H    | I    | J          |
|-----------|------|------|------|------|------|------|------|------|------|------------|
| 2-20 lb   | 5.13 | 4.00 | 1.25 | 0.75 | 0.75 | 2.60 | 2.20 | 0.91 | 0.05 | 1/4-28 UNF |
| 50-100 lb | 6.00 | 4.68 | 1.90 | 1.00 | 1.00 | 2.60 | 2.20 | 1.16 | 0.05 | 3/8-24 UNF |
| 250 lb    | 6.00 | 4.60 | 1.90 | 1.00 | 1.50 | 2.35 | 2.20 | 1.16 | 0.05 | 3/8-24 UNF |



## HPS Revere

Hermetically sealed. Lb unit has (2) mtg holes on top and (2) mtg holes on bottom, 1/4-20 thread with 3/4" spacing. Kg unit has (4) thru mtg holes 0.254" dia. The kg unit is 2 mv/v and the lb unit is 3 mv/v. IP67.

2 & 3 mv/v, 390/350 ohms, 10 ft 4 wire cable, **stainless steel**.

| Part Number                  | Capacity | Nominal | Weight | SKU | List      |
|------------------------------|----------|---------|--------|-----|-----------|
| <b>3 mv/v (lb)</b>           |          |         |        |     |           |
| HPS-25                       | 25 lb    |         | 3 lb   | 680 | \$ 689.03 |
| HPS-50                       | 50 lb    |         | 3 lb   | 681 | 642.68    |
| HPS-100                      | 100 lb   |         | 3 lb   | 687 | 873.79    |
| HPS-D3-50-10TB cable in tube | 50 lb    |         | 3 lb   | 685 | 971.35    |
| <b>2 mv/v (kg)</b>           |          |         |        |     |           |
| HPS-6kg                      | 6 kg     | 12 lb   | 3 lb   | 610 | 689.03    |
| HPS-15kg                     | 15 kg    | 30 lb   | 3 lb   | 611 | 689.03    |



HPS

### Metric dimensions OIML R60 Approved 3,000 div 20 ft 4 wire cable

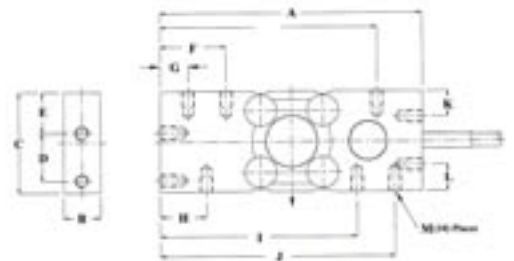
|           |       |        |      |      |          |
|-----------|-------|--------|------|------|----------|
| HPSM-6kg  | 6 kg  | 12 lb  | 3 lb | 1696 | 689.03   |
| HPSM-12kg | 12 kg | 24 lb  | 3 lb | 1697 | 689.03   |
| HPSM-30kg | 30 kg | 60 lb  | 3 lb | 1705 | 689.03   |
| HPSM-60kg | 60 kg | 120 lb | 3 lb | 1706 | 1,049.00 |

### Dimensions in inches

| Capacity | A    | B    | C    | D    | E    | F    | G    | H    |
|----------|------|------|------|------|------|------|------|------|
| 6-30kg   | 5.11 | 0.72 | 1.96 | 0.94 | 0.78 | 1.28 | 0.53 | 0.88 |
| 60kg     | 5.11 | 2.36 | 1.96 | 0.94 | 0.78 | 1.28 | 0.53 | 0.88 |

### Dimensions in inches continued

| Capacity | I    | J    | K    | L    | M  |
|----------|------|------|------|------|----|
| 6-30kg   | 3.84 | 4.58 | 0.51 | 0.51 | M6 |
| 60kg     | 3.84 | 4.58 | 0.51 | 0.51 | M6 |



Prices are subject to change without notice. Please call for current prices.

Other items are available from the manufacturers, please call for quote.

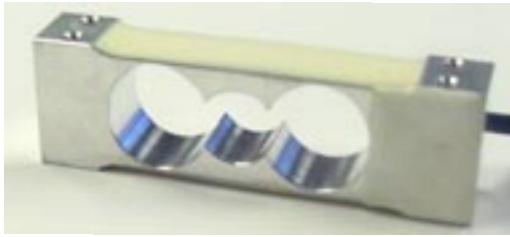
13-01 Pollitt Dr Ext  
Fair Lawn NJ 07410  
201-797-2718

**Totalcomp**  
Components

www.totalcomp.com  
sales@totalcomp.com  
Fax 201-797-2287

195

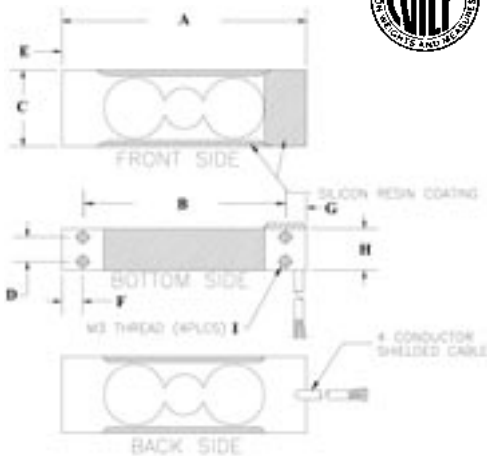
# Single Point



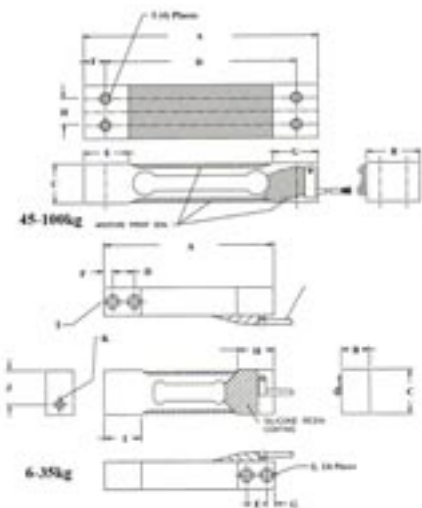
CB17



C2G1



CB17



C2G1

## CB17 & C2G1 NMB

Interchangeable with BLH C2G1 and Scaime EP used in Eaton/Consolidated Controls bases and Fairbanks 4900 Series scales. M3 thread mounting hole 0.6kg to 3kg. M6 thread mounting hole 6kg to 100kg.  
 1 mv/v +/-10%(.6 to 3kg), 2 mv/v +/-10%(6 to 100kg), 0.02% nonlinearity(0.015 for 6 to 100kg), 420/350 ohms, 15" 4 wire cable, anodized aluminum.  
 NTEP Legal for Trade 92-084

| Part Number | Capacity | Nominal  | Weight | SKU  | List      |
|-------------|----------|----------|--------|------|-----------|
| CB17-0.6    | 0.6 kg   | 1.3 lb   | 1 lb   | 2285 | \$ 344.00 |
| CB17-1      | 1 kg     | 2.2 lb   | 1 lb   | 2286 | 344.00    |
| CB17-2      | 2 kg     | 4.4 lb   | 1 lb   | 2287 | 344.00    |
| CB17-3      | 3 kg     | 6.6 lb   | 1 lb   | 2288 | 344.00    |
| C2G1-6      | 6 kg     | 13.2 lb  | 1 lb   | 2289 | 800.00    |
| C2G1-10     | 10 kg    | 22.0 lb  | 1 lb   | 2290 | 800.00    |
| C2G1-12     | 12 kg    | 26.5 lb  | 1 lb   | 2291 | 800.00    |
| C2G1-15     | 15 kg    | 33.1 lb  | 1 lb   | 2292 | 800.00    |
| C2G1-20     | 20 kg    | 44.1 lb  | 1 lb   | 2293 | 800.00    |
| C2G1-25     | 25 kg    | 55.1 lb  | 1 lb   | 2294 | 877.00    |
| C2G1-30     | 30 kg    | 66.1 lb  | 1 lb   | 2295 | 877.00    |
| C2G1-35     | 35 kg    | 77.2 lb  | 1 lb   | 2296 | 877.00    |
| C2G1-45     | 45 kg    | 99.2 lb  | 1 lb   | 2297 | 877.00    |
| C2G1-60     | 60 kg    | 132.0 lb | 2 lb   | 2298 | 877.00    |
| C2G1-100    | 100 kg   | 220.0 lb | 2 lb   | 2299 | 1,666.00  |

CB17 is not NTEP

### Dimensions in inches

#### CB17

| Capacity | A    | B    | C    | D    | E    | F    | G    | H    | I  |
|----------|------|------|------|------|------|------|------|------|----|
| 600g-3kg | 2.76 | 1.97 | 0.87 | 0.28 | 0.39 | 0.24 | 0.55 | 0.47 | M3 |

### Dimensions in inches

#### C2G21

| Capacity   | A     | B    | C    | D    | E    | F    | G    | H    | I          |
|------------|-------|------|------|------|------|------|------|------|------------|
| 6kg-35kg   | 5.90  | 0.98 | 1.57 | 0.75 | 0.75 | 0.28 | 0.28 | 1.97 | 3/8-16 UNC |
| 45kg-100kg | 10.23 | 1.57 | 1.73 | 8.35 | 1.96 | 0.94 | 1.96 | 1.18 | M6         |

Prices are subject to change without notice. Please call for current prices.

Other items are available from the manufacturers, please call for quote.

# Single Point

## U2D1 NMB

Interchangeable with BLH U2D1 used in Fairbanks 4500 Series Counting scales and 4700 Series Checkweigher Over/Under scales. M4 thread mounting holes 3kg to 20kg. M6 thread mounting holes 25kg to 50kg. M8 thread mounting holes 100kg. Moisture proof sealant and protective cover plates are standard  
2 mv/v, 400/350 ohms, 0.3m 4 wire cable, anodized aluminum.

| Part Number | Capacity | Nominal | Weight | SKU | List        |
|-------------|----------|---------|--------|-----|-------------|
| U2D1-F-3    | 3 kg     | 7 lb    | 1 lb   | 306 | \$ 2,276.00 |
| U2D1-F-6    | 6 kg     | 13 lb   | 1 lb   | 307 | 2,276.00    |
| U2D1-F-10   | 10 kg    | 22 lb   | 1 lb   | 308 | 2,276.00    |
| U2D1-F-15   | 15 kg    | 33 lb   | 1 lb   | 309 | 2,276.00    |
| U2D1-F-25   | 25 kg    | 55 lb   | 2 lb   | 311 | 2,380.00    |



U2D1-F-20

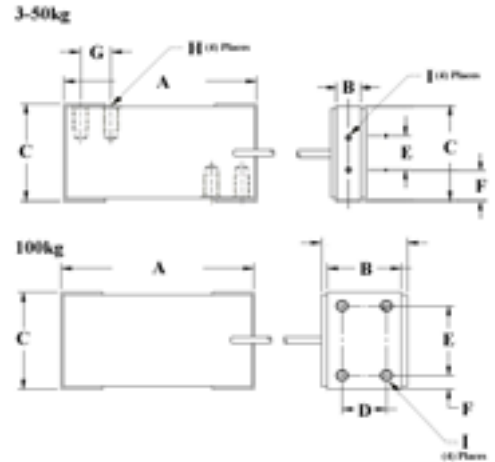


U2D1-F-100

Single point

### Dimensions in inches

| Capacity  | A    | B    | C    | D    | E    | F    | G    | H    | I  |
|-----------|------|------|------|------|------|------|------|------|----|
| 3kg-20kg  | 5.12 | 0.71 | 2.76 | ---- | 0.94 | 0.91 | 0.47 | M5   | M4 |
| 25kg-50kg | 5.12 | 1.18 | 2.76 | ---- | 0.94 | 0.91 | ---- | ---- | M6 |
| 100kg     | 5.12 | 1.97 | 2.76 | 1.18 | 1.97 | 0.39 | ---- | ---- | M8 |



Prices are subject to change without notice. Please call for current prices.

Other items are available from the manufacturers, please call for quote.

13-01 Pollitt Dr Ext  
Fair Lawn NJ 07410  
201-797-2718

**Totalcomp**  
Components

www.totalcomp.com  
sales@totalcomp.com  
Fax 201-797-2287

# Single Point



AG



## AG Scaime

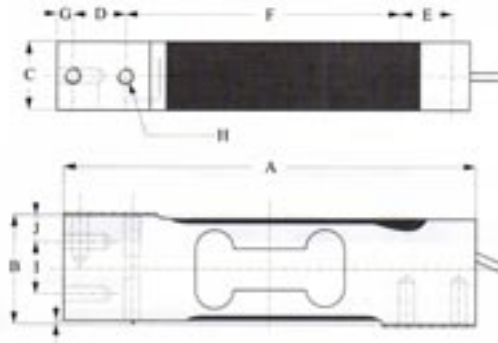
Interchangeable with Tedea Model 1040. Mounting screws are 1/4-20 UNC(coarse) with 3/4" spacing on both top and bottom.  
2 mv/v, 415/350 ohms, 3m 6 wire cable, anodized aluminum. IP67  
NTEP Legal for Trade 91-051 5kg - 100kg

| Part Number | Capacity | Nominal | Weight | SKU  | List      |
|-------------|----------|---------|--------|------|-----------|
| AG-1 *      | 1 kg     | 2 lb    | 2 lb   | 2679 | \$ 320.00 |
| AG-2.5 *    | 2.5 kg   | 5 lb    | 2 lb   | 2680 | 320.00    |
| AG-5        | 5 kg     | 10 lb   | 2 lb   | 351  | 320.00    |
| AG-10       | 10 kg    | 20 lb   | 2 lb   | 352  | 320.00    |
| AG-15       | 15 kg    | 30 lb   | 2 lb   | 353  | 320.00    |
| AG-20       | 20 kg    | 40 lb   | 2 lb   | 2681 | 320.00    |
| AG-30       | 30 kg    | 60 lb   | 2 lb   | 354  | 320.00    |
| AG-5        | 50 kg    | 100 lb  | 2 lb   | 356  | 320.00    |
| AG-75       | 75 kg    | 150 lb  | 2 lb   | 2682 | 320.00    |
| AG-100      | 100 kg   | 200 lb  | 2 lb   | 357  | 320.00    |

\* Not NTEP

### Dimensions in inches

| Capacity  | A    | B    | C    | D    | E    | F    | G    | H          |
|-----------|------|------|------|------|------|------|------|------------|
| 5kg-150kg | 5.90 | 1.57 | 1.16 | 0.75 | 0.75 | 3.94 | 0.25 | 1/4-20 UNC |



AH Single Point

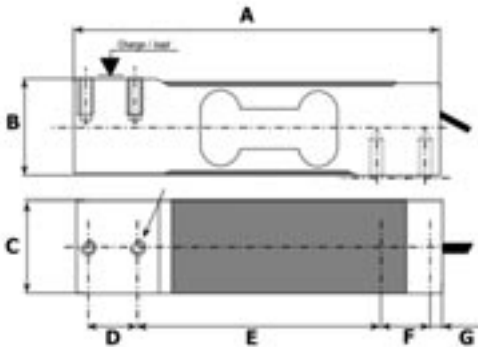
## AH Scaime

2 mv/v, 400/350 ohms, 3m 6 wire cable, anodized aluminum, IP65.

| Part Number | Capacity | Nominal | Weight | SKU | List      |
|-------------|----------|---------|--------|-----|-----------|
| AH-50kg     | 50kg     | 100 lb  | 2 lb   | 394 | \$ 275.00 |
| AH-100kg    | 100kg    | 200 lb  | 2 lb   | 395 | 275.00    |
| AH-200kg    | 200kg    | 400 lb  | 2 lb   | 396 | 275.00    |

### Dimensions in inches

| Capacity   | A   | B    | C    | D    | E   | F    | G    |
|------------|-----|------|------|------|-----|------|------|
| 50kg-200kg | 5.9 | 1.57 | 1.49 | 0.75 | 3.9 | 0.75 | 0.23 |



Prices are subject to change without notice. Please call for current prices.

Other items are available from the manufacturers, please call for quote.



# Single Point

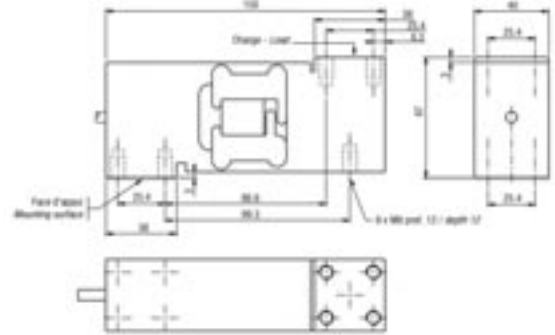
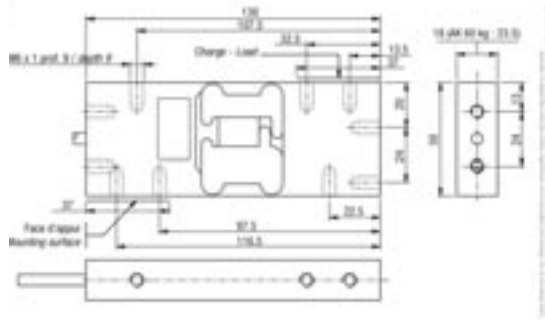
## AK Scaime

Interchangeable with Revere HPS. Welded hermetically sealed stainless steel.  
2 mv/v, 385/350 ohms, 10 ft 4 wire cable, **stainless steel**, IP68.  
NTEP Legal for Trade

| Part Number     | Capacity | Nominal | Weight  | SKU  | List      |
|-----------------|----------|---------|---------|------|-----------|
| AK6 C3 CH 12e   | 6 kg     | 12 lb   | 2.59 lb | 5754 | \$ 985.00 |
| AK12 C3 CH 12e  | 12 kg    | 24 lb   | 2.59 lb | 5755 | 985.00    |
| AK30 C3 CH 12e  | 30 kg    | 60 lb   | 2.59 lb | 5430 | 985.00    |
| AK60 C3 CH 12e  | 60 kg    | 120 lb  | 2.59 lb | 5431 | 985.00    |
| AK120 C3 CH 12e | 120 kg   | 240 lb  | 2.59 lb | 5432 | 1,355.00  |
| AK300 C3 CH 12e | 300 kg   | 600 lb  | 2.59 lb | 5433 | 1,355.00  |



AK



Single point

## AP Scaime

Interchangeable with Tedea Model 1250 but half the height.  
2 mv/v, 410/350 ohms, 3m 4 wire cable, anodized aluminum, IP65.  
NTEP Legal for Trade 00-133

| Part Number | Capacity | Nominal  | Weight | SKU  | List      |
|-------------|----------|----------|--------|------|-----------|
| AP-75kg     | 75 kg    | 150 lb   | 3 lb   | 4796 | \$ 490.00 |
| AP-100kg    | 100 kg   | 200 lb   | 3 lb   | 4797 | 490.00    |
| AP-150kg    | 150 kg   | 300 lb   | 3 lb   | 4798 | 490.00    |
| AP-200kg    | 200 kg   | 400 lb   | 3 lb   | 4799 | 490.00    |
| AP-250kg    | 250 kg   | 500 lb   | 3 lb   | 4800 | 490.00    |
| AP-300kg    | 300 kg   | 600 lb   | 3 lb   | 4801 | 490.00    |
| AP-500kg    | 500 kg   | 1,000 lb | 3 lb   | 4802 | 490.00    |
| AP-675kg    | 675 kg   | 1,270 lb | 3 lb   | 4803 | 490.00    |

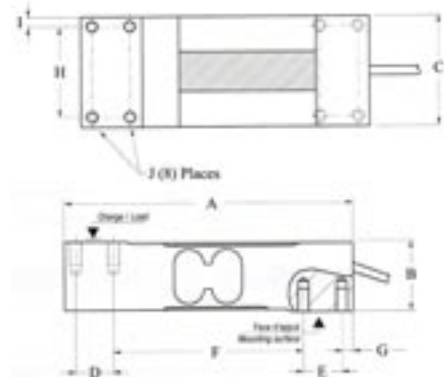


AP-500



### Dimensions in inches

| Capacity   | A    | B    | C    | D    | E    | F    | G    | H    | I  |
|------------|------|------|------|------|------|------|------|------|----|
| 75kg-675kg | 7.48 | 1.85 | 2.87 | 0.98 | 0.98 | 4.92 | 0.29 | 2.36 | M8 |



Prices are subject to change without notice. Please call for current prices.

Other items are available from the manufacturers, please call for quote.

13-01 Pollitt Dr Ext  
Fair Lawn NJ 07410  
201-797-2718

**Totalcomp**  
Components

www.totalcomp.com  
sales@totalcomp.com  
Fax 201-797-2287

# Single Point



AQ

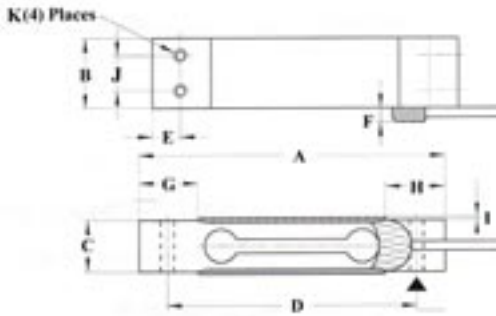


## AQ & EP Scaime

Interchangeable with BLH C2G1 and NMB used in Eaton/Consolidated Controls bases and Fairbanks 4900 Series scales.  
2 mv/v, 410/350 ohms, 0.5 m 4 wire cable, anodized aluminum, IP65.  
NTEP Legal for Trade 02-005

| Part Number | Capacity | Nominal | Weight | SKU | List      |
|-------------|----------|---------|--------|-----|-----------|
| EP-2        | 2 kg     | 4 lb    | 1 lb   | 621 | \$ 192.00 |
| AQ-5        | 5 kg     | 10 lb   | 1 lb   | 623 | 232.00    |
| AQ-10       | 10 kg    | 20 lb   | 1 lb   | 702 | 232.00    |
| AQ-15       | 15 kg    | 30 lb   | 1 lb   | 397 | 232.00    |
| AQ-35       | 35 kg    | 70 lb   | 1 lb   | 398 | 232.00    |

Single point



## Dimensions in inches

| Capacity | A    | B    | C    | D    | E    | F    | G    | H    | I    | J    | K  |
|----------|------|------|------|------|------|------|------|------|------|------|----|
| 2kg-20kg | 5.11 | 0.98 | 0.86 | 4.17 | 0.24 | 0.23 | 0.98 | 0.98 | 0.03 | 0.59 | M6 |
| 35kg     | 5.11 | 1.57 | 0.86 | 4.17 | 0.24 | 0.23 | 0.95 | 0.95 | 0.03 | 0.59 | M6 |



RLPCBC-60

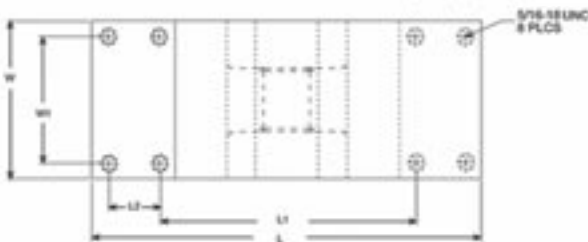
## RLPCBC-60 Rice Lake

Single point load cell for use in wet environments.  
2 mv/v, 1,000/350 ohms, 10ft 4 wire cable, stainless steel, IP69K  
NTEP Legal for Trade

| Part Number     | Capacity | Nominal  | Weight | SKU  | List      |
|-----------------|----------|----------|--------|------|-----------|
| 87022 RLPBCB-60 | 50 kg    | 100 lb   | 15 lb  | 2208 | \$ 980.00 |
| 87023 RLPBCB-60 | 100 kg   | 200 lb   | 15 lb  | 2209 | 980.00    |
| 87024 RLPBCB-60 | 250 kg   | 500 lb   | 15 lb  | 2210 | 980.00    |
| 87025 RLPBCB-60 | 500 kg   | 1,000 lb | 15 lb  | 2211 | 980.00    |
| 87026 RLPBCB-60 | 1,000 kg | 2,000 lb | 15 lb  | 2212 | 980.00    |



| Rated Capacity | L     | L1    | L2   | W    | W1   | H    |
|----------------|-------|-------|------|------|------|------|
| kg/mm          |       |       |      |      |      |      |
| 50-1000        | 190.5 | 107.0 | 35.0 | 73.7 | 50.0 | 73.7 |



Prices are subject to change without notice. Please call for current prices.

Other items are available from the manufacturers, please call for quote.

# Single Point

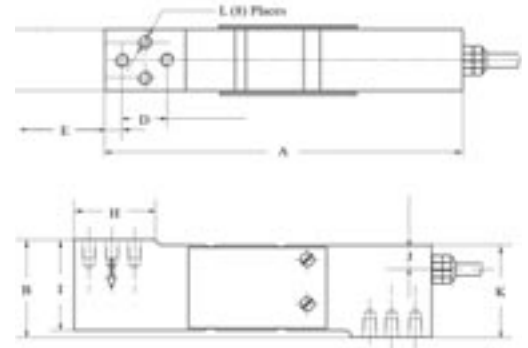
## B6E Zemic

2 mv/v, 406/350 ohms, ft 4 wire cable, **stainless steel**, IP67.

| Part Number  | Capacity | Nominal | Weight | SKU  | List      |
|--------------|----------|---------|--------|------|-----------|
| B6E-C3-50kg  | 50 kg    | 100 lb  | 4 lb   | 7953 | \$ 230.00 |
| B6E-C3-75kg  | 75 kg    | 150 lb  | 4 lb   | 7954 | 230.00    |
| B6E-C3-100kg | 100 kg   | 200 lb  | 4 lb   | 7955 | 230.00    |
| B6E-C3-150kg | 150 kg   | 300 lb  | 4 lb   | 7956 | 230.00    |
| B6E-C3-200kg | 200 kg   | 400 lb  | 4 lb   | 7957 | 230.00    |
| B6E-C3-250kg | 250 kg   | 500 lb  | 4 lb   | 7958 | 230.00    |
| B6E-C3-300kg | 300 kg   | 600 lb  | 4 lb   | 7959 | 230.00    |



B6E



Single point

### Dimensions in inches

| Capacity   | A    | B    | C    | D    | E    | F    | G    | H    | I    | J    | K    | L  |
|------------|------|------|------|------|------|------|------|------|------|------|------|----|
| 50kg-300kg | 5.91 | 1.57 | 0.99 | 0.75 | 0.28 | 0.65 | 0.12 | 1.30 | 1.50 | 0.31 | 1.50 | M6 |

## B6G Zemic

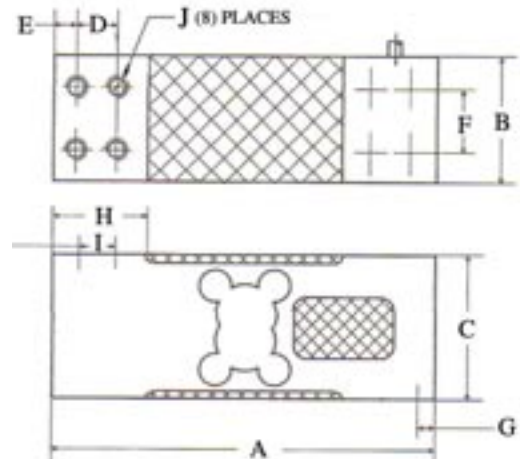
Interchangeable with GC2L1 and TedeA 1263.

2 mv/v, 409/350 ohms, 3m, 6 wire cable, **stainless steel**, IP65.

| Part Number    | Capacity | Weight | SKU  | List      |
|----------------|----------|--------|------|-----------|
| B6G-C3-100-3B6 | 100 kg   | 14 lb  | 7696 | \$ 680.00 |
| B6G-C3-150-3B6 | 150 kg   | 14 lb  | 7697 | 680.00    |
| B6G-C3-200-3B6 | 200 kg   | 14 lb  | 7698 | 680.00    |
| B6G-C3-250-3B6 | 250 kg   | 14 lb  | 7699 | 680.00    |
| B6G-C3-300-3B6 | 300 kg   | 14 lb  | 7700 | 680.00    |
| B6G-C3-500-3B6 | 500 kg   | 14 lb  | 7701 | 680.00    |
| B6G-C3-600-3B6 | 600 kg   | 14 lb  | 7702 | 680.00    |



B6G



### Dimensions in inches

| Capacity    | A    | B    | C    | D    | E    | F    | G    | H    | I    | J  |
|-------------|------|------|------|------|------|------|------|------|------|----|
| 100kg-600kg | 6.85 | 2.36 | 2.56 | 0.75 | 0.75 | 0.28 | 0.28 | 1.69 | 0.75 | M8 |

Prices are subject to change without notice. Please call for current prices.

Other items are available from the manufacturers, please call for quote.

13-01 Pollitt Dr Ext  
Fair Lawn NJ 07410  
201-797-2718

**Totalcomp**  
Components

www.totalcomp.com  
sales@totalcomp.com  
Fax 201-797-2287

# Single Point

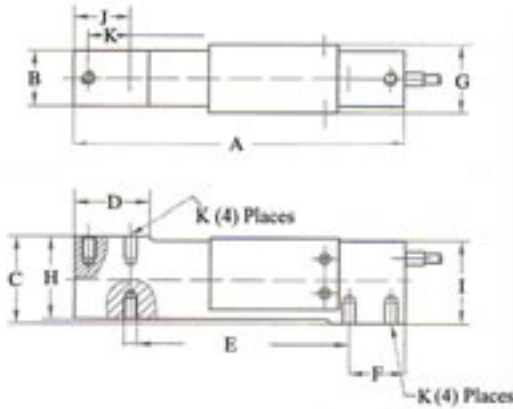


B6N

## B6N Zemic

2 mv/v, 385/350 ohms, 1m, 6 wire cable, stainless steel, IP67.

| Part Number    | Capacity | Nominal | Weight | SKU  | List      |
|----------------|----------|---------|--------|------|-----------|
| B6N-C3-15-1B6  | 15 kg    | 30 lb   | 3 lb   | 7674 | \$ 429.00 |
| B6N-C3-20-1B6  | 20 kg    | 40 lb   | 3 lb   | 7675 | 429.00    |
| B6N-C3-30-1B6  | 30 kg    | 60 lb   | 3 lb   | 7676 | 429.00    |
| B6N-C3-50-1B6  | 50 kg    | 100 lb  | 3 lb   | 7677 | 429.00    |
| B6N-C3-75-1B6  | 75 kg    | 150 lb  | 3 lb   | 7678 | 429.00    |
| B6N-C3-100-1B6 | 100 kg   | 200 lb  | 3 lb   | 7679 | 429.00    |
| B6N-C3-150-1B6 | 150 kg   | 300 lb  | 3 lb   | 7680 | 429.00    |
| B6N-C3-200-1B6 | 200 kg   | 400 lb  | 3 lb   | 7681 | 429.00    |



### Dimensions in inches

| Capacity   | A    | B   | C    | D    | E    | F    | G    | H    | I   | J    | K    | L  |
|------------|------|-----|------|------|------|------|------|------|-----|------|------|----|
| 15kg-200kg | 5.91 | 1.0 | 1.58 | 1.34 | 3.94 | 0.98 | 1.23 | 1.50 | 1.5 | 0.98 | 0.75 | M6 |

Single point

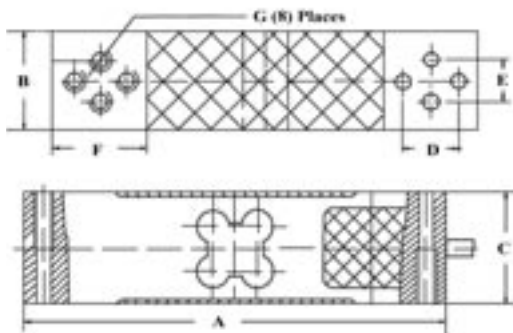


L6E

## L6E Zemic

2 mv/v, 406/350 ohms, ft 4 wire cable, anodized aluminum, IP65.

| Part Number   | Capacity | Nominal | Weight | SKU  | List      |
|---------------|----------|---------|--------|------|-----------|
| L6E-C3-50-2B  | 50 kg    | 100 lb  | 2 lb   | 7682 | \$ 102.00 |
| L6E-C3-60-2B  | 60 kg    | 120 lb  | 2 lb   | 7683 | 102.00    |
| L6E-C3-80-2B  | 80 kg    | 160 lb  | 2 lb   | 7684 | 102.00    |
| L6E-C3-100-2B | 100 kg   | 200 lb  | 2 lb   | 7685 | 102.00    |
| L6E-C3-150-2B | 150 kg   | 300 lb  | 2 lb   | 7686 | 102.00    |
| L6E-C3-200-2B | 200 kg   | 400 lb  | 2 lb   | 7687 | 102.00    |
| L6E-C3-300-2B | 300 kg   | 600 lb  | 2 lb   | 7688 | 102.00    |



### Dimensions in inches

| Capacity   | A    | B    | C    | D    | E    | F    | G  |
|------------|------|------|------|------|------|------|----|
| 50kg-300kg | 5.91 | 1.38 | 1.57 | 0.75 | 0.59 | 1.30 | M6 |

Prices are subject to change without notice. Please call for current prices.

Other items are available from the manufacturers, please call for quote.

# Single Point

## L6G Zemic

Interchangeable with Tedeia 1263.

2 mv/v, 409/350 ohms, 9 ft 6 wire cable, aluminum, IP65.

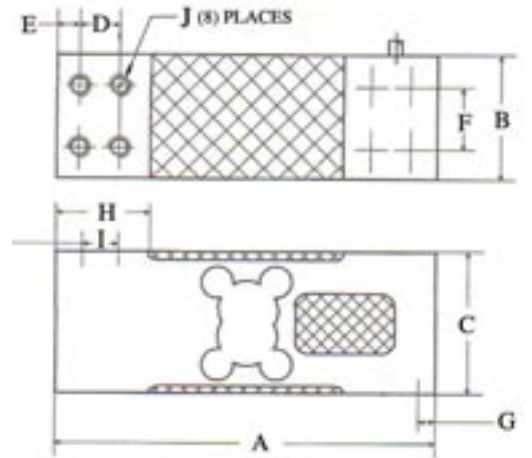
| Part Number    | Capacity | Nominal  | Weight | SKU  | List      |
|----------------|----------|----------|--------|------|-----------|
| L6G-C3-100-3B6 | 100 kg   | 200 lb   | 14 lb  | 7689 | \$ 308.00 |
| L6G-C3-150-3B6 | 150 kg   | 300 lb   | 14 lb  | 7690 | 308.00    |
| L6G-C3-200-3B6 | 200 kg   | 400 lb   | 14 lb  | 7691 | 308.00    |
| L6G-C3-250-3B6 | 250 kg   | 500 lb   | 14 lb  | 7692 | 308.00    |
| L6G-C3-300-3B6 | 300 kg   | 600 lb   | 14 lb  | 7693 | 308.00    |
| L6G-C3-500-3B6 | 500 kg   | 1,000 lb | 14 lb  | 7694 | 308.00    |
| L6G-C3-600-3B6 | 600 kg   | 1,200 lb | 14 lb  | 7695 | 308.00    |



L6G

### Dimensions in inches

| Capacity    | A    | B    | C    | D    | E    | F    | G    | H    | I    | J  |
|-------------|------|------|------|------|------|------|------|------|------|----|
| 100kg-600kg | 6.85 | 2.36 | 2.56 | 0.75 | 0.28 | 1.18 | 0.28 | 1.69 | 0.75 | M8 |



Single point

## BM6A Zemic

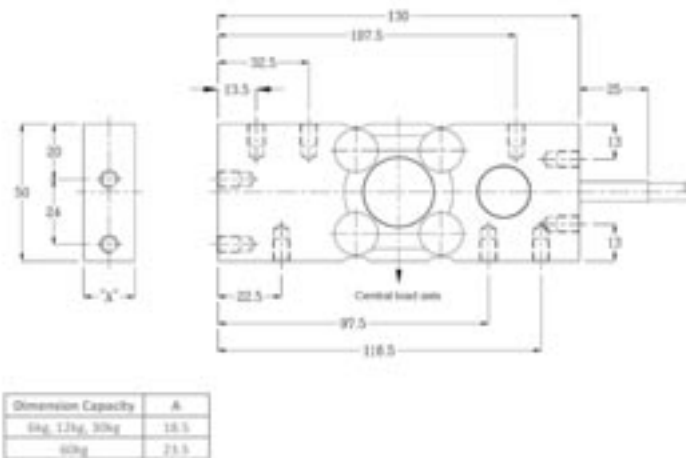
Interchangeable with Revere HPS.

2 mv/v, 400/350 ohms, 6m 6 wire cable, stainless steel, IP68.

| Part Number      | Capacity | Nominal | Weight | SKU  | List      |
|------------------|----------|---------|--------|------|-----------|
| BM6A-C3-6kg-6B6  | 6 kg     | 12 lb   | 4 lb   | 1667 | \$ 565.00 |
| BM6A-C3-12kg-6B6 | 12 kg    | 24 lb   | 4 lb   | 1668 | 565.00    |
| BM6A-C3-30kg-6B6 | 30 kg    | 60 lb   | 4 lb   | 1669 | 565.00    |
| BM6A-C3-6kg-6B6  | 60 kg    | 120 lb  | 4 lb   | 1670 | 565.00    |



BM6A



All threads are M6 x 1 and 8 mm deep.

Prices are subject to change without notice. Please call for current prices.

Other items are available from the manufacturers, please call for quote.

13-01 Pollitt Dr Ext  
Fair Lawn NJ 07410  
201-797-2718

**Totalcomp**  
Components

www.totalcomp.com  
sales@totalcomp.com  
Fax 201-797-2287

# Single Point

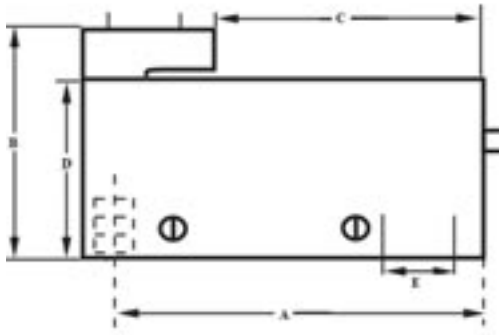


## 0505H Vishay

2 mv/v, 415/350 ohms, 6 wire cable, aluminum, IP65

| Part Number | Capacity | Nominal | Weight | SKU  | List      |
|-------------|----------|---------|--------|------|-----------|
| 0505H-2kg   | 2 kg     | 4 lb    | 1 lb   | 1071 | \$ 322.91 |

Fluid clamp



## Dimensions in inches

| Capacity | A    | B    | C    | D    | E    |
|----------|------|------|------|------|------|
| 2kg      | 4.35 | 2.48 | 3.20 | 1.88 | 0.74 |

## 9010 Tedea Huntleigh, Fluid damped

Single point fluid damped load cell. For checkweighing, hopper and other high speed weighing applications where vibration and tare weight are concerns. These cells are not normally in stock and must be manufactured for each order. An application and order data sheet must be completed prior to placing an order. This data sheet needs information such as live load, dead load, type of vibration, required settling time, operating temperature, conveyor dimensions, belt speed, size of weighed product, direction of travel, tare weight distribution and position, center of gravity and loading position. Simply ask for a data sheet and it will be faxed to you.

Mounting base is 92mm x 199.5mm with (4) 7.0mm dia thru holes. Height is 115mm with (2) 1/4-20 mtg holes.

2 mv/v, 415/350 ohms, 1 m 6 wire cable, anodized aluminum.

| Part Number | Capacity | Nominal | Weight | SKU  | List      |
|-------------|----------|---------|--------|------|-----------|
| 9010-3      | 3 kg     | 6 lb    | 8 lb   | 4487 | \$ 923.78 |
| 9010-5      | 5 kg     | 10 lb   | 8 lb   | 4488 | 923.78    |
| 9010-7      | 7 kg     | 14 lb   | 8 lb   | 4489 | 923.78    |
| 9010-10     | 10 kg    | 20 lb   | 8 lb   | 4490 | 923.78    |
| 9010-15     | 15 kg    | 30 lb   | 8 lb   | 4491 | 923.78    |
| 9010-20     | 20 kg    | 40 lb   | 8 lb   | 4492 | 923.78    |
| 9010-30     | 30 kg    | 60 lb   | 8 lb   | 4493 | 923.78    |
| 9010-50     | 50 kg    | 100 lb  | 8 lb   | 4494 | 923.78    |

### Dimensions in inches

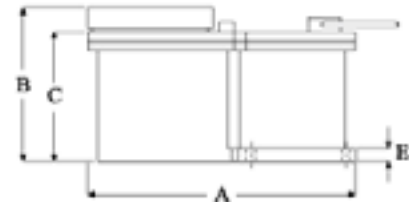
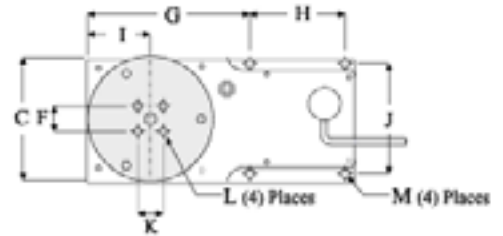
| Capacity | A    | B    | C    | D    | E    | F    | G    | H    |
|----------|------|------|------|------|------|------|------|------|
| 3-50 kg  | 7.85 | 4.53 | 3.62 | 3.83 | 0.39 | 0.75 | 4.71 | 2.81 |

### Dimensions in inches continued

| Capacity | I    | J    | K    | L          | M    |
|----------|------|------|------|------------|------|
| 3-50 kg  | 1.81 | 3.22 | 0.75 | 1/4-20 UNC | 0.27 |



9010



Fluid damp

## 9010 Tedea, Fluid Damped, Stainless Steel

Single point fluid damped load cell. For checkweighing, hopper and other high speed weighing applications where vibration and tare weight are concerns. These cells are not normally in stock and must be manufactured for each order. An application and order data sheet must be completed prior to placing an order. This data sheet needs information such as live load, dead load, type of vibration, required settling time, operating temperature, conveyor dimensions, belt speed, size of weighed product, direction of travel, tare weight distribution and position, center of gravity and loading position. Simply ask for a data sheet and it will be faxed to you.

Mounting base is 92mm x 199.5mm with (4) 7.0mm dia thru holes. Height is 115mm with (2) 1/4-20 mtg holes.

2 mv/v, 415/350 ohms, 1 m 6 wire cable, **stainless steel**.

| Part Number | Capacity | Nominal | Weight | SKU  | List        |
|-------------|----------|---------|--------|------|-------------|
| 9010-3kg    | 3 kg     | 6 lb    | 8 lb   | 1511 | \$ 1,269.68 |
| 9010-5kg    | 5 kg     | 10 lb   | 8 lb   | 1512 | 1,269.68    |
| 9010-7kg    | 7 kg     | 14 lb   | 8 lb   | 1513 | 1,269.68    |
| 9010-10kg   | 10 kg    | 20 lb   | 8 lb   | 1514 | 1,269.68    |
| 9010-15kg   | 15 kg    | 30 lb   | 8 lb   | 1515 | 1,269.68    |
| 9010-20kg   | 20 kg    | 40 lb   | 8 lb   | 1516 | 1,269.68    |
| 9010-30kg   | 30 kg    | 60 lb   | 8 lb   | 1517 | 1,269.68    |
| 9010-50kg   | 50 kg    | 100 lb  | 8 lb   | 1518 | 1,269.68    |

### Dimensions in inches

| Capacity | A    | B    | C    | D    | E    | F    | G    | H    |
|----------|------|------|------|------|------|------|------|------|
| 3-50 kg  | 7.85 | 4.53 | 3.62 | 3.83 | 0.39 | 0.75 | 4.71 | 2.81 |

### Dimensions in inches continued

| Capacity | I    | J    | K    | L          | M    |
|----------|------|------|------|------------|------|
| 3-50 kg  | 1.81 | 3.22 | 0.75 | 1/4-20 UNC | 0.27 |



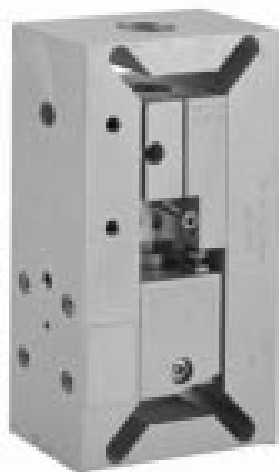
9010  
Stainless steel



Prices are subject to change without notice. Please call for current prices.

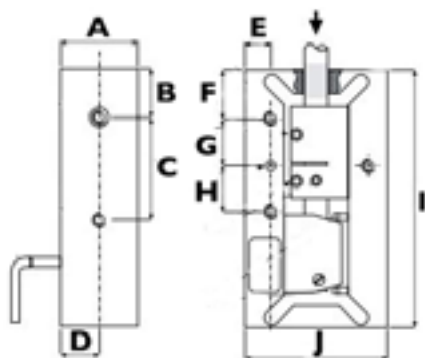
Other items are available from the manufacturers, please call for quote.

# Fluid Damped



1410  
rotary filling

Fluid damp



## 1410 Tedeia, rotary filling machine

Specifically designed for use in rotary filling machine.  
2 mv/v, 415/350 ohm, 0.6m 4 wire cable, aluminum, IP67

| Part Number       | Capacity | Weight | SKU | List      |
|-------------------|----------|--------|-----|-----------|
| 1410-10kg-NAC1-70 | 10 kg    | 9 lb   | 403 | \$ 984.39 |
| 1410-20kg-NAC1-70 | 20 kg    | 9 lb   | 404 | 984.39    |
| 1410-30kg-NAC1-70 | 30 kg    | 9 lb   | 405 | 984.39    |

### Dimensions in inches

| Capacity | A   | B    | C    | D    | E    | F    | G    | H    |
|----------|-----|------|------|------|------|------|------|------|
| 10-30kg  | 1.9 | 1.24 | 2.59 | 0.96 | 0.50 | 1.24 | 1.18 | 1.18 |

### Dimensions in inches continued

| Capacity | I    | J   |
|----------|------|-----|
| 5-30kg   | 6.55 | 3.6 |



## AG Scaime, fluid damped

Single point fluid damped load cell. For checkweighing and other high speed weighing. Mounting base is 80 x 220mm with (4) 9mm dia thru holes 40 x 200mm. Height is 85mm with (2) M6 mtg holes. Height with 240 adapter is 115mm with the 240 bolt pattern. 2 mv/v, 410/350 ohms, 10 ft 6 wire cable, aluminum cell, IP65, **stainless steel** mount., IP65

NTEP Legal for Trade 5,000 div

| Part Number    | Capacity | Nominal | Weight | SKU  | List       |
|----------------|----------|---------|--------|------|------------|
| AG-5kg-5e-240  | 5 kg     | 10 lb   | 6 lb   | 3597 | \$1,598.00 |
| AG-10kg-5e-240 | 10 kg    | 20 lb   | 6 lb   | 3598 | 1,598.00   |
| AG-15kg-5e-240 | 15 kg    | 30 lb   | 6 lb   | 3599 | 1,598.00   |
| AG-20kg-5e-240 | 20 kg    | 40 lb   | 6 lb   | 3600 | 1,598.00   |
| AG-30kg-5e-240 | 30 kg    | 60 lb   | 6 lb   | 3601 | 1,598.00   |

### Options

|                                       |      |      |        |
|---------------------------------------|------|------|--------|
| AG Speed cell stainless steel cover   | 1 lb | 3602 | 170.00 |
| Adapter to Huntleigh 240 bolt pattern | 1 lb | 3596 | 224.00 |

### Dimensions in inches

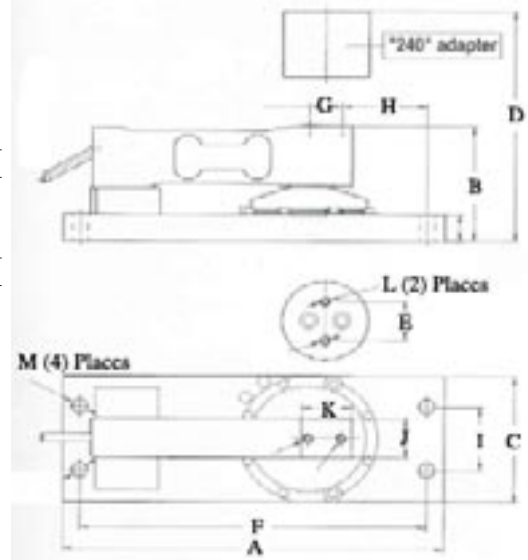
| Capacity | A    | B    | C    | D    | E    | F    | G    | H    |
|----------|------|------|------|------|------|------|------|------|
| 5-30kg   | 8.66 | 2.87 | 3.14 | 4.52 | 0.98 | 7.87 | 0.75 | 1.92 |

### Dimensions in inches continued

| Capacity | I    | J    | K    | L  | M    |
|----------|------|------|------|----|------|
| 5-30kg   | 1.57 | 0.98 | 1.14 | M6 | 0.35 |



AG



Fluid damp

# Fluid Damped



240



## 240 Tedeo, fluid damped

Single point fluid damped load cell. For checkweighing and other high speed weighing applications where washdown protection is required. Mounting base is 8.7" x 3.2" with (4) .35" dia thru holes. Height is 4.5" with (2) 1/4-20 mtg holes.

2 mv/v, 415/350 ohms, 3 m 6 wire cable, zinc passivated base, painted steel case, aluminum upper load bearing.

NTEP Legal for Trade 92-181

| Part Number                        | Capacity | Nominal | Weight | SKU | List      |
|------------------------------------|----------|---------|--------|-----|-----------|
| <b>US threads 1/4-20 mtg holes</b> |          |         |        |     |           |
| 240-2 *                            | 2 kg     | 4.4 lb  | 8 lb   | 360 | \$ 756.58 |
| 240-3 *                            | 3 kg     | 11 lb   | 8 lb   | 284 | 756.58    |
| 240-5                              | 5 kg     | 11 lb   | 9 lb   | 361 | 756.58    |
| 240-7                              | 7 kg     | 15 lb   | 9 lb   | 362 | 756.58    |
| 240-10                             | 10 kg    | 22 lb   | 9 lb   | 363 | 756.58    |
| 240-15                             | 15 kg    | 33 lb   | 9 lb   | 364 | 756.58    |
| 240-20                             | 20 kg    | 44 lb   | 9 lb   | 365 | 756.58    |
| 240-30                             | 30 kg    | 66 lb   | 9 lb   | 366 | 756.58    |
| 240-50                             | 50 kg    | 110 lb  | 9 lb   | 367 | 756.58    |

### Metric threads M6-1.0 mtg holes

|                      |       |        |      |      |        |
|----------------------|-------|--------|------|------|--------|
| 240-2 w/metric thd * | 2 kg  | 4.4 lb | 8 lb | 2355 | 756.58 |
| 240-3 w/metric thd * | 3 kg  | 11 lb  | 8 lb | 3976 | 756.58 |
| 240-5 w/metric thd   | 5 kg  | 11 lb  | 9 lb | 3977 | 756.58 |
| 240-7 w/metric thd   | 7 kg  | 15 lb  | 9 lb | 3978 | 756.58 |
| 240-10 w/metric thd  | 10 kg | 22 lb  | 9 lb | 3979 | 756.58 |
| 240-15 w/metric thd  | 15 kg | 33 lb  | 9 lb | 3980 | 756.58 |
| 240-20 w/metric thd  | 20 kg | 44 lb  | 9 lb | 3981 | 756.58 |
| 240-30 w/metric thd  | 30 kg | 66 lb  | 9 lb | 3982 | 756.58 |
| 240-50 w/metric thd  | 50 kg | 110 lb | 9 lb | 3983 | 756.58 |

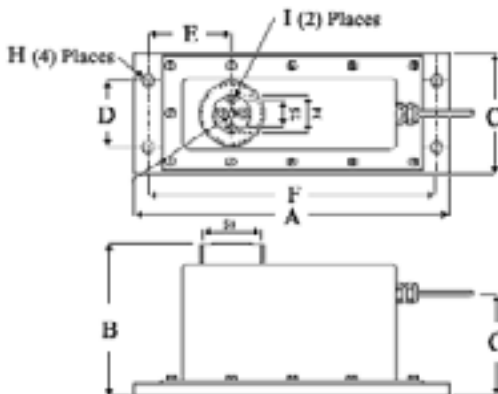
### All stainless steel construction w/ 1/4-20 mtg holes

|                         |       |        |       |      |        |
|-------------------------|-------|--------|-------|------|--------|
| 240-2-SS *              | 2 kg  | 4.4 lb | 8 lb  | 1851 | 904.97 |
| 240-2-SS w/ 20 ft cable | 2 kg  | 11 lb  | 11 lb | 4575 | 886.32 |
| 240-3-SS *              | 3 kg  | 11 lb  | 8 lb  | 289  | 904.97 |
| 240-5-SS                | 5 kg  | 11 lb  | 9 lb  | 1852 | 904.97 |
| 240-7-SS                | 7 kg  | 15 lb  | 9 lb  | 1853 | 840.00 |
| 240-10-SS               | 10 kg | 22 lb  | 9 lb  | 1854 | 904.97 |
| 240-15-SS               | 15 kg | 33 lb  | 9 lb  | 1855 | 904.97 |
| 240-20-SS               | 20 kg | 44 lb  | 9 lb  | 1856 | 904.97 |
| 240-30-SS               | 30 kg | 66 lb  | 9 lb  | 1857 | 904.97 |
| 240-50-SS               | 50 kg | 110 lb | 9 lb  | 1858 | 904.97 |

\* Not NTEP

### All stainless steel construction w/metric threads MC mounted holes

|                         |       |        |      |      |        |
|-------------------------|-------|--------|------|------|--------|
| 240-2-SS w/ metric thd  | 2 kg  | 4 lb   | 8 lb | 1698 | 904.97 |
| 240-3-SS w/ metric thd  | 3 kg  | 7 lb   | 9 lb | 1699 | 904.97 |
| 240-5-SS w/ metric thd  | 5 kg  | 11 lb  | 9 lb | 1700 | 904.97 |
| 240-7-SS w/ metric thd  | 7 kg  | 15 lb  | 9 lb | 1701 | 904.97 |
| 240-20-SS w/ metric thd | 20 kg | 22 lb  | 9 lb | 1702 | 904.97 |
| 240-30-SS w/ metric thd | 30 kg | 66 lb  | 9 lb | 1703 | 904.97 |
| 240-50-SS w/ metric thd | 50 kg | 110 lb | 9 lb | 1704 | 904.97 |



### Dimensions in inches

| Capacity | A    | B    | C    | D    | E    | F    | G    | H    | I          |
|----------|------|------|------|------|------|------|------|------|------------|
| 2-50 kg  | 8.66 | 4.52 | 3.14 | 1.57 | 2.30 | 7.87 | 2.51 | 0.35 | 1/4-20 UNC |

Prices are subject to change without notice. Please call for current prices.

Other items are available from the manufacturers, please call for quote.

# Fluid Damped

## 260 Utilcell

Interchangeable with Tedeo 240. Stainless steel replacement for painted steel Tedeo 240. Single point fluid damped load cell. For checkweighing and other high speed weighing applications where washdown protection is required. Mounting base is 8.7" x 3.2" with (4) .35" dia thru holes. Height is 4.5" with (2) 1/4-20 mtg holes.

2 mv/v, 415/350 ohms, 3 m 6 wire cable, **stainless steel**, IP67

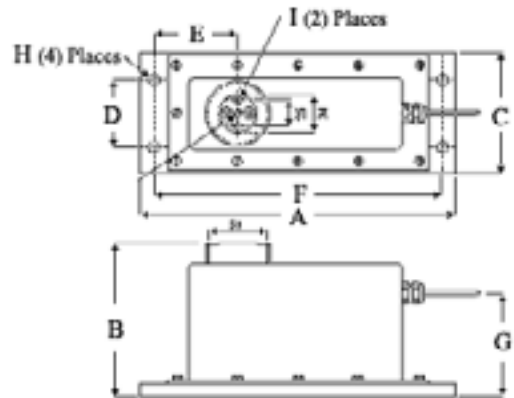
| Part Number | Capacity | Nominal | Weight | SKU  | List      |
|-------------|----------|---------|--------|------|-----------|
| 260-2kg-US  | 2 kg     | 4 lb    | 8 lb   | 8246 | \$ 729.00 |
| 260-3kg-US  | 3 kg     | 6 lb    | 8 lb   | 8247 | 689.00    |
| 26015kg-US  | 15 kg    | 30 lb   | 9 lb   | 8251 | 689.00    |
| 260-20kg-US | 20 kg    | 40 lb   | 9 lb   | 8252 | 689.00    |
| 260-50kg-US | 50 kg    | 100 lb  | 9 lb   | 8254 | 689.00    |



260

### Dimensions in inches

| Capacity | A    | B    | C    | D    | E    | F    | G    | H    | I          |
|----------|------|------|------|------|------|------|------|------|------------|
| 2-50 kg  | 8.66 | 4.52 | 3.14 | 1.57 | 2.30 | 7.87 | 2.51 | 0.35 | 1/4-20 UNC |



Fluid damp

Prices are subject to change without notice. Please call for current prices.

Other items are available from the manufacturers, please call for quote.

13-01 Pollitt Dr Ext  
Fair Lawn NJ 07410  
201-797-2718

**Totalcomp**  
Components

www.totalcomp.com  
sales@totalcomp.com  
Fax 201-797-2287

# Foot cell



Fat Foot

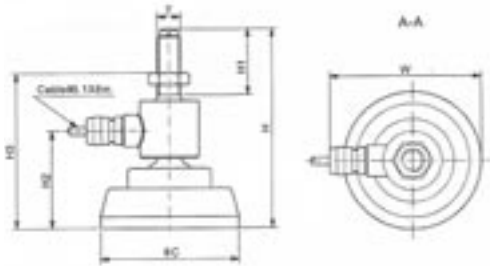
## 106MS Anyload Fat Foot

A scale foot that includes a load cell. Special applications will allow the use of this unique space saving load cell. Machines such as pallet wrappers and cardboard and paper bailers have used this foot load cell to save space and simplify installation. **Stainless steel** construction will work in harsh environments.

2 mv/v, 380/350 ohm, 6m 4 wire cable, **stainless steel**, IP67

| Part Number       | Capacity | Weight | SKU | List      |
|-------------------|----------|--------|-----|-----------|
| 106MS-F-1Klb-YZ   | 1,000 lb | 2 lb   | 120 | \$ 325.00 |
| 106MS-F-2.5Klb-YZ | 2,500 lb | 2 lb   | 121 | 325.00    |

Foot cell



### Dimensions in inches

| Capacity       | C    | H    | H1   | H2   | H3        | W    | T         |
|----------------|------|------|------|------|-----------|------|-----------|
| 1,000-2,500 lb | 2.76 | 3.99 | 1.32 | 1.96 | 2.99-3.90 | 3.03 | 1/2-20UNF |

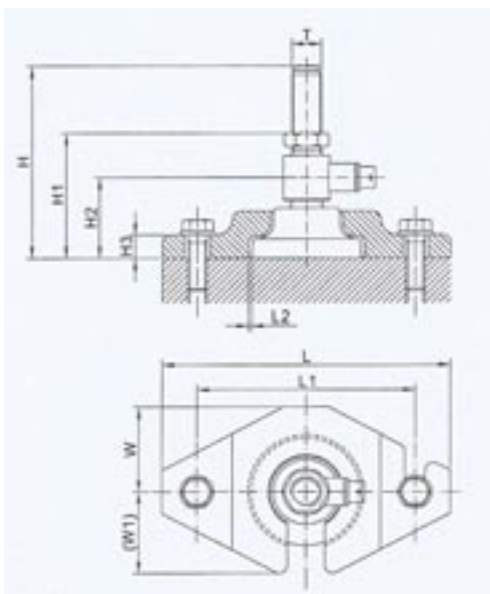


Fat Foot module

## Fat Foot module Anyload

Alloy steel module will make the Fat Foot into a tank mount load cell. Center pivoted and self checking with 50% rated load antilifting protection. All direction for thermal expansion and contraction. Does not include Fat Foot load cell.

| Part Number                        | Capacity | Weight | SKU | List      |
|------------------------------------|----------|--------|-----|-----------|
| 106MhM1-(1-2.5)Klb fat foot module | 1-2.5K   | 3 lb   | 915 | \$ 201.00 |



### Dimensions in inches

| Capacity | H    | H1        | H2   | H3   | L    | L1   | L2   | W    | W1   | T         |
|----------|------|-----------|------|------|------|------|------|------|------|-----------|
| 1K-2.5K  | 3.75 | 2.67-3.58 | 1.72 | 0.55 | 6.89 | 5.51 | 0.08 | 1.97 | 1.95 | 1/2-20UNF |

Prices are subject to change without notice. Please call for current prices.

Other items are available from the manufacturers, please call for quote.

# Load Pins

## KOSD Vishay

The KOSD load cell has a rugged design for harsh environment and is suitable for force measurement and overload protection. The sensing element consists of three sections, the two outer sections constitute supports and the middle section is the load sensing part.

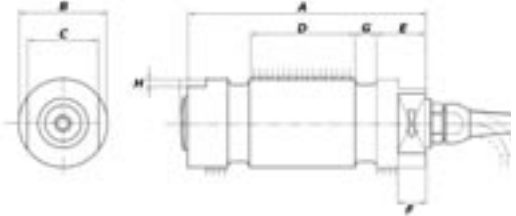
| Part Number | Capacity | Weight | SKU | List       |
|-------------|----------|--------|-----|------------|
| KOSD-0313   | 60kn     | 6 lb   | 712 | \$1,575.00 |



0313

### Dimensions in inches

| Capacity | A    | B    | C    | D    | E    | F    | G    | H    |
|----------|------|------|------|------|------|------|------|------|
| 60kn     | 4.33 | 1.57 | 1.26 | 1.38 | 1.10 | 0.63 | 0.47 | 0.16 |



Load pin

Prices are subject to change without notice. Please call for current prices.

Other items are available from the manufacturers, please call for quote.

13-01 Pollitt Dr Ext  
Fair Lawn NJ 07410  
201-797-2718

 **Totalcomp**  
Components

www.totalcomp.com  
sales@totalcomp.com  
Fax 201-797-2287

# Load Pins



HTZ Web Tension module  
Pillow block is not included

## HTZ BLH Nobel

Rugged **stainless steel** 'I' beam sensing section. HTZ-3 Web Tension Measurement Modules are designed to mount directly below roller pillow blocks in new or existing installations. Factory calibration eliminates need for on-site test weights. Space required below the pillow block bearing is minimal effort. Modules are calibrated and certified with matched output signals to permit on-site, push-button system calibration.

| Part Number | Capacity  | Weight | SKU  | List        |
|-------------|-----------|--------|------|-------------|
| HTZ-3-500   | 500 lb    | 10 lb  | 1288 | \$ 1,947.00 |
| HTZ-3-1k    | 1,000 lb  | 10 lb  | 1289 | 1,947.00    |
| HTZ-3-2k    | 2,000 lb  | 15 lb  | 1290 | 2,160.00    |
| HTZ-3-5k    | 5,000 lb  | 15 lb  | 1291 | 2,160.00    |
| HTZ-3-10k   | 10,000 lb | 35 lb  | 1292 | 2,556.00    |
| HTZ-3-20k   | 20,000 lb | 50 lb  | 1293 | 2,654.00    |
| HTZ-3-50k   | 50,000 lb | 75 lb  | 1294 | 3,663.00    |

# Load Pins

## 535AHM2 Anyload load cell shackle

Shackle with a load cell built in. High Tensile anchor shackle. Bobbin design provides high accuracy and repeatability.

2.5 mv/v, 350/350 ohms, 6m 4 wire cable, alloy steel, IP67

| Part Number | Capacity | Weight | SKU  | List      |
|-------------|----------|--------|------|-----------|
| 535AHM2-10t | 10,000kg | 8 lb   | 2313 | \$ 735.00 |
| 535AHM2-15t | 15,000kg | 12 lb  | 2314 | 962.00    |
| 535AHM2-20t | 20,000kg | 20 lb  | 2315 | 1,287.00  |

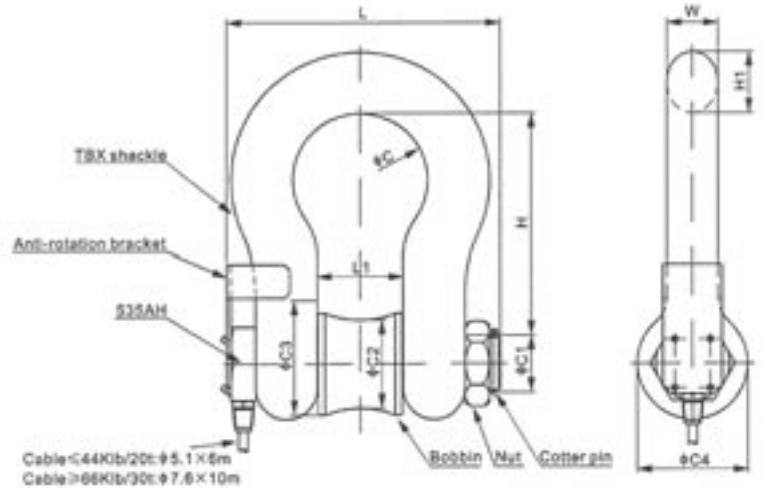


535AHM2 Shackle

Load pin

### Dimensions in mm

| Capacity | C    | C1 | C2 | C3 | C4   | H     | H1 | L   | L1 | W    |
|----------|------|----|----|----|------|-------|----|-----|----|------|
| 10t      | 58.5 | 30 | 45 | 50 | 60.5 | 95.0  | 27 | 146 | 43 | 25.5 |
| 15t      | 74.0 | 33 | 50 | 55 | 68.5 | 108.0 | 32 | 160 | 46 | 29.5 |
| 20t      | 92.0 | 39 | 58 | 65 | 84.0 | 133.5 | 38 | 186 | 57 | 36.0 |



Prices are subject to change without notice. Please call for current prices.

Other items are available from the manufacturers, please call for quote.

13-01 Pollitt Dr Ext  
Fair Lawn NJ 07410  
201-797-2718

**Totalcomp**  
Components

www.totalcomp.com  
sales@totalcomp.com  
Fax 201-797-2287

# Base



DSS Series  
Stainless Steel Scale Bases



## DSS Doran, stainless steel base

304 stainless steel construction to resist the corrosive effects of a wet environment. All square tube construction. Platters are fully removable for easy cleaning. Seven overload stops provide 250% protection shielding the load cell from damaging shock. Four adjustable feet and a bubble level to allow precise leveling in your work area. IP66 rated load cell. Two year warranty.

NTEP Legal for Trade 05-062

| Part Number                            | Capacity | Load Cell  | Weight | SKU  | List        |
|--|----------|------------|--------|------|-------------|
| <b>18" x 18" Platform x 5.25" high</b> |          |            |        |      |             |
| DSS3100                                | 100 lb   | 1260-75kg  | 67 lb  | 6840 | \$ 1,395.00 |
| DSS3250                                | 250 lb   | 1260-150kg | 67 lb  | 6846 | 1,395.00    |
| DSS3500                                | 500 lb   | 1260-300kg | 67 lb  | 6852 | 1,395.00    |
| <b>18" x 24" Platform x 5.25" high</b> |          |            |        |      |             |
| DSS4250                                | 250 lb   | 1260-150kg | 69 lb  | 6850 | 1,615.00    |
| DSS4500                                | 500 lb   | 1260-300kg | 69 lb  | 6851 | 1,615.00    |
| <b>24" x 24" Platform x 5.25" high</b> |          |            |        |      |             |
| DSS5250                                | 250 lb   | 1260-150kg | 85 lb  | 6853 | 1,975.00    |
| DSS5500                                | 500 lb   | 1260-300kg | 85 lb  | 6854 | 1,975.00    |
| DSS51000                               | 1000 lb  | 1260-500kg | 85 lb  | 6855 | 1,975.00    |

Base



DMS Series  
Mild Steel Scale Bases



## DMS Doran, mild steel base

Heavy gauge steel construction. All square tube construction. Seven overload stops provide 250% protection shielding the load cell from damaging shock. Royal blue Epoxy paint. Four adjustable feet and a bubble level to allow precise leveling in your work area.

Two year warranty

NTEP Legal for Trade 05-062

| Part Number                          | Capacity | Load Cell  | Weight | SKU  | List      |
|--------------------------------------|----------|------------|--------|------|-----------|
| <b>18 x 18 Platform x 5.25" high</b> |          |            |        |      |           |
| DMS3100                              | 100 lb   | 1260-75kg  | 65 lb  | 6856 | \$ 925.00 |
| DMS3250                              | 250 lb   | 1260-250kg | 65 lb  | 6857 | 925.00    |
| <b>24 x 24 Platform x 5.25" high</b> |          |            |        |      |           |
| DMS5250                              | 250 lb   | 1260-250kg | 83 lb  | 6861 | 1,150.00  |
| DMS5500                              | 500 lb   | 1260-300kg | 83 lb  | 686  | 1,150.00  |
| DMS51000                             | 1000 lb  | 1260-500kg | 83 lb  | 6863 | 1,150.00  |

Prices are subject to change without notice. Please call for current prices.

Other items are available from the manufacturers, please call for quote.



## Base

doran

### DXL7000 Scale base

**Stainless steel** platform and base. Shockproof base with Quad Spring design that protects against shock and overload damage.

2 mv/v, 415/350 ohms, 10 ft 6 conductor cable, w/ Model 1022, 1042, 1260 load cell.

Canadian AM-5241

NTEP Legal for Trade 97-097

| Part Number                         | Load Cell  | Capacity | Weight  | SKU  | List      |
|-------------------------------------|------------|----------|---------|------|-----------|
| <b>10" x 10" platform x 2" High</b> |            |          |         |      |           |
| DXL7002                             | 1022-3kg   | 2 lb     | 13 lb   | 3706 | \$ 690.00 |
| DXL7005                             | 1022-5kg   | 5 lb     | 13 lb   | 3649 | 690.00    |
| <b>12" x 12" platform x 3" High</b> |            |          |         |      |           |
| DXL8050                             | 1042-30kg  | 50 lb    | 19 lb   | 3653 | 800.00    |
| DXL8100                             | 1042-75kg  | 100 lb   | 19 lb   | 3654 | 800.00    |
| <b>15" x 15" platform x 3" High</b> |            |          |         |      |           |
| DXL9050                             | 1042-30kg  | 50 lb    | 34 lb   | 3033 | 1,120.00  |
| DXL9100                             | 1042-50kg  | 100 lb   | 34 lb   | 3034 | 1,120.00  |
| DXL9200                             | 1042-100kg | 200 lb   | 34 lb   | 3035 | 1,120.00  |
| <b>Service Parts</b>                |            |          |         |      |           |
| ENC 0148 platter                    | 10" x 10"  |          | 3 lb    | 3671 | 85.71     |
| LCP2203 load cell DXL7002           |            | 3kg      | 0.89 lb | 2496 | 159.00    |



DXL7050



Atlas Column

Base

doran

### Atlas Column

Heavy duty column for mounting any Doran indicator 7000M, 7000XLM, 8000XLM, 4300M to any Doran DXL or DSP base. Platform sizes 10" x 10" to 24" x 24". Column has a built in handle for easy carrying.

| Part Number          | Height | Weight | SKU | List      |
|----------------------|--------|--------|-----|-----------|
| SUB0417 Atlas column | 14"    | 8 lb   | 417 | \$ 293.00 |
| SUB0425 Atlas column | 20"    | 12 lb  | 427 | 393.00    |
| SUB0426 Atlas column | 30"    | 16 lb  | 425 | 626.00    |



Atlas Column  
w/o Indicator and Base

Prices are subject to change without notice. Please call for current prices.

Other items are available from the manufacturers, please call for quote.

13-01 Pollitt Dr Ext  
Fair Lawn NJ 07410  
201-797-2718

**Totalcomp**  
Components

www.totalcomp.com  
sales@totalcomp.com  
Fax 201-797-2287



**6400 Series**  
**Remote Base**  
 Optional Stainless (upper)  
 Powder coat finish (lower)



## 6400 Pennsylvania, remote scale base

Heavy duty cast construction Powder coat finish steel base. Uses Tedeo 1260 single point load cells. For use with Pennsylvania Counting scales as a remote platform. Optional stainless steel construction is available.

2 mv/v, 0.01% nonlinearity, 415/350 ohms, 10 ft 6 conductor cable

NTEP Legal for Trade 90-161

Canada AM-4714 Rev. 4 5,000 div

| Part Number               | Height | Capacity | Cell(s) | Weight | SKU  | List      |
|---------------------------|--------|----------|---------|--------|------|-----------|
| <b>18" x 18" Platform</b> |        |          |         |        |      |           |
| 6400-1818-100 *           | 5"     | 100 lb   | 50 kg   | 65 lb  | 6592 | \$ 850.00 |
| 6400-1818-250             | 5"     | 250 lb   | 150 kg  | 65 lb  | 6593 | 850.00    |
| 6400-1818-500             | 5"     | 500 lb   | 250 kg  | 65 lb  | 6594 | 850.00    |
| 6400-1818-1000            | 5"     | 1,000 lb | 500 kg  | 65 lb  | 6595 | 850.00    |
| <b>18" x 24" Platform</b> |        |          |         |        |      |           |
| 6400-1824-100 *           | 5"     | 100 lb   | 50 kg   | 75 lb  | 6596 | 950.00    |
| 6400-1824-250             | 5"     | 250 lb   | 75 kg   | 75 lb  | 6597 | 950.00    |
| 6400-1824-500             | 5"     | 500 lb   | 250 kg  | 75 lb  | 6598 | 950.00    |
| 6400-1824-1000            | 5"     | 1,000 lb | 500 kg  | 75 lb  | 6599 | 950.00    |
| <b>24" x 24" Platform</b> |        |          |         |        |      |           |
| 6400-2424-100 *           | 5"     | 100 lb   | 50 kg   | 85 lb  | 6600 | 1,050.00  |
| 6400-2424-250             | 5"     | 250 lb   | 150 kg  | 85 lb  | 6601 | 1,050.00  |
| 6400-2424-500             | 5"     | 500 lb   | 250 kg  | 85 lb  | 6602 | 1,050.00  |
| 6400-2424-1000            | 5"     | 1,000 lb | 500 kg  | 85 lb  | 6603 | 1,050.00  |

\* Not NTEP

### Options

|  |       |      |        |
|--|-------|------|--------|
| SS Top cover 18" x 18"                     | 6 lb  | 4285 | 358.00 |
| SS Top cover 18" x 24"                     | 8 lb  | 4286 | 385.00 |
| SS Top cover 24" x 24"                     | 12 lb | 4287 | 495.00 |
| 56750-10 Ball top transfer plate 18" x 18" | 26 lb | 6604 | 385.00 |
| 56750-8 Ball top transfer plate 18" x 24"  | 26 lb | 6605 | 435.00 |
| 56750-9 Ball top transfer plate 24" x 24"  | 26 lb | 6606 | 578.00 |



**6900 Pennsylvania, barrel weighing base**

Clean compact low profile design and rugged construction. For use with Pennsylvania Counting scales as a remote platform. Optional stainless steel construction is available.

**6900** is permanent unit. It includes (1) detachable ramp, (1) indicator column and mounting plate for indicator. Indicator is not included. Flat portion is 30" x 30" or 36" x 36". Side rails are live. Overall size is 30" x 36" or 36" x 42".

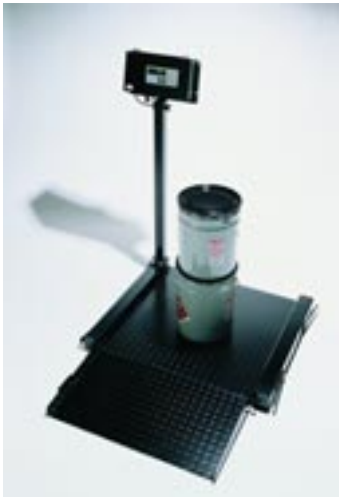
**6950** is a permanent unit. It includes a flat platform with (2) built in ramps. Adjustable leveling feet. Flat portion is 30" x 30". Live side rails and integral ramps have overall dimensions 36" x 48"

2 mv/v (1K unit is 1 mv/v), 415/350 ohms, 20 ft 6 conductor cable, IP67.

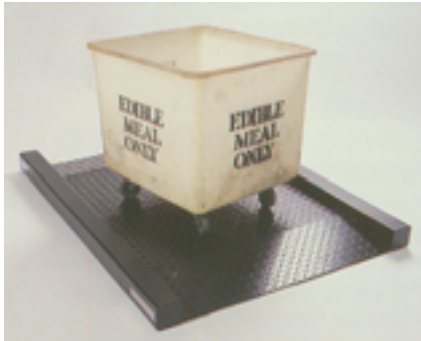
| Part Number   | Height | Capacity | Nominal   | Weight | SKU  | List        |
|---|--------|----------|-----------|--------|------|-------------|
| <b>Permanent detachable ramp, column &amp; mounting for indicator</b> |        |          |           |        |      |             |
| M6900-3030-1K   | 1.5"   | 1,000 lb | 30" x 30" | 250 lb | 6612 | \$ 2,595.00 |
| M6900-3030-2K   | 1.5"   | 2,000 lb | 30" x 30" | 250 lb | 6613 | 2,595.00    |
| <br>  |        |          |           |        |      |             |
| M6900-3636-1K   | 1.5"   | 1,000 lb | 36" x 36" | 250 lb | 6452 | 2,695.00    |
| M6900-3636-2K   | 1.5"   | 2,000 lb | 36" x 36" | 250 lb | 6453 | 2,695.00    |
| <br>  |        |          |           |        |      |             |
| <b>Permanent w/live side rails and built in ramps</b>                 |        |          |           |        |      |             |
| M6950-3030-1K   | 1.5"   | 1,000 lb | 30" x 30" | 250 lb | 6614 | 2,695.00    |
| M6950-3030-2K   | 1.5"   | 2,000 lb | 30" x 30" | 250 lb | 6615 | 2,695.00    |

**Options**

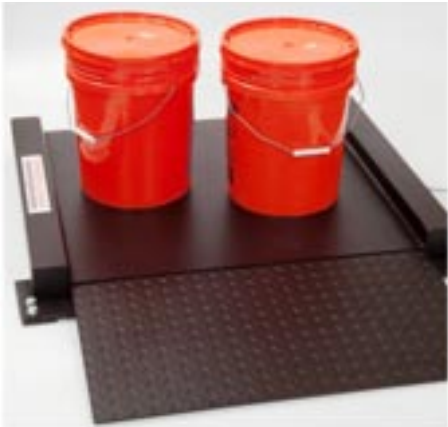
SS construction for 6950, price adder 6455 6,495.00



**M69PB Series  
Barrel Weighing Base  
Shown w/ optional  
indicator**



**6950 Series  
Barrel Weighing Base  
built in ramps**



**M6900**

**Base**

Prices are subject to change without notice. Please call for current prices.

Other items are available from the manufacturers, please call for quote.



7000 Series  
Remote Base



## 7000 Pennsylvania, remote scale base

Heavy duty cast construction or fabricated design for 8" x 8" size. Stainless steel platform cover. Painted steel base. Uses Tedeo 1260 single point load cells. For use with Pennsylvania Counting scales as a remote platform.

2 mv/v, 415/350 ohms, 10 ft 6 conductor cable

NTEP Legal for Trade 91-149

Canada AM-4869 Rev. 2 5,000 div

| Part Number               | Height | Capacity | Cell(s) | Weight | SKU  | List      |
|---------------------------|--------|----------|---------|--------|------|-----------|
| <b>8" x 8" Platform</b>   |        |          |         |        |      |           |
| 7000-2 lb *               | 3.5"   | 2 lb     | 1 kg    | 8 lb   | 6582 | \$ 600.00 |
| 7000-5 lb *               | 3.5"   | 5 lb     | 2.5 kg  | 8 lb   | 6583 | 600.00    |
| * Not NTEP                |        |          |         |        |      |           |
| <b>12" x 14" Platform</b> |        |          |         |        |      |           |
| 7000-10 lb                | 4"     | 10 lb    | 5 kg    | 18 lb  | 6584 | 600.00    |
| 7000-20 lb                | 4"     | 20 lb    | 10 kg   | 18 lb  | 6585 | 600.00    |
| 7000-50 lb                | 4"     | 50 lb    | 30 kg   | 18 lb  | 6586 | 600.00    |
| 7000-100 lb               | 4"     | 100 lb   | 50 kg   | 18 lb  | 6587 | 600.00    |
| 7000-150 lb               | 4"     | 150 lb   | 75 kg   | 18 lb  | 6588 | 600.00    |
| 7000-200 lb               | 4"     | 100 kg   | 100 kg  | 18 lb  | 6589 | 600.00    |

### Options

|  |  |  |  |       |      |        |
|--|--|--|--|-------|------|--------|
| 56750-11 Ball top transfer plate 12" x 14"       |  |  |  | 26 lb | 6590 | 248.00 |
| For 50 lb and higher capacity, factory installed |  |  |  |       |      |        |



**Defender Ohaus, rectangular base**

Stainless steel platform. Tubular welded painted steel frame. Aluminum load cell.  
NTEP Legal for Trade 08-021

| Part Number                   | Height | Capacity      | Nominal | Weight | SKU  | List      |
|-------------------------------|--------|---------------|---------|--------|------|-----------|
| <b>14" x 12" Platform</b>     |        |               |         |        |      |           |
| D30BR                         | 4.8"   | 60 x 0.01 lb  | 50 kg   | 25 lb  | 2721 | \$ 879.00 |
| D60BR                         | 4.8"   | 150 x 0.02 lb | 100 kg  | 25 lb  | 2722 | 879.00    |
| <b>21.6" x 16.5" Platform</b> |        |               |         |        |      |           |
| D150BL                        | 5.4"   | 300 x 0.05 lb | 150 kg  | 41 lb  | 2724 | 906.00    |
| <b>25.6" x 19.7" Platform</b> |        |               |         |        |      |           |
| D150BX                        | 5.6"   | 300 x 0.05 lb | 150 kg  | 71 lb  | 2709 | 1,014.00  |
| D300BX                        | 5.6"   | 600 x 0.1 lb  | 300 kg  | 71 lb  | 2710 | 1,014.00  |



Defender Basic  
Rectangular Scale Base

Base

Prices are subject to change without notice. Please call for current prices.

Other items are available from the manufacturers, please call for quote.

13-01 Pollitt Dr Ext  
Fair Lawn NJ 07410  
201-797-2718

**Totalcomp**  
Components

www.totalcomp.com  
sales@totalcomp.com  
Fax 201-797-2287



TBT  
Platform  
Mild Steel



**TBT Totalcomp, painted mild steel base**

Painted mild steel base and heavy gauge **stainless steel** pan. Aluminum or nickel plated steel load cell. Integral overload protection is provided for both static and dynamic overloads. Adjustable rubber feet. Bubble level.

2 mv/v, 405/350 ohms, 9 ft 6 conductor cable.

NTEP Legal for Trade 14-050

| Part Number   | Load Cell    | Capacity | Weight | SKU  | List      |
|---|--------------|----------|--------|------|-----------|
| <b>12" x 12" Platform</b> x 4.25" High w/ aluminum load cell.     |              |          |        |      |           |
| TBT-1212-15   | GS1022-15 kg | 15 lb    | 30 lb  | 5782 | \$ 295.00 |
| TBT-1212-30   | GS1022-30 kg | 30 lb    | 30 lb  | 5783 | 295.00    |
| TBT-1212-50   | 1022-50kg    | 50 lb    | 30 lb  | 5784 | 325.00    |
| TBT-1212-100  | L6E-100 kg   | 100 lb   | 30 lb  | 5786 | 325.00    |
| <b>16" x 16" Platform</b> x 4.75" High w/ aluminum load cell.     |              |          |        |      |           |
| TBT-1616-50-CS  | L6E-50 kg    | 50 lb    | 30 lb  | 7751 | 241.00    |
| TBT-1616-100-CS   | L6E-100 kg   | 100 lb   | 30 lb  | 7752 | 241.00    |
| TBT-1616-200-CS   | L6E-200 kg   | 200 lb   | 30 lb  | 7753 | 241.00    |
| TBT-1616-400-CS   | L6E-300 kg   | 400 lb   | 30 lb  | 7754 | 241.00    |
| <b>18" x 18" Platform</b> x 5.5" High w/ aluminum load cell.      |              |          |        |      |           |
| TBT-1818-100-CS   | L6E3-100 kg  | 100 lb   | 70 lb  | 7151 | 339.00    |
| TBT-1818-200-CS   | L6E3-200 kg  | 200 lb   | 70 lb  | 7152 | 339.00    |
| TBT-1818-300-CS   | L6E3-300 kg  | 300 lb   | 70 lb  | 7450 | 339.00    |
| <b>24" x 24" Platform</b> x 5.5" high w/ aluminum load cell.      |              |          |        |      |           |
| TBT-2424-100-CS   | L6G-100 kg   | 100 lb   | 82 lb  | 7755 | 558.00    |
| TBT-2424-200-CS   | L6G-200 kg   | 200 lb   | 82 lb  | 7756 | 558.00    |
| TBT-2424-250-CS   | L6G-250 kg   | 250 lb   | 82 lb  | 7757 | 558.00    |
| TBT-2424-300-CS   | L6G-300 kg   | 300 lb   | 82 lb  | 7615 | 558.00    |
| TBT-2424-500-CS   | L6G-500 kg   | 500 lb   | 82 lb  | 7758 | 558.00    |
| TBT-2424-1000-CS  | L6G-600 kg   | 1,000 lb | 82 lb  | 7759 | 558.00    |
| <b>Options</b>  |              |          |        |      |           |
| TBT-1616 SS pole and bracket 23" high                             |              |          | 4 lb   | 7662 | 63.80     |
| TBT-2424 SS pole and bracket 26" high                             |              |          | 4 lb   | 7663 | 68.40     |
| <b>Service Parts</b>  |              |          |        |      |           |
| <b>Foot for 16" x 16" &amp; 24" x 24"</b>                         |              |          |        |      |           |
| TBT-M12-SPB-SS foot M12, 2 3/4" dia                               |              |          | 1 lb   | 7660 | 5.80      |
| TBT-M12-PB-MS foot M12, 2 3/4" dia                                |              |          | 1 lb   | 7666 | 5.92      |
| Corner bumper, internal 9.5x9.5, 12x12, 12x14                     |              |          | 1 lb   | 6011 | 9.68      |
| Corner bumper, internal 16 x 16, 18 x 18, 24 x 24                 |              |          | 1 lb   | 6012 | 7.26      |
| Flat bumper, internal 16 x 16, 18 x 18, 24 x 24                   |              |          | 1 lb   | 6013 | 7.26      |
| Flat bumper, round, internal<br>12 x 12, 12 x 14, 16 x16, 24 x 24 |              |          | 1 lb   | 7121 | 6.00      |



**TPB Totalcomp, Carbon steel base**

Platform aluminum load cell. Carbon steel subframe with heavy gauge **stainless steel** cover.

2 mv/v, 415/350 ohms, 9 ft 6 conductor cable, IP67  
NTEP Legal for Trade 00-126

| Part Number                         | Capacity | Load Cell  | Weight | SKU  | List      |
|-------------------------------------|----------|------------|--------|------|-----------|
| <b>12" x 12" Platform x 4" High</b> |          |            |        |      |           |
| TPB-1212-50-CS                      | 50 lb    | 1040-50 kg | 36 lb  | 3898 | \$ 750.00 |
| TPB-1212-100-CS                     | 100 lb   | 1040-75 kg | 36 lb  | 3899 | 750.00    |
| <b>18" x 18" Platform x 4" High</b> |          |            |        |      |           |
| TPB-1818-50-CS                      | 50 lb    | 1040-50 kg | 57 lb  | 3904 | 1,250.00  |
| <b>Service Parts</b>                |          |            |        |      |           |
| 912-00003 foot 1/4-20 <200 lb       |          |            | 1 lb   | 3285 | 25.70     |
| 912-00005 foot >=200 lb             |          |            | 1 lb   | 3286 | 94.28     |



TPB-1212-50-CS



Internal view  
TPB-1212-50-CS

Base

Prices are subject to change without notice. Please call for current prices.

Other items are available from the manufacturers, please call for quote.

13-01 Pollitt Dr Ext  
Fair Lawn NJ 07410  
201-797-2718



www.totalcomp.com  
sales@totalcomp.com  
Fax 201-797-2287



**TBT-SS**  
Platform Base  
Stainless Steel



Base



**TBT-99**  
Platform Base  
Stainless Steel

**TBT-SS Totalcomp, stainless steel base**

All stainless steel base and heavy guage stainless steel pan. Stainless steel load cell. Integral overload protection is provided for both static and dynamic overloads. Adjustable rubber feet. Bubble level.

2 mv/v, 385/350 ohms, 9 ft 6 conductor cable IP67.

NTEP Legal for Trade 14-050

| Part Number | Load Cell | Capacity | Weight | SKU | List |
|-------------|-----------|----------|--------|-----|------|
|-------------|-----------|----------|--------|-----|------|

**9.5" x 9.5" Platform x 2.25" High**

|              |                |       |       |      |           |
|--------------|----------------|-------|-------|------|-----------|
| TBT-99-6-SS  | GS1022-5kg-SS  | 6 lb  | 10 lb | 7348 | \$ 299.00 |
| TBT-99-15-SS | GS1022-15kg-SS | 15 lb | 10 lb | 7630 | 299.00    |
| TBT-99-30-SS | GS1022-30kg-SS | 30 lb | 10 lb | 7631 | 299.00    |

**12" x 12" Platform x 4.25" High**

|                |           |       |       |      |        |
|----------------|-----------|-------|-------|------|--------|
| TBT-1212-15-SS | B6N-15 kg | 15 lb | 27 lb | 7731 | 509.00 |
| TBT-1212-30-SS | B6N-30 kg | 30 lb | 27 lb | 7732 | 509.00 |
| TBT-1212-50-SS | B6N-50 kg | 50 lb | 27 lb | 7733 | 509.00 |

|                 |            |        |       |      |        |
|-----------------|------------|--------|-------|------|--------|
| TBT-1212-100-SS | B6N-100 kg | 100 lb | 27 lb | 7734 | 509.00 |
| TBT-1212-200-SS | B6N-200 kg | 200 lb | 27 lb | 7735 | 509.00 |

**12" x 14" Platform x 4.25" High**

|                |           |       |       |      |        |
|----------------|-----------|-------|-------|------|--------|
| TBT-1214-15-SS | B6N-15 kg | 15 lb | 30 lb | 7736 | 527.00 |
| TBT-1214-30-SS | B6N-30 kg | 30 lb | 30 lb | 7737 | 527.00 |
| TBT-1214-50-SS | B6N-50 kg | 50 lb | 30 lb | 7738 | 527.00 |

|                 |            |        |       |      |        |
|-----------------|------------|--------|-------|------|--------|
| TBT-1214-100-SS | B6N-100 kg | 100 lb | 30 lb | 7739 | 527.00 |
| TBT-1214-200-SS | B6N-200 kg | 200 lb | 30 lb | 7740 | 527.00 |

**16" x 16" Platform x 4.25" High**

|                |           |       |       |      |        |
|----------------|-----------|-------|-------|------|--------|
| TBT-1616-15-SS | B6N-15 kg | 15 lb | 32 lb | 7741 | 544.00 |
| TBT-1616-30-SS | B6N-30 kg | 30 lb | 32 lb | 7742 | 544.00 |
| TBT-1616-50-SS | B6N-50 kg | 50 lb | 32 lb | 7743 | 544.00 |

|                 |            |        |       |      |        |
|-----------------|------------|--------|-------|------|--------|
| TBT-1616-100-SS | B6N-100 kg | 100 lb | 32 lb | 7744 | 544.00 |
| TBT-1616-300-SS | B6N-200 kg | 200 lb | 32 lb | 7745 | 544.00 |

**18" x 18" Platform x 4.25" High**

|                 |                |        |       |      |        |
|-----------------|----------------|--------|-------|------|--------|
| TBT-1818-100-SS | B6E3-100 kg-SS | 100 lb | 87 lb | 7111 | 671.00 |
| TBT-1818-200-SS | B6E3-200 kg-SS | 200 lb | 87 lb | 7117 | 671.00 |
| TBT-1818-300-SS | B6E3-300 kg-SS | 300 lb | 87 lb | 7118 | 671.00 |

**24" x 24" Platform x 4.25" High**

|                 |            |        |       |      |        |
|-----------------|------------|--------|-------|------|--------|
| TBT-2424-100-SS | B6G-100 kg | 100 lb | 87 lb | 7746 | 935.00 |
| TBT-2424-200-SS | B6G-200 kg | 200 lb | 87 lb | 7747 | 935.00 |
| TBT-2424-250-SS | B6G-250 kg | 250 lb | 87 lb | 7748 | 935.00 |

|                  |            |          |       |      |        |
|------------------|------------|----------|-------|------|--------|
| TBT-2424-300-SS  | B6G-300 kg | 300 lb   | 87 lb | 7342 | 935.00 |
| TBT-2424-500-SS  | B6G-500 kg | 500 lb   | 87 lb | 7749 | 935.00 |
| TBT-2424-1000-SS | B6G-600 kg | 1,000 lb | 87 lb | 7750 | 935.00 |

**Options**

|  |      |      |       |
|--|------|------|-------|
| TBT-1212/1214-SS pole and bracket 8" high  | 4 lb | 7661 | 46.50 |
| TBT-1616/2424-SS pole and bracket 23" high | 4 lb | 7662 | 63.80 |
| TBT-1616/2424-SS pole and bracket 26" high | 4 lb | 7663 | 68.40 |

**Service Parts**

**Foot for 12" x 12" + 12" x 14"**

|                                     |      |      |      |
|-------------------------------------|------|------|------|
| TBT-M10-SPB-SS foot M10, 2 1/8" dia | 1 lb | 7673 | 5.68 |
|-------------------------------------|------|------|------|

**Foot for 16" x 16" + 24" x 24"**

|                                     |      |      |      |
|-------------------------------------|------|------|------|
| TBT-M12-SPB-SS foot M12, 2 3/4" dia | 1 lb | 7660 | 5.80 |
| TBT-M12-PB-MS foot M12, 2 3/4" dia  | 1 lb | 7666 | 5.92 |

Prices are subject to change without notice. Please call for current prices.

Other items are available from the manufacturers, please call for quote.





**TPB-SS Totalcomp, stainless steel base**

Platform aluminum load cell. All **stainless steel** substructure with heavy gauge stainless steel cover. Integral overload protection is provided for both static and dynamic overloads. 2 mv/v, 415/350 ohms, 9 ft 6 conductor cable, IP67  
NTEP Legal for Trade 00-126

| Part Number                            | Load Cell           | Capacity | Weight | SKU  | List      |
|--|---------------------|----------|--------|------|-----------|
| <b>12" x 12" Platform x 4" High</b>    |                     |          |        |      |           |
| TPB-1212-50-SS                         | 1040-50 kg          | 50 lb    | 36 lb  | 3925 | \$ 955.00 |
| <b>18" x 18" Platform x 4" High</b>    |                     |          |        |      |           |
| TPB-1818-150-SS                        | 1040-100 kg         | 150 lb   | 7 lb   | 3933 | 1,215.00  |
| <b>24" x 24" Platform x 5.25" High</b> |                     |          |        |      |           |
| TPB-2424-500-SS                        | 1250-300 kg         | 500 lb   | 120 lb | 3947 | 1,905.00  |
| <b>Service Parts</b>                   |                     |          |        |      |           |
| 912-00003                              | foot 1/4-20 <200 lb |          | 1 lb   | 3285 | 25.70     |
| 912-00005                              | foot >=200 lb       |          | 1 lb   | 3286 | 94.28     |



TPB-1212-50-SS



Internal view  
TPB-1212-50-SS

Base



**TLB Totalcomp, low profile base**

Low profile base. Polished stainless steel cover. Powder coated steel base. Uses Flintec planar beam load cells. Leveling feet are vibration absorbent and anti-skid.  
10" x 10":  
1 mv/v, 0.04% combined error, 390/390 ohms, 10 ft 6 conductor cable, IP65

| Part Number               | Height | Capacity | Cell(s) | Weight | SKU  | List      |
|---------------------------|--------|----------|---------|--------|------|-----------|
| <b>10" x 10" Platform</b> |        |          |         |        |      |           |
| TLB-1010-6                | 1"     | 6 lb     | 3 kg    | 15 lb  | 5701 | \$ 295.00 |



TLB-1010-6

Prices are subject to change without notice. Please call for current prices.

Other items are available from the manufacturers, please call for quote.

13-01 Pollitt Dr Ext  
Fair Lawn NJ 07410  
201-797-2718



www.totalcomp.com  
sales@totalcomp.com  
Fax 201-797-2287

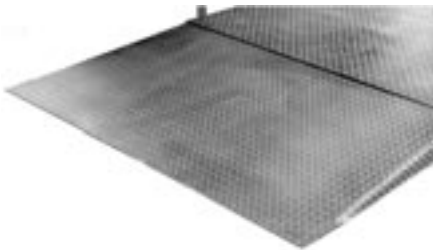
# Base



T4x4-5K-HD



Underside showing load cell and structure



Ramp

## Heavy Duty Totalcomp, floor base

Extra rugged with sturdy deck and channel construction. Checkered safety tread deck. Powder coat finish on sizes up to 48" x 48". Industrial Enamel on sizes over 48" x 48". Load cells are NTEP approved. 20 ft cable to indicator. Optional ramps. Adjustable height, minimum 3.75" to 4.75" maximum height. NTEP Legal for Trade 16-016

| Part Number                              | Size        | Capacity  | Load Cell | Weight | SKU  | List      |
|--|-------------|-----------|-----------|--------|------|-----------|
| T2x2-1K-HD                               | 2' x 2'     | 1,000 lb  | 500 lb    | 95 lb  | 2080 | \$ 795.00 |
| T2x2-2K-HD                               | 2' x 2'     | 2,000 lb  | 1,000 lb  | 95 lb  | 2081 | 795.00    |
| T2x2-3K-HD                               | 2' x 2'     | 3,000 lb  | 1,500 lb  | 95 lb  | 2082 | 795.00    |
| T2x2-5K-HD                               | 2' x 2'     | 5,000 lb  | 2,500 lb  | 95 lb  | 2083 | 795.00    |
| T2.5x2.5-1K-HD                           | 2.5' x 2.5' | 1,000 lb  | 500 lb    | 102 lb | 7857 | 521.00    |
| T2.5x2.5-2K-HD                           | 2.5' x 2.5' | 2,000 lb  | 1,000 lb  | 102 lb | 7858 | 521.00    |
| T3x3-1K-HD                               | 3' x 3'     | 1,000 lb  | 500 lb    | 136 lb | 7859 | 850.00    |
| T3x3-2K-HD                               | 3' x 3'     | 2,000 lb  | 1,000 lb  | 136 lb | 3418 | 850.00    |
| T3x3-3K-HD                               | 3' x 3'     | 3,000 lb  | 1,500 lb  | 136 lb | 4371 | 850.00    |
| T3x3-5K-HD                               | 3' x 3'     | 5,000 lb  | 2,500 lb  | 136 lb | 3419 | 850.00    |
| T4x4-5K-HD                               | 4' x 4'     | 5,000 lb  | 2,500 lb  | 225 lb | 3433 | 950.00    |
| T4x4-10K-HD                              | 4' x 4'     | 10,000 lb | 5,000 lb  | 225 lb | 3434 | 950.00    |
| T4x5-5K-HD                               | 4' x 5'     | 5,000 lb  | 2,500 lb  | 315 lb | 3435 | 1,225.00  |
| T4x5-10K-HD                              | 4' x 5'     | 10,000 lb | 5,000 lb  | 315 lb | 3436 | 1,225.00  |
| T4x6-5K-HD                               | 4' x 6'     | 5,000 lb  | 2,500 lb  | 350 lb | 3437 | 1,325.00  |
| T4x6-10K-HD                              | 4' x 6'     | 10,000 lb | 5,000 lb  | 350 lb | 3438 | 1,325.00  |
| T4x8-10K-HD                              | 4' x 8'     | 10,000 lb | 5,000 lb  | 400 lb | 2084 | 1,725.00  |
| T5x5-5K-HD                               | 5' x 5'     | 5,000 lb  | 2,500 lb  | 345 lb | 3440 | 1,075.00  |
| T5x5-10K-HD                              | 5' x 5'     | 10,000 lb | 5,000 lb  | 345 lb | 3441 | 1,075.00  |
| T5x7-10K-HD                              | 5' x 7'     | 10,000 lb | 5,000 lb  | 445 lb | 3443 | 1,875.00  |
| T5x8-10K-HD                              | 5' x 8'     | 10,000 lb | 5,000 lb  | 385 lb | 2085 | 1,995.00  |
| T6x6-10K-HD                              | 6' x 6'     | 10,000 lb | 5,000 lb  | 445 lb | 3445 | 2,990.00  |
| T7x7-10K-HD                              | 7' x 7'     | 10,000 lb | 5,000 lb  | 525 lb | 2086 | 2,650.00  |
| <b>Options</b>                           |             |           |           |        |      |           |
| 3' x 2' Ramp steel safety tread          |             |           |           | 130 lb | 5716 | 229.00    |
| 4' x 3' Ramp steel safety tread          |             |           |           | 150 lb | 5712 | 329.00    |
| 4' x 4' Ramp steel safety tread          |             |           |           | 175 lb | 5704 | 595.00    |
| 5' x 4' Ramp steel safety tread          |             |           |           | 218 lb | 5726 | 666.00    |
| Factory calibration of indicator to base |             |           |           |        | 4739 | 70.00     |
| <b>Service Parts</b>                     |             |           |           |        |      |           |
| IDS950-4 Summing Junction Box            |             |           |           | 1 lb   | 3942 | 100.00    |
| DBF 1/2-20 beam foot                     |             |           |           | 1 lb   | 2522 | 28.00     |
| TSB-2.5K load cell for 5K base           |             |           | 2,500 lb  | 3 lb   | 2253 | 308.28    |
| TSB-5K-SE load cell for 10K base         |             |           | 5,000 lb  | 3 lb   | 2255 | 308.28    |

Prices for Heavy Duty Floor Scale Bases are FOB Factory



**Heavy duty base Totalcomp, stainless steel**

Sturdy smooth deck construction for heavy usage. Constructed of 304 stainless steel, with stainless steel load cells and a NEMA 4X stainless steel junction box. Optional **stainless steel** ramps. Adjustable height, minimum 3.75" to 4.75" maximum height.

NTEP Legal for Trade 16-016

| Part Number   | Size      | Capacity  | Load Cell | Weight   | SKU  | List        |
|---------------|-----------|-----------|-----------|----------|------|-------------|
| T2x2-1K-SS*   | 2' x 2'   | 1,000 lb  | 500 lb    | 80 lb    | 3384 | \$ 2,924.00 |
| T2x2-2K-SS*   | 2' x 2'   | 2,000 lb  | 1,000 lb  | 80 lb    | 3385 | 2,924.00    |
| T30x30-1K-SS* | 30" x 30" | 1,000 lb  | 500 lb    | 140 lb   | 3386 | 5,194.00    |
| T30x30-2K-SS* | 30" x 30" | 2,000 lb  | 1,000 lb  | 140 lb   | 3387 | 3,568.00    |
| T3x3-2K-SS    | 3' x 3'   | 2,000 lb  | 1,000 lb  | 200 lb   | 3388 | 3,853.00    |
| T3x3-5K-SS    | 3' x 3'   | 5,000 lb  | 2,500 lb  | 120 lb   | 3389 | 1,714.00    |
| T4x4-5K-SS    | 4' x 4'   | 5,000 lb  | 2,500 lb  | 190 lb   | 3390 | 2,256.00    |
| T4x4-10K-SS   | 4' x 4'   | 10,000 lb | 5,000 lb  | 190 lb   | 3391 | 2,256.00    |
| T4x5-5K-SS    | 4' x 5'   | 5,000 lb  | 2,500 lb  | 380 lb   | 3392 | 4,408.00    |
| T4x5-10K-SS   | 4' x 5'   | 10,000 lb | 5,000 lb  | 380 lb   | 3393 | 4,408.00    |
| T4x6-5K-SS *  | 4' x 6'   | 5,000 lb  | 2,500 lb  | 430 lb   | 3394 | 4,587.00    |
| T4x6-10K-SS * | 4' x 6'   | 10,000 lb | 5,000 lb  | 430 lb   | 3395 | 4,587.00    |
| T5x5-5K-SS    | 5' x 5'   | 5,000 lb  | 2,500 lb  | 455 lb   | 3396 | 5,416.00    |
| T5x5-10K-SS   | 5' x 5'   | 10,000 lb | 5,000 lb  | 405 lb   | 3397 | 3,695.00    |
| T5x7-5K-SS *  | 5' x 7'   | 5,000 lb  | 2,500 lb  | 690 lb   | 3398 | 7,661.00    |
| T5x7-10K-SS * | 5' x 7'   | 10,000 lb | 5,000 lb  | 690 lb   | 3399 | 7,661.00    |
| T5x7-20K-SS * | 5' x 7'   | 20,000 lb | 10,000 lb | 1,630 lb | 3400 | 9,991.00    |

\* Not NTEP

**Options**

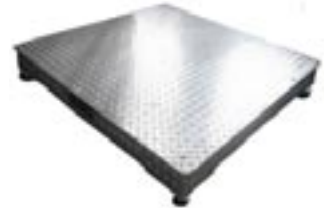
**Ramps, stainless steel**

|             |         |           |  |        |      |          |
|-------------|---------|-----------|--|--------|------|----------|
| TR-22-SS-10 | 2' x 2' | 10,000 lb |  | 65 lb  | 3401 | 1,451.00 |
| TR-33-SS-10 | 3' x 3' | 10,000 lb |  | 125 lb | 3402 | 1,548.00 |
| TR-44-SS-10 | 4' x 4' | 10,000 lb |  | 220 lb | 3404 | 1,812.00 |
| TR-54-SS-10 | 5' x 4' | 10,000 lb |  | 270 lb | 3406 | 2,523.00 |
| TR-54-SS-20 | 5' x 4' | 20,000 lb |  | 475 lb | 3408 | 4,500.00 |

**Service Parts**

|                                     |  |          |  |      |      |        |
|-------------------------------------|--|----------|--|------|------|--------|
| IDS950-4 Summing Junction Box       |  |          |  | 1 lb | 3942 | 100.00 |
| DBF 1/2-20-SS beam foot             |  |          |  | 1 lb | 4313 | 36.00  |
| TSB-2.5K-SS load cell for 5K base   |  | 2,500 lb |  | 3 lb | 2264 | 339.63 |
| TSB-5K-SE-SS load cell for 10K base |  | 5,000 lb |  | 3 lb | 2266 | 339.63 |

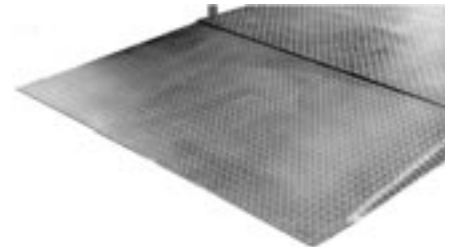
Prices for Heavy Duty Stainless Steel Scale Bases are FOB Factory



**T4x4-5K-SS**  
Stainless steel  
floor scale base



**Bottom view**  
Stainless steel  
floor scale base

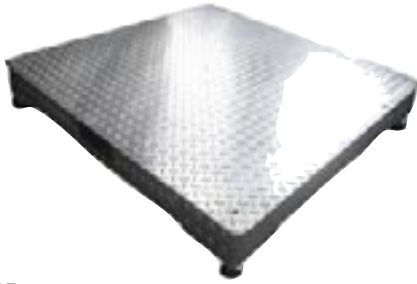
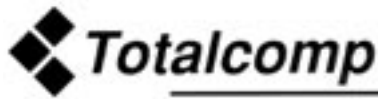


**Ramp**

**Base**

Prices are subject to change without notice. Please call for current prices.

Other items are available from the manufacturers, please call for quote.



**TGB**  
Galvanized Floor Scale Base



**Bottom view**  
Galvanized steel  
floor scale base



**Internal view**  
junction box  
Galvanized base

## Galvanized Totalcomp, floor base

Galvanized floor scale with checkered safety tread plate is a great alternative to stainless steel platforms. Hot-Zinc coating galvanization provides the most effective and economical way of protecting steel against corrosion. Galvanized steel offers a unique combination of properties unmatched by any other material. Hot-Dip galvanizing is a process where the steel is immersed in a tub of molten zinc, resulting in a metallurgically bonded alloy coating that protects the steel from corrosion. Galvanized floor scales are used where moisture and dampness present at the installation site. Our galvanized floor scales are equipped with standard stainless steel hermetically sealed load cells, stainless steel captured ball feet and a stainless steel junction box.

| Part Number | Size    | Capacity  | Load Cell | Weight | SKU  | List        |
|-------------|---------|-----------|-----------|--------|------|-------------|
| TGB-44-5K   | 4' x 4' | 5,000 lb  | 2,500 lb  | 330 lb | 6019 | \$ 1,715.00 |
| TGB-44-10K  | 4' x 4' | 10,000 lb | 10,000 lb | 330 lb | 6020 | 1,715.00    |

### Options

|                         |  |  |  |        |      |        |
|-------------------------|--|--|--|--------|------|--------|
| TGB-44 Ramp, galvanized |  |  |  | 175 lb | 6028 | 629.00 |
|-------------------------|--|--|--|--------|------|--------|

### Service Parts

|                                |  |  |  |      |      |        |
|--------------------------------|--|--|--|------|------|--------|
| DSB-2.5K-SSH load cell         |  |  |  | 4 lb | 7083 | 245.00 |
| DSB-5KSE-SSH load cell         |  |  |  | 4 lb | 7085 | 245.00 |
| DS-JB-4-SS junction box        |  |  |  | 2 lb | 32   | 100.00 |
| CBBF-1/2-20x1-7/8-SS Beam Feet |  |  |  | 1 lb | 4864 | 64.80  |



**Versadeck Polyethylene floor base**

Removable 1" thick polyethylene Butcher Block top. **Stainless Steel** low profile scale base. Junction box is **stainless steel** for washdown protection.

| Part Number  | Size           | Capacity | Weight | SKU  | List        |
|--------------|----------------|----------|--------|------|-------------|
| TV-3030-1-LT | 30" x 30" x 4" | 1,000 lb | 105 lb | 4163 | \$ 4,181.00 |
| TV-3030-2-LT | 30" x 30" x 4" | 2,000 lb | 105 lb | 4164 | 4,181.00    |
| TV-33-1-LT   | 3' x 3' x 4"   | 1,000 lb | 140 lb | 4165 | 5,052.00    |
| TV-33-2-LT   | 3' x 3' x 4"   | 2,000 lb | 140 lb | 4166 | 5,052.00    |
| TV-44-5-LT   | 4' x 4' x 4"   | 5,000 lb | 210 lb | 4167 | 5,506.00    |
| TV-45-5-LT   | 4' x 5' x 4"   | 5,000 lb | 300 lb | 4169 | 5,929.00    |
| TV-45-5-LT   | 4' x 6' x 4"   | 5,000 lb | 325 lb | 4171 | 6,216.00    |
| TV-55-5-LT   | 5' x 5' x 4"   | 5,000 lb | 380 lb | 4173 | 5,929.00    |
| TV-57-5-LT   | 5' x 7' x 4"   | 5,000 lb | 465 lb | 4175 | 7,261.00    |

**Stainless steel ramps (width x length)**

|             |           |           |        |      |          |
|-------------|-----------|-----------|--------|------|----------|
| TR-3030-10R | 30" x 30" | 10,000 lb | 95 lb  | 4177 | 1,548.00 |
| TR-33-10R   | 3' x 3'   | 10,000 lb | 125 lb | 4178 | 1,548.00 |
| TR-44-10R   | 4' x 4'   | 10,000 lb | 220 lb | 4179 | 1,812.00 |
| TR-54-10R   | 5' x 4'   | 10,000 lb | 270 lb | 4180 | 2,523.00 |

Prices for Versadeck polyethylene floor scale bases are FOB Factory



Versadeck polyethylene base

Base



Versadeck polyethylene base  
High pressure hose cleaning

Prices are subject to change without notice. Please call for current prices.

Other items are available from the manufacturers, please call for quote.



**TDB**  
**Portable Drum Scale**

## TDB Totalcomp, portable drum base

TDB platform is made out of industrial weight heavy duty 1/4" checkered thread steel plate baked powder painted. Two built in folding ramps are low enough to get the hand truck on with ease. Lifting handle and built in wheels for easy moving. Platform uses standard (4) 3 mv/v, 350 ohm load cells and stainless steel signal trim summing junction box. For easy leveling, top bubble level is included. Live rail makes the weighing surface even larger than 36". Select an indicator from our line of indicators and we will calibrate for you. Platform 36" x 36", ramps are 10", overall w/ ramps 44" x 56" x 3"H.

| Part Number | Min Height | Capacity | Cell(s)  | Weight | SKU  | List        |
|-------------|------------|----------|----------|--------|------|-------------|
| TDB-1K      | 2.25"      | 1,000 lb | 500 lb   | 148 lb | 5426 | \$ 1,251.70 |
| TDB-2.5K    | 2.25"      | 2,500 lb | 1,000 lb | 148 lb | 5428 | 1,251.70    |
| TDB-5K      | 2.25"      | 5,000 lb | 2,500 lb | 155 lb | 5429 | 1,395.80    |

# Floor Scale Kit



TFK

Floor Kit

## TFK Totalcomp, floor scale kit

Build your own floor scale with quality components. Each floor scale kit includes:  
 1.(4) TSB single ended beam load cells, nickel plated steel, NTEP Legal for Trade  
 2.(4) beam feet, alloy steel  
 3.(1) CSB Compact summing junction box, **stainless steel**  
 4.20 ft 6 conductor cable.

| Part Number | Cell Cap  | Base Cap  | Weight | SKU  | List        |
|-------------|-----------|-----------|--------|------|-------------|
| TFK-250 *   | 250 lb    | 500 lb    | 17 lb  | 3188 | \$ 1,101.00 |
| TFK-500 *   | 500 lb    | 1,000 lb  | 17 lb  | 3189 | 1,101.00    |
| TFK-1K      | 1,000 lb  | 2,000 lb  | 17 lb  | 3190 | 1,101.00    |
| TFK-1.5K    | 1,500 lb  | 3,000 lb  | 17 lb  | 3191 | 1,101.00    |
| TFK-2K      | 2,000 lb  | 4,000 lb  | 17 lb  | 3192 | 1,101.00    |
| TFK-2.5K    | 2,500 lb  | 5,000 lb  | 17 lb  | 3193 | 1,101.00    |
| TFK-4K      | 4,000 lb  | 8,000 lb  | 17 lb  | 3194 | 1,101.00    |
| TFK-5KSE    | 5,000 lb  | 10,000 lb | 17 lb  | 3195 | 1,101.00    |
| TFK-5K      | 5,000 lb  | 10,000 lb | 28 lb  | 3196 | 1,814.00    |
| TFK-10K     | 10,000 lb | 20,000 lb | 28 lb  | 3197 | 1,814.00    |

\* Not NTEP

Prices are subject to change without notice. Please call for current prices.

Other items are available from the manufacturers, please call for quote.

13-01 Pollitt Dr Ext  
 Fair Lawn NJ 07410  
 201-797-2718

**Totalcomp**  
 Components

www.totalcomp.com  
 sales@totalcomp.com  
 Fax 201-797-2287

# Floor Scale Kit



Floor kit

TFK-SS



## TFK-SS Totalcomp, floor scale kit

Build your own floor scale with quality components. Each floor scale kit includes:

- 1.(4) TSB-SS single ended beam load cells, **stainless steel**, NTEP Legal for Trade
- 2.(4) beam feet, **stainless steel**
- 3.(1) CSB Compact summing junction box, **stainless steel**
- 4.20 ft 6 conductor cable.

| Part Number  | Cell Cap  | Base Cap  | Weight | SKU  | List        |
|--------------|-----------|-----------|--------|------|-------------|
| TFK-250-SS * | 250 lb    | 500 lb    | 20 lb  | 3178 | \$ 1,701.00 |
| TFK-500-SS * | 500 lb    | 1,000 lb  | 20 lb  | 3179 | 1,701.00    |
| TFK-1K-SS    | 1,000 lb  | 2,000 lb  | 20 lb  | 3180 | 1,701.00    |
| TFK-1.5K-SS  | 1,500 lb  | 3,000 lb  | 20 lb  | 3181 | 1,701.00    |
| TFK-2K-SS    | 2,000 lb  | 4,000 lb  | 20 lb  | 3182 | 1,701.00    |
| TFK-2.5K-SS  | 2,500 lb  | 5,000 lb  | 20 lb  | 3183 | 1,701.00    |
| TFK-4K-SS    | 4,000 lb  | 8,000 lb  | 20 lb  | 3184 | 1,701.00    |
| TFK-5KSE-SS  | 5,000 lb  | 10,000 lb | 20 lb  | 3185 | 1,701.00    |
| TFK-5K-SS    | 5,000 lb  | 10,000 lb | 32 lb  | 3186 | 2,102.00    |
| TFK-10K-SS   | 10,000 lb | 20,000 lb | 32 lb  | 3187 | 2,102.00    |

\* Not NTEP

Prices are subject to change without notice. Please call for current prices.

Other items are available from the manufacturers, please call for quote.



# Floor Scale Kit



GSFK

Floor Kit

## GSFK General Sensor, floor scale kit

Build your own floor scale with economically priced components. Each floor scale kit includes:

- 1.(4) GSB single ended beam load cells, nickel plated steel, NTEP Legal for Trade
- 2.(4) beam feet, rigid rubber
- 3.(1) GS-JB-4-SS Summing junction box, **stainless steel**
- 4.20 ft 6 conductor cable.

| Part Number | Cell Cap  | Base Cap  | Weight | SKU  | List      |
|-------------|-----------|-----------|--------|------|-----------|
| GSFK-250 *  | 250 lb    | 500 lb    | 17 lb  | 2851 | \$ 982.00 |
| GSFK-500 *  | 500 lb    | 1,000 lb  | 17 lb  | 2852 | 982.00    |
| GSFK-1K     | 1,000 lb  | 2,000 lb  | 17 lb  | 2854 | 982.00    |
| GSFK-1.5K   | 1,500 lb  | 3,000 lb  | 17 lb  | 2855 | 982.00    |
| GSFK-2K     | 2,000 lb  | 4,000 lb  | 17 lb  | 2856 | 982.00    |
| GSFK-2.5K   | 2,500 lb  | 5,000 lb  | 17 lb  | 2857 | 982.00    |
| GSFK-4K     | 4,000 lb  | 8,000 lb  | 17 lb  | 2858 | 982.00    |
| GSFK-5KSE   | 5,000 lb  | 10,000 lb | 17 lb  | 2859 | 982.00    |
| GSFK-5K     | 5,000 lb  | 10,000 lb | 28 lb  | 2860 | 1,424.00  |
| GSFK-10K    | 10,000 lb | 20,000 lb | 28 lb  | 2861 | 1,424.00  |

\* Not NTEP

Prices are subject to change without notice. Please call for current prices.

Other items are available from the manufacturers, please call for quote.

13-01 Pollitt Dr Ext  
Fair Lawn NJ 07410  
201-797-2718

 **Totalcomp**  
Components

www.totalcomp.com  
sales@totalcomp.com  
Fax 201-797-2287

# Tank Scale Kit



TTK3-SS



## TTK-SS Totalcomp, tank scale kit

Make tanks and hoppers into scales with quality components. Each tank scale kit includes components for 3 legs or 4 legs depending on the style of tank or hopper.

### 3 Leg Kit Stainless Steel

- 1.(3) TSB-SS single ended beam load cells, **stainless steel**, NTEP Legal for Trade
- 2.(3) TSWM-SS Spherical Washer mounting assy for single ended beam, **stainless steel**
- 3.(1) CSB Compact summing junction box, **stainless steel**
- 4.20 ft 6 conductor cable.

| Part Number   | Cell Cap  | Base Cap  | Weight | SKU  | List        |
|---------------|-----------|-----------|--------|------|-------------|
| TTK3-250-SS * | 250 lb    | 750 lb    | 52 lb  | 3516 | \$ 2,791.00 |
| TTK3-500-SS * | 500 lb    | 1,500 lb  | 52 lb  | 3517 | 2,791.00    |
| TTK3-1K-SS    | 1,000 lb  | 3,000 lb  | 52 lb  | 3518 | 2,791.00    |
| TTK3-1.5K-SS  | 1,500 lb  | 4,500 lb  | 52 lb  | 3519 | 2,791.00    |
| TTK3-2K-SS    | 2,000 lb  | 6,000 lb  | 52 lb  | 3520 | 2,791.00    |
| TTK3-2.5K-SS  | 2,500 lb  | 7,500 lb  | 52 lb  | 3521 | 2,791.00    |
| TTK3-4K-SS    | 4,000 lb  | 12,000 lb | 52 lb  | 3522 | 2,791.00    |
| TTK3-5K-SE-SS | 5,000 lb  | 15,000 lb | 52 lb  | 3523 | 2,791.00    |
| TTK3-5K-SS    | 5,000 lb  | 15,000 lb | 80 lb  | 3524 | 3,959.00    |
| TTK3-10K-SS   | 10,000 lb | 30,000 lb | 80 lb  | 3525 | 3,959.00    |

\* Not NTEP

Tank kit



TTK4-SS



### 4 Leg Kit Stainless Steel

- 1.(4) TSB-SS single ended beam load cells, **stainless steel**, NTEP Legal for Trade
- 2.(4) TSWM-SS Spherical Washer mounting assy for single ended beam, **stainless steel**
- 3.(1) CSB Compact summing junction box, **stainless steel**
- 4.20 ft 6 conductor cable.

| Part Number   | Cell Cap  | Base Cap  | Weight | SKU  | List        |
|---------------|-----------|-----------|--------|------|-------------|
| TTK4-250-SS * | 250 lb    | 1,000 lb  | 68 lb  | 3526 | \$ 3,627.00 |
| TTK4-500-SS * | 500 lb    | 2,000 lb  | 68 lb  | 3527 | 3,627.00    |
| TTK4-1K-SS    | 1,000 lb  | 4,000 lb  | 68 lb  | 3528 | 3,627.00    |
| TTK4-1.5K-SS  | 1,500 lb  | 6,000 lb  | 68 lb  | 3529 | 3,627.00    |
| TTK4-2K-SS    | 2,000 lb  | 8,000 lb  | 68 lb  | 3530 | 3,627.00    |
| TTK4-2.5K-SS  | 2,500 lb  | 10,000 lb | 68 lb  | 3531 | 3,627.00    |
| TTK4-4K-SS    | 4,000 lb  | 16,000 lb | 68 lb  | 3532 | 3,627.00    |
| TTK4-5K-SE-SS | 5,000 lb  | 20,000 lb | 68 lb  | 3533 | 3,627.00    |
| TTK4-5K-SS    | 5,000 lb  | 20,000 lb | 105 lb | 3534 | 5,185.00    |
| TTK4-10K-SS   | 10,000 lb | 40,000 lb | 105 lb | 3535 | 5,185.00    |

\* Not NTEP

Prices are subject to change without notice. Please call for current prices.

Other items are available from the manufacturers, please call for quote.

## TTK Totalcomp, tank scale kit

Make tanks and hoppers into scales with quality components. Each tank scale kit includes components for 3 legs or 4 legs depending on the style of tank or hopper.

### 3 Leg Kit

- 1.(3) TSB single ended beam load cells, NTEP Legal for Trade
- 2.(3) TSWM Spherical Washer mounting assembly for single ended beam
- 3.(1) CSB Compact summing junction box, **stainless steel**
- 4.20 ft 6 conductor cable.

| Part Number | Cell Cap  | Base Cap  | Weight | SKU  | List        |
|-------------|-----------|-----------|--------|------|-------------|
| TTK3-250 *  | 250 lb    | 750 lb    | 52 lb  | 3536 | \$ 1,898.00 |
| TTK3-500 *  | 500 lb    | 1,500 lb  | 52 lb  | 3537 | 1,898.00    |
| TTK3-1K     | 1,000 lb  | 3,000 lb  | 52 lb  | 3538 | 1,898.00    |
| TTK3-1.5K   | 1,500 lb  | 4,500 lb  | 52 lb  | 3539 | 1,898.00    |
| TTK3-2K     | 2,000 lb  | 6,000 lb  | 52 lb  | 3540 | 1,898.00    |
| TTK3-2.5K   | 2,500 lb  | 7,500 lb  | 52 lb  | 3541 | 1,898.00    |
| TTK3-4K     | 4,000 lb  | 12,000 lb | 52 lb  | 3542 | 1,898.00    |
| TTK3-5KSE   | 5,000 lb  | 15,000 lb | 52 lb  | 3543 | 1,898.00    |
| TTK3-5K     | 5,000 lb  | 15,000 lb | 80 lb  | 3544 | 2,762.00    |
| TTK3-10K    | 10,000 lb | 30,000 lb | 80 lb  | 3545 | 2,762.00    |

\* Not NTEP



TTK3



### 4 Leg Kit

- 1.(4) TSB single ended beam load cells, NTEP Legal for Trade
- 2.(4) TSWM Spherical Washer mounting assembly for single ended beam
- 3.(1) CSB Compact summing junction box, **stainless steel**
- 4.20 ft 6 conductor cable.

| Part Number | Cell Cap  | Base Cap  | Weight | SKU  | List        |
|-------------|-----------|-----------|--------|------|-------------|
| TTK4-250 *  | 250 lb    | 1,000 lb  | 68 lb  | 3546 | \$ 2,436.00 |
| TTK4-500 *  | 500 lb    | 2,000 lb  | 68 lb  | 3547 | 2,436.00    |
| TTK4-1K     | 1,000 lb  | 4,000 lb  | 68 lb  | 3548 | 2,436.00    |
| TTK4-1.5K   | 1,500 lb  | 6,000 lb  | 68 lb  | 3549 | 2,436.00    |
| TTK4-2K     | 2,000 lb  | 8,000 lb  | 68 lb  | 3550 | 2,436.00    |
| TTK4-2.5K   | 2,500 lb  | 10,000 lb | 68 lb  | 3551 | 2,436.00    |
| TTK4-4K     | 4,000 lb  | 16,000 lb | 68 lb  | 3552 | 2,436.00    |
| TTK4-5KSE   | 5,000 lb  | 20,000 lb | 68 lb  | 3553 | 2,436.00    |
| TTK4-5K     | 5,000 lb  | 20,000 lb | 105 lb | 3554 | 3,589.00    |
| TTK4-10K    | 10,000 lb | 40,000 lb | 105 lb | 3555 | 3,589.00    |

\* Not NTEP



TTK4



# Livestock Kit



S3 indicator



XR5000

## S3 Tru-Test, indicator

Easy to use indicator that's rugged, waterproof and fully portable. The high contrast display is clearly visible on the brightest day and the LED backlit screen ensures visibility in failing light or dark sheds. Only two buttons for ON/OFF and ZERO. Bluetooth low energy technology. 12 VDC battery with 15 hours run time and only 6 hours to recharge. IP67

| Part Number                      | Weight | SKU | List      |
|----------------------------------|--------|-----|-----------|
| S3 True Test indicator w/battery | 3 lb   | SKU | \$ 745.19 |

## XR5000 Tru-Test, Indicator

Includes all standard features plus 50,000 individual animal records. Animal history table provides full history including weight, treatment and birth rates. Build customized reports. Multiple data fields for recording additional information. Custom fields provide fast entry of data from preset tables. Keys for ON, OFF, ESCAPE, SETUP, INFO, BACK, ENTER, keypad 0-9, keypad A-Z, space, shift. RS232 output for printer or computer. Internal battery and Low battery warning. 12VDC. IP67.

| Part Number      | Weight | SKU  | List        |
|------------------|--------|------|-------------|
| XR5000 indicator | 5 lb   | 4354 | \$ 3,311.99 |

## Indicator options Tru-Test

AC adapter, software, cable, connectors.

| Part Number                                      | Weight  | SKU  | List     |
|--|---------|------|----------|
| WGC60000P connector w/ resistor for MP-600       | 0.04 lb | 1398 | \$ 83.44 |
| WGC70000P dust cap for load cell cable connector | 0.02 lb | 2946 | 28.00    |
| EKZ31070P dust cap for indicator                 | 0.02 lb | 2948 | 23.64    |

## Load Bars Totalcomp

Set of (2) load bars made for use with any standard strain gauge load cell indicator. Each load bar has built in horizontal checking and unique flex bases to ensure accurate weights in the roughest conditions. Load bars will take 10 times the shock load of shear beam load cells. Each pair of load bars are the electrical equivalent of a 350 ohm bridge load cell. The 2 load bars are interconnected with a cable 8' long. The attached indicator cable is 3' long.

| Part Number               | Size      | Capacity  | Weight | SKU  | List        |
|---------------------------|-----------|-----------|--------|------|-------------|
| <b>Standard load bars</b> |           |           |        |      |             |
| 2500U-22 load bars        | 22" x 4"H | 2,500 lb  | 51 lb  | 3753 | \$ 2,700.00 |
| 5000U-33 load bars        | 33" x 4"H | 5,000 lb  | 70 lb  | 3754 | 3,300.00    |
| 10000U-48 load bars       | 48" x 4"H | 10,000 lb | 120 lb | 3755 | 3,900.00    |

### Options

Custom load bar length

Please call for pricing

Typical calibration configurations

|        |                   |
|--------|-------------------|
| 2500U  | 2,500 lb x 0.5 lb |
| 5000U  | 5,000 lb x 0.5 lb |
| 10000U | 10,000 lb x 1 lb  |



2500U  
Load Bars

## Alleyway Tru-Test, platform

Complete platforms made for use with Tru-Test indicators and MP-600 loadbars.

| Part Number                           | Weight | SKU  | List        |
|---------------------------------------|--------|------|-------------|
| 24" x 7'4" Aluminum Alleyway platform | 70 lb  | 4361 | \$ 1,460.00 |

## MP Tru-Test, multi purpose loadbars

Set of (2) loadbars made for use with Tru-Test indicators. Designed for portability. With a firm and level surface, it's quick and easy to set up this scale. Multi-purpose loadbars come in three sizes: 23", 32" and 39". Coated to resist corrosion.

| Part Number     | Size    | Capacity | Weight | SKU  | List        |
|-----------------|---------|----------|--------|------|-------------|
| MP-600 Loadbars | 23"x4"H | 4,400 lb | 33 lb  | 4364 | \$ 1,386.89 |
| MP-800 Loadbars | 32"x4"H | 6,600 lb | 48 lb  | 4365 | 1,759.49    |



MP  
Load Bars

Prices are subject to change without notice. Please call for current prices.

Other items are available from the manufacturers, please call for quote.

13-01 Pollitt Dr Ext  
Fair Lawn NJ 07410  
201-797-2718

 **Totalcomp**  
Components

www.totalcomp.com  
sales@totalcomp.com  
Fax 201-797-2287



TLI Indicator



TLI Light Tower

## TLI Digital Weighing Indicator

Stainless steel. IP65 housing protected by low pressure jets from all directions. Digital weight indicator. 6 digit, 2" LCD backlit display. Applications for: Simple Weighing, Over/Under, Animal weighing, Counting, Accumulation. Units for: lb, kg, g, oz, lb:oz. 30,000 maximum display divisions. Rechargeable battery provides up to 70 hours of continuous use (without backlit and light tower), charging LED indicator. LED lights for Over/Under and counting function. RS-232 serial port. Optional LED light tower w/ relay board. AC adapter and battery included. NTEP Legal for Trade 13-090

| Part Number                     | Weight | SKU  | List      |
|---------------------------------|--------|------|-----------|
| TLI Indicator w/ adapter        | 10 lb  | 2658 | \$ 348.00 |
| TLI indicator w/ internal power | 10 lb  | 3307 | 348.00    |

### Options

|  |      |      |        |
|--|------|------|--------|
| LED Light Tower w/ relay board                       | 4 lb | 2659 | 205.00 |
| Red light for OVER high setpoint                     |      |      |        |
| Green light for ACCEPT between high & low setpoint   |      |      |        |
| Yellow light for UNDER low setpoint                  |      |      |        |
| 4-20ma, 0-10vdc Analog output board                  | 1 lb | 3023 | 87.12  |
| Requires 10-30vdc external power supply              |      |      |        |
| MDR-20-24 power supply DIN rail mount                | 1 lb | 3712 | 45.70  |
| Input 85-264VAC, Output 24VDC, 1 amp                 |      |      |        |
| SW124-24-N-SC power supply plugs into outlet         | 1 lb | 3713 | 58.00  |
| Input 90-264VAC, Output 24VDC, 1 amp                 |      |      |        |
| <b>Service Parts</b>                                 |      |      |        |
| Load cell connector, 5 pin                           | 1 lb | 6359 | 35.09  |
| Load cell cable 15' w/connector, 5 pin               | 1 lb | 6360 | 59.29  |
| AC adapter for TRWS/TWP/TLI 100-240 VAC to 12 VDC    | 1 lb | 6362 | 28.79  |
| GH645 Rechargeable battery                           | 4 lb | 6114 | 29.00  |
| AC adapter jack TLI                                  | 1 lb | 133  | 16.45  |
| Front overlay and keypad for TLI                     | 1 lb | 3359 | 25.41  |
| Main Board for TLI                                   | 1 lb | 3764 | 271.04 |
| RS232 board w/ cable                                 | 1 lb | 209  | 107.69 |
| 111300011 power transformer for TLI w/internal power | 1 lb | 193  | 35.45  |



## T500E Weight Indicator

Weighing indicator with an extremely small package size. Full duplex RS232 serial port. T500E have ABS plastic enclosure, T500ESS has SS enclosure. All have **stainless steel** swivel stand. 120 VAC adapter is included. 15 ft load cell cable with connector included. NTEP Legal for Trade 96-028

| Part Number                                   | Weight | SKU  | List      |
|---|--------|------|-----------|
| T500E Indicator w/Green LED display           | 4 lb   | 2841 | \$ 282.55 |
| T500ESS Indicator w/Stainless Steel enclosure | 7 lb   | 2842 | 365.00    |

### Service Parts

|   |      |      |        |
|---|------|------|--------|
| AC adapter 120 VAC to 12 VDC 0.5A for T500, T500E switching | 1 lb | 2843 | 31.99  |
| AC adapter 120 VAC to 9 VDC 0.5A for T500E new version      | 1 lb | 2489 | 31.99  |
| AC Power cord for 100-240 VAC adapter                       | 1 lb | 3640 | 24.00  |
| Load cell connector for T500 & T500E                        | 1 lb | 2952 | 29.00  |
| Load cell cable w/connector for T500 & T500E                | 1 lb | 2687 | 60.50  |
| Rear panel load cell connector, flange mount                | 1 lb | 2953 | 29.00  |
| Main board for T500   | 1 lb | 2405 | 180.00 |
| Main board for T500E  | 1 lb | 2406 | 187.00 |
| Main board for T500ESS                                      | 1 lb | 2435 | 230.00 |
| Front overlay for T500                                      | 1 lb | 2339 | 29.00  |
| Front overlay for T500E                                     | 1 lb | 2340 | 29.00  |
| Front overlay for T500ESS                                   | 1 lb | 2341 | 29.00  |



T500E



T500ESS



Prices are subject to change without notice. Please call for current prices.

Other items are available from the manufacturers, please call for quote.

13-01 Pollitt Dr Ext  
Fair Lawn NJ 07410  
201-797-2718

**Totalcomp**  
Components

www.totalcomp.com  
sales@totalcomp.com  
Fax 201-797-2287



TWP Indicator & AC adapter



## TWP Weighing Indicator

ABS plastic enclosure. Digital weight indicator with 6 digit, 0.8" high LCD display with backlit LCD display. 6 mechanical switch keys. Applications for: Check Weighing, Peak Hold, Accumulation, Over/Under, Animal Weighing. Units for: lb, kg, g, oz, tj, hj. Internal counts: 600,000. Rechargeable battery provides up to 35 hours of continuous use. RS232 serial port. 115 VAC, 12V/500mA AC adapter. Max div 30,000. NTEP Legal for Trade 13-091

| Part Number   | Weight | SKU  | List      |
|---------------|--------|------|-----------|
| TWP Indicator | 3 lb   | 2213 | \$ 191.00 |

### Service Parts

|   |      |      |        |
|---|------|------|--------|
| Load cell connector, 5 pin                        | 1 lb | 6359 | 35.09  |
| Load cell cable 15' w/connector, 5 pin            | 1 lb | 6360 | 59.29  |
| Main board for TRWS/TWP                           | 1 lb | 6361 | 154.99 |
| AC adapter for TRWS/TWP/TLI 100-240 VAC to 12 VDC | 1 lb | 6362 | 28.79  |
| Battery for TRWS/TWP                              | 1 lb | 6363 | 51.78  |
| TWP front overlay NTEP Legal for Trade            | 1 lb | 7291 | 24.20  |

### Option

|                      |      |      |        |
|----------------------|------|------|--------|
| Tripod for indicator | 3 lb | 6287 | 118.58 |
|----------------------|------|------|--------|



Tripod





**TRWS Weighing Indicator**

Stainless steel. Digital weight indicator with backlit LCD display. 6 mechanical switch keys. Applications for: Check Weighing, Accumulation, Over/Under, Animal Weighing. Units for: lb, kg, g, oz, tj, hj. Internal counts: 600,000. Rechargeable battery provide up to 35 hours of continuous use. IP65 housing. RS232 serial port. AC adapter. Max div 30,000. NTEP Legal for Trade 13-091

| Part Number                                       | Weight | SKU  | List      |
|---|--------|------|-----------|
| TRWS Indicator                                    | 7 lb   | 7667 | \$ 233.00 |
| <b>Service Parts</b>                              |        |      |           |
| Load cell connector, 5 pin                        | 1 lb   | 6359 | 35.09     |
| Load cell cable 15' w/connector, 5 pin            | 1 lb   | 6360 | 57.29     |
| Main board for TRWS                               | 1 lb   | 6361 | 154.99    |
| AC adapter for TRWS/TWP/TLI 100-240 VAC to 12 VDC | 1 lb   | 6362 | 28.79     |
| Battery for TRWS                                  | 1 lb   | 6363 | 51.78     |
| TRWS front overlay                                | 1 lb   | 7327 | 24.20     |
| <b>Option</b>                                     |        |      |           |
| Tripod for indicator                              | 3 lb   | 6287 | 118.58    |



TRWS



Tripod

Indicators

Prices are subject to change without notice. Please call for current prices.

Other items are available from the manufacturers, please call for quote.



**T7-P**  
**Touch Sreen Indicator**  
**ABS Plastic**



**OS-2130D**  
**Direct Thermal Printer**



**ZoomSun USB**  
**Barcode Scanner**

## T7-P Touch Screen Indicator

ABS plastic enclosure. 6.75" touch screen display. 5 tactile keys for: On/Off, Set up, Home, Tare, Zero. Panel home screen keys for: Class, Take Out, Target, Count, Check, M+, Pre-Tare, Print, Sum. Applications for: Hi/Lo, Unit, Product. Built in applications include: standard weighing, over/under check weighing with bar graph, Take Out, Target, Counting, Class (grading), Hi/Lo applications. Built in Time/Date clock. Indicator has 4 Pre-Tare settings that can be saved and one Pre-Tare setting for custom entry. Store up to 9999 product ID by product name, barcode, Pre-Tare, unit weight in g/pcs or lb/pcs, Hi.Lo level. If product ID has barcode assigned to it using optional barcode scanner, product ID retrievable for fast access. M+ function will add weighment to memory that is retrievable with Sum and transferred to PC using flash drive or printed on paper and then cleared manually. USB port for plug and play ZoomSun barcode scanner and software upload and data download. Standard RS232 port, USB port.

| Part Number    | Weight | SKU  | List      |
|----------------|--------|------|-----------|
| T7-P indicator | 7lb    | 4977 | \$ 753.50 |

### Options

|                                       |      |      |        |
|---------------------------------------|------|------|--------|
| ZoomSun USB barcode scanner           | 2 lb | 4987 | 300.00 |
| OS-2130D Argox direct thermal printer | 2 lb | 1716 | 411.00 |

### Service PartsC

|  |      |      |       |
|--|------|------|-------|
| AC adapter for T7-P 120vac to 12vdc    | 1 lb | 6358 | 26.18 |
| Load cell connector, 5 pin             | 1 lb | 6359 | 35.09 |
| Load cell cable 15' w/connector, 5 pin | 1 lb | 6360 | 59.29 |

# T-Scale

## NS7 Intelligent Indicator

Stainless steel housing IP65. 7" color touch screen display. Keys for: Zero, Tare, Home, Set up, On/Off. Applications for: Check weighing, Counting. PLU product management, 999 each ID storage capacity. Multi weighing units selection. Report management. Print format and customized print format selection. Built in Time/Date clock. Standard RS-232, USB, RJ45 port.  
OIML approved

| Part Number    | Weight | SKU  | List      |
|----------------|--------|------|-----------|
| NS-7 indicator | 8 lb   | 4978 | \$ 932.00 |

### Options

|                                       |      |      |        |
|---------------------------------------|------|------|--------|
| ZoomSun USB barcode scanner           | 2 lb | 4987 | 300.00 |
| OS-2130D Argox direct thermal printer | 2 lb | 1716 | 411.00 |

### Service Parts

|  |      |      |       |
|--|------|------|-------|
| Load cell connector, 5 pin             | 1 lb | 6359 | 35.09 |
| Load cell cable 15' w/connector, 5 pin | 1 lb | 6360 | 59.29 |



NS7 Indicator



OS-2130D  
Direct Thermal Printer



ZoomSun USB  
Barcode Scanner

Prices are subject to change without notice. Please call for current prices.

Other items are available from the manufacturers, please call for quote.

# AND

A&D WEIGHING DIVISION



FS-D

## FS-D Weighing Indicator

Stainless steel housing. Standard and take-away checkweighing. 0.5 sec measurement time. Auto tare function. Negative comparison. Drive up to 4 x 350 ohm load cells. Can be programmed to only the following 8 fixed capacities - 6, 15, 30, 60, 150, 300, 600, 1500 kg. 2 year warranty.

| Part Number    | Weight | SKU  | List        |
|----------------|--------|------|-------------|
| FS-D Indicator | 14 lb  | 4005 | \$ 1,050.00 |

### Options

|                                  |      |      |        |
|----------------------------------|------|------|--------|
| HC-06i Rechargeable battery pack | 5 lb | 6786 | 55.00  |
| FS-03i RS232C & Relay output     | 1 lb | 4008 | 148.00 |

# AND

A&D WEIGHING DIVISION



AD-4322A MKII  
w/ optional printer



## AD-4322A MKII Weighing Indicator

10 key pad for easy tare entry. 100 I.D. code (8 digit) memory information blocks that contain Tare, Comparator limits, running code total weight and number of weighing events for each separate coded item. 50 tare weights can be stored in memory by I.D. number. Full Digital Calibration (FDC) for easy setting of zero and span. Digital linearization function to compensate for non-linearity of load cells. Will switch from lb to kg at the press of a button. Standard 20 ma serial output. Digital filter with four settings for everything from high speed automated weighing to animal weighing. Waterproof keyboard makes this indicator very useful in a variety of environments. Optional built in printer. Panel mount, desk top or wall mount. Twin displays. One display for weight, other for parameter setting, optional time and date. Peak hold circuit, built in comparator, complete RFI protection. NTEP approved Truck Scale program for general applications and Weigh-In, Weigh-Out usage.

S.WA 4315

NTEP Legal for Trade 89-037.

| Part Number                          | Weight | SKU  | List        |
|--------------------------------------|--------|------|-------------|
| AD-4322A MKII-08 Indicator w/printer | 11 lb  | 1680 | \$ 1,770.00 |

### Options

|  |      |      |        |
|--|------|------|--------|
| AD-4322-01A Parallel BCD output TTL levels | 1 lb | 1929 | 399.00 |
| OPT-01 BCD open collector                  | 1 lb | 1575 | 271.00 |
| AD-4322-08 Built in printer                | 1 lb | 1578 | 405.00 |
| AD-4322-10 Panel mount kit                 | 1 lb | 1109 | 129.00 |
| AD-4322-11 Wall mount kit                  | 1 lb | 1110 | 59.00  |

### Service Parts

|   |         |      |        |
|---|---------|------|--------|
| JM:NJC-207-PF load cell connector                   | 1 lb    | 642  | 53.00  |
| JM:NJC-207-RM connector w/flange for rear panel     | 1 lb    | 474  | 20.00  |
| WP:PP129-28A Thermal paper for printer, pack of (5) | 1 lb    | 1750 | 27.00  |
| PZ:2082 main board for AD4322A MKII                 | 0.56 lb | 1552 | 909.00 |

Prices are subject to change without notice. Please call for current prices.

Other items are available from the manufacturers, please call for quote.



A&D WEIGHING DIVISION

**AD-4323 Digital Weighing Indicator**

Includes all the latest improvements to be a successor to the reliable AD4316. Standard functions are 17 updates/second, full RFI protection, digital filtering, DIN panel cutout, full digital calibration, no pots, set point interface, serial current loop output.

S.WA 4298

NTEP Legal for Trade 88-095.

| Part Number                | Weight | SKU | List |
|----------------------------|--------|-----|------|
| <b>Service Parts only.</b> |        |     |      |

**Field installable options**

|   |      |      |           |
|---|------|------|-----------|
| AD-4324-04 Serial output RS232C/20ma loop | 1 lb | 1445 | \$ 259.00 |
|---|------|------|-----------|

**Service Parts**

|                                   |      |     |        |
|-----------------------------------|------|-----|--------|
| JM:NJC-207-PF load cell connector | 1 lb | 642 | 53.00  |
| 01:A34806 keysheet overlay        | 1 lb | 678 | 32.00  |
| 32.00PZ:2077 A/D converter board  | 1 lb | 688 | 423.00 |



AD-4323



A&D WEIGHING DIVISION

**AD-4328 Digital Weighing Indicator**

A low cost, general purpose Weighing Indicator. Full digital calibration. Mount on panel or desktop. Comparator function and optional relay/transistor output. HI/GO/LO comparator and simple weighing-in comparator can be selected. Bright red LED display. Front panel is splashproof, equivalent to IP65. Includes 120VAC adapter.

Canadian AM-5252

NTEP Legal for Trade 99-074

| Part Number              | Weight | SKU | List      |
|--------------------------|--------|-----|-----------|
| AD-4328 Weight Indicator | 8 lb   | 207 | \$ 635.00 |

**Options**

|   |      |     |        |
|---|------|-----|--------|
| 4328-01 BCD output open collector                 | 1 lb | 222 | 245.00 |
| 4328-02 Comparator outputs open collector         | 1 lb | 228 | 85.00  |
| 4328-03 RS-422/485 Serial interface w/comp output | 1 lb | 229 | 235.00 |
| 4328-10 Indicator stand                           | 1 lb | 262 | 75.00  |

**Service Parts**

|                       |      |      |       |
|-----------------------|------|------|-------|
| TB:622 Adapter 120VAC | 1 lb | 1305 | 45.00 |
|-----------------------|------|------|-------|



AD-4328

Indicators

Prices are subject to change without notice. Please call for current prices.

Other items are available from the manufacturers, please call for quote.

13-01 Pollitt Dr Ext  
Fair Lawn NJ 07410  
201-797-2718



www.totalcomp.com  
sales@totalcomp.com  
Fax 201-797-2287

# AND

A&D WEIGHING DIVISION



AD-4329A



## AD-4329A Weighing Indicator

Triple ranges on weighing capacities. Standard RS232 and 20 ma current loop serial output. 4-point digital linearization across the full span. Standard accessories included: 2m cable for 120 VAC, load cell connector, capacity sticker, external input plug, (4) rubber feet, current loop output plug.

NTEP Legal for Trade 03-046

| Part Number        | Weight | SKU | List      |
|--------------------|--------|-----|-----------|
| AD-4329A Indicator | 8 lb   | 613 | \$ 850.00 |

### Options

|  |      |     |        |
|--|------|-----|--------|
| AD-4329A-01 BCD output replaces standard RS232 | 1 lb | 614 | 280.00 |
|--|------|-----|--------|

### Service Parts

|                                    |      |     |        |
|------------------------------------|------|-----|--------|
| JM:NJC-207-PF load cell connector  | 1 lb | 642 | 55.00  |
| RS232 and 20ma output for AD-4329A | 1 lb | 769 | 195.00 |

# AND

A&D WEIGHING DIVISION



AD-4402

## AD-4402 Batching/Network Weighing Indicator

Multiple sequences & functions for filling, mixing, timing functions can be pre-programmed in this unit. Stores 100 sets of ingredient data, 100 sets of recipe codes. Select from 50 functions for each of 11 control inputs and 11 control outputs. 100 times per second high speed sampling. Compact DIN table or panel mounting. Standard RS485 communication for up to 32 units. Option cards for CC Link, Device Net & Profibus.

| Part Number                        | Weight | SKU  | List        |
|------------------------------------|--------|------|-------------|
| AD-4402 Batching Network Indicator | 5 lb   | 5521 | \$ 2,380.00 |

### Options

|   |      |      |        |
|---|------|------|--------|
| AD-4402-01 Parallel BCD output-open collector | 1 lb | 5522 | 496.00 |
| AD-4402-02 Relay output                       | 1 lb | 5523 | 496.00 |
| AD-4402-03 RS422/485 serial output            | 1 lb | 5524 | 496.00 |

|                                 |      |      |        |
|---------------------------------|------|------|--------|
| AD-4402-04 RS232 serial output  | 1 lb | 5525 | 496.00 |
| AD-4402-05 Parallel I/O         | 1 lb | 5526 | 496.00 |
| AD-4402-07 Analog 4-20ma output | 1 lb | 5527 | 640.00 |

|                                 |      |      |          |
|---------------------------------|------|------|----------|
| AD-4402-20 CC link interface    | 1 lb | 5528 | 860.00   |
| AD-4402-21 Device Net interface | 1 lb | 5529 | 1,280.00 |

### Service Parts

|   |         |      |        |
|---|---------|------|--------|
| PZ-5590 main board for AD-4402 SN after N1205412    | 0.31 lb | 5567 | 490.00 |
| PZ:5591 display board for AD-4402 SN after N1205412 | 0.21 lb | 5568 | 293.00 |



A&D WEIGHING DIVISION

## AD-4401 Batch Weighing Indicator

Fuzzy Logic and Automatic Free Fall Compensation. Enter setpoints through front keys or external thumbwheels. Hold and Peak Hold functions. Weigh-In and Loss-in-Weight batching. Check Weighing.

Assign up to 6 input functions from a selection of 14,

Programmable "F" function key on the front key pad of the AD-4401 may be programmed for special operation,

| Part Number                       | Weight | SKU  | List        |
|-----------------------------------|--------|------|-------------|
| AD-4401A Batch Weighing Indicator | 4 lb   | 4083 | \$ 1,600.00 |

### Options

|   |      |      |          |
|---|------|------|----------|
| AD-4401-01 Parallel BCD output open collector | 1 lb | 4084 | 335.00   |
| AD-4401-03 RS422/485 serial output            | 1 lb | 4085 | 310.00   |
| AD-4401-04 RS232C serial output               | 1 lb | 4086 | 284.00   |
| AD-4401-05 Setpoint Unit                      | 1 lb | 4087 | 1,140.00 |
| AD-4401-07 Analog output 4-20 ma              | 1 lb | 4088 | 455.00   |

### Service Parts

|                                    |         |      |       |
|------------------------------------|---------|------|-------|
| Jl:361J016-AG 16 pin I/O connector | 0.03 lb | 4081 | 22.22 |
| Jl:360C016-B 16 pin connector kit  | 0.02 lb | 4082 | 22.22 |



AD-4401A



A&D WEIGHING DIVISION

## AD-4405A Weighing Indicator

A general purpose Weighing Indicator. 1/40,000 display resolution. Mount on table, wall or desktop. Bright blue VFD display. Front panel is waterproof, protected to IP65. RS232 standard. Counting mode. Digital linearization. Accumulator with auto or manual entry. Optional relay outputs or 4-20ma analog output. 3 input signals for external control, input signal can be selected from zero, tare, mode, net/gross, print, M+. NTEP 04-034 III/IIIL 10,000 div.

| Part Number                 | Weight | SKU  | List      |
|-----------------------------|--------|------|-----------|
| AD-4405A Weighing Indicator | 6 lb   | 6141 | \$ 700.00 |

### Options

|  |      |      |        |
|--|------|------|--------|
| AD-4405-03 RS422/485/Relays (replaces std RS232) | 1 lb | 6142 | 310.00 |
| AD-4405-05 RS232 w/Relays (replaces std RS232)   | 1 lb | 6143 | 260.00 |



AD-4405



Prices are subject to change without notice. Please call for current prices.

Other items are available from the manufacturers, please call for quote.

13-01 Pollitt Dr Ext  
Fair Lawn NJ 07410  
201-797-2718

**Totalcomp**  
Components

www.totalcomp.com  
sales@totalcomp.com  
Fax 201-797-2287

# A&D

A&D WEIGHING DIVISION



AD-4407A



## AD-4407A Weighing Indicator

Stainless steel washdown industrial enclosure. 1/40,000 display resolution. Mount on table, wall or desktop. Bright blue VFD display. Front panel is waterproof, protected to IP65. RS232 standard. Counting mode. Digital linearization. Accumulator with auto or manual entry. Optional relay outputs or 4-20ma analog output.

NTEP Legal for Trade 04-034

| Part Number                               | Weight | SKU  | List      |
|---|--------|------|-----------|
| AD-4407A Weighing Indicator, SS, 0-9 keys | 8 lb   | 6150 | \$ 880.00 |

### Options

|   |      |      |        |
|---|------|------|--------|
| AD-4407-03 RS422/485/Relays (replaces std RS232)      | 1 lb | 6151 | 330.00 |
| AD-4407-05 RS232 w/Relays (replaces std RS232)        | 1 lb | 6152 | 270.00 |
| AD-4407-07 Analog output 4-20 ma (replaces std RS232) | 1 lb | 6153 | 500.00 |

# A&D

A&D WEIGHING DIVISION



AD-5000



## AD-5000 Programmable Weighing Indicator

Options and service parts only for the AD-5000, NTEP Legal for Trade 95-040.

| Part Number                            | Weight | SKU  | List     |
|--|--------|------|----------|
| AD-5000-IR Input relay for AD-5000-255 | 1 lb   | 2891 | \$ 65.60 |





A&D WEIGHING DIVISION

**AD-4406 Weighing Indicator**

A general purpose Weighing Indicator. 1/40,000 display resolution. Mount on table, wall or desktop. Large 1" high LCD display. Front panel is waterproof, protected to IP65. Counting mode. Digital linearization. RS232 standard. Accumulator with auto or manual entry. Optional relay outputs or 4-20ma analog output. 3 input signals for external control. NTEP Legal for Trade 04-034.

| Part Number                | Weight | SKU  | List      |
|----------------------------|--------|------|-----------|
| AD-4406 Weighing Indicator | 6 lb   | 6146 | \$ 520.00 |

**Options**

|  |      |      |        |
|--|------|------|--------|
| AD-4406-03 RS422/485/Relays solid state AC output<br>Replaces standard RS232 | 1 lb | 6147 | 325.00 |
| AD-4406-05 RS232 w/Relays solid state AC output<br>Replaces standard RS232   | 1 lb | 6148 | 275.00 |
| AD-4406-07* Analog output 4-20 ma (replaces std RS232)                       | 1 lb | 6149 | 490.00 |

\* Analog output card comes with its own AC adapter. When the analog output card is installed, (2) AC adapter will be used, one for the basic indicator and one for the analog output.



AD-4406



A&D WEIGHING DIVISION

**AD-4321 Weighing Indicator**

Service parts only for AD-4321 indicator.

| Part Number | Weight | SKU | List |
|-------------|--------|-----|------|
|-------------|--------|-----|------|

**Service Parts**

|   |      |      |           |
|---|------|------|-----------|
| 01 Parallel BCD output TTL level                | 1 lb | 1016 | \$ 199.00 |
| 08:A47486 capacity tag                          | 1 lb | 64   | 6.60      |
| JM:NJC-207-PF load cell connector               | 1 lb | 642  | 53.00     |
| JM:NJC-207-RM connector w/flange for rear panel | 1 lb | 474  | 20.00     |



AD-4321

Indicators



A&D WEIGHING DIVISION

**AD-4325A Batch Weighing Indicator**

Options only for AD-4325A indicator..

| Part Number | Weight | SKU | List |
|-------------|--------|-----|------|
|-------------|--------|-----|------|

**Options**

|   |      |      |           |
|---|------|------|-----------|
| AD-4342-04 Serial output/RS232, 20mA loop | 1 lb | 1445 | \$ 259.00 |
| AD-4325-02 Relay output                   | 2 lb | 1037 | 488.00    |



AD-4325A

Prices are subject to change without notice. Please call for current prices.

Other items are available from the manufacturers, please call for quote.

13-01 Pollitt Dr Ext  
Fair Lawn NJ 07410  
201-797-2718

**Totalcomp**  
Components

www.totalcomp.com  
sales@totalcomp.com  
Fax 201-797-2287



190 Storm  
Weight Indicator



## 190 & 190DC Storm Weight Indicator

High temp, high pressure washdown indicator. The 190 storm high impact indicator is perfect for food processing, chemical industry, pharmaceutical, and almost any harsh application environment. Thermoplastic IP69K wall or desktop mount. Unique capacitive touch keys, the keypad senses the operators finger from inside of the enclosure. Red status lamps provide a visual indication of key-presses. Colorzone checkweighing changes color automatically as the pre-assigned target weights are reached.

NTEP Legal for Trade 10-084

Canada AM-5804

OIML pending

| Part Number                                  | Weight | SKU  | List      |
|--|--------|------|-----------|
| 190 Storm indicator AC Version               | 10 lb  | 7035 | \$ 820.00 |
| 190DC Storm indicator, includes battery pack | 11 lb  | 7037 | 820.00    |

### Options

|                                |      |      |        |
|--------------------------------|------|------|--------|
| BP190 Lithium ion battery pack | 1 lb | 7036 | 250.00 |
| PS190 AC adapter               | 1 lb | 7038 | 130.00 |

### Select one of the following cables for the AC adapter.

|                          |      |      |       |
|--------------------------|------|------|-------|
| 190DC6 power cable 6ft   | 3 lb | 7039 | 50.00 |
| 190DC12 power cable 12ft | 6 lb | 7040 | 70.00 |
| 190DC18 power cable 18ft | 9 lb | 7041 | 80.00 |

### Service Parts

|                                  |         |      |       |
|----------------------------------|---------|------|-------|
| 8400-D010-08 enclosure front 190 | 0.66 lb | 7112 | 32.00 |
| 8400-D012-08 enclosure rear 190  | 0.64 lb | 7113 | 30.25 |



## 185B Weighing Indicator

ABS plastic enclosure IP66 for harsh environments. Versatile mounting bracket for wall or desktop. 1" highly visible LCD w/green backlight. Easy operation, 6 key keypad. On demand serial data. Continuous serial data. Serial connectivity for Output to One Label/Ticket Printer or PC. Cardinal Control Ticket/Label Printing Configuration. Remote display/keypad for other Cardinal indicators.  
 NTEP Legal for Trade 18-075  
 Canada: AM-6109  
 OIML: R-76/2006-A-DK2-18.04

| Part Number    | Weight | SKU  | List      |
|----------------|--------|------|-----------|
| 185B Indicator | 3.4 lb | 2097 | \$ 590.00 |



185B  
Weight Indicator



## 200 Weight Indicator

Panel mount digital weight indicator. Mounts to panel with side slides. Wiring connections are to screw terminals which have as a service feature a plug in terminal block. 3/16 DIN panel mount cutout. (2) RS232 serial ports. Aluminum housing.  
 120 VAC.  
 NTEP Legal for Trade 01-011 .  
 Canada AM 5397

| Part Number                | Weight | SKU  | List        |
|----------------------------|--------|------|-------------|
| 200 Indicator, panel mount | 7 lb   | 5265 | \$ 1,010.00 |

| Options               | Weight | SKU  | List   |
|-----------------------|--------|------|--------|
| 2XX-DAC 4-20ma output | 1 lb   | 3177 | 380.00 |



200  
Indicator  
Panel mount



Indicators

Prices are subject to change without notice. Please call for current prices.

Other items are available from the manufacturers, please call for quote.

13-01 Pollitt Dr Ext  
 Fair Lawn NJ 07410  
 201-797-2718



www.totalcomp.com  
 sales@totalcomp.com  
 Fax 201-797-2287

# Indicators



204  
Indicator  
Stainless Steel



## 204 Weight Indicator

Service parts only for 204 weight indicator.  
NTEP Legal for Trade 02-016

| Part Number                           | Weight  | SKU  | List     |
|---------------------------------------|---------|------|----------|
| <b>Service Parts</b>                  |         |      |          |
| 6800-1045 AC adapter                  | 1 lb    | 5069 | \$ 88.25 |
| 8555-D302-08 keypad for 204 indicator | 0.16 lb | 5184 | 117.50   |
| 8555-B510-08 rubber ball              | 1 lb    | 5210 | 6.75     |



210FE  
Indicator  
Fiberglass



## 210FE Weight Indicator

Digital weight indicator. Gross, tare, net selection. Units are lb, lb-oz, oz, T, kg, g, t, custom. Numeric keypad, piece count, checkweighing, (3) preset weight comparators, time/date in 12 or 24 hour format. (2) RS232 serial ports. Fiberglass enclosure. 120 VAC. NTEP Legal for Trade 01-011

| Part Number     | Weight | SKU  | List        |
|-----------------|--------|------|-------------|
| 210FE Indicator | 7 lb   | 5270 | \$ 2,210.00 |



225 Navigator  
Digital Weight Indicator



## 225 Navigator Digital Weight Indicator

Stainless steel. Full alpha keypad. 200 ID's with cross reference. 240 x 64 pixel monochrome graphics LCD with white LED backlight. Infrared Data Port allows remote operation with special software on a pocket PC. Multi-point calibration. Adjustable filtering. Consecutive numbering. Multi-interval. Multi-reports. Digital fill control. Electronic tally roll. 16 preset weight comparators. Units lb, kg, tn, t, g, oz, custom. Piece count. Checkweigher. 230 VAC. NTEP Legal for Trade 01-011

| Part Number   | Weight | SKU  | List        |
|---------------|--------|------|-------------|
| 225 Indicator | 8 lb   | 3198 | \$ 1,795.00 |

| Service Parts       | Weight | SKU  | List   |
|---------------------|--------|------|--------|
| 8200-D360-08 keypad | 1 lb   | 3200 | 158.75 |

Prices are subject to change without

Other items are available from the manufacturers, please call for quote.



## 205 Weight Indicator

Digital weight indicator. Units are lb, lb-oz, oz, T, kg, g, t, custom. Auto shut off and sleep modes, push button tare, gross, tare, net selection, accumulator, gross and net, adjustable filtering, selectable lock out, four input lines. (2) RS232 serial ports. Stainless steel enclosure. 120 VAC.

NTEP Legal for Trade 01-011

| Part Number   | Weight | SKU  | List      |
|---------------|--------|------|-----------|
| 205 Indicator | 12 lb  | 5268 | \$ 800.00 |

### Options

|                           |      |      |        |
|---------------------------|------|------|--------|
| 2xx-DAC 4-20 ma output    | 1 lb | 3177 | 380.00 |
| RB3 Relay box w/ 3 relays | 1 lb | 3509 | 260.00 |
| RB9 Relay box w/ 9 relays | 1 lb | 3594 | 470.00 |

|                           |      |      |        |
|---------------------------|------|------|--------|
| 2XX-IP Serial to Ethernet | 1 lb | 7001 | 430.00 |
| 2XX-Panel mount kit       | 1 lb | 7002 | 121.00 |
| 2XX-BAT kit for 205 210   | 1 lb | 7004 | 77.00  |

### Service Parts

|                              |         |      |        |
|------------------------------|---------|------|--------|
| 6800-1032 power supply 15VDC | 0.21 lb | 4583 | 112.00 |
| 8200-D124-0A mainboard       | 1 lb    | 4584 | 561.00 |
| 8200-D100-08 Keypad          | 1 lb    | 4585 | 108.25 |

|                                |         |      |       |
|--------------------------------|---------|------|-------|
| 6540-1053 enclosure knob 10-32 | 0.02 lb | 4889 | 13.75 |
|--------------------------------|---------|------|-------|



**205**  
Indicator



## 210 Weight Indicator

Digital weight indicator. Gross, tare, net selection. Units are lb, lb-oz, oz, T, kg, g, t, custom. Auto shutoff and sleep modes. Push button tare. Gross, tare, net conversions. Adjustable filtering. Selectable key lockout. Four input lines. Numeric keypad, piece count, checkweighing, (3) preset weight comparators, time/date in 12 or 24 hour format. (2) RS232 serial ports. Stainless steel enclosure. 120 VAC.

NTEP Legal for Trade 01-011

| Part Number                | Weight | SKU  | List        |
|----------------------------|--------|------|-------------|
| 210 Indicator, panel mount | 12 lb  | 5269 | \$ 1,040.00 |

### Options

|                           |      |      |        |
|---------------------------|------|------|--------|
| Analog output             | 1 lb | 3177 | 380.00 |
| RB3 Relay box w/ 3 relays | 1 lb | 3509 | 260.00 |
| RB9 Relay box w/ 9 relays | 1 lb | 3594 | 470.00 |

|                           |      |      |        |
|---------------------------|------|------|--------|
| 2XX-IP Serial to Ethernet | 1 lb | 7001 | 430.00 |
| 2XX-Panel mount kit       | 1 lb | 7002 | 121.00 |
| 2XX-BAT kit for 210       | 1 lb | 7004 | 77.00  |

### Service Parts

|                                |      |      |        |
|--------------------------------|------|------|--------|
| 8200-D124-1A Mainboard for 210 | 1 lb | 3201 | 546.75 |
| 8200-D202-08 Keypad for 210    | 1 lb | 3202 | 108.25 |



**210**  
Indicator

Prices are subject to change without notice. Please call for current prices.

Other items are available from the manufacturers, please call for quote.

13-01 Pollitt Dr Ext  
Fair Lawn NJ 07410  
201-797-2718

 **Totalcomp**  
Components

www.totalcomp.com  
sales@totalcomp.com  
Fax 201-797-2287



UMC555



## UMC555 Digital Weight Indicator

Spare parts only for UMC555 indicators.

| Part Number                 | Weight | SKU | List     |
|-----------------------------|--------|-----|----------|
| <b>Service Parts</b>        |        |     |          |
| KHY7237B Front panel UMC555 | 1 lb   | 578 | \$ 51.60 |



UMC600



## UMC600 Digital Weight Indicator

Service Parts Only for UMC600 indicators.

NTEP Legal for Trade 00-004

| Part Number  | Weight | SKU  | List     |
|--|--------|------|----------|
| <b>Options</b>   |        |      |          |
| KBT7116-5 Panel mounting kit   | 1 lb   | 594  | \$ 83.30 |
| KBT7116-13 RS422/RS485 output  | 1 lb   | 531  | 350.00   |
| KBT7116-11 Solid State Relay option board AC only<br>20VAC to 120VAC, 5ma to 1 amp       | 1 lb   | 1595 | 491.00   |
| KBT7116-12 Dry Contact Relay option board DC only<br>100VDC max, 0.5 amps max, 10 VA max | 1 lb   | 1475 | 416.00   |
| KBT7116-17 Analog output chips 0-10VDC or 4-20ma<br>Requires KBT7116-16                  | 1 lb   | 3997 | 491.00   |
| KBD7431A Solid state relay   | 1 lb   | 2439 | 50.00    |
| <b>Service Parts</b>   |        |      |          |
| MS3106A-14S-6S load cell connector 6 sockets w/collar                                    | 1 lb   | 1070 | 23.40    |
| KGV8924-2 display assembly LED   | 1 lb   | 243  | 483.00   |
| KTK7237A front panel overlay UMC612  | 1 lb   | 238  | 51.60    |



## CI-2001 Weight Indicator

Weighing indicator with an extremely small package size. Full duplex RS232 serial port. ABS plastic enclosure and optional stainless steel enclosure. **Stainless Steel** swivel stand. 120 VAC adapter is included.

Canadian AM 5269

NTEP Legal for Trade 98-103

| Part Number                            | Weight | SKU  | List      |
|--|--------|------|-----------|
| <b>ABS case</b>                        |        |      |           |
| CI-2001A Indicator w/red LED display   | 4 lb   | 3669 | \$ 245.00 |
| CI-2001B Indicator w/green LCD display | 4 lb   | 3670 | 245.00    |

### Stainless Steel case

|   |      |      |        |
|---|------|------|--------|
| CI-2001AS Indicator w/red LED display   | 6 lb | 3859 | 309.00 |
| CI-2001BS Indicator w/green LCD display | 6 lb | 917  | 309.00 |

### Options

|   |      |      |           |
|---|------|------|-----------|
| CA01-12A-0102 Eprom for CI-2001A for Canada   | 1 lb | 3012 | No Charge |
| CA01-12AS-0102 Eprom for CI-2001AS for Canada | 1 lb | 6198 | No Charge |
| CA01-12B-0102 Eprom for CI-2001B for Canada   | 1 lb | 3427 | No Charge |

Note: The above Eproms will comply with Canadian Weights & Measures.

The push button ZERO will only work when less than 4% of capacity.

### Service Parts

|                                  |      |      |       |
|----------------------------------|------|------|-------|
| AC adapter 120 VAC to 12 VDC     | 1 lb | 3862 | 34.30 |
| WI11 Load cell connector         | 1 lb | 3863 | 14.30 |
| KI11 Front overlay for CI-2001A  | 1 lb | 3864 | 10.00 |
| Front overlay for CI-2001B       | 1 lb | 3865 | 10.00 |
| KI21 Front overlay for CI-2001AS | 1 lb | 3866 | 10.00 |



CI-2001A



CI-2001AS

Prices are subject to change without notice. Please call for current prices.

Other items are available from the manufacturers, please call for quote.



CI-200A



CI-200SC



## CI-200 Cas indicators

**CI-200A:** Nema 12 plastic enclosure. Numeric keypad. Units: lb/kg. Accumulation mode. Keyboard tare. Password protected. Hi/lo alarm. Multi-point calibration. Time and date. Weight back-up. Dual range capabilities.

**CI-201A:** Nema 12 plastic enclosure. Numeric keypad. Units: lb/kg. Accumulation, Counting, Percent modes. Keyboard tare. Password protected. Hi/lo alarm. Multi-point calibration. Time and date. Weight back-up. Dual range capabilities.

**CI-201A-DB:** Nema 12 plastic enclosure. Numeric keypad. Units: lb/kg. Keyboard tare. Password protected. Hi/lo alarm. Multi-point calibration. Time and date. Weight back-up. Dual range capabilities.

**CI-200SC:** Stainless steel 304 IP67 enclosure. Numeric keypad. Units: lb/kg. Keyboard tare. Password protected. Hi/lo alarm. Multi-point calibration. Time and date. Weight back-up. Dual range capabilities. NTEP Legal for Trade 11-026

| Part Number                                     | Weight  | SKU  | List      |
|---|---------|------|-----------|
| CI-200A w/ LED display, AC/Rechargeable battery | 4 lb    | 6704 | \$ 365.00 |
| CI-201A w/ LCD display, AC/Rechargeable battery | 4 lb    | 6705 | 365.00    |
| CI-201A-DB w/ LED display, AC/Dry battery       | 4 lb    | 6706 | 405.00    |
| CI-200SC w/ LED display, AC/Dry battery         | 6 lb    | 6709 | 595.00    |
| <b>Service Parts</b>                            |         |      |           |
| YI61 adapter 100-240v to 12v for CI-201A        | 0.29 lb | 6772 | 42.85     |



2200  
Process and Batch Indicator



## 2200 Process and batch Indicators

Flexibility, simplicity and easy to use saving you time and money. Full function keypad allows for simple entry of digital tare, time and date, accumulator eight product ID's, eight setpoint outputs. Start, stop and pause batching processes with color coded Start and Stop keys. Standard software features such as programmable data communication, multiple ID numbers, accumulator, counter and learning preacts. Configure batching routines of up to 100 steps incorporating 35 commands with Point and Click, with the free Windows based Dimension Software. Two standard RS-232 ports. Two year parts and labor warranty. 6"H x 10"W x 3"D. NTEP Legal for Trade 06-101

| Part Number              | Weight | SKU  | List      |
|--------------------------|--------|------|-----------|
| 2200 indicator           | 9 lb   | 7207 | \$ 850.00 |
| <b>Service Parts</b>     |        |      |           |
| SUB0635 Touch panel 2200 | 1 lb   | 1017 | 130.00    |





## X320 Washdown Indicator

Manufactured with high tech composite alloy. Highest environmental rating IP69K/68. Impact resistant. Encapsulated components. Capacitive keyboard technology: knife, scissor and sharp tool proof. Checkweighing annunciators. Lb/oz/g unit switchable or fixed lb/oz/kg/g/ton.

NTEP Legal for Trade 11-050

| Part Number   | Weight | SKU  | List      |
|---|--------|------|-----------|
| CAS-X320-WM Washdown Indicator w/ wall/desk mount<br>90-240 VAC | 5 lb   | 6714 | \$ 798.00 |
| CAS-X320B Washdown Indicator w/ battery/wall mount              | 6 lb   | 6715 | 1,009.00  |

### Options

|                                |      |      |        |
|--------------------------------|------|------|--------|
| C0080 RS232 to RS485 converter | 1 lb | 6716 | 135.00 |
| C0081 20mA converter           | 1 lb | 6717 | 85.00  |
| A10012 cable, serial link, USB | 1 lb | 6718 | 69.00  |

|  |      |      |        |
|--|------|------|--------|
| C0200 Bluetooth serial adapter single master end     | 1 lb | 6719 | 295.00 |
| C0201 Bluetooth serial adapter single slave end      | 1 lb | 6720 | 269.00 |
| C0202 Bluetooth serial adapter multi-roam master end | 1 lb | 6721 | 269.00 |
| C0203 Bluetooth serial adapter multi-roam slave end  | 1 lb | 6722 | 269.00 |

### Service Parts

|                             |      |      |        |
|-----------------------------|------|------|--------|
| 780113 AC adapter 90-240VAC | 1 lb | 4976 | 166.00 |
|-----------------------------|------|------|--------|



X320



## 4300M Over-Accept-Under Weighing Indicator

Over-Accept-Under Weighing Indicator. U bracket for mounting on table, wall or under shelf. Bright blue VFD display. Front panel is waterproof, protected to IP65. RS232 standard. (6) built in print formats. Optional RS485 output. Optional remote switch NTEP Legal for Trade 97-038.

| Part Number                 | Weight | SKU  | List      |
|-----------------------------|--------|------|-----------|
| 4300M Check Weigh Indicator | 12 lb  | 6216 | \$ 810.00 |

### Service Parts

|   |      |      |        |
|---|------|------|--------|
| PCA0415 Main board 4300M/8000XL (4)screws | 1 lb | 6219 | 660.00 |
| PCA0410 Main board enhanced 7XL/4300      | 1 lb | 6201 | 579.00 |
| SUB0860 Key sheet w/12 screws on back     | 1 lb | 6328 | 120.00 |



4300M  
Over-Accept-Under

Prices are subject to change without notice. Please call for current prices.

Other items are available from the manufacturers, please call for quote.

13-01 Pollitt Dr Ext  
Fair Lawn NJ 07410  
201-797-2718

**Totalcomp**  
Components

www.totalcomp.com  
sales@totalcomp.com  
Fax 201-797-2287



**7400M**  
Digital Weight Indicator



### 7400M Digital Weight Indicator

Wash down safe. The 7400M digital weight indicator can be mounted on a table, wall or even under a shelf using the versatile U bracket mount. The 304 stainless steel design ensures easy cleanability and long life. Bright red LED displays in lb, kg, oz, lb & oz. This versatile digital weight indicator can be used for replacement or retrofit applications where the scale base need not be replaced. Zero Band Checkweighing is an included feature with OVER, ACCEPT, UNDER indicators. User definable from 1 to 999,000 lb. An innovative gasket design have been combined to allow the 7400 indicator to meet the stringent NEMA 4X and IP69K classifications for washdown protection. Optional interfaces: Programmable, Bi directional RS-232 Interface, RS-485, 4-20mA, Fiber Optic, Washdown Ethernet, user definable data output. Optional setpoints: Up to 8 setpoints are available for use in process control. Accept/Reject, 4 internal relays or 8 digital outputs. 2 year warranty.

NTEP Legal for Trade 99-129  
Canada AM-5347

| Part Number                    | Weight | SKU  | List      |
|--------------------------------|--------|------|-----------|
| 7400M Digital Weight Indicator | 12 lb  | 6563 | \$ 895.00 |

#### Service Parts

|                                |         |      |       |
|--------------------------------|---------|------|-------|
| SUB0513 pushbutton SS for 7400 | 0.09 lb | 6454 | 95.00 |
|--------------------------------|---------|------|-------|



### 7000XL Stainless Steel Indicator

Rugged 304 Washdown Safe **Stainless Steel** construction. Displays Weight In lb, kg, oz, g or lb & oz. Front panel keys: ZERO, PRINT, UNITS. 120 VAC, 60 Hz. Indicator 6" x 10" x 3"D 10 lb.

Canadian approval AM-5347  
NTEP Legal for Trade 99-129

| Part Number               | Weight | SKU  | List      |
|---------------------------|--------|------|-----------|
| 7000XLM Digital Indicator | 10 lb  | 3632 | \$ 795.00 |

#### Options(factory installed)

|   |      |      |        |
|---|------|------|--------|
| EXOPT 303 wireless ethernet             | 1 lb | 3691 | 508.00 |
| EXOPT 308 rechargeable, battery w/board | 2 lb | 3692 | 141.00 |

#### Service Parts

|  |         |      |        |
|--|---------|------|--------|
| SUB0427 Touch Panel for 7000XLS (4) screws | 1 lb    | 4106 | 240.00 |
| SUB0846 Touch Panel for 7000XL (12) screws | 0.47 lb | 4107 | 131.43 |
| SUB0853 battery w/cables                   | 2 lb    | 6657 | 113.00 |



**7000XL**





## DS100 Weight Indicator

Adaptable and economically priced, the DS100 includes many features found on much higher priced indicators. U bracket mount for table wall or shelf. Weighing units: lb, kg, g, oz, lb/oz. 1 year warranty.  
NTEP Legal for Trade 05-061

| Part Number  | Weight  | SKU  | List      |
|--|---------|------|-----------|
| DS100 Weight indicator                                   | 4 lb    | 3689 | \$ 326.00 |
| DS100BM Indicator baggage scale                          | 5 lb    | 7230 | 350.00    |
| <b>Service Parts</b>                                     |         |      |           |
| XFR0035 Wall mount transformer 115VAC 6' negative center | 1 lb    | 6295 | 63.60     |
| SWI0147 Touch Panel DS100-BM                             | 0.03 lb | 3796 | 71.42     |
| SWI0148 Touch Panel DS100-BR                             | 0.03 lb | 3779 | 71.42     |



**DS100**  
Weight Indicator



**DS100BM**  
Baggage scale indicator

Indicators

Prices are subject to change without notice. Please call for current prices.

Other items are available from the manufacturers, please call for quote.

13-01 Pollitt Dr Ext  
Fair Lawn NJ 07410  
201-797-2718



www.totalcomp.com  
sales@totalcomp.com  
Fax 201-797-2287

# Indicators



GSE-350



## 350 Weight Indicators - GSE

Service parts only for 350 indicators.

| Part Number  | Weight | SKU  | List      |
|--|--------|------|-----------|
| <b>Service Parts</b>                                 |        |      |           |
| 24350B-100C1 Output relay module with option bracket | 1 lb   | 5730 | 215.00    |
| 44-35-43069 keypad membrane M375                     | 1 lb   | 3716 | \$ 256.00 |



560-GSE  
Digital Indicator



## 560 Digital Weight Indicator - GSE

Options and service parts only for GSE-560

| Part Number                     | Weight | SKU  | List     |
|---------------------------------|--------|------|----------|
| <b>Service parts</b>            |        |      |          |
| 44-78-37438 vinyl cover 560/660 | 1 lb   | 4973 | \$ 30.00 |

Indicators



SBI-240



## SBI-240 Brecknell Indicator

Robust die cast aluminum indicator with adjustable steel desk/wall bracket

6-1/2 digit 1" / 25 mm seven segment LCD with white backlight, IP65

Measurement Canada AM-5998

NTEP Legal for Trade 15-084

| Part Number       | Weight | SKU  | List      |
|-------------------|--------|------|-----------|
| SBI-240 indicator | 3.1 lb | 4965 | \$ 325.00 |

Prices are subject to change without notice. Please call for current prices.

Other items are available from the manufacturers, please call for quote.

## Indicators



### 465 Weight Indicators - GSE

Service parts only for 465 indicators.

| Part Number                  | Weight | SKU  | List      |
|------------------------------|--------|------|-----------|
| <b>Service Parts for 465</b> |        |      |           |
| 421020-425336 Keyboard M465  | 1 lb   | 4029 | \$ 195.00 |



GSE-465



### 660 & 665 Weight Indicator - GSE

Service parts only for 660 & 665

| Part Number                         | Weight | SKU  | List      |
|-------------------------------------|--------|------|-----------|
| <b>Service parts</b>                |        |      |           |
| 420916-36371 GSE-665 database board | 2 lb   | 7020 | \$ 273.00 |
| 421019-42522 keypad M66X            | 1 lb   | 4902 | 209.00    |



GSE-350 Zinc

### FB2250 Fairbanks Indicator

The versatile Fairbanks FB2250 Series is a reliable choice for any industrial weighing applications. Available in **Stainless steel** Nema 4X and ABS plastic. Bluetooth wireless technology with a 4-20ma output and fieldbus interface to connect to PLC's or PC's with a programmable RS232 output. It has the highest Ingress protection rating available. Choice of AC or AC/DC power and desk or wall mount stand on all models. Units are lb, kg, oz, g, lb & oz.

NTEP Legal for Trade 09-023

| Part Number               | Weight | SKU | List        |
|---------------------------|--------|-----|-------------|
| 28990-SS indicator FB2250 | 5 lb   | 60  | \$ 1,233.00 |

#### Service Parts

|                      |      |     |        |
|----------------------|------|-----|--------|
| 31350 Keypad Overlay | 1 lb | 544 | 122.71 |
|----------------------|------|-----|--------|



FB2250



### Fairbanks Scales

Analog scale interface and indicator parts

| Part Number                   | Weight  | SKU  | List      |
|-------------------------------|---------|------|-----------|
| 30997 Analog scale interface  | 1 lb    | 4155 | \$ 324.00 |
| 15745 Knob for 2300 indicator | 0.16 lb | 6268 | 17.10     |

Prices are subject to change without notice. Please call for current prices.

Other items are available from the manufacturers, please call for quote.

13-01 Pollitt Dr Ext  
Fair Lawn NJ 07410  
201-797-2718

**Totalcomp**  
Components

www.totalcomp.com  
sales@totalcomp.com  
Fax 201-797-2287

## Avery Weigh-Tronix



ZM400

### ZM400 Avery Weightronix

ZM400 series indicators are IP69K certified, 304 brushed stainless steel. Designed for long service in extreme conditions, including corrosive environments and frequent heavy washdown, they are available in desk, wall or column mount versions. The ZM400 features six operational keys, including Zero, Print, Units, Tare, Select and F1. Built-in operation routines or applications can be configured at the time of installation, tailored to your requirements. Multi-scale input, ethernet port, two RS232 serial interface ports, USB host port facilities. DeviceNet, Profibus, Analog output, USB device, Current Loop, RS485/RS422 and Ethernet wireless options are also available.

| Part Number                   | Weight | SKU | List        |
|-------------------------------|--------|-----|-------------|
| ZM-401 Indicator AWT05-507987 | 9 lb   | 689 | \$ 2,742.00 |

#### Options

|   |         |     |        |
|---|---------|-----|--------|
| ATWT05-505632 Analog output option 4-20ma, 0-20ma, 0-24ma, 0-5vdc, 0-10vdc, +/-5vdc, +/-10vdc | 0.43 lb | 870 | 647.00 |
|---|---------|-----|--------|

## Avery Weigh-Tronix



ZM303

### ZM303 Avery Weightronix

Highly adaptable and available with a choice of display technologies and enclosures, these high performance, multi-function indicators give you the flexibility required to suite different applications. Suitable for the office and high pressure and heavy washdown environments, the ZM300 series will analyze, store, display and transmit data across a range of applications.

| Part Number                  | Weight  | SKU | List        |
|------------------------------|---------|-----|-------------|
| ZM303 Indicator AWT05-505797 | 7.78 lb | 715 | \$ 2,247.00 |



## WE2107 Indicator HBM

The WE2107 weighing indicator: you can rely on this talented all-rounder to monitor and control your weighing processes. It does not matter whether these are static or dynamic: the WE2107 is at your side. With first-rate metrological properties and many practical functions that are perfect for incorporating into the industrial weighing process. Because the WE2107 is more than just a weighing indicator: the WE2107 adapts perfectly to your needs, whatever the challenge. So with the WE2107, you will be able to implement many different scale types with just one device. Housing is available in stainless steel or ABS. IP65

OIML R76. Class III/IV

| Part Number                                      | Weight | SKU  | List        |
|--|--------|------|-------------|
| 1-WE2107-1 Indicator ABS housing                 | 3 lb   | 3840 | \$ 1,562.00 |
| 1-WE2107M-SS-1 Indicator stainless steel housing | 3 lb   | 3854 | 1,434.00    |

### Service parts

|   |         |      |        |
|---|---------|------|--------|
| 1-KAB175-12-1 HBM transducer cable M12 F 12m      | 1.05 lb | 3813 | 574.28 |
| For use with HBM analog load cells hygenic design |         |      |        |



WE2107M-SS-1



## IDS430 IDS Weight Indicator

Service parts only.  
Canadian AM 5216  
NTEP Legal for Trade 96-133

| Part Number           | Weight | SKU  | List      |
|-----------------------|--------|------|-----------|
| 0110 mainboard IDS430 | 1 lb   | 4092 | \$ 735.00 |



IDS430  
Weight Indicator



Indicators



## IDS410 IDS Multi Function Weight Indicator

Service parts only.  
Canadian AM 5216  
NTEP Legal for Trade 96-133

| Part Number           | Weight | SKU  | List   |
|-----------------------|--------|------|--------|
| 0110 mainboard IDS410 | 1 lb   | 4062 | 735.00 |



IDS410



Prices are subject to change without notice. Please call for current prices.

Other items are available from the manufacturers, please call for quote.

13-01 Pollitt Dr Ext  
Fair Lawn NJ 07410  
201-797-2718

**Totalcomp**  
Components

www.totalcomp.com  
sales@totalcomp.com  
Fax 201-797-2287



T51XW Indicator



## T51XW Indicator - Ohaus

T51XW: Service parts only for T51XW Ohaus indicator

| Part Number                       | Weight | SKU  | List      |
|-----------------------------------|--------|------|-----------|
| <b>Service Parts</b>              |        |      |           |
| 72210183 Power Supply T31 T51 T71 | 1 lb   | 7102 | \$ 141.00 |



# OHAUS®

## T31P & T32XW 3000 Defender Indicators - Ohaus

**T32MC & T32ME:** ABS plastic front panel with painted carbon steel rear housing; includes painted carbon steel table-wall mount bracket. 6 digit, 7 segment red LED (T32ME), 6 digit, 7 segment LCD (T32MC). Weighing units for: lb, oz, lb-oz, kg, g. 3 LED:

Red/Green/Yellow annunciators for: Parts Counting, Display Hold, Checkweighing, Weight Accumulation. 4 button mechanical switches, raised tactile keys. Painted steel mounting bracket included. 12 VDC, 0.5A, external AC adapter.

**T31P:** ABS plastic housing with internal rib reinforcements. 6 digit, 7 segment backlit LCD. Raised tactical keys. Built in bidirectional RS232C with manual, continuous and interval printing. Weighing units for: lb, oz, lb-oz, kg, g. Hardware configuration lockout switch. Software included for parts counting mode with selectable sample sizes. Selectable span calibration points. Averaging level, auto zero tracking. Battery saving off, Geo Code geographical gravity calibration adjustment. 9 VDC Internal lead acid rechargeable battery and AC adapter.

**DT33XW:** Stainless Steel Washdown Indicator for Basic Industrial Applications.

i-DT33XW is the go-to indicator when simplicity and accuracy are necessary in wet environments, or where the ability to frequently wash down is a must. The IP66 washdown stainless steel housing indicator features software for Weighing, Parts Counting, Check weighing and Totalization, a large multicolor backlit LCD display, stainless steel mounting bracket, and a built-in bi-directional RS232C for printing or data connectivity.

NTEP Legal for Trade 09-090

| Part Number | Weight | SKU  | List      |
|-------------|--------|------|-----------|
| T32MC LCD*  | 4 lb   | 5761 | \$ 373.00 |
| T32ME LED*  | 4 lb   | 5762 | 373.00    |

\* NTEP Legal for Trade

|                               |      |      |        |
|-------------------------------|------|------|--------|
| T31P ABS plastic indicator    | 4 lb | 2471 | 474.00 |
| DT33XW SS enclosure indicator | 7 lb | 2472 | 500.00 |

### Service Parts

|  |         |      |        |
|--|---------|------|--------|
| 46001802 120 VAC adapter w/o prong set | 2 lb    | 716  | 79.00  |
| 46001780 prong set, Int'l              | 1 lb    | 714  | 28.00  |
| 72231279 PCB main T32XW                | 1 lb    | 8021 | 246.00 |
| 72236893 power supply T32XW            | 0.69 lb | 6826 | 134.00 |
| 80251748 wall bracket T32XW            | 1 lb    | 6869 | 71.00  |
| 72202163 LCD display T31P T32XW/M      | 1 lb    | 8022 | 58.00  |
| 72198198 battery T32XW                 | 1 lb    | 8023 | 49.00  |
| 30680655 main board T31P               | 1 lb    | 6812 | 159.00 |
| 72202158 housing top T31P              | 0.38 lb | 6773 | 54.00  |
| 72202159 housing bottom T31P           | 0.52 lb | 6484 | 54.00  |
| 7221284 overlay T32XW                  | 1 lb    | 6333 | 58     |
| .00                                    |         |      |        |
| 72202333 cable kit for T31P T32XW      | 1 lb    | 392  | 28.00  |



T32MC Indicator



T32ME Indicator



T31P Indicator



DT33XW Indicator

Indicators

Prices are subject to change without notice. Please call for current prices.

Other items are available from the manufacturers, please call for quote.

13-01 Pollitt Dr Ext  
Fair Lawn NJ 07410  
201-797-2718

  
Components

www.totalcomp.com  
sales@totalcomp.com  
Fax 201-797-2287



7400+ Indicator



## PENNSYLVANIA

### 7400+ Weight Indicator - Pennsylvania

Weight only. **Stainless steel** washdown enclosure w/ U bracket. Process and bulk applications. 10 point linearization. Terminal strip load cell connect with sealed fittings. Push button tare, 5 button front panel. 16 bit Microprocessor with flash memory. 60 updates per second. (2) data interfaces from a list of (4) including RS232, RS422, RS485, 20 ma current loop. 120 VAC 50/560 Hz, (4) year warranty.

NTEP Legal for Trade 97-009  
Canadian AM-5647

| Part Number     | Weight | SKU  | List      |
|-----------------|--------|------|-----------|
| 7400+ Indicator | 10 lb  | 6768 | \$ 815.00 |

#### Options

|                        |      |      |        |
|------------------------|------|------|--------|
| AO Analog Output       | 1 lb | 6769 | 275.00 |
| Solid State Relays (4) | 1 lb | 6770 | 275.00 |

#### Service Parts

|                        |      |      |       |
|------------------------|------|------|-------|
| 57820 Keypad for 7400+ | 1 lb | 6975 | 72.00 |
|------------------------|------|------|-------|

## PENNSYLVANIA

### 7600E Digital Weigh and Batch Indicator - Pennsylvania

**Stainless steel** washdown enclosure with U Bracket mount for wall or shelf. Replacement for UMC600-AAAC. Pre-programmed Batch and Truck Scale options for easy set up. 0.6" high red LED. 10 point linearization. Smart Serial programmable Serial Data strings. Direct Keyboard entry of Setpoint values and Tare Weights. 6 button front panel. 24 bit delta sigma; 16 mv Signal Input. 30 updates per second. (2) data interfaces, RS232C or RS485, 20 ma current loop. 117 VAC 50/560 Hz, (2) year warranty.

NTEP Legal for Trade 97-009  
Canadian AM-5647

| Part Number                       | Weight | SKU  | List      |
|-----------------------------------|--------|------|-----------|
| 7600E Indicator                   | 10 lb  | 6775 | \$ 855.00 |
| 7600E Indicator AC w/ battery     | 10 lb  | 6422 | 1,105.00  |
| 7600E 12VDC only, no battery      | 10 lb  | 6436 | 855.00    |
| 7600EW Indicator panel mounted SS | 10 lb  | 6419 | 1,005.00  |

#### Options

|  |      |      |        |
|--|------|------|--------|
| 57811 Analog Output                      | 1 lb | 6769 | 275.00 |
| 57818 Solid State Relays (4) AC          | 1 lb | 6770 | 275.00 |
| 57869A Ethernet module                   | 1 lb | 6887 | 275.00 |
| Factory Calibration to Pennsylvania base |      | 6773 | 49.00  |

#### Service Parts

|                        |      |      |        |
|------------------------|------|------|--------|
| 57819 mainboard 7600E  | 1 lb | 6753 | 495.00 |
| 57860 Keypad for 7600E | 1 lb | 6978 | 72.00  |



7600E Indicator



7600E Indicator  
Rear view

Prices are subject to change without notice. Please call for current prices.

Other items are available from the manufacturers, please call for quote.

## PENNSYLVANIA

### 7500+ Weight Indicator - Pennsylvania

Weighing and counting in a standard indicator. Compact size, NEMA 4 stainless steel enclosure. U bracket for desk or wall mounting. Automatic Sample Update for superb counting results. Very fast 60 updates per second. One button counting. (2) data interfaces from a list of (4) including RS232, RS422, RS485, 20 ma current loop. 120 VAC 50/560 Hz, (4) year warranty.

NTEP Legal for Trade 97-009

Canadian AM-5647

| Part Number     | Weight | SKU  | List      |
|-----------------|--------|------|-----------|
| 7500+ Indicator | 10 lb  | 6578 | \$ 755.00 |

#### Options

|                               |      |      |       |
|-------------------------------|------|------|-------|
| 48445 load cell connector kit | 1 lb | 6581 | 33.00 |
|-------------------------------|------|------|-------|

#### Service Parts

|                            |         |      |        |
|----------------------------|---------|------|--------|
| Keypad for 7500+           | 1 lb    | 6976 | 65.00  |
| 75807 main board for 7500+ | 1.15 lb | 6551 | 412.00 |



7500+ Indicator

## PENNSYLVANIA

### 7600+ Weight Indicator - Pennsylvania

Weighing and counting in a standard indicator. Compact size, NEMA 4 stainless steel enclosure. U bracket for desk or wall mounting. Automatic Sample Update for superb counting results. Very fast 60 updates per second. One button counting. 0-9 keypad for entry of Piece weight, Tare weight and 6 digit ID. (2) data interfaces from a list of (4) including RS232, RS422, RS485, 20 ma current loop. Peak Hold feature to remember the last highest weight displayed. Peak can be reset with ZERO key. 120 VAC 50/560 Hz, (4) year warranty.

NTEP Legal for Trade 97-009

Canadian AM-5647

| Part Number     | Weight | SKU  | List      |
|-----------------|--------|------|-----------|
| 7600+ Indicator | 10 lb  | 6579 | \$ 815.00 |

#### Options

|                                |      |      |        |
|--------------------------------|------|------|--------|
| Dual or triple range for 7600+ | 1 lb | 5717 | 195.00 |
|--------------------------------|------|------|--------|

#### Service Parts

|                  |      |      |        |
|------------------|------|------|--------|
| Keypad for 7600+ | 1 lb | 6977 | 105.00 |
|------------------|------|------|--------|



7600+ Indicator

Prices are subject to change without notice. Please call for current prices.

Other items are available from the manufacturers, please call for quote.

13-01 Pollitt Dr Ext  
Fair Lawn NJ 07410  
201-797-2718

 **Totalcomp**  
Components

www.totalcomp.com  
sales@totalcomp.com  
Fax 201-797-2287



TI-500EP



TI-500



TI-1500SL



## TRANSCCELL TECHNOLOGY, INC.

### TI-500P Weight indicator - Transcell Technology

Weighing indicator with an extremely small package size. Full duplex RS232 serial port. Aluminum enclosure. Three point calibration is standard. **Peak hold** is a selectable feature of the TI-500EP. Remote display is a selectable feature of the TI-500EP. All have **stainless steel** swivel stand. 120 VAC adapter is included. Includes 15 ft load cell cable with connector.

NTEP Legal for Trade 96-028

| Part Number                                       | Weight | SKU  | List      |
|---|--------|------|-----------|
| TI-500EP Indicator w/Green LED display, peak hold | 4 lb   | 6437 | \$ 295.00 |
| TI-500 Indicator w/LCD w/backlite display         | 4 lb   | 2840 | 235.00    |
| TI-500E Indicator w/green LED                     | 4 lb   | 4408 | 282.55    |

#### Service Parts

|  |      |      |       |
|--|------|------|-------|
| AC adapter 120 VAC to 9 VDC 0.5A for, TI-500EP           | 1 lb | 2489 | 28.50 |
| Load cell connector for TI-500P & TI-500EP               | 1 lb | 2952 | 29.00 |
| Load cell cable 15 ft w/connector for TI-500P & TI-500EP | 1 lb | 2687 | 60.50 |
| Rear panel load cell connector, flange mount             | 1 lb | 2953 | 29.00 |
| Front overlay for TI-500ESS                              | 1 lb | 4821 | 35.80 |



## TRANSCCELL TECHNOLOGY, INC.

### TI-500SL Weight indicator - Transcell Technology

**Stainless steel.** 0.8", 6 digit LCD display with LED backlight. Displays up to 50,000 graduations. Keys for: Units/ Zero/Off, Net/Gross, Tare, On/Print. Annunciators for: Gross, Net, kg, lb, Center of Zero, Stable, Tare, Negative. Auto weight capture for unstable and live loads. Full duplex RS-232C Serial Port- demand or continuous. Stainless steel swivel stand. Full front panel calibration. Nema 4x/IP65. 12VDC, 800 mA wall adapter.

NTEP Legal for Trade 94-083

| Part Number        | Weight | SKU  | List      |
|--------------------|--------|------|-----------|
| TI-500SL indicator | 10 lb  | 1560 | \$ 425.00 |

#### Service Parts

|                                  |      |      |        |
|----------------------------------|------|------|--------|
| AC adapter 120 VAC to 6 VDC 0.8A | 1 lb | 2812 | 28.50  |
| P360195 faceplate TI-500SL       | 1 lb | 1563 | 21.43  |
| 349070054 battery NP3-6          | 2 lb | 1591 | 57.20  |
| P215460010 Main Board TI-500SL   | 1 lb | 1597 | 179.00 |



**TRANSCCELL TECHNOLOGY, INC.**

## RF Weight indicator - Transcell Technology

Blue Tooth transmission of a load cell signal to the weight indicator.  
Radio Frequency weighing kit includes an NTEP Legal for Trade indicator TI-500RF and an NTEP module TI-500 RFTM-B1 that will connect to a load cell or a load cell junction box. An 120VAC adapter for use with the indicator is also included as well as a 20 ft load cell cable with a connector to the indicator. The module has 3 cables, One is 4 conductor to connect to the output of the load cell or load cell junction box. The other cable will connect to 5.9VDC power in the junction box. The third cable is not connected. The power can come from an optional battery pack or an optional AC to DC adapter. Module has an internal antenna. Indicator also has an internal antenna. Module can be mounted in an optional mounting bracket. Wireless distance is 700 feet with no obstacles and 250 feet through 3 walls.

NTEP Legal for Trade 12-002

| Part Number           | Weight | SKU  | List      |
|-----------------------|--------|------|-----------|
| RF kit Alpha XR-1000m | 10 lb  | 1841 | \$ 925.00 |

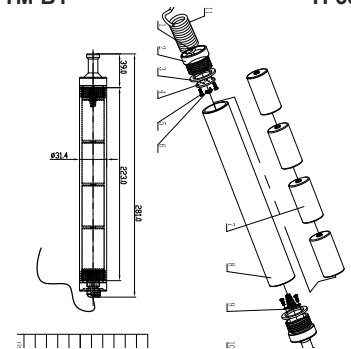
### Options

|   |      |      |       |
|---|------|------|-------|
| P380931051 Battery holder RFTM                  | 1 lb | 1842 | 4400  |
| P3800110010 Mounting bracket RFTM               | 1 lb | 1843 | 20.00 |
| AD007009 AC adapter 100-240 VAC to 5.9 VDC RFTM | 1 lb | 1844 | 24.00 |



TI-500 RFTM-B1

TI-500 RF



Battery holder



Mounting bracket



**TRANSCCELL TECHNOLOGY, INC.**

## TI-700K Waterproof weight indicator - Transcell Technology

**Stainless steel.** Large easy to read LCD display. Applications are Piece counting, Remote Display, Animal, Peak Hold, Checkweighing, Accumulation, Self diagnosis. Gross/Net/Tare print ticket mode with 6 digit ID number. Duplex RS232 serial port, USB port. Internal power supply. Custom unit. Heavy duty swivel mounting stand. 100-240 VAC, IP69K

NTEP Legal for Trade 16-086

Canadian approval AM-6038C

| Part Number                         | Weight | SKU  | List      |
|-------------------------------------|--------|------|-----------|
| TI-700K Waterproof weight indicator | 8 lb   | 2824 | \$ 480.00 |



TI-700K



Prices are subject to change without notice. Please call for current prices.

Other items are available from the manufacturers, please call for quote.

13-01 Pollitt Dr Ext  
Fair Lawn NJ 07410  
201-797-2718

**Totalcomp**  
Components

www.totalcomp.com  
sales@totalcomp.com  
Fax 201-797-2287



920i Indicator

## **RICE LAKE®** WEIGHING SYSTEMS

### 920i Indicator

The 920i® programmable weight indicator/controller is different, yet intuitively familiar for even the least experienced operators. It is truly the first of its kind to blend revolutionary user interfaces, total flexibility and ultimate processing performance with the simplicity of a basic weight indicator. We have taken the best features from weight instruments, PLCs and computers and added more robust electronics, a crisp graphical display and programmable softkeys. Put it all together inside a virtually indestructible enclosure and you have one of the most advanced HMIs the industry has ever seen.

| Part Number  | Weight  | SKU  | List        |
|--|---------|------|-------------|
| 920i Indicator w/USB 115003                        | 12 lb   | 550  | \$ 2,678.00 |
| RL-480 indicator                                   | 7 lb    | 260  | 875.00      |
| <b>Service Parts for 920i</b>                      |         |      |             |
| 164371 display board, LCD                          | 1 lb    | 216  | 339.00      |
| 66502 membrane switch panel                        | 0.10 lb | 240  | 107.14      |
| 67601 24 channel I/O board                         | 1 lb    | 1557 | 352.00      |
| 6705 pulse counter card                            | 1 lb    | 1558 | 333.00      |
| 71333 power supply board                           | 0.54 lb | 1615 | 225.71      |
| 117930 CPU board                                   | 1 lb    | 1529 | 1,118.00    |
| 67614 display board                                | 1 lb    | 1507 | 351.00      |
| 186276 display transreflective LCD module          | 0.48 lb | 1616 | 410.71      |
| <b>Service Parts for RL-480</b>                    |         |      |             |
| 1361345 overlay                                    | 1 lb    | 261  | 90.00       |
| <b>Service Parts for IQ+210</b>                    |         |      |             |
| 53651 PC board                                     | 0.97 lb | 1504 | 511.00      |
| 156794 SCT30-AN converter, 12-24VDC, analog, RS485 | 0.49 lb | 1505 | 423.00      |
| 71014 switch, piezo, non tactile, SPST             | 0.03 lb | 1606 | 57.00       |



## TI-1680 Weight indicator - Transcell Technology

**Stainless steel.** Large easy to read LCD display. Applications are Piece counting, Remote Display, Peak Hold, Checkweighing, Batching, Accumulation, Self diagnosis. Gross/Net/Tare print ticket mode with 6 digit ID number. Two full duplex RS232 serial port. Internal power supply. Custom unit. 2.0, full speed, peripheral USB port. Heavy duty swivel mounting stand. Nema 4x, IP65. 240 VAC. NTEP Legal for Trade 10-078

| Part Number               | Weight | SKU  | List      |
|---------------------------|--------|------|-----------|
| TI-1680 Indicator LED, SS | 9 lb   | 4450 | \$ 640.00 |

### Service Parts

|                       |      |      |        |
|-----------------------|------|------|--------|
| P360755952 Keypad     | 1 lb | 4407 | 72.90  |
| P215759517 Main Board | 1 lb | 4551 | 288.00 |



TI-1680



## PUE 7 Measuring Indicator

**PUE 7:** Indicators are intended for building industrial scales. Plastic housing for rack installations. 5.7" color display, touch panel and membrane keypad. Counting pieces with labeling. Dosage with recipes. KTP (CPG) for pre-packages. Two infrared proximity sensors with programmable functionality installed. Two platforms can be connected to the indicator. PUE 7 supports 1 weighing platform in standard version. Ports for barcode scanners, receipt and label printers, transponder card and readers and typical PC equipment. Window CE 6.0 operating system. Two proximity sensors. IP54. 230VAC.

**PUE 7P SS:** Indicators are intended for building industrial scales. Stainless steel housing for rack installations. 5.7" color display, touch panel and membrane keypad. Counting pieces with labeling. Dosage with recipes. KTP (CPG) for pre-packages. Two infrared proximity sensors with programmable functionality installed. Four platforms can be connected to the indicator. PUE 7 supports 1 weighing platform in standard version. Ports for barcode scanners, receipt and label printers, transponder card and readers and typical PC equipment. Window CE 6.0 operating system. Front IP66/67, whole IP32. 15VDC

| Part Number                   | Weight | SKU  | List      |
|-------------------------------|--------|------|-----------|
| PUE 7 Measuring Indicator     | 3 lb   | 6313 | \$ 251.00 |
| PUE 7P SS Measuring Indicator | 4 lb   | 6314 | 671.00    |



PUE 7  
Measuring Indicator



PUE 7P  
Measuring Indicator

Prices are subject to change without notice. Please call for current prices.

Other items are available from the manufacturers, please call for quote.



**MW2001**  
Digital Indicator



## MW2001 MicroWeigh Digital Indicator - WeighTech

Engineered to be the best in its class. Designed to outperform and outlast other indicators. 5 Touch sensitive keypad responds to human touch, not knives or other sharp instruments. Dust resistant under IP6 makes this the only indicator in this class. Key electronic components permanently sealed in ABS plastic enclosure. Bright, easy to read, 16 character backlit alphanumeric LCD display. Front access panel. Standard weighing, check weighing, bench or floor scales, batch weighing. Can be retrofitted to existing scales. No double boxing. Electrical potted parts for safety when panel is exposed or taken off. Meets industry standards of IP69K, NEMA 4, NEMA 6, IPX7, IPX8. NTEP Legal for Trade 01-082

| Part Number                       | Weight | SKU  | List      |
|-----------------------------------|--------|------|-----------|
| MW2001-HW                         | 6 lb   | 2863 | \$ 997.00 |
| MW2001 Indicator battery operated | 7 lb   | 2864 | 1,035.00  |

### Options

|                              |      |      |       |
|------------------------------|------|------|-------|
| Battery for MW2001 indicator | 1 lb | 2865 | 67.00 |
|------------------------------|------|------|-------|



# T Belting

## Scale Pit T Belting

T-Belting is used on the sides of the scale platform away from the flow of traffic. The ends of the scale platform should use the T-Grip described below. T-belting is 4-1/2" wide and 1/4" thick at top. The vertical is 1-1/2" high and 1/4" thick.

| Part Number            | Weight | SKU  | List      |
|------------------------|--------|------|-----------|
| T-belting, 70 ft (22m) | 66 lb  | 2846 | \$ 451.00 |



T-Belt

## Scale pit T-Grip belting

T-Grip belting will stop unwanted product from getting into a truck scale pit with its unique design. The "T" section will slip into the gap between the scale platform and the pit wall. The gap must be 1/2" or larger to avoid any scale binding. The exclusive grips on the vertical section of the "T" hold on to the pit wall and platform to help prevent the belting from being pulled out with the normal flow of traffic. The T-Grip belting is installed around the perimeter of the scale platform. To allow ventilation, a gap of 8" to 12" can be left on the sides where there is little chance of product spillage. "T" belting is 5-3/4" wide and 1/4" thick at top. The vertical is 2-1/4" high and 7/16" thick.

| Part Number                 | Weight | SKU | List      |
|-----------------------------|--------|-----|-----------|
| T-Grip belting, 70 ft (22m) | 160 lb | 347 | \$ 568.05 |



T-Grip

# Cable



MS3102A-14S-5P



MS3102A-14S-5S



MS3102A-14S-6S



MS3102A-16S-1S



MS3106A-14S-5P



MS3101A-14S-5S



MS3106A-14S-5S



MS3106A-14S-6P



MS3101A-14S-6S



MS3106A-14S-6S



MS3106A-16S-1P



MS3101A-16S-1S



MS3106A-16S-1S

## Connectors

Used to connect load cells and indicators. ElectroScale uses the MS3106A- 14S-6P and MS3101A-14S-6S connector. Make sure you have selected either pins (plugs) or sockets (receptacles). The connectors without flanges have strain relief cable clamps.

| Part Number                 | Contacts           | Weight | SKU  | List     |
|-----------------------------|--------------------|--------|------|----------|
| MS3106A-14S-5P              | 5 pins w/collar    | 1 lb   | 409  | \$ 20.80 |
| MS3101A-14S-5S              | 5 sockets          | 1 lb   | 410  | 27.20    |
| MS3106A-14S-5S              | 5 sockets w/collar | 1 lb   | 1069 | 22.90    |
| MS3106A-14S-6P              | 6 pins w/collar    | 1 lb   | 254  | 21.40    |
| MS3101A-14S-6S              | 6 sockets          | 1 lb   | 255  | 28.90    |
| MS3106A-14S-6S              | 6 sockets w/collar | 1 lb   | 1070 | 23.40    |
| MS3106A-16S-1P              | 7 pins w/collar    | 1 lb   | 256  | 22.70    |
| MS3101A-16S-1S              | 7 sockets          | 1 lb   | 257  | 21.90    |
| MS3106A-16S-1S              | 7 sockets w/collar | 1 lb   | 1006 | 28.00    |
| <b>With mounting flange</b> |                    |        |      |          |
| MS3102A-14S-5P              | 5 pins             | 1 lb   | 1708 | 12.20    |
| MS3102A-14S-5S              | 5 sockets          | 1 lb   | 3585 | 13.20    |
| MS3102A-14S-6S              | 6 sockets          | 1 lb   | 1068 | 13.20    |
| MS3102A-16S-1S              | 7 sockets          | 1 lb   | 1011 | 18.20    |

## Connectors

For Digital Weight Indicators and printers

| Part Number | Used with            | Mates with | Weight | SKU  | List     |
|-------------|----------------------|------------|--------|------|----------|
| 57-30500    | 8130 desk mount, A&D | 57-40500   | 1 lb   | 633  | \$ 36.00 |
| 57-30360    | Electroscale DR525   | 57-40360   | 1 lb   | 630  | 33.00    |
| DE-09P      | Ohaus PBI serial     | DE-09S     | 1 lb   | 581  | 16.80    |
| DE-09S      | Ohaus PBI serial     | DE-09P     | 1 lb   | 582  | 16.80    |
| DA-15P      | UMC 2000             | DA-15S     | 1 lb   | 881  | 18.00    |
| DA-15S      | UMC 2000             | DA-15P     | 1 lb   | 882  | 18.00    |
| DB-25P      | RS232-C, 550/551     | DB-25S     | 1 lb   | 631  | 21.00    |
| DB-25S      | RS232-C              | DB-25P     | 1 lb   | 1052 | 21.00    |
| DC-37P      | UMC2000, AO543       | DC-37S     | 1 lb   | 634  | 23.00    |
| DC-37S      | WI 110               | DC-37P     | 1 lb   | 1053 | 23.00    |
| DD-50P      | AN-5316              | MD50F      | 1 lb   | 464  | 26.00    |



57-30360

57-30500



DE-09P

DA-15P

DB-25P

DC-37P

DD-50P



DE-09S

DA-15S

DB-25S

DC-37S

Cable

## Hazardous Environment Blue Jacket Cable

Designed for intrinsically safe applications, must be wired according to Factory Mutual System approved diagram. 0.32 inch diameter. Polyurethane over PVC double jacketing provides superior chemical and abrasion resistance. Both foil and braided wire shields for added RFI and EMI protection. 6 conductors are industry standard color coded (red, black, green, white, blue, brown). Suited for longer runs where remote sense lines can be used. -22F to 126F (-30C to 80C) temperature rating.

| Part Number                                     | Weight | SKU  | List    |
|---|--------|------|---------|
| Hazardous Environment Blue Jacket Cable/per ft. | 1 lb   | 3456 | \$ 2.85 |



**Hazardous Environment  
Blue Jacket Cable**

Prices are subject to change without notice. Please call for current prices.

Other items are available from the manufacturers, please call for quote.

# Cable



72-N1

## Splicing kit - Scotchcast

Inline splicing kit for shielded or non-shielded cable 1/4" to 5/8" dia. The translucent body is made of strong plastic in molded body halves. Mold body length is 7-3/16". Tongue and groove design provides a firm, solid joint. Simply snap together around the splice and seal the ends. Mix the 2104 Electrical Insulating and Sealing Compound in its Unipak container and pour it into the mold. 2104 Compound is a two part, low viscosity polyurethane for permanent splice protection. This compound flows well - even at low temperatures. It fills mold bodies completely and eliminates voids. Cure time is about 1 hour at 72 deg F and 20 hours at 20 deg F. The Unipak container allows fast mixing of premeasured portions that pour cleanly from the container. No tools or containers are needed. A loosely woven polyester spacer web, bonded to the inside of the mold body, allows even distribution of the compound around the splice. Included in the kit are compound, rubber tape end-sealing strips, and instructions. Excellent moisture seal protects against water entry.

| Part Number | Weight | SKU | List      |
|-------------|--------|-----|-----------|
| 72-N1       | 1 lb   | 768 | \$ 127.00 |



NM-44B

## PVC Splice Box

Low cost/high performance high impact PVC(non-metallic). Weatherproof gasket cover for wet or corrosive environments indoors or outdoors. 7 position screw clamp terminal block on lid accepts up to No. 10 AWG wire. Cable connectors: (2) watertight nylon compression fittings. 0.69-395 cable diameters. 4" x 4" x 2-1/2" deep. Mounting ears molded into base.

| Part Number | Weight | SKU  | List     |
|-------------|--------|------|----------|
| NM-44B      | 1 lb   | 2440 | \$ 95.10 |

Cable



308A

## BLH Load Cell Cable & Box

BLH summing box 308A-4-cp and 6 conductor load cell cable multi-cell interface for load cell signal conditioning instrumentation. Analog summing of up to (8) transducers (no trim pots that cause calibration shifts). The internal terminal block connection provides for either a (4) wire or (6) wire (remote sensing) hookup.

| Part Number                                  | Weight | SKU | List     |
|--|--------|-----|----------|
| 207078 cable 6 conductor BLH, price per foot | 1 lb   | 312 | \$ 7.14  |
| 459339 summing box 308A-4-CP                 | 12 lb  | 313 | 1,050.00 |

Prices are subject to change without notice. Please call for current prices.

Other items are available from the manufacturers, please call for quote.

## Load Cell Cable

4 wire and 6 wire 20 gage (AWG) stranded tinned copper, vinyl insulation, aluminum shield with drain wire (100% shield coverage), vinyl jacket. Resistance is 10.3 ohms per 1,000 ft.  
 4 Wire : Black, white, red, green and shield.  
 6 Wire : Black, white, red, green, yellow, blue and shield.

| Part Number   | Weight      | SKU | List       |
|---------------|-------------|-----|------------|
| <b>4 wire</b> |             |     |            |
| 1 to 499 ft   | 4 lb/100 ft | 190 | \$ 1.55/ft |
| 500 ft roll   | 20 lb       | 241 | 1.55/ft    |
| 1000 ft roll  | 40 lb       | 242 | 1.55/ft    |
| <b>6 wire</b> |             |     |            |
| 1 to 499 ft   | 6 lb/100 ft | 191 | 2.85/ft    |
| 500 ft roll   | 30 lb       | 244 | 2.85/ft    |
| 1000 ft roll  | 60 lb       | 245 | 2.85/ft    |



4 wire cable



6 wire cable

## High Performance Load Cell Cable

The best available insulation resistance. The highest quality toughness and abrasion resistance. 4 wire and 6 wire 20 gage AWG stranded tinned copper. Each wire is insulated with Teflon which has the highest dielectric constant available. Shielding is tinned copper braid. Outer jacket is polyurethane for superior abrasion resistance. Consequently, the initial installation which requires stripping the jacket to expose the conductors is made more difficult with the tough polyurethane. But the long term benefits of this extremely strong jacket is worth the extra effort in installation. Resistance is 10.3 ohms per 1,000 ft.

| Part Number               | Weight       | SKU  | List              |
|---------------------------|--------------|------|-------------------|
| <b>4 wire (1/4" dia)</b>  |              |      |                   |
| 1 to 499 ft               | 7 lb/100 ft  | 1904 | \$ 4.35/ft        |
| 500 ft roll               | 35 lb        | 1905 | 2,125.00(4.25/ft) |
| 1000 ft roll              | 65 lb        | 1906 | 4,150.00(4.15/ft) |
| <b>6 wire (5/16" dia)</b> |              |      |                   |
| 1 to 499 ft               | 10 lb/100 ft | 1907 | 5.20/ft           |
| 500 ft roll               | 50 lb        | 1908 | 2,550.00(5.10/ft) |
| 1000 ft roll              | 100 lb       | 1909 | 5,000.00(5.00/ft) |



4 wire cable



6 wire cable

## Armor Braid Load Cell Cable

Prevent rodents from eating through load cell cable with this **stainless steel** armor braid. 4 wire 22 gage (AWG) and 6 wire 20 gage (AWG) stranded tinned copper. Each wire is insulated with PVC and has a secondary nylon jacket. Next a Mylar sheath with a min of 35% overlap coverage. Shielding is tinned copper braided shield with 90% min coverage. Jacket is grey polyurethane. Armor braid is **stainless steel** for rodent and abrasion protection. 22 gage (AWG) resistance is 14.7 ohms per 1,000 ft. 20 gage (AWG) resistance is 10.3 ohms per 1,000 ft.  
 4 wire : Black, white, red, green and shield.  
 6 wire : Black, white, red, green, yellow, blue and shield.

| Part Number                       | Weight       | SKU  | List       |
|-----------------------------------|--------------|------|------------|
| <b>4 wire 22 gage (5/16" dia)</b> |              |      |            |
| 1 to 499 ft                       | 7 lb/100 ft  | 1073 | \$ 6.75/ft |
| 500 ft roll                       | 35 lb        | 1074 | 6.65/ft    |
| <b>6 wire 20 gage (7/16" dia)</b> |              |      |            |
| 1 to 499 ft                       | 10 lb/100 ft | 1665 | 7.45/ft    |
| 500 ft roll                       | 50 lb        | 1666 | 7.35/ft    |



Armor Braid Cable

Prices are subject to change without notice. Please call for current prices.

Other items are available from the manufacturers, please call for quote.

# Mounting



Rod End



Rod End  
Stainless Steel

## Rod Ends

Externally threaded with jam nut.

| Thread (UNF) | Length | Bore  | Shank | Dia   | Width | Static load |        | SKU  | Each List |
|--------------|--------|-------|-------|-------|-------|-------------|--------|------|-----------|
|              |        |       |       |       |       | Capacity    | Weight |      |           |
| 1/4-28       | 1.562  | 0.250 | 1.000 | 0.750 | 0.375 | 2,157 lb    | 1 lb   | 178  | \$ 12.00  |
| 3/8-24       | 1.938  | 0.375 | 1.250 | 1.000 | 0.500 | 4,916 lb    | 1 lb   | 179  | 16.22     |
| 1/2-20       | 2.438  | 0.500 | 1.500 | 1.312 | 0.625 | 8,075 lb    | 1 lb   | 180  | 27.70     |
| 5/8-18       | 2.625  | 0.625 | 1.625 | 1.500 | 0.750 | 9,509 lb    | 1 lb   | 433  | 30.60     |
| 3/4-16       | 2.875  | 0.750 | 1.750 | 1.750 | 0.875 | 13,831 lb   | 1 lb   | 434  | 41.80     |
| 1-14         | 4.125  | 1.000 | 2.125 | 2.750 | 1.375 | 43,541 lb   | 2 lb   | 181  | 122.55    |
| 1-12         | 4.125  | 1.000 | 2.125 | 2.750 | 1.375 | 43,541 lb   | 3 lb   | 1012 | 137.00    |
| 1-1/4-12     | 4.125  | 1.250 | 2.125 | 2.750 | 1.093 | 44,500 lb   | 3 lb   | 1013 | 152.00    |
| 1-1/2-12     | 5.375  | 1.500 | 3.000 | 3.500 | 1.312 | 96,510 lb   | 5 lb   | 1014 | 236.00    |
| 2-12         | 8.000  | 2.000 | 4.625 | 5.000 | 1.750 | 225,457 lb  | 14 lb  | 1015 | 420.00    |

## Rod Ends with Teflon liner for electrical isolation.

Use Bonding Braid across load cell to give a parallel path for high voltage and current present in lightning strikes.

| Thread (UNF) | Length | Bore  | Shank | Dia   | Width | Static load |        | SKU | Each List |
|--------------|--------|-------|-------|-------|-------|-------------|--------|-----|-----------|
|              |        |       |       |       |       | Capacity    | Weight |     |           |
| 1/4-28       | 1.562  | 0.250 | 1.000 | 0.750 | 0.375 | 2,158 lb    | 1 lb   | 322 | \$ 27.27  |
| 1/2-20       | 2.438  | 0.500 | 1.500 | 1.312 | 0.625 | 6,660 lb    | 1 lb   | 323 | 46.41     |
| 3/4-16       | 2.875  | 0.750 | 1.750 | 1.750 | 0.875 | 11,518 lb   | 1 lb   | 324 | 54.80     |

## Stainless Steel Rod Ends with Teflon liner for electrical isolation.

Stainless steel for corrosion resistance. Use Bonding Braid across load cell to give a parallel path for high voltage and current present in lightning strikes.

| Thread (UNF) | Length | Bore  | Shank | Dia   | Width | Static load |        | SKU  | Each List |
|--------------|--------|-------|-------|-------|-------|-------------|--------|------|-----------|
|              |        |       |       |       |       | Capacity    | Weight |      |           |
| 3/8-24       | 1.938  | 0.375 | 1.250 | 1.000 | 0.500 | 8,627 lb    | 1 lb   | 3263 | \$ 86.80  |
| 1/2-20       | 2.438  | 0.500 | 1.500 | 1.312 | 0.625 | 15,130 lb   | 1 lb   | 3264 | 108.00    |
| 5/8-18       | 2.625  | 0.625 | 1.625 | 1.500 | 0.750 | 16,922 lb   | 1 lb   | 3265 | 156.00    |
| 3/4-16       | 2.875  | 0.750 | 1.750 | 1.750 | 0.875 | 25,549 lb   | 1 lb   | 3266 | 243.30    |

## Insulated tension mounting assembly

Forged steel, zinc plated. Each assembly includes 2 insulators, 2 threaded adapters, 2 eye nuts, 2 links, 2 eye bolts, 2 coarse jam nuts, 2 fine jam nuts.

| Part Number | Load cell  | Steelyard  | Assembly |        | SKU  | List      |
|-------------|------------|------------|----------|--------|------|-----------|
|             | Thread     | Thread     | Length   | Weight |      |           |
| TMAI-1/4    | 1/4-28 UNF | 1/4-28 UNF | 11.5     | 2 lb   | 5387 | \$ 162.00 |
| TMAI-3/8    | 3/8-24 UNF | 3/8-16 UNC | 17.5     | 5 lb   | 5388 | 193.00    |
| TMAI-1/2    | 1/2-20 UNF | 1/2-13 UNC | 19.25    | 7 lb   | 5389 | 332.94    |



Insulated tension mounting assembly

Prices are subject to change without notice. Please call for current prices.

Other items are available from the manufacturers, please call for quote.

## Tension Alignment Assembly

Each alignment assembly includes an internally coarse threaded housing w/wrench flats which contains a Teflon insulator that mates with a spherical headed stud w/fine thread. The 3/4" and 1" units have a Delrin insulator. Includes (1) fine jam nut and (1) coarse jam nut. Side of housing has 1/4-20 tapped hole for attaching ground strap. Grounding screw not included. Zinc and clear chromate plated.

| Part Number             | Length | Capacity  | Weight | SKU  | List      |
|-------------------------|--------|-----------|--------|------|-----------|
| TAA-1/4-28 to 1/4-20    | 4"     | 300 lb    | 1 lb   | 3287 | \$ 134.40 |
| TAA-3/8-24 to 3/8-16    | 4"     | 300 lb    | 2 lb   | 3288 | 134.40    |
| TAA-1/2-20 to 1/2-13    | 4"     | 3,000 lb  | 2 lb   | 3289 | 134.40    |
| TAA-1/2-20 to 5/8-11    | 4"     | 3,000 lb  | 2 lb   | 1273 | 134.00    |
| TAA-3/4-16 to 3/4-10    | 5.38"  | 10,000 lb | 4 lb   | 3290 | 134.40    |
| TAA-3/4-16 to 1-8       | 5.38"  | 10,000 lb | 4 lb   | 2950 | 220.00    |
| TAA-1-14 to 1-8         | 5.25"  | 15,000 lb | 4 lb   | 3041 | 281.00    |
| TAA-1-14 to 1 1/4-7     | 5.25"  | 15,000 lb | 5 lb   | 2951 | 260.40    |
| TAA-1-1/4-12 to 1-1/2-6 | 6.6"   | 20,000 lb | 6 lb   | 3203 | 284.55    |



TAA Tension Alignment Assembly

## Eyes Nuts

Forged steel, galvanized(zinc coating) with jam nut. Recommend using a safety factor of 3 to 1 which matches the normal load cell 300% ultimate load.

| Size Inches | Inside Dimintions | Ultimate Strenght | Weight | SKU | List     |
|-------------|-------------------|-------------------|--------|-----|----------|
| 1/4-20      | 0.75 x 1.063      | 2, 500 lb         | 1 lb   | 447 | \$ 18.75 |
| 3/8-16      | 1.00 x 1.250      | 5, 200 lb         | 1 lb   | 448 | 18.75    |
| 1/2-13      | 1.25 x 1.500      | 12, 000 lb        | 1 lb   | 449 | 21.56    |
| 5/8-11      | 1.50 x 2.000      | 16, 000 lb        | 1 lb   | 450 | 39.60    |
| 3/4-10      | 1.75 x 2.375      | 20, 000 lb        | 2 lb   | 451 | 26.10    |
| 1-8         | 2.25 x 3.063      | 36, 000 lb        | 3 lb   | 452 | 86.30    |



Eye Nut

## Tension Mounting Assembly

Forged steel, zinc plated. Each assembly includes 2 eye nuts, 2 links, 2 eye bolts, 2 coarse jam nuts, 2 fine jam nuts.

| Load cell Thread | Steelyard Thread | Assembly Length | Weight | SKU | List     |
|------------------|------------------|-----------------|--------|-----|----------|
| 1/4-28 UNF       | 1/4-20 UNC       | 8.5             | 1 lb   | 173 | \$ 85.10 |
| 3/8-24 UNF       | 3/8-16 UNC       | 11.5            | 2 lb   | 174 | 67.50    |
| 1/2-20 UNF       | 1/2-13 UNC       | 13.25           | 3 lb   | 175 | 97.13    |
| 5/8-18 UNF       | 5/8-11 UNC       | 16.25           | 4 lb   | 176 | 128.00   |
| 3/4-16 UNF       | 3/4-10 UNC       | 18.75           | 8 lb   | 453 | 226.00   |
| 1-14 UNF         | 1-8 UNC          | 23.75           | 17 lb  | 177 | 433.00   |



Tension Mounting Assembly

Prices are subject to change without notice. Please call for current prices.

Other items are available from the manufacturers, please call for quote.

# Mounting



Clevis

## Clevis

Zinc plated steel with jam nut. Used to connect rod ends to threaded rod or bolts. Has 1/4-20 machine screw for termination of bonding braid (ground strap). Teflon washers provide electrical isolation for lightning protection. Electrical isolation is complete when used with Rod End that has Teflon liner.

| Thread     | Capacity  | Pin Dia | Gap at pin | Weight | SKU | List      |
|------------|-----------|---------|------------|--------|-----|-----------|
| 1/4-20 UNC | 300 lb    | 0.240"  | 0.250      | 1 lb   | 587 | \$ 105.00 |
| 3/8-16 UNC | 300 lb    | 0.365"  | 0.375      | 1 lb   | 588 | 105.00    |
| 1/2-13 UNC | 3,000 lb  | 0.490"  | 0.500      | 1 lb   | 488 | 114.80    |
| 5/8-11 UNC | 10,000 lb | 0.615"  | 0.675      | 2 lb   | 589 | 154.00    |
| 3/4-10 UNC | 10,000 lb | 0.740"  | 0.750      | 3 lb   | 590 | 154.00    |



Clevis  
Stainless steel

## Clevis-Stainless steel

Stainless steel with jam nut. Used to connect rod ends to threaded rod or bolts. Has 1/4-20 machine screw for termination of bonding braid (ground strap). Teflon washers provide electrical isolation for lightning protection. Electrical isolation is complete when used with Rod End that has Teflon liner.

| Thread     | Capacity  | Pin Dia | Gap at pin | Weight | SKU  | List      |
|------------|-----------|---------|------------|--------|------|-----------|
| 1/4-20 UNC | 300 lb    | 0.240"  | 0.250      | 1 lb   | 7328 | \$ 126.00 |
| 3/8-16 UNC | 300 lb    | 0.365"  | 0.375      | 1 lb   | 7329 | 126.00    |
| 1/2-13 UNC | 3,000 lb  | 0.490"  | 0.500      | 1 lb   | 7330 | 195.00    |
| 5/8-11 UNC | 10,000 lb | 0.615"  | 0.675      | 2 lb   | 7331 | 217.00    |
| 3/4-10 UNC | 10,000 lb | 0.740"  | 0.750      | 3 lb   | 7332 | 271.00    |



Tension Mounting Bolt

## Tension Mounting Bolt

Each mounting bolt includes a hex machine screw, mating pair of spherical washers and jam nut, zinc plated.

Recommend using a safety factor of 3 to 1 which matches the normal load cell 300% ultimate load.

| Thread (UNF-2) | Length | Tensile Strength | Weight | SKU  | List    |
|----------------|--------|------------------|--------|------|---------|
| TMB-1/4-28     | 1.5"   | 5,880 lb         | 1 lb   | 454  | \$ 6.00 |
| TMB-3/8-24     | 2"     | 13,247 lb        | 1 lb   | 455  | 10.30   |
| TMB-1/2-20     | 2.5"   | 23,550 lb        | 1 lb   | 456  | 11.18   |
| TMB-5/8-18     | 3"     | 36,797 lb        | 1 lb   | 457  | 13.20   |
| TMB-3/4-16     | 3.5"   | 52,987 lb        | 1 lb   | 458  | 18.40   |
| TMB-1-14       | 4"     | 94,200 lb        | 2 lb   | 459  | 54.95   |
| TMB-1-1/4-12   | 5"     | 128,789 lb       | 4 lb   | 1031 | 115.00  |
| TMB-1-1/2-12   | 6"     | 185,456 lb       | 5 lb   | 1032 | 149.00  |
| TMB-2-12       | 7"     | 329,700 lb       | 14 lb  | 1033 | 179.00  |

Prices are subject to change without notice. Please call for current prices.

Other items are available from the manufacturers, please call for quote.



## Eye Bolts

Forged steel. Externally threaded with jam nut. Zinc plated.  
Recommend using a safety factor of 3 to 1 which matches the normal load cell 300% ultimate load.

| Thread (UNF) Fine thread   | Overall length | Shank length | Inside eye | Outside eye | Ultimate Strength | Weight | SKU  | Each List |
|----------------------------|----------------|--------------|------------|-------------|-------------------|--------|------|-----------|
| 1/4-28                     | 2.000          | 1.00         | 0.750      | 1.187       | 2,500 lb          | 1 lb   | 182  | \$ 9.50   |
| 3/8-24                     | 2.875          | 1.25         | 1.000      | 1.813       | 5,200 lb          | 1 lb   | 183  | 15.10     |
| 1/2-20                     | 3.125          | 1.50         | 1.187      | 2.000       | 12,000 lb         | 1 lb   | 184  | 46.80     |
| 5/8-18                     | 3.687          | 1.75         | 1.375      | 2.500       | 16,000 lb         | 1 lb   | 185  | 47.90     |
| 3/4-16                     | 4.063          | 2.00         | 1.500      | 2.813       | 20,000 lb         | 1 lb   | 440  | 52.20     |
| 1-14                       | 5.187          | 2.50         | 1.813      | 3.562       | 36,000 lb         | 2 lb   | 186  | 83.33     |
| 1 1/4-12                   | 7.500          | 3.00         | 2.187      | 4.438       | 75,000 lb         | 5 lb   | 1671 | 147.00    |
| 1 1/2-12                   | 8.750          | 3.50         | 2.500      | 5.187       | 105,000 lb        | 8 lb   | 1672 | 275.00    |
| 2-12                       | 10.875         | 4.00         | 3.250      | 6.875       | 140,000 lb        | 18 lb  | 1673 | 492.00    |
| <b>(UNC) Coarse thread</b> |                |              |            |             |                   |        |      |           |
| 1/4-20                     | 2.000          | 1.00         | 0.750      | 1.187       | 2,500 lb          | 1 lb   | 1112 | 8.70      |
| 1/2-13                     | 3.125          | 1.50         | 1.187      | 2.000       | 12,000 lb         | 1 lb   | 583  | 13.10     |



Eye bolt

## Eye Bolts-Stainless Steel

Forged stainless steel with external threads and **stainless steel** jam nut.  
Recommend using a safety factor of 3 to 1 which matches the normal load cell 300% ultimate load

| Thread (UNF) Fine thread | Overall length | Shank length | Inside eye | Outside eye | Ultimate Strength | Weight | SKU  | Each List |
|--------------------------|----------------|--------------|------------|-------------|-------------------|--------|------|-----------|
| 1/4-28                   | 2.000          | 1.00         | 0.750      | 1.187       | 2,500 lb          | 1 lb   | 1763 | \$ 50.80  |
| 1/2-20                   | 3.125          | 1.50         | 1.187      | 2.000       | 12,000 lb         | 1 lb   | 1764 | 71.30     |
| 3/4-16                   | 4.063          | 2.00         | 1.500      | 2.813       | 20,000 lb         | 1 lb   | 1765 | 120.60    |

## Connecting Links

Forged steel, zinc plated with interlocking lugs.

| Size (Inches) | Inside Dimensions | Weight | SKU | List     |
|---------------|-------------------|--------|-----|----------|
| 1/4           | 0.438 x 0.813     | 1 lb   | 441 | \$ 13.30 |
| 3/8           | 0.563 x 1.094     | 1 lb   | 442 | 12.10    |
| 1/2           | 0.719 x 1.469     | 1 lb   | 443 | 14.90    |
| 5/8           | 0.813 x 1.750     | 1 lb   | 444 | 17.50    |
| 3/4           | 0.938 x 2.063     | 2 lb   | 445 | 34.90    |
| 1             | 1.750 x 2.625     | 3 lb   | 446 | 114.00   |
| 1-1/4         | 1.500 x 3.156     | 5 lb   | 736 | 297.00   |



1/4 to 1" Link



1-1/4 Link

# Mounting



Tension Cable with adjustable ends

## Tension cable w/adjustable ends

Wire rope assembly has UNF (fine thread) on one fitting and UNC (coarse thread) on the other. The fittings on both ends of the cable will turn independently to allow for easy installation and adjustment. Threaded fittings are zinc plated steel with wrench flats. Galvanized cable with swaged **stainless steel** ball and shank on each end. Each end fitting has jam nut. Recommend using a safety factor of 3 to 1 which matches the normal load cell 300% ultimate load.

| Thread                                  | Overall Length | Rated Capacity | Ultimate Strength | End Fittings                     | Weight | SKU  | List     |
|---|----------------|----------------|-------------------|----------------------------------|--------|------|----------|
| TC1/4-28/20                             | 3.5"           | 120 lb         | 480 lb            | 1/4-28 1"lg<br>1/4-20 1"lg       | 1 lb   | 752  | \$ 40.60 |
| TC1/4-28/16                             | 4.0"           | 240 lb         | 480 lb            | 1/4-28 1"lg<br>3/8-16 1.25"lg    | 1 lb   | 1393 | 56.90    |
| TC3/8-24/16                             | 4.25"          | 230 lb         | 920 lb            | 3/8-24 1.25"lg<br>3/8-16 1.25"lg | 1 lb   | 753  | 70.80    |
| TC3/8-24/13                             | 4.75"          | 230 lb         | 920 lb            | 3/8-24 1.25"lg<br>1/2-13 1.5"lg  | 1 lb   | 1394 | 57.20    |
| TC1/2-20/13                             | 5"             | 700 lb         | 2,800 lb          | 1/2-20 1.5"lg<br>1/2-13 1.5"lg   | 1 lb   | 754  | 64.76    |
| <b>All stainless steel construction</b> |                |                |                   |                                  |        |      |          |
| TC1/4-28/20-SS                          | 3.5"           | 120 lb         | 480 lb            | 1/4-28 1"lg<br>1/4-20 1"lg       | 1 lb   | 872  | 193.00   |
| TC1/2-20/13-SS                          | 5"             | 700 lb         | 2,800 lb          | 1/2-20 1.5"lg<br>1/2-13 1.5"lg   | 1 lb   | 4893 | 156.00   |



TC1/2-20/13-5.5

## Tension cable w/swaged ends

Wire rope assembly has UNF (fine thread) on one fitting and UNC (coarse thread) on the other. Galvanized cable with swaged zinc plated threaded steel fittings on each end. Also available as all stainless steel. Each end fitting has jam nut. Recommend using a safety factor of 3 to 1 which matches the normal load cell 300% ultimate load.

| Thread          | Length | Capacity | Strength | Fittings                       | Weight | SKU  | List     |
|-----------------|--------|----------|----------|--------------------------------|--------|------|----------|
| TC1/2-20/13-5.5 | 5.5"   | 1,400 lb | 7,000 lb | 1/2-20 1.5"lg<br>1/2-13 1.5"lg | 1 lb   | 1397 | \$ 88.20 |



TC1/2-20/13-5.5-SS

### Stainless steel

|                    |      |          |          |                                |         |      |        |
|--------------------|------|----------|----------|--------------------------------|---------|------|--------|
| TC1/2-20/13-5.5-SS | 5.5" | 1,400 lb | 7,000 lb | 1/2-20 1.5"lg<br>1/2-13 1.5"lg | 0.26 lb | 1473 | 112.00 |
|--------------------|------|----------|----------|--------------------------------|---------|------|--------|



TC1/2-13-M12-5.5

### Metric/UNF thread

#### Stainless steel

|              |      |          |          |                             |      |      |       |
|--------------|------|----------|----------|-----------------------------|------|------|-------|
| TC1/2-13-M12 | 5.5" | 1,400 lb | 7,000 lb | M12 1.5"lg<br>1/2-13 1.5"lg | 1 lb | 1693 | 67.70 |
|--------------|------|----------|----------|-----------------------------|------|------|-------|

Prices are subject to change without notice. Please call for current prices.

Other items are available from the manufacturers, please call for quote.

## Load cell insulators

Protect load cells from damaging high voltage and current. Electrically isolate the load cell with one insulator at each end mounted in the tension hardware. Use in areas where close lightning strikes cause load cell burnouts. Recommend using a safety factor of 3 to 1 which matches the normal load cell 300% ultimate load.

| Thread     | Capacity | Strength  | Thread                                 | Size                   | Weight | SKU  | List     |
|------------|----------|-----------|--|------------------------|--------|------|----------|
| 5612-28    | 150 lb   | 600 lb    | 1/4-28UNF<br>x 5/16"deep               | 1"x1"h                 | 1 lb   | 1048 | \$ 23.29 |
| 2781-16    | 750 lb   | 3,000 lb  | 3/8-16UNC<br>x 1/2"deep                | 2-1/2"x2-1/2"h         | 1 lb   | 428  | 26.08    |
| 2781-24    | 750 lb   | 3,000 lb  | 3/8-24UNF<br>x 1/2"deep                | 2-1/2"x2-1/2"h         | 1 lb   | 463  | 60.29    |
| 2781-13    | 750 lb   | 3,000 lb  | 1/2-13UNC<br>x 5/8"deep                | 2-1/2"x2-1/2"h         | 1 lb   | 429  | 37.03    |
| 2781-20    | 750 lb   | 3,000 lb  | 1/2-20UNF<br>x 3/4"deep                | 2-1/2"x2-1/2"h         | 1 lb   | 462  | 68.95    |
| 2781-20/13 | 750 lb   | 3,000 lb  | 1/2-20UNF<br>& 1/2-13UNC<br>x 3/4"deep | 2-1/2"x2-1/2"h         | 1 lb   | 966  | 52.85    |
| ST-1015    | 3,000 lb | 12,000 lb | 1/2-13UNC<br>x 9/16"deep(gray)         | 2-13/32"x<br>2-13/32"h | 2 lb   | 382  | 154.00   |



5612

2781



ST-1015

## Threaded adapters

Externally threaded for connecting load cells to insulators. Also useful where mounting space is limited. Steel, zinc plated. Adapters have jam nuts at each end.

| Part Number      | Thread                      | Length | Weight | SKU  | List    |
|------------------|-----------------------------|--------|--------|------|---------|
| A 1/4-28/28      | 1/4-28 full length          | 1.00"  | 1 lb   | 699  | \$ 3.20 |
| A 1/4-28/20      | 1/4-28x1/2"lg 1/4-20x1/2"lg | 1.00"  | 1 lb   | 717  | 3.20    |
| A 1/4-28/16      | 1/4-28x1"lg 3/8-16x1"lg     | 2.00"  | 1 lb   | 1409 | 6.70    |
| A 1/4-28/24      | 1/4-28x1"lg 3/8-24x1"lg     | 2.00"  | 1 lb   | 1410 | 7.90    |
| A 3/8-24/24      | 3/8-24 full length          | 1.25"  | 1 lb   | 718  | 3.00    |
| A 3/8-24/16      | 3/8-24x1"lg 3/8-16x1"lg     | 2.00"  | 1 lb   | 719  | 3.20    |
| A 1/2-20/20      | 1/2-20 full length          | 1.50"  | 1 lb   | 720  | 6.46    |
| A 1/2-13/13      | 1/2-13 full length          | 1.50"  | 1 lb   | 2346 | 6.46    |
| A 1/2-20/13      | 1/2-20x1"lg 1/2-13x1"lg     | 2.00"  | 1 lb   | 721  | 6.53    |
| A 1/2-20/13-2.5  | 1/2-20x1-1/4";1/2-13x1-1/4" | 2.50"  | 1 lb   | 1405 | 8.37    |
| A 3/4-16/10-3.25 | 3/4-16x2-1/8";3/4-10x1-1/8" | 3.25"  | 1 lb   | 1406 | 12.10   |
| A 1/2-13x12"     | 1/2-13 full length          | 12"    | 1 lb   | 496  | 8.90    |
| A 3/4-10x12"     | 3/4-10 full length          | 12"    | 1 lb   | 497  | 11.85   |



Threaded Adapter

Prices are subject to change without notice. Please call for current prices.

Other items are available from the manufacturers, please call for quote.

# Mounting



Quick link

## Quick link

Zinc plated link easily connects mounting hardware such as shackles, eye bolts, links, eye nuts and chain.

| Size             | Working Load limit | Weight | SKU  | List    |
|------------------|--------------------|--------|------|---------|
| 1/4" Quick link  | 880 lb             | 1 lb   | 1945 | \$ 5.40 |
| 5/16" Quick link | 1,540 lb           | 1 lb   | 1946 | 6.30    |
| 3/8" Quick link  | 2,200 lb           | 1 lb   | 1947 | 17.50   |
| 1/2" Quick link  | 3,300 lb           | 1 lb   | 1948 | 14.95   |



Shackle

## Forged Shackles

Used to connect rod ends to eye bolts, eye nuts or hooks.

| Nominal Size | Capacity | Pin Dia. | Gap Pin | Weight | SKU | List    |
|--------------|----------|----------|---------|--------|-----|---------|
| 1/4          | 1,000 lb | 5/16     | 0.500   | 1 lb   | 435 | \$ 6.20 |
| 3/8          | 2,000 lb | 7/16     | 0.656   | 1 lb   | 436 | 8.50    |
| 7/16         | 3,000 lb | 1/2      | 0.719   | 1 lb   | 437 | 10.80   |
| 1/2          | 4,000 lb | 5/8      | 0.813   | 1 lb   | 438 | 11.80   |
| 3/4          | 7,500 lb | 7/8      | 1.250   | 1 lb   | 439 | 29.00   |

## Spherical Washer pair

Concave and convex pair of washers are used to provide a firm mounting surface for a rod or bolt when there is a slight off perpendicular condition.

| Part Number                    | I.D.   | O.D.  | Thickness | Weight | SKU | List    |
|--------------------------------|--------|-------|-----------|--------|-----|---------|
| <b>Black finish tool steel</b> |        |       |           |        |     |         |
| 1/4" Spherical washer          | 9/32   | 5/8   | 3/16      | 1 lb   | 755 | \$ 3.80 |
| 3/8" Spherical washer          | 13/32  | 7/8   | 1/4       | 1 lb   | 756 | 9.40    |
| 1/2" Spherical washer          | 17/32  | 1-1/8 | 5/16      | 1 lb   | 757 | 6.50    |
| 5/8" Spherical washer          | 21/32  | 1-3/8 | 5/16      | 1 lb   | 758 | 8.90    |
| 3/4" Spherical washer          | 25/32  | 1-5/8 | 3/8       | 1 lb   | 759 | 8.90    |
| 1" Spherical washer            | 1-1/16 | 2     | 1/2       | 1 lb   | 760 | 13.30   |
| 1-1/4" Spherical washer        | 1-5/16 | 2-5/8 | 1/2       | 1 lb   | 761 | 27.40   |
| 1-1/2" Spherical washer        | 1-9/16 | 2-7/8 | 9/16      | 1 lb   | 762 | 34.00   |
| 2" Spherical washer            | 2-1/16 | 3-7/8 | 3/4       | 2 lb   | 763 | 51.90   |

## Stainless steel

|                            |        |       |      |      |      |        |
|----------------------------|--------|-------|------|------|------|--------|
| 1/4" SS spherical washer   | 9/32   | 5/8   | 3/16 | 1 lb | 1161 | 9.20   |
| 3/8" SS spherical washer   | 13/32  | 7/8   | 1/4  | 1 lb | 1162 | 12.10  |
| 1/2" SS spherical washer   | 17/32  | 1-1/8 | 5/16 | 1 lb | 1163 | 17.72  |
| 5/8" SS spherical washer   | 21/32  | 1-3/8 | 5/16 | 1 lb | 1164 | 15.66  |
| 3/4" SS spherical washer   | 25/32  | 1-5/8 | 3/8  | 1 lb | 1165 | 22.20  |
| 1" SS spherical washer     | 1-1/16 | 2     | 1/2  | 1 lb | 1166 | 34.60  |
| 1-1/4" SS spherical washer | 1-5/16 | 2-5/8 | 1/2  | 1 lb | 1167 | 78.30  |
| 1-1/2" SS spherical washer | 1-9/16 | 2-7/8 | 9/16 | 1 lb | 1168 | 75.80  |
| 2" SS spherical washer     | 2-1/16 | 3-7/8 | 3/4  | 2 lb | 1169 | 114.00 |



Spherical Washer

Prices are subject to change without notice. Please call for current prices.

Other items are available from the manufacturers, please call for quote.

## Load Cup

Load cup for use with single ended beam load cells. Heat treated and polished stainless steel construction. Screw driving slot at end of stud for vertical adjustment.. Ball is not included with cup.

| Part Number      | Ball     | Thread | Length | Weight | SKU  | List     |
|------------------|----------|--------|--------|--------|------|----------|
| TLC1220 load cup | 5/8" dia | 1/2-20 | 1.25"  | 1 lb   | 5362 | \$ 38.00 |
| TLC3416 load cup | 7/8" dia | 3/4-16 | 1.50"  | 1 lb   | 5363 | 48.30    |



TLC1220  
Load cup

## Ball Cup or Cone

Bearing cup and ball or conical load button for use with TB2 and TB3 single ended beam load cells. Wrench flats on end of stud for vertical adjustment.

| Part Number                                    | Weight | SKU  | List     |
|--|--------|------|----------|
| Bearing cup and 7/8" dia ball for TB2/TB3 beam | 1 lb   | 1474 | \$ 66.60 |
| Conical load button for TB2/TB3 beam           | 1 lb   | 708  | 83.33    |



Conical  
Load button  
100-300 lb



TB2/TB3  
Bearing cup  
and 7/8" dia ball

## Load Button

Load button for use with load cells. Heat treated and polished stainless steel construction. Wrench flats for easy disassembly.

| Part Number         | Capacity  | Thread | Length | Weight | SKU  | List     |
|---------------------|-----------|--------|--------|--------|------|----------|
| TLB1220 load button | 250 to 5K | 1/2-20 | 0.7"   | 1 lb   | 2915 | \$ 35.00 |
| TLB3416 load button | 5 to 10K  | 3/4-16 | 0.9"   | 1 lb   | 2916 | 60.64    |



Load button 1/2-20



Load button 3/4-16

# Mounting



**3"x4"x5/8"1/2-13  
Mounting plate, for welding**



**Spacer plates for single  
ended beam load cells**

## Mounting plate for floor scale load beam cells

This mounting plate is 3" x 4" x 5/8" thick with (2) drilled and tapped 1/2-13UNC thread having 1" spacing center to center. This plate is for welding to the underside of a floor scale to provide a convenient mounting surface for the single ended load beam cells. Plate is unpainted without any plating or finish. Must be primed and painted with the floor scale.

| Part Number                     | Weight | SKU  | List     |
|---------------------------------|--------|------|----------|
| 3"x4"x5/8"1/2-13 Mounting plate | 2 lb   | 2791 | \$ 29.20 |

## Spacer for Beam Cells

This **Stainless steel** spacer plate will provide clearance between a single ended beam cell and the mounting surface. Three thicknesses 0.080", 1/4" and 3/8" are available. The hole size and spacing will fit typical beam load cells

| Part Number   | Thickness | Size          | Capacity | Weight | SKU  | List     |
|---------------|-----------|---------------|----------|--------|------|----------|
| TBS-80-5-SS   | 0.080"    | 1.25" x 2.25" | 1K-5K SE | 1 lb   | 6623 | \$ 17.90 |
| TBS-80-10-SS  | 0.080"    | 1.50" x 3.00" | 5K-10K   | 1 lb   | 6624 | 21.40    |
| TBS-1/8-5-SS  | 1/8"      | 1.25" X 2.25" | 1k-5K SE | 1 lb   | 6807 | 22.00    |
| TBS-1/4-5-SS  | 1/4"      | 1.25" x 2.25" | 1K-5K SE | 1 lb   | 6625 | 25.70    |
| TBS-1/4-10-SS | 1/4"      | 1.50" x 3.00" | 5K-10K   | 1 lb   | 6626 | 34.00    |
| TBS-1/4-20-SS | 1/4"      | 2.00" x 4.00" | 15K-20K  | 2 lb   | 6627 | 45.00    |
| TBS-3/8-5-SS  | 3/8"      | 1.25" x 2.25" | 1K-5K SE | 1 lb   | 6628 | 30.10    |

## Spacer for beam cells, (nickel plated)

|              |      |               |          |      |      |       |
|--------------|------|---------------|----------|------|------|-------|
| TBS-1/8-5-NP | 1/8" | 1.25" x 2.25" | 1K-5K SE | 1 lb | 6800 | 16.00 |
|--------------|------|---------------|----------|------|------|-------|



**FR**  
4 Hole Retainer

## Foot Retainer (New installation)

Foot retainer for new installation of floor scales. The mild steel plate has 4 mounting holes and is completely under the floor scale platform. The hole diameter is 1/8" larger than the foot dia for easy installation.

| Part Number            | Size               | Foot dia | Hole dia | Weight | SKU  | List     |
|------------------------|--------------------|----------|----------|--------|------|----------|
| FR-1.875               | 4" x 4" x 1/4"     | 1-3/4"   | 1-7/8"   | 1 lb   | 6459 | \$ 24.00 |
| FR-2.000               | 4" x 4" x 1/4"     | 1-7/8"   | 2"       | 1 lb   | 6607 | 24.00    |
| FR-2.125               | 4" x 4" x 1/4"     | 2"       | 2-1/8"   | 1 lb   | 6608 | 24.00    |
| FR-2.625               | 4" x 4" x 1/4"     | 2-1/2"   | 2-5/8"   | 1 lb   | 6609 | 24.40    |
| FR-3.125               | 4.5" x 4.5" x 1/4" | 3"       | 3-1/8"   | 1 lb   | 6610 | 28.14    |
| <b>Stainless Steel</b> |                    |          |          |        |      |          |
| FR-3.125               | 4.5" x 4.5" x 1/4" | 3"       | 3-1/8"   | 1 lb   | 6516 | 42.80    |

## Foot Retainer (Existing installation)

Foot retainer for existing scales. When a scale cannot be removed for adding retainers, these longer two hole mild steel versions make the task easy. Simply raise each corner of the floor scale and slip the foot retainer under the beam foot. The two mounting holes extend past the edge of the floor scale platform for drilling and bolting to the floor. The whole diameter is 1/8" larger than the foot dia for easy installation.

| Part Number | Size             | Foot dia | Hole dia | Weight | SKU  | List     |
|-------------|------------------|----------|----------|--------|------|----------|
| FRL-1.875   | 4" x 4" x 1/4"   | 1-3/4"   | 1-7/8"   | 1 lb   | 3131 | \$ 22.42 |
| FRL-2.000   | 3" x 4.5" x 1/4" | 1-7/8"   | 2"       | 1 lb   | 4630 | 22.42    |
| FRL-2.125   | 3" x 4.5" x 1/4" | 2"       | 2-1/8"   | 1 lb   | 4631 | 22.42    |
| FRL-2.625   | 4" x 4.5" x 1/4" | 2-1/2"   | 2-5/8"   | 1 lb   | 4632 | 24.00    |
| FRL-3.125   | 4" x 5" x 1/4"   | 3"       | 3-1/8"   | 1 lb   | 4633 | 24.00    |
| FRL-3.625   | 4.5" x 6" x 1/4" | 3-1/2"   | 3-5/8"   | 1 lb   | 4795 | 28.14    |



**FRL**  
2 Hole Retainer

# Mounting



Jam nuts

## Jam Nuts

Hex nut, zinc plated.

| Fine Thread (UNF) | Weight | SKU  | List    |
|-------------------|--------|------|---------|
| 1/4-28            | 1 lb   | 1125 | \$ 0.14 |
| 3/8-24            | 1 lb   | 1126 | 0.14    |
| 1/2-20            | 1 lb   | 1127 | 0.30    |
| 5/8-18            | 1 lb   | 1128 | 0.38    |
| 3/4-16            | 1 lb   | 1129 | 0.49    |
| 1-14              | 1 lb   | 1130 | 2.73    |
| 1-12              | 1 lb   | 1184 | 12.50   |
| 1 1/4-12          | 1 lb   | 1183 | 9.90    |
| 1 1/2-12          | 1 lb   | 1182 | 13.00   |
| 2-12              | 1 lb   | 1181 | 29.70   |

## Coarse Thread (UNC)

|        | Weight | SKU  | List    |
|--------|--------|------|---------|
| 1/4-20 | 1 lb   | 1131 | \$ 0.14 |
| 3/8-16 | 1 lb   | 1132 | 0.14    |
| 1/2-13 | 1 lb   | 1133 | 0.17    |
| 5/8-11 | 1 lb   | 1134 | 0.24    |
| 3/4-10 | 1 lb   | 1135 | 0.49    |
| 1-8    | 1 lb   | 1136 | 0.64    |

## Jam Nuts, Stainless steel

Hex nut, stainless steel.

| Fine Thread (UNF)   | Weight | SKU  | List    |
|---------------------|--------|------|---------|
| 1/4-28 UNF SS       | 1 lb   | 1760 | \$ 0.90 |
| 3/8-24 UNF SS       | 1 lb   | 1565 | 1.30    |
| 1/2-20 UNF SS       | 1 lb   | 1761 | 1.83    |
| 5/8-24 UNF SS       | 1 lb   | 1566 | 1.75    |
| 3/4-16 UNF SS       | 1 lb   | 1762 | 2.83    |
| Coarse Thread (UNC) | Weight | SKU  | List    |
| 1/4-20 UNC SS       | 1 lb   | 211  | \$ 0.90 |
| 1/2-13 UNC SS       | 1 lb   | 4892 | 1.40    |

Prices are subject to change without notice. Please call for current prices.

Other items are available from the manufacturers, please call for quote.



# Mounting

## Bolts

Hex head cap screws, **Stainless steel.**

| Coarse Thread (UNC) | Weight | SKU  | List    |
|---------------------|--------|------|---------|
| 1/2-13 x 2-SS       | 1 lb   | 2102 | \$ 8.45 |
| 1/2-13 x 2.5-SS     | 1 lb   | 2233 | 8.95    |

| Fine Thread (UNF) | Weight | SKU  | List     |
|-------------------|--------|------|----------|
| 1/2-20 x 2.5-SS   | 1 lb   | 4373 | \$ 16.95 |
| 1/2-20 x 3-SS     | 1 lb   | 4569 | 18.00    |



Bolt

## Bolts

Hex head cap screws, zinc plated.

| Coarse Thread (UNC) | Weight | SKU  | List   |
|---------------------|--------|------|--------|
| 1/2-13 x 1-3/4      | 1 lb   | 2735 | \$ .75 |

| Fine Thread (UNF) | Weight | SKU  | List    |
|-------------------|--------|------|---------|
| 1/4-28 x 1.5"-ZP  | 1 lb   | 2131 | \$ 0.40 |
| 3/8-24 x 2"-ZP    | 1 lb   | 2132 | 1.10    |
| 1/2-20 x 2.5"-ZP  | 1 lb   | 2133 | 1.90    |
| 5/8-18 x 3"-ZP    | 1 lb   | 2134 | 4.50    |
| 3/4-16 x 3.5"-ZP  | 1 lb   | 2135 | 6.70    |
| 1-14 x 4"-ZP      | 1 lb   | 2136 | 17.90   |
| 1-1/4-12 x 5"-ZP  | 1 lb   | 3604 | 46.70   |
| 1-1/2-12 x 6"-ZP  | 1 lb   | 3605 | 100.00  |
| 2-12 x 7"-ZP      | 1 lb   | 3606 | 197.00  |

## Washer

Split lock washer, zinc plated.

| Part number            | Weight | SKU  | List   |
|------------------------|--------|------|--------|
| 1/2" Split lock washer | 1 lb   | 2747 | \$ .33 |



Split lock washer

Prices are subject to change without notice. Please call for current prices.

Other items are available from the manufacturers, please call for quote.

13-01 Pollitt Dr Ext  
Fair Lawn NJ 07410  
201-797-2718

  
Components

www.totalcomp.com  
sales@totalcomp.com  
Fax 201-797-2287

# Mounting



CBBF



WF



TBF Disassembled

TBF



EBF 1420

## Beam feet

These feet screw into the threaded load hole in single ended beam load cells.

**Stainless steel** captive ball bearing foot with 10 deg pivoting and 360 deg rotation.

| Part Number          | Min Ht | Max Ht | Pad        | Wt      | SKU  | List     |
|----------------------|--------|--------|------------|---------|------|----------|
| CBBF-1/2-20x1-7/8-SS | 1-3/4" | 3"     | 1-7/8" dia | 0.63 lb | 4864 | \$ 68.04 |
| CBBF-1/2-20x2-SS     | 1-3/4" | 3"     | 2" dia     | 0.65 lb | 4865 | 68.04    |
| CBBF-1/2-20x2-1/2-SS | 1-3/4" | 3"     | 2-1/2" dia | 0.96 lb | 4866 | 68.04    |
| CBBF-1/2-20x3-SS     | 1-3/4" | 3"     | 3" dia     | 0.99 lb | 4020 | 68.25    |
| CBBF-3/4-16x3-SS     | 2-1/2" | 4-1/4" | 3" dia     | 1.87 lb | 4021 | 104.49   |
| CBBF-1-14x3-SS       | 2-1/2" | 4-1/4" | 3" dia     | 1.92 lb | 4022 | 153.33   |
| CBBF-1-12x3-SS       | 2-1/2" | 4-1/4" | 3" dia     | 2.12 lb | 4023 | 153.33   |

**Alloy steel** captive ball bearing foot with 10 deg pivoting and 360 deg rotation.

| Part Number          | Min Ht | Max Ht | Pad        | Wt      | SKU  | List     |
|----------------------|--------|--------|------------|---------|------|----------|
| CBBF-1/2-20x1-7/8-AS | 1-3/4" | 3"     | 1-7/8" dia | 0.62 lb | 4867 | \$ 44.94 |
| CBBF-1/2-20x2-AS     | 1-3/4" | 3"     | 2" dia     | 0.64 lb | 4868 | 44.94    |
| CBBF-1/2-20x2-1/2-AS | 1-3/4" | 3"     | 2-1/2" dia | 0.95 lb | 4869 | 44.94    |
| CBBF-1/2-20x3-AS     | 1-3/4" | 3"     | 3" dia     | 0.98 lb | 4870 | 44.94    |
| CBBF-3/4-16x3-AS     | 2-1/2" | 4-1/4" | 3" dia     | 1.86 lb | 4871 | 74.03    |
| CBBF-1-14x3-AS       | 2-1/2" | 4-1/4" | 3" dia     | 1.91 lb | 4872 | 88.41    |
| CBBF-1-12x3-AS       | 2-1/2" | 4-1/4" | 3" dia     | 2.11 lb | 4873 | 120.00   |

**Rubber cap** for CBBF. Molded rubber caps for harsh or wet environments.

| Part Number                           | Wt   | SKU  | List    |
|---------------------------------------|------|------|---------|
| Rubber cap for 1/2-20x1-7/8" & 2" dia | 1 lb | 4874 | \$ 9.90 |
| Rubber cap for 1/2-20x2-1/2" & 3" dia | 1 lb | 4875 | 21.30   |
| Rubber cap for 3/4-16x3" dia          | 1 lb | 4876 | 10.80   |

## Beam feet

Replacement feet that are commonly used on Weigh-Tronix® floor scales. They are made of solid stainless steel for hard usage. These feet screw into the threaded load hole in single ended beam load cells.

| Part Number     | Wt   | SKU  | List     |
|-----------------|------|------|----------|
| WF-1/2-13x1-3/4 | 1 lb | 4877 | \$ 62.65 |
| WF-5/8-11x2     | 1 lb | 4878 | 81.30    |

## Beam feet - Metric

Alloy steel swivel foot with non slip rubber base. Ball and rocker socket design prevents debris from entering joint. Allows horizontal movement similar to rocker pin design. Built in hex nut for height adjustment.

| Part Number | Wt   | SKU  | List     |
|-------------|------|------|----------|
| TBF-M12     | 1 lb | 6904 | \$ 30.00 |
| TBF-M18     | 2 lb | 6905 | 45.00    |

## Scale foot

For use with Pennsylvania Scales, bases and scales. Plastic end cap with 1/4-20 UNC stainless steel stud.

| Part Number                    | Wt   | SKU | List     |
|--------------------------------|------|-----|----------|
| EBF1420 Plastic SS foot 1/4-20 | 1 lb | 270 | \$ 16.60 |

Prices are subject to change without notice. Please call for current prices.

Other items are available from the manufacturers, please call for quote.

# Mounting

## Beam feet

These feet screw into the threaded load hole in single ended beam load cells.

**Stainless steel** stud and base will resist corrosion. Uneven floors are accommodated with the oblique spheroid joint which has hex wrench flats and jam nut for height adjustment. The ball and socket joint has the ball under the socket which keeps dust and dirt from entering joint. Bottom of foot is bonded with rubber to stop slipping. 30 degree swivel and 360 degree rotation.

| Part Number  | Min Ht | Max Ht | Pad        | Wt   | SKU  | List     |
|--------------|--------|--------|------------|------|------|----------|
| TBF1/2-20-SS | 2-1/8" | 3-3/8" | 3" dia     | 2 lb | 1781 | \$ 82.70 |
| TBF3/4-16-SS | 2-3/4" | 4-1/8" | 3 1/2" dia | 3 lb | 1782 | 113.00   |



TBF

## Beam feet

**Stainless steel** heat treated and electropolished. Rubber insert is bonded into a recess at the bottom of the foot. This prevents the foot from sliding on the floor. 60 deg swivel and 360 deg rotation.

| Part Number        | Min Ht | Max Ht | Pad        | Wt   | SKU  | List     |
|--------------------|--------|--------|------------|------|------|----------|
| SBF3/8-16SS        | 1-3/8" | 2-1/2" | 1-1/4" dia | 1 lb | 1241 | \$ 36.50 |
| SBF1/2-20x1-7/8-SS | 1-3/4" | 3-1/4" | 1-7/8" dia | 1 lb | 584  | 60.30    |
| SBF1/2-20x3-SS     | 1-3/4" | 3-1/4" | 3" dia     | 2 lb | 2677 | 90.60    |
| SBF3/4-16-SS       | 2-3/8" | 4-1/4" | 3" dia     | 2 lb | 585  | 93.30    |

## Scale foot

|              |        |        |            |      |      |       |
|--------------|--------|--------|------------|------|------|-------|
| SBF5/16-18SS | 1-3/8" | 2 1/2" | 1 1/4" dia | 1 lb | 1497 | 36.50 |
|--------------|--------|--------|------------|------|------|-------|



SBF-SS

## Beam feet

**Alloy steel** with zinc plate finish. Rubber insert is bonded into a recess at the bottom of the foot. This prevents the foot from sliding on the floor. 60 deg swivel and 360 deg rotation.

| Part Number | Min Ht | Max Ht | Pad    | Wt   | SKU | List     |
|-------------|--------|--------|--------|------|-----|----------|
| SBF3/4-16   | 2-3/8" | 4-1/8" | 3" dia | 2 lb | 75  | \$ 96.60 |



SBF

Mounting

Prices are subject to change without notice. Please call for current prices.

Other items are available from the manufacturers, please call for quote.

13-01 Pollitt Dr Ext  
Fair Lawn NJ 07410  
201-797-2718

  
Components

www.totalcomp.com  
sales@totalcomp.com  
Fax 201-797-2287

# Mounting



DBF

## Beam feet

**Diamond Brand** swivel beam foot. Swivel ball bearing foot with non-slip rubber base.

| Part Number            | Min Ht | Max Ht | Pad    | Wt   | SKU  | List     |
|------------------------|--------|--------|--------|------|------|----------|
| <b>Alloy Steel</b>     |        |        |        |      |      |          |
| DBF 1/2-20             | 2-3/8" | 3-1/2" | 2-3/8" | 1 lb | 2522 | \$ 28.00 |
| DBF 3/4-16             | 2-1/8" | 3-3/8" | 2-3/8" | 2 lb | 2526 | 42.00    |
| <b>Stainless Steel</b> |        |        |        |      |      |          |
| DBF 1/2-20-SS          | 2-3/8" | 3-1/2" | 2-3/8" | 1 lb | 4313 | 36.00    |



NBF

## Beam feet

**Neoprene rubber** with steel insert for 10 deg pivoting and 360 deg rotation.

| Part Number | Min Ht | Max Ht | Pad    | Wt   | SKU | List     |
|-------------|--------|--------|--------|------|-----|----------|
| NBF1/2-20   | 1-7/8" | 3-1/4" | 3" dia | 1 lb | 77  | \$ 34.00 |
| NBF3/4-16   | 2-1/2" | 4-1/8" | 5" dia | 3 lb | 79  | 80.00    |



RBF

## Beam feet

**Rigid rubber** with steel insert for no pivoting and no rotation.

| Part Number     | Min Ht | Max Ht | Pad        | Wt   | SKU  | List     |
|-----------------|--------|--------|------------|------|------|----------|
| RBF1/2-20x1-7/8 | 1"     | 3"     | 1-7/8" dia | 1 lb | 4024 | \$ 35.00 |
| RBF1/2-20x2-1/2 | 1"     | 3"     | 2-1/2" dia | 1 lb | 4025 | 35.00    |
| RBF1/2-20x3     | 1"     | 3"     | 3" dia     | 1 lb | 4026 | 35.00    |
| RBF3/4-16x3     | 1"     | 3"     | 3" dia     | 1 lb | 5381 | 58.60    |



LFR

## Beam Feet

Used in Transcell scales.

| Part Number        | Height | Wt   | SKU  | List     |
|--------------------|--------|------|------|----------|
| LFR-2x1/2-20       | 2" dia | 1 lb | 4997 | \$ 21.30 |
| LFR-2Sx1/2-20 SLOT | 2" dia | 1 lb | 4975 | 21.30    |



63899  
Fairbanks foot

## Fairbanks Foot Assembly

Rubber and steel with load pin and retaining bolt. For use with HR 3400.

| Part Number         | Height    | Wt   | SKU  | List      |
|---------------------|-----------|------|------|-----------|
| 63899 Foot assembly | 2.24" dia | 1 lb | 4007 | \$ 128.68 |

## Mounting

### Rubber-Bumper

Rubber bumper with unthreaded hole 1-1/2" OD

| Part Number                   | Height   | Wt   | SKU  | List     |
|-------------------------------|----------|------|------|----------|
| 9540K36 Rubber Bump (10) pack | 3/4" dia | 1 lb | 4000 | \$ 34.60 |



Rubber  
Bumper



### Beam foot Assembly

For use on Cardinal Beam scale. Include rocker pin with "o" rings between 2" dia foot base and threaded stud M12X1.75".

| Part Number            | Height | Pad    | Wt   | SKU  | List      |
|------------------------|--------|--------|------|------|-----------|
| 1930-B363-QA Foot assy | 3-1/8" | 2" dia | 1 lb | 4098 | \$ 242.00 |

### Rice Lake Surefoot beam foot

Used in Rice Lake floor scales.

Stainless steel w/ neoprene  
1/2-20NF x 3.47" dia x 2.62" H

| Part Number           | Height | Pad       | Wt      | SKU  | List     |
|-----------------------|--------|-----------|---------|------|----------|
| 18756 Surefoot 1/2-20 | 2.62"  | 3.47" dia | 0.81 lb | 7431 | \$ 64.28 |



18756 Surefoot

Mounting

## Avery Weigh-Tronix

### Weigh-Tronix beam foot

Used in Weigh-Tronix floor scales.

| Part Number                  | Height | Pad    | Wt   | SKU  | List      |
|------------------------------|--------|--------|------|------|-----------|
| 55637-0013 Weigh-Tronix foot | —"     | —" dia | 1 lb | 7578 | \$ 289.00 |

Prices are subject to change without notice. Please call for current prices.

Other items are available from the manufacturers, please call for quote.

13-01 Pollitt Dr Ext  
Fair Lawn NJ 07410  
201-797-2718

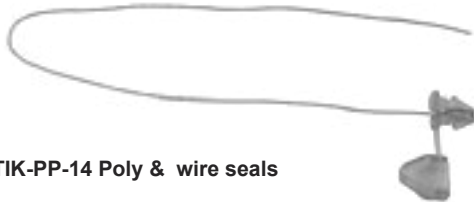
 **Totalcomp**  
Components

www.totalcomp.com  
sales@totalcomp.com  
Fax 201-797-2287

# Supplies



TIK-A Marking pliers



TIK-PP-14 Poly & wire seals

## Polypropylene Plastic Security Seals

Polypropylene and wire seal for the applications that will not accept the traditional lead and wire seal. This seal will also comply with paragraph S.1.8. of Handbook 44. This seal is installed without any tools. A sealing press is not required. Simply insert the wire through the sealing holes and bend it around the insert and snap the seal closed. If the seal must be marked with identification numbers or letters, the seal would be stamped with special marking pliers prior to installing the seal. The wire is 14" long, single strand galvanized steel, 0.028" dia. Marking pliers have two special steel dies for impressing marks in one or both faces of the seal. The dies are custom embossed. Each die can have up to 4 letters or numbers i.e., initials on one die, company or year on other die. Allow 4 to 6 weeks for embossing dies.

| Part Number                              | Weight | SKU  | List     |
|--|--------|------|----------|
| TIK-PP-14 poly & wire seal (pack of 100) | 1 lb   | 2342 | \$ 76.60 |
| TIK-A Marking pliers w/o embossed dies   | 1 lb   | 2343 | 154.00   |
| Embossed die, 4 characters               | 1 lb   | 2344 | 142.00   |

Press has 2 dies. (2) dies must be ordered separately with each pliers.

## Press for Security Seals

Security seals comply with paragraph S.1.8. of Handbook 44. The flexible wire goes thru holes in the indicator case and then through the seal. The sealing press will lock the wire by crimping the soft metal and emboss the characters on the dies. Sealing press, 5" long, steel construction. Press comes with mating pair of engraved flat dies for use on lead seals. Each die can have up to 4 letters or numbers i.e., initials on one die, company or year on other die.

Allow 4 to 6 weeks for engraving dies.

| Part Number                              | Weight | SKU | List      |
|--|--------|-----|-----------|
| 5" Bulldog seal press with engraved dies | 2 lb   | 431 | \$ 188.00 |
| Replacement die, 4 characters, engraved  | 1 lb   | 432 | 54.30     |

Press has 2 dies.



5" Bulldog

## Lead Security Seals

Lead and wire seals comply with paragraph S.1.8. of Handbook 44. Lead seals are 3/8" diameter and have a cavity at one end so that when wire is doubled back through the lead it is concealed when the lead is pressed. The wire is 6" long, 3 ply 0.018" copper.

| Part Number                            | Weight | SKU | List      |
|--|--------|-----|-----------|
| 3/8" E lead + wire seals (pack of 100) | 2 lb   | 430 | \$ 107.00 |



3/8" Lead & wire seals

# Supplies



WLC100

## Soldering Station

Variable power control 5 to 40 watts. 40 watt pencil iron and ST# interchangeable tip. Replaceable heating element. Cushioned foam grip. Safety guard iron holder. On/off switch with "Power On" indicator light. 120 VAC, 50 Hz, 60 Hz.

| Part Number                     | Weight | SKU | List      |
|---------------------------------|--------|-----|-----------|
| WLC100 Welder soldering station | 3 lb   | 230 | \$ 123.00 |
| WP25 Welder soldering station   | 1 lb   | 237 | 92.40     |



Sorbit-3g

## Stop corrosion & moisture problems!

Silica Gel, moisture absorbent and desiccant will keep moisture from causing signal changes in junction boxes and instruments. Two convenient sizes are available for large and small junction boxes. Just put one or two packets of silica gel in each junction box, instrument and printer. Avoid corrosion problems due to moisture. Packets can be reactivated and used again. An absolute necessity in every truck scale junction box. Each packet contains 2 ounces (56 grams) of silica gel.

| Part Number | Size             | Weight | SKU  | List    |
|-------------|------------------|--------|------|---------|
| Sorbit-3g   | 1" x 2" x 1/4"   | 1 lb   | 2949 | \$ 1.95 |
| Sorbit-2    | 4.5" x 5" x 3/8" | 1 lb   | 217  | 3.65    |



Sorbit-2



### 3 Conductor power supply cord

6' lg, gray SVT vinyl with molded vinyl grounding plug, 18 gage, 1250 watts, 10A, 125V.

| Part Number                     | Weight | SKU  | List    |
|---------------------------------|--------|------|---------|
| 17237 Cord w/plug & pigtails    | 1 lb   | 226  | \$ 8.60 |
| 17250 Cord w/international jack | 1 lb   | 1085 | 15.50   |



### Transient load cell protector

This protector will stop electrical transients such as spikes, surges and noise from damaging strain gage load cells. Excitation voltage can be 18 VDC or +/-9 VDC or 9 VAC. This unit will clamp the excitation voltage to 20 VDC between + and - excitation terminals, 75 VDC between any terminal and earth ground. Three active protection stages on each of four lines. One active protection stage on the shield. Response time on 20 VDC stage is 5 nanoseconds. Response time on 75 VDC stage is 100 nanoseconds. Resistance to ground is 7500 megohms minimum. Grounding is through a 1/4" lug to a 20 ft insulated #10 AWG ground wire(included). Two nylon strain reliefs for 0.187"-0.312" dia cable. Chemically resistant PVC enclosure is gasketed NEMA 1,2,3 and 11 intended for indoor and outdoor service. It is not NEMA 4 (washdown) or NEMA 6 (submersion). Call for prices on other enclosures. 4"W x 4"D x 2.5"H, 1.4 lb.

| Part Number                                | Weight | SKU  | List      |
|--|--------|------|-----------|
| LCP-1 load cell transient protector 4 wire | 2 lb   | 1957 | \$ 205.00 |
| LCP-2 load cell transient protector 6 wire | 2 lb   | 1752 | 234.00    |



Prices are subject to change without notice. Please call for current prices.

Other items are available from the manufacturers, please call for quote.

13-01 Pollitt Dr Ext  
Fair Lawn NJ 07410  
201-797-2718

**Totalcomp**  
Components

www.totalcomp.com  
sales@totalcomp.com  
Fax 201-797-2287

295



**PW3110 550va UPS**

## Powerware Uninterruptible Power Supply

Powerware PW3110 UPS offers basic protection in a sleek unit that easily fits under a desk or mounts on a wall. An internal battery gives continuous power to an inverter that converts DC to AC. The battery is kept fully charged by a built-in charger under normal conditions. If power is interrupted due to spikes, electrical noise, harmonic power distortion, under voltage and blackouts, the battery and inverter continue to provide clean power. User replaceable battery provides easy maintenance and upkeep. Capacity is 550 VA. Reserve time is 3 minutes at full load, and 6 minutes at half load. Transfer time is 6ms. Recharge time is 8 hours. 6 ft line cord for 120 VAC 50/60 Hz, (4) receptacles with UPS & Surge protection and (2) receptacles with surge protection only NEMA 5-15R. 2.3"W x 15.5"D x 5.9"H.

| Part Number      | Output Power | Weight | SKU  | List     |
|------------------|--------------|--------|------|----------|
| PW3110 550VA UPS | 425VA        | 12 lb  | 1402 | \$ 53.00 |



**LC 1200**



**LS 606M  
Front View**

## Line Conditioner - Tripp Lite

Brownout protection and surge suppression in a single cost effective unit. Line conditioner will automatically adjust under and over voltages from 87 to 140 volts AC. This keeps you working through brownouts and prolonged over voltages. LC604 has indicator lights for TRIM, NORMAL, BOOST. LC1200 has indicator lights for VERY HIGH, HIGH, NORM, LOW, VERY LOW, LINE FAULT, LINE OK.

6 ft line cord for 120 VAC 60 Hz, (4) receptacles NEMA 5-15R. 2 year warranty.

LS604: 4-3/8" x 5-1/4" x 5-3/4"H

LC1200: 5-3/4" x 6-3/4" x 6-3/4"H

| Part Number             | Output Power | Weight | SKU  | List      |
|-------------------------|--------------|--------|------|-----------|
| LS606M line conditioner | 600 watts    | 6 lb   | 4090 | \$ 257.00 |
| LC1200 line conditioner | 1200 watts   | 10 lb  | 4091 | 325.00    |



**LS 606M  
Rear view**



**EM2025  
Bonding Braid**

## Bonding Braid (Ground Strap)

A flat woven braid of tinned-copper strands 7/16" wide. Bonding braid is equivalent to a solid #6 AWG copper conductor. It has 1/2" eyelets (1/4" I.D.) every 3 inches eliminating the need for punching holes. Bonding braid will provide a parallel path for high current around a load cell installation. It offers additional protection when welding or in areas of lightning activity. Connects top and bottom mounting plates in compression assemblies. Also used to shunt load cell and linkage in tension mounting.

| Part Number | Length | Weight | SKU | List     |
|-------------|--------|--------|-----|----------|
| EM2025-15   | 15"    | 1 lb   | 967 | \$ 31.03 |
| EM2025-21   | 21"    | 1 lb   | 968 | 44.31    |

**TS-101 Transducer Simulator**

TS-101: Ultra high impact structural copolymer. Unbreakable, watertight, dustproof, chemical resistant and corrosion proof. Designed for 0.05% high accuracy testing and calibrating digital weight indicators. Ideal for setpoint, batching, or regular high accuracy simulation. 3 operation modes include load cell input selection of 1.75, 2.0, 3.0 mv/V. 0, 10, 20, 30, 40, 50, 60, 70, 80, 90, 100% 11 position calibration knob. 10 turn zero potentiometer. 5 position binding posts for banana plugs or timed wires. Zero adjustment capability for dead load or adjustment between steps. Built in digital volt meter for excitation voltage. 1/4" neoprene o-ring and ABS latches seal perfectly and includes an automatic purge valve for quick equalization after changes in atmospheric pressure. Floats in salt water with 7.05 lbs load. 20 VDC.  
 Box size 7 3/8" x 4 7/8" x 3 1/16"

| Part Number      | Weight | SKU  | List      |
|------------------|--------|------|-----------|
| TS-101 Simulator | 4 lb   | 4113 | \$ 729.00 |



**TS-101 Simulator**

Test

Prices are subject to change without notice. Please call for current prices.

Other items are available from the manufacturers, please call for quote.

13-01 Pollitt Dr Ext  
 Fair Lawn NJ 07410  
 201-797-2718



www.totalcomp.com  
 sales@totalcomp.com  
 Fax 201-797-2287

## Analog Load Cell Testing Procedure

1. Using an ohm meter, measure the following resistances on the load cell cable.

- |           |              |
|-----------|--------------|
| A. INPUT  | +EX to -EX   |
| B. OUTPUT | +SIG to -SIG |
| C.        | +EX to +SIG  |
| D.        | +EX to -SIG  |
| E.        | -EX to +SIG  |
| F.        | -EX to -SIG  |

The input and output resistance should match the manufacturer's specs. The other resistance readings should all be the same and approximately 75% of the input or output resistance.

2. Using an ohm meter, measure the following resistance

- A. All leads to case.
- B. All leads to shield.

The resistance should be greater than 5,000 meg ohms. If it is less, there is a chance for signal loss due to leakage to ground. Low resistance usually indicates water in the cable.

3. Using a digital test meter, measure the following load conditions.

- A. Unloaded.
- B. 2 or 3 test loads.

Unloaded reading should be within manufacturers specs, usually 1% of output.

4. If meter goes into over range, then use voltmeter and measure the following voltages.

- A. +EX to -EX (volts)
- B. +SIG to -EX (volts)
- C. -SIG to -EX (volts)
- D. +SIG to -SIG (millivolts)

The D reading should be equal to "B" - "C".

Calculate percent of output voltage with the following:

$$\frac{\text{Actual zero output}}{\text{Full scale output}} = \frac{\text{"D"} \times 100}{\text{"A"} \times \text{mv/V}} = \% \text{ output}$$

## Transducer Simulator

Simulators are used to test indicators by temporarily substituting for the load cell. The indicator can be checked that it works correctly at various loads. The switches and potentiometers on the transducer simulator are set to the desired output signal. The indicator should display a weight that corresponds to the settings on the simulator.

The simulators with "V" in the part number have a Variable potentiometer for smoothly setting the output between steps of the multiple position switch.

The simulators with variable potentiometers can be used to check set point relay operation on indicators used with batching systems.

The range of the simulator is 0 to 2 mv/V or 0 to 3 mv/V depending in the model selected. The excitation voltage can be from 0 to 20 VDC or VAC.

Wires terminate at screw type binding posts. ABS thermoplastic case.

| Part Number  | Size         | Weight | SKU  | List      |
|--|--------------|--------|------|-----------|
| TS-0V Simulator, 0-3mv/V<br>Variable 10 turn potentiometer<br>No switch  | 3"x2"x2.25"H | 1 lb   | 2449 | \$ 175.00 |
| TS-6 Simulator, 0-2 mv/V<br>6 position switch<br>0.0, 0.4, 0.8, 1.2, 1.6, 2.0 mv/V<br>No potentiometer   | 3"x2"x2.25"H | 1 lb   | 2451 | 371.00    |
| TS-7 Simulator, 0-3 mv/V<br>7 position switch<br>0.0, 0.5, 1.0, 1.5, 2.0, 2.5, 3.0 mv/V  | 3"x2"x2.25"H | 1 lb   | 3566 | 371.00    |
| TS-16 Simulator, 0-3 mv/V<br>16 position switch<br>0.0, 0.2, 0.4, 0.6, 0.8, 1.0, 1.2, 1.4, 1.6, 1.8, 2.0, 2.2, 2.4, 2.6, 2.8, 3.0 mv/V<br>No potentiometer   | 5"x3"x3.12"H | 2 lb   | 2452 | 714.00    |
| TS-16V Simulator, 0-3 mv/V<br>16 position switch<br>0.0, 0.2, 0.4, 0.6, 0.8, 1.0, 1.2, 1.4, 1.6, 1.8, 2.0, 2.2, 2.4, 2.6, 2.8, 3.0 mv/V<br>Variable 10 turn potentiometer for setting between steps. | 6"x3"x2.75"H | 2 lb   | 2453 | 828.00    |



TS-0V



TS-6



TS-7



TS-16



TS-16V

Test

Prices are subject to change without notice. Please call for current prices.

Other items are available from the manufacturers, please call for quote.

13-01 Pollitt Dr Ext  
Fair Lawn NJ 07410  
201-797-2718

 **Totalcomp**  
Components

www.totalcomp.com  
sales@totalcomp.com  
Fax 201-797-2287



TS-8V Simulator

## TS-8V Transducer Simulator

ABS plastic case with lid. Face plate 1/8" aluminum. Fixed rotary switch: -0.5, 0, 0.5, 1.0, 1.5, 2.0, 2.5, 3.0 mv/v in 8 steps. 10 turn potentiometer for adjusting dead load and adjustment between steps. 4 banana jacks (red, black, green, white) color coded. In/out switch for 10 turn potentiometer. Excitation voltage up to 20 VDC/VAC.

| Part Number     | Weight | SKU  | List      |
|-----------------|--------|------|-----------|
| TS-8V Simulator | 1 lb   | 2407 | \$ 449.00 |

### Service Parts

|                  |      |    |       |
|------------------|------|----|-------|
| Replacement Case | 1 lb | 81 | 35.00 |
|------------------|------|----|-------|

## TS-350 & DTR-304

Service parts only for TS-350 transducer simulator

| Part Number      | Weight | SKU | List     |
|------------------|--------|-----|----------|
| Replacement case | 1 lb   | 81  | \$ 35.00 |



New

Test

**Auto Cal System Totalcomp**

Automatic Calibration System will make your hopper and tank scales accurate and precise. Test weights are applied automatically with the flip of a switch.

Scale accuracy can be checked as often as necessary to assure precise weight readings.

Calibration is simplified with the Totalcomp Auto Cal System. Eliminate time consuming lifting and placing of weights on your hopper or tank scale. No more endless placement of weight on and off to check zero return. Easily check repeatability of scale readings by quickly adding and removing calibrated test weights on your scale.

The system includes chrome plated steel test weights, brackets for mounting on the legs of the hopper or tank, clevis for attaching to test weights, lifting mechanism, control cables, control boxes, switch enclosure with one switch per lifter.

Weights can be easily applied to each load cell individually to ensure the correct weight reading on the weight indicator.

Each weight lifting assembly has (4) leveling feet and bubble level to ensure adequate clearance when the weight is lifted off the scale.

Power: 100-240 VAC

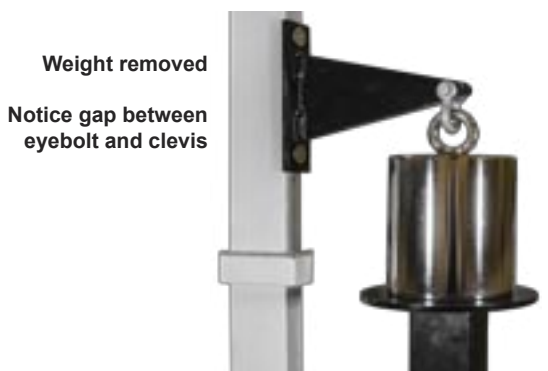
| Part Number                            | Weights | Qty | Each  | Shipping | SKU  | List        |
|--|---------|-----|-------|----------|------|-------------|
| <b>Tanks with (3) load cells</b>       |         |     |       |          |      |             |
| TAC3-150                               | 150     | 3   | 50 lb | 180 lb   | 8336 | \$ 3,061.00 |
| <b>Tanks with (4) load cells</b>       |         |     |       |          |      |             |
| TAC4-200                               | 200     | 4   | 50 lb | 240 lb   | 8341 | 3,759.00    |
| <b>Service Parts</b>                   |         |     |       |          |      |             |
| 50 lb cylindrical weight w/eyebolt     |         |     |       | 52 lb    | 8346 | 260.00      |
| 6.00"dia, 6.75"H, 9.25" overall height |         |     |       |          |      |             |



Auto Cal System (4) load cells



Weight applied  
Notice gap between weight and lifter



Weight removed  
Notice gap between eyebolt and clevis

Test

Prices are subject to change without notice. Please call for current prices.

Other items are available from the manufacturers, please call for quote.

13-01 Pollitt Dr Ext  
Fair Lawn NJ 07410  
201-797-2718



www.totalcomp.com  
sales@totalcomp.com  
Fax 201-797-2287



**LC-II  
Tester Calibrator**

## LC-II Calibrator Tester Vishay

Portable. Versatile load cell calibrator with multiple functions. 5 digit LCD display. Display, test, simulate and source all in one unit. Units for grams, newtons, ton, kilograms. Show mass, force, strain, torque; set mV/V, range, decimal point, units; zero and span trim; select tare, peak hold. SD card for data logging. USB computer connection. On screen user manual. Carrying case, charger and leads included.

**Load cell Display Function:** Show mass, force, strain, or torque from load cells; set mV/V, range, decimal point, and units; zero and span trim; select tare, peak hold.

**Test Load Cell Function:** Connect the load cell leads to spring terminals and get a read-out of 4- or 6-wire, zero balance, input and output resistance, bridge balance, etc.

**Test Insulation Function:** Connect the leads to screen, housing, and gage to get a 50V insulation test between each in megohms.

**Measurement Function:** Show mV output, excitation voltage, mA outputs for systems, etc.

**Source Function:** High accuracy mV injection and mA output for workshop or field calibration of amplifiers and indicators.

**Convert Function:** Change between different mass units; grams, Newtons, ton, kilograms, etc.

| Part Number                           | Weight | SKU  | Price   |
|---------------------------------------|--------|------|---------|
| LC-II Load cell tester and calibrator | 1 lb   | 1506 | \$ List |





# TROEMNER

## Troemner Calibration Weights and Weight Sets

For over 160 years, Troemner has provided an extensive selection of precision weights and calibration services. Today Troemner is an ISO 9001 registered company and one of the world's leading suppliers of precision weights and mass standards. We manufacture and certify weights to meet or exceed the highest tolerance standards of the National Institute of Standards & Technology (NIST), the American Society for Testing & Materials (ASTM) and the International Organization of Legal Metrology (OIML).

### Selecting the proper weight certification

**Traceable Calibration Certificate** is designed for those laboratories and companies that require NIST traceability but are not required to meet any stringent audit or regulatory requirements.

**NIST/NVLAP Weight Calibration Certificate** - our most detailed certificate designed to meet your most stringent regulatory and quality control needs including all ISO, FDA, GMP, GLP, DOD, ANSI/NCSL, Z540-1 and Nuclear requirements. All procedures and processes used to generate this multi page certificate as well as its format and content are prescribed by the NIST administered National Voluntary Laboratory Accreditation Program.

The document contains: customer name, address, date of calibration, equipment and standards used in calibration, accuracy class, true mass (mass in a vacuum), "as found" mass correction (for recalibration), "as left" mass corrections for each weight, uncertainty of measurement process for each weight, environmental conditions during test, construction and density of weights, calibration procedures used, statement of traceability to NIST and a helpful list of terms and definitions.

### Selecting the proper weight class

#### Accuracy Classes

##### **Extra Fine**

ANSI/ASTM Class 0  
Troemner Ultra Class™  
ANSI/ASTM Class 1

##### **Use**

Calibrate weights and special precision analytical balances, NTEP Legal for Trade Class I

##### **Fine**

ANSI/ASTM Class 2

##### **Use**

Calibrate NTEP Class II balances

ANSI/ASTM Class 3

Working standards for precision and analytical work. External weights to calibrate moderate precision balances

##### **Medium**

ANSI/ASTM Class 4  
ANSI/ASTM Class 5  
ANSI/ASTM Class 6  
NIST Class F

##### **Use**

Calibrate NTEP Class III scales, dial scales, trip balances platform scales including NTEP class III and IV

**ASTM Class 6** specifications and tolerances are in NIST Handbook 105-1.

These specifications and tolerances are intended to set forth minimum requirements used:

1. In the field by state and local weights and measures officials in the examination of weighing and measuring devices used in commerce.
2. By device installers and servicemen.
3. As reference standards in state weights and measures laboratories.
4. In industrial, educational and research laboratories.

Federal Grain Inspection Service approved laboratory.

**ANSI** - American National Standards Institute

**ASTM** - American Society for Testing and Materials

**NIST** - National Institute of Standards and Technology

**NTEP** - Nation Type Evaluation Program

**OIML** - Organization International Metrological Legal

Prices are subject to change without notice. Please call for current prices.

Other items are available from the manufacturers, please call for quote.

13-01 Pollitt Dr Ext  
Fair Lawn NJ 07410  
201-797-2718

  
Components

www.totalcomp.com  
sales@totalcomp.com  
Fax 201-797-2287



# TROEMNER



**Stainless Steel  
Grip handle**

## Metric

### Individual stainless steel weights ASTM Class 6

Grip handle stainless steel weight.

| Part No. | Weight | Diameter | Height | Ship Wt | SKU  | List      |
|----------|--------|----------|--------|---------|------|-----------|
| 1370     | 5 kg   | 4.98"    | 3.08"  | 12 lb   | 4998 | \$ 463.00 |
| 1371     | 8 kg   | 4.98"    | 4.27"  | 19 lb   | 4999 | 745.00    |
| 1372     | 10 kg  | 4.98"    | 5.09"  | 21 lb   | 5000 | 789.00    |
| 1373     | 16 kg  | 5.98"    | 5.20"  | 36 lb   | 5001 | 1,068.00  |
| 1374     | 20 kg  | 5.98"    | 6.31"  | 46 lb   | 5002 | 1,088.00  |
| 1375     | 24 kg  | 5.98"    | 7.69"  | 55 lb   | 5003 | 1,341.00  |
| 1376     | 25 kg  | 5.98"    | 7.70"  | 57 lb   | 5004 | 1,295.00  |
| 1378     | 30 kg  | 5.98"    | 9.06"  | 68 lb   | 5005 | 1,613.00  |

Grip handle stainless steel weight with **Traceable Certificate**

| Part No. | Weight | Diameter | Height | Ship Wt | SKU  | List      |
|----------|--------|----------|--------|---------|------|-----------|
| 1370T    | 5 kg   | 4.98"    | 3.08"  | 12 lb   | 5006 | \$ 508.00 |
| 1371T    | 8 kg   | 4.98"    | 4.27"  | 19 lb   | 5007 | 823.00    |
| 1372T    | 10 kg  | 4.98"    | 5.09"  | 21 lb   | 5008 | 870.00    |
| 1373T    | 16 kg  | 5.98"    | 5.20"  | 36 lb   | 5009 | 1,201.00  |
| 1374T    | 20 kg  | 5.98"    | 6.31"  | 46 lb   | 5010 | 1,225.00  |
| 1375T    | 24 kg  | 5.98"    | 7.69"  | 55 lb   | 5011 | 1,528.00  |
| 1376T    | 25 kg  | 5.98"    | 7.70"  | 57 lb   | 5012 | 1,369.00  |
| 1378T    | 30 kg  | 5.98"    | 9.06"  | 68 lb   | 5013 | 1,761.00  |

Grip handle stainless steel weight with **NVLAP Certificate**

| Part No. | Weight | Diameter | Height | Ship Wt | SKU  | List      |
|----------|--------|----------|--------|---------|------|-----------|
| 1370W    | 5 kg   | 4.98"    | 3.08"  | 12 lb   | 5014 | \$ 618.00 |
| 1371W    | 8 kg   | 4.98"    | 4.27"  | 19 lb   | 5015 | 899.00    |
| 1372W    | 10 kg  | 4.98"    | 5.09"  | 21 lb   | 5016 | 924.00    |
| 1373W    | 16 kg  | 5.98"    | 5.20"  | 36 lb   | 5017 | 1,283.00  |
| 1374W    | 20 kg  | 5.98"    | 6.31"  | 46 lb   | 5018 | 1,295.00  |
| 1375W    | 24 kg  | 5.98"    | 7.69"  | 55 lb   | 5019 | 1,614.00  |
| 1376W    | 25 kg  | 5.98"    | 7.70"  | 57 lb   | 5020 | 1,524.00  |
| 1378W    | 30 kg  | 5.98"    | 9.06"  | 68 lb   | 5021 | 1,792.00  |



# TROEMNER

## Avoirdupois

### Individual stainless steel weights ASTM Class 6

Grip handle stainless steel weight.

| Part No. | Weight | Diameter | Height | Ship Wt | SKU  | List      |
|----------|--------|----------|--------|---------|------|-----------|
| 1270     | 10 lb  | 4.98"    | 2.90"  | 11 lb   | 5022 | \$ 441.00 |
| 1272     | 20 lb  | 4.98"    | 4.72"  | 21 lb   | 5023 | 723.00    |
| 1274     | 25 lb  | 5.98"    | 3.90"  | 26 lb   | 5024 | 798.00    |
| 1275     | 30 lb  | 5.98"    | 4.52"  | 32 lb   | 5025 | 941.00    |
| 1276     | 50 lb  | 5.98"    | 7.05"  | 52 lb   | 5026 | 1,202.00  |

Grip handle stainless steel weight with **Traceable Certificate**

| Part No. | Weight | Diameter | Height | Ship Wt | SKU  | List      |
|----------|--------|----------|--------|---------|------|-----------|
| 1270T    | 10 lb  | 4.98"    | 2.90"  | 11 lb   | 5027 | \$ 613.00 |
| 1272T    | 20 lb  | 4.98"    | 4.72"  | 21 lb   | 5028 | 786.00    |
| 1274T    | 25 lb  | 5.98"    | 3.90"  | 26 lb   | 5029 | 775.00    |
| 1275T    | 30 lb  | 5.98"    | 4.52"  | 32 lb   | 5030 | 1,012.00  |
| 1276T    | 50 lb  | 5.98"    | 7.05"  | 52 lb   | 5031 | 1,287.00  |

Grip handle stainless steel weight with **NVLAP Certificate**

| Part No. | Weight | Diameter | Height | Ship Wt | SKU  | List      |
|----------|--------|----------|--------|---------|------|-----------|
| 1270W    | 10 lb  | 4.98"    | 2.90"  | 11 lb   | 5032 | \$ 751.00 |
| 1272W    | 20 lb  | 4.98"    | 4.72"  | 21 lb   | 5033 | 882.00    |
| 1274W    | 25 lb  | 5.98"    | 3.90"  | 26 lb   | 5034 | 970.00    |
| 1275W    | 30 lb  | 5.98"    | 4.52"  | 32 lb   | 5035 | 1,092.00  |
| 1276W    | 50 lb  | 5.98"    | 7.05"  | 52 lb   | 5036 | 1,525.00  |



**Stainless Steel  
Grip handle**

Prices are subject to change without notice. Please call for current prices.

Other items are available from the manufacturers, please call for quote.

13-01 Pollitt Dr Ext  
Fair Lawn NJ 07410  
201-797-2718

  
Components

www.totalcomp.com  
sales@totalcomp.com  
Fax 201-797-2287



## TROEMNER

### Heavy Capacity & Grip Handle Cast Iron Test Weights ASTM Class 6



**Metric  
Cast Iron  
Weights**

#### Metric

Grip handle cast iron weight.

| Part # | Weight   | Width   | Length  | Height  | Ship Wt  | SKU  | List      |
|--------|----------|---------|---------|---------|----------|------|-----------|
| 9278   | 2 kg     | 2-1/2"  | 3-7/8"  | 2-3/4"  | 5 lb     | 1188 | \$ 95.00  |
| 9280 * | 5 kg     | 3-1/4"  | 5-3/8"  | 3-7/8"  | 12 lb    | 821  | 110.00    |
| 9282   | 10 kg    | 4-5/8"  | 6-3/16" | 5"      | 23 lb    | 820  | 182.00    |
| 9284   | 20 kg    | 5-1/2"  | 7-5/8"  | 5-7/8"  | 45 lb    | 819  | 189.00    |
| 9286   | 25 kg    | 5-9/16" | 7-3/4"  | 6-3/4"  | 54 lb    | 818  | 254.00    |
| 9288   | 50 kg    | 7-5/16" | 9"      | 8-1/4"  | 113 lb   | 817  | 745.00    |
| 9289   | 100 kg   | 9-1/2"  | 9-1/2"  | 10-1/2" | 225 lb   | 816  | 1,694.00  |
| 9290   | 200 kg   | 12-3/4" | 12-1/4" | 12"     | 450 lb   | 815  | 4,197.00  |
| 9291   | 250 kg   | 12-3/4" | 12-1/4" | 14-3/4" | 540 lb   | 814  | 3,019.00  |
| 9292   | 500 kg   | 14-3/4" | 14-5/8" | 20-3/4" | 1,125 lb | 813  | 5,307.00  |
| 9294   | 1,000 kg | 20-5/8" | 20-1/4" | 21-5/8" | 2,250 lb | 812  | 16,081.00 |

Grip handle cast iron weight with **Traceable Certificate**

| Part #  | Weight   | Width   | Length  | Height  | Ship Wt  | SKU  | List      |
|---------|----------|---------|---------|---------|----------|------|-----------|
| 9278T   | 2 kg     | 2-1/2"  | 3-7/8"  | 2-3/4"  | 5 lb     | 1189 | \$ 151.00 |
| 9280T * | 5 kg     | 3-1/4"  | 5-3/8"  | 3-7/8"  | 12 lb    | 5037 | 174.00    |
| 9282T   | 10 kg    | 4-5/8"  | 6-3/16" | 5"      | 23 lb    | 5038 | 218.00    |
| 9284T   | 20 kg    | 5-1/2"  | 7-5/8"  | 5-7/8"  | 45 lb    | 5039 | 281.00    |
| 9286T   | 25 kg    | 5-9/16" | 7-3/4"  | 6-3/4"  | 54 lb    | 5040 | 351.00    |
| 9288T   | 50 kg    | 7-5/16" | 9"      | 8-1/4"  | 113 lb   | 5041 | 1,024.00  |
| 9289T   | 100 kg   | 9-1/2"  | 9-1/2"  | 10-1/2" | 225 lb   | 5042 | 2,117.00  |
| 9290T   | 200 kg   | 12-3/4" | 12-1/4" | 12"     | 450 lb   | 5043 | 4,518.00  |
| 9291T   | 250 kg   | 12-3/4" | 12-1/4" | 14-3/4" | 540 lb   | 5044 | 3,341.00  |
| 9292T   | 500 kg   | 14-3/4" | 14-5/8" | 20-3/4" | 1,125 lb | 5045 | 5,856.00  |
| 9294T   | 1,000 kg | 20-5/8" | 20-1/4" | 21-5/8" | 2,250 lb | 5046 | 16,580.00 |

Grip handle cast iron weight with **NVLAP Certificate**

| Part #  | Weight   | Width   | Length  | Height  | Ship Wt  | SKU  | List      |
|---------|----------|---------|---------|---------|----------|------|-----------|
| 9278W   | 2 kg     | 2-1/2"  | 3-7/8"  | 2-3/4"  | 5 lb     | 1190 | \$ 196.00 |
| 9280W * | 5 kg     | 3-1/4"  | 5-3/8"  | 3-7/8"  | 12 lb    | 5047 | 217.00    |
| 9282W   | 10 kg    | 4-5/8"  | 6-3/16" | 5"      | 23 lb    | 5048 | 276.00    |
| 9284W   | 20 kg    | 5-1/2"  | 7-5/8"  | 5-7/8"  | 45 lb    | 5049 | 343.00    |
| 9286W   | 25 kg    | 5-9/16" | 7-3/4"  | 6-3/4"  | 54 lb    | 5050 | 408.00    |
| 9288W   | 50 kg    | 7-5/16" | 9"      | 8-1/4"  | 113 lb   | 5051 | 1,086.00  |
| 9289W   | 100 kg   | 9-1/2"  | 9-1/2"  | 10-1/2" | 225 lb   | 5052 | 2,245.00  |
| 9290W   | 200 kg   | 12-3/4" | 12-1/4" | 12"     | 450 lb   | 5053 | 4,649.00  |
| 9291W   | 250 kg   | 12-3/4" | 12-1/4" | 14-3/4" | 540 lb   | 5054 | 3,471.00  |
| 9292W   | 500 kg   | 14-3/4" | 14-5/8" | 20-3/4" | 1,125 lb | 5055 | 6,215.00  |
| 9294W   | 1,000 kg | 20-5/8" | 20-1/4" | 21-5/8" | 2,250 lb | 5056 | 16,906.00 |

\* Not for Legal for Trade applications.

NIST HB105-1 2. Finish 2.2

"A weight 5 kg/10 lb or less shall not have a surface coating."

For Legal for Trade weights 5kg and below, refer to Class F stainless steel weights.

NIST Class "F" specifications and tolerances are listed in NIST Handbook 105-1.

These specifications and tolerances are intended to set forth minimum requirements used:

1. In the field by state and local weights and measures officials in the examination of weighing and measuring devices used in commerce.
2. By device installers and servicemen.
3. As reference standards in state weights and measures laboratories.
4. In industrial, educational and research laboratories.

Federal Grain Inspection Service approved laboratory.



# TROEMNER

## Heavy Capacity & Grip Handle Cast Iron Test Weights ASTM Class 6

### Avoirdupois

Grip handle cast iron weight.

| Part # | Weight   | Width    | Length   | Height   | Ship Wt  | SKU | List      |
|--------|----------|----------|----------|----------|----------|-----|-----------|
| 9072 * | 5 lb     | 2-3/8"   | 3-7/8"   | 3-1/8"   | 6 lb     | 811 | \$ 75.00  |
| 9074 * | 10 lb    | 3-1/4"   | 5-3/8"   | 3-9/16"  | 11 lb    | 810 | 98.00     |
| 9076   | 20 lb    | 4"       | 6-3/16"  | 5"       | 21 lb    | 809 | 125.00    |
| 9078   | 25 lb    | 4-3/4"   | 6-3/16"  | 5"       | 26 lb    | 808 | 155.00    |
| 9080   | 50 lb    | 5-9/16"  | 8"       | 6-3/8"   | 51 lb    | 807 | 315.00    |
| 9082   | 100 lb   | 7-3/8"   | 9-1/8"   | 7-9/16"  | 101 lb   | 806 | 976.00    |
| 9083   | 200 lb   | 9-9/16"  | 9-3/16"  | 9-13/16" | 200 lb   | 805 | 1,675.00  |
| 9084   | 500 lb   | 12-3/4"  | 12-3/8"  | 13-1/2"  | 500 lb   | 804 | 2,362.00  |
| 9086   | 1,000 lb | 14-3/4"  | 14-5/8"  | 19"      | 1,000 lb | 803 | 4,617.00  |
| 9087   | 2,000 lb | 20-3/8"  | 20-5/8"  | 19-7/8"  | 2,000 lb | 802 | 8,903.00  |
| 9088   | 2,500 lb | 20-3/8"  | 20-3/8"  | 24-1/2"  | 2,500 lb | 801 | 11,104.00 |
| 9090   | 3,000 lb | 20-3/16" | 20-5/16" | 29-1/2"  | 3,000 lb | 800 | 14,094.00 |

Grip handle cast iron weight with **Traceable Certificate**

| Part #  | Weight   | Width    | Length   | Height   | Ship Wt  | SKU  | List      |
|---------|----------|----------|----------|----------|----------|------|-----------|
| 9072T * | 5 lb     | 2-3/8"   | 3-7/8"   | 3-1/8"   | 6 lb     | 5057 | \$ 143.00 |
| 9074T * | 10 lb    | 3-1/4"   | 5-3/8"   | 3-9/16"  | 11 lb    | 5058 | 162.00    |
| 9076T   | 20 lb    | 4"       | 6-3/16"  | 5"       | 21 lb    | 5059 | 198.00    |
| 9078T   | 25 lb    | 4-3/4"   | 6-3/16"  | 5"       | 26 lb    | 5060 | 240.00    |
| 9080T   | 50 lb    | 5-9/16"  | 8"       | 6-3/8"   | 51 lb    | 5061 | 493.00    |
| 9082T   | 100 lb   | 7-3/8"   | 9-1/8"   | 7-9/16"  | 101 lb   | 5062 | 1,167.00  |
| 9083T   | 200 lb   | 9-9/16"  | 9-3/16"  | 9-13/16" | 200 lb   | 5063 | 2,076.00  |
| 9084T   | 500 lb   | 12-3/4"  | 12-3/8"  | 13-1/2"  | 500 lb   | 5064 | 2,809.00  |
| 9086T   | 1,000 lb | 14-3/4"  | 14-5/8"  | 19"      | 1,000 lb | 5065 | 5,166.00  |
| 9087T   | 2,000 lb | 20-3/8"  | 20-5/8"  | 19-7/8"  | 2,000 lb | 5066 | 9,452.00  |
| 9088T   | 2,500 lb | 20-3/8"  | 20-3/8"  | 24-1/2"  | 2,500 lb | 5067 | 11,654.00 |
| 9090T   | 3,000 lb | 20-3/16" | 20-5/16" | 29-1/2"  | 3,000 lb | 5068 | 14,644.00 |

Grip handle cast iron weight with **NVLAP Certificate**

| Part #  | Weight   | Width    | Length   | Height   | Ship Wt  | SKU  | List      |
|---------|----------|----------|----------|----------|----------|------|-----------|
| 9072W * | 5 lb     | 2-3/8"   | 3-7/8"   | 3-1/8"   | 6 lb     | 5070 | \$ 184.00 |
| 9074W * | 10 lb    | 3-1/4"   | 5-3/8"   | 3-9/16"  | 11 lb    | 5071 | 216.00    |
| 9076W   | 20 lb    | 4"       | 6-3/16"  | 5"       | 21 lb    | 5072 | 245.00    |
| 9078W   | 25 lb    | 4-3/4"   | 6-3/16"  | 5"       | 26 lb    | 5073 | 259.00    |
| 9080W   | 50 lb    | 5-9/16"  | 8"       | 6-3/8"   | 51 lb    | 5074 | 523.00    |
| 9082W   | 100 lb   | 7-3/8"   | 9-1/8"   | 7-9/16"  | 101 lb   | 5075 | 1,200.00  |
| 9083W   | 200 lb   | 9-9/16"  | 9-3/16"  | 9-13/16" | 200 lb   | 5076 | 2,203.00  |
| 9084W   | 500 lb   | 12-3/4"  | 12-3/8"  | 13-1/2"  | 500 lb   | 5077 | 2,935.00  |
| 9086W   | 1,000 lb | 14-3/4"  | 14-5/8"  | 19"      | 1,000 lb | 5078 | 5,525.00  |
| 9087W   | 2,000 lb | 20-3/8"  | 20-5/8"  | 19-7/8"  | 2,000 lb | 5079 | 9,811.00  |
| 9088W   | 2,500 lb | 20-3/8"  | 20-3/8"  | 24-1/2"  | 2,500 lb | 5080 | 12,012.00 |
| 9090W   | 3,000 lb | 20-3/16" | 20-5/16" | 29-1/2"  | 3,000 lb | 5081 | 15,002.00 |

\* Not for Legal for Trade applications.

NIST HB105-1 2. Finish 2.2

"A weight 5 kg/10 lb or less shall not have a surface coating."

For Legal for Trade weights 10 lb and below, refer to Class F stainless steel weights.



**Avoirdupois  
Cast Iron  
Weights**

NIST Class "F" specifications and tolerances are listed in NIST Handbook 105-1.

These specifications and tolerances are intended to set forth minimum requirements used:

1. In the field by state and local weights and measures officials in the examination of weighing and measuring devices used in commerce.
2. By device installers and servicemen.
3. As reference standards in state weights and measures laboratories.
4. In industrial, educational and research laboratories.

Federal Grain Inspection Service approved laboratory.

Prices are subject to change without notice. Please call for current prices.

Other items are available from the manufacturers, please call for quote.

13-01 Pollitt Dr Ext  
Fair Lawn NJ 07410  
201-797-2718

**Totalcomp**  
Components

www.totalcomp.com  
sales@totalcomp.com  
Fax 201-797-2287



## TROEMNER



Stainless Steel Individual Weights

### Metric

#### Individual stainless steel weights ASTM Class 6

Cylindrical stainless steel satin finish.

| Part No. | Weight  | Diameter | Height | Ship Wt | SKU  | List     |
|----------|---------|----------|--------|---------|------|----------|
| 1334     | 1 g     | 0.20"    | 0.24"  | 1 lb    | 1436 | \$ 38.00 |
| 1332     | 2 g     | 0.28"    | 0.29"  | 1 lb    | 1435 | 38.00    |
| 1328     | 5 g     | 0.37"    | 0.38"  | 1 lb    | 1434 | 38.00    |
| 1326     | 10 g    | 0.42"    | 0.57"  | 1 lb    | 1433 | 46.00    |
| 1324     | 20 g    | 0.59"    | 0.60"  | 1 lb    | 1432 | 46.00    |
| 1320     | 50 g    | 0.74"    | 0.90"  | 1 lb    | 1431 | 51.00    |
| 1318     | 100 g   | 0.99"    | 1.03"  | 1 lb    | 1430 | 58.00    |
| 1316     | 200 g   | 1.24"    | 1.36"  | 1 lb    | 1429 | 63.00    |
| 1312     | 500 g   | 1.48"    | 2.35"  | 2 lb    | 1428 | 91.00    |
| 1310     | 1,000 g | 1.84"    | 2.98"  | 3 lb    | 1427 | 100.00   |
| 1308     | 2,000 g | 2.48"    | 3.32"  | 5 lb    | 1426 | 174.00   |
| 1302     | 5,000 g | 3.20"    | 4.90"  | 12 lb   | 1425 | 293.00   |

Cylindrical stainless steel satin finish with **Traceable Certificate**

| Part No. | Weight  | Diameter | Height | Ship Wt | SKU  | List      |
|----------|---------|----------|--------|---------|------|-----------|
| 1334T    | 1 g     | 0.20"    | 0.24"  | 1 lb    | 5083 | \$ 110.00 |
| 1332T    | 2 g     | 0.28"    | 0.29"  | 1 lb    | 5084 | 110.00    |
| 1328T    | 5 g     | 0.37"    | 0.38"  | 1 lb    | 5085 | 110.00    |
| 1326T    | 10 g    | 0.42"    | 0.57"  | 1 lb    | 5086 | 119.00    |
| 1324T    | 20 g    | 0.59"    | 0.60"  | 1 lb    | 5087 | 119.00    |
| 1320T    | 50 g    | 0.74"    | 0.90"  | 1 lb    | 5088 | 121.00    |
| 1318T    | 100 g   | 0.99"    | 1.03"  | 1 lb    | 5089 | 125.00    |
| 1316T    | 200 g   | 1.24"    | 1.36"  | 1 lb    | 5090 | 139.00    |
| 1312T    | 500 g   | 1.48"    | 2.35"  | 2 lb    | 5091 | 192.00    |
| 1310T    | 1,000 g | 1.84"    | 2.98"  | 3 lb    | 5092 | 207.00    |
| 1308T    | 2,000 g | 2.48"    | 3.32"  | 5 lb    | 5093 | 264.00    |
| 1302T    | 5,000 g | 3.20"    | 4.90"  | 12 lb   | 5094 | 355.00    |

Cylindrical stainless steel satin finish with **NVLAP Certificate**

| Part No. | Weight  | Diameter | Height | Ship Wt | SKU  | List      |
|----------|---------|----------|--------|---------|------|-----------|
| 1334W    | 1 g     | 0.20"    | 0.24"  | 1 lb    | 5095 | \$ 123.00 |
| 1332W    | 2 g     | 0.28"    | 0.29"  | 1 lb    | 5096 | 123.00    |
| 1328W    | 5 g     | 0.37"    | 0.38"  | 1 lb    | 5097 | 123.00    |
| 1326W    | 10 g    | 0.42"    | 0.57"  | 1 lb    | 5098 | 136.00    |
| 1324W    | 20 g    | 0.59"    | 0.60"  | 1 lb    | 5099 | 136.00    |
| 1320W    | 50 g    | 0.74"    | 0.90"  | 1 lb    | 5100 | 148.00    |
| 1318W    | 100 g   | 0.99"    | 1.03"  | 1 lb    | 5101 | 148.00    |
| 1316W    | 200 g   | 1.24"    | 1.36"  | 1 lb    | 5102 | 168.00    |
| 1312W    | 500 g   | 1.48"    | 2.35"  | 2 lb    | 5103 | 229.00    |
| 1310W    | 1,000 g | 1.84"    | 2.98"  | 3 lb    | 5104 | 243.00    |
| 1308W    | 2,000 g | 2.48"    | 3.32"  | 5 lb    | 5105 | 315.00    |
| 1302W    | 5,000 g | 3.20"    | 4.90"  | 12 lb   | 5106 | 433.00    |

Prices are subject to change without notice. Please call for current prices.

Other items are available from the manufacturers, please call for quote.



# TROEMNER

## Avoirdupois

### Individual stainless steel weights ASTM Class 6

Cylindrical stainless steel satin finish.

| Part No. | Weight | Diameter | Height | Ship Wt | SKU | List     |
|----------|--------|----------|--------|---------|-----|----------|
| 1222     | 1/2 oz | 0.50"    | 0.58"  | 1 lb    | 839 | \$ 49.00 |
| 1220     | 1 oz   | 0.61"    | 0.78"  | 1 lb    | 838 | 49.00    |
| 1217     | 2 oz   | 0.87"    | 0.90"  | 1 lb    | 837 | 52.00    |
| 1215     | 4 oz   | 0.99"    | 1.16"  | 1 lb    | 836 | 60.00    |
| 1213     | 8 oz   | 1.23"    | 1.55"  | 1 lb    | 835 | 66.00    |
| 1211     | 1 lb   | 1.48"    | 2.16"  | 1 lb    | 834 | 84.00    |
| 1209     | 2 lb   | 1.84"    | 2.71"  | 3 lb    | 833 | 116.00   |
| 1203     | 5 lb   | 2.48"    | 3.75"  | 6 lb    | 832 | 186.00   |
| 1201     | 10 lb  | 3.22"    | 4.42"  | 11 lb   | 831 | 288.00   |



Stainless Steel Individual Weights

Cylindrical stainless steel satin finish with **Traceable Certificate**

| Part No. | Weight | Diameter | Height | Ship Wt | SKU  | List      |
|----------|--------|----------|--------|---------|------|-----------|
| 1222T    | 1/2 oz | 0.50"    | 0.58"  | 1 lb    | 5107 | \$ 125.00 |
| 1220T    | 1 oz   | 0.61"    | 0.78"  | 1 lb    | 5108 | 125.00    |
| 1217T    | 2 oz   | 0.87"    | 0.90"  | 1 lb    | 5109 | 128.00    |
| 1215T    | 4 oz   | 0.99"    | 1.16"  | 1 lb    | 5110 | 132.00    |
| 1213T    | 8 oz   | 1.23"    | 1.55"  | 1 lb    | 5111 | 136.00    |
| 1211T    | 1 lb   | 1.48"    | 2.16"  | 1 lb    | 5112 | 208.00    |
| 1209T    | 2 lb   | 1.84"    | 2.71"  | 3 lb    | 5113 | 227.00    |
| 1203T    | 5 lb   | 2.48"    | 3.75"  | 6 lb    | 5114 | 290.00    |
| 1201T    | 10 lb  | 3.22"    | 4.42"  | 11 lb   | 5115 | 370.00    |

Cylindrical stainless steel satin finish with **NVLAP Certificate**

| Part No. | Weight | Diameter | Height | Ship Wt | SKU  | Price     |
|----------|--------|----------|--------|---------|------|-----------|
| 1222W    | 1/2 oz | 0.50"    | 0.58"  | 1 lb    | 5116 | \$ 148.00 |
| 1220W    | 1 oz   | 0.61"    | 0.78"  | 1 lb    | 5117 | 148.00    |
| 1217W    | 2 oz   | 0.87"    | 0.90"  | 1 lb    | 5118 | 155.00    |
| 1215W    | 4 oz   | 0.99"    | 1.16"  | 1 lb    | 5119 | 157.00    |
| 1213W    | 8 oz   | 1.23"    | 1.55"  | 1 lb    | 5120 | 168.00    |
| 1211W    | 1 lb   | 1.48"    | 2.16"  | 1 lb    | 5121 | 253.00    |
| 1209W    | 2 lb   | 1.84"    | 2.71"  | 3 lb    | 5122 | 274.00    |
| 1203W    | 5 lb   | 2.48"    | 3.75"  | 6 lb    | 5123 | 346.00    |
| 1201W    | 10 lb  | 3.22"    | 4.42"  | 11 lb   | 5124 | 442.00    |

Prices are subject to change without notice. Please call for current prices.

Other items are available from the manufacturers, please call for quote.



TPC  
Hard Case

## TPC Hard Cases - Totalcomp

TPC hard shell case is perfect for test weights, delicate tools and digital equipment. Case is watertight, dust proof and crush proof. Made of Ultra high impact Fiber Reinforced Polymer. Working Temp; -40 to 194 F. Fold down comfortable rubberized handles, ABS double throw latches, built in purge valve. Comes with pre-cubed interior foam for easy customization. Clear PVC front Tag-it yourself tag cover. Comes in three different sizes to accommodate a variety of test weight configurations.

| Part Number | Size           | Weight | SKU  | List      |
|-------------|----------------|--------|------|-----------|
| TPC11-8-7   | 11" x 8" x 7"  | 9 lb   | 6540 | \$ 109.00 |
| TPC12-9-5   | 12" x 9" x 5"  | 6 lb   | 6541 | 102.00    |
| TPC15-10-7  | 15" x 10" x 7" | 5 lb   | 6542 | 140.00    |





# TROEMNER

Troemner Test Weights are the highest quality available. They are backed by a reputation known throughout the industry. Troemner has years of experience in making precision weights. NIST Class "F" satin finish stainless steel. Heavy duty rugged case with steel reinforced corners. Foam insert keeps weights in place. Small weights are in a smaller leatherette case inside the large case.

### Metric ASTM Class 6

| Weight Set | Weight | SKU | List      |
|------------|--------|-----|-----------|
| TW-100-01  | 2 lb   | 824 | \$ 352.00 |
| TW-5000-01 | 31 lb  | 827 | 1,134.00  |

### Traceable Certificate

| Weight Set  | Weight | SKU  | List      |
|-------------|--------|------|-----------|
| TW-100-01T  | 2 lb   | 5125 | \$ 527.00 |
| TW-5000-01T | 31 lb  | 5126 | 1,250.00  |

### NVLAP Certificate

| Weight Set  | Weight | SKU  | List      |
|-------------|--------|------|-----------|
| TW-100-01W  | 2 lb   | 5127 | \$ 649.00 |
| TW-5000-01W | 31 lb  | 5128 | 1,513.00  |



### TW-100-01 set

|                       |         |
|-----------------------|---------|
| (1)                   | 1mg     |
| (2)                   | 2mg     |
| (1)                   | 5mg     |
| (1)                   | 10mg    |
| (2)                   | 20mg    |
| (1)                   | 50mg    |
| (1)                   | 100mg   |
| (2)                   | 200mg   |
| (1)                   | 500mg   |
| (1)                   | 1g      |
| (2)                   | 2g      |
| (1)                   | 5g      |
| (1)                   | 10g     |
| (2)                   | 20g     |
| (1)                   | 50g     |
| (1)                   | 100g    |
| Total                 | 211.11g |
| 4" x 2-7/8" x 1-1/4"h |         |



### TW-5000-01 set

|                            |               |
|----------------------------|---------------|
| (1)                        | TW-100-01 set |
| (2)                        | 200g          |
| (1)                        | 500g          |
| (1)                        | 1,000g        |
| (2)                        | 2,000g        |
| (1)                        | 5,000g        |
| Total                      | 11,111.11g    |
| 14-1/2" x 9-1/4" x 8-1/4"h |               |

Prices are subject to change without notice. Please call for current prices.

Other items are available from the manufacturers, please call for quote.

13-01 Pollitt Dr Ext  
Fair Lawn NJ 07410  
201-797-2718

 **Totalcomp**  
Components

www.totalcomp.com  
sales@totalcomp.com  
Fax 201-797-2287



# TROEMNER

Troemner Test Weights are the highest quality available. They are backed by a reputation known throughout the industry. Troemner has years of experience in making precision weights. NIST Class "F" satin finish stainless steel. Heavy duty rugged case with steel reinforced corners. Foam insert keeps weights in place. Small weights are in a smaller leatherette case inside the large case.



**TW-15 Decimal set**

**TW-15 Decimal set**

- (1) 0.001 lb
- (2) 0.002 lb
- (1) 0.005 lb
- (1) 0.01 lb
- (2) 0.02 lb
- (1) 0.05 lb
- (1) 0.1 lb
- (2) 0.2 lb
- Total 0.610 lb

4"x2-7/8"x1-1/4"



**TW-30 Fraction set**

**TW-30 Fraction set**

- (2) 1/32 oz
- (1) 1/16 oz
- (1) 1/8 oz
- (1) 1/4 oz
- (1) 1/2 oz
- (1) 1 oz
- (1) 2 oz
- (1) 4 oz
- Total 8 oz

4-1/4"x2-1/4"x1-1/4"h

### Avoirdupois ASTM Class 6

| Weight Set                                    | Total    | Weight | SKU | List      |
|---|----------|--------|-----|-----------|
| TW-15 Decimal set                             | 0.61 lb  | 1 lb   | 276 | \$ 303.00 |
| TW-30 Fraction set                            | 8 oz     | 1 lb   | 828 | 282.00    |
| TW-50 Fraction set                            | 31.00 lb | 38 lb  | 829 | 1,504.00  |
| TW-50D Decimal set                            | 31.11 lb | 38 lb  | 277 | 1,528.00  |
| TW-50COMBO Combination Fraction & Decimal set | 31.61 lb | 39 lb  | 830 | 1,543.00  |

### Traceable Certificate

| Weight Set                                     | Total    | Weight | SKU  | List      |
|--|----------|--------|------|-----------|
| TW-15T Decimal set                             | 0.61 lb  | 1 lb   | 5129 | \$ 475.00 |
| TW-30T Fraction set                            | 8 oz     | 1 lb   | 5130 | 446.00    |
| TW-50T Fraction set                            | 31.00 lb | 38 lb  | 5132 | 1,920.00  |
| TW-50DT Decimal set                            | 31.11 lb | 38 lb  | 5131 | 1,919.00  |
| TW-50COMBOT Combination Fraction & Decimal set | 31.61 lb | 39 lb  | 5133 | 1,954.00  |

### NVLAP Certificate

| Weight Set                                     | Total    | Weight | SKU  | List      |
|--|----------|--------|------|-----------|
| TW-15W Decimal set                             | 0.61 lb  | 1 lb   | 5134 | \$ 602.00 |
| TW-30W Fraction set                            | 8 oz     | 1 lb   | 5135 | 755.00    |
| TW-50W Fraction set                            | 31.00 lb | 38 lb  | 5137 | 2,241.00  |
| TW-50DW Decimal set                            | 31.11 lb | 38 lb  | 5136 | 2,262.00  |
| TW-50COMBOW Combination Fraction & Decimal set | 31.61 lb | 39 lb  | 5138 | 2,285.00  |

Weights



**TW-50D Decimal set**

- (1) TW-15D set
- (1) 0.5 lb
- (5) 1 lb
- (5) 5 lb
- Total 31.11 lb

14-1/2"x9-1/4"x8-1/4"h



**TW-50 Fraction set**

- (1) TW-30 set
- (1) 8 oz
- (5) 1 lb
- (5) 5 lb
- Total 31 lb

14-1/2"x9-1/4"x8-1/4"h



**TW-50COMBO Combination set**

- (1) TW-15D set
- (1) TW-30F set
- (1) 8 oz
- (5) 1 lb
- (5) 5 lb
- Total 31.61 lb

14-1/2"x9-1/4"x8-1/4"h

Prices are subject to change without notice. Please call for current prices.

Other items are available from the manufacturers, please call for quote.



# TROEMNER

## Electronic Balance Calibration Weights

Stackable grip handle and cylindrical **stainless steel** weights for calibration and adjustment of all electronic balances and scales. Constructed of highly polished stainless steel. Made in strict accordance with standard specifications for laboratory weights and precision mass standards ANSI/ASTM E617.

Weights from 10g thru 5kg include a glove and a hinged carrying case with foam interior. Optional cases and gloves are available for weights 8 kg thru 30 kg.

Also available in ASTM Class 2, 3 and 4 as well as Troemner Ultra Class.

**Traceable Certificate** will certify that the weights are proven as tested against the standard. Certificate is a computer printout including test information.

### ASTM Class 1

| Part # | Weight      | Ship Wt | SKU  | List      |
|--------|-------------|---------|------|-----------|
| 8158T  | 10 g cyl    | 1 lb    | 1376 | \$ 174.00 |
| 8156T  | 20 g cyl    | 1 lb    | 1375 | 174.00    |
| 8154T  | 30 g cyl    | 1 lb    | 1374 | 174.00    |
| 8153T  | 40 g cyl    | 1 lb    | 1373 | 174.00    |
| 8152T  | 50 g cyl    | 1 lb    | 1372 | 174.00    |
| 8150T  | 60 g cyl    | 1 lb    | 1371 | 178.00    |
| 8148T  | 70 g cyl    | 1 lb    | 1370 | 180.00    |
| 8146T  | 80 g cyl    | 1 lb    | 1369 | 183.00    |
| 8144T  | 100 g cyl   | 1 lb    | 1368 | 188.00    |
| 8142T  | 150 g cyl   | 1 lb    | 1367 | 221.00    |
| 8140T  | 160 g cyl   | 1 lb    | 1366 | 238.00    |
| 8138T  | 200 g cyl   | 2 lb    | 1365 | 241.00    |
| 8136T  | 300 g cyl   | 2 lb    | 1364 | 248.00    |
| 8134T  | 400 g cyl   | 2 lb    | 1363 | 264.00    |
| 8132T  | 500 g cyl   | 2 lb    | 1362 | 278.00    |
| 8130T  | 600 g cyl   | 2 lb    | 1361 | 315.00    |
| 8128T  | 1,000 g cyl | 5 lb    | 1360 | 353.00    |
| 8126T  | 1,500 g cyl | 6 lb    | 1359 | 367.00    |
| 8124T  | 2 kg cyl    | 7 lb    | 1358 | 376.00    |
| 8122T  | 3 kg cyl    | 9 lb    | 1357 | 564.00    |
| 8120T  | 4 kg cyl    | 11 lb   | 1356 | 869.00    |
| 8118T  | 4 kg grip   | 11 lb   | 1355 | 945.00    |
| 8116T  | 5 kg cyl    | 13 lb   | 1354 | 973.00    |
| 8114T  | 5 kg grip   | 13 lb   | 1353 | 1,037.00  |
| 8112T  | 8 kg grip   | 19 lb   | 1352 | 1,382.00  |
| 8110T  | 10 kg grip  | 24 lb   | 1351 | 1,462.00  |
| 8108T  | 16 kg grip  | 36 lb   | 1350 | 1,925.00  |
| 8106T  | 20 kg grip  | 48 lb   | 1349 | 2,122.00  |
| 8104T  | 24 kg grip  | 53 lb   | 1348 | 2,448.00  |
| 8102T  | 25 kg grip  | 58 lb   | 1347 | 2,499.00  |
| 8100T  | 30 kg grip  | 68 lb   | 1346 | 3,055.00  |



Calibration weights  
Grip handle and Cylindrical



Optional cases



Optional case and glove

Prices are subject to change without notice. Please call for current prices.

Other items are available from the manufacturers, please call for quote.



## TROEMNER

### Electronic Balance Calibration Weights

Stackable grip handle and cylindrical stainless steel weights for calibration and adjustment of all electronic balances and scales. Constructed of highly polished stainless steel. Made in strict accordance with standard specifications for laboratory weights and precision mass standards ANSI/ASTM E617.

Weights from 10g thru 5kg include a glove and a hinged carrying case with foam interior.

Optional cases and gloves are available for weights 8 kg thru 30 kg.

Also available in ASTM Class 2, 3 and 4 as well as Troemner Ultra Class.

There is no NIST traceability, Not suitable for quality or regulatory requirements

#### ASTM Class 1

| Part # | Weight      | Ship Wt | SKU  | List      |
|--------|-------------|---------|------|-----------|
| 8158   | 10 g cyl    | 1 lb    | 1345 | \$ 117.00 |
| 8156   | 20 g cyl    | 1 lb    | 1344 | 117.00    |
| 8154   | 30 g cyl    | 1 lb    | 1343 | 117.00    |
| 8153   | 40 g cyl    | 1 lb    | 1342 | 117.00    |
| 8152   | 50 g cyl    | 1 lb    | 1341 | 117.00    |
| 8150   | 60 g cyl    | 1 lb    | 1340 | 122.00    |
| 8148   | 70 g cyl    | 1 lb    | 1339 | 130.00    |
| 8146   | 80 g cyl    | 1 lb    | 1338 | 134.00    |
| 8144   | 100 g cyl   | 1 lb    | 1337 | 139.00    |
| 8142   | 150 g cyl   | 1 lb    | 1336 | 145.00    |
| 8140   | 160 g cyl   | 1 lb    | 1335 | 162.00    |
| 8138   | 200 g cyl   | 2 lb    | 1334 | 165.00    |
| 8136   | 300 g cyl   | 2 lb    | 1333 | 172.00    |
| 8134   | 400 g cyl   | 2 lb    | 1332 | 188.00    |
| 8132   | 500 g cyl   | 2 lb    | 1331 | 191.00    |
| 8130   | 600 g cyl   | 2 lb    | 1330 | 241.00    |
| 8128   | 1,000 g cyl | 5 lb    | 1329 | 245.00    |
| 8126   | 1,500 g cyl | 6 lb    | 1328 | 253.00    |
| 8124   | 2 kg cyl    | 7 lb    | 1327 | 280.00    |
| 8122   | 3 kg cyl    | 9 lb    | 1326 | 457.00    |
| 8120   | 4 kg cyl    | 11 lb   | 1325 | 761.00    |
| 8118   | 4 kg grip   | 11 lb   | 1324 | 902.00    |
| 8116   | 5 kg cyl    | 13 lb   | 1323 | 887.00    |
| 8114   | 5 kg grip   | 13 lb   | 1322 | 971.00    |
| 8112   | 8 kg grip   | 19 lb   | 1321 | 1,286.00  |
| 8110   | 10 kg grip  | 24 lb   | 1320 | 1,333.00  |
| 8108   | 16 kg grip  | 36 lb   | 1319 | 1,863.00  |
| 8106   | 20 kg grip  | 48 lb   | 1318 | 1,998.00  |
| 8104   | 24 kg grip  | 53 lb   | 1317 | 2,328.00  |
| 8102   | 25 kg grip  | 58 lb   | 1316 | 2,397.00  |
| 8100   | 30 kg grip  | 68 lb   | 1315 | 2,811.00  |



Calibration weights  
Grip handle and Cylindrical



Optional cases



Optional case and glove

Prices are subject to change without notice. Please call for current prices.

Other items are available from the manufacturers, please call for quote.



# TROEMNER

## Electronic Balance Calibration Weights

Stackable grip handle and cylindrical stainless steel weights for calibration and adjustment of all electronic balances and scales. Constructed of highly polished stainless steel. Made in strict accordance with standard specifications for laboratory weights and precision mass standards ANSI/ASTM E617.

Weights from 10g thru 5kg include a glove and a hinged carrying case with foam interior.

Optional cases and gloves are available for weights 8 kg thru 30 kg.

Also available in ASTM Class 2, 3 and 4 as well as Troemner Ultra Class.

**NVLAP Certificate** will include the Traceable Certificate statements plus all the readings of calibration.

### ASTM Class 1

| Part # | Weight      | Ship Wt | SKU  | List      |
|--------|-------------|---------|------|-----------|
| 8158W  | 10 g cyl    | 1 lb    | 5139 | \$ 214.00 |
| 8156W  | 20 g cyl    | 1 lb    | 5140 | 214.00    |
| 8154W  | 30 g cyl    | 1 lb    | 5141 | 214.00    |
| 8153W  | 40 g cyl    | 1 lb    | 5142 | 214.00    |
| 8152W  | 50 g cyl    | 1 lb    | 5143 | 214.00    |
| 8150W  | 60 g cyl    | 1 lb    | 5144 | 214.00    |
| 8148W  | 70 g cyl    | 1 lb    | 5145 | 214.00    |
| 8146W  | 80 g cyl    | 1 lb    | 5146 | 214.00    |
| 8144W  | 100 g cyl   | 1 lb    | 5147 | 214.00    |
| 8142W  | 150 g cyl   | 1 lb    | 5148 | 309.00    |
| 8140W  | 160 g cyl   | 1 lb    | 5149 | 329.00    |
| 8138W  | 200 g cyl   | 2 lb    | 5150 | 333.00    |
| 8136W  | 300 g cyl   | 2 lb    | 5151 | 340.00    |
| 8134W  | 400 g cyl   | 2 lb    | 5152 | 352.00    |
| 8132W  | 500 g cyl   | 2 lb    | 5153 | 361.00    |
| 8130W  | 600 g cyl   | 2 lb    | 5154 | 406.00    |
| 8128W  | 1,000 g cyl | 5 lb    | 5155 | 432.00    |
| 8126W  | 1,500 g cyl | 6 lb    | 5156 | 466.00    |
| 8124W  | 2 kg cyl    | 7 lb    | 5157 | 478.00    |
| 8122W  | 3 kg cyl    | 9 lb    | 5158 | 651.00    |
| 8120W  | 4 kg cyl    | 11 lb   | 5159 | 956.00    |
| 8118W  | 4 kg grip   | 11 lb   | 5160 | 1,100.00  |
| 8116W  | 5 kg cyl    | 13 lb   | 5161 | 1,060.00  |
| 8114W  | 5 kg grip   | 13 lb   | 5162 | 1,161.00  |
| 8112W  | 8 kg grip   | 19 lb   | 5163 | 1,427.00  |
| 8110W  | 10 kg grip  | 24 lb   | 5164 | 1,505.00  |
| 8108W  | 16 kg grip  | 36 lb   | 5165 | 1,957.00  |
| 8106W  | 20 kg grip  | 48 lb   | 5166 | 2,139.00  |
| 8104W  | 24 kg grip  | 53 lb   | 5167 | 2,440.00  |
| 8102W  | 25 kg grip  | 58 lb   | 5168 | 2,538.00  |
| 8100W  | 30 kg grip  | 68 lb   | 5169 | 3,175.00  |



Calibration weights  
Grip handle and Cylindrical



Optional cases



Optional case and glove

Prices are subject to change without notice. Please call for current prices.

Other items are available from the manufacturers, please call for quote.

13-01 Pollitt Dr Ext  
Fair Lawn NJ 07410  
201-797-2718

**Totalcomp**  
Components

www.totalcomp.com  
sales@totalcomp.com  
Fax 201-797-2287



# TROEMNER

## Analytical Weight Sets

### Alloy 8 material for Precision Analytical Weights

Designed for your most precise weighing needs, Troemner's Precision Analytical Reference Weights and Weight Sets utilize a specially developed austenitic stainless steel, **Alloy 8**, available exclusively from Troemner. Alloy 8 is similar to the material originally specified for the state primary standards. Alloy 8 possesses closely controlled density, extremely low magnetic susceptibility, excellent stability and resistance to corrosion, assuring a very stable mass over time.

Weights 1g to 1kg are manufactured using Alloy 8 and come in cylindrical shapes with knobs on top for easy handling. Weights from 1mg to 30mg are aluminum and flat, with one side turned up to form a handle for non slip gripping with forceps. Weights from 50mg to 500mg are stainless steel and flat with one side turned up to form a handle. Weight sets 200g and above are supplied in oak cases while weight sets below 200g are supplied in strong polypropylene cases. All weight sets are marked with serial number, accuracy class and date of calibration. Forceps are included

Weight sets are designed to achieve any total mass by combining smaller masses. Weight sets are supplied in a 5-2-2-1 series meaning that weights beginning with a 2 are doubled in each decade and weights beginning with a 5 or 1 are single in each decade. The exception applies when a set begins with a 2. In that case the first weight is single, unless otherwise noted, and the remaining 2's in the set are doubled in each decade.

#### Weight set

| Part # | Weight Set       | Class                | Weight | SKU  | List        |
|--------|------------------|----------------------|--------|------|-------------|
| 7228-1 | 100 g x 1 mg     | ANSI/ASTM Class 1    | 2 lb   | 1377 | \$ 1,619.00 |
| 7228-3 | 100 g x 1 mg     | ANSI/ASTM Class 3    | 2 lb   | 1378 | 1,295.00    |
| 7228-4 | 100 g x 1 mg     | ANSI/ASTM Class 4    | 2 lb   | 1379 | 1,132.00    |
| 7221-0 | (2) 200 g x 1 mg | Troemner Ultra Class | 4 lb   | 5170 | 2,173.00    |
| 7221-1 | (2) 200 g x 1 mg | ANSI/ASTM Class 1    | 4 lb   | 5171 | 1,871.00    |
| 7221-4 | (2) 200 g x 1 mg | ANSI/ASTM Class 4    | 4 lb   | 5172 | 1,307.00    |

#### Weight set with Traceable Certificate

| Part #  | Weight Set       | Class                | Weight | SKU  | List        |
|---------|------------------|----------------------|--------|------|-------------|
| 7228-1T | 100 g x 1 mg     | ANSI/ASTM Class 1    | 2 lb   | 5173 | \$ 2,288.00 |
| 7228-3T | 100 g x 1 mg     | ANSI/ASTM Class 3    | 2 lb   | 5174 | 1,999.00    |
| 7228-4T | 100 g x 1 mg     | ANSI/ASTM Class 4    | 2 lb   | 5175 | 1,590.00    |
| 7221-0T | (2) 200 g x 1 mg | Troemner Ultra Class | 4 lb   | 5176 | 3,140.00    |
| 7221-1T | (2) 200 g x 1 mg | ANSI/ASTM Class 1    | 4 lb   | 5739 | 2,881.00    |
| 7221-4T | (2) 200 g x 1 mg | ANSI/ASTM Class 4    | 4 lb   | 5740 | 1,894.00    |

#### Weight set with NVLAP Certificate

| Part #  | Weight Set       | Class                | Weight | SKU  | List        |
|---------|------------------|----------------------|--------|------|-------------|
| 7228-1W | 100 g x 1 mg     | ANSI/ASTM Class 1    | 2 lb   | 5177 | \$ 3,177.00 |
| 7228-3W | 100 g x 1 mg     | ANSI/ASTM Class 3    | 2 lb   | 5178 | 2,513.00    |
| 7228-4W | 100 g x 1 mg     | ANSI/ASTM Class 4    | 2 lb   | 5179 | 2,181.00    |
| 7221-0W | (2) 200 g x 1 mg | Troemner Ultra Class | 4 lb   | 5738 | 4,252.00    |
| 7221-1W | (2) 200 g x 1 mg | ANSI/ASTM Class 1    | 4 lb   | 5180 | 3,668.00    |
| 7221-4W | (2) 200 g x 1 mg | ANSI/ASTM Class 4    | 4 lb   | 5181 | 2,461.00    |



7228



7221



# TROEMNER

## Metric Gram Mass Sets - Stainless Steel

311-01S stainless steel weights, bottle shape, one piece construction, ANSI/ASTM Class 7 (Also meets OIML Class M2), 5-2-2-1 series. Milligram weights are aluminum and stainless steel. Covered box. Durable inert polypropylene with integral hinge. Milligram weights have individual compartments with clear cover. Forceps included.

341S stainless steel weights for school and industrial use. Weight set is reasonably priced and accurate. Fractional weights are satin finished aluminum and grouped in one compartment. Total capacity is 101 grams. ANSI/ASTM Class 7 (Also meets OIML Class M2). Mass set

| Part No. | Weight Set   | Weight | SKU  | List      |
|----------|--------------|--------|------|-----------|
| 311-01S  | 100 g x 1 mg | 2 lb   | 1380 | \$ 136.00 |
| 341S     | 50 g x 10 mg | 1 lb   | 1381 | 106.00    |

## Mass set with Traceable Certificate

| Part No. | Weight Set   | Weight | SKU  | List      |
|----------|--------------|--------|------|-----------|
| 311-01ST | 100 g x 1 mg | 2 lb   | 5182 | \$ 344.00 |
| 341ST    | 50 g x 10 mg | 1 lb   | 5183 | 280.00    |



311-01S



341S



# TROEMNER

## SWCF Weight case

Polycarbonate Case for 1kg Stainless Steel Test Weight has a comfortable handle, a recessed grip for removing the lid, side latches for holding the lid in place, and a color-coded insert. Urethane bumpers, both inside the lid and on the bottom of the case, gently hold the weight in place

| Part No.              | Capacity | Weight | SKU  | List     |
|-----------------------|----------|--------|------|----------|
| SWCF-1000 weight case | 1,000 g  | 1 lb   | 1618 | \$ 63.00 |



SWCF-1000  
Weight case

Weights

Prices are subject to change without notice. Please call for current prices.

Other items are available from the manufacturers, please call for quote.

13-01 Pollitt Dr Ext  
Fair Lawn NJ 07410  
201-797-2718

 **Totalcomp**  
Components

www.totalcomp.com  
sales@totalcomp.com  
Fax 201-797-2287

# Weights



Brass Mass Cylindrical

## Brass Mass, Cylindrical, Pound/Ounce

Individual cylindrical weights. OIML accuracy Class M-2. Polished brass.

| Part No           | Weight | SKU  | List    |
|-------------------|--------|------|---------|
| 1/4 oz Brass mass | 1 lb   | 766  | \$ 5.95 |
| 1/2 oz Brass mass | 1 lb   | 1585 | 6.45    |
| 8 oz Brass mass   | 1 lb   | 1590 | 15.00   |
| 2 lb Brass mass   | 3 lb   | 1592 | 49.90   |





### Ohaus Stainless Steel Mass, Cylindrical, Gram

Individual cylindrical weights. ASTM Class 6. Polished stainless steel.

| Part No  | Weight | Ship Wt | SKU  | List     |
|----------|--------|---------|------|----------|
| 80850118 | 1g     | 1 lb    | 1075 | \$ 22.00 |
| 80850119 | 2g     | 1 lb    | 1076 | 22.00    |
| 80850120 | 5g     | 1 lb    | 1077 | 23.00    |
| 80850121 | 10g    | 1 lb    | 1078 | 25.00    |
| 80850122 | 20g    | 1 lb    | 1079 | 28.00    |
| 80850123 | 50g    | 1 lb    | 1080 | 31.00    |
| 80850124 | 100g   | 1 lb    | 2705 | 44.00    |
| 80850125 | 200g   | 1 lb    | 2706 | 56.00    |
| 80850127 | 500g   | 2 lb    | 2707 | 89.00    |
| 80850128 | 1,000g | 3 lb    | 2708 | 155.00   |



**Stainless steel Mass Cylindrical**

Prices are subject to change without notice. Please call for current prices.

Other items are available from the manufacturers, please call for quote.

13-01 Pollitt Dr Ext  
Fair Lawn NJ 07410  
201-797-2718

 **Totalcomp**  
Components

www.totalcomp.com  
sales@totalcomp.com  
Fax 201-797-2287

# Hazardous



## 8100IS Weight Indicators - Doran

Intrinsically safe indicators. UL certified.

81001IS is the basic indicator with (5) keys

8200IS has keyboard for numeric entry and function keys.

Units are lb, kg, oz, g, lb:oz. Keys for Tare, Gross/Net, Zero, Print, Units 304 stainless steel enclosure, IP66.



**8100IS Indicator  
Intrinsically Safe**



**8200IS Indicator  
Intrinsically Safe**

| Part Number                                  | Weight | SKU | List        |
|--|--------|-----|-------------|
| 8100IS indicator intrinsically safe          | 7 lb   | 278 | \$ 1,445.00 |
| 8200IS indicator intrinsically safe w/keypad | 7 lb   | 279 | 1,460.00    |

### Options

|                      |       |     |          |
|----------------------|-------|-----|----------|
| 8BIS battery pack    | 9 lb  | 280 | 650.00   |
| 8CHG charger         | 2 lb  | 281 | 370.00   |
| 8AIS AC power supply | 14 lb | 282 | 1,120.00 |



**8AIS  
AC power supply**



**8BIS  
Battery pack**



**8CHG  
Battery charger**

## SPECIFICATIONS

LOAD CELL .....(4)350 ohm load cells  
5 VDC excitation

OUTPUT .....Two remote switch inputs  
Fiber optic to RS232 converter in safe area

POWER .....8BIS battery pack 8 hrs use w/36 hour charge  
8CHG charger 120 VAC 50/60Hz  
8AIS AC power supply 120 VAC 50/60Hz

KEYS .....Tare, Gross/Net, Zero, Print, Units

DISPLAY .....0.75" LCD

SAFE AREA .....7VDC output

SIZE .....9"W x 4"D x 6"H, 9 lb  
304 stainless steel enclosure IP6X

Hazardous

Prices are subject to change without notice. Please call for current prices.

Other items are available from the manufacturers, please call for quote.



**Intrinsically Safe**

Intrinsically safe CL1, 11, 111, Div 1, Groups ABCDEFG. Battery for use with H90-3052, H90-3052R, H90-3052DR or IND-HR5001-1. Recharge in safe area only.

| Part Number                    | Weight | SKU  | List      |
|--------------------------------|--------|------|-----------|
| 14617 Battery ACC 352          | 2 lb   | 416  | \$ 476.00 |
| 25224 Quicksilver IS indicator | 8 lb   | 418  | 1,026.00  |
| 31465 Battery Charger 530 ACC  | 4 lb   | 419  | 775.00    |
| 11033 Fairbanks grommet        | 1 lb   | 6269 | 22.33     |



**14617 Fairbanks  
Battery charger**



**25224 Quicksilver IS  
Indicator**



**31465 Fairbanks  
Battery charger**

**Hazardous**

Prices are subject to change without notice. Please call for current prices.

Other items are available from the manufacturers, please call for quote.



GSE 350 IS

### 350-IS Weight Indicators - GSE

Service parts only for GSE-350

| Part Number             | Weight | SKU  | List      |
|-------------------------|--------|------|-----------|
| Service Parts           |        |      |           |
| 44-35-41316 keypad assy | 1 lb   | 3439 | \$ 269.00 |



UMC600IS

### UMC600IS Intrinsicly Safe Digital weight indicator - Condec

Service parts only for UMC600IS indicator  
NTEP Legal for Trade 98-000

| Part Number  | Weight | SKU  | List      |
|--|--------|------|-----------|
| Options  |        |      |           |
| KKW8900-1 I/O barrier assembly (Current loop output) | 1 lb   | 4111 | \$ 616.00 |

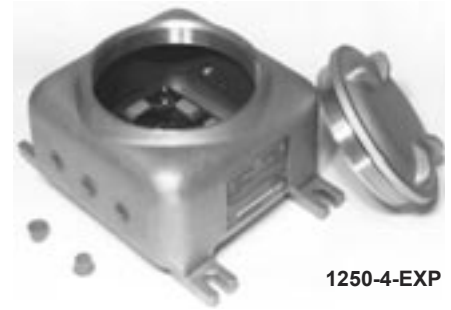


## Explosion Proof Junction Box

Summing junction cards are mounted in enclosures rated Class I, Group D; Class II, Groups E, F & G; NEMA 7 & NEMA 9. Each box has 5 holes drilled and tapped for 1/2" conduit size. Screw on cover has O-Ring for NEMA 4 watertight. Also complies with UL Standard 886 and CSA Standard C22.2 No. 30 1970.

1250-4-EXP contains a summing junction card 1200 Series. It is behind a flat screw on lid for fast access and adjustment. Summing card will connect 2 to 4 load cells.

| Part Number | Weight | SKU  | List        |
|-------------|--------|------|-------------|
| 1250-4-EXP  | 29 lb  | 1267 | \$ 2,147.00 |



1250-4-EXP

## Intrinsic Safety Barrier

Approved by Factory Mutual, for use with 1 to 4 load cells in a clear covered polycarbonate junction box. Load cells can have resistance between 350 ohms and 800 ohms. Indicator can have excitation voltage of 10 to 20 VDC and must have remote sense ability. The Instrument Society of America (ISA) in their latest publication ANSI/ISA-RP12.6 defines load cells with wheatstone bridge circuits as Nonenergy Storing Simple Apparatus since it is a device which will neither generate nor store more than 1.2 V, 0.1 A, 25 mW, or 20 μJ. Simple Apparatus require no approvals when connected to certified intrinsically safe associated apparatus such as Intrinsic Safety Barriers. This means that any load cell in this catalog may be used with these Intrinsic Safety Barriers. 4 lb, 8"x8"x6"h.

| Part Number                                  | Weight | SKU  | List        |
|--|--------|------|-------------|
| MTL-7700 Std configuration -6 to +6 VDC      | 5 lb   | 1561 | \$ 1,241.00 |
| MTL-7700 Optional configuration 0 to +12 VDC | 5 lb   | 1539 | 1,241.00    |

### Service Parts

|                 |      |     |        |
|-----------------|------|-----|--------|
| MTL-7715+       | 1 lb | 291 | 296.00 |
| MTL-7766PAC     | 1 lb | 510 | 296.00 |
| MTL-7764AC      | 1 lb | 511 | 296.00 |
| MTL-7761PAC     | 1 lb | 512 | 296.00 |
| DX070 enclosure | 2 lb | 513 | 351.00 |

Standard configuration (AD4321,AD4323)

Indicator power supply +6 VDC & -6 VDC (12 VDC) and +10 VDC & -10VDC (20 VDC)

|            |           |               |              |
|------------|-----------|---------------|--------------|
| Excitation | MTL-766   | 185 ohms max  | 11.2 VDC max |
| Sense      | MTL-764ac | 1075 ohms max | 11.2 VDC max |
| Signal     | MTL-761   | 145 ohms max  | 7.5 VDC max  |

Optional configuration(AD4316,AN5316,ITG3030)

Indicator power supply +12 VDC & 0 VDC (12 VDC) Grounded power supply.

|            |           |               |              |
|------------|-----------|---------------|--------------|
| Excitation | MTL-715+  | 155 ohms max  | 13.0 VDC max |
| Sense      | MTL-764ac | 1075 ohms max | 11.2 VDC max |
| Signal     | MTL-761   | 145 ohms max  | 7.5 VDC max  |



MTL-7700

Prices are subject to change without notice. Please call for current prices.

Other items are available from the manufacturers, please call for quote.



**Hazardous Floor Base**

### Hazardous Floor Base

High performance powder coated heavy duty floor scale for hazardous environment. Already configured with FM Approved summing box, load cells and hazardous home run cable. Standard features include: Top access FM Approved signal trim junction box. 20ft blue jacket hostile environment load cell cable. 4 NTEP Legal for Trade FM Approved alloy steel shear beam load cells. Heavy powder coated diamond safety deck. 4 adjustable mild steel foot. Threaded eye bolt holes for easy lifting. Top holes for easy leveling. NTEP Legal for Trade 16-016

| Part Number | Weight | SKU  | List        |
|-------------|--------|------|-------------|
| T3x3-2.5K   | 240 lb | 8142 | \$ 1,617.00 |
| T3x3-5K     | 240 lb | 8143 | 1,617.00    |
| T3x3-10K    | 245 lb | 8144 | 1,914.00    |
| T3x4-2.5K   | 280 lb | 8145 | 1,717.00    |
| T3x4-5K     | 280 lb | 8146 | 1,717.00    |
| T3x4-10K    | 285 lb | 8147 | 2,062.00    |
| T4x4-2.5K   | 370 lb | 8148 | 1,742.00    |
| T4x4-5K     | 370 lb | 8149 | 1,742.00    |
| T4x4-10K    | 375 lb | 8150 | 2,188.00    |
| T4x5-2.5K   | 430 lb | 8151 | 1,888.00    |
| T4x5-5K     | 430 lb | 8152 | 1,888.00    |
| T4x5-10K    | 435 lb | 8153 | 2,334.00    |
| T5x5-2.5K   | 540 lb | 8154 | 1,965.00    |
| T5x5-5K     | 540 lb | 8155 | 1,965.00    |
| T5x5-10K    | 545 lb | 8156 | 2,531.00    |

### Service Parts

|                                     |      |      |        |
|-------------------------------------|------|------|--------|
| (1) FM J Box & (20)ft FM cable blue | 1 lb | 7114 | 272.00 |
|-------------------------------------|------|------|--------|



**Pushbutton Station**

Heavy duty oil tight assembled pushbutton station with one standard black button and one NO-NC contact block. NEMA 4 enclosure, 3.75"x3.75"x2". Cast steel painted light gray. Surface mounting with 4 thru holes hidden under cover. One 3/4"NPT entry hole at bottom for 3/4" conduit fitting. Legend plates in stock are engraved TARE, ZERO, PRINT. Custom legend plates are available.

| Part Number  | Weight | SKU  | List      |
|--|--------|------|-----------|
| T3540 Single pushbutton station, does not include legend plate. Order below. | 3 lb   | 825  | \$ 318.00 |
| Legend plate engraved TARE   | 1 lb   | 999  | 42.00     |
| Legend plate engraved ZERO   | 1 lb   | 1000 | 42.00     |
| Legend plate engraved PRINT  | 1 lb   | 1001 | 42.00     |



Legend Plates

**Power Supplies**

For use with process control setpoint indicators for relay control. Can also be used as an external load cell 12VDC power supply. Does not have remote sense. Should be used with a indicator that has signal adjust rather than power supply adjust on the sense amplifier. Will power (36)350 ohm load cells.

| Part Number                                      | Weight | SKU | List      |
|--|--------|-----|-----------|
| 12 VDC power supply 1.3 amp,3-3/4"x4-1/4"x1-1/2" | 1 lb   | 660 | \$ 129.00 |



12VDC Power Supply

Prices are subject to change without notice. Please call for current prices.

Other items are available from the manufacturers, please call for quote.

13-01 Pollitt Dr Ext  
Fair Lawn NJ 07410  
201-797-2718



www.totalcomp.com  
sales@totalcomp.com  
Fax 201-797-2287



**CPJ-DIN**  
DIN rail mount



**CPJ-Card**  
Analog output board



**APLSG**  
Process indicator

## CPJ Analog Transmitter - Scaime

Signal Conditioner and analog transmitter will work with all strain gauge type inputs (load cells, pressure transmitters, etc.). CPJ output is 4-20ma or 0-10VDC. Works with load cells having 120 to 1000 ohm input and 2 to 3 mv/V output. Potentiometers for adjustment of zero and span.

| Part Number                             | Weight | SKU  | List      |
|---|--------|------|-----------|
| CPJ-DIN analog output DIN mount         | 1 lb   | 6245 | \$ 419.00 |
| CPJ-2S-DIN 2S Analog output w/ 2 relays | 1 lb   | 4018 | 546.00    |

### Service Parts

|                              |      |      |        |
|------------------------------|------|------|--------|
| CPJ-Card Analog output board | 1 lb | 4017 | 333.00 |
|------------------------------|------|------|--------|

## Process control weight indicator

When process control does not require the extreme high accuracy necessary for commercial weighing, this indicator is the choice. It is a high quality low cost digital weight indicator for strain gauge load cells. Zero and span calibration is done with fine potentiometers and coarse Dip switches. Sealed metal front bezel (NEMA 4) for wash down and dusty environments. Panel gasket and mounting clips are included for panel mounting.

| Part Number                            | Weight | SKU  | List      |
|--|--------|------|-----------|
| APLSG Process control weight indicator | 3 lb   | 1938 | \$ 326.00 |





**Analog to Digital Converter**

Signal conditioner with analog to digital converter, DIN-Rail mount. For use with strain gauge load cells. The ADC will convert the analog signal to digital using Advanced Load Cell Protocol. Input and output terminal blocks are lever type that assure good low voltage connections. Circuit card with components can be easily disconnected from main printed circuit card for convenient serviceability.

The TDLC-DIN provides a fast RS485 digital output for use with computers and PLC's. Baud rate is selectable, 19,200, 38,400, 57,600 and 115,200. Requires a 12 VDC power supply.

| Part Number                                  | Weight | SKU  | List      |
|--|--------|------|-----------|
| TDLC-Din Digital signal conditioner assembly | 1 lb   | 128  | \$ 295.00 |
| <b>Options</b>                               |        |      |           |
| USOTL4 adapter RS485 to USB                  | 1 lb   | 423  | 285.00    |
| <b>Service Parts</b>                         |        |      |           |
| TDLC Card w/ connectors                      | 1 lb   | 2776 | 245.00    |



**TDLC-DIN**  
Digital signal conditioner



**Web Tension Transmitter**

Web tension transmitter for applications that require a small, full function indicator/controller. DIN Rail-mount. RS-485 serial point interfaces with PLS/DCS systems using ASCII or Modbus RTU protocol. A high speed 4-20mA analog output provides input for a brake/clutch motor controller. May be easily calibrated using the integral LCD display and keypad. Applications include paper machines, Film/foil/filament converting, textile web measurement and roofing machines.

| Part Number    | Weight | SKU | List        |
|----------------|--------|-----|-------------|
| PS-2010T-2-2-1 | 10 lb  | 74  | \$ 3,112.00 |



PS-2010T

Prices are subject to change without notice. Please call for current prices.

Other items are available from the manufacturers, please call for quote.

13-01 Pollitt Dr Ext  
Fair Lawn NJ 07410  
201-797-2718



www.totalcomp.com  
sales@totalcomp.com  
Fax 201-797-2287



Laumas TLB  
Load cell transmitter

## TLB Laumas load cell summing transmitter

Weight transmitter with 16 bit analog output.  
 4-20 ma, 0-20 ma, 0-5 vdc, 0-10 vdc, -5 to +5 vdc, -10 to +10 vdc.  
 Requires power supply 12-24 vdc, +/-10%, 5W.  
 Will work with up to (8) 350 ohm load cells, 4/6 wires, 5 vdc excitation, 120 ma.  
 Digital display 6 digits.  
 RS485 output.  
 25 mm x 115 mm x 120 mm.

| Part Number               | Weight | SKU  | List      |
|---------------------------|--------|------|-----------|
| TLB load cell transmitter | 1 lb   | 3711 | \$ 388.00 |



Calex 4800

## Calex Load cell summing transmitter

AC or DC powered summing transmitter that has a four load cell capacity. Applications include precision weighing, process control add-on loop, and can be used with all types of low output sensors. Included is a NEMA 4 enclosure with a complete strain gauge bridge signal conditioner. Load cell excitation is 10 VDC for use with up to (4)350 ohm load cells. Analog input 5 mv to 50 mv full scale. Output is 4-20 ma or 0-20 ma or 0-20 vdc. Capable of taring up to 80% of the output of a 3mV/V load cell. Power 115 VAC (90 to 130VAC) or 11-30 VDC (8W). 12.5"W x 9"D x 4.4"H, 3 lb

| Part Number          | Weight | SKU | List        |
|----------------------|--------|-----|-------------|
| 4800SA summing board | 3 lb   | 192 | \$ 1,242.92 |



Power supply  
Toledo  
30388323

## Toledo power supply

Power supply for use with Toledo equipment. XSR322001L, 60W, 12VDC.

| Part Number                            | Weight  | SKU  | List      |
|--|---------|------|-----------|
| 30388323 Toledo power supply 60W 12VDC | 0.65 lb | 1018 | \$ 407.14 |



**AD103C Digital Transducer Amplifier - HBM**

Complete bridge transducer amplifier with RS232 interface. Patented error-free high speed integrating A/D conversion. Extensive command set makes it easy to setup and communicate. Built-in user selectable digital low pass filters. User adjustable system zero and span scaling factors. User configurable linearization correction. Automatic background calibration. On-board EEPROM to store setup parameters.

| Part Number                           | Weight | SKU  | List        |
|---------------------------------------|--------|------|-------------|
| 1-AD103C Digital transducer amplifier | 1 lb   | 2218 | \$ 1,131.00 |

**Options**

|   |      |    |          |
|---|------|----|----------|
| 1-AED 9101D housing for use with AD103C | 1 lb | 76 | 1,038.00 |
|---|------|----|----------|



**AD103C  
w/AED9001D**

**SPECIFICATIONS**

LOAD CELL . . . . . 5 VDC  
 (1)350 ohm cell(AD101)  
 (4)350 ohm load cells(AED9001)  
 6 wire remote sense

ANALOG INPUT . . . . .-3.2 mV/V to +3.2 mV/V

CONVERSION . . . . .Update rate 150 Hz nominal  
 24 bit remote display div

OUTPUT . . . . .RS232 bidirectional  
 Baud rates 1200, 2400, 4800.  
 9600, 19.2K, 38.4K, 76.8K bps  
 1 start bit, 8 data bits, 1 stop bit,  
 Even parity, XON/XOFF handshake.

DISPLAY . . . . .Remote display only(by others)

ACCURACY . . . . .0.025% of full scale

POWER . . . . .7.8 to 15 VDC, 60 ma(AD101)  
 10 to 30VDC, 120ma(AED9001),  
 Nominal: 12 VDC, 1.5 watts

SIZE . . . . .3.7"L x 2.1"W x 0.7"H, 3 lb

**DXP-40 Weight Transmitter - BLH**

The DXp-40 digital transmitter individually digitizes each transducer in a multi-cell weigh system for the purposes of greater system resolution and accuracy, and continuous diagnostics of system and transducer performance. In addition to the benefits of operational security, keypad calibration of each transducer eliminates the need for on-site deadweight calibration on many systems. Optional Dynamic Digital Filtering maximizes stability and dynamic response by continuously analyzing system noise characteristics and automatically adjusting software filtering parameters. The optional 16 bit analog output provides a high-resolution weight data interface for non-digital process control equipment. Available discrete I/O points (4 inputs and 4 outputs) offer local setpoint control or diagnostic alarm status annunciation. DXp-40 units provide designers with a wide range of communication and network options. Available "Easy Digital Interfaces" include Allen-Bradley Remote I/O, Modbus RTU, and conventional ASCII. The DXp-40 is housed in a NEMA 4 or 4X enclosure and carries FM/CSA Approvals for Division 2 hazardous locations..

| Part Number                             | Weight   | SKU | List        |
|---|----------|-----|-------------|
| DXP-40-2-1-2-7-1 BLH weight transmitter | 13.14 lb | 586 | \$ 6,630.00 |



**DXP-40**

Prices are subject to change without notice. Please call for current prices.

Other items are available from the manufacturers, please call for quote.

13-01 Pollitt Dr Ext  
 Fair Lawn NJ 07410  
 201-797-2718



www.totalcomp.com  
 sales@totalcomp.com  
 Fax 201-797-2287



TSC

**TSC Totalcomp Signal conditioner**

TSC signal conditioner signal card is mounted inside a Stainless Steel IP67 box. Inside you will have a regular signal trim summing card (max. 4 load cells), second portion of the card is analog output module that is switchable between 4-20mA and 0-10VDC. Surface mounted micro switches for calibration procedure allow for quick and easy setup. Provide power from your equipment requires 12-24VDC. A multi-meter is required for set up.

| Part Number            | Weight | SKU  | List      |
|------------------------|--------|------|-----------|
| TSC signal conditioner | 3 lb   | 1050 | \$ 379.00 |



460

**460 Bridgesensor Signal Conditioner**

Self contained signal conditioner will work with all strain gauge load cells. Output is 0-10 VDC analog. AC powered. Capable of driving (4) 350 ohm load cells. Bridge balance with 80% tare offset capability. Rugged epoxy encapsulated design.

| Part Number      | Input   | Output             | Weight | SKU  | List      |
|------------------|---------|--------------------|--------|------|-----------|
| 460 Bridgesensor | 115 VAC | -10 VDC to +10 VDC | 2 lb   | 1824 | \$ 677.67 |



**4710 & 4720 Calex bridge sensor**

Self contained, DC powered Din-Rail mount module designed for strain gage load cells. Output of 4-20ma or 0-10VDC. Precision instrumentation amplifier, filtered output and a built-in 10V excitation supply capable of driving a 350 ohm bridge. The 0-30mV input range makes it compatible with most strain gage based load cell or pressure transducer outputs. Needs external 24VDC power supply. Connections are made via easily accessible screw clamp terminal blocks. Zero and Span adjustment potentiometers are located externally for easy access.

| Part Number                       | Weight | SKU  | List      |
|-----------------------------------|--------|------|-----------|
| 4710 Bridgesensor Din Rail 0-10V  | 1 lb   | 3731 | \$ 330.00 |
| 4720 Bridgesensor Din Rail 4-20ma | 1 lb   | 3798 | 394.00    |

**Options**

|  |      |      |       |
|--|------|------|-------|
| MDR-20-24 power supply DIN rail mount<br>Input 85-264VAC, Output 24VDC, 1 amp        | 1 lb | 3712 | 45.70 |
| SW124-24-N-SC power supply plugs into outlet<br>Input 90-264VAC, Output 24VDC, 1 amp | 1 lb | 3713 | 58.00 |



4710 & 4720  
Bridge sensor



MDR-20-24  
Power supply



SW124-24-N-SC  
Power supply



**201 Weight Transmitter**

Weight transmitter made for mounting inside a panel or enclosure with exposed terminal blocks for easy set up and trouble shooting. Outputs are 4-20ma, 0-10 VDC analog, RS232, RS485, (4) digital inputs, (4) digital outputs, Modbus, Ethernet, USB and Web page output. Features a 1/2" high 7 segment LCD display with backlight and Annunciators for OVER, UNDER, Accept, IN1, IN2, IN3, IN4, OUT1, OUT2, OUT3, OUT4. Comes with 35mm DIN rail mounting bracket. 12-24 VDC, 6w power is required..

| Part No                | Weight | SKU  | List        |
|------------------------|--------|------|-------------|
| 201 Weight Transmitter | 2 lb   | 4728 | \$ 1,010.00 |



201  
Weight Transmitter



## TSR-L Smart Remote display - Totalcomp

Bright digits, L.E.D. seven segments, 6 digit, max 999999. For indoor use away from direct sunlight for best viewing. Serial input RS232C, 20 ma serial current loop, active or passive. 1200, 2400, 4800, 9600 baud, 7 or 8 data bits, odd, even or no parity, 1 or 2 stop bits. No setup is required. Just connect the signal wires. Press the LEARN button and the Smart Remote sets itself up. Rugged enclosure is weathertight for harsh environments. Painted steel enclosure. Mounting is either panel, desk or U Bracket which allows a full 360 degree swivel and easy tilting for the optimum viewing angle. -40 deg C to +75 deg C. 115 VAC, 60 Hz. Other operating voltages such as 12VDC, 24VDC, 230VAC, 50Hz are available as a special order.



**TSR-0.4L**  
Panel Mount

| Part No | Height | Dist | Case" | Watt | Weight | SKU | List |
|---------|--------|------|-------|------|--------|-----|------|
|---------|--------|------|-------|------|--------|-----|------|

Panel mounting only. 1/8 DIN size. NEMA 1 (Not weathertight)

Power cord (120VAC) is not included.

|          |      |     |             |   |      |      |           |
|----------|------|-----|-------------|---|------|------|-----------|
| TSR-0.4L | 0.4" | 16' | 5.5x3.75x2h | 6 | 2 lb | 1564 | \$ 723.00 |
|----------|------|-----|-------------|---|------|------|-----------|



**TSR-0.4L-EXP**  
Explosion proof



### Explosion Proof

|                   |      |     |        |   |      |      |          |
|-------------------|------|-----|--------|---|------|------|----------|
| TSR-0.4L-EXP 0.4" | 0.4" | 16' | 8x5x5h | 6 | 8 lb | 2631 | 1,886.00 |
|-------------------|------|-----|--------|---|------|------|----------|



**TSR-1L**  
Desk or panel mount

Desk or panel mount NEMA 1 (Not weathertight)

|        |    |     |              |   |         |      |        |
|--------|----|-----|--------------|---|---------|------|--------|
| TSR-1L | 1" | 40' | 7.5x6.5x3.5h | 6 | 2.91 lb | 1756 | 732.00 |
|--------|----|-----|--------------|---|---------|------|--------|

24 VDC Desk or panel mount NEMA 1 (Not weathertight)

|           |    |     |              |   |         |      |        |
|-----------|----|-----|--------------|---|---------|------|--------|
| TSR-1L-DC | 1" | 40' | 7.5x6.5x3.5h | 6 | 2.91 lb | 1767 | 732.00 |
|-----------|----|-----|--------------|---|---------|------|--------|

## ANYLOAD

### 808AH Anyload remote display

Rugged, durable and easy to install. Bright high intensity LED. Automatic learn mode to set up communication and incoming data format. Automatic brightness settings for day and night. Switch inputs and a relay output to control traffic light. One or two decimal places with a dot or comma. Wall mount and pole mount kits included. Sun visor and rain shield included. Weather proof mild steel powder coated enclosure. GR, NT, lb, kg annunciators. Breather vent to avoid internal condensation. Serial ports for RS-232, RS-422/485 and 20ma current loop. Baud rates: 300, 600, 1200, 2400, 4800, 9600, 38400, 57600. 120VAC, 60Hz. NEMA 4 IP65  
 5" display 22.8"L x 9.8"H x 5.9"D  
 2.5" display 11.65"L x 7.52"H x 2.64"D

| Part Number                       | Weight | SKU  | List        |
|-----------------------------------|--------|------|-------------|
| 808AH Remote display 5"           | 20 lb  | 2245 | \$ 1,737.00 |
| 808CH Remote display 2.5" compact | 14 lb  | 2246 | 1,137.00    |



8058AH  
Remote Display



8058CH  
Remote Display



Aurora 45 lighted



Aurora 65 lighted



Aurora 45 SL  
w/ stop light



Aurora 20 lighted

## Aurora remote display - Western Weighing

Tough, dependable and weatherproof. Mild steel with powder coated finish. 6 digit 7 segment, no glare lens LED display. Annunciator lights for: GR, NT, lb, kg. 5 standard communication protocols. Selectable day and night brightness levels. Power save mode. Built-in relay for external traffic light control (except 2"). Leading zero suppression. Optically isolated port for lighting protection. Switch selectable configuration and options. RS 232, RS 422, RS 485 multi drop. 20 mA current loop active and passive. 90 to 240 VAC. 2 year warranty.

| Part Number                 | Digital Height | Dist | Weight | SKU  | List      |
|-----------------------------|----------------|------|--------|------|-----------|
| Aurora 10 lighted           | 1"             | 40'  | 10 lb  | 6992 | \$ 715.00 |
| Aurora 20 lighted           | 2"             | 80'  | 15 lb  | 6986 | 795.00    |
| Aurora 20 lighted(12VDC)    | 2"             | 80'  | 15 lb  | 6993 | 795.00    |
| Aurora 20 lighted Stainless | 2"             | 80'  | 15 lb  | 6994 | 975.00    |
| Aurora 45 lighted           | 4.5"           | 180' | 30 lb  | 6983 | 1,325.00  |
| Aurora 45 lighted Stainless | 4.5"           | 180' | 30 lb  | 6995 | 1,650.00  |
| Aurora 45 SL w/ stop light  | 4.5"           | 180' | 30 lb  | 6985 | 1,650.00  |
| Aurora 65 lighted           | 6.5"           | 260' | 55 lb  | 6984 | 1,650.00  |

### Options

|  |      |      |        |
|--|------|------|--------|
| 111828 Pole Mount Kit                                      | 5 lb | 6925 | 165.00 |
| 112070 Scale link wireless transceiver for scale indicator | 3 lb | 6988 | 525.00 |
| XBP09-XCSIT Integrated wireless kit                        | 1 lb | 6987 | 250.00 |

### Service Parts

|  |         |      |        |
|--|---------|------|--------|
| 112155 Aurora 45 display SMT PCB                       | 1 lb    | 6911 | 307.00 |
| 112169 Aurora 45/65 G3 controller PCB                  | 0.25 lb | 6910 | 250.00 |
| 112276 Aurora 45-SL digit display SMT PCB(stop light)  | 1 lb    | 6629 | 325.00 |
| 112279 Aurora 45-SL signal display SMT PCB(stop light) | 1 lb    | 6630 | 315.00 |
| 112169-SL Aurora 45-SL controller PCB (stop light)     | 0.25 lb | 6458 | 250.00 |
| 112264 Aurora 65 display SMT PCB                       | 1 lb    | 6996 | 325.00 |
| 112013 Aurora 45/65/SL keypad                          | 1 lb    | 6997 | 28.50  |
| 112389(PS-65-12) Aurora 45/65/SL power supply          | 2 lb    | 6964 | 95.00  |
| 112163 Aurora 20 display board (SMT LED)               | 1 lb    | 6998 | 300.00 |
| 112188 Aurora 20 controller board (G2/keypad)          | 1.35 lb | 6580 | 250.00 |
| 112195 Aurora 20 keypad                                | 1 lb    | 6999 | 25.00  |
| 112379(PS-25-12) Aurora 20 power supply                | 2 lb    | 7000 | 95.00  |
| 111743 display lens for Aurora 45SL (Stop Light)       | 1 lb    | 6631 | 125.00 |





**SA2000 Remote display - Intercomp**

For indoor use only. Will interface with any digital indicator, terminal, or computer with standard output. The display features light emitting diodes (LED's) which can withstand temperatures ranging from -50 deg F to 120 deg F. Has 8 digits 5x7 dot matrix alphanumeric LED. Decimal point is selectable. One or two fixed zeros. RS232 or 20ma current loop active or passive. Baud rates 50 to 9600. Power required is 9 to 12 VAC or VDC at 3 amps provided by power supply (included) UL listed, plug in wall transformer, 120VAC, 60Hz, 1 amp with 6 ft 3 wire cable to display. Easily extended in the field. NEMA 1 for indoor use, 16"W x 4"D x 5"H. Power supply wall transformer 2" x 2" x 3".



SA2000

| Part Number                  | Height | Dist | Weight | SKU  | List      |
|------------------------------|--------|------|--------|------|-----------|
| SA2000 Alpha-numeric display | 2"     | 60'  | 8 lb   | 1028 | \$ 495.00 |

Prices are subject to change without notice. Please call for current prices.

Other items are available from the manufacturers, please call for quote.

13-01 Pollitt Dr Ext  
 Fair Lawn NJ 07410  
 201-797-2718



www.totalcomp.com  
 sales@totalcomp.com  
 Fax 201-797-2287



TWLC  
Wireless Load Cell  
Transmitter/Receiver

### TWLC Wireless Load Cell Transmitter/Receiver - Totalcomp

Receiver is powered by indicator excitation voltage. Transmitter has internal rechargeable battery. 270 hour battery life with one 350 ohm load cell. Up to (12) 350 ohm cells can be connected to one set up. Up to 150 sets can be used in the same area without interference.

| Part Number                                  | Weight | SKU | List      |
|--|--------|-----|-----------|
| TWLC Wireless load cell transmitter/receiver | 2 lb   | 799 | \$ 499.00 |

#### Service Parts

|                                       |        |     |       |
|---------------------------------------|--------|-----|-------|
| AC adapter TWLC 100/240vac to 5vdc 1a | 0.25lb | 826 | 28.90 |
|---------------------------------------|--------|-----|-------|



A&D WEIGHING DIVISION



AD-8920

### AD-8920 Remote digital display - A&D

Remote display for A&D Electronic balances. Connects to either the RS232 or the Current loop interface. Bright 7 digit VFD is easy to read. 4.72" W x 2.99" D x 3.54" H. Powered by 115 AC adapter which is included.

| Part Number            | Weight | SKU  | List      |
|------------------------|--------|------|-----------|
| AD-8920 Remote display | 2 lb   | 1160 | \$ 315.00 |



TRANSCCELL TECHNOLOGY, INC.

### TI-500EP Remote Display - Transcell

This remote display is a standard TI-500EP indicator which has a selectable feature to be a remote display. LED display with 0.6" digit height. 120 VAC 0.5 watts.

| Part Number             | Digit Height | Dist | Weight | SKU  | List      |
|-------------------------|--------------|------|--------|------|-----------|
| TI-500EP Remote display | 0.6"         | 24'  | 4 lb   | 6437 | \$ 295.00 |



TI-500EP

Prices are subject to change without notice. Please call for current prices.

Other items are available from the manufacturers, please call for quote.

# ARGOX

*Empower the Barcode*

## Direct Thermal Printer - Argox

Compact. High performance and cost effective solution for your barcode and labeling requirements. Direct thermal desktop barcode printer that offers outstanding features and exceptional value. Easy to operate, space saving and reliable. Internal Real Time Clock (RTC) with buzzer for error warning function when printer runs out of paper or paper jams. The internal RTC facilitates time and date marking for stand alone operation. Ideal for low to medium volume printing needs. Ideal for applications such as point of sale, weight scales, mailing, banking, ticketing, patient tracking, kiosks and document labeling. 2.83 inch printing width. 203 dpi print resolution and up to 4ips printing speed. 32 bit CPU and 4MB flash; 8MB SD RAM memory standard. Communication interfaces: RS232, USB, Cash Drawer, Ethernet (optional) to fit in various systems. Tear off bar built in. Windows 7 OS. Power adapter 100-240 VAC, 1.5 amps, 24 VDC output.

| Part Number | Weight | SKU   | List      |
|-------------|--------|-------|-----------|
| OS-2130D    | 3 lb   | 1716M | \$ 411.00 |

### Service Parts

|   |       |      |        |
|---|-------|------|--------|
| 10015342 Labels 2.25"W x 2"H, case (12) | 11 lb | 3709 | 218.00 |
|---|-------|------|--------|



OS-2130D



DT2x



DT4x

## Direct Thermal Printer - GoDex

Direct thermal. One tri-color LED: Power (green, orange, red). Control key: Feed. 203 DPI. 4 IPS. QLabel-IV label design software. Adjustable reflective sensor. Fixed transmissive sensor, central aligned. Real time/date. 4MB Flash (2MB for user storage); 8MB SDRAM. Resident graphic file types are BMP and PCX, other graphic formats are downloadable from the software. The real time clock for the DT2XW must be ordered separately. USB port and cable included. RS232 (9) pin serial port. Auto switching 100-240VAC, 50-60Hz.

DT2X : 3.94"W x 6.77"D x 8.58"H

DT4X: 6.61"W x 6.53"D x 8.58"H

| Part Number                            | Weight | SKU  | List      |
|--|--------|------|-----------|
| DT2X printer 2"                        | 5 lb   | 7836 | \$ 370.00 |
| DT4XW printer 4" (w/o real time clock) | 7 lb   | 7837 | 390.00    |

### Options

|  |      |      |        |
|--|------|------|--------|
| 031-863001-000 real time clock for DT4XW     | 1 lb | 7069 | 28.00  |
| Stripper module for DT2x                     | 1 lb | 7838 | 50.00  |
| Guillotine cutter for DT2x                   | 3 lb | 7839 | 195.00 |
| Dispenser peeler for DT4xW                   | 1 lb | 7840 | 50.00  |
| Cutter module for DT4xW                      | 3 lb | 7841 | 195.00 |
| External label roll holder                   | 1 lb | 7842 | 35.00  |
| Cleaning pens (6) pack                       | 1 lb | 7843 | 23.00  |
| 2.25"W x 3"H Direct thermal label roll (500) | 1 lb | 7844 | 25.00  |
| 3"W x 2"W Direct thermal label roll (1,240)  | 1 lb | 7845 | 23.00  |
| 4"W x 2"H Direct thermal label roll (1,240)  | 1 lb | 7846 | 48.00  |

### Service Parts

|   |      |      |        |
|---|------|------|--------|
| 2" 200DPI TPH Thermal print head for DT2x | 1 lb | 7848 | 125.00 |
| 4" 200DPI TPH Thermal print head for DT4x | 1 lb | 7849 | 195.00 |
| Switching power supply DT2x & DT4x        | 1 lb | 7850 | 125.00 |





**LP-2022 Bar Code Label Printer - Eltron**

Service parts only.

| Part Number  | Weight | SKU  | List      |
|--|--------|------|-----------|
| <b>Service Parts for LP2022</b>                    |        |      |           |
| Print head for LP2022                              | 1 lb   | 489  | \$ 205.00 |
| Feed switch assy for LP2022, pack of 5             | 1 lb   | 4074 | 122.50    |
| Gap sensor kit for Eltron LP2022                   | 1 lb   | 4075 | 47.90     |
| Plastic cover for roll labels                      | 1 lb   | 1551 | 77.00     |
| 2.25"W x 0.75"H label rolls case of (12)           | 11 lb  | 4477 | 83.70     |
| 2.25"W x 2"H label rolls case of (12)              | 11 lb  | 3709 | 218.00    |
| <b>Labels for direct thermal only</b>              |        |      |           |
| 4"W x 2.5"H direct thermal label rolls case of (6) | 20 lb  | 4478 | 146.00    |
| 4"W x 4"H direct thermal label rolls case of (12)  | 20 lb  | 3710 | 322.00    |
| 4"W x 5"H direct thermal label rolls case of (12)  | 20 lb  | 1538 | 342.00    |



LP-2042PSA

Prices are subject to change without notice. Please call for current prices.

Other items are available from the manufacturers, please call for quote.



**GX420T**  
Direct Thermal Printer

## Direct Thermal Printer - Zebra

Best in class speed and performance. From the basic GK model to the feature rich GX model, the G-Series printers are reliable, durable and flexible to fit almost any low to mid-volume printing application and budget. Providing ease of use, the G-Series and GX models are reliable desktop printing solutions that are always a perfect fit. Both GK and GX models are equipped with EPL and ZPL programming languages, you can switch between languages depending on desired label format.

**GK:** The Zebra GK model is your best value in a basic desktop thermal printer. It's enhanced performance delivers fast print speeds of up to 5 inches per second and fast first label out. USB and serial connectivity interfaces come standard, or use the ZebraNet 10/100 Print Server option for distributed printing.

**GX:** The Zebra GX model is the best in class with the widest range of features in a desktop thermal printer. It delivers even faster first label out and, at 6 inches per second, offers the fastest desktop printer speed on the market. More connectivity choices; USB/serial/parallel, 10/100 Ethernet and wireless, ensure easy system integration. An LCD panel, included with wireless options, displays prompts and wireless status.

Label width 0.75" to 4.25". Max print width 4.09". Print speed 5"/sec.

| Part Number | Weight | SKU  | List      |
|-------------|--------|------|-----------|
| GK420D      | 7 lb   | 6926 | \$ 619.23 |
| GX420D      | 7 lb   | 6928 | 844.00    |
| GX420T      | 7 lb   | 6929 | 944.00    |

## Ovation! 2 Bar Code Label Printer

Thermal transfer and direct thermal. RS232 and parallel interface. High quality 203 dpi resolution. Prints 2" per second. 4.16" maximum print width. Prints code 39, interleaved 2 of 5, Code 128 (subsets A, B and C), Codabar, UPC-A, UPC-E UPC 2 & 5 digit addendums, EAN-8, Ean-13, Code 93, UCC/EAN Code 128, Postnet, PDF417, Code 128 MOD 43, and UPS Maxicode. Comes with Windows driver. Dimensions, 8.8"W x 10.1"D x 6.2"H. 115VAC 50/60 Hz.

| Part Number                             | Weight | SKU  | List      |
|---|--------|------|-----------|
| Ovation! 2 direct thermal label printer | 7 lb   | 4133 | \$ 795.00 |



Ovation! 2

## Prodigy Plus & Prodigy Max Bar Code Label Printer

Service parts only for Prodigy thermal transfer and direct thermal.

| Part Number                       | Weight | SKU  | List      |
|-----------------------------------|--------|------|-----------|
| <b>Service Parts</b>              |        |      |           |
| Print head for Prodigy Max & Plus | 1 lb   | 490  | \$ 454.55 |
| Service Manual for Prodigy Plus   | 1 lb   | 3781 | 95.00     |



Prodigy Plus  
Bar Code printer  
Thermal transfer and  
direct thermal



Prodigy Max  
Bar Code printer  
Thermal transfer and  
direct thermal

Prices are subject to change without notice. Please call for current prices.

Other items are available from the manufacturers, please call for quote.



232CL4

## Serial to 20ma current loop converter

This adapter allows RS232 input printers to be used with indicators that have only 20 ma serial output. RS232 side has 25 pin connector and 20ma serial side has terminal blocks. If the 20ma loop needs a power supply to make it active, use the optional power supply. 2"W x 2.5"D x 0.6"H.

| Part Number                              | Weight | SKU  | List      |
|--|--------|------|-----------|
| 232CL4 Converter RS232/20ma & 20ma/RS232 | 1 lb   | 3274 | \$ 208.00 |

### Options

|                                     |      |      |       |
|-------------------------------------|------|------|-------|
| 232PS2 Power supply for 20ma active | 1 lb | 3275 | 36.00 |
|-------------------------------------|------|------|-------|





**CBM-910 Palm sized Printer**

Light weight, palm sized dot matrix roll paper printer. Desktop or wall mountable. Ultra compact and perfect for a wide array of applications. Paper near end detection. AC power adapter included. 4.17"W x 7"D x 3.5"H

| Part Number                                  | Weight | SKU  | List      |
|--|--------|------|-----------|
| CMB-910 Ticket printer                       | 2 lb   | 7426 | \$ 395.00 |
| <b>Options</b>                               |        |      |           |
| 80251932 Roll paper                          | 1 lb   | 7427 | 27.00     |
| 80251933 Ink ribbon                          | 1 lb   | 7428 | 73.00     |
| 80500570 RS232 Cable & adapter, Voy/Exp      | 1 lb   | 7429 | 193.00    |
| 80252571 RS232 Cable & adapter, Disc/Pion/MB | 1 lb   | 7430 | 193.00    |
| 80252574 RS232 Cable & adapter, CW/CKW/T     | 1 lb   | 7432 | 278.00    |
| 80251934 adapter                             | 1 lb   | 7433 | 46.00     |



**CBM-910**



**TYJ-360-D Tape Printer, serial input**

Dot matrix tape printer. 30 column. RS232 input. 12 VDC operation for use on mobile equipment such as vans or trucks. Uses standard adding machine tape 2-1/4" wide with diameter 2-3/8". Plastic lid protects roll paper. Baud rates 2400, 9600, 19,200, 115,200, none/odd/even parity, 7/8 data bits 1 stop bit, X-ON/X-OFF protocol. Power On/Off switch, FEED key, ON LINE key. 12 VDC, 5 watts, 4.5"W x 6.5"D x 3.5"H. AC adapter sold separately.

| Part Number                     | Weight | SKU  | List      |
|---------------------------------|--------|------|-----------|
| TYJ-360-D Ticket printer, 12VDC | 5 lb   | 4570 | \$ 452.00 |
| <b>Option</b>                   |        |      |           |
| AC adapter 100-240VAC/12VDC     | 1 lb   | 6362 | 28.79     |
| <b>Service Parts</b>            |        |      |           |
| WP:PP137 Roll paper, pack of 5  | 1 lb   | 1596 | 16.00     |
| ET:ERC-09 ink ribbon *          | 1 lb   | 2751 | 18.80     |

\* Also used in Toledo SQC-14, NCI 1220 and Weightronix WP-223, 230, 231, 233



**TYJ-360-D**

Prices are subject to change without notice. Please call for current prices.

Other items are available from the manufacturers, please call for quote.

13-01 Pollitt Dr Ext  
Fair Lawn NJ 07410  
201-797-2718



www.totalcomp.com  
sales@totalcomp.com  
Fax 201-797-2287



## SP298 Ticket Printer - Star

42 column dot matrix ticket printer will accept RS232 input. Has 512 byte data buffer. 9 pin shuttle impact dot matrix. Print speed 3.1 lines/sec. Max paper thickness 0.2mm Original and 2 copies. One color cartridge ribbon. Characters are 1.2 x 2.42mm, 42 characters/line, 16.9 CPI. Order mating connector DB25P separately. 115/230VAC 50/60 Hz, 15 watts, 180 x 190 x 138mmH.



SP298

| Part Number                           | Weight | SKU  | List      |
|---------------------------------------|--------|------|-----------|
| SP298 Ticket Printer w/o power supply | 8 lb   | 3282 | \$ 725.00 |

### Service Parts

|   |      |      |       |
|---|------|------|-------|
| PS60A-24C power supply for SP298<br>100-240VAC to 24VDC | 1 lb | 3283 | 47.55 |
|---|------|------|-------|

## ZX1300i printer GODEX

| Part Number                | Weight | SKU | List        |
|----------------------------|--------|-----|-------------|
| ZX1300i printer w/ rewind. | 28 lb  | 653 | \$ 2,295.00 |



Z X1300i

## TM-U295 Ticket Printer - Epson

35 column dot matrix ticket printer will accept RS232 input, Has 4K data buffer. 7 pin shuttle impact dot matrix. Print speed 2.1 lines/sec. Max paper thickness 0.35mm. One color cartridge ribbon. Characters are 1.6 x 2.9mm, 35 characters/line, 13.5 CPI, 2.6" print line. Order mating connector DB25P separately. 115/230VAC 50/60 Hz, 15 watts, 180 x 190.5 x 101.5mmH.

| Part Number                           | Weight | SKU  | List      |
|---------------------------------------|--------|------|-----------|
| TM-U295 Ticket Printer w/power supply | 8 lb   | 2225 | \$ 656.00 |

### Options

|   |      |      |        |
|---|------|------|--------|
| 4 ft cable to indicator, assembled w/connector            | 1 lb | 710  | 80.00  |
| Additional serial cable per foot                          | 1 lb | 711  | 1.50   |
| 12 V battery converter to operator printer w/12 V battery | 1 lb | 2415 | 172.00 |

### Service Parts

|                                     |      |      |       |
|-------------------------------------|------|------|-------|
| ERC-27 Ink ribbon cartridge, purple | 1 lb | 2223 | 20.20 |
| ERC-27 Ink ribbon cartridge, black  | 1 lb | 7162 | 12.90 |

Also used in the following printers:

|           |         |
|-----------|---------|
| Fairbanks | 50-3930 |
| GSE       | Syntest |
| Toledo    | 8807    |

|  |      |      |        |
|--|------|------|--------|
| TM-U295 Printer w/o power supply                 | 6 lb | 2222 | 596.00 |
| Power supply 100-240VAC to 24VDC 2A w/power cord | 2 lb | 2224 | 89.28  |



TM-U295

## TM-U590 Ticket Printer - Epson

88 column dot matrix ticket printer with RS232 input. Has 4K byte data buffer. 9 pin shuttle impact dot matrix. Print speed 311 char/sec. Max paper thickness 0.3mm. Original and 4 copies. One color cartridge ribbon. Characters are 1.3 x 3.1mm and 1.6 x 3.1mm, 12.5 and 16.7 CPI. Order mating connector DB25P separately. 120VAC 50/60 Hz, 43 watts, 9.9"W x 10.5"D x 7.3"H.

| Part Number                           | Weight | SKU  | List        |
|---------------------------------------|--------|------|-------------|
| TM-U590 Ticket Printer w/power supply | 13 lb  | 2546 | \$ 1,164.00 |

### Service Parts

|  |      |      |       |
|--|------|------|-------|
| ERC-31 Ink ribbon cartridge, purple              | 1 lb | 2729 | 19.70 |
| Power supply 100-240VAC to 24VDC 2A w/power cord | 2 lb | 2224 | 83.95 |



TM-U590  
Ticket printer

Prices are subject to change without notice. Please call for current prices.

Other items are available from the manufacturers, please call for quote.

13-01 Pollitt Dr Ext  
Fair Lawn NJ 07410  
201-797-2718

 **Totalcomp**  
Components

www.totalcomp.com  
sales@totalcomp.com  
Fax 201-797-2287



## TRANSCCELL TECHNOLOGY, INC.



MP-20

### MP-20 Printer

Service parts only.

| Part Number                     | Weight | SKU  | List  |
|---------------------------------|--------|------|-------|
| <b>Service parts</b>            |        |      |       |
| Roll paper, thermal, 2"W (10)pk | 2 lb   | 5504 | 32.85 |



**DPT printer Datamax**

| Part Number | Weight | SKU | List        |
|-------------|--------|-----|-------------|
| 1-4212E-203 | 28 lb  | 686 | \$ 1,808.00 |



**I-4212E/203**



**M-Class Mark II printer Datamax**

The M-Class is a perfect solution for warehouse, healthcare, logistics or retail applications. The modular design of the M-Class makes maintenance and part replacement easy, and the flexible design allows a variety of options to be upgraded in the field. With an easy-to-navigate LCD graphics display for menu and printer function control, it is designed for any level of user. Support of UHF or HF RFIP configurations for current or future requirements protects your printer investments. The high quality features, performance, and rugged reliability make the M-Class II the best value of any printer on the market. Dimensions are 10.21" H x 10.10" W X 18.19" D (249mm H x 257mm W x 462mm D)

| Part Number              | Weight | SKU | List      |
|--------------------------|--------|-----|-----------|
| DMX-M-4206 Thermal Prime | 28 lb  | 679 | \$ 950.00 |



**DMX-M-4000**

Prices are subject to change without notice. Please call for current prices.

Other items are available from the manufacturers, please call for quote.

13-01 Pollitt Dr Ext  
Fair Lawn NJ 07410  
201-797-2718



www.totalcomp.com  
sales@totalcomp.com  
Fax 201-797-2287

## DATAMAX®

### I-4208 Printer Datamax



I-4208

Direct thermal, optional thermal transfer printer. Die-cast aluminum frame. Metal construction, clear side window to easily monitor media supply levels. Keys are: PAUSE, FEED, CANCEL, MENU, TEST. Ten alphanumeric fonts. Fonts expandable vertically, and horizontally up to 24x, fonts and graphics can be printed in four directions: 0, 90, 180, 270 deg. .PCX, .BMP, .IMG graphic files supported. Data Programming Language(DPL). Dual locking printhead. Auto-resetting board fuses. Split ribbon supply hub. Improved fanfold capability. Color coded component cues. Flash memory. RS232C and Centronics Parallel ports included for host communication. 32 bit processor with 8MB of memory. Accelerated formatting and fast first label outputs. Resolutions up to 600 dpi. Print speeds up to twelve inches per second. Windows driver used for creating label formats using any Windows based program. Centronics Parallel port, IEEE 1284 compliant. RS232 at 2,400 to 38,400 BPS, optional Ethernet, USB and Twin/Coax. 120 VAC, 47/63 Hz. 12.70"H x 12.62"W x 18.60"D

| Part Number                           | Weight | SKU  | List        |
|---------------------------------------|--------|------|-------------|
| I-4208 Printer                        | 45 lb  | 6776 | \$ 1,784.00 |
| I-4208 Printer w/ Rewind              | 45 lb  | 6777 | 1,994.00    |
| I-4208 Printer w/ Rewind/Peel/Present | 45 lb  | 6778 | 2,153.00    |

#### Options

|                                |      |      |        |
|--------------------------------|------|------|--------|
| Datamax Peel/Present mechanism | 1 lb | 6779 | 245.00 |
|--------------------------------|------|------|--------|

#### Service Parts

|                               |      |      |        |
|-------------------------------|------|------|--------|
| PHD20-2278-01 printhead I4212 | 1 lb | 5480 | 949.00 |
|-------------------------------|------|------|--------|

## DATAMAX®

### 4206, 4208, 4212 Printer parts Datamax

Service parts only for 4206 4208 4212 printers



SSI-ICLASS-203Q

| Part Number                     | Weight | SKU  | List      |
|---------------------------------|--------|------|-----------|
| PHD20-2278-01 Datamax printhead | 1 lb   | 5480 | \$ 751.00 |
| DPR78-2902-01 display board     | 1 lb   | 3253 | 198.00    |
| DPR32-2674-01 cable front panel | 1 lb   | 3254 | 43.00     |



## STP-103 Compact thermal printer

Light weight, compact thermal printer. Never needs a printer ribbon. Easy paper loading. Paper near end sensor. AC power adapter included. 3.9"W x 7.5"D x 3.5"H

| Part Number                     | Weight | SKU  | List      |
|---------------------------------|--------|------|-----------|
| STP-103 Compact thermal printer | 2 lb   | 7419 | \$ 982.00 |

### Options

|  |      |      |        |
|--|------|------|--------|
| 80251931 Thermal paper                       | 1 lb | 7420 | 29.00  |
| 80252580 RS232 Cable & adapter, Voy/Exp      | 1 lb | 7421 | 248.00 |
| 80252581 RS232 Cable & adapter, Disc/Pion/MB | 1 lb | 7422 | 248.00 |
| 80252583 RS232 Cable & adapter, CD Troop     | 1 lb | 7423 | 248.00 |
| 80252584 RS232 Cable & adapter, CW/CKW/T     | 1 lb | 7424 | 278.00 |
| 12120799 SF40A Roll Paper 2/pk               | 1 lb | 5230 | 24.00  |
| 12120798 SF40A Ink ribbon                    | 1 lb | 5232 | 75.00  |
| 12122603 SF40A Cable kit Disc/MB/Pion/Troop  | 1 lb | 5244 | 237.00 |
| 80500552 SF40A Cable kit CW/CKW/T            | 1 lb | 5253 | 231.00 |
| 12120762 SF40A Power supply                  | 1 lb | 5287 | 44.00  |



80251992



## SF40A - Impact Printer

Multi-language printing in 13 languages. Print speed is 1.2 lines per second. Status indicator, 40 characters per line, compatible with continuous label paper, perform zero and tare operations directly from printer. Date and time. Equipped with statistics and totalization modes that provide additional functionality that is of use to your weight determination and reporting process. RS232 with GLP/GMP data output can help meet traceability and compliance requirements. 12VDC, 2.5 A. 5.5"W x 8.7"D x 2.95"H.

| Part Number | Weight | SKU  | List        |
|-------------|--------|------|-------------|
| SF40A       | 2 lb   | 1754 | \$ 1,273.00 |



SF40A

Prices are subject to change without notice. Please call for current prices.

Other items are available from the manufacturers, please call for quote.

13-01 Pollitt Dr Ext  
Fair Lawn NJ 07410  
201-797-2718

**Totalcomp**  
Components

www.totalcomp.com  
sales@totalcomp.com  
Fax 201-797-2287

# Printers



CBM-910II

## CBM-910II Dot-matrix printer - Citizen

Palm size dot-matrix printer. RS232 input 4800, 9600 baud, 8 bits, 2 stop bits. Paper end sensor. Bit image graphics. 24 column print width at 5 lines per second. 2K bytes input buffer. 8 data bits. Dimensions, 4.2"H x 7.1"W x 3.5"D. 115VAC 50/60 Hz.

| Part Number                           | Weight | SKU  | List      |
|---------------------------------------|--------|------|-----------|
| CBM-910II Tape Printer w/power supply | 5 lb   | 3417 | \$ 350.00 |

### Options

|                           |      |     |       |
|---------------------------|------|-----|-------|
| 4' custom interface cable | 1 lb | 710 | 80.00 |
|---------------------------|------|-----|-------|

### Service Parts

|   |      |      |       |
|---|------|------|-------|
| C-0843-3 Ink ribbon cartridge, purple     | 1 lb | 3782 | 19.70 |
| 1 ply roll paper 2.25" wide, case of (50) | 1 lb | 3783 | 78.10 |



iDP-3550

## iDP-3550 Roll paper tape printer - Citizen

Service parts only for iDP-3550 printer.

| Part Number                               | Weight | SKU  | List     |
|---|--------|------|----------|
| <b>Service Parts</b>                      |        |      |          |
| IR-61RB ink ribbon cartridge for iDP-3550 | 1 lb   | 130  | \$ 14.00 |
| 1 ply roll paper 3"x3" wide               | 1 lb   | 2221 | 4.60     |

## iDP-562 Service parts only Citizen

Service Parts only for iDP-562 printer.

| Part Number                              | Weight | SKU | List     |
|--|--------|-----|----------|
| <b>Service Parts</b>                     |        |     |          |
| 6N721-6 ink ribbon cartridge for iDP-562 | 1 lb   | 690 | \$ 16.90 |
| P2.75-1 roll paper 2.75" wide            | 1 lb   | 691 | 3.50     |



## TM-U220 Roll Paper Tape Printer - Epson

Dot matrix tape printer has friction feed drive and will print on paper 3" wide with max dia 3 1/4". Has 1K data buffer. Includes separate 120 VAC power supply to provide the smallest printer size. RS232 input, 4800, 9600 baud rates only, bidirectional printing, 40 columns at 13.4 CPI, character size 1.2 x 3.1mm, 6 lines/inch, 3.5 lines/sec. \* Order DB25P input connector separately \*. 120 VAC 50/60 Hz, 43 watts, 5 lb, 180 x 248 x 133mmH, 7" x 9.8" x 5.2"H.

| Part Number                         | Weight | SKU  | List      |
|-------------------------------------|--------|------|-----------|
| TM-U220 Tape Printer w/power supply | 10 lb  | 2219 | \$ 395.00 |

### Options

|  |      |     |       |
|--|------|-----|-------|
| DB-25P Input connector                         | 1 lb | 631 | 21.00 |
| 4 ft cable to indicator, assembled w/connector | 1 lb | 710 | 80.00 |
| Additional serial cable per foot               |      | 711 | 1.50  |

|   |      |      |          |
|---|------|------|----------|
| TPC time & date printer controller (RS232 input)          | 5 lb | 265  | 1,443.75 |
| 12 V battery converter to operator printer w/12 V battery | 2 lb | 2273 | 200.00   |

### Service Parts

|  |      |      |       |
|--|------|------|-------|
| ERC-30 Ink ribbon cartridge for TM-U220 and SRP-270          | 1 lb | 1839 | 17.10 |
| Power supply 100-240VAC to 24VDC 2A for TM-U220 w/power cord | 3 lb | 5709 | 87.20 |
| 1 ply roll paper 3" x 3" dia                                 | 1 lb | 2221 | 4.60  |
| 2 ply roll paper 3" x 3" dia                                 | 1 lb | 2228 | 6.80  |

### Service Parts for old Model TM-U200

|  |      |      |       |
|--|------|------|-------|
| Power supply 100-240VAC to 24VDC 2A for TM-U200 w/power cord | 3 lb | 2224 | 89.28 |
|--|------|------|-------|

### Service Parts for old Model TRP265

|   |      |      |       |
|---|------|------|-------|
| ERC-23 Ink ribbon cartridge for TRP-265 | 1 lb | 2220 | 16.90 |
|---|------|------|-------|



TM-U220

## SRP-200 Roll paper tape printer - Samsung

Service parts only for SRP-200 printer

| Part Number | Weight | SKU | List |
|-------------|--------|-----|------|
|-------------|--------|-----|------|

### Service Parts

|  |      |      |          |
|--|------|------|----------|
| Ink cartridge for SRP-200 printer        | 1 lb | 4039 | \$ 11.00 |
| AC-1000A Power supply for SRP-200 series | 3 lb | 1707 | 43.00    |



SRP-200

Prices are subject to change without notice. Please call for current prices.

Other items are available from the manufacturers, please call for quote.

13-01 Pollitt Dr Ext  
Fair Lawn NJ 07410  
201-797-2718

**Totalcomp**  
Components

www.totalcomp.com  
sales@totalcomp.com  
Fax 201-797-2287



A&D WEIGHING DIVISION



AD-1192

### AD-1192 Compact Printer

Compact, palm sized, light weight. High speed printing. Paper near end detection function. Balance and scale data. Weighing slips. Dot matrix printing method. Uses standard 2-1/4" paper. 1.8 lines/second print speed. 2.4mm high characters. Uni-directional printing. RS232C interface. Low power consumption. Wall mountable. Power cord included. Connecting cables not included. 4.2"W x 7.5"D x 3.5"H.

| Part Number     | Weight | SKU  | List      |
|-----------------|--------|------|-----------|
| AD-1192 Printer | 2 lb   | 4833 | \$ 540.00 |

#### Service Parts

|                                       |      |      |       |
|---------------------------------------|------|------|-------|
| WD-PP137 Roll paper pack of 5         | 1 lb | 1596 | 16.00 |
| AD-1192-1 Ribbon                      | 3 lb | 4834 | 32.00 |
| AD-1192-2 Power cord                  | 1 lb | 4835 | 65.00 |
| KO:1131 RS232 Cable, 25 pin to 25 pin | 1 lb | 221  | 47.00 |
| KO: WW9-25 RS232 Interface cable      | 1 lb | 6700 | 52.00 |
| KO: WW25-7 RS232 Interface cable      | 1 lb | 4837 | 53.00 |



A&D WEIGHING DIVISION



AD-8127

### AD-8127 Multi Function Printer

The AD-8127 multi printer is compatible with and A&D electronic balance, scale, counting, moisture analyzer and/or weighing indicator. Use of dot matrix allows for records to be stored for long periods of time. Can be easily transported due to its light weight and compact size. With RS232 or current loop interface inputs. Built in clock display. The liquid crystal display provides easy conditions confirmation and settings of the printer. Weighing data can be printed without touching the balance by pressing the key switch. 6.85"W x 5.55"D x 3.42"H

| Part Number                    | Weight | SKU | List        |
|--------------------------------|--------|-----|-------------|
| AD-8127 multi function printer | 3 lb   | 202 | \$ 1,010.00 |
| AX-ERC-22B ink ribbon          | 1 lb   | 203 | 180.00      |



A&D WEIGHING DIVISION

### AD-8115 Ticket Printer - Service Supplies

Service Parts for Model AD-8115 Ticket Printer

| Part Number            | Weight | SKU | List     |
|------------------------|--------|-----|----------|
| ERC-03 Ink cartridge * | 1 lb   | 42  | \$ 15.40 |

\* Also used in Sterling 1100



A&D WEIGHING DIVISION

### AD-8118 & AD-1191 Printer - Service Supplies

Service Parts for Model AD-8118 AD-1191 Printer

| Part Number           | Weight | SKU | List     |
|-----------------------|--------|-----|----------|
| ET:ERC-P09 ink ribbon | 1 lb   | 71  | \$ 55.70 |



A&D WEIGHING DIVISION

**AD-8121 Multi-Function printer - A&D**

Service parts only for AD-8121.

| Part Number   | Weight  | SKU  | List   |
|---|---------|------|--------|
| <b>Service Parts</b>  |         |      |        |
| KO:1080-100 Current loop cable  | 1 lb    | 1989 | 60.00  |
| WP:PP143 Roll paper, 2-5/8"dia x 1-3/4"wide,<br>pack of 5 for AD-8121 | 2 lb    | 1990 | 13.00  |
| ET:ERC-P05 Ink ribbon for AD-8121                                     | 1 lb    | 1991 | 20.00  |
| TB:174 Adapter 120VAC-DC  | 1 lb    | 4611 | 43.00  |
| PA:8121-0004 printer assy   | 0.16 lb | 1974 | 282.00 |



AD-8121

**182 Printer - Okidata**

Service parts only for Okidata 182.

| Part Number               | Weight | SKU  | List   |
|---------------------------|--------|------|--------|
| <b>Service Parts</b>      |        |      |        |
| Ink cartridge for 182/192 | 1 lb   | 788  | 18.80  |
| Print head for 182        | 1 lb   | 1638 | 175.00 |



182

Prices are subject to change without notice. Please call for current prices.

Other items are available from the manufacturers, please call for quote.

13-01 Pollitt Dr Ext  
Fair Lawn NJ 07410  
201-797-2718



www.totalcomp.com  
sales@totalcomp.com  
Fax 201-797-2287

# Printers



**S-667-P**  
Ink ribbon



**694TM**  
Ink ribbon

## 250, 260 & 1200 Printers - Control Logic

Service parts only

| Part Number                                       | Weight | SKU  | List     |
|---|--------|------|----------|
| <b>Service Parts for Model 250 Ticket Printer</b> |        |      |          |
| S-667-P ink ribbon, purple                        | 1 lb   | 1613 | \$ 22.35 |
| Print/Tare switch assy w/connector                | 1 lb   | 1628 | 25.00    |
| Switch alone, solder tabs                         | 1 lb   | 1629 | 9.00     |

**Service Parts for Model 260 Tape Printer**

|  |      |      |       |
|--|------|------|-------|
| S-311 ink ribbon, black, 1 Red                             | 1 lb | 1631 | 12.10 |
| Print/Tare switch alone, solder tabs                       | 1 lb | 1629 | 9.00  |
| Roll paper tape, 3" wide, 1 ply, 3" diameter, case of (50) | 1 lb | 1633 | 97.70 |

**Service Parts for Model 1200 Ticket Printer**

|                            |      |      |       |
|----------------------------|------|------|-------|
| S-667-P ink ribbon, purple | 1 lb | 1613 | 22.35 |
|----------------------------|------|------|-------|

## Matrix II printers - Fargo

Service parts only.

| Part Number                          | Description      | Weight | SKU | List     |
|--------------------------------------|------------------|--------|-----|----------|
| 694TM Ink ribbon                     | Matrix II ticket | 1 lb   | 713 | \$ 10.00 |
| Also used in the following printers: |                  |        |     |          |
| Eaton 7000,7040                      | Fairbanks 152    |        |     |          |
| Electroscale 330, 331                | Toledo 8805      |        |     |          |

# Printers

## Ticket Printer - Toledo

Ink cartridge ribbon 115534300A for Toledo Printer Model 8806  
7/16" x 12 yds purple matrix.

| Part Number                          | Description | Weight      | SKU    | List     |
|--------------------------------------|-------------|-------------|--------|----------|
| <b>Old style</b>                     |             |             |        |          |
| C-0692 (255)                         | Ink ribbon  | 1 lb        | 724    | \$ 37.60 |
| Also used in the following printers: |             |             |        |          |
| Cardinal                             | 740         | General     | TP-110 |          |
| Eaton                                | 4000        | NCI         | 5787   |          |
| Fairbanks                            | 50-3925     | Weightronix | WA-220 |          |
| Flexweigh                            | DHP4000     |             |        |          |

**New style** with plastic ribbon guides

|                |            |      |     |       |
|----------------|------------|------|-----|-------|
| C-0692-5 (257) | Ink ribbon | 1 lb | 704 | 46.80 |
|----------------|------------|------|-----|-------|

In an emergency, the new style ink ribbon cartridge can be used with the old style Toledo 8806 printer. The new style plastic guides can be removed by snapping them off. The new style ink ribbon without the guides is the same as the old style EC867 ink ribbon and will work with the old style Toledo 8806 printer.

Ink ribbons and cartridges for other makes and models of printers are available.



**C-0692**  
Ink ribbon cartridge



**C-0692-5**  
Ink ribbon cartridge

## IDS150/IDS152 Ticket printer - Industrial Data Systems

Service parts only

| Part Number          | Description                                      | Weight | SKU  | List     |
|----------------------|--|--------|------|----------|
| <b>Service Parts</b> |  |        |      |          |
| S-667-P              | Ink ribbon, purple for IDS150/152 Ticket printer | 1 lb   | 1613 | \$ 22.35 |



**S-667-P**  
Ink ribbon

## Ticket Printer - Toledo

Ink cartridge ribbon for Toledo Printer Model 8857  
7/16" x 12 yds purple matrix.

| Part Number | Description       | Weight | SKU | List     |
|-------------|-------------------|--------|-----|----------|
| 229B        | Ink ribbon, black | 1 lb   | 703 | \$ 28.30 |



**229B**  
Ink ribbon cartridge

Prices are subject to change without notice. Please call for current prices.

Other items are available from the manufacturers, please call for quote.

13-01 Pollitt Dr Ext  
Fair Lawn NJ 07410  
201-797-2718

**Totalcomp**  
Components

www.totalcomp.com  
sales@totalcomp.com  
Fax 201-797-2287

355

# J Box



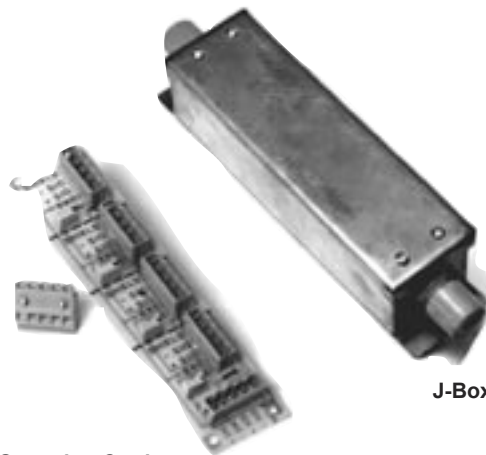
SJC-4

## SJC-4 Card only with Excitation Trim

Circuit card is arranged for parallel summing of 2 to 4 load cells. Ideal for making corner sensitivity adjustments for scales. Convenient, lugless connections for load cell and read-out. Two pots provided for each load cell to minimize interaction between span trimming and zero shift. Separate terminal block for each cable. Internal connection of sense to excitation leads. Common shield connection provided for each cable. Low resistance (10 ohm), 20 turn pots for good resolution.

Size 3.5"W x 0.5"H x 4.5"L

| Part Number             | Weight | SKU | List      |
|-------------------------|--------|-----|-----------|
| SJC-4 Summing card only | 1 lb   | 461 | \$ 176.00 |



J-Box

Summing Card

## J-box with Excitation trim - UniBridge

Compact, **stainless steel** junction box with summing card. Box is 9.5"L x 2.5"W x 2.5"H. Card is 6.5"L x 1.5"W x 1.25"H. Up to four cells will be summed. Two cable strain reliefs.

| Part Number                            | Weight | SKU | List      |
|--|--------|-----|-----------|
| J-box w/summing card UniBridge         | 4 lb   | 998 | \$ 660.00 |
| J-box only w/o card UniBridge (1.8 lb) | 3 lb   | 997 | 460.00    |
| Summing card only (4 cell) UniBridge   | 1 lb   | 996 | 200.00    |



TJB61 9.5"L x 4.375"W x 1.5"H

## TJB61 Summing box with Card - Totalcomp

**Stainless steel** enclosure. The 61 and 62 Summing Card is 1-3/8" x 5-3/4". It has four 5 position terminal strips for load cell inputs and one 7 position terminal strip with internally jumped sense terminals for output to the instrument. Terminal strips are screw operated cage clamp design or optional lever type design.

Trimming of signal output is accomplished with four 25 turn trim pots with an operating temperature range of -55 to +125 degrees C. The board will sum 2 to 4 load cells and can be mounted with the four 11/16" mounting holes provided with a spacing of 2-1/2 x 3-1/2" on center.

| Part Number                       | Size                     | Weight | SKU  | List      |
|-----------------------------------|--------------------------|--------|------|-----------|
| TJB61 Summing box w/ card         | 9.5"L x 4.375"W x 1.5"H  | 1 lb   | 4593 | \$ 177.90 |
| SS-Enclosure only for TJB61       | 9.5"L x 4.375"W x 1.5"H  | 1 lb   | 4592 | 135.72    |
| TJB62 Summing box w/ card         | 7.75"L x 2.5"W x 1.75"H  | 1 lb   | 3578 | 191.90    |
| SS-Enclosure only for TJB62       | 7.75"L x 2.5"W x 1.75"H  | 1 lb   | 3579 | 135.72    |
| Circuit card only for TJB61/TJB62 | 5.75"L x 1.375"W x 0.5"H | 1 lb   | 4591 | 63.36     |



TJB62 7.75"L x 2.5"W x 1.75"H

Prices are subject to change without notice. Please call for current prices.

Other items are available from the manufacturers, please call for quote.

## Signal Trim Series 1200 Summing Junction Box

**Stainless steel** Nema 4 enclosure contains printed circuit card specifically designed to adjust each load cell span without effecting zero. One multiturn potentiometer per load cell shunts the output and two series output isolation resistors limit zero interaction. Terminal blocks are lever type that simplify wire connection. Strip the wire, push the lever, insert the wire and release the lever. Accepts wire size 26 to 14 AWG. One terminal block for each load cell and one terminal block for the indicator. Expansion terminal block is on models 1250, 1251 and 1260 for expansion to another summing box. Span adjustments is 3% for 350 ohm load cells; 5% for 700 ohm load cells. Corrosion proof nylon strain reliefs are provided for cable 0.197"-0.354" dia. Enclosure size is 6-1/2" x 8-3/8" x 1-3/4"H. Circuit card size is 4-7/8" x 6-3/4" x 5/8"H.

### Section Adjustment

1251, 1260, 1280, 12100 circuit cards have section adjust pots for ease in scale calibration. First the two cells in each section are matched, then the sections are matched with the additional section pots. Both cells in a section should have load cells. If one load cell is not wired to a section, resistors should be connected that have an equivalent resistance.

| Part Number  | # Cells | Weight | SKU  | List      |
|--|---------|--------|------|-----------|
| <b>Stainless Steel NEMA 4 enclosure w/summing card</b> |         |        |      |           |
| 1250-4-SS  | 2 to 4  | 4 lb   | 1007 | \$ 455.00 |
| 1251-4-SS  | 2 to 4  | 4 lb   | 1051 | 483.00    |
| 1260-6-SS  | 5 to 6  | 4 lb   | 1008 | 540.00    |
| 1280-8-SS  | 7 to 8  | 5 lb   | 1009 | 536.00    |
| 12100-10-SS  | 9 to 10 | 5 lb   | 2955 | 589.00    |

### Summing card only

|                 |         |      |      |        |
|-----------------|---------|------|------|--------|
| 1250 Card only  | 2 to 4  | 1 lb | 620  | 201.00 |
| 1251 Card only  | 2 to 4  | 1 lb | 1049 | 227.00 |
| 1260 Card only  | 5 to 6  | 1 lb | 622  | 254.00 |
| 1280 Card only  | 7 to 8  | 1 lb | 624  | 281.00 |
| 12100 Card only | 9 to 10 | 1 lb | 667  | 367.00 |

### Stainless Steel NEMA 4 enclosure w/summing card w/surge protection

|                |         |      |      |        |
|----------------|---------|------|------|--------|
| 1250-4-SS-SP   | 2 to 4  | 4 lb | 4229 | 583.00 |
| 1251-4-SS-SP   | 2 to 4  | 4 lb | 4230 | 577.00 |
| 1260-6-SS-SP   | 5 to 6  | 5 lb | 4231 | 631.00 |
| 1280-8-SS-SP   | 7 to 8  | 5 lb | 4232 | 705.00 |
| 12100-10-SS-SP | 9 to 10 | 5 lb | 4233 | 761.00 |

### Summing card only w/surge protection

|                    |         |      |      |        |
|--------------------|---------|------|------|--------|
| 1250-SP Card only  | 2 to 4  | 1 lb | 4234 | 322.00 |
| 1251-SP Card only  | 2 to 4  | 1 lb | 4235 | 349.00 |
| 1260-SP Card only  | 5 to 6  | 1 lb | 4236 | 409.00 |
| 1280-SP Card only  | 7 to 8  | 1 lb | 4237 | 403.00 |
| 12100-SP Card only | 9 to 10 | 1 lb | 4238 | 475.00 |

### Enclosure without card

|   |      |      |        |
|---|------|------|--------|
| 1250B/1251B Enclosure only w/(5) strain reliefs | 4 lb | 1310 | 274.00 |
| 1260B Enclosure only w/(7) strain reliefs       | 4 lb | 1313 | 294.00 |
| 1280B Enclosure only w/(9) strain reliefs       | 4 lb | 1314 | 321.00 |
| 12100B Enclosure only w/(11) strain reliefs     | 5 lb | 2956 | 353.00 |



1250 card only



1250-4-SS



1260 card only



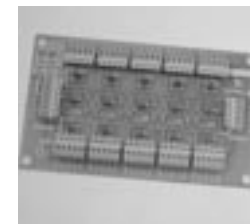
1260-6-SS



1280 card only



1280-8-SS



12100 card only



12100-10-SS

## Surge Protection spare parts

For use with 1250-SP Surge protection summing cards and boxes.

| Part Number                         | Weight | SKU | List     |
|-------------------------------------|--------|-----|----------|
| GT-B675L Lumex tube surge protector | 1 lb   | 575 | \$ 10.70 |



GT-B675L  
Lumex Tube

Prices are subject to change without notice. Please call for current prices.

Other items are available from the manufacturers, please call for quote.

13-01 Pollitt Dr Ext  
Fair Lawn NJ 07410  
201-797-2718

**Totalcomp**  
Components

www.totalcomp.com  
sales@totalcomp.com  
Fax 201-797-2287

357

# J Box



E250 card only



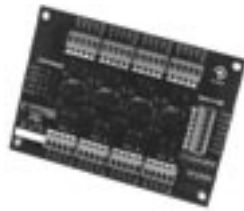
E250-4-SS



E260 card only



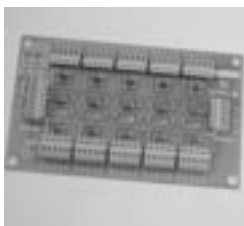
E260-6-SS



E280 card only



E280-8-SS



E2100 card only



E2100-10-SS

## E200 Signal Trim Economy Summing Junction Box

For the application that is not extreme with high pressure washdown, and does not require a rugged box that has large cables and is not submerged in dirt, mud and water. This series of summing junction box will perform adequately at a reasonable price. NEMA 12 stainless steel enclosure contains a component card designed to adjust each load cell span without effecting zero. One potentionmeter per load cell shunts the output and two series output isolation resistors limit zero interaction. Section adjustment on E251, E260, E280, E2100 have potentiometers for ease in scale calibration. First the two cells in each section are matched and then the sections are matched with the additional section pots. Terminal blocks are screw type. One terminal block for each load cells and one for the indicator. Nylon strain reliefs for each load cell and indicator. Enclosure size 6-1/2" x 8-3/8" x 1-3/4"H. Card size 4-7/8" x 6-3/4" x 5/8"H.

| Part Number   | # Cells | Weight | SKU  | List      |
|---|---------|--------|------|-----------|
| <b>Stainless Steel NEMA 4 enclosure w/summing card</b>                    |         |        |      |           |
| E250-4-SS   | 2 to 4  | 4 lb   | 7814 | \$ 336.00 |
| E251-4-SS   | 2 to 4  | 4 lb   | 7815 | 336.00    |
| E260-6-SS   | 5 to 6  | 4 lb   | 7816 | 383.25    |
| E280-8-SS   | 7 to 8  | 5 lb   | 7817 | 429.45    |
| E2100-10-SS   | 9 to 10 | 5 lb   | 7818 | 525.00    |
| <b>Summing card only</b>  |         |        |      |           |
| E250 Card only  | 2 to 4  | 1 lb   | 7819 | 169.75    |
| E251 Card only  | 2 to 4  | 1 lb   | 7820 | 169.75    |
| E260 Card only  | 5 to 6  | 1 lb   | 7821 | 218.30    |
| E280 Card only  | 7 to 8  | 1 lb   | 7822 | 260.75    |
| E2100 Card only   | 9 to 10 | 1 lb   | 7823 | 351.70    |
| <b>Stainless Steel NEMA 4 enclosure w/summing card w/surge protection</b> |         |        |      |           |
| E251-4-SS-SP  | 2 to 4  | 4 lb   | 7824 | 441.84    |
| E260-6-SS-SP  | 5 to 6  | 5 lb   | 7825 | 531.58    |
| E280-8-SS-SP  | 7 to 8  | 5 lb   | 7826 | 586.15    |
| E2100-10-SS-SP  | 9 to 10 | 5 lb   | 7827 | 701.37    |
| <b>Summing card only w/surge protection</b>                               |         |        |      |           |
| E251-SP Card only   | 2 to 4  | 1 lb   | 7828 | 241.73    |
| E260-SP Card only   | 5 to 6  | 1 lb   | 7829 | 289.03    |
| E280-SP Card only   | 7 to 8  | 1 lb   | 7830 | 331.47    |
| E2100-SP Card only  | 9 to 10 | 1 lb   | 7831 | 422.44    |
| <b>Enclosure without card</b>   |         |        |      |           |
| E250B/1251B Enclosure only w/(5) strain reliefs                           |         | 4 lb   | 7832 | 200.11    |
| E260B Enclosure only w/(7) strain reliefs                                 |         | 4 lb   | 7833 | 242.55    |
| E280B Enclosure only w/(9) strain reliefs                                 |         | 4 lb   | 7834 | 254.68    |
| E2100B Enclosure only w/(11) strain reliefs                               |         | 5 lb   | 7835 | 278.93    |



## CSB-40 Compact Summing Junction Box

Compact junction box with Signal trim for 4 load cells. Signal trim has one multiturn potentiometer per load cell that shunts the output and two series output isolation resistors that limit zero interaction. Optional Excitation trim is available. Excitation trim has one potentiometer per load cell in the excitation circuit for adjusting the load cell input voltage. Terminal blocks are lever type that simplify wire connection. Strip the wire, push the lever, insert the wire and release the lever. Accepts wire size 26 to 14 AWG. Five nylon strain reliefs are included for load cells & instrument cables. Two screws that hold the cover have drilled heads for lead and wire sealing. **Stainless steel** NEMA 4 box and gasketed lid for corrosion resistance. The small size of this box makes it a good replacement for low profile warehouse scales. In many cases the box will fit under the platform.  
7" x 4.625" x 1.75"h, 2 lb.

| Part Number                              | Weight | SKU  | List      |
|--|--------|------|-----------|
| CSB-40 w/Signal trim                     | 3 lb   | 1787 | \$ 265.65 |
| CSB-40E w/Excitation trim                | 3 lb   | 2434 | 265.65    |
| CSB Summing card only, signal trim       | 1 lb   | 1584 | 156.45    |
| CSB-E Summing card only, Excitation trim | 1 lb   | 285  | 156.45    |



CSB-40  
Summing box



CSB Summing card only

## NJB Nikkei Summing Junction Box

Compact junction box with Signal trim for 4 load cells, plus external ground connectivity bolt. Signal trim has one multiturn potentiometer per load cell that shunts the output and two series output isolation resistors that limit zero interaction. Optional Excitation trim is available. Excitation trim has one potentiometer per load cell in the excitation circuit for adjusting the load cell input voltage. Terminal blocks are lever type that simplify wire connection. Strip the wire, push the lever, insert the wire and release the lever. Accepts wire size 26 to 14 AWG. Five nylon strain reliefs are included for load cells & instrument cables. Two screws that hold the cover have drilled heads for lead and wire sealing. **Stainless steel** NEMA 4 box and gasketed lid for corrosion resistance. The small size of this box makes it a good replacement for low profile warehouse scales. In many cases the box will fit under the platform.  
7" x 4.625" x 1.75"h, 2 lb.

| Part Number                 | Weight | SKU  | List      |
|-----------------------------|--------|------|-----------|
| NJB-4-SS w/ signal trim     | 2 lb   | 4839 | \$ 271.68 |
| NJBE-4-SS w/ exitation trim | 2 lb   | 4840 | 271.68    |



NJB-4-SS



NJB-4-SS  
Summing Box w/ Internal view

## Anyload Summing Box 12 cell

**Stainless steel**, 2-12 cell, excitation trim, section trim, 7.8" x 6.9" x 1.8"h, 3 lb.

| Part Number                        | Weight | SKU  | List      |
|------------------------------------|--------|------|-----------|
| J12ES w/ signal trim, section trim | 2 lb   | 1751 | \$ 355.00 |



J12ES  
Summing box

Prices are subject to change without notice. Please call for current prices.

Other items are available from the manufacturers, please call for quote.

13-01 Pollitt Dr Ext  
Fair Lawn NJ 07410  
201-797-2718

**Totalcomp**  
Components

www.totalcomp.com  
sales@totalcomp.com  
Fax 201-797-2287

359

# J Box



Stainless Steel Junction Box

## Coti Global Sensors MANUFACTURING

Weighing Products Worldwide

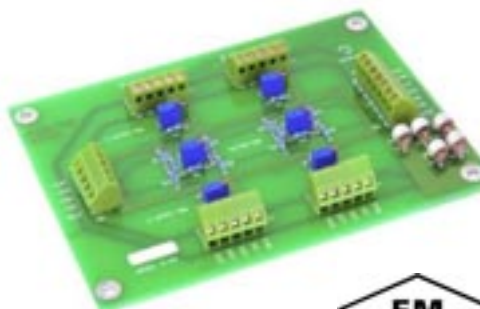
### SS-34 / SS-45 Stainless Steel summing junction box

The load cell summing junction boxes are intrinsically safe for  
 Class I, Division 1, Groups A-D  
 Class I, Division 1, Groups C and D  
 Class I, Zone 0, Group IIC  
 Class I, Zone 0, Group IIB.  
 34 is the standard unit  
 45 has electrical surge protection  
 S= signal trim  
 E= Excitation trim

| Part Number | Weight | SKU  | List      |
|-------------|--------|------|-----------|
| SS-34AS     | 2 lb   | 8088 | \$ 271.68 |
| SS-34AE     | 2 lb   | 8089 | 271.68    |
| SS-45AS     | 2 lb   | 8090 | 369.89    |
| SS-45AE     | 2 lb   | 8091 | 369.89    |



SS-34AS  
4 Cell Signal Trim



SS-45AS  
4 Cell Section Signal Trim



### JB-FI Junction Box - Transcell

Load cell summing junction box for up to 4 load cells. ABS enclosure, Signal trim.  
 6" x 4" x 2".

| Part Number | Weight | SKU  | List      |
|-------------|--------|------|-----------|
| JB-FI W/PG7 | 2 lb   | 6647 | \$ 128.00 |



JB-FI W/PG7

### AJB Junction Box - Transcell

Load cell summing junction box for up to 4 load cells. Stainless steel enclosure, Signal trim. 6" x 4" x 2".

| Part Number          | Weight | SKU  | List      |
|----------------------|--------|------|-----------|
| AJB-015 junction box | 1 lb   | 6658 | \$ 258.00 |



AJB-015 junction box

Prices are subject to change without notice. Please call for current prices.

Other items are available from the manufacturers, please call for quote.

## IDS950 Stainless Steel Compact Summing Junction Box

Stainless steel summing box with signal trim card inside replacement summing box for LP7620 floor scale summing box. Box is rubber gasketed for corrosion resistance. Summing Junction Box size: 6"L x 4.5"W x 1.375"H with screw terminals. 4 x 10 turn potentiometers for load cell adjustments. 4 slotted mounting holes.

| Part Number                   | Weight | SKU  | List      |
|-------------------------------|--------|------|-----------|
| IDS950-4 Summing Junction Box | 1 lb   | 3942 | \$ 100.00 |



IDS950-4  
Signal Trim Card



IDS950-4  
Summing box

## VKK1 HBM junction box

HBM's VKK1-4/VKK1R-4 junction box enables the parallel connection of up to four load cells in a 6-wire circuit. HBM's shielding design provides EMC-proofing under EN 45 501. The terminal boxes also allow the screen to be connected conventionally by means of the screen strands. Corner balancing via integrated resistor network Protection class IP65 acc. to EN60529 VKK1R-4 with stainless housing.

| Part Number                    | Weight | SKU | List      |
|--------------------------------|--------|-----|-----------|
| VKK1-4A Junction Box 2-4 Cells | 1 lb   | 916 | \$ 344.00 |



VKK1

## 49731-0052 Weigh-Tronix summing box

Summing card for 4 load cells with potentiometers..

| Part Number                                       | Weight | SKU  | List      |
|---|--------|------|-----------|
| 49731-0052 Summing board 4 cells w/potentiometers | 1 lb   | 1005 | \$ 357.14 |



49731-0052  
4 cell w/pot

## Fairbanks Sectional Controller

Smart sectional controller. Multiplex and digitizing two analog load cells onto a multi-drop RS-485 bus. Each cell is provided with 6.3 VDC excitation voltage. the output is connected to its own load cell input circuit that contains a separate gain stage and analog filter circuits. The filtered outputs are multiplexed into the input of a 24 bit A/D converter that is monitored by a micro-processor, which controls the multiplex. applies additional signal processing such as digital filtering. The processed load cell signals are then available on the RS-485 bus via a special protocol.

| Part Number                      | Weight | SKU  | List      |
|----------------------------------|--------|------|-----------|
| 26168 Smart Sectional Controller | 4 lb   | 4112 | \$ 766.00 |



Smart Sectional  
Controller

Prices are subject to change without notice. Please call for current prices.

Other items are available from the manufacturers, please call for quote.

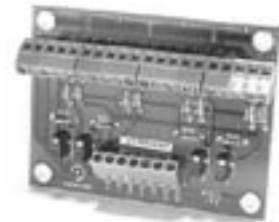
# J Box



GS-JB-4-SS



GS-JB-4-FRP



GS-SC card only



DS-JB-4-SS



JB4SS



## GS-JB compact summing junction box - General Sensor

Extremely small junction boxes with Signal trim for 4 load cells. One multiturn potentiometer per load cell that shunts the output and two series output isolation resistors that limit zero interaction. Screw terminals simplify wire connection. Accepts wire size 26 to 14 AWG. Five nylon strain reliefs are included for load cells & instrument cables. Both boxes are NEMA 4X and gasketed for corrosion resistance. The GS-JB-4-SS is made of stainless steel and the GS-JB-4-FRP is made of fiberglass reinforced plastic. The small size of these boxes make them a good replacement for low profile warehouse scales. In many cases the box will fit under the platform. 7" x 4.625" x 1.75"h.

| Part Number                                       | Weight | SKU  | List      |
|---|--------|------|-----------|
| <b>Signal trim</b>                                |        |      |           |
| GS-JB-4-SS stainless steel                        | 3 lb   | 4013 | \$ 270.90 |
| GS-JB-4-FRP fiberglass reinforced plastic         | 1 lb   | 4014 | 193.20    |
| <b>Excitation trim</b>                            |        |      |           |
| GS-JB-4-E-SS stainless steel                      | 3 lb   | 4790 | 270.90    |
| GS-JB-4-E-FRP fiberglass reinforced plastic       | 1 lb   | 4791 | 193.20    |
| <b>Summing card only</b>                          |        |      |           |
| GS-SC Sum card only, 4 channel, signal trim       | 1 lb   | 4015 | 102.90    |
| GS-SC-E Sum card only, 4 channel, excitation trim | 1 lb   | 635  | 100.80    |
| <b>Enclosure without card</b>                     |        |      |           |
| GS-JB-SS Enclosure only                           | 1 lb   | 4047 | 224.70    |

## DS-JB compact summing junction box - Diamond

Extremely small stainless steel junction boxes with Signal trim for 4 load cells. One multi-turn potentiometer per load cell that shunts the output and two series output isolation resistors that limit zero interaction. Screw terminals simplify wire connection. Accepts wire size 26 to 14 AWG. Five nylon strain reliefs are included for load cells & instrument cables. The small size of these boxes make them a good replacement for low profile warehouse scales. In many cases the box will fit under the platform. 7" x 5.5" x 1.25"h.

| Part Number                  | Weight | SKU | List      |
|------------------------------|--------|-----|-----------|
| <b>Signal trim</b>           |        |     |           |
| DS-JB-4-E-SS stainless steel | 3 lb   | 32  | \$ 100.00 |

## JB4SS summing box - Rice Lake

**Stainless steel**, 4 channel, signal trim with expansion, W/PG7 cord grips for load cells. Nema 4X, FM approved. 5.75" x 4.00" x 1.60"h.

| Part Number        | Weight | SKU | Price     |
|--------------------|--------|-----|-----------|
| <b>Signal trim</b> |        |     |           |
| JB4SS              | 2 lb   | 530 | \$ 314.00 |

Prices are subject to change without notice. Please call for current prices.

Other items are available from the manufacturers, please call for quote.

## Strain reliefs

Used to connect load cell cable to summing junction boxes or instrument enclosure. 1/2" hub size for 7/8" dia hole. Aluminum with rubber cable bushing, "O" ring gasket and lock nut. Connector is installed with "O" ring gasket on outside of box for watertight fit. Lock nut holds from inside. Knurled collar compresses bushing around cable for watertight fit and relief of strain on cable inside box.

| Part Number | Cable Diameter | Weight | SKU | List    |
|-------------|----------------|--------|-----|---------|
| CG-1250     | 0.125"-0.187"  | 1 lb   | 625 | \$ 9.10 |
| CG-1850     | 0.187"-0.312"  | 1 lb   | 626 | 9.10    |
| CG-3150     | 0.312"-0.437"  | 1 lb   | 627 | 9.10    |



## Strain reliefs-corrosion proof

Nylon strain relief with neoprene gland resists salt water, weak acids, gasoline, alcohol, oil, grease and common solvents. 1/2" hub size for 7/8" dia. hole. Sealing washer and lock nut.

| Part Number | Cable Diameter | Weight | SKU  | List    |
|-------------|----------------|--------|------|---------|
| 3231        | 0.170"-0.470"  | 1 lb   | 1010 | \$ 7.10 |

### Service Parts

|                          |      |      |      |
|--------------------------|------|------|------|
| Sealing Washer 1/2"      | 1 lb | 1170 | 1.50 |
| Lock Nut 1/2" electrical | 1 lb | 1171 | 0.50 |



## Hole plug

Seals unused 7/8" dia. holes in summing junction box or instrument enclosure. Cover disk is gasketed with internal washer and wing nut for tight seal.

| Part Number               | Weight | SKU | List     |
|---------------------------|--------|-----|----------|
| AS050 epoxy painted steel | 1 lb   | 194 | \$ 17.00 |
| AS050SS stainless steel   | 1 lb   | 414 | 43.40    |



## Conduit adapter

Mount on the cable fitting on Sensortronics Tank Mount and Truck load cells. The external 1/2" NPT will connect to standard conduit and adapters.

| Part Number                   | Weight | SKU | List     |
|-------------------------------|--------|-----|----------|
| 30006-A Small conduit adapter | 1 lb   | 348 | \$ 22.00 |



## International Wire Transfers

Beneficiary Bank           ConnectOne Bank  
Beneficiary Bank Address   301 Sylvan Ave Englewood Cliffs NJ 07632  
Beneficiary Bank Swift #   CENOUS33

Beneficiary Name           Totalcomp Inc  
Beneficiary Address       13-01 Pollitt Dr Ext Fair Lawn NJ 07410  
Beneficiary Customer #   xxxxxxxxxxx

Please contact us for Beneficiary Customer Account #.

## Domestic ACH (Automated Clearing House)

Bank Name                   ConnectOne Bank  
Bank Address               301 Sylvan Ave Englewood Cliffs NJ  
07632Bank ABA #           021213944

Beneficiary Name           Totalcomp Inc  
Beneficiary Address       13-01 Pollitt Dr Ext Fair Lawn NJ 07410  
Beneficiary Account #   xxxxxxxxxxx

Please contact us for Beneficiary Customer Account #.

## Tarjetas de Crédito

El despacho se hará el mismo día

Solo aceptamos   VISA y MASTERCARD

Nota: Proveer siempre el número de cuenta y la Fecha de Vencimiento.

Estimado cliente tener en cuenta que: Mastercard y Visa cobran el 3.15% mas \$1.15 por transacción. Estos costos serán agregados a su factura.

## Con Cheque

Cheque de banco de USA o Money Order.

Despachamos cuando el cheque arribe a nuestras oficinas. Por ejemplo si lo envían por servicio courier como DHL o FedEx, el cheque llegaría en 2 ó 3 días a Totalcomp.

Cheque a nombre de:           Totalcomp, Inc.

Enviarlo a:                   Totalcomp Inc  
13-01 Pollitt Dr Ext  
Fair Lawn NJ 07410  
USA

## Cheque por fax/email

Agilizan sus ordenes de compras

En Totalcomp ahora tenemos el nuevo sistema de cheques por fax que permitira el despacho de los productos el mismo día. Tambien agiliza los pagos de facturas vencidas, y ahorra gastos de transferencia y de courier cuando envían un cheque a nuestras oficinas.

¿Como trabaja?

Ustedes consiguen un cheque de un banco local con nexos bancarios Norteamericanos en Dólares Americanos y lo envían vía fax a Totalcomp, con una autorización firmada por el dueño de la cuenta que diga lo siguiente:

Este cheque autoriza cargar a nuestra cuenta la suma de \$\_\_\_\_\_

Una vez que lo tengamos tomaremos el número de cuenta del cheque, el número de tránsito y el número MICR que identifica el banco original. Luego imprimimos un cheque con esos datos y lo depositamos normalmente. Esta transaccion es completamente legal y es permitida en los Estados Unidos.

Una vez que tengamos el cheque por fax podremos despachar el mismo día. Ustedes se ahorran los gastos de DHL, FEDEX, transferencia, o cargos del 2.8% cuando pagan con Visa o MasterCard.

## **Terms**

Your choice of payment.

1. Check or money order with order.
2. Net 30 days for approved credit customers. If you desire a Total-comp charge account, simply request a credit application with your next order (or at any time) and we will ship your order when your credit is approved.
3. C.O.D. will be delivered by UPS or Federal Express. They will collect total charges which will include merchandise, freight and handling.

Prices are FOB Fair Lawn, New Jersey or FOB Factory and are subject to change without notice. Orders will be filled with prices in effect at the date of shipment.  
 Minimum order is \$20.00 excluding shipping charges.

## **Stock**

Your components will be shipped within 24 hours from when we receive your order.  
 We normally carry an ample supply of every item on our stock shelf. It is very infrequent that our supply is depleted to zero due to unusual requests from our other customers.

## **Shipping**

- U.P.S. . . . . . Your order will be shipped U.P.S. whenever possible, unless you request a different method of shipment. Maximum 150 lbs per carton.
- U.P.S. 2nd day air . . . . . Air freight via U.P.S. It is a guaranteed 2-day delivery not including Saturday or Sunday.
- U.P.S. Next day air . . . . . Air freight via U.P.S. It is a guaranteed 1-day delivery not including Sunday.
- R.P.S . . . . . Roadway Parcel Service is similar to UPS with a maximum weight of 150 per carton.
- Express mail . . . . . Air freight via U.S. Postal Service. Guaranteed next day delivery not including Sunday.
- Air Freight . . . . . Air freight via Federal Express, Emery Express, AirBorne and other independent air cargo service. Normally next day service. Extra cost for Saturday delivery. No Sunday deliveries.
- Truck . . . . . When shipping load cells and other parts by truck specify shipping class as SCALES NOI CLASS 85.

## **Warranty**

Your Customer Warranty is the standard manufacturer's warranty, which is normally 1 year from date of shipment.

No prior return authorization is required.

Return to us the defective items. Enclose a note with the model number, serial number, invoice number and date of purchase and a brief description of defect.

Defective part will be forwarded to the manufacturer for evaluation. Customer will be advised of the status.

No credit will be issued unless offered by the manufacturer.

## **Return Policy**

All merchandise must be authorized prior to return. No return will be accepted without a **Return Authorization Number**, except for warranties.

If the wrong part was ordered:

1. A 20% restocking charge plus shipping charges will apply.
2. The merchandise being returned must be returned within 2 weeks of original shipping date.
3. The Merchandise being returned must be unused and received in new condition. If merchandise appears to have been used or received in poor or damaged condition, a refurbishing charge will be applied before credit is given.

If the wrong part was shipped:

1. The correct merchandise will be shipped at once.
2. Full credit will be issued upon return of incorrect merchandise.

## **Damaged in Shipment**

Merchandise that has been damaged in shipment must be reported to the freight carrier immediately.

Do not return the merchandise until after the freight carrier has inspected the damage. Keep all the original packaging material for the inspection. The freight carrier will not honor a claim for damage if the merchandise is not as you received it.

After the freight carrier has inspected the damage and has given us approval, we will give you a **Return Authorization Number**.

## **Email**

- sales@totalcomp.com
- purchasing@totalcomp.com
- accountspayable@totalcomp.com
- accountsreceivable@totalcomp.com

# Index

|                                      |                 |                                 |
|--------------------------------------|-----------------|---------------------------------|
| 1004 162                             | 363TSM1 114     | 8100IS 320                      |
| 1010 154                             | 41035 97        | 9010 205                        |
| 1015 154                             | 4206 348        | 90310 4                         |
| 1022 155                             | 4208 348        | 9103 127                        |
| 1030 155                             | 4212 348        | 9109 111                        |
| 1040 156                             | 4300M 255       | 9123 62                         |
| 1042 157                             | 460 259, 330    | 920i 268                        |
| 106MS 210                            | 462 195         | 9323 141                        |
| 1130 158                             | 4800SA 328      | 9363 40                         |
| 1140 156                             | 499050-00 13    | 9423 141                        |
| 1142 157                             | 499051-02 13    | 9523 64                         |
| 1240 159                             | 505H 204        |                                 |
| 1242 162                             | 5102 63         | <b>A</b>                        |
| 1250 158                             | 5103 126        | A&D, AD-1191 352                |
| 1250-4-EXP 323                       | 5123 62         | A&D, AD-1192 352                |
| 1260 160                             | 5223 140        | A&D, AD-4321 247                |
| 1260M 160                            | 535AHM2 213     | A&D, AD-4322A 242               |
| 1260S 159                            | 563WS 98        | A&D, AD-4323 243                |
| 1263 161                             | 563YH 83        | A&D, AD-4325A 247               |
| 1280 357                             | 57-30500 273    | A&D, AD-4328 243                |
| 1320 161                             | 5723 65         | A&D, AD-4329A 244               |
| 1410 206                             | 5825 142        | A&D, AD-4401 245                |
| 1510 163                             | 60001 42        | A&D, AD-4402 244                |
| 1605 116                             | 60030 55        | A&D, AD-4405A 245               |
| 1605-SS 117, 118, 119, 125           | 60036 44        | A&D, AD-4406 247                |
| 17257 97                             | 60040 55        | A&D, AD-4407 246                |
| 181-4EM 15                           | 60048 180       | A&D, AD-5000 246                |
| 185B 249                             | 60050 43        | A&D, AD-8115 352                |
| 190 248                              | 60051 180       | A&D, AD-8118 352                |
| 190DC 248                            | 60060 181       | A&D, AD-8121 353                |
| 1930-B363-QA 291                     | 60063 47        | A&D, AD-8127 352                |
| 200 249                              | 614 46          | A&D, AD-8920 336                |
| 201 331                              | 620 48          | A&D, FS-D 242                   |
| 20210 35                             | 6400 216        | A23907 15                       |
| 204 250                              | 65016 116       | ACB 63                          |
| 205 251                              | 65016-WH-SS 118 | AD-1191 352                     |
| 210 251                              | 65016W-SS 117   | AD-1192 352                     |
| 210FE 250                            | 65023 52        | AD-4321 247                     |
| 220 21                               | 65023-SS 53     | AD-4322A 242                    |
| 2200n 254                            | 65040 146       | AD-4324 243                     |
| 225 250                              | 65058 142       | AD-4325A 247                    |
| 232CL4 342                           | 65058S 147      | AD-4328 243                     |
| 240 208                              | 65059 110       | AD-4329A 244                    |
| 2500U-22 235                         | 65061 147       | AD-4401A 245                    |
| 260 209                              | 65083 54        | AD-4402 244                     |
| 26168 Smart Sectional Controller 361 | 65083S 54, 55   | AD-4405A 245                    |
| 263D 41                              | 65088 4         | AD-4406 247                     |
| 300 95                               | 65114 23        | AD-4407 246                     |
| 30210 84                             | 660 259         | AD-5000 246                     |
| 30310 85                             | 665 259         | AD-8115 352                     |
| 30410 86                             | 7000 218        | AD-8118 352                     |
| 308A-4-CP 274                        | 7000XLM 256     | AD-8121 353                     |
| 3410 66                              | 70210 130       | AD-8127 352                     |
| 3411 66                              | 72-N1 274       | AD-8920 336                     |
| 3420 67                              | 7400 264        | AD103C 329                      |
| 3421 67                              | 7400M 256       | AED 9101D 329                   |
| 350 258                              | 7500 265        | AG 198, 207                     |
| 350A 94                              | 7600 265        | AH 198                          |
| 350I 95                              | 7600E 264       | AK 199                          |
| 350N 94                              | 792 7           | Alleyway 235                    |
| 3510 68                              | 80210 131       | Alpha 101                       |
| 355 68                               | 80310 133       | Analog to Digital Converter 327 |
| 363 41                               | 808AH 333       | Analytical Weight Sets 316      |

Prices are subject to change without notice. Please call for current prices.

Other items are available from the manufacturers, please call for prices.



Anyload, 106MS 210  
 Anyload, 106TS 20  
 Anyload, 363TSM1 114  
 Anyload, 535AHM2 213  
 Anyload, 563 98  
 Anyload, 563YH 83  
 Anyload, 808AH 333  
 Anyload, Fat Foot module 210  
 Anyload, Summing Box 359  
 AP 199  
 APLSG 326  
 AQ 200  
 Argox, Direct Thermal Printer 337  
 Armor Braid 275  
 Artech, 20210 35  
 Artech, 30210 84  
 Artech, 30310 85  
 Artech, 30410 86  
 Artech, 70210 130  
 Artech, 80210 131  
 Artech, 80310 133  
 Artech, 90310 4  
 Artech, Compression Mount 14  
 Artech, SS30310 85  
 Artech, SS30510 86  
 Artech, SS80310 131  
 Artech, WM-III 132  
 ASC 23  
 Atlas column 215  
 Aurora 334  
 Avery, ZM303 260

## B

B24746 15  
 B35 72  
 B3G 51  
 B6E 201  
 B6G 201  
 B6N 202  
 B8D 77  
 Balance Calibration Weights 313, 314, 315  
 Ball & Socket 107  
 Ball Cup or Cone 283  
 Bar Code 337, 338, 339, 340, 341, 342  
 Base 214, 215, 216, 217, 218, 219, 220, 221, 222, 223, 224, 225, 226, 227  
 BBS 69  
 BCA 182  
 BCM 182  
 Beam 52, 53, 54, 55, 56, 57, 58, 59, 60, 61, 62, 63, 64, 65, 66, 67, 68, 69, 70, 71, 72, 73, 74, 75, 76, 77, 78, 79, 80, 81, 82, 83, 84, 85, 86, 87, 88, 89, 90, 91, 92, 93, 94, 95, 96, 97, 98, 99, 100, 101, 102, 103, 104  
 Beam feet 288, 289, 290  
 BLC 71, 76  
 BLH Nobel, HTZ 212  
 BLH, Alpha 101  
 BLH, C2P1 5  
 BLH, C3P1 5  
 BLH, DXP-40 329  
 BLH, HTK 101  
 BLH, KIS-1 102

BLH, KIS-2 103  
 BLH, KIS-3 104  
 BLH, Load Cell Cable 274  
 BLH, T2P1 25  
 BLH, T3P1 25  
 BLH, Z-BLOK 104  
 BM14G 19  
 BM6A 203  
 Bolts 287  
 Bonding Braid 296  
 Brass Mass 318  
 Brecknell, SBI-505 258  
 Bridgesensor 331  
 BSA 91  
 BSP 45  
 BSS 47

## C

C16 10  
 C2 13  
 C2G1 196  
 C2P1 5  
 C3P1 5  
 Cable 272, 273, 274, 275  
 Calex, 460 330  
 Calex, summing transmitter 328  
 Canister 2, 3, 4, 5, 6, 7, 8, 9, 10, 11, 12, 13, 14, 15, 16, 17, 18, 19, 20, 21, 22, 23, 24, 25, 26, 27, 28, 29  
 Cardinal, 185B 249  
 Cardinal, 190 248  
 Cardinal, 190DC 248  
 Cardinal, 200 249  
 Cardinal, 201 331  
 Cardinal, 204 250  
 Cardinal, 205 251  
 Cardinal, 210 251  
 Cardinal, 210FE 250  
 Cardinal, 225 250  
 Cardinal, Beam foot Assembly 291  
 Cardinal, CB6 93  
 Cardinal, DB-50000 137  
 Cardinal, LFB 92  
 Cardinal, SB 92  
 Cardinal, SP-L 189  
 Cardinal, SP-LM 188  
 Cardinal, TB 93  
 Cardinal, TSSP 189  
 Cas, BCA 182  
 Cas, BCM 182  
 Cas, BSA 91  
 Cas, CI-200 254  
 Cas, CI-2001 253  
 Cas, SBA 49  
 Cas, X320 255  
 Cast Iron Test Weights 306, 307  
 CB 50  
 CB17 196  
 CB6 93  
 CBBF 288  
 CBM-910II 350  
 Celtron, DSR 124  
 Celtron, DSR-HSS 125

Celtron, LCD 9  
 Celtron, LPS 183  
 Celtron, SQB-H 84  
 CFS 98  
 CG-1250 363  
 CG-22 184  
 CG-26S1 10  
 CG-26S7 19  
 CG-50-1 186  
 CG-5223 135  
 CG-58 135  
 CG-94 16  
 CG-BE40 136  
 CG-DB 134  
 CG-FB 185  
 CG-FLS 185  
 CG-JRT 14  
 CG-ML1200 143  
 CG-RTM 108  
 CG-SPL 187  
 CG-SPLM 186  
 CG-SSW 119  
 CG-STR 134  
 CG-STR1 136  
 CG-WB 100  
 CG-WBL-SS 99  
 CG262 20  
 CG26S 17  
 CG26S3 17  
 CI-2001 253  
 CI-200A 254  
 Citizen, CBM-910II 350  
 Citizen, iDP-3550 350  
 Citizen, iDP-562 350  
 Clevis 278  
 Clevis-Stainless steel 278  
 CMB-910 343  
 CNcell, PA6140 91  
 Condec, UMC555 252  
 Condec, UMC600 252  
 Condec, UMC600IS 322  
 Conduit adapter 363  
 Connecting Links 279  
 Connectors 272, 273  
 Coti Global, CG-16-SSW 119  
 Coti Global, CG-22 184  
 Coti Global, CG-26S7 19  
 Coti Global, CG-50-1 186  
 Coti Global, CG-5223 135  
 Coti Global, CG-58 135  
 Coti Global, CG-94 16  
 Coti Global, CG-BE40 136  
 Coti Global, CG-DB 134  
 Coti Global, CG-FB 185  
 Coti Global, CG-FLS 185  
 Coti Global, CG-JRT 14  
 Coti Global, CG-ML1200 143  
 Coti Global, CG-RTM 108  
 Coti Global, CG-SPL 187  
 Coti Global, CG-SPLM 186  
 Coti Global, CG-STR 134  
 Coti Global, CG-STR1 136  
 Coti Global, CG-WB-SS 100  
 Coti Global, CG-WBL-SS 99

# Index

Coti Global, CG26S 17  
Coti Global, CG26S1 10  
Coti Global, CG26S2 20  
Coti Global, CG26S3 17  
Coti Global, SS-334/45 360  
CP 2  
CSB-40 359  
CSP 2

## D

D 219  
D1250 183  
Datamax, DPT 347  
Datamax, I-4208 348  
Datamax, M-Class Mark II 347  
DB 137  
DB-25P 273  
DBF 290  
DC16 22  
DF2SR 179  
Diamond, BLC 76  
Diamond, D1250 183  
Diamond, DC16 22  
Diamond, DS 37  
Diamond, DS-JB 362  
Diamond, DS-SS 36  
Diamond, DSB 74  
Diamond, DSB-M 74  
Diamond, DSB-SSH 75  
Diamond, DSB-SSP 75  
DMS 214  
DMX-M-4206 347  
Doran, 2200 254  
Doran, 4300M 255  
Doran, 7000XL 256  
Doran, 7400M 256  
Doran, 8100IS 320  
Doran, Atlas Column 215  
Doran, DMS 214  
Doran, DS100 257  
Doran, DSS 214  
Doran, DXL7000 215  
DS 37  
DS-JB-4-E-SS 362  
DS-SS 36  
DS100 257  
DSB 74  
DSB-M 74  
DSB-SSH 75  
DSB-SSP 75  
DSR 124  
DSR-HSS 125  
DSS 214  
DT2x 338  
DXL 215  
DXP-40 329

## E

E250 358  
EBF 288  
Eltron, LP-2022 339  
EM2025 296

Emery, Diaphragm Kit 15  
Emery, Totalizer 15  
EP 200  
Epelsa, STR 138  
Epson, TM-U220 351  
Epson, TM-U295 345  
Epson, TM-U590 345  
Explosion Proof Junction Box 323  
Eye Bolts 279  
Eye Bolts-Stainless Steel 279  
Eyes Nuts 277  
EZII 140  
EZMI 127, 129, 130

## F

F60X 96  
Fairbanks Foot Assembly 290  
Fairbanks, 9101 111  
Fairbanks, FB2250 259  
Fairbanks, Sectional Controller 361  
FASB 194  
Fat foot module 210  
FAV 194  
FB2250 259  
Flintec, PB 90  
Flintec, PC1 190  
Flintec, PC30 191  
Flintec, PC46 192  
Flintec, PC6 190  
Flintec, PC7 191  
Flintec, PCB 193  
Flintec, RC1 18  
Flintec, RC3 28  
Flintec, SB14 89  
Flintec, SB4 88  
Flintec, SB5 88  
Flintec, SB6 90  
Flintec, SB8 87  
Flintec, SLB 89  
Flintec, UB1 46  
Flintec, UB6 45  
Floor Scale Kit 229, 230, 231  
Fluid Damped 205, 206, 207, 208, 209  
Foot cell 210  
Foot Retainer 285  
Forged Shackles 282  
FormasDePago 364  
FS-D 242

## G

GB743 78  
GB745 59  
GBH35 79  
GC2G1 169  
GC2L1 169  
GDE03 129  
GDE16 122  
GDE16-SSW 123  
GDE23 139  
General Sensor, GB743 78  
General Sensor, GBH35 79  
General Sensor, GC2G1 169

General Sensor, GC2L1 169  
General Sensor, GDE03 129  
General Sensor, GDE16 122  
General Sensor, GDE16-SSW 123  
General Sensor, GDE23 139  
General Sensor, GF-11 21  
General Sensor, GPWS 170  
General Sensor, GS 34  
General Sensor, GS-FLS 170  
General Sensor, GS-JB 362  
General Sensor, GS-SS 34  
General Sensor, GS1022 164  
General Sensor, GS1022-SS 164  
General Sensor, GS1042 165  
General Sensor, GS1042-SS 165  
General Sensor, GS1130 167  
General Sensor, GS1240-SS 166  
General Sensor, GS1241 166  
General Sensor, GS1250 168  
General Sensor, GS1260 168  
General Sensor, GSB 78  
General Sensor, GSE 79  
General Sensor, GSFK 231  
General Sensor, LPD 9  
GF-11 21  
GK420D 340  
Godex, Direct Thermal Printer 338  
Godex, ZX1300i 344  
GPWS 170  
Ground Strap 296  
Group Four, CB 50  
Group Four, SB 50  
GS 34  
GS-FLS 170  
GS-JB-4 362  
GS-SS 34  
GS1022 164  
GS1022-SS 164  
GS1042 165  
GS1130-SS 167  
GS1240-SS 166  
GS1241 166  
GS1250 168  
GS1260 168  
GSB 78  
GSE 79  
GSE-350 322  
GSE-560 258  
GSE, 350 258  
GSE, 350-IS 322  
GSE, 460 259  
GSE, 560 258  
GSE, 660 259  
GSE, 665 259  
GSFK 231  
GX420D 340

## H

H35 69  
H8C 77  
H8C-C3-500KG-4B-SC 76  
Hazardous 273, 320, 321, 322, 323, 324  
Hazardous Blue Jacket Cable 273

Hazardous Floor Base 324  
 HBM, AD103C 329  
 HBM, B35 72  
 HBM, BBS 69  
 HBM, BLC 71  
 HBM, C16 10  
 HBM, C2 13  
 HBM, DF2SR 179  
 HBM, H35 69  
 HBM, HLC-A1 70  
 HBM, HLC-B1 70  
 HBM, Junction Box 361  
 HBM, PLC 179  
 HBM, PW10 173  
 HBM, PW12 173  
 HBM, PW15AH 174  
 HBM, PW15B 174  
 HBM, PW15PH 175  
 HBM, PW22 177  
 HBM, PW25 176  
 HBM, PW27 176  
 HBM, PW29 177  
 HBM, PW2C 171  
 HBM, PW2D 171  
 HBM, PW4 172  
 HBM, PW6 172  
 HBM, PWS 179  
 HBM, RSC 30  
 HBM, RSCC3 31  
 HBM, RTM 109  
 HBM, RTN 12  
 HBM, RTNC3 12  
 HBM, S35 31  
 HBM, SP4 178  
 HBM, SP4 metric 178  
 HBM, U2A 28  
 HBM, WE2107 261  
 HBM, Z6 73  
 HBM, Z7A 72  
 HLC-A1 70  
 HLC-B1 70  
 Hole plug 363  
 HPS 195  
 HTK 101  
 HTZ 212

## I

I-4208 348  
 iDP-3550 350  
 iDP-562 350  
 IDS, IDS410 261  
 IDS, IDS430 261  
 IDS410 261  
 IDS430 261  
 IDS608 82  
 IDS950-4 361  
 Indicators 236, 237, 238, 239, 240, 241, 242, 243, 244, 245, 246, 247, 248, 249, 250, 251, 252, 253, 254, 255, 256, 257, 258, 259, 260, 261, 262, 263, 264, 265, 266, 267, 268, 269, 270  
 Insulated tension 276  
 Intercomp, SA2000 335

Intrinsically Safe 321  
 Intrinsic Safety Barrier 323

## J

J Box 356, 357, 358, 359, 360, 361, 362, 363  
 J12ES 359  
 Jam Nuts 286  
 Jam Nuts, Stainless steel 286  
 JB-FI 360  
 JB4SS 362  
 Junction Box 359

## K

KIS-1 102  
 KIS-2 103  
 KIS-3 104  
 KOSD 211

## L

L6E 202  
 L6G 203  
 Laumas, TLB 328  
 LC-II 302  
 LCD 9  
 LCP 295  
 Lead Security Seals 293  
 LFB 92  
 LFR 290  
 Line Conditioner 296  
 Livestock Kit 234, 235  
 Load Button 283  
 Load Cell Cable 275  
 Load cell insulators 281  
 Load Cup 283  
 Load Pins 211, 212, 213  
 Lodec, truck load cell 143  
 LP2022 339  
 LPD 9  
 LPS 183

## M

M6900 217  
 Marking pliers 292  
 Metric Gram Mass Sets 317  
 moisture 294  
 Mount for 5103 126, 128  
 Mounting 276, 277, 278, 279, 280, 281, 282, 283, 284, 285, 286, 287, 288, 289, 290, 291  
 Mounting plate 284  
 MP 235  
 MS3101A 272  
 MS3102A 272  
 MS3106A 272  
 MTL-7700 323  
 MW2001 270

## N

NBB 81  
 NBF 290  
 Nikkei, NBB-SS 81  
 Nikkei, NJB 359

Nikkei, NS 39  
 Nikkei, NS-SS 38  
 Nikkei, NSB 80  
 Nikkei, NSB-SS 80  
 Nikkei, NSSB 81  
 Nikkei, NWB 82  
 NJB-4-SS 359  
 NM-44B 274  
 NMB, C2G1 196  
 NMB, CB17 196  
 NMB, U2D1 197  
 NS 39  
 NS-7 241  
 NS-SS 38  
 NSB 80  
 NSB-SS 80  
 NSSB 81  
 NVLAP Certificate 304, 305  
 NWB 82

## O

Ohaus, 3000 263  
 Ohaus, CBM-910 343  
 Ohaus, Defender 219  
 Ohaus, SF40A 349  
 Ohaus, STP-103 349  
 Ohaus, T31P 263  
 Ohaus, T32XW 263  
 Ohaus, T51XW 262  
 Okidata, 186 353  
 OS-213OD 337  
 Ovation 341  
 Ovation, Label Printer 341

## P

PA6140 91  
 PB 90  
 PC1 190  
 PC30 191  
 PC46 192  
 PC6 190  
 PC7 191  
 PCB 193  
 Pennsylvania, 6400 216  
 Pennsylvania, 6900 217  
 Pennsylvania, 7000 218  
 Pennsylvania, 7400 264  
 Pennsylvania, 7500 265  
 Pennsylvania, 7600 265  
 Pennsylvania, 7600E 264  
 PLC 179  
 poly & wire seal 292  
 Portable Base 228  
 Power 295, 296  
 Power Supplies 325  
 power supply cord 295  
 Precision Analytical Weights 316  
 Printers 343, 344, 345, 346, 347, 348, 349, 350, 351, 352, 353, 354, 355  
 Process 325, 326, 327, 328, 329, 330, 331  
 Process control 326  
 PS-2010T 327

# Index

PUE 269  
Pushbutton Station 325  
PW10 173  
PW12 173  
PW15AH 174  
PW15B 174  
PW15PH 175  
PW22 177  
PW25 176  
PW27 176  
PW29 177  
PW2C 171  
PW2D 171  
PW4 172  
PW6 172  
PWS 179

## Q

Quick link 282  
Quicksilver 321

## R

Radwag, PUE 269  
RBF 290  
RC1 18  
RC3 28  
Remote 332, 333, 334, 335, 336  
Revere T, RLC 115  
Revere, 263D 41  
Revere, 363 41  
Revere, 462 195  
Revere, 5102 63  
Revere, 5103 126, 128  
Revere, 5123 62  
Revere, 5223 140  
Revere, 5723 65  
Revere, 792 7  
Revere, 9103 127  
Revere, 9123 62  
Revere, 9323 141  
Revere, 9363 40  
Revere, 9423 141  
Revere, 9523 64  
Revere, ACB 63  
Revere, ASC 23  
Revere, BSP 45  
Revere, CP 2  
Revere, CSP 2  
Revere, EZII 140  
Revere, EZMI 127, 129, 130  
Revere, HPS 195  
Revere, RLC 115  
Revere, SHB 65  
Revere, SSB 64  
Revere, USP1 24  
RF 267  
Rhino, CFS 98  
Rice Lake, 920i 268  
Rice Lake, JB4SS 362  
Rice Lake, RLPCBC-60 200  
RL-480 268  
RLC 115

RLPCBC-60 200  
Rod Ends 276  
RSC 30  
RSCC3 31  
RTM 109  
RTNC3 12  
Rubber-Bumper 291

## S

S Type 30, 31, 32, 33, 34, 35, 36, 37, 38, 39,  
40, 41, 42, 43, 44, 45, 46, 47, 48, 49, 50, 51  
S3 234  
S35 31  
SA2000 335  
Samsung, SRP-270 351  
SB 50, 92  
SB14 89  
SB4 88  
SB5 88  
SB6 90  
SB8 87  
SBA 49  
SBF 289  
SBI-505 258  
SBS 83  
Scaime, AG 198, 207  
Scaime, AH 198  
Scaime, AK 199  
Scaime, AP 199  
Scaime, AQ 200  
Scaime, CPJ 326  
Scaime, EP 200  
Scaime, F60X 96  
Scaime, Stabiflex 111  
Scale foot 288  
Scotchcast, Splicing kit 274  
SDS, IDS608 82  
seal press 293  
Security Seals 292, 293  
Sensortronics, 1605 116  
Sensortronics, 1605-SS 117, 118, 119, 125  
Sensortronics, 60001 42  
Sensortronics, 60030 55  
Sensortronics, 60036 44  
Sensortronics, 60040 55  
Sensortronics, 60048 180  
Sensortronics, 60050 43  
Sensortronics, 60051 180  
Sensortronics, 60060 181  
Sensortronics, 60063 47  
Sensortronics, 65016 116  
Sensortronics, 65016W-SS 117  
Sensortronics, 65016WH-SS 118  
Sensortronics, 65023 52  
Sensortronics, 65023-SS 53  
Sensortronics, 65040 146  
Sensortronics, 65058 142, 147  
Sensortronics, 65059 110  
Sensortronics, 65061 147  
Sensortronics, 65083 54  
Sensortronics, 65083H 55  
Sensortronics, 65083S 54  
Sensortronics, 65088 4

Sensortronics, 65114 23  
Sensortronics, TSA 142  
Serial to 20ma 342  
SF40A 349  
Shackle load cell 213  
SHB 65  
Simulator 297  
Simulators 299  
Single Point 148, 149, 150, 151, 152, 153,  
154, 155, 156, 157, 158, 159, 160, 161, 162,  
163, 164, 165, 166, 167, 168, 169, 170, 171,  
172, 173, 174, 175, 176, 177, 178, 179, 180,  
181, 182, 183, 184, 185, 186, 187, 188, 189,  
190, 191, 192, 193, 194, 195, 196, 197, 198,  
199, 200, 201, 202, 203, 204  
SJC-4 356  
SLB 89  
Soldering Station 294  
Sorbit 294  
SP 188  
SP-L 189  
SP298 344  
SP4 178  
SP4M 178  
Spacer 284  
Spherical Washer Beam Mount 105  
Spherical Washer pair 282  
Splice Box 274  
SQB 84  
SRP-200 351  
SS-34AS 360  
SS30310 85  
SS30510 86  
SS80310 131  
SSB 64  
Stabiflex 111  
Stainless Steel Mass 319  
Stainless Steel Rod Ends 276  
stainless steel weights 308, 309  
Star, SP298 344  
STP-103 349  
STR 138  
Strain reliefs 363  
Strain reliefs-corrosion proof 363  
Summing box 356  
Summing Junction Box 357, 358  
Supplies 292, 293, 294

## T

T Belting 271  
T-belting 271  
T-Grip belting 271  
T-Scale, NS7 241  
T1241 149  
T2.5x2.5-1K-HD 224  
T2P1 25  
T2x2-1K-SS 225  
T32MC 263  
T32ME 263  
T3P1 25  
T408 112  
T408-SS 112  
T42 27

T43 27  
 T4710 331  
 T4720 331  
 T496 8  
 T500E 237  
 T500ESS 237  
 T51XW 262  
 T62 29  
 T63 29  
 T7-P 240  
 T752 8  
 T92 11  
 T93 11  
 T96 8  
 TAA 277  
 TAC 301  
 Tank 108, 109, 110, 111, 112, 113, 114, 115, 116, 117, 118, 119, 120, 121, 122, 123, 124, 125, 126, 127, 128, 129, 130  
 Tank Mount 105, 106, 107  
 Tank Scale Kit 232, 233  
 TB 93  
 TB2 59  
 TB32 144  
 TB743 60  
 TB745 57  
 TB9523 57  
 TBF 289  
 TBF-M 288  
 TBH35 57  
 TBM4 58  
 TBSM 107  
 TBT 220  
 TBT-SS 222  
 TC-C2P1 7  
 TC3P1 6, 26  
 TCM 113  
 TCP1 3  
 TCSP1 3  
 TDB-1K 228  
 TDE03 128  
 TDE16 120  
 TDE16-SS 121  
 TDE23 145  
 TDE40 145  
 TDE58 144  
 TDLC 327  
 TDLC-Din 327  
 Tedea, 1004 162  
 Tedea, 1010 154  
 Tedea, 1015 154  
 Tedea, 1022 155  
 Tedea, 1030 155  
 Tedea, 1040 156  
 Tedea, 1042 157  
 Tedea, 1130 158  
 Tedea, 1140 156  
 Tedea, 1142 157  
 Tedea, 120 22  
 Tedea, 1240 159  
 Tedea, 1250 158  
 Tedea, 1260 160  
 Tedea, 1260 metric 160  
 Tedea, 1260S 159  
 Tedea, 1263 161  
 Tedea, 1320 161  
 Tedea, 1410 206  
 Tedea, 1510 163  
 Tedea, 220 21  
 Tedea, 240 208  
 Tedea, 3410 66  
 Tedea, 3411 66  
 Tedea, 3420 67  
 Tedea, 3421 67  
 Tedea, 3510 68  
 Tedea, 355 68  
 Tedea, 614 46  
 Tedea, 620 48  
 Tedea, 9010 205  
 Teflon liner 276  
 Tension Alignment Assembly 277  
 Tension cable 280  
 Tension Mounting Assembly 277  
 Tension Mounting Bolt 278  
 Terms 365  
 Test 297, 298, 299, 300, 301, 302  
 TFB 153  
 TFK 229  
 TFK-SS 230  
 TGB 226  
 Threaded adapters 281  
 THWM 114  
 TI-1680 269  
 TI-500EP 266, 336  
 TI-500SL 266  
 TI-700K 267  
 TIK 292  
 TJB61 356  
 TLB 223, 328  
 TLI 236  
 TM-SC 106  
 TM-U220 351  
 TM-U295 345  
 TM-U590 345  
 TM16 120, 122, 124  
 TM16-SS 121, 123  
 TM59 106  
 TMAI 276  
 Toledo, Mounting Assembly Parts 108  
 Totalcomp, Auto Cal System 301  
 Totalcomp, Belting 271  
 Totalcomp, Galvanized 226  
 Totalcomp, GB745 59  
 Totalcomp, Hard Cases 310  
 Totalcomp, Heavy Duty 224  
 Totalcomp, Heavy duty base 225  
 Totalcomp, Load Bars 235  
 Totalcomp, T1241 149  
 Totalcomp, T408 112  
 Totalcomp, T42 27  
 Totalcomp, T43 27  
 Totalcomp, T4710 331  
 Totalcomp, T4720 331  
 Totalcomp, T496 8  
 Totalcomp, T500 237  
 Totalcomp, T62 29  
 Totalcomp, T63 29  
 Totalcomp, T7-P 240  
 Totalcomp, T752 8  
 Totalcomp, T92 11  
 Totalcomp, T93 11  
 Totalcomp, T96 8  
 Totalcomp, TB2 59  
 Totalcomp, TB32 144  
 Totalcomp, TB743 60  
 Totalcomp, TB745 57  
 Totalcomp, TB9523 57  
 Totalcomp, TBM4 58  
 Totalcomp, TBT 220  
 Totalcomp, TBT-SS 222  
 Totalcomp, TC-C2P1 7  
 Totalcomp, TC3P1 6, 26  
 Totalcomp, TCM 113  
 Totalcomp, TCP1 3  
 Totalcomp, TCSP1 3  
 Totalcomp, TDB 228  
 Totalcomp, TDE03 128  
 Totalcomp, TDE16 120  
 Totalcomp, TDE16-SS 121  
 Totalcomp, TDE23 145  
 Totalcomp, TDE40 145  
 Totalcomp, TDE58 144  
 Totalcomp, TFB 153  
 Totalcomp, TFK 229  
 Totalcomp, TFK-SS 230  
 Totalcomp, THWM 114  
 Totalcomp, TLB 223  
 Totalcomp, TLI 236  
 Totalcomp, TM-SC 106  
 Totalcomp, TM16 120, 122, 124  
 Totalcomp, TM16-SS 121, 123  
 Totalcomp, TM59 106  
 Totalcomp, TP-FLS 151  
 Totalcomp, TP-MK21 152  
 Totalcomp, TP-MK4D 150  
 Totalcomp, TP-MK4D-SS 150  
 Totalcomp, TP40 148  
 Totalcomp, TP40-SS 148  
 Totalcomp, TP462 151  
 Totalcomp, TPB 221  
 Totalcomp, TPB-SS 223  
 Totalcomp, Transducer Simulator 299  
 Totalcomp, TRC1 18  
 Totalcomp, TRWS 239  
 Totalcomp, TS 32  
 Totalcomp, TS-101 297  
 Totalcomp, TS-SS 33  
 Totalcomp, TSB 56  
 Totalcomp, TSB-SS 56  
 Totalcomp, TSB3 58  
 Totalcomp, TSC 330  
 Totalcomp, TSCA 16  
 Totalcomp, TSP51 149  
 Totalcomp, TSR-L 332  
 Totalcomp, TT2P1 26  
 Totalcomp, TTK 233  
 Totalcomp, TTK-SS 232  
 Totalcomp, TTM 109  
 Totalcomp, TUSP1 24  
 Totalcomp, TWLC 336  
 Totalcomp, TWP 238  
 Totalcomp, TYJ-360-D 343

Totalcomp, TZ6 61  
Totalcomp, Versadeck 227  
Totalcomp. TBH35 57  
TP-FLS 151  
TP-MK-SS 150  
TP-MK21 152  
TP-MK4D 150  
TP40 148  
TP40-SS 148  
TP462 151  
TPB 221, 223  
TPC 310  
TR-3030 227  
Traceable Certificate 304, 305  
Transcell, BSS 47  
Transcell, FASB 194  
Transcell, FAV 194  
Transcell, JB-FI 360  
Transcell, MP-20 346  
Transcell, RF 267  
Transcell, SBS 83  
Transcell, TI-1680 269  
Transcell, TI-500EP 336  
Transcell, TI-500P 266  
Transcell, TI-500SL 266  
Transcell, TI-700K 267  
Transducer Simulator 300  
Transducer simulators 299  
transient protector 295  
TRC1 18  
Troemner, Weight case 317  
Troemner, weights 304, 305  
Tru Test, MP 235  
Tru Test, XR-5000 234  
Tru-Test, Alleyway 235  
Tru-Test, Indicator Opt 234  
Tru-Test, S3 234  
Truck 131, 132, 133, 134, 135, 136, 137, 138,  
139, 140, 141, 142, 143, 144, 145, 146, 147  
TRWS 239  
TS 32, 299  
TS-101 Simulator 297  
TS-350 300  
TS-8V Simulator 300  
TS-SS 33  
TSB 56  
TSB-SS 56  
TSB3 58  
TSC 330  
TSCA 16  
TSP51 149  
TSR 332  
TSSP 189  
TSWM 105  
TT2P1 26  
TTK3 233  
TTK3-SS 232  
TTK4 233  
TTK4-SS 232  
TTM 109  
TUSP1 24  
TV 227  
TW 311

TWLC 336  
TWP 238  
TYJ-360-D 343  
TZ6 61  
**U**  
U2A 28  
U2D1 197  
UB1 46  
UB6 45  
UMC555 252  
UMC600 252  
UMC600IS 322  
Unibridge, J-box 356  
Uninterruptible Power Supply 296  
USP1 24  
Utilcell, 260 209  
Utilcell, 300 95  
Utilcell, 350A 94  
Utilcell, 350I 95  
Utilcell, 350N 94

**V**  
Vishay, 0505H 204  
Vishay, Compression Mount 13  
Vishay, KOSD 211  
Vishay, LC-II 302  
Vishay, Web Tension Transmitter 327  
VKK1-4A 361

**W**  
Washer 287  
WBLH 96  
WBP 97  
WBT 97  
WE2107 261  
Weigh-Tronix, WBL 97  
Weigh-Tronix, WBLH 96  
Weigh-Tronix, WBP 97  
Weigh-Tronix, WBT 97  
weight case 317  
Weight Set 312  
WeighTech, MW2001 270  
Weights 303, 304, 305, 306, 307, 308, 309,  
310, 311, 312, 313, 314, 315, 316, 317, 318,  
319  
Western Weighing, Aurora 334  
WF-1/2-13x1-3/4 288  
WM-III 132  
WM-VI 14

**X**  
X320 255  
XR-5000 234

**Z**  
Z-BLOK 104  
Z6 73  
Z7A 72  
Zebra, Direct Thermal Printer 340

Zemic, B6E 201  
Zemic, B6G 201  
Zemic, B6N 202  
Zemic, B8D 77  
Zemic, BM14G 19  
Zemic, BM6A 203  
Zemic, H3G 51  
Zemic, H8C 77  
Zemic, H8C-C3 76  
Zemic, L6E 202  
Zemic, L6G 202  
ZM-401 260  
ZM303 260  
ZX1300i 344

## Tension Load Cell Thread Sizes

| Model     | 1/4-28 | 3/8-24  | 1/2-20   | 3/4-16 | 1-14   | 1 1/4-12 | 1 1/2-12 | 2-12 | 2 1/2-12  | 3-8  | 4-8       |
|-----------|--------|---------|----------|--------|--------|----------|----------|------|-----------|------|-----------|
| USP       |        | 100-250 | 500-2.5K |        | 5K-10K |          | 25K      | 50K  |           | 100K | 200K-300K |
| T3P1      |        |         | 500-3K   |        | 5K-10K |          |          |      |           |      |           |
| T2P1      |        |         |          |        |        |          | 20K      | 50K  |           |      |           |
| 42, 43    |        |         |          |        | 5K-10K |          | 20K-50K  | 100K | 200K-250K |      |           |
| TC33      |        | 250     | 500-2.5K |        | 5K-10K |          | 25K      | 50K  |           |      |           |
| TC31      |        |         | 500-3K   |        | 5K-10K |          |          |      |           |      |           |
| TC21      |        |         |          |        |        |          | 20K      | 50K  |           |      |           |
| 62, 63    |        | 100-300 | 500-3K   |        |        |          |          |      |           |      |           |
| RSC       |        | 50-300  | 500-3K   | 5K-10K |        |          |          |      |           |      |           |
| TS2       |        | 50-300  | 500-3K   | 5K-10K |        |          |          |      |           |      |           |
| USB       |        | 200     | 500-3K   | 10K    |        |          |          |      |           |      |           |
| BSP       |        | 100-250 | 500-2.5K |        | 5K-10K |          |          |      |           |      |           |
| TS        | 25-300 |         | 500-3K   | 5K-10K | 15K    | 20K      | 30K-40K  |      |           |      |           |
| NS        | 25-300 |         | 500-3K   | 5K-10K | 15K    | 20K      |          |      |           |      |           |
| GS        | 25-300 |         | 500-3K   | 5K     |        |          |          |      |           |      |           |
| GS-SS     |        |         | 250-3K   |        |        |          |          |      |           |      |           |
| 20210     | 25-300 |         | 500-3K   | 5K-10K | 15K    | 20K      |          |      |           |      |           |
| 263D      |        |         | 500-3K   |        |        |          |          |      |           |      |           |
| 363, 9363 | 50-300 |         | 500-3K   | 5K-10K |        |          |          |      |           |      |           |
| 60036     | 50-300 |         |          |        |        |          |          |      |           |      |           |
| 60001     | 25-150 | 250     | 500-3K   | 5K-10K | 15K    | 20K      |          |      |           |      |           |

**Note:** Thread size 1/2-20 refers to a 1/2" O.D. having 20 threads per inch of length.



13-01 Pollitt Dr Ext  
Fair Lawn NJ  
07410  
USA

Change Service Requested

BOUND PRINTED  
MATTER  
U.S. POSTAGE PAID  
PARAMUS, NJ  
PERMIT 545

**Mail Room Supervisor:** Our customer at your location has requested this catalog. If this catalog cannot be delivered as addressed, please forward to your company's Purchasing Manager and call us at **201-797-2718** to update the changes.

If for any reason you need additional copies of this catalog, please us at **201-797-2718**



INTERNATIONAL  
SOCIETY OF  
WEIGHING AND  
MEASUREMENT

**write:** 13-01 Pollitt Dr Ext  
Fair Lawn NJ 07410

**phone:** 201-797-2718

**fax:** 201 797-2287

**browse:** [www.totalcomp.com](http://www.totalcomp.com)

**e-mail:** [sales@totalcomp.com](mailto:sales@totalcomp.com)