

DATA SHEET



RTN... Load cell

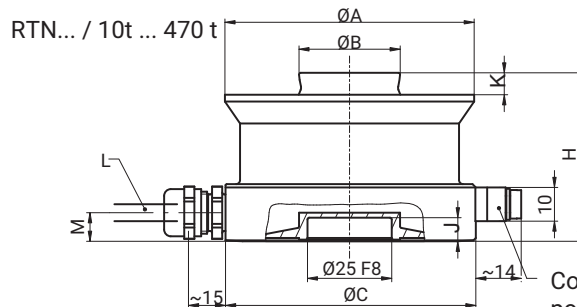
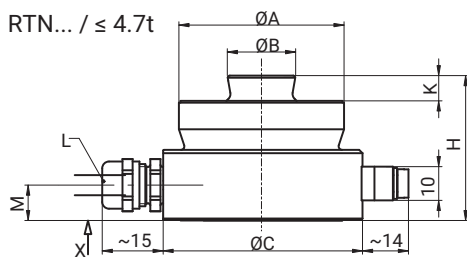
SPECIAL FEATURES

- Low height of construction
- Maximum capacities 1 t ...470 t
- Legal for trade in accordance with OIML C3 and C5
- Stainless materials
- Hermetically encapsulated, equipment protection level IP68 (optional: IP68/IP69K)
- Options facilitate adaptation to a wide variety of environmental conditions
- Explosion protection (optional)

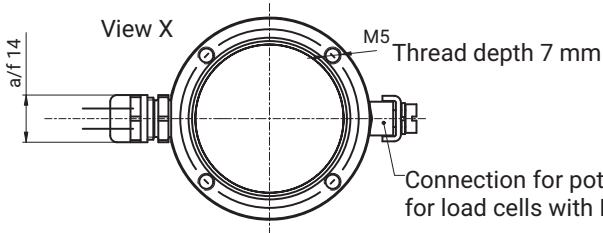


DIMENSIONS (MM)

Dimensions RTN

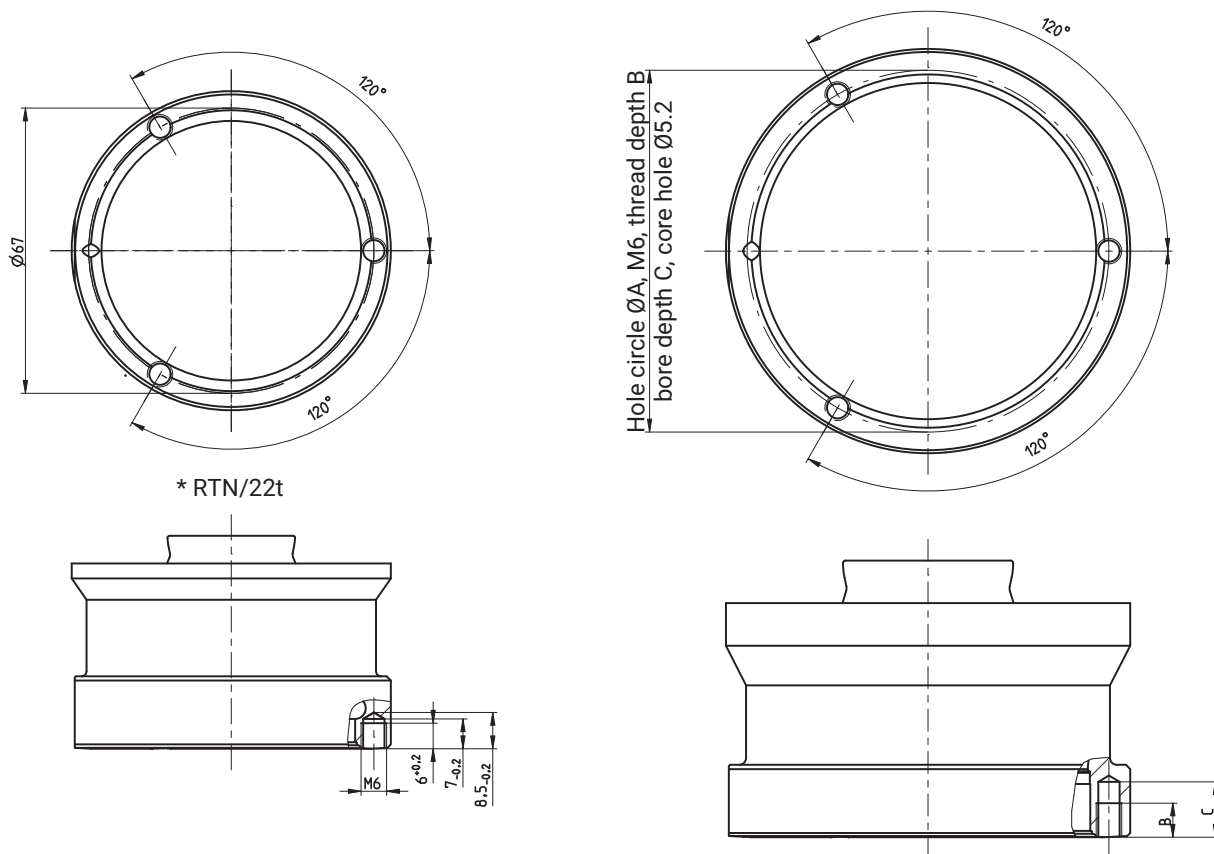


Connection for potential equalization for load cells with EX options



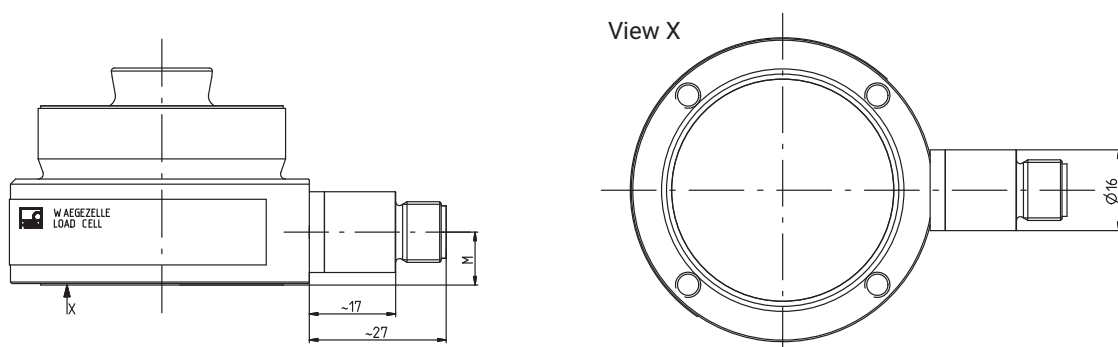
RTN...	1 t	2.2 t	4.7 t	10 t	15 t	22 t	33 t	47 t	68 t	100 t	150 t	220 t	330 t	470 t
ØA	49	49	49	74	75	75	95	130	130	150	150	225	225	270
ØB	20	20	20	30	30	30	40	60	60	70	70	100	100	120
ØC	60	60	60	75	75	75	95	130	130	150	150	225	225	270
H	43	43	43	50	50	50	65	75	85	90	100	130	144	170
J	-	-	-	7	7	7	7	7	7	7	7	10	10	10
K	7.5	7.5	7.5	6.5	6.5	6.5	10	14	14	16	16	24	24	28
L	5 m	5 m	5 m	5 m	5 m	15 m	15 m	15 m	15 m	15 m	5 m	5 m	5 m	5 m
M	10.5	10.5	10.5	8.5	8.5	8.5	8.5	8.5	8.5	8.5	8.5	11	11	11

Dimensions RTN with tapped holes in measuring body base (optional)



Type RTN/...	Hole circle $\varnothing A \pm 0.2$	Bore depth $C - 0.2$	Thread depth $B + 0.2$
10 t ... 15 t	67	13	8
22 t	67	7	6
33 t	85	13	8
47 t ... 68 t	119	13	8
100 t ... 150 t	142	13	8
220 t ... 330 t	210	13	8
470 t	251	13	8

Dimensions RTN with plug (optional)



RTN...	[t]	1	2.2	4.7	10	15	22	33	47	68	100	150
M	mm	10.5	10.5	10.5	8.5	8.5	8.5	8.5	8.5	8.5	8.5	8.5

SPECIFICATIONS

Type			RTN 0.05													
Accuracy class			0.05													
Number of load cell verification intervals	n_{LC}		-													
Maximum capacity	E_{max}	t	1	2.2	4.7	10	15	22	33	47	68	100	150	220	330	470
Minimum load cell verification interval	V_{min}	g	-													
Temperature coefficient of zero signal	TC_0	% of $C_n/10K$	± 0.3													
Rated output (nominal)	C_n	mV/V	2.85 ± 0.00285													
Temperature coefficient of sensitivity	TC_S	% of $C_n/10K$	± 0.05													
Relative reversibility error	d_{hy}	% of C_n	± 0.05													
Non-linearity	d_{lin}		± 0.05													
Dead load output return	MDLOR		± 0.03													
Input resistance	R_{LC}	Ω	4450 ± 100													
Output resistance	R_O		4010 ± 2													
Reference excitation voltage	U_{ref}	V	5													
Nominal (rated) range of the excitation voltage	B_U		5 ... 30													
Carrier frequency of excitation voltage			< 600													
Maximum excitation voltage		V	60													
Insulation resistance	R_{is}	G Ω	>20													
Nominal (rated) range of the ambient temperature	B_T	$^{\circ}C$	-10 ... +40													
Operating temperature range	B_{tu}		-25 ... +80 (option: up to +110) ¹⁾													
Storage temperature range	B_{tl}		-50...+85 ¹⁾ (option 5: Plug: -25...+85)													
Limit load	E_L	t	1.7	3.8	8	17	25	38	56	80	115	170	250	380	500	700
Limit lateral loading (static)		kN	1	1	1	10	10	10	12	20	20	26	26	50	50	90
Breaking load	E_d	t	4	9	19	40	60	88	130	190	270	400	600	770	1100	1500
Relative permissible oscillatory stress Oscillation width (peak-to-peak) as per DIN 50100 with 10,000,000 loading cycles	F_{srel}	% of E_{max}	70													
Rated displacement at E_{max} , approx.	s_{nom}	mm	0.13	0.12	0.12	0.17	0.18	0.21	0.25	0.33	0.35	0.45	0.57	0.67	0.80	1.00
Weight, approx.	m	kg	0.6	0.6	0.7	1.0	1.1	1.9	2.8	5.0	5.6	8.2	8.9	23.5	28.2	49.4
IP rating			IP68 ²⁾ (Option 6: IP68/ IP69K) ³⁾													
Material			Stainless steel 1.4542 ⁴⁾ Nickel-plated brass (optionally stainless steel) Thermoplast. Elastomer, RAL 7000 (gray), \varnothing 6.5 mm													

1) Mechanical fittings can be used to set limits.

2) Test condition water resistant 1 m/100h

3) As per EN 60 529

4) As per EN 10088-3

Type			RTN C3								
Accuracy class ⁵⁾			C3								
Number of load cell verification intervals	n_{LC}		3000								
Maximum capacity (1 ... 15 t)	E_{max}	t	1	2.2	4.7	10	15				
Minimum load cell verification interval	V_{min}	kg	0.05	0.11	0.235	0.5	075				
Maximum capacity (22 ... 470 t)	E_{max}	t	22	33	47	68	100	150	220	330	470
Minimum load cell verification interval	V_{min}	kg	1.1	1.65	2.35	3.4	5	7.5	11	16.5	23.5
Temperature coefficient of zero signal	TC_0	% of C_n	±0.007								
Temperature coefficient of sensitivity ⁶⁾	TC_S	/10K	±0.008								
Relative reversibility error ⁶⁾	d_{hy}	% of C_n	±0.02								
Non-linearity ⁶⁾	d_{lin}		±0.02								
Dead load output return	MDLOR		±0.0167								
Output resistance	R_0	Ω	4010 ±0.5								

Type			RTN C5							
Accuracy class ⁵⁾			C5							
Number of load cell verification intervals	n_{LC}		5000							
Maximum capacity	E_{max}	t	10	15	22	33	47	68		
Minimum load cell verification interval	V_{min}	kg	0.5	0.75	1.1	1.65	2.35	3.4		
Temperature coefficient of zero signal	TC_0	% of $C_n/10K$	±0.0070							
Rated output (nominal)	C_n	mV/V	2.85							
Temperature coefficient of rated output ⁶⁾	TC_S	% of $C_n/10K$	±0.0062							
Relative reversibility error ⁶⁾	d_{hy}	% of C_n	±0.012							
Non-linearity ⁶⁾	d_{lin}		±0.012							
Dead load output return	MDLOR		±0.01							
Input resistance	R_{LC}	Ω	4450 ±100							
Output resistance	R_0	Ω	4010 ±0.5							

5) As per OIML R60

6) The values for the temperature coefficient of sensitivity (TC_S), relative reversibility error (d_{hy}), and linearity deviation (d_{lin}) are recommended values. The sum of these values is within the accumulated error limit specified by OIML R60.

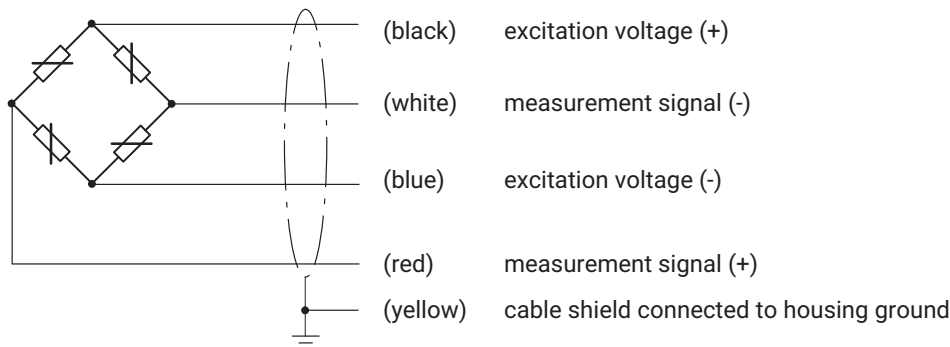
RTN CORROSION PROTECTION COATING (OPTION)

Protective spray coating over welding seam. Covered with paint coating.
Protective coating is rated according ISO 12944-2 class C5M.

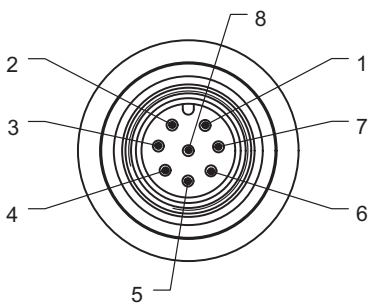


CABLE ASSIGNMENT RTN...

Connection with 4-wire cable with TPE cable sheath



CABLE ASSIGNMENT (OPTIONAL) RTN...



- Plug-in contact 1 = measurement signal (-)
- Plug-in contact 2 = not in use
- Plug-in contact 3 = sense lead (-)
- Plug-in contact 4 = not in use
- Plug-in contact 5 = sense lead (+)
- Plug-in contact 6 = excitation voltage (+)
- Plug-in contact 7 = excitation voltage (-)
- Plug-in contact 8 = measurement signal (+)

Equipment protection level IP68/IP69K is automatically achieved if the cable 1-KAB175-X-1 is used (see Accessories).

PRODUCT NUMBERS (OVERVIEW)

Type	RTN			
Accuracy class	0.05	C3 (OIML R60)	C5 (OIML R60)	
Maximum capacity [t]	Ordering number			Comment
1	1-RTN0.05/1T	1-RTNC3/1T		Cable length 5 m
2.2	1-RTN0.05/2.2T	1-RTNC3/2.2T		Cable length 5 m
4.7	1-RTN0.05/4.7T	1-RTNC3/4.7T		Cable length 5 m
10	1-RTN0.05/10T	1-RTNC3/10T	1-RTNC5/10T	Cable length 5 m
15	1-RTN0.05/15T	1-RTNC3/15T	1-RTNC5/15T	Cable length 5 m
22	1-RTN0.05/22T	1-RTNC3/22T	1-RTNC5/22T	Cable length 15 m
33	1-RTN0.05/33T	1-RTNC3/33T	1-RTNC5/33T	Cable length 15 m
47	1-RTN0.05/47T	1-RTNC3/47T	1-RTNC5/47T	Cable length 15 m
68	1-RTN0.05/68T	1-RTNC3/68T	1-RTNC5/68T	Cable length 15 m
100	1-RTN0.05/100T	1-RTNC3/100T		Cable length 15 m
150	1-RTN0.05/150T	1-RTNC3/150T		Cable length 5 m
220	1-RTN0.05/220T	1-RTNC3/220T		Cable length 5 m
330	1-RTN0.05/330T	1-RTNC3/330T		Cable length 5 m
470	1-RTN0.05/470T	1-RTNC3/470T		Cable length 5 m


ORDERING OPTIONS

ACCESSORIES

Connection cable for option 5: Connector


Ordering number	Comment
1-KAB168-5	Cable length 5 m, equipment protection level IP67, halogen-free
1-KAB168-20	Cable length 20 m, equipment protection level IP67, halogen-free
1-KAB175-3-1	Cable length 3 m, equipment protection level IP68/IP69K, halogen-free
1-KAB175-6-1	Cable length 6 m, equipment protection level IP68/IP69K, halogen-free
1-KAB175-12-1	Cable length 12 m, equipment protection level IP68/IP69K, halogen-free

Pendulum bearing VPN

	Ordering number	Comment
	1-RTN/2.2T/VPN	Pendulum bearing, 1 t and 2.2 t
	1-RTN/4.7T/VPN	Pendulum bearing, 4.7 t
	1-RTN/10T/VPN	Pendulum bearing, 10 t
	1-RTN/15T/VPN	Pendulum bearing, 15 t
	1-RTN/22T/VPN	Pendulum bearing, 22 t
	1-RTN/33T/VPN	Pendulum bearing, 33 t
	1-RTN/47T/VPN	Pendulum bearing, 47 t
	1-RTN/68T/VPN	Pendulum bearing, 68 t
	1-RTN/100T/VPN	Pendulum bearing, 100 t
	1-RTN/150T/VPN	Pendulum bearing, 150 t
	1-RTN/220T/VPN	Pendulum bearing, 220 t
	1-RTN/330T/VPN	Pendulum bearing, 330 t
	1-RTN/470T/VPN	Pendulum bearing, 470 t

For more detailed information, see Technical Drawings B04957 (1-100t) and B04956 (150-470t)

Rubber-metal bearing VEN

	Ordering number	Comment
	1-RTN/2.2T/VEN	Rubber-metal bearing, 1 t...2.2 t
	1-RTN/4.7TVEN	Rubber-metal bearing, 4.7 t
	1-RTN/22T/VENR	Rubber-metal bearing, 10 t ... 22 t, stainless
	1-RTN/33T/VEN	Rubber-metal bearing, 33 t
	1-RTN/47T/VEN	Rubber-metal bearing, 47 t
	1-RTN/68T/VEN	Rubber-metal bearing, 68 t
	1-RTN/100T/VEN	Rubber-metal bearing, 100 t
	1-RTN/150T/VEN	Rubber-metal bearing, 150 t
	1-RTN/220T/VEN	Rubber-metal bearing, 220 t
	1-RTN/330T/VEN	Rubber-metal bearing, 330 t
	1-RTN/470T/VEN	Rubber-metal bearing, 470 t

For more detailed information, see Technical Drawings B04958 (1-100t) and B04955 (150-470t)

Hottinger Brüel & Kjaer GmbH

Im Tiefen See 45 · 64293 Darmstadt · Germany
 Tel. +49 6151 803-0 · Fax +49 6151 803-9100
 www.hbkworld.com · info@hbkworl.com

Subject to modifications. All product descriptions are for general information only. They are not to be understood as a guarantee of quality or durability.