

**TLI**

**INDICATORS**



**Large display indicator**

## **An economical general purpose indicator when a large display is needed**

- ✓ **IP65 Rated - protected against low pressure jets of water**
- ✓ **Large 2" LCD display**
- ✓ **RS-232 - connects to a mini printer, label printer, or computer**
- ✓ **Check weighing and Animal weighing**



**Totalcomp**<sup>®</sup> Scales & Components

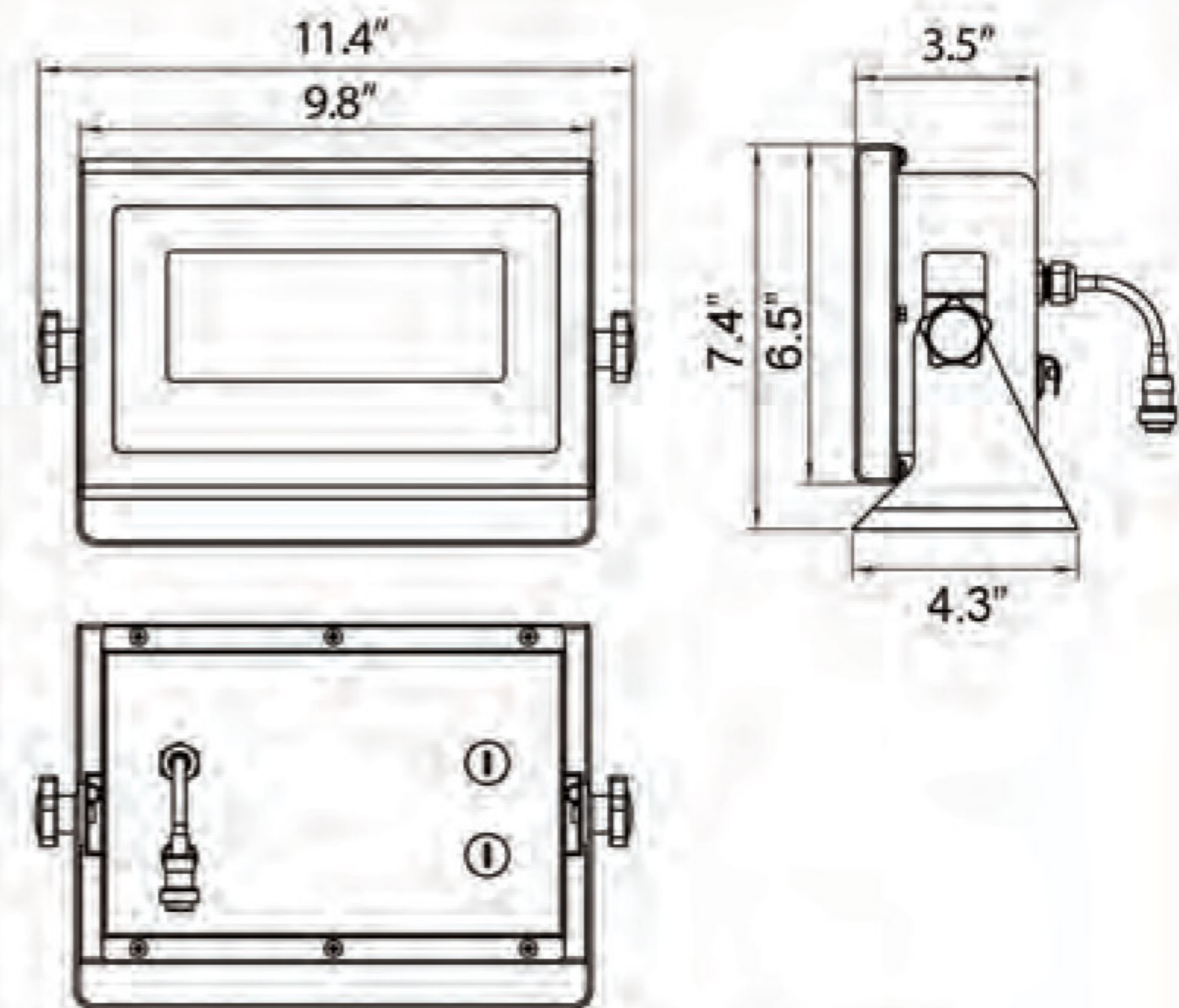
99 Reagent Lane • Fair Lawn, New Jersey 07410  
Fax: 201-797-2287 • Toll Free Fax: 888-797-2288 • Phone: 201-797-2718 • Toll Free Phone: 800-631-0347  
Email: [sales@totalcomp.com](mailto:sales@totalcomp.com) • Website: [www.totalcomp.com](http://www.totalcomp.com)

## TLI Indicator

The Totalcomp TLI indicator has a stainless steel housing which is IP65 rated along with a large LCD display with blue LED backlight. It can be used for a variety of applications and features multiple functions, a rechargeable battery that provides up to 70 hours of continuous use (without backlight), an RS-232 interface and a setpoint output.

### Specifications:

Display:	2" LCD display, with white color LED backlight
Keyboard:	7 keys
Housing:	Stainless Steel
Load cell voltage:	5V/150mA
Max.divisions:	30,000d
ADC:	Sigma delta
ADC update:	≤1/10 second
Operate temp:	0 C~+40 C
Power:	100-240 VAC to 12 VDC 500 mA AC Adapter, rechargeable battery(6V/4Ah)
Gross weight:	6lbs



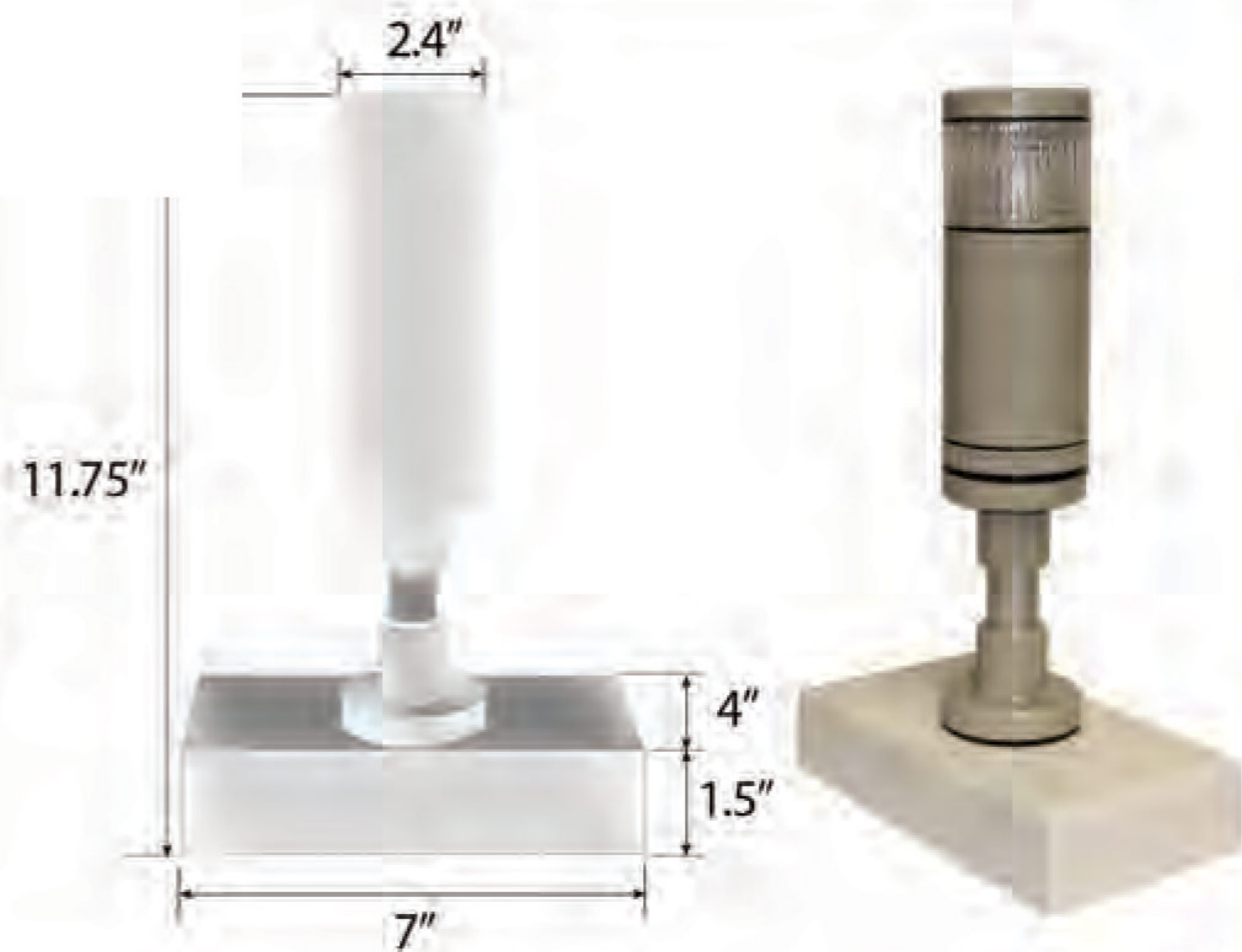
### Features:

- Easy to use-front panel configuration
- 2" LCD display, with blue color LED backlight
- Battery provide up to 70 hours of continuous use (without backlight) or light tower.
- Keyboard lock function
- Function include: tare, accumulation, check weighing animal weighing, net/gross shift, counting, weighing units conversion
- Units include: lb, kg, g, oz
- IP65 rated - protected against low pressure jets of water

### Options:

- RS-232 interface
- Setpoint and Light tower (HI/OK/LOW/BEEP)

Optional 3-color LED Light Tower



#### TOTALCOMP LIMITED WARRANTY

Totalcomp warrants this product to be free of defects in materials and/or workmanship and suitable for the purpose(s) intended as outlined on this sheet. This warranty is effective and shall cover the purchaser for one year from the date of shipment from our plant. If this product is found to be defective by our inspection in accordance with the above listed criteria, we will replace or repair it at our expense. For warranty service, please obtain a return authorization number from us and return the item, shipping prepaid, with a written description of the problem. We will respond promptly with the results of our evaluation.



# Totalcomp<sup>®</sup>

## Scales & Components

99 Reagent Lane  
Fair Lawn, NJ 07410  
Fax (201) 797-2287  
Toll Free Fax (888) 797-2288  
Phone (201) 797-2718  
Toll Free Phone (800) 631-0347  
Email [sales@totalcomp.com](mailto:sales@totalcomp.com)  
Website [www.totalcomp.com](http://www.totalcomp.com)