

Mounting Instructions | Montageanleitung | Notice de montage | Istruzioni per il montaggio

English

Deutsch

Français

Italiano



C2

Hottinger Baldwin Messtechnik GmbH
Im Tiefen See 45
D-64239 Darmstadt
Tel. +49 6151 803-0
Fax +49 6151 803-9100
info@hbm.com
www.hbm.com

Mat.: 7-2001.0073
DVS: A1683-2.0 HBM: public
11.2017

© Hottinger Baldwin Messtechnik GmbH.

Subject to modifications.
All product descriptions are for general information only.
They are not to be understood as a guarantee of quality or
durability.

Änderungen vorbehalten.
Alle Angaben beschreiben unsere Produkte in allgemeiner
Form. Sie stellen keine Beschaffenheits- oder Haltbarkeits-
garantie dar.

Sous réserve de modifications.
Les caractéristiques indiquées ne décrivent nos produits
que sous une forme générale. Elles n'impliquent aucune
garantie de qualité ou de durabilité.

Con riserva di modifica.
Tutti i dati descrivono i nostri prodotti in forma generica e non
implicano alcuna garanzia di qualità o di durata dei prodotti
stessi.

Mounting Instructions | Montageanleitung | Notice de montage | Istruzioni per il montaggio

English

Deutsch

Français

Italiano



C2

1	Safety instructions	3
2	Markings used	6
2.1	The markings used in this document	6
3	Conditions at the site of installation	7
3.1	Ambient pressure	7
3.2	Special information	7
4	Mounting instructions	8
5	Load introduction	9
6	Connection	10
6.1	Notes on cable routing	10
6.2	Connection technique	10
6.3	Parallel connection of more than one transducer	11
6.4	Connections using the four-wire technique	11
6.5	Cable extension	11
6.6	Notes on cable routing	12
7	Specifications	13
7.1	Mechanical Data	15
7.2	Options	15
8	Dimensions	16
8.1	Transducer	16
8.2	Mounting accessories	17

1 Safety instructions

The load cells can be used as machine components (e.g. with container weighing). Please note in these cases that, in order to provide a high sensitivity, the transducer is not designed with a safety factor which is normally applied in machine design. In cases where a breakage would cause injury to persons or damage to equipment, the user must take appropriate safety measures (such as fall protection, overload protection, etc.). For safe and trouble-free operation, load cells must not only be correctly transported, stored, sited and installed but must also be carefully operated and maintained.

In particular please take account of the following details given in *chapter 7 Specifications, on page 13*:

- Safe load limits,
- Lateral load limits,
- Breaking loads and
- Permissible dynamic loads.

The electronic system processing the measurement signal should be designed such that no consequential damage occurs as the result of failure of the measurement signal.

Use in accordance with the regulations

C2 load cells are conceived for weighing applications. Use for any additional purpose shall be deemed to be *not* in accordance with the regulations.

In the interests of safety, the load cells should only be operated as described in the Mounting Instructions. It is also essential to observe the appropriate legal and safety regulations for the application concerned during use. The same applies to the use of accessories.

The load cells are not safety elements within the meaning of its use as intended. Proper and safe operation of this transducer requires proper transportation, correct storage, assembly and mounting and careful operation and maintenance.

General dangers due to non-observance of the safety instructions

The C2 load cells correspond to the state of the art and are fail-safe. The load cells can give rise to residual dangers if they are inappropriately installed and operated by untrained personnel.

Everyone involved with the installation, commissioning, maintenance or repair of a force transducer must have read and understood the Mounting Instructions and in particular the technical safety instructions.

Residual dangers

The scope of supply and performance of the load cells covers only a small area of weighing technology. In addition, equipment planners, installers and operators should plan, implement and respond to the safety engineering considerations of weighing technology in such a way as to minimize residual dangers. Prevailing regulations must be complied with at all times. There must be reference to the residual dangers connected with weighing technology.

Environmental conditions

In the context of your application, please note that all materials which release chlorine ions will attack all grades of stainless steel and their welding seams. In such cases the operator must take appropriate safety measures.

Prohibition of own conversions and modifications

The load cells must not be modified from the design or safety engineering point of view except with our express agreement. Any modification shall exclude all liability on our part for any damage resulting therefrom.

Qualified personnel

These load cells are only to be installed by qualified personnel strictly in accordance with the technical data and with the safety rules and regulations which follow. It is also essential to observe the appropriate legal and safety regulations for the application concerned. The same applies to the use of accessories.

Qualified personnel means persons entrusted with the installation, fitting, commissioning and operation of the product who possess the appropriate qualifications for their function.



Accident prevention

Although the specified nominal capacity in the destructive range is several times the full scale value, the relevant accident prevention regulations from the trade associations must be taken into consideration.

2 Markings used

2.1 The markings used in this document

Important instructions for your safety are specifically identified. It is essential to follow these instructions in order to prevent accidents and damage to property.

Symbol	Significance
 CAUTION	This marking warns of a <i>potentially</i> dangerous situation in which failure to comply with safety requirements <i>can</i> result in slight or moderate physical injury.
Notice	This marking draws your attention to a situation in which failure to comply with safety requirements <i>can</i> lead to damage to property.
 Information	This marking draws your attention to information about the product or about handling the product.
<i>Emphasis</i> <i>See....</i>	Italics are used to emphasize and highlight text and references to other chapters and external documents.

3 Conditions at the site of installation

3.1 Ambient pressure

The ambient pressure for transducers may be between 0 and 5 bar. Please note that pressure changes may shift the zero output signal.

Max. capacity	kg t	50	100	200	500	1	2	5	10	20	50
Change of zero point [%/10 mbar]		0.065	0.032	0.016	0.006	0.003	0.006	0.003	0.002	0.001	<0.001

3.2 Special information

The C2 transducers are produced entirely from non-rusting materials. The user must test for resistance to aggressive environmental conditions in each individual case.

4 Mounting instructions

- Handle the transducer carefully.
- The transducer seating must be horizontal, even and, together with the transducer mounting surface, it must be absolutely clean.
- Dust, dirt and other foreign matter must not be allowed to collect so that the deflection of the transducer is impaired, leading to possible erroneous measurements.
- Do not overload the transducers (e.g. by unevenly distributed loads); if necessary, provide overload protection (e.g. supports).
- Each transducer should be shunted by a stranded copper cable (approx. 16 mm²) during or immediately after installation, in order to prevent any welding or lightning currents flowing through the transducer.

5 Load introduction

When applied in weighing equipment, load cells are subjected to unwanted side forces and moments. These may arise from deformation of the loaded weighing machine structure or through thermal strains. To keep the effects on the measurement resulting from these forces and moments as low as possible, HBM supplies pendle supports and elastomer bearings as load introduction components. Both types of load introduction components enable a design with a degree of horizontal movement with respect to the load cells.

A deflection causes a reactive force which attempts to restore the weighing machine to its original position. With the pendle supports this restoring force is proportional to the deflection. This means that a different characteristic is obtained, particularly under partial loading conditions.

The elastomer bearing also possesses higher damping in the horizontal and vertical directions. In both cases no stay rods are needed. It is sufficient to limit the horizontal movement of the weighing machine structure using mechanical stops (S_{perm} in chapter 8.2 *Mounting accessories*, on page 17).

6 Connection

6.1 Notes on cable routing

Electrical and magnetic fields often cause the introduction of disturbing voltages into the measuring circuit.

Please note the following hints:

- Use only screened, low capacitance measuring cable (cable from HBM fulfils these requirements).
- Do not lay the measuring cable parallel to power and control lines. If this is not possible (e.g. in cable ducts), the measuring cable can be protected, e.g. by steel conduit.
- The stray fields of transformers, motors and contactors must be avoided.

6.2 Connection technique

Strain-gage based load cells can be connected to:

- carrier frequency
- DC-measuring amplifiers.

The transducer connection is implemented using the six-wire technique. The connection assignment can be taken from the following illustration (*Fig. 6.1*)

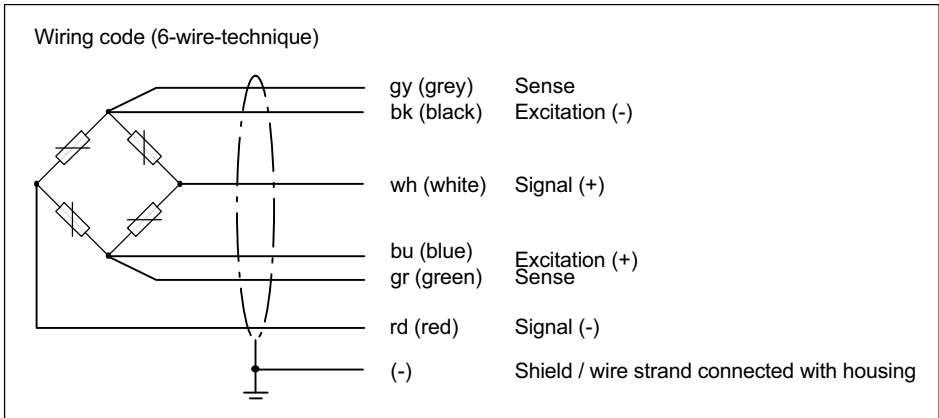


Fig. 6.1 Transducer with six-core cable

6.3 Parallel connection of more than one transducer

The transducers are connected in parallel electrically by joining together the core ends of the transducer connection cables having the same color.

 **CAUTION**

An overload of individual load cells cannot be detected from the output signal.

6.4 Connections using the four-wire technique

With connections to amplifiers using the four-wire technique the cores bu (blue) and gn (green) should be connected together, as should bk (black) and gr (grey). Please take in account that this causes deviations to the sensitivity and the temperature coefficient of sensitivity that this causes.

6.5 Cable extension

Extension cables must be screened and of the low capacitance type. We recommend the use of HBM cables which fulfil these requirements. For cable ex-

tensions, care must be taken to ensure a satisfactory connection with the lowest possible transfer resistance and good insulation.

When using the six-wire technique, the effects of resistance changes in the extension cable are compensated. If you extend the cable with the four-wire technique, the sensitivity deviation can be rectified by adjustment. Temperature effects though are only compensated with the operation using six-wire technique.

6.6 Notes on cable routing

The load cell connecting cable should be routed so that any condensed water or dampness forming on the cable can drip off. It must not be led to the load cell. In addition, it must be ensured that no dampness can penetrate the open end of the cable.

7 Specifications

Type			C2	
Accuracy class		%	0,2	0,1
Max. capacity	E_{\max}	kg	50	100, 200, 500
		t	-	1, 2, 5, 10, 20, 50
Sensitivity	C_N	mV/V	2	
Tolerance on sensitivity		%	< ± 0.20	
Temperature effect on sensitivity in the nominal temperature range	TK_C	%/10 K	< ± 0.05	
		%/10 K	< ± 0.10	
Temperature effect on zero balance in the nominal temperature range	TK_0	%/10 K	< ± 0.05	
		%/10 K	< ± 0.10	
Hysteresis error	d_{hy}	% from C_N	< ± 0.15	
Non-linearity	d_{lin}		< ± 0.20	< ± 0.10
Creep over 30 min.			< ± 0.06	
Input resistance	R_{LC}	Ω	340 ... 450	
Output resistance	R_0		356 \pm 0.2	
Reference excitation voltage	U_{ref}	V	5	
Nominal range of excitation voltage	B_U	V	0.5 ... 10	0.5 ... 12
Maximum supply voltage		V	12	18
Insulation resistance	R_{is}	G Ω	>5	

Type		C2	
Accuracy class		0,2	0,1
Nominal temperature range	B _T	°C [°F]	
Operating temperature range	B _{tu}		
Storage temperature range	B _{tl}		
Safe load limit	E _L	130	150
Breaking load	E _d	300	
Rel. stat. lateral load limit	E _{lq}	% from E _{max}	
Permissible dynamic load (peak to peak acc. to DIN 50100)		100	
Protection class according to EN 60529 (IEC 529)		IP67	
Material			
Measuring body		Stainless steel ²⁾	
Cable gland		Nickel plated brass, Silicone	
Cable sheath		Thermoplastic elastomer	

1) Optionally available with extended operating temperature range.

2) As per EN 10088-1

7.1 Mechanical Data

Max. capacity [t]	Nominal (rated) displacement, s_{nom} , approx. [mm]	Weight, (G) approx. [kg]	Cable length [m]
0.05	< 0.1	0.4	3
0.1	< 0.1	0.4	3
0.2	< 0.1	0.4	3
0.5	< 0.1	0.4	3
1	< 0.1	0.4	3
2	< 0.06	1.8	6
5	< 0.06	1.8	6
10	< 0.06	3	12
20	< 0.06	3	12
50	< 0.1	8.6	12

7.2 Options

Explosion-proof versions

- **A11/21** IECEx+ATEX zone 1/21 + FM intrinsically safe, II2G Ex ia IIC T6/T4 Gb / II2D Ex ia IIIC T125°C Db
- **A12/21** IECEx+ATEX zone 2/21 non-intrinsically safe, II3G Ex nA IIC T6/T4 Gc / II2D Ex tb IIIC T125°C Db
- **AIM1** IECEx+ATEX M1, intrinsically safe I M 1 Ex ia I Ma

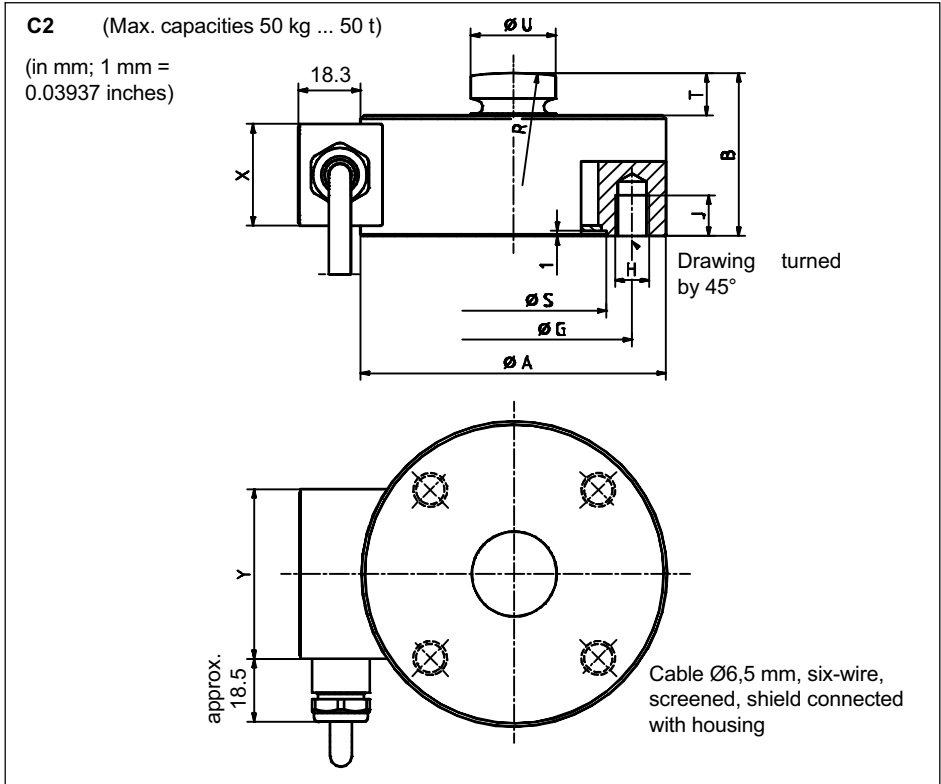
Operating temperature range extended to 120 °C [248 °F] (not possible in connection with explosion proof version)

Accessories, to be ordered separately

- ZPS Pendle bearing support and EPO3/EPO3R Pendle bearing
- ZELA/ZELB Elastomer bearing and EPO3/EPO3R Pendle bearing
- EEK Grounding cable

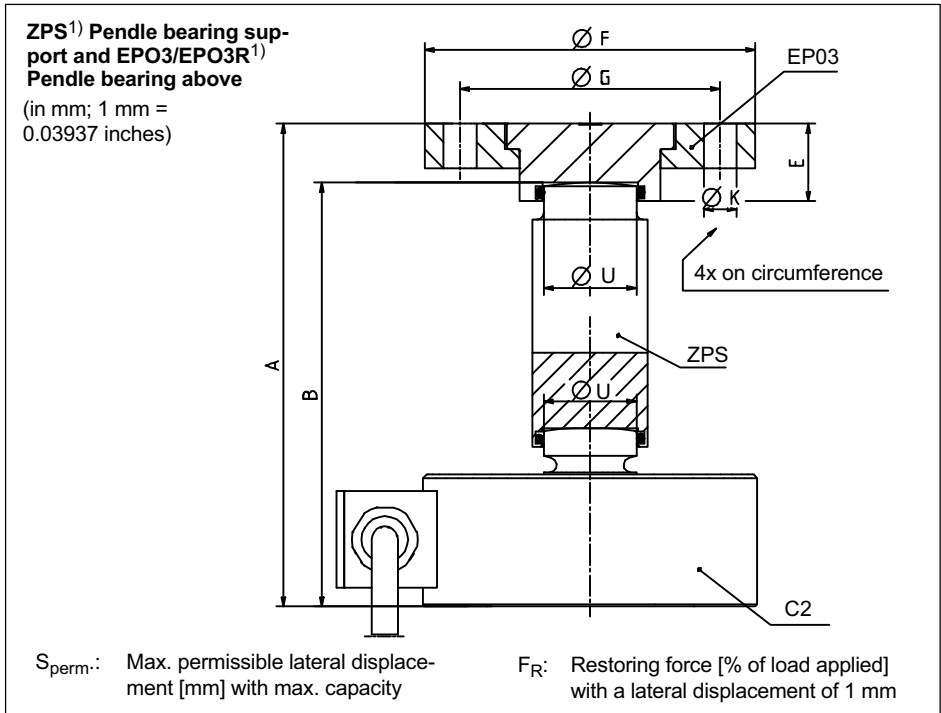
8 Dimensions

8.1 Transducer



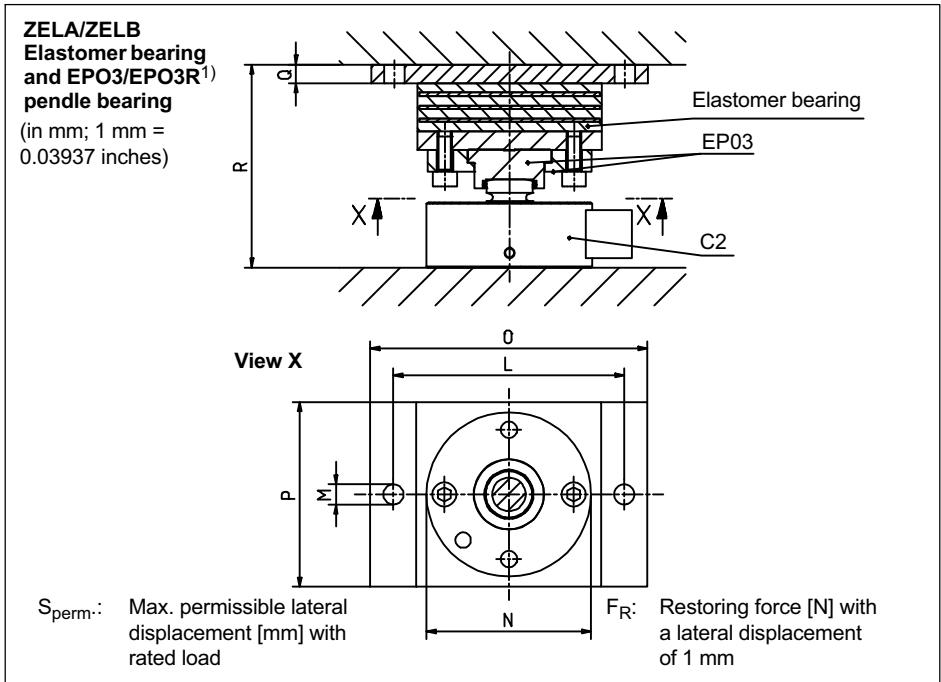
Max. capacity [t]	ØA _{0,2}	B	ØG	H	J	R	ØS ^{H8}	T	ØU	X	Y
0.05 ... 1	50	30	42	4xM5	7	60	34	7	13	20	35
2 and 5	90	48	70	4xM10	12	100	55	12.5	25	30	50
10 and 20	115	60	90	4xM12	16	160	68	12.5	32	30	50
50	155	90	125	4xM16	20	300	97	15.5	44	30	50

8.2 Mounting accessories



Max. capacity [t]	Pendle bearing support ¹⁾	Pendle bearing above ¹⁾	A	B	E	ØF	ØG	ØU	ØK	S _{perm}	F _R
0.05 ... 1	1-ZPS13/44	1-EPO3/200 kg	90	74	21	89	70	13	9	±3	2.4
2 and 5	1-ZPS25/66	1-EPO3R/5 t	130	114	21	89	70	25	9	±5	2.6
10 and 20	1-ZPS32/115	1-EPO3R/20 t	195	175	27.5	110	90	32	13	±9	1.2
50	1-ZPS44/150	1-EPO3/50 t	280	239.5	50	147	120	44	18	±10	1.5

¹⁾ ZPS Pendle bearing support, EPO3R and EPO3/200 kg Pendle bearings above are made from stainless steel.



Max. capacity [t]	Elastomer bearing ¹⁾	Pendle bearing ¹⁾	L	M	N	O	P	Q	R	S_{perm}	F_R
0.5 and 1	1-ZELB/2 t	1-EPO3/200 kg	100	9	89	120	60	10	85.5	±4.5	400
2	1-ZELB/2 t	1-EPO3R/5 t	100	9	89	120	60	10	103	±4.5	400
5	1-ZELB/5 t	1-EPO3R/5 t	125	11	89	150	100	10	110	±8	620
10	1-ZELB/10 t	1-EPO3R/20 t	175	13	110	200	100	12	135	±9.5	810
20	1-ZELA/20 t	1-EPO3R/20 t	230	13	110	260	150	12	142	±15	1400
50	1-ZELA/50 t	1-EPO3/50 t	335	17	148	370	200	15	200	±10.5	2300

¹⁾ ZELB Elastomer bearing, pendle bearings EPO3R and EPO3/200 kg are made from stainless steel.

Mounting Instructions | **Montageanleitung** | Notice de montage | Istruzioni per il montaggio

English

Deutsch

Français

Italiano



C2

1	Sicherheitshinweise	3
2	Verwendete Kennzeichnungen	6
2.1	In dieser Anleitung verwendete Kennzeichnungen	6
3	Bedingungen am Einbauort	7
3.1	Umgebungsdruck	7
3.2	Spezielle Hinweise	7
4	Montagehinweise	8
5	Lasteinleitung	9
6	Anschließen	10
6.1	Hinweise für die Verkabelung	10
6.2	Anschlusstechnik	10
6.3	Parallelschaltung mehrerer Aufnehmer	11
6.4	Anschluss in Vierleiter-Technik	11
6.5	Kabelverlängerung	12
6.6	Hinweise zur Verkabelung	12
7	Technische Daten	13
7.1	Mechanische Werte	15
7.2	Optionen	15
8	Abmessungen (in mm)	16
8.1	Aufnehmer	16
8.2	Einbauhilfen	17

1 Sicherheitshinweise

Die Wägezellen können als Maschinenelemente (z.B. bei Behälterverwiegungen) eingesetzt werden. Beachten Sie bitte in diesen Fällen, dass die Wägezellen zugunsten einer hohen Messempfindlichkeit nicht mit den in Maschinenkonstruktionen üblichen Sicherheitsfaktoren konstruiert sind. Wo bei Bruch Menschen und Sachen zu Schaden kommen können, müssen vom Anwender entsprechend den einschlägigen Unfallverhütungsvorschriften Sicherheitsmaßnahmen (wie z.B. Absturzsicherungen oder Überlastsicherungen) getroffen werden. Der einwandfreie und sichere Betrieb von Wägezellen setzt sachgemäßen Transport, fachgerechte Lagerung, Aufstellung und Montage sowie sorgfältige Bedienung und Instandhaltung voraus.

Berücksichtigen Sie insbesondere die im *Kapitel 7 Technische Daten, auf Seite 13* angegebenen:

- Grenzlasten,
- Grenzquerbelastungen,
- Bruchlasten und
- zulässige dynamische Belastungen.

Die das Messsignal verarbeitende Elektronik ist so zu gestalten, dass bei Ausfall des Messsignales keine Folgeschäden auftreten können.

Bestimmungsgemäßer Gebrauch

Die Wägezellen der Typen C2 sind für wägetechnische Anwendungen konzipiert. Jeder darüber hinausgehende Gebrauch gilt als *nicht* bestimmungsgemäß.

Zur Gewährleistung eines sicheren Betriebes dürfen die Wägezellen nur nach den Angaben in der Montageanleitung verwendet werden. Bei der Verwendung sind zusätzlich die für den jeweiligen Anwendungsfall erforderlichen Rechts- und Sicherheitsvorschriften zu beachten. Sinngemäß gilt dies auch bei Verwendung von Zubehör.

Die Wägezellen sind keine Sicherheitselemente im Sinne des bestimmungsgemäßen Gebrauchs. Der einwandfreie und sichere Betrieb der Wägezelle setzt sachgemäßen Transport, fachgerechte Lagerung, Aufstellung und Montage sowie sorgfältige Bedienung und Instandhaltung voraus.

Allgemeine Gefahren bei Nichtbeachten der Sicherheitshinweise

Die Wägezellen entsprechen dem Stand der Technik und sind betriebsicher. Von den Wägezellen können Restgefahren ausgehen, wenn sie von ungeschultem Personal unsachgemäß montiert werden.

Jede Person, die mit Aufstellung, Inbetriebnahme, Wartung oder Reparatur einer Wägezelle beauftragt ist, muss die Montageanleitung und insbesondere die sicherheitstechnischen Hinweise gelesen und verstanden haben.

Restgefahren

Der Leistungs- und Lieferumfang der Wägezellen deckt nur einen Teilbereich der Wägetechnik ab. Sicherheitstechnische Belange der Wägetechnik sind zusätzlich vom Anlagenplaner/Ausrüster/Betreiber so zu planen, zu realisieren und zu verantworten, dass Restgefahren minimiert werden. Jeweils existierende Vorschriften sind zu beachten. Auf Restgefahren im Zusammenhang mit der Wägetechnik ist hinzuweisen.

Umgebungsbedingungen

Beachten Sie in Ihrem Anwendungsfeld, dass alle Stoffe die (Chlor-) Ionen freisetzen, auch nichtrostende Stähle und deren Schweißnähte angreifen. In diesem Fall sind von der Betreiberseite entsprechende Schutzmaßnahmen vorzusehen.

Verbot von eigenmächtigen Umbauten und Veränderungen

Die Wägezellen dürfen ohne unsere ausdrückliche Zustimmung weder konstruktiv noch sicherheitstechnisch verändert werden. Jede Veränderung schließt eine Haftung unsererseits für daraus resultierende Schäden aus.

Qualifiziertes Personal

Diese Wägezellen sind nur von qualifiziertem Personal ausschließlich entsprechend der technischen Daten in Zusammenhang mit den nachstehend ausgeführten Sicherheitsbestimmungen und Vorschriften einzusetzen. Hierbei sind zusätzlich die für den jeweiligen Anwendungsfall erforderlichen Rechts- und Sicherheitsvorschriften zu beachten. Sinngemäß gilt dies auch bei Verwendung von Zubehör.

Qualifiziertes Personal sind Personen, die mit Aufstellung, Montage, Inbetriebsetzung und Betrieb des Produktes vertraut sind und die über die ihrer Tätigkeit entsprechende Qualifikationen verfügen.



Unfallverhütung

Obwohl die angegebene Nennlast im Zerstörungsbereich ein Mehrfaches vom Messbereichsendwert beträgt, müssen die einschlägigen Unfallverhütungsvorschriften der Berufsgenossenschaften berücksichtigt werden.

2 Verwendete Kennzeichnungen

2.1 In dieser Anleitung verwendete Kennzeichnungen

Wichtige Hinweise für Ihre Sicherheit sind besonders gekennzeichnet. Beachten Sie diese Hinweise unbedingt, um Unfälle und Sachschäden zu vermeiden.

Symbol	Bedeutung
 VORSICHT	Diese Kennzeichnung weist auf eine <i>mögliche</i> gefährliche Situation hin, die – wenn die Sicherheitsbestimmungen nicht beachtet werden – leichte oder mittlere Körperverletzung zur Folge <i>haben kann</i> .
Hinweis	Diese Kennzeichnung weist auf eine Situation hin, die – wenn die Sicherheitsbestimmungen nicht beachtet werden – Sachschäden zur Folge <i>haben kann</i> .
 Information	Diese Kennzeichnung weist auf Informationen zum Produkt oder zur Handhabung des Produktes hin.
<i>Hervorhebung</i> <i>Siehe ...</i>	Kursive Schrift kennzeichnet Hervorhebungen im Text und kennzeichnet Verweise auf Kapitel, Bilder oder externe Dokumente und Dateien.

3 Bedingungen am Einbauort

3.1 Umgebungsdruck

Der Umgebungsdruck darf zwischen 0 und 5 bar liegen. Beachten Sie bitte, dass Druckschwankungen den Nullpunkt verschieben können.

Nennlast	kg t	50	100	200	500	1	2	5	10	20	50
Nullpunkt- veränderung [%/10 mbar]		0,065	0,032	0,016	0,006	0,003	0,006	0,003	0,002	0,001	<0,001

3.2 Spezielle Hinweise

Die Aufnehmer C2 sind vollständig aus nichtrostenden Materialien gefertigt. Die Beständigkeit gegen aggressive Umgebungseinflüsse ist im Einzelfall vom Anwender zu prüfen.

4 Montagehinweise

- Den Aufnehmer schonend handhaben.
- Der Aufnehmersitz muss waagrecht, vollflächig plan und wie auch die Aufnehmersitzfläche, absolut sauber sein.
- Staub, Schmutz und andere Fremdkörper dürfen sich nicht so ansammeln, dass sie die Beweglichkeit des Aufnehmers und der Lasteinleitungsteile beeinträchtigen und so den Messwert verfälschen.
- Aufnehmer nicht überlasten (z.B. durch ungleich verteilte Lasten); falls erforderlich Überlastschutz vorsehen (z.B. Stützkörper).
- Jeder Aufnehmer sollte schon bei oder unmittelbar nach dem Einbau durch eine Kupferlitze (ca. 16 mm²) überbrückt sein, damit keine Schweißströme über den Aufnehmer fließen können.

5 Lasteinleitung

Wägezellen werden beim Einsatz in Wägeeinrichtungen mit unerwünschten Seitenkräften und Momenten belastet. Diese können aus Verformungen der belasteten Waagenkonstruktion oder durch thermische Dehnungen entstehen. Um die Auswirkungen dieser Kräfte und Momente auf das Ergebnis möglichst klein zu halten, bietet HBM als Lasteinleitungsteile Pendelstützen und Elastomerlager an. Beide Lasteinleitungsteile ermöglichen der Konstruktion eine horizontale Beweglichkeit gegenüber den Wägezellen.

Bei der Auslenkung entsteht eine Rückstellkraft, die bestrebt ist die Waage in ihre Ausgangslage zurückzuführen. Bei den Pendelstützen ist diese Rückstellkraft proportional der Auslenkung und der aktuellen Belastung, bei den Elastomerlagern proportional der Auslenkung. Dadurch ergibt sich besonders bei der Teilauslastung der Waage ein unterschiedliches Rückstellverhalten der Lasteinleitungsteile.

Daneben verfügt das Elastomerlager über eine höhere Dämpfung in horizontaler und vertikaler Richtung. In beiden Fällen werden keine seitlichen Lenker benötigt. Es genügt die horizontale Beweglichkeit der Waagenkonstruktion durch Anschläge zu begrenzen (*s_{Zul}* aus Kapitel 8.2 Einbauhilfen, Seite 17 beachten).

6 Anschließen

6.1 Hinweise für die Verkabelung

Elektrische und magnetische Felder verursachen oft die Einkopplung von Störspannungen in den Messkreis.

Beachten Sie deshalb folgende Hinweise:

- Verwenden Sie nur abgeschirmte und kapazitätsarme Messkabel (HBM-Kabel erfüllen diese Bedingungen).
- Messkabel nicht parallel zu Starkstrom- oder Steuerleitungen verlegen. Falls dies nicht möglich ist (z.B. in Kabelschächten), schütze man das Messkabel z.B. durch Stahlpanzerrohre.
- Streufelder von Trafos, Motoren und Schützen sind zu meiden.

6.2 Anschlusstechnik

Wägezellen mit DMS-System können angeschlossen werden an:

- Trägerfrequenz-Messverstärker oder
- Gleichspannungs-Messverstärker.

Die Aufnehmer sind in Sechisleiter-Technik ausgeführt. Die Anschlussbelegung entnehmen Sie der folgenden Abbildung (*Abb. 6.1*).

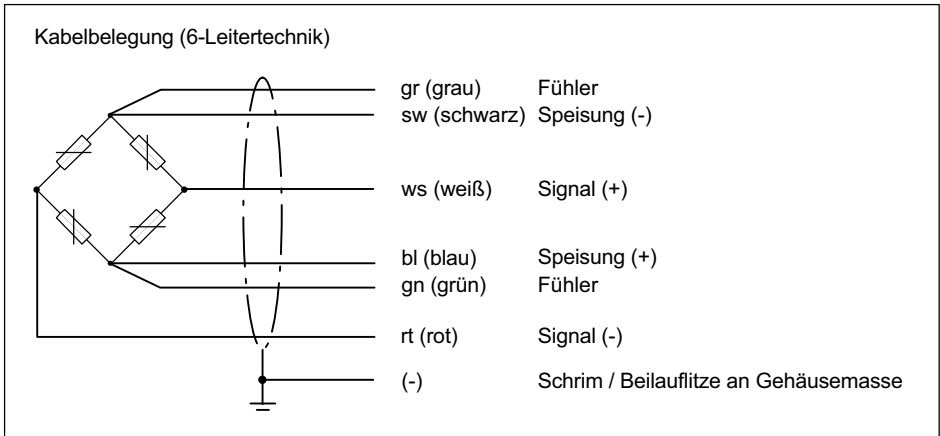


Abb. 6.1 Aufnehmer mit sechsadrigem Anschlusskabel

6.3 Parallelschaltung mehrerer Aufnehmer

Aufnehmer schalten Sie elektrisch parallel, indem Sie die gleichfarbigen Aderenden der Aufnehmeranschlusskabel miteinander verbinden.

 **VORSICHT**

Eine Überlastung einer einzelnen Wägezelle kann dann nicht am Ausgangssignal erkannt werden.

6.4 Anschluss in Vierleiter-Technik

Bei Anschluss an Verstärker in Vierleiter-Technik sind die Adern bl und gn sowie sw und gr miteinander zu verbinden. Beachten Sie bitte die dadurch verursachten Abweichungen von Kennwert und Temperaturkoeffizient des Kennwertes.

6.5 Kabelverlängerung

Verlängerungskabel müssen abgeschirmt und kapazitätsarm sein. Wir empfehlen Ihnen die Verwendung von HBM-Kabeln, die diese Voraussetzungen erfüllen. Bei Kabelverlängerungen ist auf eine einwandfreie Verbindung mit geringsten Übergangswiderständen und gute Isolation zu achten.

Bei Anwendung der Sechsheiter-Technik werden die Einflüsse durch Widerstandsänderungen der Verlängerungskabel ausgeglichen. Verlängern Sie das Kabel in Vierleiter-Technik kann die Kennwertabweichung durch Justieren beseitigt werden, Temperatureinflüsse werden jedoch nur bei Betrieb in Sechsheiter-Technik ausgeglichen.

6.6 Hinweise zur Verkabelung

Das Anschlusskabel der Wägezelle ist so zu verlegen, dass eventuell am Kabel entstandenes Kondenswasser oder Feuchtigkeit abtropfen kann. Es darf nicht zur Wägezelle geleitet werden. Außerdem ist dafür zu sorgen, dass keine Feuchtigkeit am offenen Kabelende eindringen kann.

7 Technische Daten

Typ			C2	
Genauigkeitsklasse		%	0,2	0,1
Nennlast	E_{\max}	kg	50	100, 200, 500
		t	-	1, 2, 5, 10, 20, 50
Nennkennwert	C_N	mV/V	2	
Kennwerttoleranz		%	$< \pm 0,20$	
Temperaturkoeffizient des Kennwertes im Nenntemperaturbereich im Gebrauchstemperaturbereich	TK_C	%/10 K	$< \pm 0,05$	
		%/10 K	$< \pm 0,10$	
Temperaturkoeffizient des Nullsignales im Nenntemperaturbereich im Gebrauchstemperaturbereich	TK_0	%/10 K	$< \pm 0,05$	
		%/10 K	$< \pm 0,10$	
Relative Umkehrspanne	d_{hy}		$< \pm 0,15$	
Linearitätsabweichung	d_{lin}	% v. C_N	$< \pm 0,20$	$< \pm 0,10$
Kriechen über 30 min.			$< \pm 0,06$	
Eingangswiderstand	R_{LC}	Ω	340 ... 450	
Ausgangswiderstand	R_0		356 \pm 0,2	
Referenzspannung	U_{ref}	V	5	
Nennbereich der Versorgungsspannung	B_U	V	0,5 ... 10	0,5 ... 12
Maximal zul. Speisepannung		V	12	18
Isolationswiderstand	R_{is}	G Ω	> 5	

Typ		C2	
Genauigkeitsklasse		%	0,2 0,1
Nennbereich der Umgebungstemperatur	B_T	°C	-10 ... + 40
Gebrauchstemperaturbereich	B_{tu}		-30 ... + 85 (-30 ... +120 ¹⁾)
Lagerungstemperaturbereich	B_{tl}		-50 ... + 85
Grenzlast	E_L	% v. E_{max}	130 150
Bruchlast	E_d		300
Relat. stat. Grenzquerbelastung	E_{lq}		50
Zulässige dynamische Belastung (Schwingbreite nach DIN 50100)			100
Schutzart nach EN 60529 (IEC 529)			IP67
Material Messkörper Kabelverschraubung Kabelmantel			nichtrostender Stahl ²⁾ Messing vernickelt, Silikon Thermoplastisches Elastomer

1) Erweiterter Gebrauchstemperaturbereich als Option.

2) nach EN 10088-1

7.1 Mechanische Werte

Nennlast [t]	Nennmessweg, s_{nom} , ca. [mm]	Gewicht, (G) ca. [kg]	Kabellänge [m]
0,05	< 0,1	0,4	3
0,1	< 0,1	0,4	3
0,2	< 0,1	0,4	3
0,5	< 0,1	0,4	3
1	< 0,1	0,4	3
2	< 0,06	1,8	6
5	< 0,06	1,8	6
10	< 0,06	3	12
20	< 0,06	3	12
50	< 0,1	8,6	12

7.2 Optionen

Ex-Schutz-Ausführungen

- **A11/21** IECEEx+ATEX Zone 1/21 + FM, eigensicher II2G Ex ia IIC T6/T4 Gb / II2G Ex ia IIIC T125°C Db
- **A12/21** IECEEx+ATEX Zone 2/21, nicht eigensicher II3G Ex nA IIC T6/T4 Gc / II2D Ex tb IIIC T125°C Db
- **AIM1** IECEEx+ATEX M1, eigensicher I M 1 Ex ia I Ma

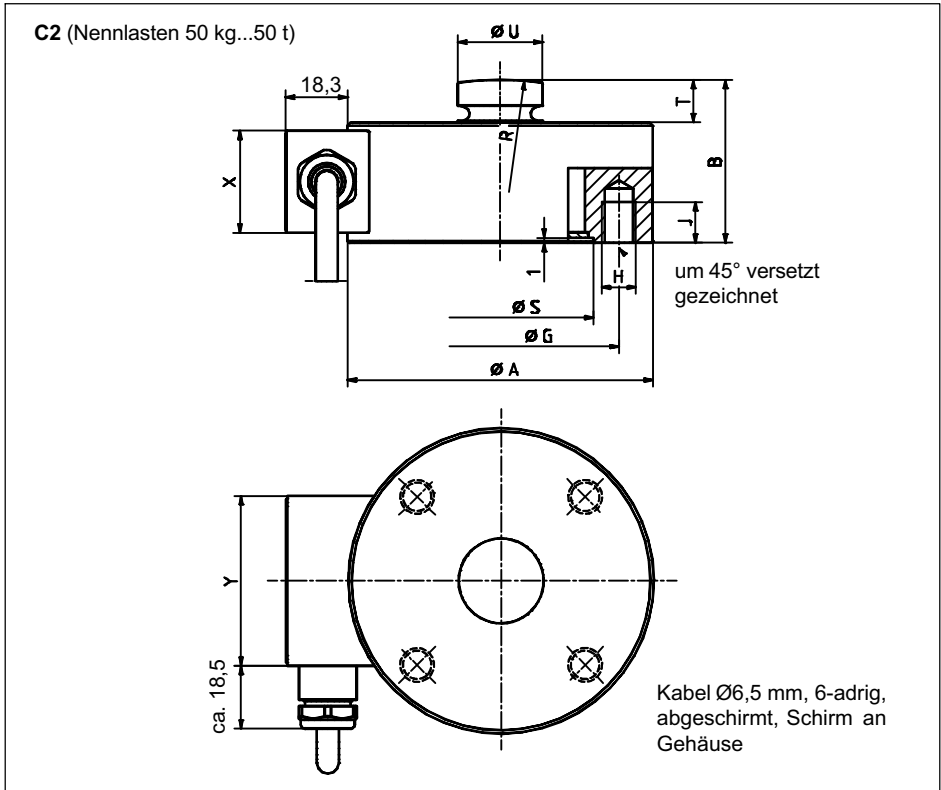
Gebrauchstemperaturbereich erweitert auf 120°C (nicht möglich mit Ex-Schutz)

Zubehör, zusätzlich zu beziehen

- Pendelstütze ZPS... und Druckstück EPO3/EPO3R
- Elastomerlager ZELA/ZELB und Druckstück EPO3/EPO3R
- Erdungskabel EEK

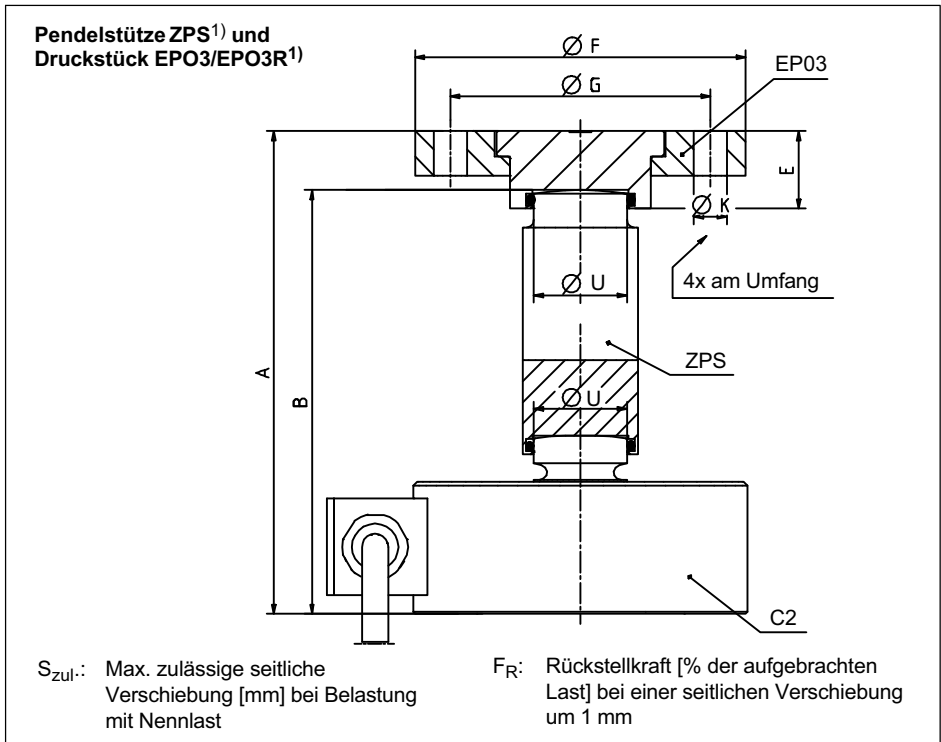
8 Abmessungen (in mm)

8.1 Aufnehmer



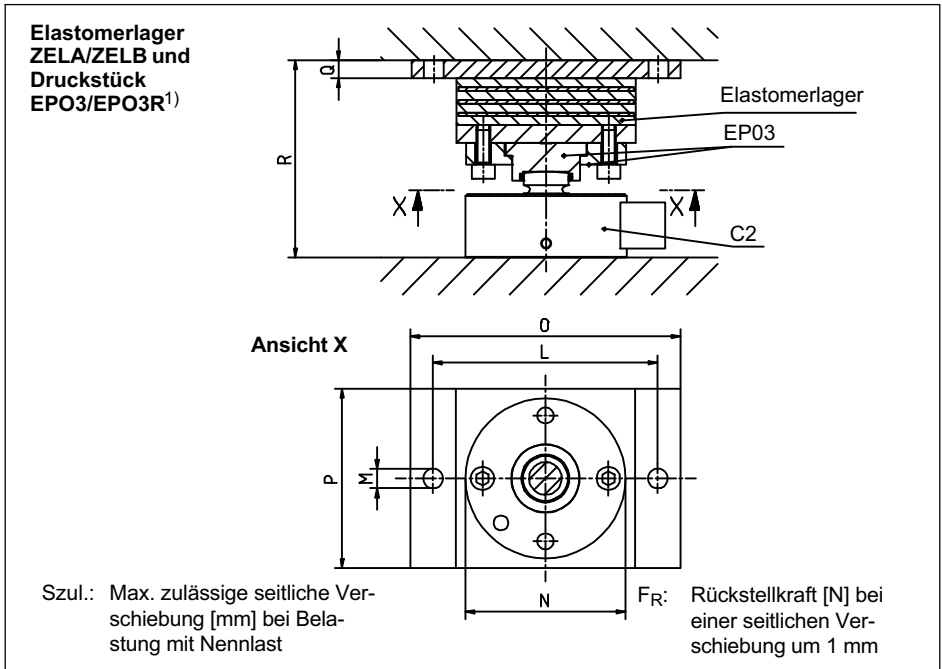
Nennlast [t]	ØA _{0,2}	B	ØG	H	J	R	ØS ^{H8}	T	ØU	X	Y
0,05 ... 1	50	30	42	4xM5	7	60	34	7	13	20	35
2 u. 5	90	48	70	4xM10	12	100	55	12,5	25	30	50
10 u. 20	115	60	90	4xM12	16	160	68	12,5	32	30	50
50	155	90	125	4xM16	20	300	97	15,5	44	30	50

8.2 Einbauhilfen



Nennlast [t]	Pendelstütze ¹⁾	Druckstück ¹⁾	A	B	E	ØF	ØG	ØU	ØK	S_{zul}	F_R
0,05 ... 1	1-ZPS13/44	1-EPO3/200 kg	90	74	21	89	70	13	9	±3	2,4
2 und 5	1-ZPS25/66	1-EPO3R/5 t	130	114	21	89	70	25	9	±5	2,6
10 und 20	1-ZPS32/115	1-EPO3R/20 t	195	175	27,5	110	90	32	13	±9	1,2
50	1-ZPS44/150	1-EPO3/50 t	280	239,5	50	147	120	44	18	±10	1,5

¹⁾ Pendelstütze ZPS, Druckstück EPO3R und EPO3/200 kg sind aus nichtrostendem Stahl gefertigt.



Nennlast [t]	Elastomerlager ¹⁾	Druckstück ¹⁾	L	M	N	O	P	Q	R	S _{zul.}	F _R
0,5 und 1	1-ZELB/2 t	1-EPO3/200 kg	100	9	89	120	60	10	85,5	±4,5	400
2	1-ZELB/2 t	1-EPO3R/5 t	100	9	89	120	60	10	103	±4,5	400
5	1-ZELB/5 t	1-EPO3R/5 t	125	11	89	150	100	10	110	±8	620
10	1-ZELB/10 t	1-EPO3R/20 t	175	13	110	200	100	12	135	±9,5	810
20	1-ZELA/20 t	1-EPO3R/20 t	230	13	110	260	150	12	142	±15	1400
50	1-ZELA/50 t	1-EPO3/50 t	335	17	148	370	200	15	200	±10,5	2300

1) Elastomerlager ZELB, Druckstück EPO3R und EPO3/200 kg sind aus nichtrostendem Stahl gefertigt.

Mounting Instructions | Montageanleitung | Notice de montage | Istruzioni per il montaggio

English

Deutsch

Français

Italiano



C2

1	Consignes de sécurité	3
2	Marquages utilisés	6
2.1	Marquages utilisés dans le présent document	6
3	Conditions concernant le lieu d'installation	7
3.1	Pression ambiante	7
3.2	Remarques particulières	7
4	Instructions de montage	8
5	Application de charge	9
6	Raccordement	10
6.1	Indications relatives à la pose des câbles	10
6.2	Technique de connexion	10
6.3	Branchement en parallèle de plusieurs capteurs	11
6.4	Raccordement en technique à quatre conducteurs	11
6.5	Rallonge de câbles	12
6.6	Remarques sur le câblage	12
7	Spécifications	13
7.1	Caractéristiques mécaniques	15
7.2	Options	15
8	Dimensions (en mm)	16
8.1	Capteur	16
8.2	Pièces pour le montage	17

1 Consignes de sécurité

Las capteurs de pesage peuvent être mis en œuvre en tant qu'éléments de machine (pour la pesée en ligne de conteneurs, par exemple). Dans de tels cas, tenir compte du fait que, afin de disposer d'une plus grande précision de mesure, le peson ne présente pas les mêmes facteurs de sécurité que ceux habituellement rencontrés sur les machines. Là, où en cas de rupture, il y a risque de dommages corporels ou matériels, les mesures de sécurité correspondantes, définies par les règles, dispositions et normes afférentes, doivent être prises et appliquées par l'utilisateur lui-même (telles que sécurités contre les chutes, par exemple, ou freins de surcharge). Le fonctionnement fiable et sûr du peson électronique est lié à des conditions de transport, de stockage, d'implantation et de montage convenables et soigneuses.

Respecter tout particulièrement dans le *chapitre 7 Spécifications, à la page 13*:

- les charges limites,
- force transverse limite,
- charges de rupture et
- contraintes dynamiques admises.

Concevez l'électronique chargée de traiter les signaux de mesure de telle sorte que, en l'absence de ces signaux, aucun endommagement consécutif ne puisse en résulter.

Utilisation conforme

Les pesons de la série C2 sont développés spécialement pour les applications de pesage. Toute utilisation divergente est considérée comme *non* conforme.

Pour garantir un fonctionnement en toute sécurité de ce capteur, celui-ci doit être utilisé conformément aux instructions de la notice de montage. De plus, il convient de respecter les règlements et consignes de sécurité pour chaque utilisation particulière. Ceci est également valable pour l'utilisation des accessoires.

Les pesons ne constituent pas des éléments de sécurité au sens de l'utilisation conforme. Afin de garantir un fonctionnement parfait et en sécurité de ces pesons, il convient de respecter les conditions suivantes : transport, stockage, installation et montage appropriés, maniement et entretien scrupuleux.

Risques généraux en cas de non-respect des consignes de sécurité

Les pesons correspondent au niveau technologique actuel et garantissent la sécurité du fonctionnement. Néanmoins, les pesons peuvent présenter des dangers résiduels en cas d'utilisation non conforme par du personnel non qualifié.

Toute personne chargée de l'installation, de la mise en service, de la maintenance ou de la réparation du capteur de force doit impérativement avoir lu et compris la notice de montage et, notamment, les indications relatives à la sécurité.

Dangers résiduels

Les performances et l'étendue de la livraison de ces pesons ne couvrent qu'une partie des techniques de pesage. La sécurité dans ce domaine doit être conçue, mise en œuvre et prise en charge par l'ingénieur, le constructeur et l'opérateur de manière à minimiser les dangers résiduels. Les dispositions en vigueur doivent être respectées. Il convient de souligner les dangers résiduels liés aux techniques de pesage.

Conditions de l'ambiance

N'oubliez pas que, dans votre champ d'application, toutes les matières qui libèrent des ions (chlore) attaquent également les aciers inoxydables et leurs cordons de soudure. D'où la nécessité pour l'exploitant de prévoir des mesures de protection correspondantes.

Interdiction de toutes transformations et modifications sans autorisation

Il est interdit de modifier la conception ou la sécurité des pesons sans accord explicite de notre part. Toute modification annule notre responsabilité pour les dégâts qui pourraient en résulter.

Personnel qualifié

Ces pesons appareil doit uniquement être mis en place et manipulé par du personnel qualifié et conformément aux caractéristiques techniques et aux consignes de sécurité décrites ci-après. De plus, il convient de respecter les règlements et les consignes de sécurité valables pour chaque utilisation particulière. Ceci est également valable pour l'utilisation des accessoires.

Sont considérées comme personnel qualifié les personnes familiarisées avec l'installation, le montage, la mise en service et l'exploitation du produit et disposant des qualifications nécessaires.



Prévention des accidents

Bien que la charge nominale de plage de destruction donnée soit un multiple de la pleine échelle, il convient de respecter les règlements pour la prévention des accidents du travail.

2 Marquages utilisés

2.1 Marquages utilisés dans le présent document

Les remarques importantes pour votre sécurité sont repérées d'une manière particulière. Il est impératif de tenir compte de ces consignes, afin d'éviter les accidents et les dommages matériels.

Symbole	Signification
 ATTENTION	Ce marquage signale un risque <i>potentiel</i> qui - si les dispositions relatives à la sécurité ne sont pas respectées - <i>peut avoir</i> pour conséquence des blessures corporelles de gravité minime ou moyenne.
Note	Ce marquage signale une situation qui - si les dispositions relatives à la sécurité ne sont pas respectées - <i>peut avoir</i> pour conséquence des dégâts matériels.
 Information	Ce marquage signale que des informations concernant le produit ou sa manipulation sont fournies.
<i>Mise en valeur</i> <i>Voir ...</i>	Pour mettre en valeur certains mots du texte, ces derniers sont écrits en italique.

3 Conditions concernant le lieu d'installation

3.1 Pression ambiante

La pression ambiante doit se situer entre 0 et 5 bar. Veuillez tenir compte du fait que des variations de pression décalent le point zéro :

Charge nominale	kg t	50	100	200	500	1	2	5	10	20	50
Décalage du point zéro [%/10 mbar]		0,065	0,032	0,016	0,006	0,003	0,006	0,003	0,002	0,001	<0,001

3.2 Remarques particulières

Les capteurs C2 sont entièrement constitués de matériaux inoxydables. La résistance aux influences agressives de l'environnement doit être contrôlée au cas par cas par l'utilisateur.

4 Instructions de montage

- Manipuler les pesons digitaux avec ménagement.
- Le siège du capteur doit être horizontal, absolument plan et - tout comme la surface d'applique du capteur - d'une propreté parfaite.
- Poussière, souillures et autres corps étrangers ne doivent pas s'accumuler de manière à entraver la mobilité du capteur et donc d'en falsifier les résultats de mesure.
- Ne pas surcharger les capteurs (par ex. avec des charges mal réparties). Si nécessaire, prévoir une protection contre les surcharges (par ex. un élément support).
- Au montage ou immédiatement après le montage du capteur, celui-ci est à ponter l'aide d'une tresse de cuivre d'une section d'environ 16 mm², de sorte le protéger contre des éventuels courants transitoires.

5 Application de charge

Les pesons utilisés dans des systèmes de pesage sont soumis à des forces et des moments latéraux indésirables qui peuvent apparaître suite à des déformations de la construction de bascule chargée ou à des dilatations thermiques. Afin de maintenir l'influence de ces forces et moments sur le résultat aussi faible que possible, HBM propose des supports pendulaires et des paliers élastomère à utiliser comme pièces d'application de charge. Ces deux types de pièces d'application de charge permettent à la construction de se déplacer horizontalement par rapport aux pesons.

L'excursion génère une force de rappel qui tend à ramener la balance dans sa position initiale. Dans le cas des supports pendulaires, cette force de rappel est proportionnelle à l'excursion et à la charge actuelle alors qu'elle est uniquement proportionnelle à l'excursion pour les paliers élastomère. Les deux types de pièces d'application de charge présentent donc un comportement de rappel différent, en particulier en cas de charge partielle de la balance.

En outre, le palier élastomère offre un amortissement plus important dans les directions horizontale et verticale. Dans les deux cas, il est inutile d'utiliser de contre fléaux latéraux. Il suffit de limiter la mobilité horizontale de la construction de bascule à l'aide de butoirs (voir s_{adm} au chapitre 8.2 *Pièces pour le montage*, à la page 17).

6 Raccordement

6.1 Indications relatives à la pose des câbles

Les champs électriques et magnétiques provoquent souvent le couplage de tensions parasites dans le circuit de mesure.

C'est la raison pour laquelle:

- Vous devez utiliser uniquement des câbles de mesure blindés de faible capacité (les câbles HBM satisfont à ces conditions)
- Vous ne devez pas poser les câbles de mesure en parallèle avec des câbles de commande et d'énergie. Si cela n'est pas possible, protégez le câble de mesure, p. ex. à l'aide de tubes d'acier blindés
- Évitez les champs de dispersion des transformateurs, moteurs et vannes

6.2 Technique de connexion

Les capteurs de pesage peuvent être utilisés avec:

- des amplificateurs de mesure à fréquence porteuse ou
- des amplificateurs à tension continue.

Les pesons sont réalisés en technique à six conducteurs, le plan de raccordement étant illustré sur la figure ci-après (*Fig. 6.1*)

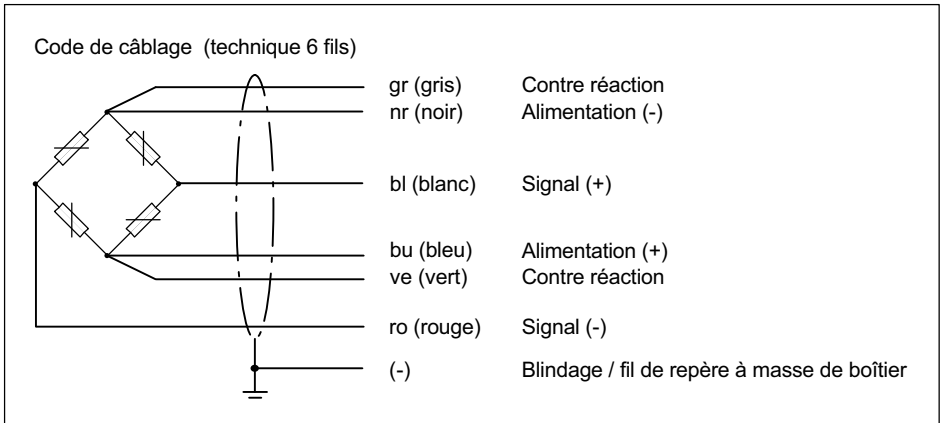


Fig. 6.1 Capteur avec câble de liaison de 6 fils

6.3 Branchement en parallèle de plusieurs capteurs

Le branchement électrique en parallèle de plusieurs pesons s'effectue en reliant entre eux les extrémités des câbles de même couleur.

 **ATTENTION**

La surcharge d'un seul peson ne peut alors pas être détectée au niveau du signal de sortie.

6.4 Raccordement en technique à quatre conducteurs

En cas de raccordement à des amplificateurs en technique à quatre conducteurs, les fils bleu et vert ainsi que noir et gris doivent être reliés. Tenir compte des écarts de sensibilité et de coefficient de température de la sensibilité qu'il engendre.

6.5 Rallonge de câbles

Les câbles prolongateurs (rallonges) doivent être blindés et de faible capacité. Nous recommandons l'utilisation des câbles HBM qui satisfont à ces conditions requises. Pour les prolongations de câble, il faut veiller à une parfaite connexion avec des résistances de transition minimales et à une bonne isolation.

L'utilisation de la technique à six conducteurs permet de compenser les influences dues à des variations de résistance des câbles de rallonge. Si vous prolongez le câble selon la technique à quatre conducteurs, l'écart de la sensibilité peut être éliminé en ajustant l'amplificateur de mesure. Les influences de température ne sont toutefois compensées que lors d'un fonctionnement selon la technique à six conducteurs.

6.6 Remarques sur le câblage

Le câble de raccordement du peson doit être posé de manière à ce que l'eau de condensation ou l'humidité éventuellement générée sur le câble puisse s'égoutter. Il ne doit pas être relié au peson. De plus, il convient de s'assurer que l'humidité ne peut pas pénétrer au niveau de l'extrémité de câble nue.

7 Spécifications

Type			C2	
Classe de précision		%	0,2	0,1
Charge nominale	E_{\max}	kg t	50 -	100, 200, 500 1, 2, 5, 10, 20, 50
Valeur caractéristique nominale	C_n	mV/V	2	
Tolérance de la valeur caractéristique		%	< ±0,20	
Coefficient de température de la valeur caractéristique en plage nominale de température en plage utile de température	TK_C	%/10 K	< ±0,05	
		%/10 K	< ±0,10	
Coefficient de température du signal zéro en plage nominale de température en plage utile de température	TK_0	%/10 K	< ±0,05	
		%/10 K	< ±0,10	
Hystérésis rel. de renversement	d_{hy}		< ±0,15	
Ecart de linéarité	d_{lin}	% de C_N	< ±0,20	< ±0,10
Fuite superficielle sur 30 minutes			< ±0,06	
Résistance d'entrée	R_{LC}	Ω	340 ... 450	
Résistance de sortie	R_0		356 ±0,2	
Tension de référence	U_{ref}	V	5	
Plage nominale de la tension d'alimentation	B_U	V	0,5 ... 10	0,5 ... 12
Tension d'alimentation de pont max. admissible		V	12	18
Résistance d'isolement	R_{is}	G Ω	>5	

Type			C2	
Classe de précision		%	0,2	0,1
Plage nominale de température ambiante	B_T	°C	-10 ... + 40	
Plage utile de températures	B_{tu}		-30 ... + 85 (-30 ... +120) ¹⁾	
Plage des températures de stockage	B_{tl}		-50 ... + 85	
Charge maximale	E_L	% de E_{max}	130	150
Charge de rupture	E_d		300	
Rel. stat. force transv. limite	E_{lq}		50	
Contrainte dynamique admise (Largeur d'impulsions selon DIN 50100)			100	
Indice de protection selon EN 60529 (CEI 529)			IP67	
Matériau élément de mesure garniture d'étanchéité gaine de câble			acier inoxydable ²⁾ laiton nickelé, Silicone élastomère thermoplastique	

1) Plage utile de température étendue optionnel

2) Selon EN 10088-1

7.1 Caractéristiques mécaniques

Charge nominale [t]	Déplacement nominal, s_{nom} , env. [mm]	Poids, (G) env. [kg]	Longueur de câble [m]
0,05	< 0,1	0,4	3
0,1	< 0,1	0,4	3
0,2	< 0,1	0,4	3
0,5	< 0,1	0,4	3
1	< 0,1	0,4	3
2	< 0,06	1,8	6
5	< 0,06	1,8	6
10	< 0,06	3	12
20	< 0,06	3	12
50	< 0,1	8,6	12

7.2 Options

Versions antidéflagrantes

- **AI1/21** IECEx+ATEX zones 1/21 + FM, à sécurité intrinsèque II2G Ex ia IIC T6/T4 Gb / II2G Ex ia IIIC T125°C Db
- **AI2/21** IECEx+ATEX zones 2/21, sans sécurité intrinsèque II3G Ex nA IIC T6/T4 Gc / II2D Ex tb IIIC T125°C Db
- **AIM1** IECEx+ATEX M1, à sécurité intrinsèque I M 1 Ex ia I Ma

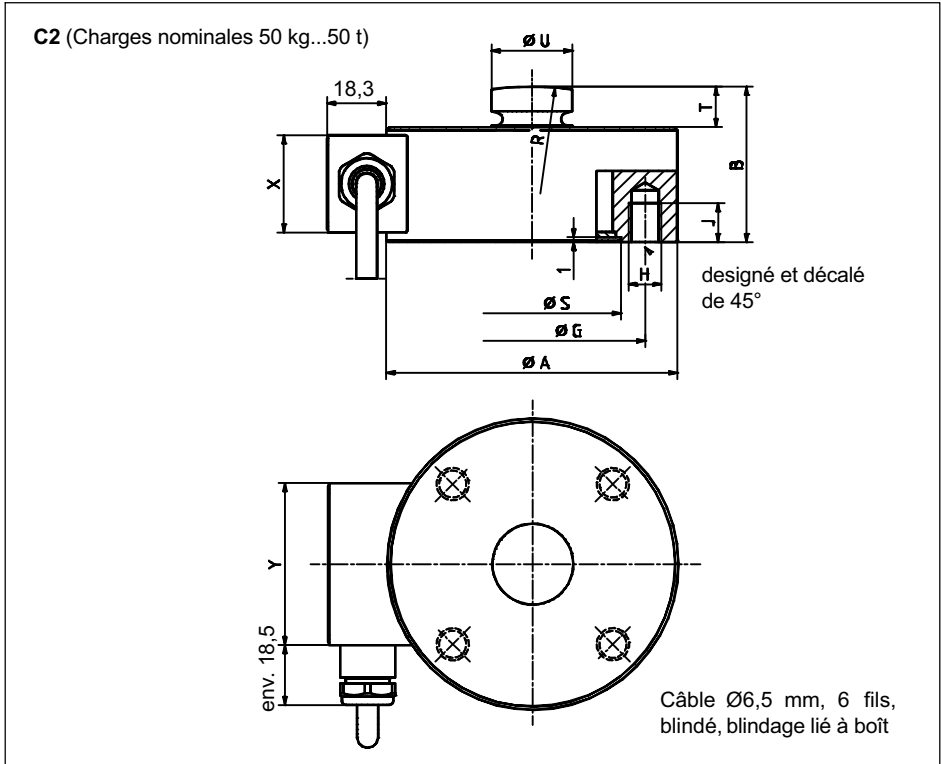
Plage d'utilisation en température étendue à 120 °C (impossible avec une protection antidéflagrante)

Accessoires, à commander séparément

- Support pendulaire ZPS... et pièce d'appui EPO3/EPO3R
- Palier élastomère ZELA/ZELB et pièce d'appui EPO3/EPO3R
- Câble de mise à la terre EEK

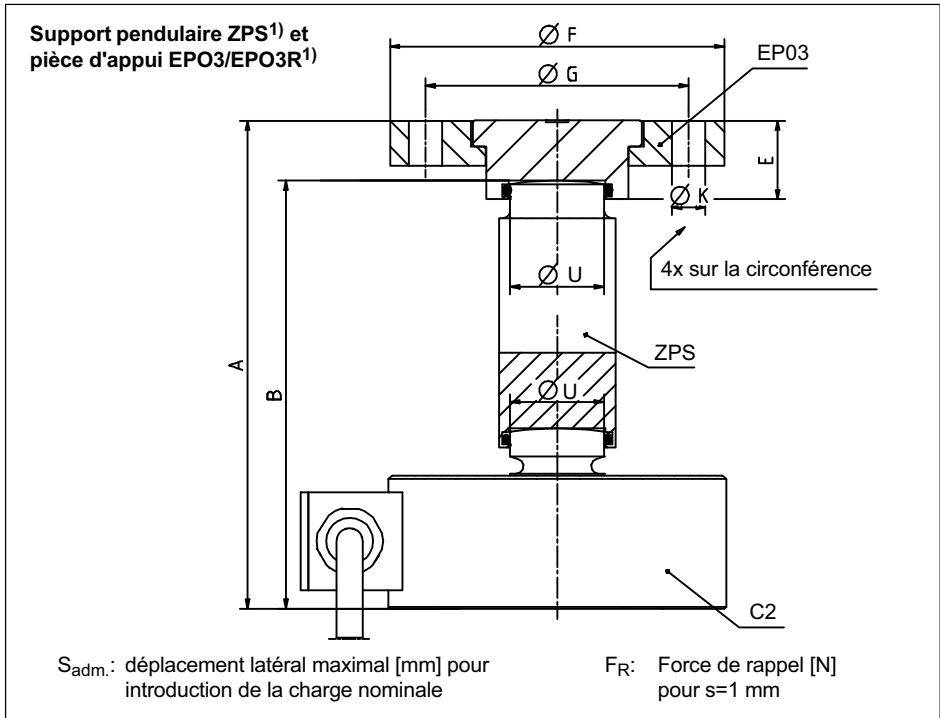
8 Dimensions (en mm)

8.1 Capteur



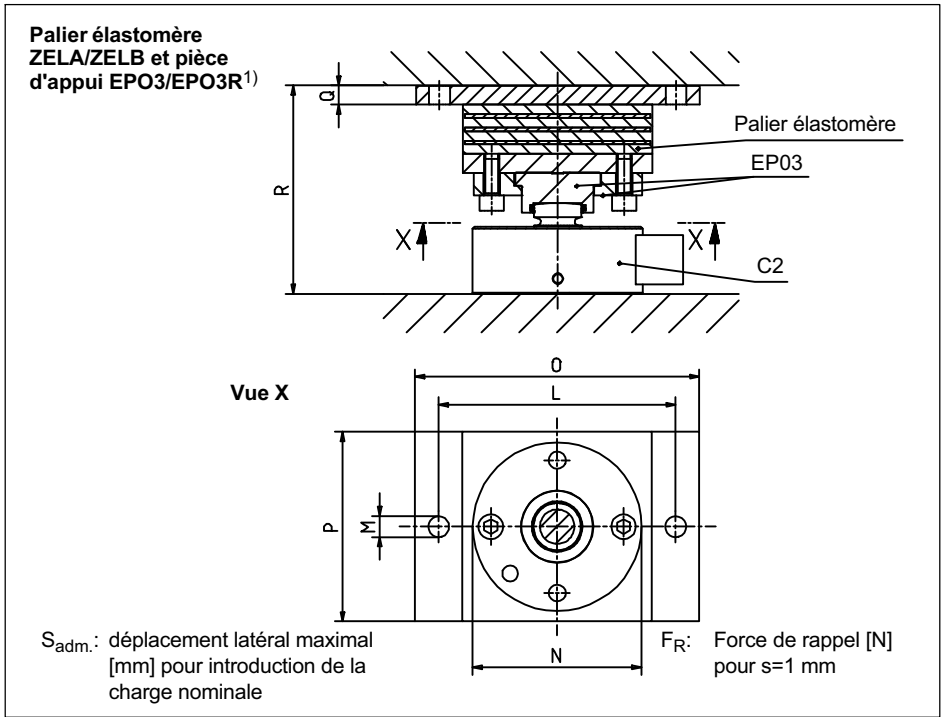
Charge nominale [t]	ØA _{0,2}	B	ØG	H	J	R	ØSH ⁸	T	ØU	X	Y
0,05 ... 1	50	30	42	4xM5	7	60	34	7	13	20	35
2 et 5	90	48	70	4xM10	12	100	55	12,5	25	30	50
10 et 20	115	60	90	4xM12	16	160	68	12,5	32	30	50
50	155	90	125	4xM16	20	300	97	15,5	44	30	50

8.2 Pièces pour le montage



Charge nominale [t]	Support pendulaire ¹⁾	Pièce d'appui ¹⁾	A	B	E	ØF	ØG	ØU	ØK	$S_{adm.}$	F_R
0,05 ... 1	1-ZPS13/44	1-EPO3/200 kg	90	74	21	89	70	13	9	±3	2,4
2 et 5	1-ZPS25/66	1-EPO3R/5 t	130	114	21	89	70	25	9	±5	2,6
10 et 20	1-ZPS32/115	1-EPO3R/20 t	195	175	27,5	110	90	32	13	±9	1,2
50	1-ZPS44/150	1-EPO3/50 t	280	239,5	50	147	120	44	18	±10	1,5

¹⁾ Support pendulaire ZPS, les pièces d'appui EPO3R et EPO3/200kg sont en acier inoxydable.



Charge nominale [t]	Palier élastomère ¹⁾	Pièce d'appui ¹⁾	L	M	N	O	P	Q	R	$S_{adm.}$	F_R
0,5 et 1	1-ZELB/2 t	1-EPO3/ 200 kg	100	9	89	120	60	10	85,5	±4,5	400
2	1-ZELB/2 t	1-EPO3R/ 5 t	100	9	89	120	60	10	103	±4,5	400
5	1-ZELB/5 t	1-EPO3R/ 5 t	125	11	89	150	100	10	110	±8	620
10	1-ZELB/10 t	1-EPO3R/ 20 t	175	13	110	200	100	12	135	±9,5	810
20	1-ZELA/20 t	1-EPO3R/ 20 t	230	13	110	260	150	12	142	±5	1400
50	1-ZELA/50 t	1-EPO3/ 50 t	335	17	148	370	200	15	200	±10,5	2300

1) Support pendulaire ZPS, les pièces d'appui EPO3R et EPO3/200kG sont en acier inoxydable.

Mounting Instructions | Montageanleitung | Notice de montage | Istruzioni per il montaggio

English

Deutsch

Français

Italiano



C2

1	Note sulla sicurezza	3
2	Simboli utilizzati	6
2.1	Simboli utilizzati nelle presenti istruzioni	6
3	Condizioni del luogo di installazione	7
3.1	Pressione ambientale	7
3.2	Avvisi specifici	7
4	Avvisi per il montaggio	8
5	Introduzione del carico	9
6	Collegamento	10
6.1	Avvisi per il cablaggio	10
6.2	Tecnica di collegamento	10
6.3	Collegamento in parallelo di più trasduttori	11
6.4	Collegamento con circuito a 4 fili	11
6.5	Prolungamento del cavo	12
6.6	Avvisi per il cablaggio	12
7	Dati tecnici	13
7.1	Valori meccanici	15
7.2	Opzioni	15
8	Dimensioni (in mm)	16
8.1	Trasduttore	16
8.2	Accessori di montaggio	17

1 Note sulla sicurezza

Le celle di carico possono essere impiegate come componenti della macchina (p. es. per pesature di serbatoi). In questi casi notare che, per ottenere un'elevata sensibilità, le celle di carico non possono essere costruite con i fattori di sicurezza usuali nella produzione delle macchine. Se in caso di rottura esiste il pericolo di danni alle persone e alle cose, l'utente è tenuto ad adottare le misure di sicurezza (come p. es. protezioni da sovraccarico o protezioni antiribaltamento) secondo le prescrizioni antinfortunistiche vigenti. L'impiego corretto e sicuro delle celle di carico presuppone un trasporto adeguato, un magazzinaggio, un'installazione e un montaggio corretti, nonché un comando e una manutenzione accurati.

Considerare in particolare quanto indicato al *Capitolo 7 Dati tecnici, a pagina 13*:

- carichi limite,
- carichi laterali limite,
- carichi di rottura e
- carichi dinamici ammissibili.

L'elettronica che elabora il segnale di misura deve essere concepita in modo tale che l'eventuale venir meno del segnale di misura non causi alcun danno conseguente.

Uso conforme

Le celle di carico del tipo C2 sono concepite per applicazioni della tecnologia di pesatura. Tutti gli utilizzi che esulino dai suddetti campi applicativi sono da considerarsi *non conformi*.

Per garantire il funzionamento in sicurezza, le celle di carico devono essere usate esclusivamente come specificato in queste istruzioni di montaggio. Durante l'uso devono essere inoltre osservate le normative legali e sulla sicurezza previste per ogni specifica applicazione. Quanto sopra affermato vale anche per l'uso di accessori.

Per lo scopo per cui sono progettate, le celle di carico non possono essere considerate elementi di sicurezza. L'impiego corretto e sicuro delle celle di

carico presuppone un trasporto adeguato, un magazzinaggio, un'installazione e un montaggio corretti, nonché un comando e una manutenzione accurati.

Pericoli generali in caso di non-osservanza delle istruzioni di sicurezza

Le celle di carico sono conformi allo stato dell'arte e senza rischio di guasto. Se le celle di carico vengono montate in modo non idoneo da personale non addestrato, possono derivarne pericoli residui.

Chiunque venga incaricato dell'installazione, messa in funzione, manutenzione o riparazione di una cella di carico dovrà aver letto e compreso quanto riportato nelle presenti istruzioni di montaggio, in particolare le note sulla sicurezza.

Pericoli residui

L'insieme delle prestazioni e il contenuto della fornitura delle celle di carico coprono soltanto un ambito parziale della tecnologia di pesatura. Il progettista, il costruttore e il gestore dell'impianto dovranno inoltre rispettivamente progettare, realizzare e assumersi la responsabilità dei sistemi tecnici di sicurezza della tecnologia di pesatura, in modo da ridurre al minimo i pericoli residui. Si devono rispettare le relative prescrizioni esistenti in materia. I pericoli residui connessi alla tecnologia di pesatura devono essere esplicitamente specificati.

Condizioni ambientali

Osservare nel rispettivo campo applicativo che tutti i materiali che emettono ioni (di cloro) aggrediscono anche acciai inossidabili e i relativi cordoni di saldatura. In questo caso il gestore deve prevedere misure di protezione corrispondenti.

Sono vietate conversioni e modificazioni arbitrarie

Non è consentito apportare alle celle di carico modifiche dal punto di vista costruttivo e della sicurezza senza il nostro esplicito consenso. Qualsiasi modifica annulla la nostra eventuale responsabilità per i danni che ne potrebbero derivare.

Personale qualificato

Queste celle di carico devono essere impiegate esclusivamente da personale qualificato ed in maniera conforme ai dati tecnici ed alle norme e prescrizioni di

sicurezza riportate di seguito. Devono inoltre essere osservate le normative legali e sulla sicurezza previste per ogni specifica applicazione. Quanto sopra affermato vale anche per l'uso di accessori.

Per personale qualificato s'intendono coloro che abbiano familiarità con l'installazione, il montaggio, la messa in funzione e l'impiego del prodotto e che per la loro attività abbiano conseguito la corrispondente qualifica.



Prevenzione degli infortuni

Sebbene il carico nominale indicato nel campo di distruzione sia un multiplo del fondo scala del campo di misura, occorre osservare le prescrizioni antinfortunistiche pertinenti delle associazioni di categoria.

2 Simboli utilizzati

2.1 Simboli utilizzati nelle presenti istruzioni

Gli avvisi importanti concernenti la sicurezza sono evidenziati in modo specifico. Osservare assolutamente questi avvisi al fine di evitare incidenti e danni materiali.

Simbolo	Significato
 ATTENZIONE	Questo simbolo rimanda a una <i>possibile</i> situazione di pericolo che – in caso di mancato rispetto delle disposizioni di sicurezza – <i>può causare</i> lesioni medie o lievi.
Avviso	Questo simbolo rimanda a una situazione che – in caso di mancato rispetto delle disposizioni di sicurezza – <i>può causare</i> danni materiali.
 Informazione	Questo simbolo segnala informazioni sul prodotto o sul suo uso.
<i>Evidenziazione</i> <i>Vedi ...</i>	Il corsivo indica i punti salienti del testo e contrassegna riferimenti a capitoli, figure o documenti e file esterni.

3 Condizioni del luogo di installazione

3.1 Pressione ambientale

La pressione ambientale può essere compresa tra 0 e 5 bar. Considerare che oscillazioni di pressione possono spostare il punto di zero.

Carico nominale	kg t	50	100	200	500	1	2	5	10	20	50
Variazione dello zero [%/10 mbar]		0,065	0,032	0,016	0,006	0,003	0,006	0,003	0,002	0,001	<0,001

3.2 Avvisi specifici

I trasduttori C2 sono completamente in materiali inossidabili. La resistenza a influenze ambientali aggressive deve essere verificata dall'utente per ogni singolo caso.

4 Avvisi per il montaggio

- Usare con cura il trasduttore.
- La sede del trasduttore deve essere orizzontale, completamente piana e come la superficie di montaggio del trasduttore assolutamente pulita.
- Evitare accumuli di polvere, sporcizia ed altri corpi estranei che potrebbero compromettere la mobilità del trasduttore e dei componenti per l'introduzione del carico, falsando così il valore di misura.
- Non sovraccaricare il trasduttore (p. es. con carichi distribuiti in modo non uniforme); se necessario prevedere una protezione da sovraccarico (p. es. corpo di protezione).
- Ogni trasduttore dovrebbe essere ponticellato già al momento del montaggio o subito dopo con un trefolo di rame (circa 16 mm²) per evitare correnti di saldatura sul trasduttore.

5 Introduzione del carico

Se impiegate in dispositivi di pesatura le celle di carico vengono sollecitate con forze laterali e coppie indesiderate. Queste possono derivare da deformazioni della struttura della bilancia caricata o da deformazioni termiche. Per limitare al minimo gli effetti di queste forze e coppie sul risultato, HBM offre come componenti per l'introduzione del carico supporti pendolari e appoggi gomma-metallo. Entrambi i componenti per l'introduzione del carico consentono una mobilità in orizzontale della struttura rispetto alle celle di carico.

La deflessione genera una forza di richiamo per riportare la bilancia alla sua posizione di partenza. Nel caso dei supporti pendolari questa forza di richiamo è proporzionale alla deflessione e al carico attuale, nel caso degli appoggi gomma-metallo è proporzionale alla deflessione. Ne deriva, soprattutto nel caso di uno sfruttamento parziale della bilancia, un comportamento di richiamo dei componenti per l'introduzione del carico diverso.

In più l'appoggio gomma-metallo dispone di un'attenuazione superiore in direzione orizzontale e verticale. In entrambi i casi non sono necessari tiranti laterali. Basta limitare la mobilità orizzontale della struttura della bilancia con battute (osservare s_{amm} del Capitolo 8.2 Accessori di montaggio, pagina 17).

6 Collegamento

6.1 Avvisi per il cablaggio

I campi magnetici ed elettrici causano spesso l'accoppiamento di tensioni di disturbo nel circuito di misura.

Osservare pertanto gli avvisi seguenti:

- Usare esclusivamente cavi di misura schermati ed a bassa capacità (i cavi HBM soddisfano queste condizioni).
- Non posare i cavi di misura paralleli alle linee di alta tensione e di controllo. Se ciò non fosse possibile (p. es. in canaline passacavi), proteggere il cavo di misura p. es. con tubi con armatura in acciaio.
- Evitare campi di dispersione di trasformatori, motori e commutatori di protezione.

6.2 Tecnica di collegamento

Celle di carico con il sistema di ER possono essere collegate a:

- Amplificatori di misura a frequenza portante oppure
- Amplificatori di misura a tensione CC.

I trasduttori sono dotati di circuiti a 6 fili. La disposizione dei collegamenti è riportata nella figura seguente (*Fig. 6.1*).

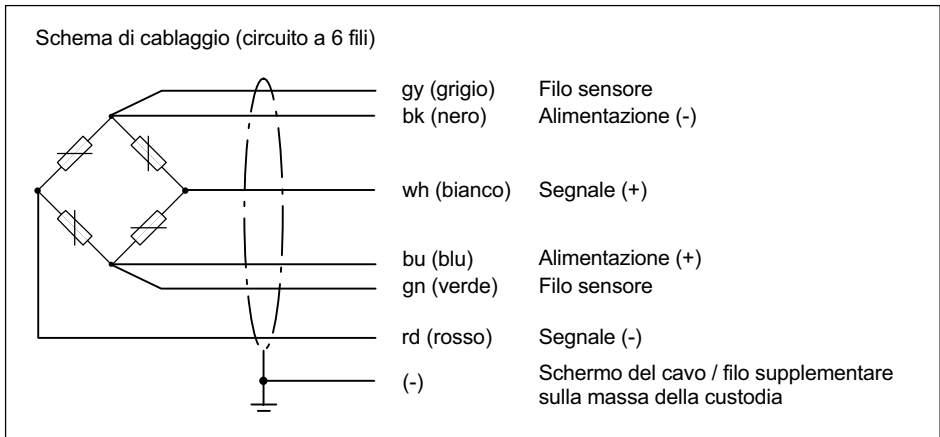


Fig. 6.1 Trasduttore con cavo di collegamento a sei fili

6.3 Collegamento in parallelo di più trasduttori

Collegare i trasduttori elettricamente in parallelo collegando tra loro le estremità dei fili dello stesso colore dei cavi di collegamento trasduttore.



ATTENZIONE

In questo caso un sovraccarico di una cella di carico singola non può essere riconosciuto dal segnale di uscita.

6.4 Collegamento con circuito a 4 fili

In caso di collegamento a amplificatori di misura con circuito a 4 fili, i fili bu e gn e bk e gy devono essere collegati fra loro. Considerare le deviazioni così provocate della sensibilità e del coefficiente termico della sensibilità.

6.5 Prolungamento del cavo

I cavi di prolungamento devono essere schermati ed a bassa capacità. Si raccomanda l'impiego dei cavi HBM, i quali soddisfano tali requisiti. Se vengono usati cavi di prolungamento, fare attenzione che il collegamento sia corretto con resistenze di contatto minime e presenti un buon isolamento.

Impiegando un circuito a 6 fili si compensano gli effetti di variazioni delle resistenze dovute a cavi di prolungamento. Se il cavo viene prolungato con circuito a 4 fili, la deviazione dalla caratteristica può essere ovviata con un aggiustamento, mentre gli effetti della temperatura vengono compensati solo con l'esercizio con circuito a 6 fili.

6.6 Avvisi per il cablaggio

Posare il cavo di collegamento della cella di carico in modo tale che acqua di condensa che possa essersi formata sul cavo o umidità possa gocciolare. Non deve raggiungere la cella di carico. Inoltre provvedere che l'umidità non penetri nell'estremità del cavo aperta.

7 Dati tecnici

Tipo			C2	
Classe di precisione		%	0,2	0,1
Carico nominale	E _{max}	kg	50	100, 200, 500
		t	-	1, 2, 5, 10, 20, 50
Sensibilità nominale	C _N	mV/V	2	
Tolleranza della sensibilità		%	< ±0,20	
Coefficiente termico della sensibilità nel campo nominale di temperatura nel campo della temperatura di esercizio	CT _S	%/10 K	< ±0,05	
		%/10 K	< ±0,10	
Coefficiente termico dello zero nel campo nominale di temperatura nel campo della temperatura di esercizio	CT ₀	%/10 K	< ±0,05	
		%/10 K	< ±0,10	
Isteresi relativa	d _{hy}		< ±0,15	
Deviazione della linearità	d _{lin}	% di C _N	< ±0,20	< ±0,10
Scorrimento oltre 30 min.			< ±0,06	
Resistenza d'ingresso	R _{LC}	Ω	340 ... 450	
Resistenza di uscita	R ₀		356 ±0,2	
Tensione di riferimento	U _{rif}	V	5	
Campo nominale della tensione di alimentazione	B _U	V	0,5 ... 10	0,5 ... 12
Max. tensione di alimentazione ammessa		V	12	18
Resistenza di isolamento	R _{is}	GΩ	>5	

Tipo		C2	
Classe di precisione		%	
			0,2 0,1
Campo nominale della temperatura ambiente	B _T	°C	-10 ... + 40
Campo della temperatura di esercizio	B _{tu}		-30 ... + 85 (-30 ... +120 ¹)
Campo della temperatura di magazzino	B _{tl}		-50 ... + 85
Carico limite	E _L	% di E _{max}	130 150
Carico di rottura	E _d		300
Carico laterale limite stat. rel.	E _{lq}		50
Carico dinamico ammissibile (Ampiezza di vibrazione secondo DIN 50100)			100
Grado di protezione secondo EN 60529 (IEC 529)			IP67
Materiale Corpo di misura Passacavo a vite Mantello del cavo			Acciaio inossidabile ² ottone nichelato, silicone elastomero termoplastico

1) Opzione: estensione campo della temperatura di esercizio.

2) Secondo EN 10088-1

7.1 Valori meccanici

Carico nominale [t]	Deflessione nominale, s_{nom} , circa [mm]	Peso, (G) circa [kg]	Lunghezza del cavo [m]
0,05	< 0,1	0,4	3
0,1	< 0,1	0,4	3
0,2	< 0,1	0,4	3
0,5	< 0,1	0,4	3
1	< 0,1	0,4	3
2	< 0,06	1,8	6
5	< 0,06	1,8	6
10	< 0,06	3	12
20	< 0,06	3	12
50	< 0,1	8,6	12

7.2 Opzioni

Versioni antideflagranti

- **A11/21** IECEx+ATEX zona 1/21 + FM, a sicurezza intrinseca II2G Ex ia IIC T6/T4 Gb / II2G Ex ia IIIC T125°C Db
- **A12/21** IECEx+ATEX zona 2/21, non a sicurezza intrinseca II3G Ex nA IIC T6/T4 Gc / II2D Ex tb IIIC T125°C Db
- **AIM1** IECEx+ATEX M1, a sicurezza intrinseca I M 1 Ex ia I Ma

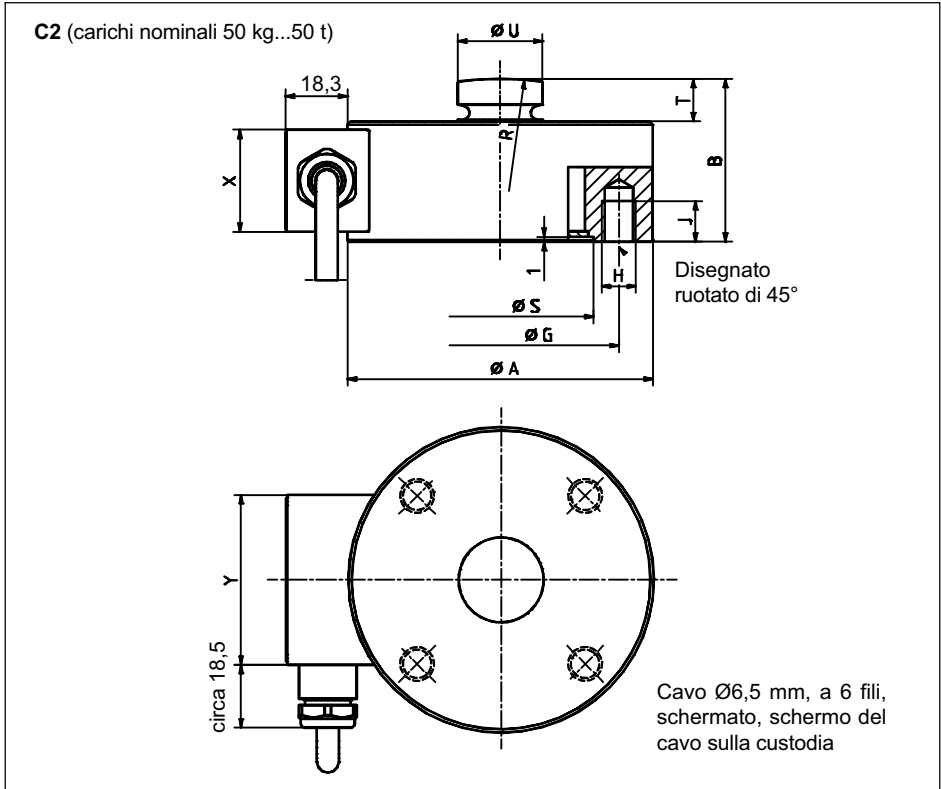
Campo della temperatura di esercizio esteso a 120°C (non possibile con protezione antideflagrante)

Accessori, da ordinare separatamente

- Supporto pendolare ZPS... e appoggio di compressione EPO3/EPO3R
- Appoggio gomma-metallo ZELA/ZELB e appoggio di compressione EPO3/EPO3R
- Cavo di messa a terra EEK

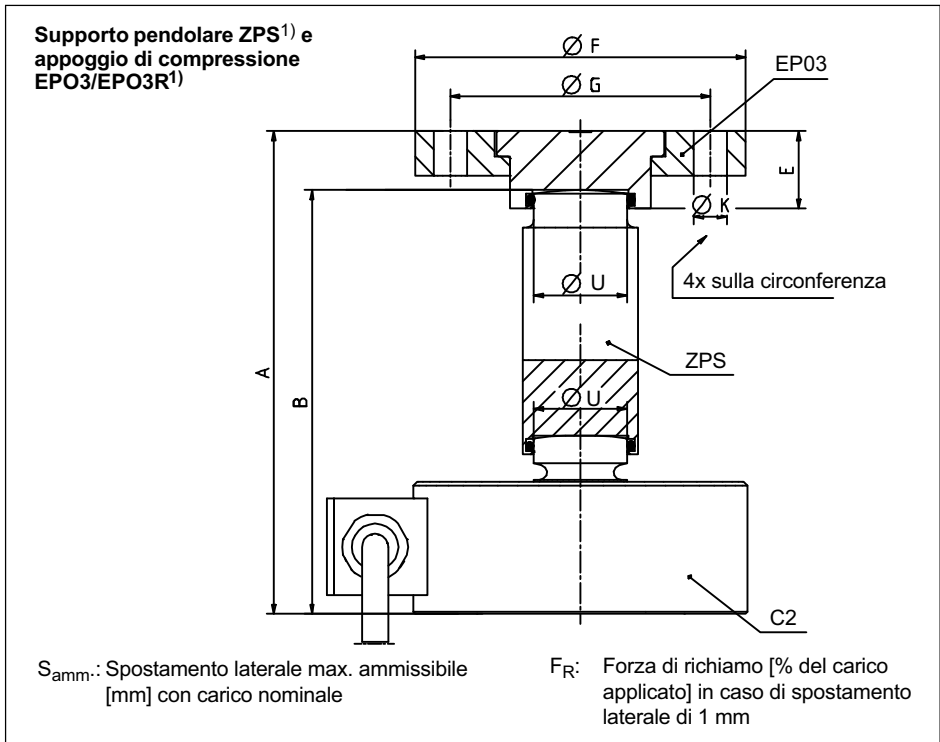
8 Dimensioni (in mm)

8.1 Trasduttore



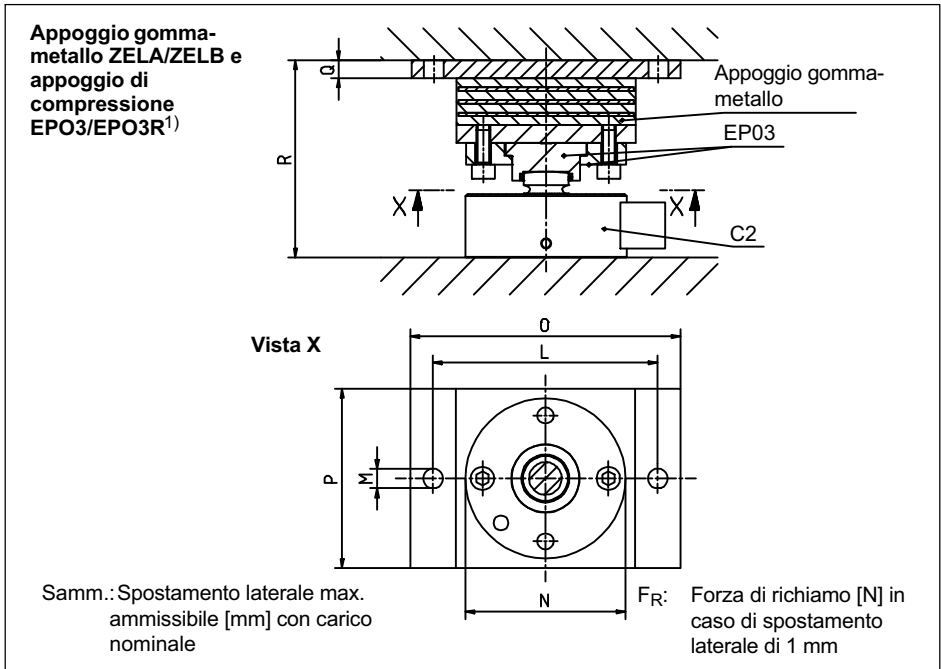
Carico nominale [t]	ØA _{0,2}	B	ØG	H	J	R	ØS ^{H8}	T	ØU	X	Y
0,05 ... 1	50	30	42	4xM5	7	60	34	7	13	20	35
2 e 5	90	48	70	4xM10	12	100	55	12,5	25	30	50
10 e 20	115	60	90	4xM12	16	160	68	12,5	32	30	50
50	155	90	125	4xM16	20	300	97	15,5	44	30	50

8.2 Accessori di montaggio



Carico nominale [t]	Supporto pendolare ¹⁾	Appoggio di compress. ¹⁾	A	B	E	ØF	ØG	ØU	ØK	S_{amm}	F_R
0,05 ... 1	1-ZPS13/44	1-EPO3/200 kg	90	74	21	89	70	13	9	±3	2,4
2 e 5	1-ZPS25/66	1-EPO3R/5 t	130	114	21	89	70	25	9	±5	2,6
10 e 20	1-ZPS32/115	1-EPO3R/20 t	195	175	27,5	110	90	32	13	±9	1,2
50	1-ZPS44/150	1-EPO3/50 t	280	239,5	50	147	120	44	18	±10	1,5

¹⁾ Il supporto pendolare ZPS, l'appoggio di compressione EPO3R e l'EPO3/200 kg sono in acciaio inossidabile.



Carico nominale [t]	Appoggio gomma-metallo ¹⁾	Appoggio di compressione ¹⁾	L	M	N	O	P	Q	R	S _{amm.}	F _R
0,5 e 1	1-ZELB/2 t	1-EPO3/200 kg	100	9	89	120	60	10	85,5	±4,5	400
2	1-ZELB/2 t	1-EPO3R/5 t	100	9	89	120	60	10	103	±4,5	400
5	1-ZELB/5 t	1-EPO3R/5 t	125	11	89	150	100	10	110	±8	620
10	1-ZELB/10 t	1-EPO3R/20 t	175	13	110	200	100	12	135	±9,5	810
20	1-ZELA/20 t	1-EPO3R/20 t	230	13	110	260	150	12	142	±15	1400
50	1-ZELA/50 t	1-EPO3/50 t	335	17	148	370	200	15	200	±10,5	2300

¹⁾ L'appoggio gomma-metallo ZELB, l'appoggio di compressione EPO3R e l'EPO3/200 kg sono in acciaio inossidabile.

HBM Test and Measurement

Tel. +49 6151 803-0

Fax +49 6151 803-9100

info@hbm.com

measure and predict with confidence



A1683-2.0 7-2001.0073 HBM: public

www.hbm.com