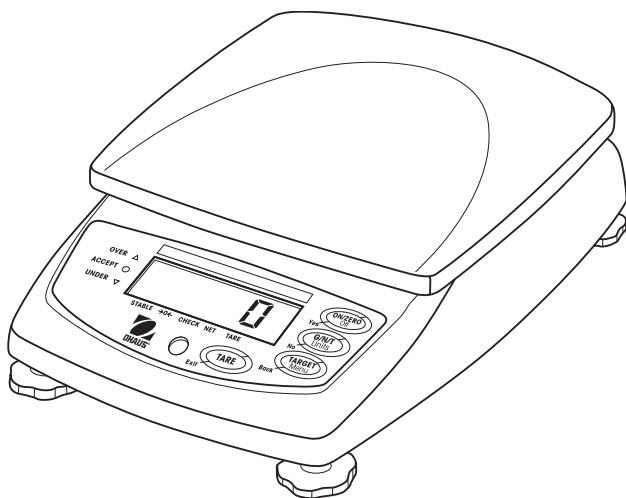




**FD Series
Instruction Manual
Serie FD
Manual de instrucciones
Série FD
Guide de l'utilisateur**





This product conforms to the EMC Directive 2004/108/EC and the Low Voltage Directive 2006/95/EC. The complete Declaration of Conformity is available from Ohaus Corporation

Este producto se conforma con el EMC 2004/108/EC directivo y la baja tensión 2006/95/EC directivo. El declaración completo de la conformidad está disponible de Ohaus Corporation.

Ce produit se conforme à l'EMC 2004/108/EC directif et la basse tension 2006/95/EC directif. La déclaration complète de la conformité est fournie par Ohaus Corporation.

Important notice for verified weighing instruments



Weighing Instruments verified at the place of manufacture bear one of the preceding mark on the packing label and the green 'M' (metrology) sticker on the descriptive plate. They may be put into service immediately.



Weighing Instruments to be verified in two stages have no green 'M' (metrology) on the descriptive plate and bear one of the preceding identification mark on the packing label. The second stage of the initial verification must be carried out by the approved service organization of the authorized representative within the EC or by the national weight & measures (W+M) authorities.

The first stage of the initial verification has been carried out at the manufacturers work. It comprises all tests according to the adopted European standard EN 45501:1992, paragraph 8.2.2.

If national regulations limit the validity period of the verification, the user of the weighing instrument must strictly observe the re-verification period and inform the respective W+M authorities.

Notificación importante para instrumentos de pesaje verificados



Los instrumentos de pesaje verificados en el sitio de fabricación llevan una de las marcas precedentes en el rótulo del empaque y la etiqueta de la 'M' verde (metrología) en la placa descriptiva. Estos instrumentos se pueden poner en funcionamiento inmediatamente.



Los instrumentos de pesaje a ser verificados en dos etapas no tienen ninguna 'M' verde (metrología) en la placa descriptiva, y presentan una de las marcas de identificación precedentes sobre el rótulo del empaque. La segunda etapa de la verificación inicial debe ser llevada a cabo por la organización de servicio aprobada del representante autorizado dentro de la CE o por las autoridades nacionales de pesos y medidas.

La primera etapa de la verificación inicial ha sido llevada a cabo en el sitio de fabricación. Ésta comprende todas las pruebas estipuladas por el estándar europeo adoptado: EN 45501:1992, párrafo 8.2.2.

Si las normas nacionales limitan el periodo de validez de la verificación, el usuario del instrumento de pesaje debe seguir estrictamente el periodo de re-verificación e informar a las correspondientes autoridades de pesos y medidas.

Avis important pour les instruments de pesage vérifiés



Les instruments de pesage vérifiés sur le site de fabrication portent l'une des marques précédentes sur l'étiquette de l'emballage avec un autocollant M (pour Métrologie) en vert sur la plaque descriptive. Ces instruments peuvent être immédiatement mis en service.



Les instruments de pesage à vérifier en deux étapes ne portent pas d'autocollant M (pour Métrologie) en vert sur la plaque descriptive et portent l'une des marques d'identification précédentes sur l'étiquette de l'emballage. La deuxième étape de la vérification initiale doit être exécutée par l'organisation de service homologuée du représentant agréé au sein de la CE ou par les autorités nationales de poids et mesures.

La première étape de la vérification initiale a été exécutée sur le site du fabricant. Elle se compose des tests requis par la norme européenne EN45501:1992, paragraphe 8.2.2.

Si des règlements nationaux limitent la durée de validité de la vérification, il incombe à l'utilisateur dudit instrument de pesage de respecter strictement la période de re-vérification et d'informer les autorités de poids et mesures respectives.

Disposal



In conformance with the European Directive 2002/96 EC on Waste Electrical and Electronic Equipment (WEEE) this device may not be disposed of in domestic waste. This also applies to countries outside the EU, per their specific requirements.

Please dispose of this product in accordance with local regulations at the collecting point specified for electrical and electronic equipment.

If you have any questions, please contact the responsible authority or the distributor from which you purchased this device.

Should this device be passed on to other parties (for private or professional use), the content of this regulation must also be related.

Thank you for your contribution to environmental protection.

Eliminación de residuos



De conformidad con las exigencias de la directiva europea 2002/96 CE sobre residuos de aparatos eléctricos y electrónicos (RAEE), este equipo no puede eliminarse como basura doméstica. Esta prohibición es asimismo válida para los países que no pertenecen a la UE cuyas normativas nacionales en vigor así lo reflejan.

Elimine este producto, según las disposiciones locales, mediante el sistema de recogida selectiva de aparatos eléctricos y electrónicos.

Si tiene alguna pregunta al respecto, diríjase a las autoridades responsables o al distribuidor que le proporcionó el equipo.

Si transfiere este equipo (por ejemplo, para la continuación de su uso con fines privados, comerciales o industriales), deberá transferir con él esta disposición.

Muchas gracias por su contribución a la conservación medioambiental.

Elimination



En conformité avec les exigences de la directive européenne 2002/96 CE relative aux déchets d'équipements électriques et électroniques (DEEE), cet appareil ne doit pas être éliminé avec les déchets ménagers. Logiquement, ceci est aussi valable pour les pays en dehors de l'UE conformément aux réglementations nationales en vigueur.

Veillez éliminer cet appareil conformément aux prescriptions locales dans un conteneur séparé pour appareils électriques et électroniques.





Pour toute question, adressez-vous aux autorités compétentes ou au revendeur chez qui vous avez acheté cet appareil.

En cas de remise de cet appareil (p. ex. pour une utilisation privée ou artisanale/industrielle), cette prescription doit être transmise en substance.

Merci pour votre contribution à la protection de l'environnement.

Compliance to the following standards is indicated by the corresponding marking on the product.
 El cumplimiento con los siguientes estándares se indica mediante el correspondiente marcado sobre el producto.

La conformité aux normes suivantes est indiquée par le marquage correspondant sur le produit.

Marking Marcado Marquage	Standard Estándar Normes
	UL60950-1 : 2003
	AS/NZS4251.1, AS/NZS4252.1
	NSF/ANSI 169
	NSF/ANSI /3-A 14159-1

FCC Note

This equipment has been tested and found to comply with the limits for a Class B digital device, pursuant to Part 15 of the FCC Rules. These limits are designed to provide reasonable protection against harmful interference in a residential installation. This equipment generates, uses and can radiate radio frequency energy and, if not installed and used in accordance with the instructions, may cause harmful interference to radio communications. However, there is no guarantee that interference will not occur in a particular installation. If this equipment does cause harmful interference to radio or television reception, which can be determined by turning the equipment off and on, the user is encouraged to try to correct the interference by one or more of the following measures:

- Reorient or relocate the receiving antenna.
- Increase the separation between the equipment and receiver.
- Connect the equipment into an outlet on a circuit different from that to which the receiver is connected.
- Consult the dealer or an experienced radio/TV technician for help.

Industry Canada Note

This Class B digital apparatus complies with the Canadian ICES-003.
 Cet appareil numérique de la classe B est conforme à la norme NMB-003 du Canada.

ISO 9001 Registration

In 1994, Ohaus Corporation, USA, was awarded a certificate of registration to ISO 9001 by Bureau Veritus Quality International (BVQI), confirming that the Ohaus quality management system is compliant with the ISO 9001 standard's requirements. On May 15, 2003, Ohaus Corporation, USA, was re-registered to the ISO 9001:2000 standard.

Registro ISO 9001

En 1994, Bureau Veritus Quality International (BVQI) le otorgó a Ohaus Corporation, EE.UU., un certificado de registro ISO 9001 el cual confirma que el sistema administrativo de calidad de Ohaus cumple con los requerimientos del estándar ISO 9001. En mayo 15 del 2003, Ohaus Corporation, EE.UU., fue registrada nuevamente al estándar ISO 9001:2000.

Enregistrement ISO 9001

En 1994, le Bureau Veritus Quality International (BVQI) a octroyé la certification d'enregistrement ISO 9001 à Ohaus Corporation, États-Unis d'Amérique, confirmant que le système de gestion de la qualité Ohaus était conforme aux conditions normalisées de l'ISO 9001. Le 15 mai 2003, Ohaus Corporation, États-Unis d'Amérique, a été ré-enregistrée à la norme ISO 9001:2000.

TABLE OF CONTENTS

1 INTRODUCTION	EN-3
1.1 Product Description	EN-3
1.2 General Features	EN-3
1.3 Safety Precautions	EN-4
2 INSTALLATION	EN-5
2.1 Unpacking	EN-5
2.2 Installing Components	EN-5
2.3 Selecting the Location	EN-5
2.4 Connecting Power	EN-5
2.4.1 AC Power	EN-5
2.4.2 Battery Power	EN-6
2.5 Initial Calibration	EN-6
3 OPERATION	EN-7
3.1 Overview of Parts and Controls	EN-7
3.2 Control Functions	EN-9
3.3 Basic Operation	EN-9
3.3.1 Turning On	EN-9
3.3.2 Turning Off	EN-9
3.3.3 Zeroing	EN-9
3.3.4 Taring	EN-9
3.3.5 Displaying Gross and Tare Values	EN-10
3.3.6 Changing Unit of Measure	EN-10
3.4 Menu	EN-10
3.4.1 Menu Structure	EN-10
3.4.2 Menu Navigation	EN-11
3.4.3 Changing Menu Settings	EN-11
3.5 Application Modes	EN-11
3.5.1 Weighing	EN-11
3.5.2 Checkweighing	EN-11
3.6 Checkweigh Target Settings	EN-12
3.7 Scale Settings	EN-13
3.7.1 Calibration sub-menu	EN-13

3.7.2 Setup sub-menu	EN-15
3.7.3 Readout sub-menu	EN-16
3.7.4 Unit sub-menu	EN-17
3.7.5 Mode sub-menu	EN-18
3.7.6 Lockout sub-menu	EN-19
3.8 Legal for trade Settings	EN-20
3.9 Sealing the Scale	EN-20
4 MAINTENANCE EN-21	
4.1 Calibration EN-21	
4.2 Cleaning EN-21	
4.3 Troubleshooting	EN-21
4.4 Service Information	EN-22
4.5 Accessories EN-22	
5 TECHNICAL DATA EN-23	
5.1 Drawings EN-23	
5.2 Specifications	EN-23
Tables	
Table 3-1 Parts and Controls	EN-8
Table 3-2 Menu Structure	EN-10
Table 3-3 Calibration Points	EN-13
Table 4-1 Troubleshooting	EN-21
Table 4-2 Error Codes	EN-22
Table 5-1 Specifications	EN-24
Table 5-2 Specifications	EN-25
Figures	
Figure 2-1 Installing	EN-7
Figure 2-2 Leveling Indicator	EN-7
Figure 2-3 Bottom of Scale	EN-7
Figure 3-1 Parts EN-7	
Figure 3-2 Control Panel	EN-7
Figure 3-3 Display	EN-8
Figure 3-4 Security Switch Settings	EN-20
Figure 3-5 Sealing Methods	EN-20
Figure 5-1 Scale Dimensions	EN-23

1 INTRODUCTION

This manual contains installation, operation and maintenance instructions for the FD Series scale. Please read the manual completely before installation and operation.

1.1 Product Description

The FD Series is an easy-to-clean and rugged compact scale engineered specifically for hygiene-oriented environments and to enhance productivity. With its stainless steel construction, compact size and food safety approvals, it is ideal for use in sanitary and food preparation areas such as kitchens, bakeries, restaurants, packaging and processing facilities. Battery operation and a backlit LCD display make for a portable scale that can be easily carried to various locations and used under a wide range of lighting conditions. Its fast display update speed, straight forward 4-button operation and configurable checkweighing mode make the FD Series a simple yet flexible scale for general weighing, portioning and sorting applications. This precision weighing scale will provide years of service when properly cared for.

1.2 General Features

- Capacity Models(FDxx,): 3kg x .5g / 6lb x .001lb, 6kg x 1g / 15lb x .002lb, 15kg x 2g / 30 lb x .005lb
- Maximum Displayed Resolution(FDxx) 1:6000 to 7500
- Type-approved Resolution(FDxx) 1:3000
- Capacity Models(FDxxH): 3kg x .1g / 6lb x .0002lb, 6kg x 0.2g / 15lb x .001lb, 15kg x 1g / 30 lb x .001lb
- Maximum Displayed Resolution(FDxxH) 1:30000
- Food Safety Certifications: NSF, USDA/AMS
- Stainless steel low-profile enclosure
- Stainless steel weighing pan: 209 x 209 mm (8.2" x 8.2")
- Backlit LCD display: 5-digit 7-segment, 19mm (.75") digit height
- Multiple weighing units: kg, g, lb, oz (decimal or fractional), lb:oz (decimal or fractional oz)
- Display update speed: within 2 seconds
- 3-color LED with configurable audible alert checkweigh indications
- 4-button control panel, including dedicated Tare button
- Built-in level indicator and adjustable slip-resistant rubber leveling feet
- Built-in rechargeable lead-acid battery: 120-hour operation on a 15-hour charge
- Battery status indicator with power-saving Auto-off function
- Gross, Net, Tare operation
- Auto-zero tracking operation
- Auto-tare operation
- Enhanced digital filtering
- Connection for accessory Foot Switch for remote tare operation

1.3 Safety Precautions



For safe and dependable operation of this scale, please comply with the following safety precautions:

- Verify that the input voltage printed on the AC Adapter's data label and the plug type matches the local AC power supply.
- Make sure that the power cord does not pose a potential obstacle or tripping hazard.
- Use only approved accessories and peripherals.
- Operate the scale only under ambient conditions specified in these instructions.
- Disconnect the scale from the power supply when cleaning the scale.
- Do not operate the scale in hazardous or unstable environments.
- Do not immerse the scale in water or other liquids.
- Avoid directly splashing the scale with water or other liquids.
- Do not drop heavy loads on the platform.
- Service should only be performed by authorized personnel.

2 INSTALLATION

2.1 Unpacking

Unpack and verify that the following components have been included:

- FD Scale
- Weighing Pan
- AC Adapter
- Instruction Manual
- Warranty Card
- Weights and Measures Sealing Kit

Save the packaging material. Repack the scale in the original packaging to ensure safe storage or transport of the product.

2.2 Installing Components

Place the weighing pan securely over the four load pads on the top of the scale. If using the optional foot switch, plug the foot switch connection into the appropriate receptacle on the underside of the scale (refer to Figure 2-3).

2.3 Selecting the Location

Operate the scale on a firm, level surface. Avoid locations with rapid temperature changes or excessive dust, air currents, vibrations, electromagnetic fields or heat.

Adjust the leveling feet so that the bubble is centered in the circle of the level indicator.

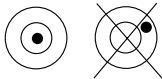


Figure 2-2. Leveling Indicator.

NOTE: The scale should be leveled each time its location is changed.

2.4 Connecting Power

2.4.1 AC Power

Check to ensure that the voltage printed on the scale's data label matches your local line voltage. If this is not the case, DO NOT connect the scale to the power supply. Contact an OHAUS dealer for assistance.

Connect the AC adapter to the wall outlet. Connect the plug into the power receptacle on the underside of the scale.

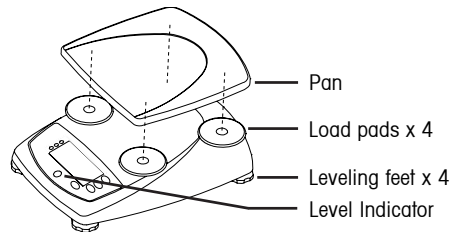


Figure 2-1. Installing Scale Components.

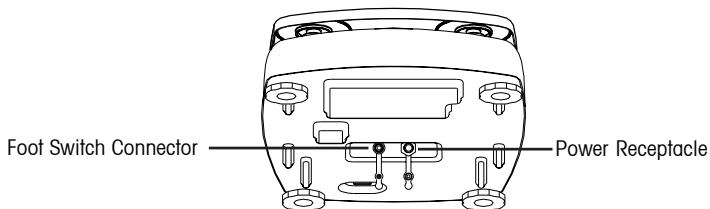


Figure 2-3. Bottom of Scale.



Before using the scale for the first time, the internal rechargeable battery should be fully charged for up to 15 hours. The scale can be operated during the charging process. The battery is protected against over charging and the scale can remain connected to the AC power line.

Plug the AC Adapter into the receptacle marked "Power In" located on the underside of the scale and allow it to charge. While the battery is charging, the segments in the battery symbol will alternately light. When the battery is fully charged, the battery symbol will disappear.

2.4.2 Battery Power

The scale can be operated on the internal rechargeable battery when AC power is not available. The scale will automatically switch to battery operation if there is a power failure or the power cord is removed. A fully charged battery can operate the scale for up to 120 hours (with the backlight off) independent of the AC power line.

During battery operation, the battery symbol will light to show the current discharge status of the battery (1 segment = 25% capacity). A flashing symbol indicates that the battery requires recharging. The scale will automatically turn off when the battery is fully discharged.



CAUTION

BATTERY IS TO BE REPLACED ONLY BY AN AUTHORIZED OHAUS SERVICE DEALER.

RISK OF EXPLOSION CAN OCCUR IF REPLACED WITH THE WRONG TYPE OR CONNECTED IMPROPERLY.



Dispose of the lead acid battery according to local laws and regulations.

2.5 Initial Calibration

When the scale is first installed, a SPAN calibration should be performed to ensure accurate weighing results. Before performing the SPAN calibration, be sure to have the appropriate calibration weights. Refer to Section 3.7.1.

3 OPERATION

3.1 Overview of Parts and Controls

Identify parts and controls using item numbers from Table 1.

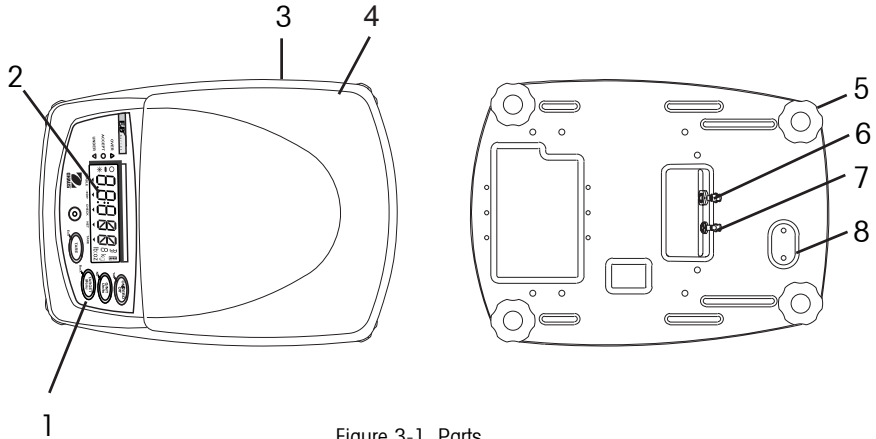


Figure 3-1. Parts.

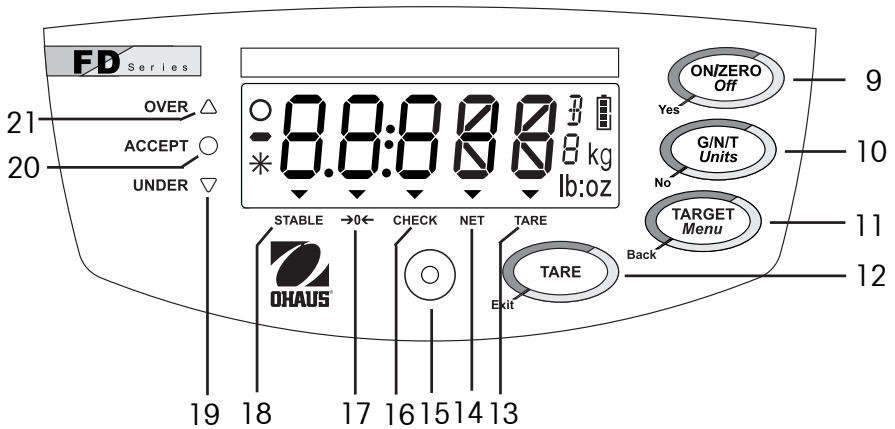


Figure 3-2. Control Panel.

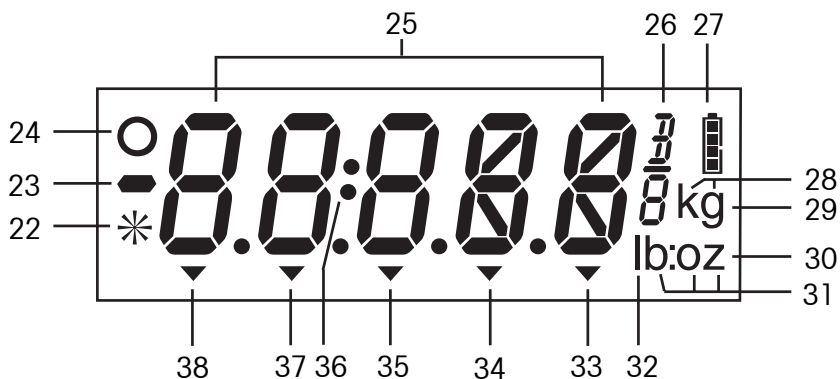


Figure 3-3. Display.





TABLE 3-1. PARTS AND CONTROLS.

Item	Description
1	Control buttons
2	Display
3	Data Label
4	Weighing pan
5	Adjustable leveling feet
6	Connection for AC adapter
7	Connection for optional foot switch
8	Security Cover
9	Power and Zero button
10	Gross/Net/Tare and Unit button
11	Target/Menu button
12	Tare button
13	Tare indicator
14	Net indicator
15	Leveling indicator
16	Checkweigh mode indicator
17	Center of Zero indicator
18	Stable indicator
19	Yellow Under LED

Item	Description
20	Green Accept LED
21	Red Over LED
22	Not used
23	Minus sign
24	Not used
25	7-segment display
26	Fractional ounce symbol
27	Battery charge symbol
28	Kilogram unit symbol
29	Gram unit symbol
30	Ounce unit symbol
31	Pound:Ounce unit symbol
32	Pound unit symbol
33	Tare indicator
34	Net indicator
35	Checkweigh mode indicator
36	Pound:Ounce separator
37	Center of Zero indicator
38	Stable indicator

3.2 Control Functions

Four multi-function buttons are used to operate the scale.

Button				
Primary Function (short press)	ON / ZERO <ul style="list-style-type: none"> If scale is off, turns scale on If scale is on, sets zero 	G/N/T Momentarily Displays Gross Net and Tare values	TARGET Initiates target setting mode	TARE <ul style="list-style-type: none"> Sets tare Clears tare, if pan is empty
Secondary Function (long press)	Off If scale is on, turns scale off	Units Changes weighing unit	Menu Enters menu mode	None
Menu Function	Yes Accepts current setting and advances to the next menu item	No Rejects current setting or menu item and advances to the next available item	Back Reverts back to previous menu item	Exit <ul style="list-style-type: none"> Immediately exits menu mode Aborts calibration in progress
Target Setting Function	Shifts to next digit	Increments value of the active digit	Accepts current displayed value	Changes sign (+ / -) of displayed value

3.3 Basic Operation

3.3.1 Turning On

With the scale off, press the **ON/ZERO Off** button. The scale performs a display test, then displays zero.

3.3.2 Turning Off

With the scale on, press and hold the **ON/ZERO Off** button until OFF is displayed.

3.3.3 Zeroing

Remove the load from the pan and press the **ON/ZERO Off** button to set the display to zero. The Center of Zero indicator turns on when the measurement is within $\pm 1/4$ d of the zero setting.

3.3.4 Taring

Semi-automatic Tare (Tare Button)

To store or change the Tare value, place an empty container on the pan and press the **TARE** button. The Net weight and NET indicator will be displayed.

To clear the Tare value, remove the container from the pan and press the **TARE** button. The NET indicator turns off and the gross weight will be displayed.

Automatic Tare (Refer to Section 3.7.3)

Auto-tare is a convenience feature that automatically tares the initial weight (such as an empty container) placed on the empty pan, without having to press the **TARE** button. The tare value is cleared automatically when the weight on the pan is fully removed.

Remote Tare (Foot Switch)

Taring with the optional foot switch is equivalent to pressing the **Tare** button.

3.3.5 Displaying Gross, Net and Tare Values

When a tare has been entered, pressing the **G/N/T** button successively displays the Tare (TARE indicator turns on), the Gross, and the Net weights (NET indicator turns on). After a few seconds the scale automatically reverts to displaying the NET weight.

3.3.6 Changing Unit of Measure

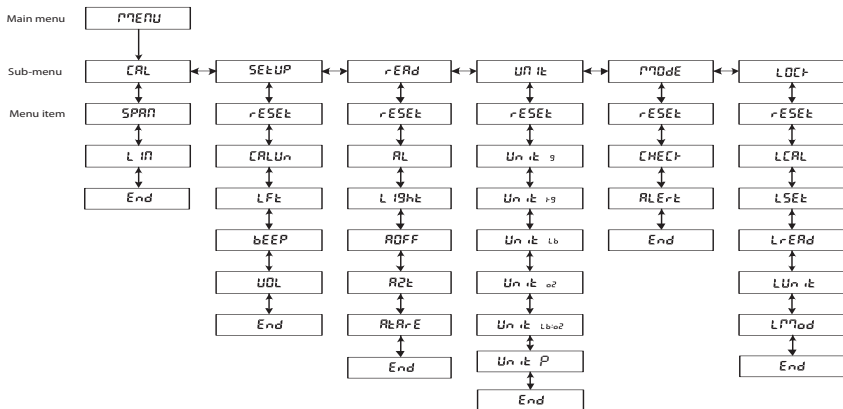
Press and hold the **Units** button until the desired unit is displayed. If one of the available units is not displayed, enable it as described in Section 3.7.4.

3.4 Menu

3.4.1 Menu Structure

The FD Series menu structure consists of three levels: Main, Sub-menu, and Menu item. The Main menu contains the Sub-menus and each Sub-menu contains several Menu items. Each Menu item contains two or more settings.

TABLE 3-2. MENU STRUCTURE.



NOTE: LFT menu item and LOCK sub menu will not appear in FDxxH models

3.4.2 Menu Navigation

Use the four buttons marked with **Yes**, **No**, **Back** and **Exit** to navigate through the menus (refer to Section 3.2).

- **Yes** - Enters the displayed sub-menu or menu item and accepts the displayed setting.
- **No** - Skips to the next sub-menu or menu item and changes the displayed setting.
- **Back** - Goes back to the previous sub-menu or menu item.
- **Exit** - Immediately exits the Menu mode.

3.4.3 Changing Menu Settings

Enter the menu by holding down the **Menu** button until Menu is displayed. When the button is released, the first available sub-menu is displayed.

- Navigate to the desired sub-menu using the **No** button.
- Enter the sub-menu using the **Yes** button.
- Navigate to the desired menu item using the **No** button.
- Enter the desired menu item using the **Yes** button.
- Change the setting using the **No** button or accept the setting using the **Yes** button.
- Continue navigation using the **Yes**, **No** and **Back** buttons or return to weighing using the **Exit** button.

3.5 Application Modes

Two application modes are available in the FD Series: Weigh and Checkweigh. To enable the Checkweigh mode, Checkweigh must be turned on in the Mode menu (refer to Section 3.7.5).

3.5.1 Weighing

Determines the weight of an item in the selected unit of measure. The FD Series is shipped with kilograms (kg) and pounds (lb) enabled. To enable other units of measure, they must be turned on in the Unit menu (refer to Section 3.7.4).

3.5.2 Checkweighing

Use this mode to compare the weight of an item to Under and Over target limits. When the checkweigh mode is enabled, the "CHECK" indicator will turn on.

To set the target limits, refer to Section 3.6 Checkweigh Target Settings.

Place the sample on the weighing pan. If the sample weight is under the target weight range, the yellow LED will light. If the sample is within the target weight range, the green LED will light. If the sample is over the target weight range, the red LED will light. The LED indication is complemented by an audible alert feature (refer to Section 3.7.5).

Normal Checkweighing

Set both targets as positive values, where the lightest acceptable weight is entered as the Under target limit and the heaviest acceptable weight is entered as the Over target limit. Items placed on the pan will be compared to the targets.

Negative Checkweighing

In "Negative" checkweighing, the part of an item subsequently removed from the pan is checked against the target limits. This method may be preferred in portioning applications.

- Set both targets as negative values, where the lightest acceptable weight is entered as the Under target limit and the heaviest acceptable weight is entered as the Over target limit.
- Place a quantity of items on the pan.
- Tare the items.
- Remove a portion of the items from the pan.
- The amount removed will be compared to the targets.

"Zero" Checkweighing

In "Zero" checkweighing, displayed results will show the deviation of the sample's weight from a reference or ideal weight. This approach may be more preferred for grading or sorting applications.

- Set the targets using a negative value (negative tolerance) for the Under limit and a positive value (positive tolerance) for the Over limit.
- Place the reference weight on the pan.
- Tare the reference weight and remove it from the pan.
- Place the item on the pan to be checked against the reference weight.
- The display will show a negative, positive or "0" value if the sample is less than, more than or equal to the reference weight, respectively.

3.6 Checkweigh Target Settings

To set the target limits, begin by pressing the **TARGET** button. The value of the Under target limit will be displayed first, with the left-most digit blinking.

Note: The scale must be in checkweigh mode to be able to enter or modify target values.

- To change the Under target limit, press the **No** button to increment the flashing digit, the **Yes** button to shift to the next digit and the **Exit** button to change the sign.
- Press the **TARE** button to toggle the display between a positive and negative value.
- To accept the Under target limit, press the **TARGET** button.
- Next, the value of the Over target limit will be displayed, with the left-most digit blinking.
- Repeat the procedure above to set the Over target limit.
- When the Over target limit has been set, press the **TARGET** button to store the settings and begin Checkweighing.

3.7 Scale Settings

Enter the Menu mode. Proceed to a menu item and use the **Yes** and **No** buttons to view and select available scale settings. When the desired changes have been made, press **Exit** to return to weighing. Refer to Section 3.4 for more information on how to enter and navigate the menus.

3.7.1 Calibration sub-menu

Note: Calibration is not available when the scale has been set to Legal for Trade operation (LFT set to ON in the Setup sub-menu, refer to Section 3.7.2).

Calibration Types – The FD Series' calibration can be adjusted in two ways, Span and Linearity. Span calibration uses two calibration points to adjust the sensitivity of the scale. Linearity calibration uses three calibration points to correct for non-linear weighing results.

Calibration Weights – Before beginning calibration, make sure that the required calibration weights are available. The model-specific calibration points are listed in the table below.

TABLE 3-3. CALIBRATION POINTS.

Model	Calibration Unit	Span Calibration Points	Linearity Calibration Points
FD3/ FD3H	kg lb	1, 2 or 3 kg 2, 5 or 6 lb	1 or 2 and 3 kg 2 or 4 and 6 lb
FD6/ FD6H	kg lb	2, 5 or 6 kg 5, 10 or 15 lb	2 or 4 and 6 kg 5 or 10 and 15 lb
FD15/ FD15H	kg lb	5, 10 or 15 kg 10, 20 or 30 lb	5 or 10 and 15 kg 10 or 20 and 30 lb

Notes:

1. Default calibration points are shown in bold print.
2. Calibration Units kg or lb are selected in the Setup sub-menu (Section 3.7.2.)
3. ASTM Class 4 or OIML Class F2 weights are required for calibration.

Span Calibration Procedure

- When CAL is displayed, press **Yes** to enter the calibration sub-menu.
- When SPAN is displayed, press **Yes** to begin the Span calibration process.
- Clear the pan if prompted to do so, then press **Yes**.
- The display will show "--C--", followed by the span calibration weight value.
- If desired, press **No** to change to an alternate span calibration weight value.
- Place the indicated calibration weight on the scale and press **Yes**.
- The display will show "--C--", then "done" and then revert to weighing. Remove the calibration weight.

Note: The calibration procedure can be canceled at any time by pressing the **Exit** button or turning the scale off.

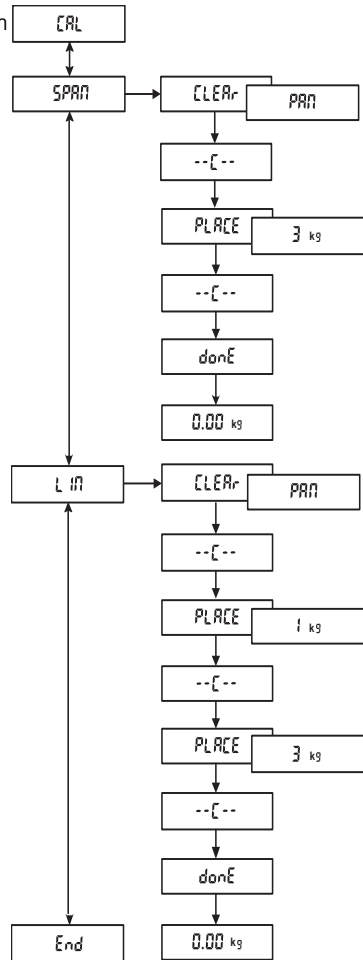
Linearity Calibration Procedure

- When LIN is displayed, press **Yes** to begin the linearity calibration process.
- Clear the pan if prompted to do so, then press **Yes**.
- The display will show "--C--", followed by the first calibration weight value.
- If desired, press **No** to change to an alternate first calibration weight value.
- Place the indicated calibration weight on the scale and press **Yes**.
- The display will show "--C--", followed by the second calibration weight value.
- Place the indicated calibration weight on the scale and press **Yes**.
- The display will show "--C--", then "done" and then revert to weighing. Remove the calibration weight.

Note: The calibration procedure can be canceled at any time by pressing the **Exit** button or turning the scale off.

End

- Press **Yes** to leave this sub-menu and go to the next.
- Press **No** to return to the top menu item in this sub-menu.



3.7.2 Setup sub-menu

Press **Yes** to enter the Setup sub-menu.

Reset

Press **Yes** to enter the Reset menu.

- **No** - does not change the Setup sub-menu settings.
- **Yes** - reset the Setup sub-menu to the factory default settings (**bold and underlined text** herein).

Calibration Unit

Press **Yes** to enter the Calibration Unit menu.

- **kg** - calibrate using kilogram weights.
- **lb** - calibrate using pound weights.

Legal for Trade

Press **Yes** to enter the LFT menu.

- **Off** - set the scale for non-Legal for Trade operation.
- **On** - set the scale for Legal for Trade operation.

Note: See section 3.8 for information related to Legal for Trade operation.

Beeper

Press **Yes** to enter the Beeper menu.

- **Off** - beeper does not sound when a button is pressed.
- **On** - beeper sounds when a button is pressed.

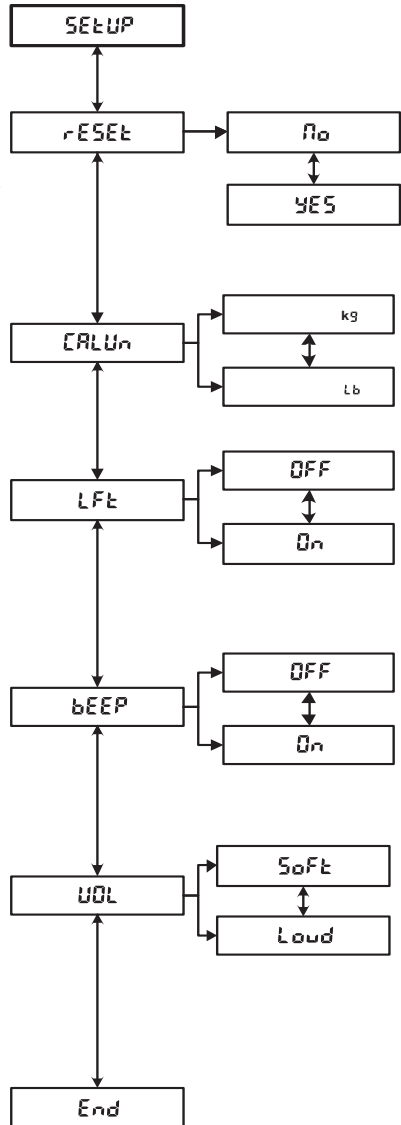
Volume

Press **Yes** to enter the Beeper Volume menu.

- **Soft** - volume of beeper is low.
- **Loud** - volume of beeper is high.

End

- Press **Yes** to leave this sub-menu and go to the next.
- Press **No** to return to the top menu item in this sub-menu.



3.7.3 Readout sub-menu

Press **Yes** to enter the Readout sub-menu.

Reset

Press **Yes** to enter the Reset menu.

- **No** - does not change the Readout sub-menu settings.
- **Yes** - reset the Readout sub-menu to the factory default settings (bold and underlined text herein).

Averaging Level

Press **Yes** to enter the Averaging Level menu.

- **Lo** - less filtering (faster stabilization time).
- **Hi** - more filtering (longer stabilization time).

Light

Press **Yes** to enter the Backlight menu.

- **Off** - turn display backlight off.
- **On** - turn display backlight on.
- **Auto** - automatically turns the display backlight on when the scale is active and off after 5 seconds of inactivity.

Auto Off

Press **Yes** to enter the Auto-off menu.

- **Off** - disable auto off.
- **On** - turn the scale off after 5 minutes of inactivity.

Auto Zero tracking

Press **Yes** to enter the Auto Zero Tracking menu.

- **0.5 d** - 1/2 division capture range.
- **1 d** - 1 division capture range.
- **3 d** - 3 division capture range.
- **Off** - disable Auto Zero Tracking.

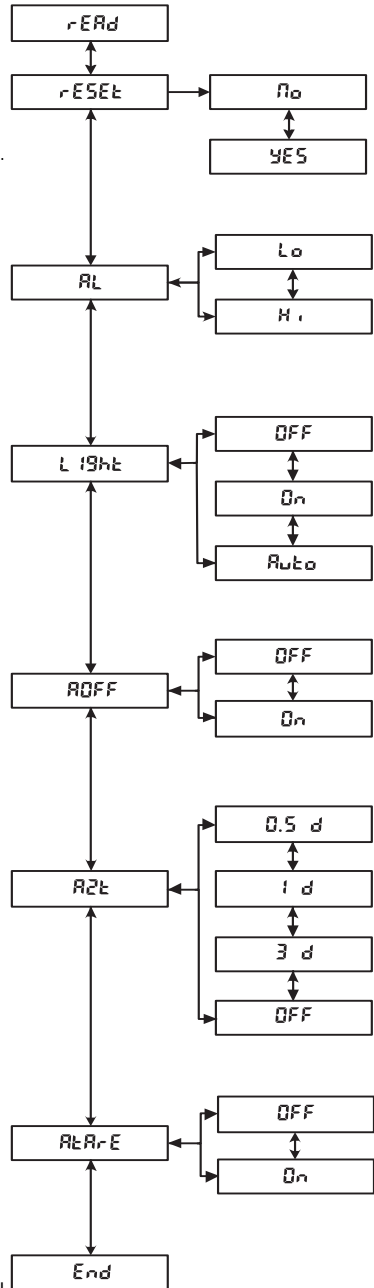
Auto Tare

Press **Yes** to enter the Automatic Tare menu.

- **Off** - disable Automatic Tare.
- **On** - enable Automatic Tare.

End

- Press **Yes** to leave this sub-menu and go to the next.
- Press **No** to return to the top menu item in this sub-menu.



3.7.4 Unit sub-menu

Press **Yes** to enter the Unit sub-menu.

Reset

Press **Yes** to enter the Reset menu.

- **No** - does not change the Unit sub-menu settings.
- **Yes** - reset the Unit sub-menu to the factory default settings (bold and underlined text herein).

Gram unit

Press **Yes** to enter the Gram unit menu.

- **Off** - disable grams.
- **On** - enable grams.

Kilogram unit

Press **Yes** to enter the Kilogram unit menu.

- **Off** - disable kilograms.
- **On** - enable kilograms

Pound unit

Press **Yes** to enter the Pound unit menu.

- **Off** - disable pounds.
- **On** - enable pounds.

Ounce unit

Press **Yes** to enter the Ounce unit menu.

- **Off** - disable ounces.
- **dEC** - enable decimal ounces.
- **FrAC** - enable fractional ounces.

Pound:Ounce unit

Press **Yes** to enter the Pound Ounce unit menu.

- **Off** - disable pound ounces.
- **dEC** - enable decimal pound ounces.
- **FrAC** - enable fractional pound ounces.

P(Percent) unit*

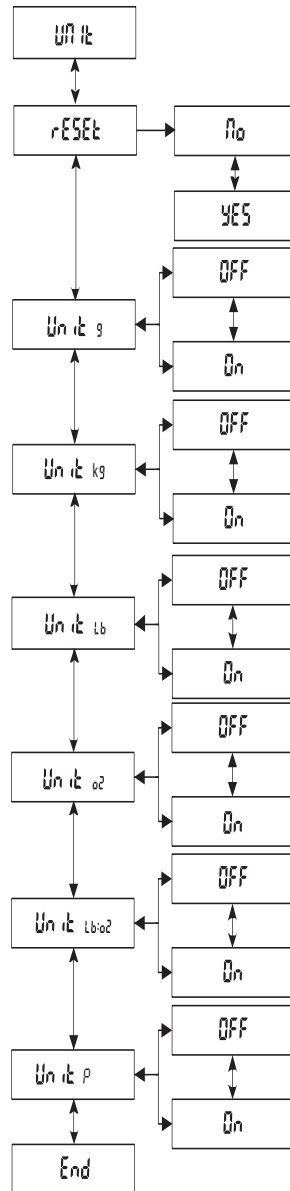
Press **Yes** to enter the P unit menu.

- **Off** - disable p.
- **On** - enable p.

End

- Press **Yes** to leave this sub-menu and go to the next.
- Press **No** to return to the top menu item in this sub-menu.

*Use P to measure the weight of a sample as a % of ref. weight. When P is selected display will show S.rEF and P. Press "No" to use ref. weight in memory, "Yes" to establish new ref. After placing reference material, press "Yes" to establish 100% ref. Replace ref. material with new sample to read percentage of the sample compared to ref. weight



3.7.5 Mode sub-menu

Press **Yes** to enter the Mode sub-menu.

Reset

Press **Yes** to enter the Reset menu.

- **No** - does not change the Mode sub-menu settings.
- **Yes** - reset the Mode sub-menu to the factory default settings (**bold and underlined text** herein).

Checkweigh mode

Press **Yes** to enter the Checkweigh menu.

- **Off** - disable the Checkweighing mode.
- **On** - enable the Checkweighing mode.

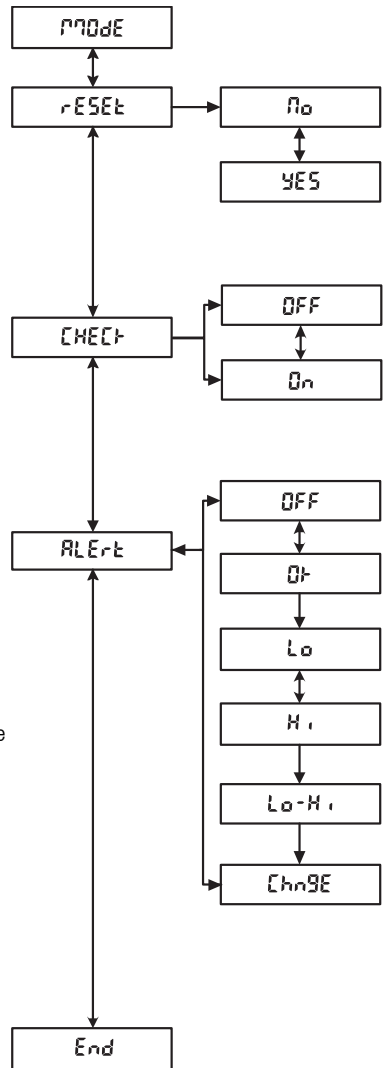
Alert

Press **Yes** to enter the Checkweigh Alert menu.

- **Off** - disable alert beeping.
- **OK** - beep when the green Accept light is on.
- **Lo** - beep when the yellow Under light is on.
- **Hi** - beep when the red Over light is on.
- **Lo-Hi** - beep when the yellow Under or red Over light is on.
- **Change** - beep once when the green Accept light is on, twice when the red Over light is on.

End

- Press **Yes** to leave this sub-menu and go to the next.
- Press **No** to return to the top menu item in this sub-menu.



3.7.6 Lockout sub-menu

Press **Yes** to enter the Lockout sub-menu.

Reset

Press **Yes** to enter the Reset sub-menu.

- **No** - does not change the Lockout sub-menu settings.
- **Yes** - reset the Lockout sub-menu to the factory default settings (bold and underlined text herein).

Lock Calibration

Press **Yes** to enter the Lock Calibration sub-menu.

- **Off** - enable changes to the Calibration sub-menu.
- **On** - lock Calibration sub-menu settings.

Lock Setup

Press **Yes** to enter the Lock Setup sub-menu.

- **Off** - enable changes to the Setup sub-menu.
- **On** - lock Setup sub-menu settings.

Lock Readout

Press **Yes** to enter the Lock Readout sub-menu.

- **Off** - enable changes to the Readout sub-menu.
- **On** - lock Readout sub-menu settings.

Lock Unit

Press **Yes** to enter the Lock Unit sub-menu.

- **Off** - enable changes to the Unit sub-menu.
- **On** - lock Unit sub-menu settings.

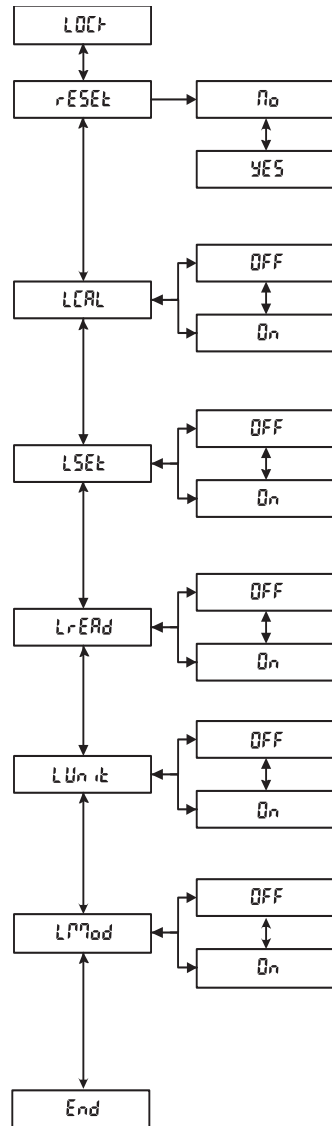
Lock Mode

Press **Yes** to enter the Lock Mode sub-menu.

- **Off** - enable changes to the Mode sub-menu.
- **On** - lock Mode sub-menu settings.

End

- Press **Yes** to leave this sub-menu and go to the next.
- Press **No** to return to the top menu item in this sub-menu.



3.8 Legal for Trade Settings

The FD Series is designed to comply with OIML, EEC, NTEP and Measurement Canada weights and measures regulations. These approvals may be pending; contact Ohaus for further details about availability.

Note:

Consult your local Weights and measures office for their regulations before placing the scale into a Legal for Trade application.

When the LFT menu item setting is On, the following conditions apply:

- The Calibration (CAL) sub-menu is hidden.
- The Calibration Lock (LCAL) menu item is hidden.
- The Auto Zero Tracking (AZt) menu item is set to 0.5 d.
- lb:oz unit is disabled.

When the weights and measures official has approved the scale for use, it should be sealed using one of the methods shown in Section 3.9.

3.9 Sealing the Scale

When used in conjunction with the Lockout menu and the security switch, the scale may be sealed to prevent or detect unauthorized changes to scale settings. For Legal for Trade applications, set the LFT menu item to ON, set the security switch to the On position, then seal the scale to prevent access to the metrological parameters. Seal the scale according to the local weights and measures regulations.

Sliding the switch to the ON position in FDxxH models will freeze the menu item settings in their current state

To regain access to the scale settings, break the seal and set the security switch to the OFF position.

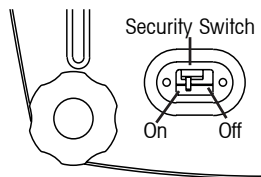
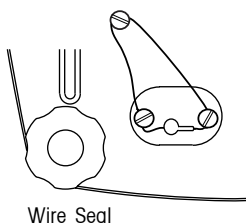


Figure 3-4. Security Switch Settings.

Wire Seal

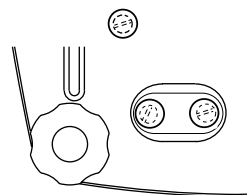
Remove the spacers under the cross drilled screws. Feed the wire through the cross drilled holes.



Wire Seal

Paper Seal

Place the paper seals over the screws and sealing spacers.



Paper Seal

Figure 3-5. Sealing methods.

4 MAINTENANCE

4.1 Calibration

Verify calibration periodically by placing either a ASTM Class 4 weight or an OIML Class F2 weight on the scale and compare the reading to the specifications. Refer to Section 3.7.1 for calibration procedure.

4.2 Cleaning

- Disconnect the scale from the power supply before cleaning.
- The housing and pan should be kept clean and free from foreign material.
- Wipe the exterior components of the scale using a soft cloth dampened with water and a mild detergent (do not use acids, alkalis or strong solvents).
- The leveling feet and load pads may be unscrewed and removed for cleaning.
- Do not allow liquids to enter the scale.
- Remove and clean the pan separately from the scale.
- The pan is dishwasher safe and may be placed with normal loads. All other parts must not be placed in a dishwasher.

4.3 Troubleshooting

The following table lists common problems, possible causes and remedies. If the problem persists, contact Ohaus or your authorized Ohaus dealer.

TABLE 4-1. TROUBLESHOOTING.

Symptom	Possible Causes	Remedy
Scale will not turn on.	AC power not connected. Battery discharged.	Connect scale to power. Connect scale to power and charge battery.
Battery indicator is low.	Battery discharged.	Connect scale to power and charge battery.
Battery fails to charge fully.	Battery is defective.	Have the battery replaced by an authorized Ohaus service dealer.
Weight reading does not stabilize.	Unstable environment. Interference under pan.	Ensure a stable environment. Ensure that the weighing pan is unobstructed and free to move. Change the Averaging Level setting.
Scale does not display accurately.	Improper calibration.	Calibrate scale.
Cannot calibrate the scale.	Calibration locked.	Set LFT to OFF in the Menu Mode. Set LCAL to OFF in the Menu Mode. Set Security switch to the Off position.

TABLE 4-2. ERROR CODES.

Error Code	Cause	Remedy
Err 1 (Overload)	Load exceeds capacity.	Reduce load.
Err 2 (Underload)	Missing pan.	Install the pan and press the zero button.
Err 9 (Checksum error)	Configuration data checksum error.	Service required.
Err14 (Zero error)	Zero limit exceeded during power up.	Remove load from pan.
Err 21 (Checksum error)	Calibration data checksum error.	Check menu settings and recalibrate. If error persists, service is required.
CAL E (Calibration error)	Wrong calibration weight values used.	Calibrate using correct calibration weights.

4.4 Service Information

If the Troubleshooting section does not resolve or describe your problem, contact your authorized Ohaus Service Agent. For Service assistance in the United States and Canada, please call Ohaus Corporation toll free at (800) 526-0659 from 8 AM to 5 PM Eastern Time. An Ohaus Product Service Specialist will be available to help you.

4.5 Accessories

Description

Foot Switch

Part Number

71169633

5 TECHNICAL DATA

5.1 Drawings

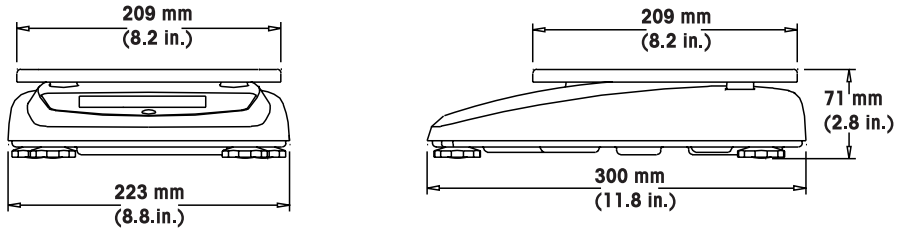


Figure 5-1. Scale Dimensions.

5.2 Specifications

The specifications apply under the following ambient conditions:

Temperature range:	-10 to 40 °C
Atmospheric humidity:	Maximum relative humidity 80% for temperatures up to 31 °C decreasing linearly to 50% relative humidity at 40 °C.
Overvoltage category:	II
Pollution degree:	2
Maximum altitude:	4000 m above sea level

TABLE 5-1. SPECIFICATIONS.

Model	FD3	FD6	FD15
Capacity x Readability (Max x d non-approved)	3 kg x 0.0005 kg 3000 g x 0.5 g 6 lb x 0.001 lb 96 oz x 0.02 oz 96 oz x 1/4 oz 6 lb 0 oz x 0.1 oz 6 lb 0 oz x 1/4 oz	6 kg x 0.001 kg 6000 g x 1 g 15 lb x 0.002 lb 240 oz x 0.05 oz 240 oz x 1/4 oz 15 lb 0 oz x 0.1 oz 15 lb 0 oz x 1/4oz	15 kg x 0.002 kg 15000 g x 2 g 30 lb x 0.005 lb 480 oz x 0.1 oz 480 oz x 1/4 oz 30 lb 0 oz x 0.1 oz 30 lb 0 oz x 1/4 oz
Maximum displayed resolution	1:6000	1:7500	1:7500
Capacity x Readability (Max x e approved)	3 kg x 0.001 kg 3000 g x 1 g 6 lb x 0.002 lb 96 oz x 0.05 oz 96 oz x 1/4 oz	6 kg x 0.002 kg 6000 g x 2 g 15 lb x 0.005 lb 240 oz x 0.1 oz 240 oz x 1/4 oz	15 kg x 0.005 kg 15000 g x 5 g 30 lb x 0.01 lb 480 oz x 0.2 oz 480 oz x 1/4 oz
Approved resolution	1:3000	1:3000	1:3000
Repeatability	0.001 kg	0.002 kg	0.005 kg
Linearity	±0.001 kg	±0.002 kg	±0.005 kg
Weighing units	g, kg, lb, oz (decimal/fractional), lb:oz (decimal/fractional oz)		
Weight display	5-digit 19 mm high digits, 7-segment back lit LCD display (with fractional ounce and battery status indicator)		
Keyboard	4 - button membrane switch		
Application modes	Weighing, Checkweighing, Percentage		
Checkweigh indication	3 LEDs (yellow, green, red) with configurable alert beeper		
Power	9-12 VDC 0.5-0.8A AC Adapter Internal rechargeable sealed lead-acid battery		
Typical battery life	120 hours with 15 hour recharge time		
Tare range	To capacity by subtraction		
Stabilization time	Within 2 seconds		
Auto zero tracking	Off, 0.5, 1 or 3 divisions		
Operating temperature range	-10 °C to 40 °C / 14 °F to 104 °F		
Storage temperature range	-40 °C to 70 °C / -40 °F to 158 °F		
Approved temperature range	0 °C to 40 °C / 32 °F to 104 °F		
Protection	IP43		
Construction	304 Stainless steel housing and platform		
Pan size (DxW)	209 x 209mm / 8.2 x 8.2 in.		
Scale dimensions (DxWxH)	300 x 223 x 71 mm / 9 x 12 x 2.8 in.		
Shipping dimensions (DxWxH)	400 x 320 x 185mm / 15.8 x 12.6 x 7.3in.		
Scale weight	3.6kg / 8.0lb		
Shipping weight	5kg / 11lb		

Note: Product specifications are subject to change without any obligation on the manufacturer.

TABLE 5-2. SPECIFICATIONS.

Model	FD3H	FD6H	FD15H
Capacity x Readability (Max x d non-approved)	3 kg x 0.0001 kg 3000 g x 0.1 g 6 lb x 0.0002 lb 96 oz x 0.005 oz 96 oz x 1/4 oz 6 lb 0 oz x 0.1 oz 6 lb 0 oz x 1/4 oz	6 kg x 0.0002 kg 6000 g x 0.2 g 15 lb x 0.001 lb 240 oz x 0.01 oz 240 oz x 1/4 oz 15 lb 0 oz x 0.1 oz 15 lb 0 oz x 1/4oz	15 kg x 0.001 kg 15000 g x 1 g 30 lb x 0.001 lb 480 oz x 0.02 oz 480 oz x 1/4 oz 30 lb 0 oz x 0.1 oz 30 lb 0 oz x 1/4 oz
Maximum displayed resolution	1:30000	1:30000	1:30000
Repeatability	0.0002 kg	0.0004 kg	0.002 kg
Linearity	±0.0002 kg	±0.0004 kg	±0.002 kg
Weighing units	g, kg, lb, oz (decimal/fractional), lb:oz (decimal/fractional oz)		
Weight display	5-digit 19 mm high digits, 7-segment back lit LCD display (with fractional ounce and battery status indicator)		
Keyboard	4 - button membrane switch		
Application modes	Weighing, Checkweighing, Percentage		
Checkweigh indication	3 LEDs (yellow, green, red) with configurable alert beeper		
Power	9-12 VDC 0.5-0.8 A AC Adapter Internal rechargeable sealed lead-acid battery		
Typical battery life	120 hours with 15 hour recharge time		
Tare range	To capacity by subtraction		
Stabilization time	Within 2 seconds		
Auto zero tracking	Off, 0.5, 1 or 3 divisions		
Operating temperature range	-10 °C to 40 °C / 14 °F to 104 °F		
Storage temperature range	-40 °C to 70 °C / -40 °F to 158 °F		
Approved temperature range	0 °C to 40 °C / 32 °F to 104 °F		
Protection	IP43		
Construction	304 Stainless steel housing and platform		
Pan size (DxW)	209 x 209mm / 8.2 x 8.2 in.		
Scale dimensions (DxWxH)	300 x 223 x 71 mm / 9 x 12 x 2.8 in.		
Shipping dimensions (DxWxH)	400 x 320 x 185mm / 15.8 x 12.6 x 7.3in.		
Scale weight	3.6kg / 8.0lb		
Shipping weight	5kg / 11lb		

Note: Product specifications are subject to change without any obligation on the manufacturer.

LIMITED WARRANTY

Ohaus products are warranted against defects in materials and workmanship from the date of delivery through the duration of the warranty period. During the warranty period Ohaus will repair, or, at its option, replace any component(s) that proves to be defective at no charge, provided that the product is returned, freight prepaid, to Ohaus.

This warranty does not apply if the product has been damaged by accident or misuse, exposed to radioactive or corrosive materials, has foreign material penetrating the inside of the product, or as a result of service or modification by other than Ohaus. In lieu of a properly returned warranty registration card, the warranty period shall begin on the date of shipment to the authorized dealer. No other express or implied warranty is given by Ohaus Corporation. Ohaus Corporation shall not be liable for any consequential damages.

As warranty legislation differs from state to state and country to country, please contact your local Ohaus dealer for further details.

TABLA DE CONTENIDOS

1 INTRODUCCIÓN	ES-3
1.1 Descripción del producto	ES-3
1.2 Características generales	ES-3
1.3 Precauciones de seguridad	ES-4
2 INSTALACIÓN	ES-5
2.1 Desempacado	ES-5
2.2 Instalación de componentes	ES-5
2.3 Selección de la ubicación	ES-5
2.4 Conexión de corriente eléctrica	ES-5
2.4.1 Corriente eléctrica	ES-5
2.4.2 Energía de batería	ES-6
2.5 Calibración inicial	ES-6
3 OPERACIÓN	ES-7
3.1 Introducción a partes y controles	ES-7
3.2 Funciones de control	ES-9
3.3 Operación básica	ES-9
3.3.1 Encendido	ES-9
3.3.2 Apagado	ES-9
3.3.3 Puesta en ceros	ES-9
3.3.4 Tara	ES-9
3.3.5 Muestra de valores bruto y tara	ES-10
3.3.6 Cambio de unidad de medición	ES-10
3.4 Menú	ES-10
3.4.1 Estructura del menú	ES-10
3.4.2 Navegación en el menú	ES-11
3.4.3 Cambio de configuraciones del menú	ES-11
3.5 Modalidades de aplicación	ES-11
3.5.1 Pesaje	ES-11
3.5.2 Comprobación del peso	ES-11
3.6 Configuraciones de los objetivos de comprobación del peso	ES-12
3.7 Configuraciones de la báscula	ES-13
3.7.1 Submenú de calibración	ES-13

3.7.2 Submenú de configuración	ES-15
3.7.3 Submenú de lectura	ES-16
3.7.4 Submenú de unidad	ES-17
3.7.5 Submenú de modalidad	ES-18
3.7.6 Submenú de bloqueo	ES-19
3.8 Configuraciones de autorización para comercio	ES-20
3.9 Sellado de la báscula	ES-20
4 MANTENIMIENTOES-21	
4.1 Calibración ES-21	
4.2 Limpieza ES-21	
4.3 Solución de problemas	ES-21
4.4 Información para mantenimiento	ES-22
4.5 Accesorios ES-22	
5 INFORMACIÓN TÉCNICA	ES-23
5.1 Dibujos	ES-23
5.2 Especificaciones	ES-23
Tablas	
Tabla 3-1 Partes y controles	ES-8
Tabla 3-2 Estructura del menú	ES-10
Tabla 3-3 Puntos de calibración	ES-13
Tabla 4-1 Solución de problemas	ES-21
Tabla 4-2 Códigos de error	ES-22
Tabla 5-1 Especificaciones	ES-24
Tabla 5-2 Especificaciones	ES-25
Figuras	
Figura 2-1 Instalación	ES-7
Figura 2-2 Indicador de nivelación	ES-7
Figura 2-3 Parte inferior de la báscula	ES-7
Figura 3-1 Partes	ES-7
Figura 3-2 Panel de control	ES-7
Figura 3-3 Pantalla	ES-8
Figura 3-4 Configuraciones del interruptor de seguridad	ES-20
Figura 3-5 Métodos de sellado	ES-20
Figura 5-1 Dimensiones de la báscula	ES-23

1 INTRODUCCIÓN

Este manual contiene instrucciones de instalación, operación y mantenimiento para la báscula Serie FD. Favor de leer este manual completamente antes de instalar y operar la báscula.

1.1 Descripción del producto

La Serie FD es una báscula compacta, resistente y fácil de limpiar, diseñada especialmente para ambientes de alta higiene y para aumentar la productividad. Con su construcción de acero inoxidable, tamaño compacto y aprobaciones de seguridad para alimentos, esta báscula es ideal para usarse en áreas sanitarias y de preparación de alimentos tales como cocinas, panaderías, restaurantes e instalaciones de empaque y procesamiento. Su funcionamiento con batería y una pantalla LCD con iluminación de fondo hacen de ella una báscula portátil que puede ser transportada fácilmente a varios lugares y usada en un gran número de condiciones de iluminación. Su rápida velocidad de cambio en la pantalla, operación sencilla con cuatro botones y modo configurable de comprobación del peso, hacen de la Serie FD una báscula simple pero flexible para aplicaciones de pesaje general, pesaje de porciones y clasificación. Esta báscula, diseñada para pesaje de precisión, proporcionará años de servicio si se le da el cuidado apropiado.

1.2 Características generales

- Modelos de capacidades(FDxx): 3kg x .5g / 6lb x .001lb, 6kg x 1g / 15lb x .002lb, 15kg x 2g / 30 lb x .005lb
- Resolución máxima de pantalla(FDxx) 1:6000 a 7500
- Resolución de aprobación de tipo(FDxx) 1:3000
- Modelos de capacidades(FDxxH): 3kg x .1g / 6lb x .0002lb, 6kg x 0.2g / 15lb x .001lb, 15kg x 1g / 30 lb x .001lb
- Resolución máxima de pantalla(FDxxH) 1:30000
- Certificaciones de Seguridad para Alimentos: NSF, USDA/AMS
- Gabinete de acero inoxidable de bajo perfil
- Bandeja de pesaje de acero inoxidable: 209 x 209 mm (8.2" x 8.2")
- Pantalla LCD con iluminación de fondo: 5 dígitos, 7 segmentos y altura de dígitos de 19mm (.75")
- Múltiples unidades de pesaje: kg, g, lb, oz (decimal o fraccional), lb:oz (oz decimal o fraccional)
- Velocidad de actualización de la pantalla: 2 segundos
- Pantalla LED de 3 colores con indicaciones de comprobación del peso audibles y configurables
- Tablero de control de cuatro botones, incluyendo el botón exclusivo para tara
- Indicador de nivel integrado y pies de nivelación de caucho antideslizantes
- Batería recargable de plomo-ácido integrada: 120 horas de funcionamiento y 15 horas para cargarse
- Indicador de estado de la batería con función de desactivación automática para ahorro de energía
- Función para peso bruto, neto y tara
- Función de localización automática de cero
- Función de tara automática
- Filtrado digital aumentado
- Conexión de interruptor accesorio en pedal para función de tara remota

1.3 Precauciones de seguridad



Para un funcionamiento seguro y confiable, favor de observar las siguientes medidas de seguridad:

- Verificar que la entrada de voltaje impresa en la etiqueta del adaptador de corriente y el tipo de cable concuerden con la corriente eléctrica disponible en el lugar.
- Confirmar que el cable eléctrico no represente un obstáculo potencial o un riesgo para tropezarse.
- Utilizar solamente accesorios y equipos periféricos aprobados.
- Operar la báscula solamente en las condiciones ambientales especificadas en estas instrucciones.
- Desconectar la báscula de la corriente eléctrica para limpiarla.
- No operar la báscula en ambientes riesgosos o inestables.
- No sumergir la báscula en agua u otros líquidos.
- Evitar salpicar la báscula con agua u otros líquidos.
- No dejar caer cargas pesadas sobre la plataforma.
- El mantenimiento sólo puede ser dado por personal autorizado.

2 INSTALACIÓN

2.1 Desempacado

Desempacar y verificar que reciba los siguientes componentes:

- Báscula FD
- Bandeja de pesaje
- Adaptador de corriente
- Manual de instrucciones
- Tarjeta de garantía
- Juego de sellos de pesos y medidas

Guardar el material de empaque. Empacar la báscula en el empaque original para asegurar su almacenamiento o transporte seguro.

2.2 Instalación de componentes

Coloque la bandeja de pesaje fijamente sobre las cuatro almohadillas para carga en la báscula. Si usa el interruptor opcional de pedal, conecte el enchufe en la entrada correcta que está en la parte inferior de la báscula (ver Figura 2-3).

2.3 Selección de la ubicación

Operar la báscula en una superficie firme y nivelada. Evite lugares en donde haya cambios rápidos de temperatura o polvo excesivo, corrientes de aire, vibraciones, campos electromagnéticos o calor.

Ajuste los pies de nivelación de manera que la burbuja quede centrada en el círculo del indicador de nivel.

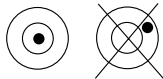


Figura 2-2. Indicador de nivelación.

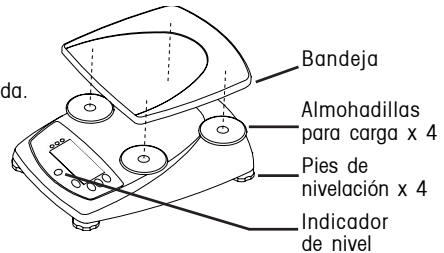


Figura 2-1. Instalación de los componentes de la báscula.

NOTA: La báscula debe ser nivelada cada vez que se cambia de lugar.

2.4 Conexión de corriente eléctrica

2.4.1 Corriente alterna

Verificar que el voltaje impreso en la etiqueta de la báscula concuerde con el voltaje de la corriente eléctrica del lugar. Si no concuerda, NO conectar la báscula a la corriente eléctrica. Para asistencia, consultar a un distribuidor de OHAUS.

Conecte el adaptador al enchufe en la pared. Conecte el enchufe en la entrada que está en la parte inferior de la báscula.

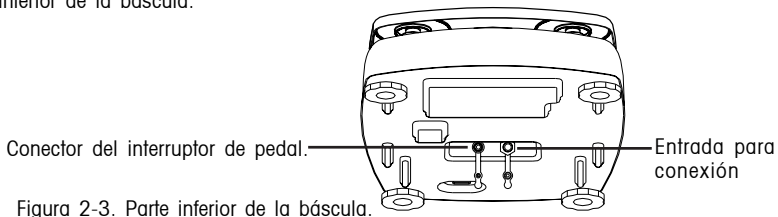


Figura 2-3. Parte inferior de la báscula.



Antes de usar la báscula por primera vez, la batería recargable interna debe ser cargada durante 15 horas y la báscula puede operarse mientras carga la batería. La batería está protegida contra sobrecarga y la báscula puede permanecer conectada a la corriente eléctrica.

Enchufar el adaptador de corriente en la entrada marcada "Power In" que se encuentra en la parte inferior de la báscula y dejar que cargue. Mientras la batería se carga, los segmentos en el símbolo de batería se iluminan alternadamente. Cuando la batería está completamente cargada, el símbolo de batería desaparece.

2.4.2 Energía de batería

La báscula puede funcionar con la batería cuando no hay corriente eléctrica disponible. La báscula cambia automáticamente para funcionar con la batería en caso de falla de la corriente eléctrica o si se desconecta el cable eléctrico. La batería con carga completa puede operar la báscula hasta 120 horas (con la luz de fondo de la báscula apagada) independientemente de la corriente eléctrica.

Durante la operación de la misma, el símbolo de batería se ilumina para mostrar el estado de carga de la batería (1 segmento = 25% de la capacidad). Cuando el símbolo destella significa que la batería necesita cargarse. La báscula se apaga automáticamente cuando la batería está completamente descargada.



PRECAUCIÓN

SÓLO EL PROVEEDOR DE SERVICIO AUTORIZADO OHAUS DEBE REEMPLAZAR LA BATERÍA.

EXISTE RIESGO DE EXPLOSIÓN SI SE REEMPLAZA CON OTRO TIPO DE BATERÍA O SI SE CONECTA EN FORMA INCORRECTA.



Deseche la batería de acuerdo con las leyes y reglamentos locales.

2.5 Calibración inicial

Al instalar por primera vez la batería se debe llevar a cabo una calibración de intervalo de medida (SPAN) para asegurar resultados de pesaje precisos. Antes de hacer una calibración de intervalo de medida, asegurarse de tener los pesos correctos para calibración. Consultar la Sección 3.7.1.

3 OPERACIÓN

3.1 Introducción a partes y controles

Identificar las partes y controles usando la numeración de la Tabla 1.

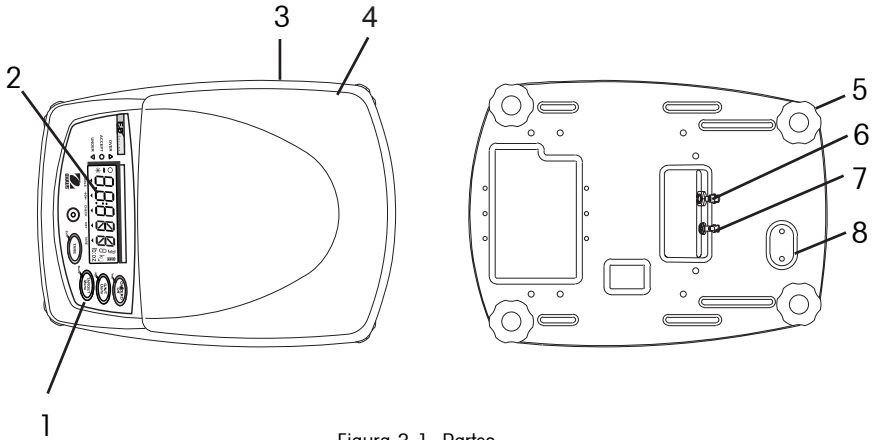


Figura 3-1. Partes.

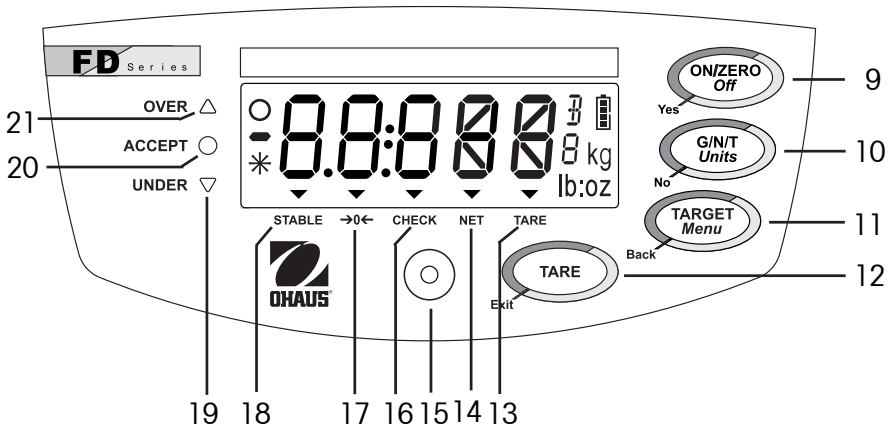


Figura 3-2. Tablero de control.

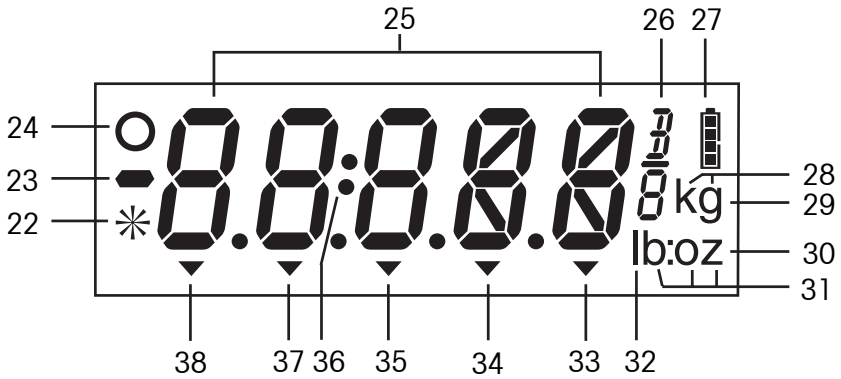


Figura 3-3. Pantalla.





TABLA 3-1. PARTES Y CONTROLES.

Número	Descripción
1	Botones de control
2	Pantalla
3	Etiqueta
4	Bandeja de pesaje
5	Pies de nivelación ajustables
6	Adaptador de corriente eléctrica
7	Conexión del interruptor opcional de pedal
8	Tapa de seguridad
9	Botón de encendido y cero
10	Botón de peso bruto/neto/tara y unidad
11	Botón de objetivo/menú
12	Botón de tara
13	Indicador de tara
14	Indicador de peso neto
15	Indicador de nivelación
16	Indicador de modalidad de comprobación del peso
17	Indicador de centro de cero
18	Indicador de estabilidad
19	LED amarilla de lectura por debajo

Número	Descripción
20	LED verde de lectura aceptable
21	LED roja de lectura por encima
22	No usado
23	Signo menos
24	No usado
25	Pantalla de 7 segmentos
26	Símbolo de onza fraccional
27	Símbolo de carga de batería
28	Símbolo de unidad de kilogramo
29	Símbolo de unidad de gramo
30	Símbolo de unidad de onza
31	Símbolo de unidad de libra: onza
32	Símbolo de unidad de libra
33	Indicador de tara
34	Indicador de peso neto
35	Indicador de modalidad de comprobación del peso
36	Separador libra: onza
37	Indicador de centro de cero
38	Indicador de estabilidad

3.2 Funciones de control

Se usan cuatro botones para operar la báscula.

Botón				
Función primaria (oprimido corto)	ON / ZERO <ul style="list-style-type: none"> • Si la báscula está apagada, la enciende • Si la báscula está encendida, pone cero 	G/N/T Muestra momentáneamente valores bruto, neto y tara	TARGET Inicia la modalidad de configuración de objetivo	TARE <ul style="list-style-type: none"> • Establece la tara • Borra la tara si la bandeja está vacía
Función secundaria (oprimido largo)	Off Si la báscula está encendida, la apaga	Units Cambia la unidad de pesaje	Menu Activa la modalidad de menú	Ninguna
Función de de menú	Yes Acepta la configuración presente y avanza a la siguiente opción del menú	No Rechaza la configuración presente u opción del menú y avanza a la siguiente opción disponible	Back Regresa a la opción previa del menú	Exit <ul style="list-style-type: none"> • Sale inmediatamente de la modalidad de menú • Aborta la calibración en progreso
Función de configuración de objetivo	Cambia al siguiente dígito	Incrementa el valor del siguiente dígito	Acepta el valor presente mostrado	Cambia el signo (+ / -) del valor mostrado

3.3 Funcionamiento básico

3.3.1 Encendido

Con la báscula apagada, oprimir el botón **ON/ZERO Off**. La báscula hace una prueba de pantalla y luego muestra cero.

3.3.2 Apagado

Con la báscula encendida, oprimir y soltar el botón **ON/ZERO Off** hasta que se muestre OFF.

3.3.3 Puesta en ceros

Retirar la carga de la bandeja y oprimir el botón **ON/ZERO Off** para configurar la pantalla en cero. El indicador centro de cero se enciende cuando la medición es $\pm 1/4$ d de la configuración cero.

3.3.4 Tara

Tara semiautomática (botón Tare)

Para memorizar o cambiar el valor de tara, colocar un recipiente vacío en la bandeja y oprimir el botón **TARE**. Se mostrarán los indicadores de peso neto (Net weight) y neto (NET).

Para borrar el valor de tara, retire el recipiente de la bandeja y presione el botón **TARE**. El indicador NET se apaga y aparece el peso bruto.

Tara automática (consultar la Sección 3.7.3)

La tara automática es una función práctica para tarar automáticamente el peso inicial (como el de un recipiente vacío) colocado sobre la bandeja vacía, sin tener que oprimir el botón **TARE**. El valor de la tara se borra automáticamente cuando se retira completamente el peso sobre la bandeja.

Tara remota (interruptor de pedal)

Tarar con el interruptor opcional para pie es equivalente a presionar el botón **TARE**.

3.3.5 Muestra de los valores bruto, neto y tara

Cuando se ha introducido una tara, al oprimir sucesivamente el botón **G/N/T** se muestra Tara (se enciende el indicador de TARA), así como los pesos Bruto y Neto (se enciende el indicador NETO). Después de unos segundos la báscula vuelve a mostrar el peso NETO.

3.3.6 Cambio de unidad de medición

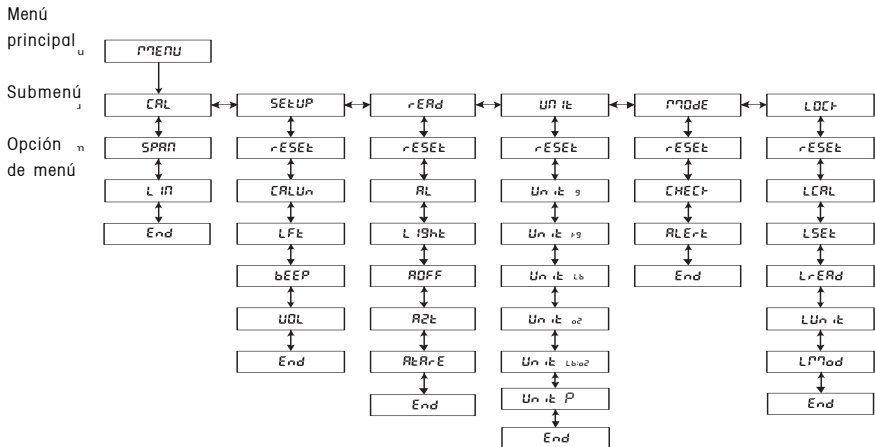
Mantener presionado el botón **Units** hasta que se muestre la unidad deseada. Si no aparece una de las unidades disponibles, habilitarla como se describe en la Sección 3.7.4.

3.4 Menú

3.4.1 Estructura del menú

La estructura de la Serie FD consta de tres niveles: principal, submenú y opción de menú. El menú principal contiene submenús y cada submenú contiene varias opciones de menú. Cada opción de menú contiene dos o más configuraciones.

TABLA 3-2. ESTRUCTURA DEL MENÚ.



Nota: El elemento del menú LFT y el submenú LOCK no aparecerán en los modelos FDxxH

3.4.2 Navegación en el menú

Usar los cuatro botones marcados **Yes**, **No**, **Back** y **Exit** para navegar a través de los menús (consultar la Sección 3.2).

- **Yes** - Acepta la opción de menú, el submenú y la configuración mostrada.
- **No** - Pasa al siguiente submenú u opción de menú y cambia la configuración mostrada.
- **Back** - Regresa al submenú u opción de menú previa.
- **Exit** - Sale inmediatamente de la modalidad de menú.

3.4.3 Cambio de configuraciones del menú

Entrar al menú oprimiendo el botón **Menu** hasta que aparezca Menu. Al soltar el botón, se muestra el primer submenú disponible.

- Navegar hasta el submenú deseado usando el botón **No**.
- Entrar al submenú usando el botón **Yes**.
- Navegar hasta la opción de menú deseada usando el botón **No**.
- Entrar a la opción de menú deseada usando el botón **Yes**.
- Cambiar la configuración usando el botón **No** o aceptarla usando el botón **Yes**.
- Continuar la navegación usando los botones **Yes**, **No** y **Back** o regresar a pesaje usando el botón **Exit**.

3.5 Modalidades de aplicación

Hay dos modalidades de aplicación para la Serie FD: peso y comprobación del peso. Para habilitar la modalidad de comprobación del peso, se debe activar Checkweigh en el menú Mode (consultar la Sección 3.7.5).

3.5.1 Pesaje

Determina el peso de un artículo y la unidad de medición seleccionada. La Serie FD viene habilitada con kilogramos (Kg.) y libras (lb). Para habilitar otras unidades de medición, éstas se deben activar en el menú Unit (consultar la Sección 3.7.4).

3.5.2 Comprobación del peso

Utilice esta modalidad para comparar el peso de un artículo con los límites objetivo por debajo y por encima. Cuando la modalidad de verificación del peso está habilitada, el indicador CHECK se enciende.

Para establecer los límites objetivo, consultar la Sección 3.6, Configuraciones de los objetivos de comprobación del peso.

Colocar la muestra en la bandeja de pesaje. Si el peso de la muestra está por debajo del rango del peso objetivo, la pantalla LED amarilla se ilumina. Si el peso de la muestra está dentro del rango del peso objetivo, la pantalla LED verde se ilumina. Si el peso de la muestra está por debajo del rango del peso objetivo, la pantalla LED roja se ilumina. La indicación LED está complementada con una función de alarma audible (consultar la Sección 3.7.5).

Comprobación normal del peso

Configurar los dos objetivos como valores positivos, en donde el peso más ligero aceptable es ingresado como el límite por debajo (under) del objetivo y el peso más pesado aceptable es ingresado como el límite por encima (over) del objetivo. Los artículos colocados en la bandeja se compararán con los objetivos.

Comprobación negativa del peso

En la comprobación "negativa" del peso, la parte de un artículo subsecuentemente retirada de la bandeja es comparada con los límites de los objetivos. Este método puede ser preferido en aplicaciones de pesaje de porciones.

- Configurar los dos objetivos como valores negativos, en donde el peso más ligero aceptable es ingresado como el límite por debajo (Under) del objetivo y el peso más pesado aceptable es ingresado como el límite por encima (Over) del objetivo.
- Colocar una cierta cantidad de artículos en la bandeja.
- Tarar los artículos.
- Retirar una porción de artículos de la bandeja.
- La cantidad retirada se comparará con los objetivos.

Comprobación "cero" del peso

En la comprobación "cero" del peso, los resultados mostrarán la desviación del peso de la muestra de una referencia o peso ideal. Este enfoque puede ser más preferido para aplicaciones de selección o clasificación.

- Configurar los objetivos utilizando un valor negativo (tolerancia negativa) para el límite por debajo y un valor positivo (tolerancia positiva) para el límite por encima.
- Colocar el peso de referencia en la bandeja.
- Tarar el peso de referencia y retirarlo de la bandeja.
- Colocar el artículo en la bandeja para compararla con el peso de referencia.
- La pantalla mostrará un valor negativo, positivo, o "0" si el peso de la muestra es menor, mayor o igual al peso de referencia, respectivamente.

3.6 Configuraciones de los objetivos de comprobación del peso

Para configurar los límites objetivo, presionar el botón **TARGET**. El valor del límite por debajo del objetivo se mostrará primero, con el dígito del extremo izquierdo destellando.

Nota: La báscula debe estar en modalidad de comprobación del peso para poder ingresar o modificar valores objetivo.

- Para cambiar el límite que está por debajo del objetivo, oprimir el botón **No** para incrementar el dígito destellando, el botón **Yes** para cambiar al siguiente dígito, y el botón **Exit** para cambiar el signo.
- Oprimir el botón de **TARA** para cambiar la pantalla de valor positivo a negativo
- Para aceptar el límite que está por debajo del objetivo, presionar el botón **TARGET**.
- Enseguida se mostrará el valor del límite que está por encima del objetivo, con el dígito del extremo izquierdo destellando.
- Repetir el procedimiento arriba mencionado para el límite que está por encima del objetivo.
- Cuando se haya configurado el límite que está por encima del objetivo, oprimir el botón **TARGET** para memorizar las configuraciones y comenzar la comprobación del peso.

3.7 Configuraciones de la báscula

Entrar a la modalidad de menú. Proceder a una opción de menú y usar los botones **Yes** y **No** para ver y seleccionar las configuraciones existentes de la báscula. Una vez que se hayan hecho los cambios deseados, oprimir **Exit** para regresar a pesaje. Consultar la Sección 3.4 para mayor información sobre cómo ingresar y navegar por los menús.

3.7.1 Submenú de calibración

Nota: La calibración no está disponible cuando la báscula ha sido configurada como autorizada para comercio (LFT configurada en ON en el submenú Setup, consultar la Sección 3.7.2).

Tipos de calibración: la calibración de la Serie FD se puede ajustar en dos formas, intervalo de medida (span) y linealidad (linearity). La calibración de intervalo de medida utiliza dos puntos de calibración para ajustar la sensibilidad de la báscula. La calibración de linealidad utiliza tres puntos de calibración para corregir los resultados de pesaje no lineales.

Pesos de calibración: Antes de iniciar la calibración, asegurarse de tener los pesos de calibración necesarios. Los puntos de calibración específicos para cada modelo se encuentran en la tabla siguiente.

TABLA 3-3. PUNTOS DE CALIBRACIÓN.

Modelo	Unidad de calibración	Puntos de calibración de intervalo de medida	Puntos de calibración de linealidad
FD3/ FD3H	kg lb	1, 2 o 3 kg 2, 5 o 6 lb	1 o 2 y 3 kg 2 o 4 y 6 lb
FD6/ FD6H	kg lb	2, 5 o 6 kg 5, 10 o 15 lb	2 o 4 y 6 kg 5 o 10 y 15 lb
FD15/ FD15H	kg lb	5, 10 o 15 kg 10, 20 o 30 lb	5 o 10 y 15 kg 10 o 20 y 30 lb

Notas:

1. Los puntos de calibración de fábrica se muestran en negritas.
2. Las unidades de calibración kg o lb se seleccionan en el submenú Setup (Sección 3.7.2.)
3. Se requieren pesos ASTM Clase 4 u OIML Clase F2 para la calibración.

Procedimiento de calibración de intervalo de medida

- Cuando aparece CAL , oprimir **Yes** para ingresar al submenú Calibration.
- Cuando aparece Span, oprimir **Yes** para iniciar la calibración de intervalo de medida.
- Retirar la bandeja si se pide que se haga, luego oprimir **Yes**.
- La pantalla muestra "--C--", seguida del valor del peso para calibración de intervalo de medida.
- Si se desea, oprimir **No** para cambiar a un valor alterno de peso para calibración de intervalo de medida.
- Colocar el peso indicado de calibración en la báscula y oprimir **Yes**.
- La pantalla mostrará "--C--", después "done"
- (terminado) y regresará a pesaje. Retirar el peso de calibración.

Nota: Se puede cancelar el procedimiento de calibración en cualquier momento presionando el botón **Exit** o apagando la báscula.

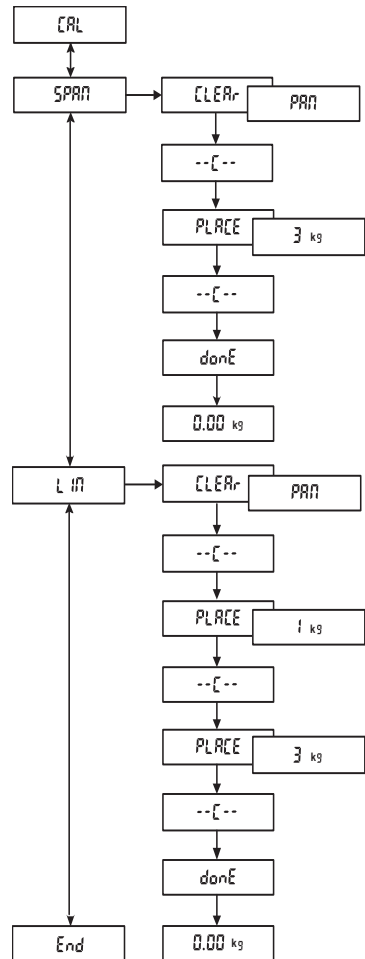
Procedimiento de calibración de linealidad

- Cuando aparece LIN, oprimir **Yes** para iniciar la calibración de linealidad.
- Retirar la bandeja si se pide que se haga, luego oprimir **Yes**.
- La pantalla muestra "--C--", seguida del primer valor del peso de calibración.
- Si se desea, oprimir **No** para cambiar a un primer valor alterno de peso de calibración.
- Colocar el peso de calibración indicado en la báscula y oprimir **Yes**.
- La pantalla muestra "--C--", seguida del segundo valor del peso de calibración.
- Colocar el peso de calibración indicado en la báscula y oprimir **Yes**.
- La pantalla mostrará "--C--", después "done"
- (terminado) y regresará a pesaje. Retirar el peso de calibración.

Nota: Se puede cancelar el procedimiento de calibración en cualquier momento presionando el botón **Exit** o apagando la báscula.

Finalizar

- Oprimir **Yes** para salir de este submenú e ir al siguiente.
- Oprimir **No** para regresar a la primera opción del menú en este submenú.



3.7.2 Submenú de configuración (Setup)

Oprimir **Yes** para ingresar al submenú Setup.

Reset (restaurar)

Oprimir **Yes** para ingresar al menú Reset.

- **No** - no cambia las configuraciones del submenú Setup.
- **Yes** - restaura el submenú Setup a la configuración de fábrica (texto en negritas subrayado en esta sección).

Calibration Unit (unidad de calibración)

Oprimir **Yes** para ingresar al menú Calibration Unit.

- **kg** - calibrar usando pesos en kilogramos.
- **lb** - calibrar usando pesos en libras.

Legal for Trade (autorizada para comercio)

Oprimir **Yes** para ingresar al menú LFT.

- **Off** - configura la báscula para no funcionar como autorizada para comercio.
- **On** - configura la báscula para funcionar como autorizada para comercio.

Nota: Ver la Sección 3.8 para información relacionada con el funcionamiento de la báscula autorizada para comercio.

Beeper (tono)

Oprimir **Yes** para ingresar al menú Beeper.

- **Off** - el tono no se escucha cuando se oprime este botón.
- **On** - el tono se escucha cuando se oprime este botón.

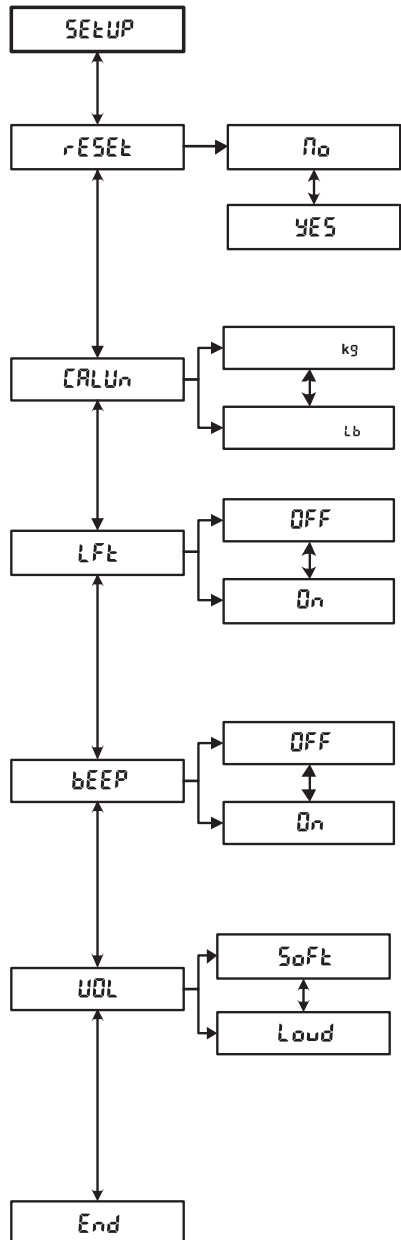
Volume (volumen)

Oprimir **Yes** para ingresar al menú Beeper Volume.

- **Soft** - el volumen del tono está bajo.
- **Loud** - el volumen del tono está alto.

End (finalizar)

- Oprimir **Yes** para salir de este submenú e ir al siguiente.
- Oprimir **No** para regresar a la primera opción del menú en este submenú.



3.7.4 Submenú de unidad (Unit)

Oprimir **Yes** para ingresar al submenú Unit.

Reset (restaurar)

Oprimir **Yes** para ingresar al menú Reset.

- **No** - no cambia las configuraciones del submenú Unit.
- **Yes** - restaura el submenú Unit a las configuraciones de fábrica (texto en negritas subrayado en esta sección).

Gram unit (unidad de gramo)

Oprimir **Yes** para ingresar al menú Gram unit.

- **Off** - desactiva gramos.
- **On** - activa gramos.

Kilogram unit (unidad de kilogramo)

Oprimir **Yes** para ingresar al menú Kilogram unit.

- **Off** - desactiva kilogramos.
- **On** - activa kilogramos.

Pound unit (unidad de libra)

Oprimir **Yes** para ingresar al menú Pound unit.

- **Off** - desactiva libras.
- **On** - activa libras.

Ounce unit (unidad de onza)

Oprimir **Yes** para ingresar al menú Ounce unit.

- **Off** - desactiva onzas.
- **dEC** - activa onzas decimales.

- **FrAC** - activa onzas fraccionales.

Pound:Ounce unit (unidad libra:onza)

Oprimir **Yes** para ingresar al menú Pound Ounce.

- **Off** - desactiva libra:onzas.
- **dEC** - activa libra onzas decimales.
- **FrAC** - activa libra onzas fraccionales.

Unidad P* (Porcentaje)

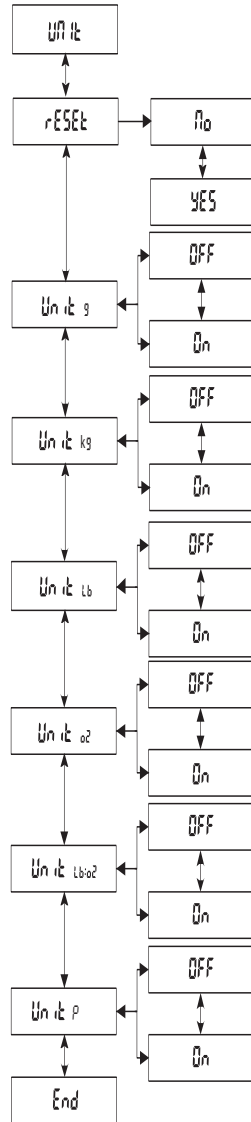
Presione **Yes** para ingresar al menú de unidad P.

- **Off** - deshabilitar P
- **On** - habilitar P

End (finalizar)

- Oprimir **Yes** para salir de este submenú e ir al siguiente.
- Oprimir **No** para regresar a la primera opción del menú en este submenú.

*Use P para medir el peso de una muestra como un porcentaje del peso de referencia. Cuando se selecciona P, la pantalla mostrará S.rEF y P. Presione "No" para usar el peso de referencia que está en la memoria o "Yes" para establecer una nueva referencia. Después de colocar el material de referencia, presione "Yes" para establecer la referencia como el 100%.weight.Reemplace el material de referencia con una nueva muestra para leer el porcentaje de la muestra comparado con el peso de referencia.



3.7.6 Submenú de bloqueo (Lockout)

Oprimir **Yes** para ingresar al submenú Lockout.

Reset (restaurar)

Oprimir **Yes** para ingresar al submenú Reset.

- **No** - no cambia las configuraciones del submenú Lockout.
- **Yes** - restaura el submenú Lockout a las configuraciones de fábrica (texto en negritas subrayado en esta sección).

Lock Calibration (bloquear calibración)

Oprimir **Yes** para ingresar al submenú Lock Calibration.

- **Off** - activa cambios al submenú Calibration.
- **On** - bloquear ajustes del submenú de Calibración.

Lock Setup (bloquear configuración)

Oprimir **Yes** para ingresar al submenú Lock Setup.

- **Off** - activa cambios al submenú Setup.
- **On** - bloquear ajustes del submenú de Restablecer.

Lock Readout (bloquear lectura)

Oprimir **Yes** para ingresar al submenú Lock Readout.

- **Off** - activa cambios al submenú Readout.
- **On** - bloquear ajustes del submenú de Lectura.

Lock Unit (bloquear unidad)

Oprimir **Yes** para ingresar al submenú Lock Unit.

- **Off** - activa cambios al submenú Unit.
- **On** - bloquear ajustes del submenú de Unidad.

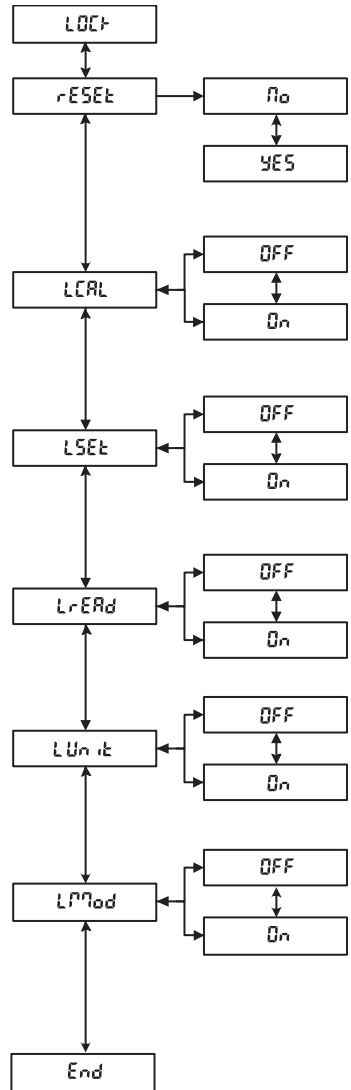
Lock Mode (bloquear modalidad)

Oprimir **Yes** para ingresar al submenú Lock Mode.

- **Off** - activa cambios al submenú Mode.
- **On** - bloquear ajustes del submenú de Modalidad.

End (finalizar)

- Oprimir **Yes** para salir de este submenú e ir al siguiente.
- Oprimir **No** para regresar a la primera opción del menú en este submenú.



3.8 Configuraciones de autorización para comercio

La Serie FD está diseñada para cumplir con los reglamentos sobre pesas y medidas de la OIML, EEC, NTEP y Measurement Canada. Estas aprobaciones pueden estar pendientes; comunicarse con Ohaus para mayores detalles acerca de su disponibilidad.

Nota: Consultar su oficina local de pesos y medidas para conocer los reglamentos antes de usar la báscula como autorizada para comercio (LFT).

Cuando la configuración de la opción de menú LFT está habilitada, se aplican las siguientes condiciones:

- El menú de calibración (CAL) está oculto.
- La opción del menú bloquear calibración (LCA) está oculta.
- La opción del menú localización automática de cero (AZI) está configurada en 0.5 d.
- La unidad lb:oz, p está deshabilitada.

Cuando el representante de pesos y medidas haya aprobado la báscula para usarse como autorizada para comercio, ésta se debe sellar usando uno de los métodos descritos en la Sección 3.9.

3.9 Sellado de la báscula

Cuando se use conjuntamente con el menú Lockout y el interruptor de seguridad, la báscula puede ser sellada para prevenir o detectar cambios no autorizados en sus configuraciones. Para las aplicaciones en la modalidad de autorizada para comercio, configurar la opción del menú LFT en ON, configurar el interruptor de seguridad en la posición ON, y sellar la báscula para evitar el acceso a los parámetros de medición. Sellar la báscula de acuerdo con los reglamentos locales para pesos y medidas.

Si se cambia el interruptor a la posición de encendido (ON) en los modelos FDxxH, la configuración de los elementos del menú queda bloqueada en su estado actual.

Para volver a tener acceso a las configuraciones de la báscula, romper el sello y configurar el interruptor de seguridad en la posición OFF.

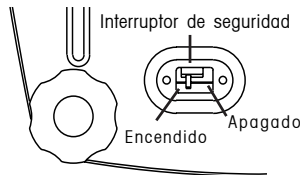
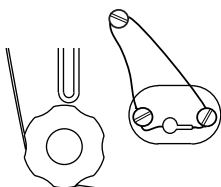


Figura 3-4. Configuración del interruptor de seguridad.

Sello de alambre

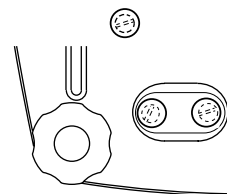
Refire los espaciadores que están debajo de los tornillos de cruz. Introduzca el cable por los agujeros en cruz.



Sello de alambre

Sello de papel

Coloque los sellos de papel sobre el tornillo y espaciador de sello.



Sello de papel

Figura 3-5. Métodos de sellado.

4 MANTENIMIENTO

4.1 Calibración

Verificar la calibración periódicamente colocando un peso ASTM Clase 4 o un peso OIML Clase F2 en la báscula y comparar la lectura con las especificaciones. Consultar la Sección 3.7.1 para el procedimiento de calibración.

4.2 Limpieza

- Desconectar la báscula de la corriente eléctrica para limpiarla.
- La caja y bandeja deben mantenerse limpias y libres de material extraño.
- Limpiar los componentes externos de la báscula con una tela suave humedecida con agua y detergente suave (no utilizar ácidos, álcalis o solventes fuertes).
- Los pies de nivelación y almohadillas para carga deben desatornillarse y desmontarse para limpieza.
- No permitir que ingresen líquidos a la báscula.
- Retirar y limpiar la bandeja separadamente de la báscula.
- La bandeja puede lavarse en máquina lavaplatos y puede colocarse con cargas normales de lavado. No lavar ninguna de las otras partes en máquina lavaplatos.

4.3 Solución de problemas

La siguiente tabla describe problemas comunes, causas probables y soluciones. Si el problema persiste, comuníquese con Ohaus o su distribuidor autorizado.

TABLA 4-1. SOLUCIÓN DE PROBLEMAS.

Síntoma	Causas probables	Solución
La báscula no enciende.	Cable de corriente no conectado. Batería descargada.	Conecte la báscula a la corriente. Conecte la báscula a la corriente y cargue la batería.
El indicador de batería está bajo.	Batería descargada.	Conecte la báscula a la corriente y cargue la batería.
La batería no carga completamente.	Batería defectuosa.	Pida a un distribuidor autorizado Ohaus que reemplace la batería.
La lectura del peso no se estabiliza.	Ambiente inestable. Interferencia debajo de la bandeja.	Provea un ambiente estable. Asegúrese de que la bandeja de pesaje no esté obstruida y se pueda mover. Cambie la configuración de nivel promedio.
La pantalla no muestra lecturas precisas.	Calibración incorrecta.	Calibrar la báscula.
No se puede calibrar la báscula.	Calibración bloqueada.	Configurar LFT en OFF usando el menú. Configurar LCAL en OFF usando el menú. Configurar el interruptor de seguridad en la posición Off.

TABLA 4-2. CÓDIGOS DE ERROR.

Código de error	Causa	Solución
Err 1 (sobrecarga)	La carga excede la capacidad.	Reducir la carga.
Err 2 (carga deficiente)	Falta la bandeja.	Instalar la bandeja y presionar el botón cero.
Err 9 (error de suma de control)	Error de suma de control de datos de configuración.	Requiere mantenimiento.
Err14 (error de cero)	Se excedió el límite de cero durante el encendido.	Retirar la carga de la bandeja.
Err 21 (error de suma de control)	Error de suma de control de datos de calibración.	Verificar la configuración de menú y recalibrar. Si persiste el error, requiere servicio.
CAL E (error de calibración)	Se usaron valores de peso de calibración erróneos.	Calibrar usando pesos correctos de calibración.

4.4 Información para mantenimiento

Si la sección de solución de problemas no resuelve o describe el problema, comuníquese con su agente de servicio autorizado Ohaus. Para asistencia de servicio en Estados Unidos y Canadá, favor de llamar al número gratuito de Ohaus Corporation, (800) 526-0659 de 8 AM a 5 PM, Hora de Este. Un representante de Servicio Ohaus estará disponible para ayudarle.

4.5 Accesorios

Descripción

Interruptor para pedal

Número de parte

71169633

5 INFORMACIÓN TÉCNICA

5.1 Dibujos

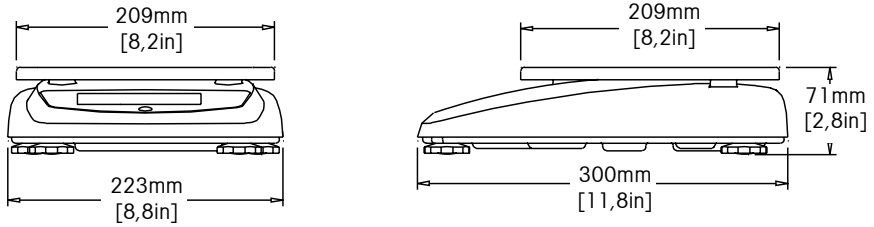


Figura 5-1. Dimensiones de la báscula.

5.2 Especificaciones

Las especificaciones se aplican en las siguientes condiciones ambientales:

Rango de temperatura: -10 a 40 °C

Humedad atmosférica: Humedad máxima relativa del 80% para temperaturas de hasta 31 °C disminuyendo la linealidad al 50% de humedad relativa a 40 °C.

Categoría de sobretensión: II

Grado de contaminación: 2

Máxima altitud: 4000 m sobre el nivel del mar

TABLA 5-1. ESPECIFICACIONES.

Modelo	FD3	FD6	FD15
Capacidad x legibilidad (Máx x d no aprobada)	3 kg x 0,0005 kg 3000 g x 0,5 g 6 lb x 0,001 lb 96 oz x 0,02 oz 96 oz x 1/4 oz 6 lb 0 oz x 0,1 oz 6 lb 0 oz x 1/4 oz	6 kg x 0,001 kg 6000 g x 1 g 15 lb x 0,002 lb 240 oz x 0,05 oz 240 oz x 1/4 oz 15 lb 0 oz x 0,1 oz 15 lb 0 oz x 1/4oz	15 kg x 0,002 kg 15000 g x 2 g 30 lb x 0,005 lb 480 oz x 0,1 oz 480 oz x 1/4 oz 30 lb 0 oz x 0,1 oz 30 lb 0 oz x 1/4 oz
Resolución máxima de pantalla	1:6000	1:7500	1:7500
Capacidad x legibilidad (Máx x e aprobada)	3 kg x 0,001 kg 3000 g x 1 g 6 lb x 0,002 lb 96 oz x 0,05 oz 96 oz x 1/4 oz	6 kg x 0,002 kg 6000 g x 2 g 15 lb x 0,005 lb 240 oz x 0,1 oz 240 oz x 1/4 oz	15 kg x 0,005 kg 15000 g x 5 g 30 lb x 0,01 lb 480 oz x 0,2 oz 480 oz x 1/4 oz
Resolución aprobada	1:3000	1:3000	1:3000
Repetibilidad	0,001 kg	0,002 kg	0,005 kg
Linealidad	±0,001 kg	±0,002 kg	±0,005 kg
Unidades de pesaje	kg, g, lb, oz (decimal o fraccional), lb:oz (oz decimal o fraccional)		
Pantalla del peso	5-dígitos, dígitos de 19 mm de altura, pantalla LCD con iluminación de fondo de 7 segmentos (con onza fraccional e indicador de estado de la batería)		
Teclado	Interruptor de membrana con 4 botones		
Modalidades de aplicación	Pesaje, comprobación del peso, %		
Indicación de comprobación del peso	3 LEDs (amarilla, verde y roja) con sonido de alerta configurable		
Corriente	Adaptador de CA de 9-12 VDC 0.5-0.8A Batería interna recargable sellada de plomo-ácido		
Duración normal de la batería	120 horas con 15 horas de tiempo de carga		
Rango de tara	A la capacidad por resta		
Tiempo de estabilización	2 segundos		
Localización automática de cero	Apagada, 0.5, 1 o 3 divisiones		
Rango de temperaturas de operación	-10 °C a 40 °C / 14 °F a 104 °F		
Rango de temperaturas de almacenamiento	-40 °C a 70 °C / -40.00 °F a 158 °F		
Rango aprobado de temperaturas	0 °C a 40 °C / 32 °F a 104 °F		
Protección	IP43		
Construcción	Caja y plataforma de acero inoxidable 304		
Tamaño de la bandeja (LxA)	209 x 209 mm (8.2" x 8.2")		
Dimensiones de la báscula (LxAxH)	300 x 223 x 71 mm / 9 x 12 x 2.8 in.		
Dimensiones de envío (LxAxH)	400 x 320 x 185 mm / 15.8" x 12.6" x 2.8"		
Peso de la báscula	3,6kg / 8,0lb		
Peso de envío	5kg / 11lb		

Nota: Las especificaciones del producto están sujetas a cambio sin ninguna obligación por parte del fabricante.

TABLA 5-2. ESPECIFICACIONES.

Modelo	FD3H	FD6H	FD15H
Capacidad x legibilidad (Máx x d no aprobada)	3 kg x 0,0001 kg 3000 g x 0,1 g 6 lb x 0,0002 lb 96 oz x 0,005 oz 96 oz x 1/4 oz 6 lb 0 oz x 0,1 oz 6 lb 0 oz x 1/4 oz	6 kg x 0,0002 kg 6000 g x 0,2 g 15 lb x 0,001 lb 240 oz x 0,01 oz 240 oz x 1/4 oz 15 lb 0 oz x 0,1 oz 15 lb 0 oz x 1/4oz	15 kg x 0,001 kg 15000 g x 1 g 30 lb x 0,001 lb 480 oz x 0,02 oz 480 oz x 1/4 oz 30 lb 0 oz x 0,1 oz 30 lb 0 oz x 1/4 oz
Resolución máxima de pantalla	1:30000	1:30000	1:30000
Repetibilidad	0,0002 kg	0,0004 kg	0,002kg
Linealidad	±0,0002 kg	±0,0004 kg	±0,002 kg
Unidades de pesaje	kg, g, lb, oz (decimal o fraccional), lb:oz (oz decimal o fraccional)		
Pantalla del peso	5-dígitos, dígitos de 19 mm de altura, pantalla LCD con iluminación de fondo de 7 segmentos (con onza fraccional e indicador de estado de la batería)		
Teclado	Interruptor de membrana con 4 botones		
Modalidades de aplicación	Pesaje, comprobación del peso, %		
Indicación de comprobación del peso	3 LEDs (amarilla, verde y roja) con sonido de alerta configurable		
Corriente	Adaptador de CA de 9-12 VDC 0.5-0.8A Batería interna recargable sellada de plomo-ácido		
Duración normal de la batería	120 horas con 15 horas de tiempo de carga		
Rango de tara	A la capacidad por resta		
Tiempo de estabilización	2 segundos		
Localización automática de cero	Apagada, 0.5, 1 o 3 divisiones		
Rango de temperaturas de operación	-10 °C a 40 °C / 14 °F a 104 °F		
Rango de temperaturas de almacenamiento	-40 °C a 70 °C / -40.00 °F a 158 °F		
Rango aprobado de temperaturas	0 °C a 40 °C / 32 °F a 104 °F		
Protección	IP43		
Construcción	Caja y plataforma de acero inoxidable 304		
Tamaño de la bandeja (LxA)	209 x 209 mm (8.2" x 8.2")		
Dimensiones de la báscula (LxAxH)	300 x 223 x 71 mm / 9 x 12 x 2.8 in.		
Dimensiones de envío (LxAxH)	400 x 320 x 185 mm / 15.8" x 12.6" x 2.8"		
Peso de la báscula	3,6kg / 8,0lb		
Peso de envío	5kg / 11lb		

Nota: Las especificaciones del producto están sujetas a cambio sin ninguna obligación por parte del fabricante.

GARANTÍA LIMITADA

Los productos Ohaus están garantizados contra defectos de materiales y mano de obra durante el período de garantía a partir de la fecha de entrega. Durante el período de garantía, Ohaus reparará, o a opción de Ohaus, reemplazará cualquier componente(s) que resulte defectuoso sin cargo alguno, con la condición de que el producto sea devuelto, con flete prepagado, a Ohaus.

Esta garantía no se aplica en caso se que el producto haya sido dañado por accidente o mal uso, expuesto a sustancias radioactivas o corrosivas, si presenta material extraño dentro del producto, o como resultado del mantenimiento o modificación hecha por otros que no sean Ohaus. En lugar de una tarjeta de registro de garantía devuelta debidamente, el periodo de garantía iniciará en la fecha de envío al distribuidor autorizado. Ohaus Corporation no otorga ninguna otra garantía expresa o implícita. Ohaus Corporation no será responsable por daños consecuentes.

Puesto que la legislación sobre garantías difiere entre estados y países, favor de comunicarse con su distribuidor Ohaus para mayor información.

TABLE DES MATIÈRES

1 INTRODUCTION	FR-3
1.1 Description du produit	FR-3
1.2 Caractéristiques générales	FR-3
1.3 Consignes de sécurité	FR-4
2 INSTALLATION	FR-5
2.1 Déballage	FR-5
2.2 Installation des composants	FR-5
2.3 Sélection de l'emplacement	FR-5
2.4 Alimentation	FR-5
2.4.1 Alimentation CA	FR-5
2.4.2 Batterie	FR-6
2.5 Étalonnage initial	FR-6
3 FONCTIONNEMENT	FR-7
3.1 Présentation générale des pièces et des commandes	FR-7
3.2 Fonctions de commande	FR-9
3.3 Opération élémentaire	FR-9
3.3.1 Mise sous tension	FR-9
3.3.2 Mise hors tension	FR-9
3.3.3 Mise à zéro	FR-9
3.3.4 Tare	FR-9
3.3.5 Affichage des valeurs brutes et tare	FR-10
3.3.6 Changement d'unités de mesure	FR-10
3.4 Menu	FR-10
3.4.1 Structure du menu	FR-10
3.4.2 Navigation dans le menu	FR-11
3.4.3 Changement du paramétrage du menu	FR-11
3.5 Modes d'application	FR-11
3.5.1 Pesée	FR-11
3.5.2 Pesage de contrôle	FR-11
3.6 Paramètres cibles des pesages de contrôle	FR-12
3.7 Paramètres de la balance	FR-13
3.7.1 Sous-menu d'étalonnage	FR-13

3.7.2	Sous-menu de configuration	FR-15
3.7.3	Sous-menu de lecture	FR-16
3.7.4	Sous-menu des unités	FR-17
3.7.5	Sous-menu de mode	FR-18
3.7.6	Sous-menu de verrouillage	FR-19
3.8	Paramètres des applications légales à usage commercial	FR-20
3.9	Apposition de sceaux sur la balance	FR-20
4	MAINTENANCE FR-21	
4.1	Étalonnage FR-21	
4.2	Nettoyage FR-21	
4.3	Dépannage FR-21	
4.4	Informations relatives au service	FR-22
4.5	Accessoires FR-22	
5	DONNÉES TECHNIQUES	FR-23
5.1	Schémas FR-23	
5.2	Spécifications	FR-23
Tableaux		
Tableau 3-1	Pièces et commandes	FR-8
Tableau 3-2	Structure du menu	FR-10
Tableau 3-3	Points étalonnage	FR-13
Tableau 4-1	Dépannage	FR-21
Tableau 4-2	Codes d'erreur	FR-22
Tableau 5-1	Spécifications	FR-24
Tableau 5-2	Spécifications	FR-25
Figures		
Figure 2-1	Installation	FR-7
Figure 2-2	Indicateur de nivellement	FR-7
Figure 2-3	Partie inférieure de la balance	FR-7
Figure 3-1	Pièces	FR-7
Figure 3-2	Panneau de configuration	FR-7
Figure 3-3	Affichage	FR-8
Figure 3-4	Paramètres du commutateur de sécurité	FR-20
Figure 3-5	Méthodes d'apposition de sceaux	FR-20
Figure 5-1	Dimensions de la balance	FR-23

1 INTRODUCTION

Ce guide contient des instructions d'installation, de fonctionnement et d'entretien des balances de la série FD. Veuillez lire toutes ces instructions avant l'installation et l'utilisation de la balance.

1.1 Description du produit

Les balances de la série FD, de format compact, faciles à nettoyer ont été spécifiquement conçues pour les environnements hygiéniques. Elles permettent en outre d'optimiser la productivité. Sa construction en acier inoxydable, son format compact et ses homologations avec la sécurité alimentaire, font de ces balances, le produit idéal pour les zones de préparation des aliments et sanitaires telles que les cuisines, les boulangeries, les restaurants, les installations d'emballage et de traitement. Le fonctionnement sur batterie et l'affichage LCD rétroéclairé permettent de transporter ces balances portatives sur divers emplacements et de les utiliser dans une vaste panoplie de conditions d'éclairage. Sa vitesse accélérée de mise à jour de l'affichage, le fonctionnement simple à 4 boutons et le mode configurable de pesée de contrôle permettent d'utiliser les balances de la série FD dans des applications d'ordre général, de portion et de tri. Ces balances de pesée précise offriront de longues années de service si elles sont correctement entretenues.

1.2 Caractéristiques générales

- Capacité des modèles(FDxx) : 3 kg x 0,5 g / 6 lb x 0,001 lb, 6 kg x 1 g / 15 lb x 0,002 lb, 15 kg x 2 g / 30 lb x 0,005 lb
- Résolution maximale affichée(FDxx) 1 : 6000 à 7500
- Résolution type approuvée(FDxx) 1 : 3000
- Capacité des modèles(FDxxH) : 3kg x .1g / 6lb x .0002lb, 6kg x 0.2g / 15lb x .001lb, 15kg x 1g / 30 lb x .001lb
- Résolution maximale affichée(FDxxH) 1 :30000
- Certificats de sécurité alimentaire : NSF, USDA/AMS
- Boîtier compact en acier inoxydable
- Plateau de pesée en acier inoxydable : 209 x 209 mm (8,2 x 8,2 po)
- Affichage LCD rétroéclairé : 7 segments à 5 chiffres, hauteur des chiffres 19 mm (0,75 po)
- Unités de pesée multiples : kg, g, lb, oz (décimal ou fractionnel), lb:oz (décimal ou fractionnel)
- Vitesse de la mise à jour de l'affichage : dans les 2 secondes
- LED à 3 couleurs avec des indications de contrôle de pesée avec alerte audible et configurable
- Panneau de configuration à 4 boutons, y compris le bouton de Tare dédié
- Indicateur de nivellement incorporé et pieds de nivellement en caoutchouc résistant au glissement et réglables
- Batterie au plomb rechargeable incorporée : Fonctionnement de 120 heures sur une charge de 15 heures
- Indicateur de l'état de la batterie avec fonction d'arrêt automatique permettant d'économiser de l'énergie
- Brut, net et tare
- Suivi auto-zéro
- Auto-tare
- Filtrage numérique évolué
- Connexion pour l'interrupteur au pied destiné à la tare à distance.

1.3 Consignes de sécurité



Pour garantir un fonctionnement sécuritaire et fiable de la balance, conformez-vous aux précautions de sécurité suivantes :

- Vérifiez que la tension d'entrée imprimée sur l'étiquette des données de l'adaptateur CA et que le type de la fiche correspond à l'alimentation CA locale.
- Assurez-vous que le cordon ne représente pas d'obstacle potentiel ou de danger de chute.
- Utilisez uniquement les accessoires et les périphériques approuvés.
- N'utilisez la balance que dans les conditions ambiantes spécifiées dans les présentes instructions.
- Déconnectez la balance de l'alimentation électrique pour la nettoyer.
- N'utilisez pas la balance dans des environnements dangereux ou instables.
- Ne plongez pas la balance dans l'eau ni dans d'autres liquides.
- Évitez d'éclabousser la balance avec de l'eau ou d'autres liquides.
- Ne faites pas tomber de charges lourdes sur la plate-forme.
- L'entretien doit être exécuté exclusivement par un personnel autorisé.

2 INSTALLATION

2.1 Déballage

Déballer le produit et vérifier que les composants suivants ont été inclus :

- Balance FD
- Manuel d'instruction
- Plateau de pesée
- Carte de la garantie
- Adaptateur CA
- Kit d'apposition des sceaux pour les poids et mesures

Conservez l'emballage. Remplacez la balance dans l'emballage initial pour garantir un transport et un stockage sécurisé du produit.

2.2 Installation des composants

Placez le plateau de pesée sur les quatre coussinets de charge en haut de la balance. Si vous utilisez la pédale optionnelle, branchez la connexion de l'interrupteur au pied dans la prise appropriée en dessous de la balance (voir la Figure 2-3).

2.3 Sélection de l'emplacement

Placez la balance sur une surface solide et équilibrée. Évitez les emplacements avec des variations de température brusques ou de la poussière, des courants d'air, des vibrations, des champs électromagnétiques ou sources de chaleur excessives.

Ajustez les pieds de nivellement en veillant à ce que la bulle soit centrée dans le cercle de l'indicateur de nivellement.

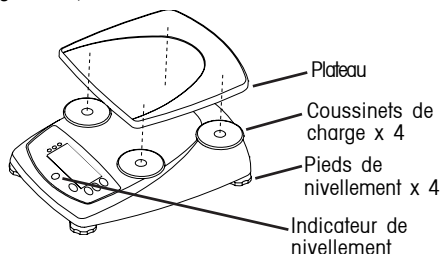


Figure 2-1. Installation des composants de la balance.

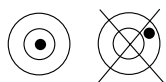


Figure 2-2. Indicateur de nivellement.

REMARQUE : vous devez remettre la balance à niveau chaque fois que vous la changez de place.

2.4 Alimentation

2.4.1 Alimentation CA

Vérifiez que la tension imprimée sur l'étiquette des données de la balance correspond à la tension locale. Dans le cas contraire, NE BRANCHEZ PAS la balance. Contactez votre revendeur OHAUS pour toute assistance.

Connectez l'adaptateur CA à la prise murale. Branchez la fiche dans la prise en dessous de la balance.

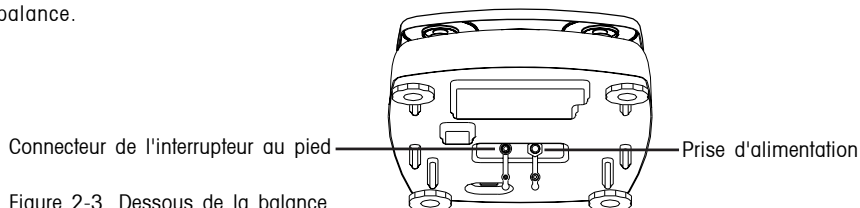


Figure 2-3. Dessous de la balance.



Avant d'utiliser la balance pour la première fois, la batterie interne rechargeable doit être totalement chargée pendant 15 heures. La balance peut être utilisée pendant le rechargement. La batterie est protégée contre la surcharge et la balance peut rester connectée à la ligne CA.

Branchez l'adaptateur CA dans la prise marquée Alimentation (Power) située en dessous de la balance pour effectuer le rechargement. Pendant que la batterie se recharge, les segments du symbole de la batterie s'allument alternativement. Lorsque la batterie est totalement chargée, le symbole de la batterie disparaît.

2.4.2 Batterie

La balance peut être alimentée sur une batterie rechargeable interne lorsque l'alimentation CA n'est pas disponible. La balance passe automatiquement en mode batterie en cas de coupure de courant ou si le cordon d'alimentation est enlevé. Une batterie totalement chargée peut faire fonctionner la balance pendant 120 heures (sans le rétroéclairage) indépendamment de la ligne d'alimentation CA.

Pendant le fonctionnement sur batterie, le symbole de la batterie s'allume pour indiquer le statut courant de la décharge (1 segment = 25 % de la capacité). Un symbole clignotant indique que la batterie a besoin d'être rechargée. La balance s'éteint automatiquement lorsque la batterie est totalement déchargée.



ATTENTION

SEUL UN TECHNICIEN AGRÉÉ OHAUS EST AUTORISÉ À CHANGER LA BATTERIE.

LA BATTERIE RISQUE D'EXPLOSER SI ELLE EST REMPLACÉE PAR UN MAUVAIS TYPE OU SI ELLE N'EST PAS CONNECTÉE CORRECTEMENT.



Jetez la batterie au plomb usée en respectant les lois et réglementations en vigueur.

2.5 Étalonnage initial

Lorsque la balance est installée pour la première fois, un étalonnage de la portée doit être effectué pour garantir des résultats de pesage précis. Avant d'exécuter l'étalonnage de la portée, assurez-vous d'avoir des poids d'étalonnage appropriés. Voir la section 3.7.1.

3 FONCTIONNEMENT

3.1 Présentation générale des pièces et des commandes

Identifiez les pièces et les commandes en vous servant des numéros du tableau 1.

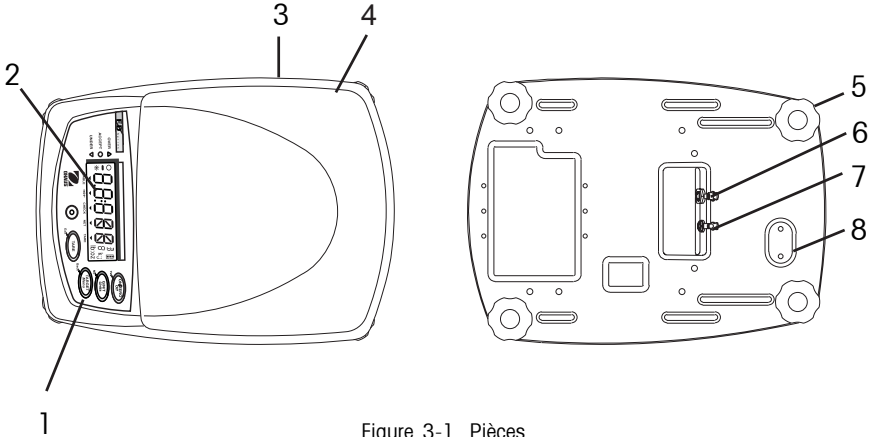


Figure 3-1. Pièces.

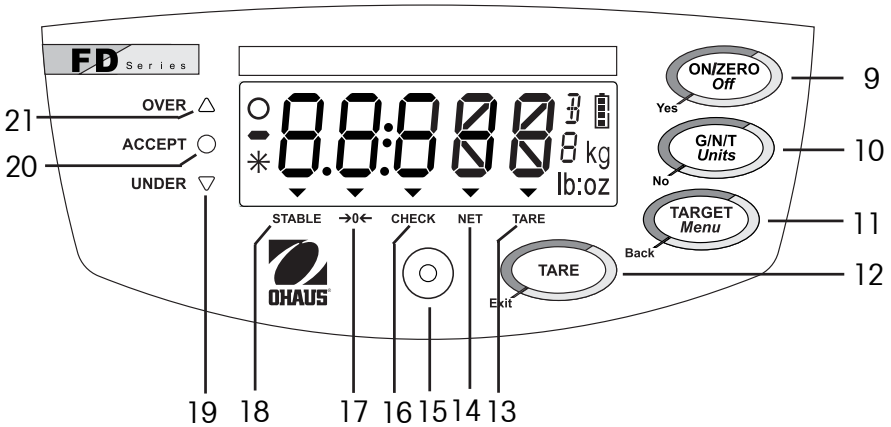


Figure 3-2. Panneau de commande.

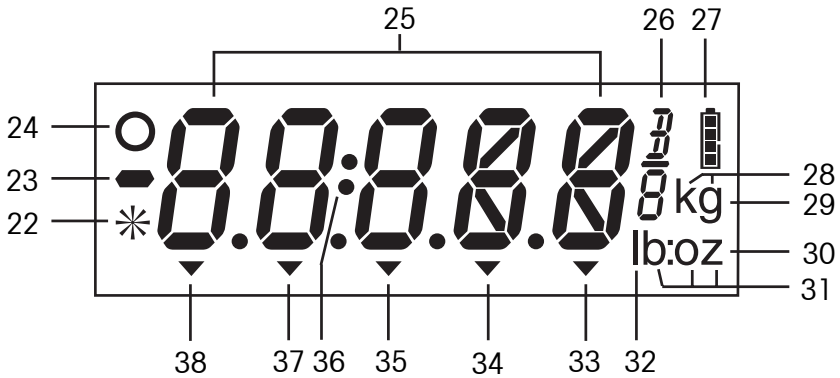


Figure 3-3. Affichage.





TABLEAU 3-1. PIÈCES ET COMMANDES.

Élément	Description
1	Boutons de commande
2	Affichage
3	Libellé des données
4	Plateau de pesée
5	Pieds de nivellement réglables
6	Connexion pour l'adaptateur CA
7	Connexion pour l'interrupteur au pied en option
8	Couvercle de sécurité
9	Bouton de mise sous tension et mise à zéro
10	Bouton Brut/net/tare et d'unité
11	Bouton cible/menu
12	Bouton tare
13	Indicateur de tare
14	Indicateur de poids net
15	Indicateur de nivellement
16	Indicateur du mode de pesée de contrôle
17	Indicateur de centre de zéro
18	Indicateur de stabilité
19	LED jaune de la limite inférieure

Élément	Description
20	LED verte de validation
21	DEL rouge de limite supérieure
22	Inusité
23	Signe moins
24	Inusité
25	Affichage à sept segments
26	Symbole de l'once en fraction
27	Indicateur de charge de la batterie
28	Symbole de l'unité kg
29	Symbole de l'unité g
30	Symbole de l'unité oz
31	Symbole de l'unité lb:oz
32	Symbole de l'unité lb
33	Indicateur de tare
34	Indicateur de poids net
35	Indicateur du mode de pesée de contrôle
36	Séparateur lb:oz
37	Indicateur de centre de zéro
38	Indicateur de stabilité

3.2 Fonctions de commande

Quatre boutons multifonctions permettent d'exploiter les fonctions de la balance.

Bouton				
Fonction principale (Appuyez rapidement)	ON / ZERO <ul style="list-style-type: none"> • Si la balance est à l'arrêt, mettez la balance en marche. • Si la balance est en marche, réglez sur zéro. 	G/N/T Affiche momentanément les valeurs de poids brut, net et tare	TARGET Lance le mode du paramètre cible.	TARE <ul style="list-style-type: none"> • Règle la tare • Efface la tare, si le plateau est vide
Fonction secondaire (Appuyez longtemps)	Off Si la balance est activée, mettez la balance sur arrêt	Units Permet de changer l'unité de pesage	Menu Permet d'activer le mode du menu.	Aucune
Fonction du menu	Yes Permet de valider le paramètre courant et d'avancer au prochain élément du menu.	No Permet de rejeter le paramètre ou l'élément du menu courant et d'avancer au prochain élément disponible du menu	Back Permet de revenir à l'élément précédent du menu	Exit <ul style="list-style-type: none"> • Permet de sortir immédiatement du mode menu • Permet d'annuler l'étalonnage en cours
Fonction du paramètre cible	Permet de passer au prochain chiffre	Permet d'incrémenter le chiffre actif.	Permet de valider la valeur affichée	Change le signe (+ / -) de la valeur affichée

3.3 Opération élémentaire

3.3.1 Mise sous tension

Lorsque la balance est à l'arrêt, appuyez sur le bouton **ON/ZERO Off**. La balance effectue un test de l'affichage et affiche ensuite zéro.

3.3.2 Mise hors tension

Avec la balance en marche, appuyez sur le bouton **ON/ZERO Off** que vous maintenez enfoncé jusqu'à ce que l'option OFF s'affiche.

3.3.3 Mise à zéro

Enlevez la charge du plateau et appuyez sur le bouton **ON/ZERO Off** pour mettre l'affichage à zéro. L'indicateur du centre de zéro s'active lorsque la mesure se trouve dans $\pm 1/4$ du zéro défini.

3.3.4 Tare

Affichage semi-automatique (bouton Tare)

Pour enregistrer ou modifier la valeur de la tare, placez un conteneur vide sur le plateau et appuyez sur le bouton **TARE**. Le poids net et l'indicateur NET s'affichent.

Pour effacer la valeur de la tare, enlevez le conteneur du plateau et appuyez sur le bouton **TARE**. L'indicateur NET s'éteint et le poids brut s'affiche.

Tare automatique (voir la section 3.7.3)

La tare automatique est une fonction pratique qui calcule automatiquement la tare du poids initial (tel qu'un conteneur vide) placé sur le plateau vide sans vous obliger à appuyer sur le bouton **TARE**. La valeur de la tare est effacée automatiquement lorsque le poids du plateau est enlevé.

Tare à distance (interrupteur au pied)

La tare avec l'interrupteur au pied en option revient à appuyer sur le bouton **Tare**.

3.3.5 Affichage des valeurs brutes, nettes et tare

Lorsqu'une tare a été saisie, appuyez sur le bouton **G/N/T** plusieurs fois pour afficher la tare (l'indicateur TARE s'allume), le poids brut et les poids nets (l'indicateur NET s'allume). Après quelques secondes, la balance affiche à nouveau le poids NET.

3.3.6 Changement d'unités de mesure

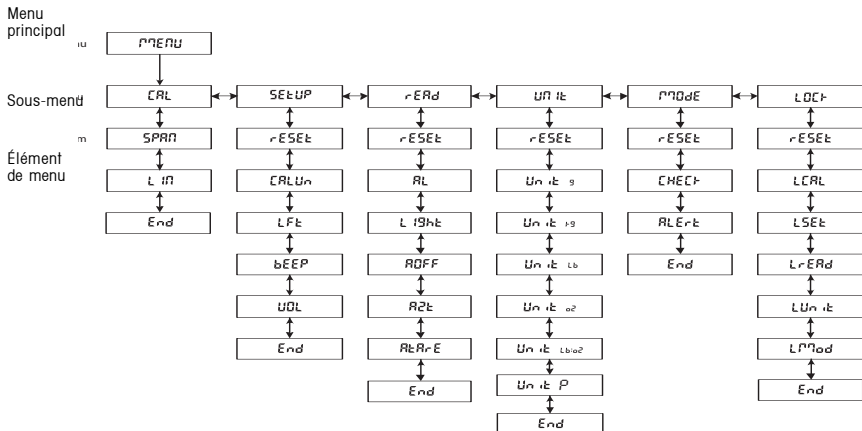
Appuyez sur le bouton **Units** que vous maintenez enfoncé jusqu'à ce que l'unité souhaitée s'affiche. Si une des unités disponibles n'est pas affichée, activez-les selon les instructions dans la section 3.7.4.

3.4 Menu

3.4.1 Structure du menu

La structure du menu de la série FD comprend trois niveaux : principal, sous-menu et élément du menu. Le menu principal contient des sous-menus et chacun des sous-menus contient plusieurs options de menu. Tous les éléments de menu comprennent deux ou plusieurs paramètres.

TABLEAU 3-2. STRUCTURE DU MENU.



3.4.2 Navigation dans le menu

Naviguez parmi les menus à l'aide des quatre boutons (**Yes**, **No**, **Back** et **Exit** soit **Oui**, **Non**, **Retour** et **Quitter**) (voir la section 3.2).

- **Yes [Oui]** - Permet d'activer l'élément du sous-menu ou du menu et de valider le paramètre affiché.
- **No [Non]** - Permet de passer à l'élément du sous-menu ou du menu et de changer le paramètre affiché.
- **Back [Retour]** - Permet de revenir à l'élément du menu ou du sous-menu précédent.
- **Exit [Quitter]** - Permet de quitter le mode Menu.

3.4.3 Changement du paramétrage du menu

Activez le menu en appuyant sur le bouton **Menu** que vous maintenez enfoncé jusqu'à ce que l'option Menu s'affiche. Lorsque vous relâchez le bouton, le premier sous-menu disponible s'affiche.

- Naviguez vers le sous-menu souhaité en appuyant sur le bouton **No**.
- Sélectionnez le sous-menu en appuyant sur le bouton **Yes**.
- Naviguez vers le menu souhaité en appuyant sur le bouton **No**.
- Sélectionnez le menu en appuyant sur le bouton **Yes**.
- Modifiez les paramètres en utilisant le bouton **No** ou validez les paramètres en utilisant le bouton **Yes**.
- Continuez de naviguer à l'aide des boutons **Yes**, **No** et **Back** ou revenez au pesage à l'aide du bouton **Exit**.

3.5 Modes d'application

Deux modes d'application sont disponibles dans la série FD. Poids et contrôle de poids. Pour activer le mode de contrôle de pesée, la contrôle de pesée doit être activé dans le menu Mode (voir la section 3.7.5).

3.5.1 Pesée

Utilisez ce mode pour déterminer le poids des éléments dans l'unité de mesure sélectionnée. Les balances de la série FD sont expédiées avec les unités des kilogrammes (kg) et des livres (lb) activées. Vous devez sélectionner d'autres unités de mesure dans le menu Unité pour pouvoir les activer (voir la section 3.7.4).

3.5.2 Pesage de contrôle

Activez ce mode pour comparer le poids d'un élément par rapport aux limites cibles (inférieure et supérieure). Lorsque le mode de pesage de contrôle est activé, l'indicateur CHECK (CONTRÔLE) s'allume.

Pour régler les limites cibles, voir la Section 3.6 Paramètres cibles des pesages de contrôle.

Placez l'échantillon sur le plateau de pesée. Si le poids de l'échantillon est inférieur à la plage du pesage cible, la diode LED jaune s'allume. Si le poids de l'échantillon est dans la plage du pesage cible, la diode LED verte s'allume. Si le poids de l'échantillon est supérieur à la plage du pesage cible, la diode LED rouge s'allume. Une alerte audible complète l'indication LED (voir la section 3.7.5).

Pesage de contrôle normal

Déterminez les deux cibles comme valeurs positives où le poids acceptable le plus léger est saisi comme limite cible inférieure et le poids acceptable le plus lourd est saisi comme limite cible supérieure. Les éléments placés sur le plateau sont comparés aux cibles.

Pesage de contrôle négatif

Dans le cas d'un pesage de contrôle négatif, la partie d'un article retirée du plateau est vérifiée par rapport aux limites cibles. Cette méthode est recommandée pour les applications impliquant des portions.

- Déterminez les deux cibles comme valeurs négatives où le poids acceptable le plus léger est saisi comme limite cible inférieure et le poids acceptable le plus lourd est saisi comme limite cible supérieure.
- Placez une quantité d'articles sur le plateau.
- Tarez les articles.
- Enlevez une partie des articles du plateau.
- La quantité retirée sera comparée aux cibles.

Pesage de contrôle zéro

Dans le cas d'un pesage de contrôle zéro, les résultats affichés indiquent l'écart du poids d'échantillon par rapport à une référence ou un poids idéal. Cette méthode est recommandée pour les applications impliquant des triages et des classements.

- Définissez les cibles à l'aide de la valeur négative (tolérance négative) pour la limite inférieure et une valeur positive (tolérance positive) pour la limite supérieure.
- Placez le poids de référence sur le plateau.
- Tarez le poids de référence et retirez-le du plateau.
- Placez l'article à contrôler par rapport au poids de référence sur le plateau.
- L'affichage indique une valeur négative, positive ou 0 si l'échantillon est inférieur, supérieur ou égale au poids de référence, respectivement.

3.6 Paramètres cibles des pesages de contrôle

Pour définir les limites cibles, appuyez d'abord sur le bouton **TARGET [CIBLE]**. La valeur de la limite cible inférieure s'affiche en premier avec le chiffre le plus à gauche clignotant.

Remarque : la balance doit être en mode de pesage de contrôle pour pouvoir saisir ou modifier des valeurs cibles.

- Pour modifier la limite cible inférieure, appuyez sur le bouton **No** et incrémenter le chiffre clignotant. Appuyez sur le bouton **Yes** pour passer au chiffre suivant et sur le bouton **Exit** pour changer de signer.
- Appuyez sur le bouton **TARE** pour permuter l'affichage entre la valeur positive et négative.
- Pour valider les limites cibles inférieures, appuyez sur le bouton **TARGET [CIBLE]**.
- La valeur de la limite cible supérieure s'affiche ensuite avec le chiffre le plus à gauche clignotant.
- Répétez la procédure ci-dessus pour définir la limite cible supérieure.
- Après avoir défini la limite cible supérieure, appuyez sur le bouton **TARGET [CIBLE]** pour enregistrer les paramètres et lancer le pesage de contrôle.

3.7 Paramètres de la balance

Activez le mode Menu. Passez à un élément de menu et utilisez les boutons **Yes** et **Non** pour afficher et sélectionner les paramètres disponibles de la balance. Après avoir apporté les modifications, appuyez sur **Exit** pour revenir au pesage. Pour de plus amples informations sur l'activation et la navigation parmi les menus, voir la section 3.4.

3.7.1 Sous-menu d'étalonnage

Remarque : La fonction d'étalonnage n'est pas disponible lorsque la balance a été réglée pour une opération légale à usage commercial (LFT réglé sur ON dans le sous-menu Setup [Configuration], voir la section 3.7.2).

Types d'étalonnage – L'étalonnage des balances de la série FD peut être effectué de deux façons : portée et linéarité. L'étalonnage de la portée se base sur deux points d'étalonnage permettant de régler la sensibilité de la balance. L'étalonnage de linéarité se base sur trois points d'étalonnage pour rectifier les résultats de pesage non-linéaires.

Poids d'étalonnage – Avant de procéder à l'étalonnage, veillez à ce que des poids d'étalonnage requis soient disponibles. Les points d'étalonnage spécifique au modèle sont indiqués dans le tableau ci-dessous.

TABLEAU 3-3. POINTS D'ÉTALONNAGE.

Modèle	Unité d'étalonnage	Points d'étalonnage de portée	Points d'étalonnage de linéarité
FD3/ FD3H	kg lb	1, 2 ou 3 kg 2, 5 ou 6 lb	1 ou 2 et 3 kg 2 ou 4 et 6 lb
FD6/ FD6H	Kg lb	2, 5 ou 6 kg 5, 10 ou 15 lb	2 ou 4 et 6 kg 5 ou 10 et 15 lb
FD15/ FD15H	Kg lb	5, 10 ou 15 kg 10, 20 ou 30 lb	5 ou 10 et 15 kg 10 ou 20 et 30 lb

Remarques :

1. Les points d'étalonnage par défaut sont indiqués en caractères gras.
2. Les unités d'étalonnage kg ou lb sont sélectionnées dans le sous-menu Setup [Configuration] (section 3.7.2.)
3. Les poids ASTM Classe 4 ou OIML Classe F2 sont requis à l'étalonnage.

Procédure d'étalonnage de portée

- Lorsque la mention CAL s'affiche, appuyez sur **Yes** pour activer le sous-menu d'étalonnage.
- Lorsque Span [Portée] s'affiche, appuyez sur **Yes** pour lancer le processus d'étalonnage de portée.
- Effacez le plateau si une invite vous le demande et appuyez sur **Yes**.
- L'affichage indique --C--, suivi de la valeur de pesage d'étalonnage de portée.
- Vous pouvez appuyer sur **No** pour passer à une valeur alternative de poids d'étalonnage de portée.
- Placez le poids d'étalonnage indiqué sur la balance et appuyez ensuite sur **Yes**.
- L'affichage affiche --C--, puis Done [Terminé] et revient ensuite au pesage. Retirez le poids d'étalonnage.

Remarque : vous pouvez annuler la procédure d'étalonnage à n'importe quel moment. Pour ce faire, il suffit d'appuyer sur le bouton **Exit [Quitter]** ou d'éteindre la balance.

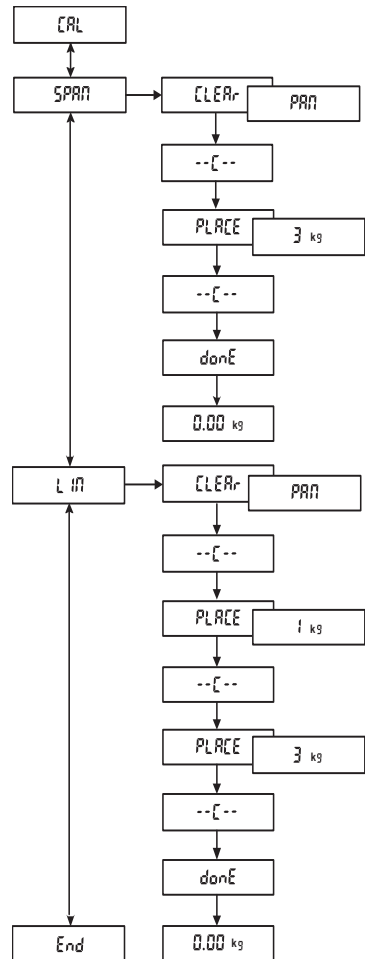
Procédure d'étalonnage de linéarité

- Lorsque LIN s'affiche, appuyez sur **Yes** pour lancer le processus d'étalonnage de linéarité.
- Effacez le plateau si une invite vous le demande et appuyez sur **Yes**.
- L'affichage indique --C--, suivi de la première valeur de pesage d'étalonnage.
- Vous pouvez appuyer sur **No** pour passer à la première valeur alternative de poids d'étalonnage.
- Placez le poids d'étalonnage indiqué sur la balance et appuyez ensuite sur **Yes**.
- L'affichage indique --C--, suivi de la deuxième valeur de pesage d'étalonnage.
- Placez le poids d'étalonnage indiqué sur la balance et appuyez ensuite sur **Yes**.
- L'affichage affiche --C--, puis Done [Terminé] et revient ensuite au pesage. Retirez le poids d'étalonnage.

Remarque : vous pouvez annuler la procédure d'étalonnage à n'importe quel moment. Pour ce faire, il suffit d'appuyer sur le bouton **Exit [Quitter]** ou d'éteindre la balance.

End [Fin]

- Appuyez sur **Yes** pour quitter ce sous-menu et allez au sous-menu suivant.
- Appuyez sur **No** pour revenir à l'élément du menu supérieur de ce sous-menu.



3.7.2 Sous-menu de configuration

Appuyez sur **Yes** pour activer le sous-menu Setup [Configuration].

Reset (Remise à zéro)

Appuyez sur **Yes** pour activer le menu Reset [Remise à zéro].

- **No** - Ne change pas les paramètres du sous-menu Setup.
- **Yes** - Permet de restaurer les paramètres par défaut du sous-menu Setup (en caractères gras et soulignés dans le texte).

Calibration Unit [Unité d'étalonnage]

Appuyez sur **Yes** pour activer le menu Calibration Unit [Unité d'étalonnage].

- **kg** - Étalonnez en utilisant les poids de kilogramme.
- **lb** - Étalonnez en utilisant les poids de livre.

Légal à usage commercial

Appuyez sur **Yes** pour activer le menu LFT.

- **Off** - Permet de régler la balance sur une opération non-légale à usage commercial.
- **On** - Permet de régler la balance sur une opération légale à usage commercial.

Remarque : pour de plus amples informations sur une opération légale à usage commercial, voir la section 3.8.

Beeper [téléavertisseur]

Appuyez sur **Yes** pour activer le menu Beeper.

- **Off** - le téléavertisseur ne résonne pas lorsqu'un bouton est appuyé.
- **On** - le téléavertisseur résonne lorsqu'un bouton est appuyé.

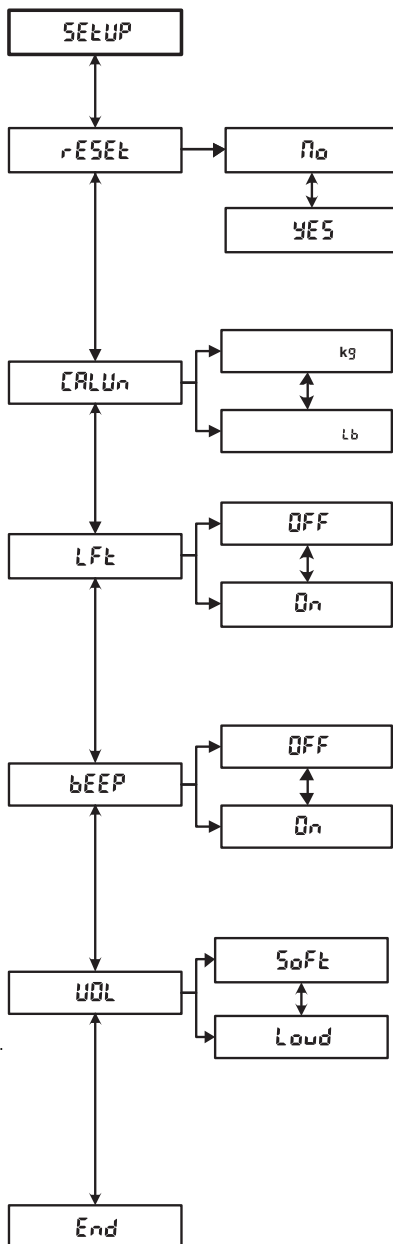
Volume

Appuyez sur **Yes** pour activer le menu Beeper Volume.

- **Soft [Bas]** - Le volume du téléavertisseur est bas.
- **Loud [Fort]** - Le volume du téléavertisseur est fort.

End [Fin]

- Appuyez sur **Yes** pour quitter ce sous-menu et aller au sous-menu suivant.
- Appuyez sur **No** pour revenir à l'élément du menu supérieur de ce sous-menu.



3.7.3 Sous-menu de lecture

Appuyez sur **Yes** pour activer le sous-menu Readout [Lecture].

Reset (Remise à zéro)

Appuyez sur **Yes** pour activer le menu Reset [Remise à zéro].

- **No** - Ne change pas les paramètres du sous-menu Readout.
- **Yes** - Permet de restaurer les paramètres par défaut du sous-menu Readout (en caractères gras et soulignés dans le texte).

Averaging Level [Niveau moyenne]

Appuyez sur **Yes** pour activer le menu Averaging Level [Niveau moyenne].

- **Lo [Bas]** - Moins de filtrage (temps de déstabilisation plus court).
- **Hi [Élevé]** - Plus de filtrage (temps de déstabilisation plus long).

Light [Éclairage]

Appuyez sur **Yes** pour activer le menu Backlight [Rétroéclairage].

- **Off** - Permet de désactiver le rétroéclairage de l'affichage.
- **On** - Permet d'activer le rétroéclairage de l'affichage.
- **Auto** - Permet d'activer automatiquement le rétroéclairage de l'affichage lorsque la balance est activé et l'arrête après 5 secondes d'inactivité.

Auto Off [Auto-désactivation]

Appuyez sur **Yes** pour activer le menu Auto-off [Auto-désactivation].

- **Off** - Permet de désélectionner la fonction d'auto-désactivation.
- **On** - Permet d'activer la balance après 5 minutes d'inactivité.

Auto Zero tracking [Suivi auto-zéro]

Appuyez sur **Yes** pour activer le menu Auto Zero Tracking [Suivi auto-zéro].

- **0.5 d** - Plage de capture d'une 1/2 de division.
- **1 d** - Plage de capture de 1 division.
- **3 d** - Plage de capture de 3 divisions.
- **Off** - Permet de désélectionner la fonction de suivi d'auto-zéro.

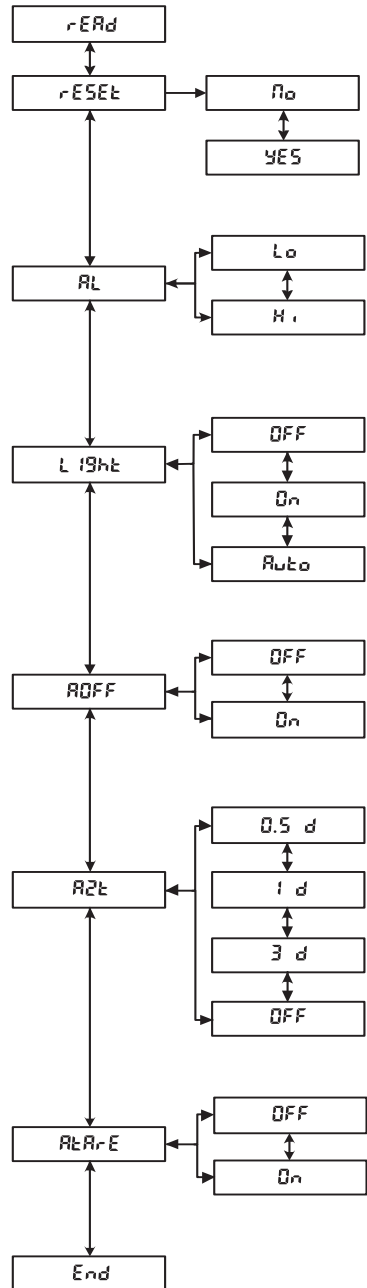
Auto-tare

Appuyez sur **Yes** pour activer le menu Automatic Tare [Tare automatique].

- **Off** - Permet de désactiver la fonction de tare automatique.
- **On** - Permet d'activer la tare automatique.

End [Fin]

- Appuyez sur **Yes** pour quitter ce sous-menu et allez au sous-menu suivant.
- Appuyez sur **No** pour revenir à l'élément du menu supérieur de ce sous-menu.



3.7.4 Sous-menu des unités

Appuyez sur **Yes** pour activer le sous-menu Unit [Unité].
Reset (Remise à zéro)

Appuyez sur **Yes** pour activer le menu Reset [Remise à zéro].

- **No** - Ne change pas les paramètres du sous-menu Unit.
- **Yes** - Permet de restaurer les paramètres par défaut du sous-menu Unit (en caractères gras et soulignés dans le texte).

Gram

Appuyez sur **Yes** pour activer le menu de l'unité Gram.

- **Off** - Permet de désélectionner les grammes.
- **On** - Permet d'activer les grammes.

Kilogram

Appuyez sur **Yes** pour activer le menu de l'unité Kilogram.

- **Off** - Permet de désélectionner les kilogrammes.
- **On** - Permet d'activer les kilogrammes.

Pound

Appuyez sur **Yes** pour activer le menu de l'unité Pound.

- **Off** - Permet de désélectionner les livres.
- **On** - Permet d'activer les livres.

Ounce

Appuyez sur **Yes** pour activer le menu de l'unité Ounce.

- **Off** - Permet de désélectionner les onces.
- **dEC** - Permet d'activer les onces décimales.
- **FrAC** - Permet d'activer les onces fractionnelles.

Pound:Ounce

Appuyez sur **Yes** pour activer le menu de l'unité Pound Ounce.

- **Off** - Permet de désélectionner les livres onces.
- **dEC** - Permet d'activer les livres onces décimales.
- **FrAC** - Permet d'activer les livres onces fractionnelles.

Unité P (pourcentage)*

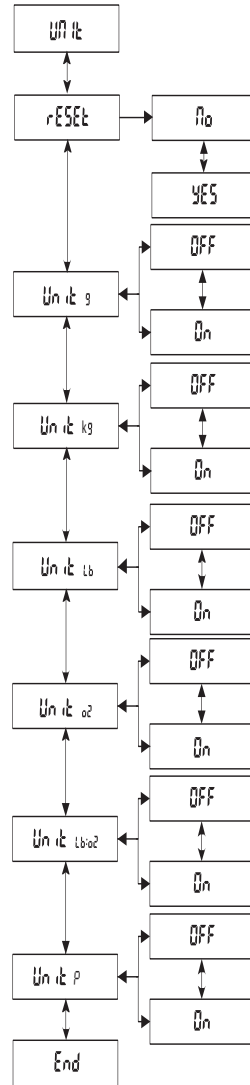
Appuyez sur **Yes** pour activer le menu de l'unité P.

- **Off** - Permet de désactiver P
- **On** - Permet d'activer P

End [Fin]

- Appuyez sur **Yes** pour quitter ce sous-menu et allez au sous-menu suivant.
- Appuyez sur **No** pour revenir à l'élément du menu supérieur de ce sous-menu.

*Utilisez P pour mesurer le poids d'un échantillon comme un % du poids de référence. Lorsque P est sélectionné, l'écran affiche S.rEF et P. Appuyez sur « No » pour utiliser le poids de référence enregistré ou sur « Yes » pour établir une nouvelle référence. Après avoir placé le matériau de référence, appuyez sur « Yes » pour établir une référence à 100 % Remplacez le matériau de référence par un nouvel échantillon pour lire le pourcentage de l'échantillon comparé au poids de référence.



3.7.5 Sous-menu de mode

Appuyez sur **Yes** pour activer le sous-menu Mode.

Reset (Remise à zéro)

Appuyez sur **Yes** pour activer le menu Reset [Remise à zéro].

- **No** - Ne change pas les paramètres du sous-menu Mode.
- **Yes** - Permet de restaurer les paramètres par défaut du sous-menu Mode (en caractères gras et soulignés dans le texte).

Mode Checkweigh [Pesage de contrôle]

Appuyez sur **Yes** pour activer le menu Checkweigh [Pesage de contrôle].

- **Off** - Permet de désélectionner le mode Checkweighing.
- **On** - Permet d'activer le mode Checkweighing.

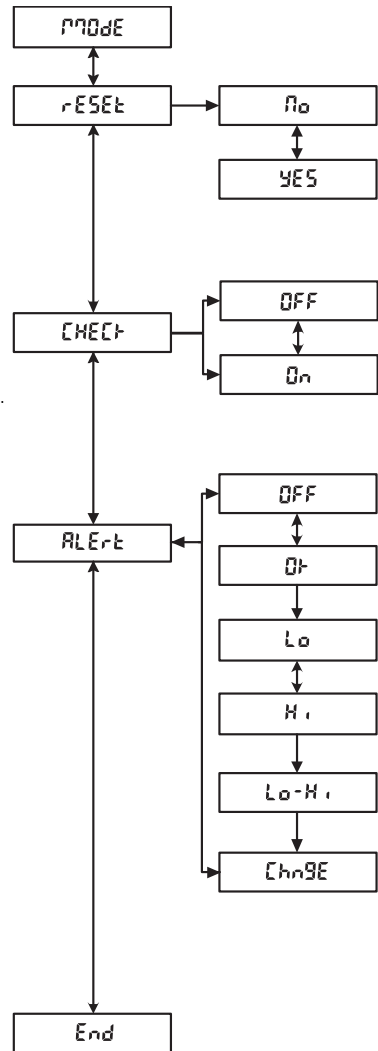
Alert

Appuyez sur **Yes** pour activer le menu Checkweigh Alert [Alerte du pesage de contrôle].

- **Off** - Permet de désactiver le signal sonore de l'alerte.
- **OK** - Permet d'émettre un signal lorsque la diode verte d'acceptation est allumée.
- **Lo** [Bas] - Permet d'émettre un signal lorsque la diode jaune de limite inférieure est allumée.
- **Hi** [Élevé] - Permet d'émettre un signal lorsque la diode rouge de limite supérieure est allumée.
- **Lo-Hi** [Bas-Élevé] - Permet d'émettre un signal lorsque la diode jaune de limite inférieure ou la diode rouge de limite supérieure est allumée.
- **Change** - Permet d'émettre un signal lorsque la diode verte d'acceptation est allumée, deux signaux lorsque la diode rouge de limite supérieure est allumée.

End [Fin]

- Appuyez sur **Yes** pour quitter ce sous-menu et aller au sous-menu suivant.
- Appuyez sur **No** pour revenir à l'élément du menu supérieur de ce sous-menu.



3.7.6 Sous-menu de verrouillage

Appuyez sur **Yes** pour activer le sous-menu Lockout [Verrouillage].

Reset (Remise à zéro)

Appuyez sur **Yes** pour activer le sous-menu Reset [Remise à zéro].

- **No** - Ne change pas les paramètres du sous-menu Lockout.
- **Yes** - Permet de restaurer les paramètres par défaut du sous-menu Lockout (en caractères gras et soulignés dans le texte).

Lock Calibration [Verrouiller étalonnage]

Appuyez sur **Yes** pour activer le sous-menu Lock Calibration [Verrouiller étalonnage].

- **Off** - Permet de modifier le sous-menu Calibration.
- **On** - Permet de verrouiller les paramètres du sous-menu Calibration.

Lock Setup [Configuration verrouillée]

Appuyez sur **Yes** pour activer le sous-menu Lock Setup [Configuration verrouillée].

- **Off** - Permet de modifier le sous-menu Setup.
- **On** - Permet de verrouiller les paramètres du sous-menu Setup.

Lock Readout [Verrouiller lecture]

Appuyez sur **Yes** pour activer le sous-menu Lock Readout [Verrouiller lecture].

- **Off** - Permet de modifier le sous-menu Readout.
- **On** - Permet de verrouiller les paramètres du sous-menu Readout.

Lock Unit [Verrouiller Unité]

Appuyez sur **Yes** pour activer le sous-menu Lock Unit [Verrouiller Unité].

- **Off** - Permet de modifier le sous-menu Unit.
- **On** - Permet de verrouiller les paramètres du sous-menu Unit.

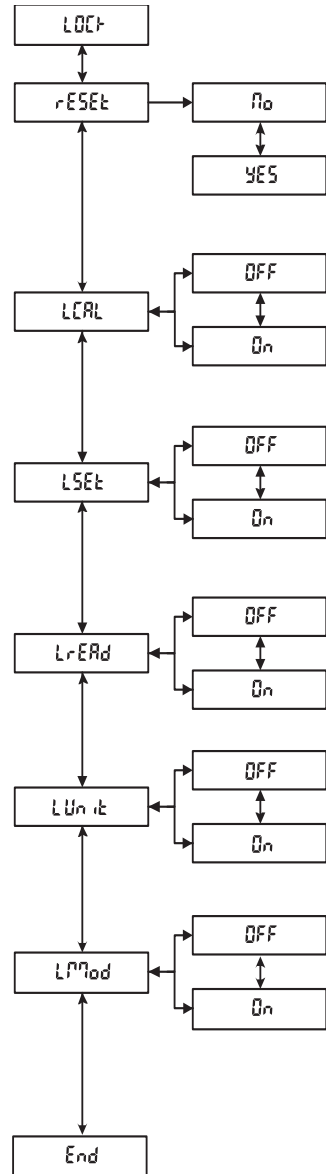
Mode Lock (Verrouillage)

Appuyez sur **Yes** pour activer le sous-menu Mode Lock.

- **Off** - Permet de modifier le sous-menu Mode.
- **On** - Permet de verrouiller les paramètres du sous-menu Mode.

End [Fin]

- Appuyez sur **Yes** pour quitter ce sous-menu et allez au sous-menu suivant.
- Appuyez sur **No** pour revenir à l'élément du menu supérieur de ce sous-menu.



3.8 Paramètres des applications légales à usage commercial

La série FD a été conçue pour se conformer à la réglementation régissant les poids et mesures OIML, EEC, NTEP et Mesures Canada. Ces homologations peuvent être en instance; contactez Ohaus pour de plus amples informations.

Remarque : consultez le bureau local des poids et mesure afin de déterminer la réglementation en vigueur avant de placer la balance dans une application légale à usage commerciale.

Lorsque l'option LFT est définie sur ON, les conditions suivantes s'appliquent :

- Le sous-menu d'étalonnage CAL est masqué.
- Le sous-menu d'étalonnage Calibration Lock (LCL) est masqué.
- L'option du menu de suivi auto-zéro (AZt) est réglée sur 0,5 d.
- L'unité lb:oz, p est désactivée.

Lorsque le représentant officiel des poids et mesures a approuvé la balance, cette dernière doit être scellée selon l'une des méthodes de la section 3.9.

3.9 Apposition de sceaux sur la balance

Cette option utilisée conjointement avec le menu Lockout [Verrouillage] et l'interrupteur de sécurité permet de sceller la balance et d'empêcher voire détecter toute modification non autorisée aux paramètres de la balance. Pour les applications légales à usage commercial, réglez l'option LFT sur ON, réglez l'interrupteur de sécurité sur la position On, puis scellez la balance pour empêcher tout accès aux paramètres métrologiques. Scellez la balance selon les règlements locaux de poids et mesure.

Lorsque le commutateur est placé en position marche (ON) sur les modèles FDxxH, les paramètres du menu sont gelés dans leur état actuel.

Pour pouvoir accéder à nouveau aux paramètres de la balance, brisez le sceau et placez l'interrupteur de sécurité sur la position OFF.

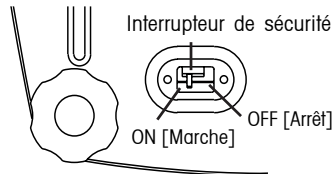
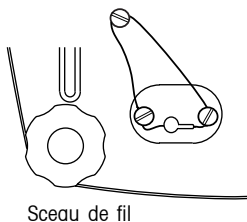


Figure 3-4 Paramètres de l'interrupteur de sécurité.

Sceau de fil

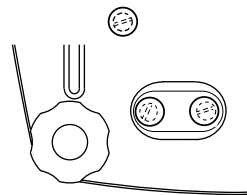
Enlevez les entretoises situées sous les vis taraudées. Passez le fil d'alimentation par les trous taraudés.



Sceau de fil

Sceau en papier

Placez les sceaux en papier sur la vis et l'entretoise de scellement.



Sceau en papier

Figure 3-5 Méthode de scellement.

4 MAINTENANCE

4.1 Étalonnage

Vérifiez l'étalonnage périodiquement en plaçant soit un poids ASTM Classe 4 ou un poids OIML Classe F2 sur la balance et en comparant la lecture aux spécifications. Voir la procédure d'étalonnage de la section 3.7.1.

4.2 Nettoyage

- Déconnectez la balance de l'alimentation électrique pour la nettoyer.
- Le boîtier et le plateau doivent toujours être propres et ne comporter aucun matériau étranger.
- Nettoyez les composants extérieurs de la balance à l'aide d'un tissu doux humide. Utilisez uniquement de l'eau et un détergent doux. N'utilisez pas d'acides, alcalis ou solvants puissants.
- Le pied de nivellement et les coussinets de charge peuvent être dévissés et enlevés aux fins de nettoyage.
- Ne laissez pas de liquides pénétrer dans la balance.
- Enlevez et nettoyez le plateau séparément de la balance.
- Le plateau peut être lavé dans le lave-vaisselle avec des charges normales. Toutes les autres pièces ne doivent pas être placées dans un lave-vaisselle.

4.3 Dépannage

Le tableau suivant présente les problèmes communs, les causes possibles et les solutions. Si le problème persiste, contactez Ohaus ou votre revendeur Ohaus agréé.

TABLEAU 4-1. DÉPANNAGE.

Symptôme	Causes possibles	Solution
La balance ne se met pas en marche.	Alimentation CA n'est pas connectée. La batterie est déchargée.	Branchez la balance. Branchez la balance et chargez la batterie.
L'indicateur de niveau de batterie est bas.	La batterie est déchargée.	Branchez la balance et chargez la batterie.
La batterie ne se charge pas complètement.	La batterie est défectueuse.	Contactez un technicien agréé Ohaus pour remplacer la batterie.
La lecture du poids ne se stabilise pas.	Environnement instable. Interférence sous le plateau.	Assurez-vous que l'environnement est stable. Assurez-vous que le plateau de pesage n'est pas obstrué et qu'il peut se déplacer librement. Changez le paramètre du niveau de la moyenne.
La balance n'affiche pas précisément.	Étalonnage incorrect.	Étalonnez la balance.
Impossible d'étalonner la balance.	L'option d'étalonnage est verrouillée.	Réglez LFT sur OFF dans le Mode Menu. Réglez LCAL sur OFF dans le Mode Menu. Réglez l'interrupteur de sécurité en position d'arrêt.

TABLEAU 4-2. CODES D'ERREUR.

Code d'erreur	Cause	Solution
Err 1 (Surcharge)	La charge dépasse la capacité.	Réduisez la charge.
Err 2 (Sous-charge)	Pas de plateau.	Installez le plateau et appuyez ensuite sur le bouton zéro.
Err 9 (Erreur de la somme de contrôle)	Erreur de la somme de contrôle des données de configuration.	Service requis.
Err14 (Erreur de zéro)	La limite de zéro a été dépassée pendant la mise sous tension.	Enlevez la charge du plateau.
Err 21 (Erreur de la somme de contrôle)	Erreur de la somme de contrôle des données d'étalonnage.	Vérifiez les paramètres du menu et réétalonnez. Si l'erreur persiste, vous devez contacter un technicien.
CAL E (Erreur d'étalonnage)	Valeurs utilisées pour le poids d'étalonnage erronées.	Étalonnez à l'aide des poids d'étalonnage corrects.

4.4 Informations relatives au service

Si la section de dépannage ne vous aide pas à résoudre votre problème ou ne le décrit pas, contactez un technicien agréé Ohaus. Pour toute assistance aux États-Unis et au Canada, prière de contacter le service après-vente Ohaus Corporation au numéro gratuit suivant (800) 526-0659 de 8h00 à 17h00 (Heure de l'Est). Un expert des produits Ohaus se tient à votre disposition pour répondre à vos questions.

4.5 Accessoires

Description

Interrupteur au pied

Référence

71169633

5 DONNÉES TECHNIQUES

5.1 Schémas

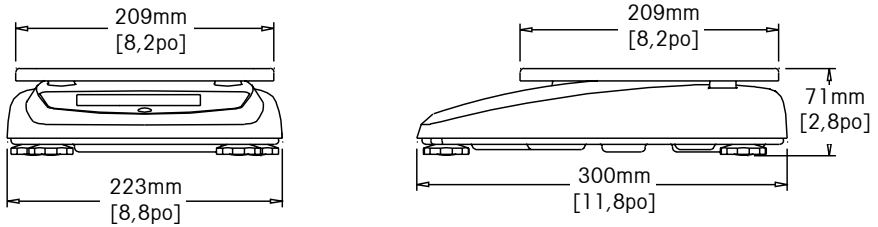


Figure 5-1. Dimensions de la balance.

5.2 Spécifications

Les spécifications entrent en vigueur dans les conditions ambiantes suivantes :

Plage de température : de -10 à 40 °C

Humidité atmosphérique : Humidité relative maximum à 80 % avec des températures jusqu'à 31°C qui diminuent linéairement à une humidité relative de 50 % avec des températures à 40 °C.

Catégorie surtension : II

Degrés de pollution : 2

Altitude maximale : 4000 m au-dessus du niveau de la mer

TABLEAU 5-1. SPÉCIFICATIONS.

Modèle	FD3	FD6	FD15
Capacité x Précision (Max x d non-approuvé)	3 kg x 0,0005 kg 3000 g x 0,5 g 6 lb x 0,001 lb 96 oz x 0,02 oz 96 oz x 1/4 oz 6 lb 0 oz x 0,1 oz 6 lb 0 oz x 1/4 oz	6 kg x 0,001 kg 6000 g x 1 g 15 lb x 0,002 lb 240 oz x 0,05 oz 240 oz x 1/4 oz 15 lb 0 oz x 0,1 oz 15 lb 0 oz x 1/4oz	15 kg x 0,002 kg 15000 g x 2 g 30 lb x 0,005 lb 480 oz x 0,1 oz 480 oz x 1/4 oz 30 lb 0 oz x 0,1 oz 30 lb 0 oz x 1/4 oz
Résolution affichée maximale	1:6000	1:7500	1:7500
Capacité x Précision (Max x e approuvé)	3 kg x 0,001 kg 3000 g x 1 g 6 lb x 0,002 lb 96 oz x 0,05 oz 96 oz x 1/4 oz	6 kg x 0,002 kg 6000 g x 2 g 15 lb x 0,005 lb 240 oz x 0,1 oz 240 oz x 1/4 oz	15 kg x 0,005 kg 15000 g x 5 g 30 lb x 0,01 lb 480 oz x 0,2 oz 480 oz x 1/4 oz
Résolution approuvée	1:3000	1:3000	1:3000
Répétabilité	0,001 kg	0,002 kg	0,005 kg
Linéarité	±0,001 kg	±0,002 kg	±0,005 kg
Unités de pesage	kg, g, lb, oz (décimal ou fractionnel), lb:oz (décimal ou fractionnel oz)		
Affichage du poids	5 chiffres, 7 segments, hauteur des chiffres de 19 mm, affichage LCD rétroéclairé (avec onze fractionnelle et indicateur du niveau de la batterie)		
Clavier	4 boutons tactiles		
Modes d'application	Pesage, pesage de contrôle, %		
Indication de pesage de contrôle	3 LED (jaune, vert, rouge) avec téléavertisseur d'alerte configurable		
Alimentation	Adaptateur CA, 9-12 VCC, 0,5-0,8 A Batterie au plomb scellée rechargeable interne		
Vie utile type de la batterie	120 heures avec temps de recharge de 15 heures		
Plage tare	À la capacité par soustraction		
Temps de stabilisation	Dans les 2 secondes		
Suivi auto-zéro	Arrêt, 0,5 ; 1 ou 3 divisions		
Plage de température de fonctionnement	-10 °C à 40 °C / 14 °F à 104 °F		
Plage de température d'entreposage	-40 °C à 70 °C / -40 °C à 158 °C		
Plage de température approuvée	0 °C à 40 °C / 32 °C à 104 °F		
Protection	IP43		
Construction	Boîtier et plate-forme en acier inoxydable 304		
PDimension plateau (profondeur x largeur)	209 x 209 mm / 8,2 x 8,2 po		
Dimensions de la balance (prof. x larg x haut)	300 x 223 x 71 mm / 9 x 12 x 2,8 po		
Dimensions d'expédition (prof. x larg x haut)	400 x 320 x 185mm / 15,8 x 12,6 x 7,3 po		
Poids de la balance	3,6kg / 8,0 lb		
Poids à l'expédition	5 kg / 11 lb		

Remarque : les spécifications du produit sont sujettes à des modifications du fabricant sans préavis.

TABLEAU 5-2. SPÉCIFICATIONS.

Modèle	FD3H	FD6H	FD15H
Capacité x Précision (Max x d non-approuvé)	3 kg x 0,0001 kg 3000 g x 0,1 g 6 lb x 0,0002 lb 96 oz x 0,005 oz 96 oz x 1/4 oz 6 lb 0 oz x 0,1 oz 6 lb 0 oz x 1/4 oz	6 kg x 0,0002 kg 6000 g x 0,2 g 15 lb x 0,001 lb 240 oz x 0,01 oz 240 oz x 1/4 oz 15 lb 0 oz x 0,1 oz 15 lb 0 oz x 1/4oz	15 kg x 0,001 kg 15000 g x 1 g 30 lb x 0,001 lb 480 oz x 0,02 oz 480 oz x 1/4 oz 30 lb 0 oz x 0,1 oz 30 lb 0 oz x 1/4 oz
Résolution affichée maximale	1:6000	1:7500	1:7500
Répétabilité	0,001 kg	0,002 kg	0,005 kg
Linéarité	±0,001 kg	±0,002 kg	±0,005 kg
Unités de pesage	kg, g, lb, oz (décimal ou fractionnel), lb:oz (décimal ou fractionnel oz)		
Affichage du poids	5 chiffres, 7 segments, hauteur des chiffres de 19 mm, affichage LCD rétroéclairé (avec onze fractionnelle et indicateur du niveau de la batterie)		
Clavier	4 boutons tactiles		
Modes d'application	Pesage, pesage de contrôle, %		
Indication de pesage de contrôle	3 LED (jaune, vert, rouge) avec téléavertisseur d'alerte configurable		
Alimentation	Adaptateur CA, 9-12 VCC, 0,5-0,8 A Batterie au plomb scellée rechargeable interne		
Vie utile type de la batterie	120 heures avec temps de recharge de 15 heures		
Plage tare	À la capacité par soustraction		
Temps de stabilisation	Dans les 2 secondes		
Suivi auto-zéro	Arrêt, 0,5 ; 1 ou 3 divisions		
Plage de température de fonctionnement	-10 °C à 40 °C / 14 °F à 104 °F		
Plage de température d'entreposage	-40 °C à 70 °C / -40 °C à 158 °C		
Plage de température approuvée	0 °C à 40 °C / 32 °C à 104 °F		
Protection	IP43		
Construction	Boîtier et plate-forme en acier inoxydable 304		
PDimension plateau (profondeur x largeur)	209 x 209 mm / 8,2 x 8,2 po		
Dimensions de la balance (prof. x larg x haut)	300 x 223 x 71 mm / 9 x 12 x 2,8 po		
Dimensions d'expédition (prof. x larg x haut)	400 x 320 x 185mm / 15,8 x 12,6 x 7,3 po		
Poids de la balance	3.6kg / 8,0 lb		
Poids à l'expédition	5 kg / 11 lb		

Remarque : les spécifications du produit sont sujettes à des modifications du fabricant sans préavis.

GARANTIE LIMITÉE

Ohaus garantit que ses produits sont exempts de défauts matériels et de fabrication à compter de la date de livraison pendant toute la durée de la garantie. Selon les termes de cette garantie, Ohaus s'engage sans frais de votre part à réparer, ou selon son choix, remplacer toutes les pièces déterminées défectueuses, sous réserve que le produit soit retourné, frais payés d'avance, à Ohaus.

Cette garantie n'entre pas en vigueur si le produit a subi des dommages suite à un accident ou une utilisation erronée, ait été exposé à des matériaux radioactifs ou corrosifs, contienne des matériaux étrangers ayant pénétré à l'intérieur ou suite à un service ou une modification apportée par des techniciens autres que Ohaus. À la place de la réception de la carte d'enregistrement de garantie dûment remplie, la période de garantie commence à la date de l'expédition au revendeur agréé. Aucune autre garantie expresse ou implicite n'est offerte par Ohaus Corporation. En aucun cas, Ohaus Corporation ne peut être tenu responsable des dommages indirects.

Dans la mesure où les lois régissant les garanties varient d'un état à l'autre et d'un pays à l'autre, veuillez contacter votre représentant local agréé Ohaus pour de plus amples informations.



Ohaus Corporation
19A Chapin Road
P.O. Box 2033
Pine Brook, NJ 07058, USA
Tel: (973) 377-9000
Fax: (973) 944-7177

With offices worldwide / Con oficinas en todo el mundo / Bvreaux dans le monde entier.
www.ohaus.com

© Ohaus Corporation 2007, all rights reserved / todos los derechos reservados / tous droits réservés.



* 8 0 2 5 1 0 0 5 *

P/N 80251005 A Printed in China / Impreso en la China / Imprimé en Chine