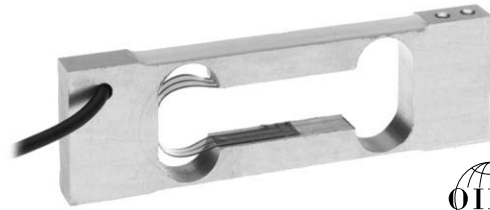


Aluminum Single-Point Load Cell

FEATURES

- Capacities 0.3–3 kg
- Aluminum construction
- Single-point 200 x 200 mm platform
- IP66 protection
- Total error better than 0.0067% of R.O.
- OIML approved



APPLICATIONS

- Low capacity scales
- Precision scales
- Jewelry scales
- Pharmaceutical scales

This load cell is suitable for applications including jewelry scales, analytical balances, medical equipment, medical and pharmaceutical research and low-level force measurement.

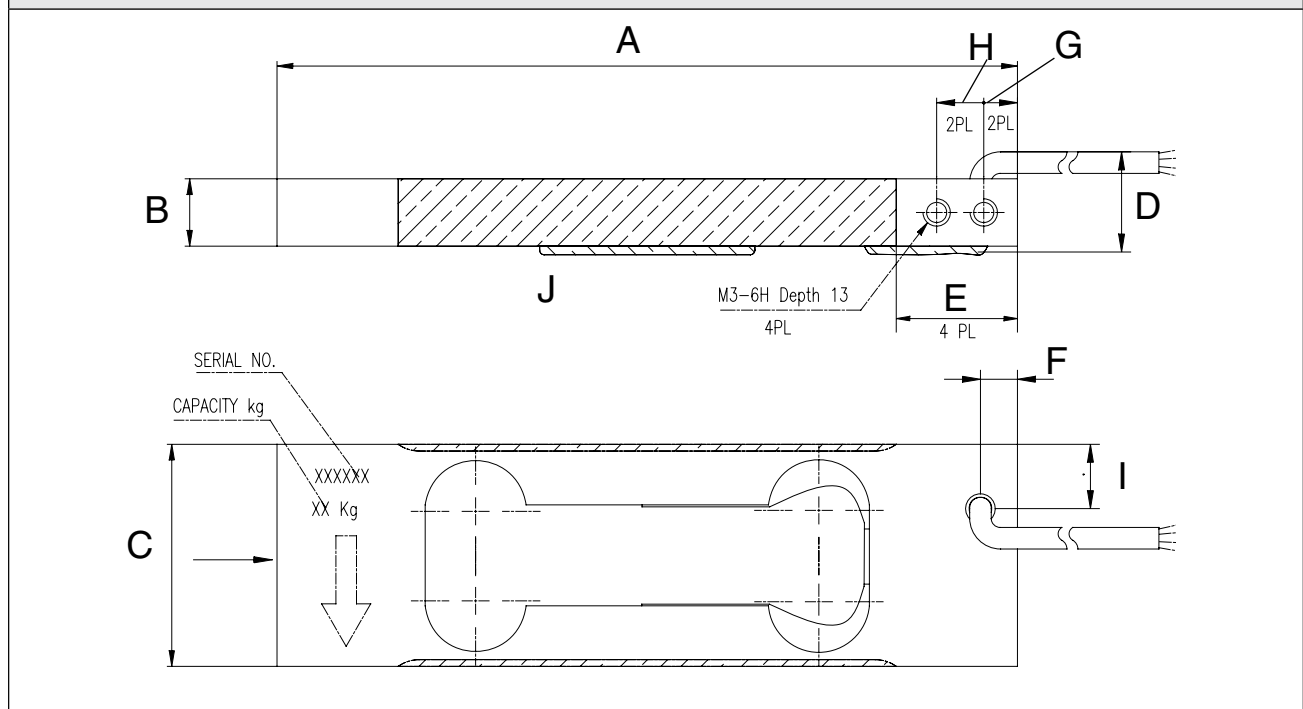
The Model 1004 offers up to 30000 divisions short-term precision at stable room temperature. A special two-stage humidity resistant protective coating assures long-term reliability.

DESCRIPTION

Model 1004 is a very low capacity, very high precision single-point load cell designed for direct mounting in low capacity scales and precision balances.

An overload protection device can be easily included in the application design. A threaded hole is provided in the loading end of the load cell for this purpose.

OUTLINE DIMENSIONS



Dimensions in inches

Capacity	A	B	C	D	E	F	G	H	I	J
0.3kg-3kg	4.33	0.39	1.30	0.59	0.71	0.21	0.19	0.27	3.13	M3-6H

Aluminum Single-Point Load Cell

SPECIFICATIONS					
PARAMETER	VALUE				UNIT
Accuracy class	C3	GW	HW	JW	
Rated capacity—R.C. (E _{max})	0.3, 0.6, 1.2, 1.5, 3.0				kg
Rated output—R.O.	0.9				mV/V
Rated output tolerance	0.1				±mV/V
Zero balance	0.04				±mV/V
Zero return, 2 minutes		0.01	0.0055	0.0033	±% of applied load
Zero return, 30 minutes	0.017				±% of applied load
Total error (per OIML R60)	0.02	0.01	0.0067	0.0067	±% of rated load
Temperature effect on zero	0.004	0.004			±% of rated output/°C
Temperature effect on output	0.001	0.002			±% of load/°C
Eccentric loading error		0.0033			±% of rated load/cm
Temperature range, compensated		+5 to +45			°C
Temperature range, safe		-30 to +70			°C
Maximum safe central overload		150			% of R.C.
Ultimate central overload		250			% of R.C.
Excitation, recommended		10			VDC or VAC RMS
Excitation, maximum		15			VDC or VAC RMS
Input impedance		415 ±20			Ω
Output impedance		350±3			Ω
Insulation resistance		>2000			MΩ
Humidity range, safe		<60			%
Cable length		0.4			m
Cable type		4 wire, PVC, spiral shield			
Construction		Aluminum			
Environmental protection		IP66			
Platform size (max)		200 x 200			mm
Recommended torque		2.0			N*m
Humidity Range, Safe		<60			%

All specifications subject to change without notice.

WIRING SCHEMATIC DIAGRAM
(Balanced bridge configuration)

