

FAIRBANKS®

PORTABLE MECHANICAL BEAM SCALE 1124 SERIES



Fairbanks' 1124 Series is a rugged and economical beam scale for industrial and commercial, general utility weighing. Its large platform and 1,000 pound capacity make it the ideal scale for a variety of applications.



PERFORMANCE SPECIFICATIONS

Capacity	1000 x 0.5 lbs.
Platform size	23.5" x 17.75"
Construction	Cast Iron
Wheels	5.0" diameter, cast iron
Column	Fabricated steel
Beam	Chrome-plated with brass inset; large, easy-to-read graduations
Units	Pounds or Kilograms
Approvals	NTEP COC# 88-266: Canadian Weights and Measures #AM-4657

RUGGED AND LONG LASTING

The base, lever system and platform are all made of durable cast iron, providing exceptional accuracy and reliability over many years of service, with virtually no maintenance.

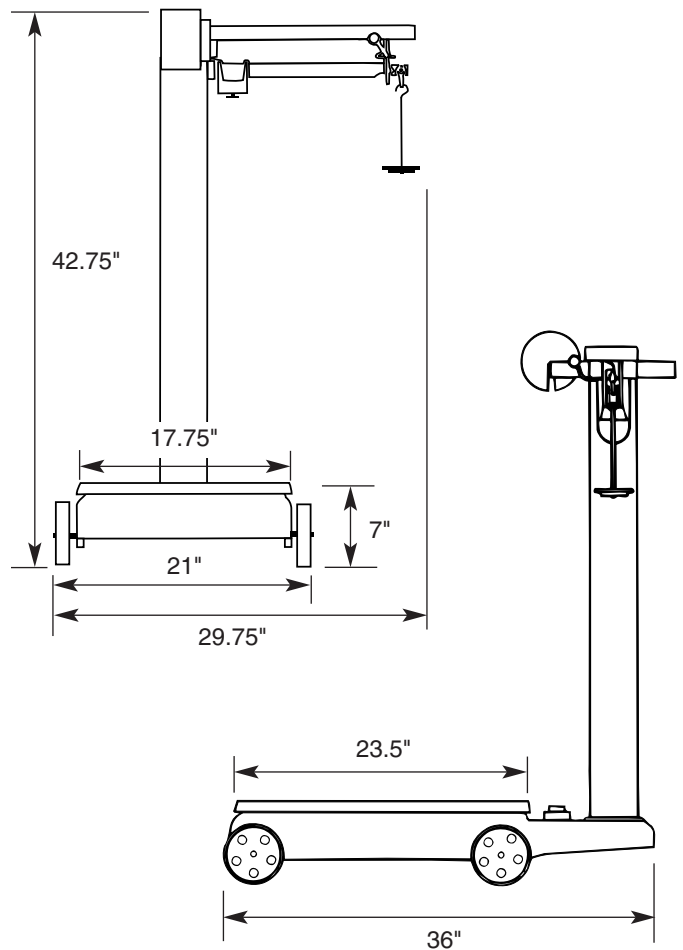
APPLICATIONS

- Intrinsically safe
- Parts distribution
- Material handling
- Inventory management
- Warehousing
- Bag filling

FEATURES

- Cost-effective solution for basic, portable mechanical utility scale applications.
- Mechanical design makes the 1124 Series perfect for all hazardous locations.
- Easy-to-maneuver, even in tight spaces.
- Easy-to-read, chrome-plated beam with brass inset.
- Open-face poise with pointer clearly shows exact weight.
- Set screw holds poise firmly in place when preset.
- NTEP and CWM approved for "Legal for Trade" applications.

DIMENSIONS (in inches)



QuickFacts™

Models and specifications subject to change without notice.
Printed in the USA. © Fairbanks Scales Inc.

Call toll-free for the Fairbanks representative nearest you:

(800) 451-4107

Internet Address: <http://www.Fairbanks.com>