

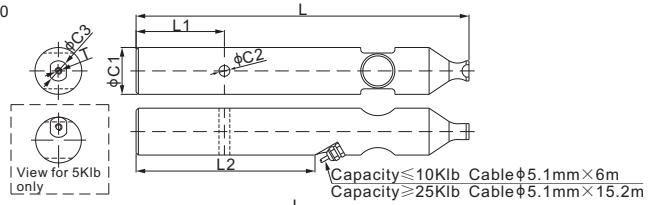
# 563WS; 563WS30



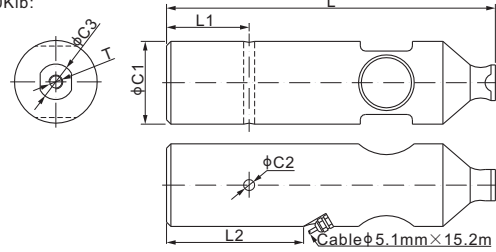
## Stainless Steel



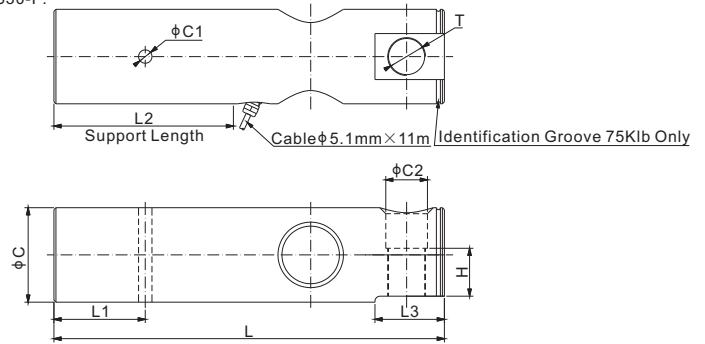
563WS; 563WS30  
563WS30-CG:



563WS30-50Klb:



563WS30-F:



\*: Input 3.0mV/V only

### DIMENSIONS

RATED CAPACITY	C1		C2		C3		L		L1		L2		T
	inch	mm	inch	mm	inch	mm	inch	mm	inch	mm	inch	mm	
<b>563WS:</b>													
1,250 lb	1.25	31.8	0.31	7.9	0.63	16.0	11.50	292.1	3.00	76.2	6.04	153.5	#8-32
2,500	1.62	41.1	0.37	9.4	0.70	17.8	11.50	292.1	3.00	76.2	5.59	142.0	#6-32
5,000	2.00	50.8	0.37	9.4	0.88	22.4	10.88	276.4	3.05	77.5	3.83	97.4	#8-32
10,000	2.50	63.5	0.37	9.4	0.88	22.4	12.63	320.8	3.05	77.5	4.20	106.9	#8-32
25,000	3.50	88.9	0.50	12.7	1.75	44.5	14.88	378.0	3.05	77.5	5.04	128.0	5/16-18 UNC-2B
<b>563WS30:</b>													
37,500 lb	3.50	88.9	0.50	12.7	1.75	44.5	14.88	378.0	3.05	77.5	5.04	128.0	5/16-18 UNC-2B
50,000	3.74	95.0	0.50	12.7	1.61	40.9	14.88	378.0	3.74	95.0	7.05	179.0	5/8-16 UNC-2B
<b>563WS-CG:</b>													
25,000 lb	3.50	88.8	0.50	12.7	1.76	44.7	14.88	378.0	3.66	93.1	7.64	194.1	5/16-18 UNC-2B
<b>563WS30-CG:</b>													
37,500 lb	3.50	88.8	0.50	12.7	1.76	44.7	14.88	378.0	3.66	93.1	7.64	194.1	5/16-18 UNC-2B

### DIMENSIONS


RATED CAPACITY	C		C1		C2		L		L1		L2		L3		H		T
	inch	mm	inch	mm	inch	mm	inch	mm	inch	mm	inch	mm	inch	mm	inch	mm	
<b>563WS30-F:</b>																	
60,000-75,000 lb	3.75	95.2	0.53	13.5	1.65	42.0	15.5	393.7	3.63	92.1	7.13	181.0	2.76	70.0	1.90	48.3	1-1/2-18 UNEF

SPECIFICATIONS			
<b>Full Scale Output</b>	563WS: 2.0 mV/V ± 1% 563WS30: 3.0 mV/V ± 1%	<b>Input Resistance</b>	563WS;563WS30(CG): 350 Ω ± 7 563WS30-F: 375 Ω ± 25
<b>Zero Balance</b>	± 0.02 mV/V	<b>Output Resistance</b>	350 Ω ± 3
<b>Non-linearity</b>	563WS;563WS30(CG): < ± 0.023% 563WS30-F: < ± 0.02%	<b>Recommended Excitation</b>	10V (15V Maximum)
<b>Repeatability</b>	563WS;563WS30(CG): < ± 0.023% 563WS30-F: < ± 0.02%	<b>Insulation Resistance</b>	>2 [ 50V DC ] G Ω
<b>Hysteresis Error</b>	563WS;563WS30(CG): < ± 0.023% 563WS30-F: < ± 0.03%	<b>Compensated Temperature Range</b>	-10°C to 50°C / 14°F to 122°F
<b>Creep in 30 min.</b>	563WS;563WS30(CG): < ± 0.030% 563WS30-F: < ± 0.03%	<b>Safe Overload</b>	150% of full scale
<b>Element Material</b>	2Cr13 Stainless Steel	<b>Breaking Overload</b>	300% of full scale
		<b>Seal Type / IP Rating</b>	Environmentally Sealed / IP67
		<b>Cable Color Code</b>	Exc+ Red      Exc- Black Sig+ Green    Sig- White Shield Bare

Rated Capacity	Part Number*	Weight (lb) Approx.	INTERCHANGEABLE REFERENCE			
			Avery Weigh-Tronix	Coti-Global	Rice Lake	Rice Lake
1.25Klb	563WS-1.25Klb-YZ	4.85	Weigh Bar	CG-WB-SS-1.25Klb	RL75000 SS-1.25Klb	RL32011WB-L-1.25Klb
2.5Klb	563WS-2.5Klb-YZ	6.61	Weigh Bar	CG-WB-SS-2.5Klb	RL75000 SS-2.5Klb	RL32011WB-L-2.5Klb
5Klb	563WS-5Klb-YZ	13.23	Weigh Bar	CG-WB-SS-5Klb	RL75000 SS-5Klb	RL32011WB-L-5Klb
10Klb	563WS-10Klb-YZ	15.43	Weigh Bar	CG-WB-SS-10Klb		RL32011WB-L-10Klb
25Klb	563WS-25Klb-YZ	34.17	Weigh Bar			
25Klb	563WS-25Klb-YZ-CG	34.17	Weigh Bar	CG-WB-SS-25Klb		
37.5Klb	563WS30-37.5Klb-YZ-CG	40.79	Weigh Bar	CG-WB-SS-37.5Klb		
37.5Klb	563WS30-37.5Klb-YZ	40.79	Weigh Bar			
50Klb	563WS30-50Klb-YZ	46.30	Weigh Bar	CG-WB-SS-50Klb-50104		
60Klb	563WS30-F-60Klb-YZ	57.32	55829	CG-WB-SS-60Klb-55829		
75Klb	563WS30-F-75Klb-YZ	57.32	AWT27-500080	CG-WB-SS-75Klb-EZPOST		

\* ATEX, FM, IECEx approved versions carry the "-Ex" suffix.

 563WS30: 10Klb-75Klb: up to NTEP 1:10 000 Class III / III L, Multiple Cell

 563WS30: 25Klb-75Klb: up to OIML MAA C6, Y=25 000

For further definition of P/N's & specifi per NTEP/OIML classes, please contact us.