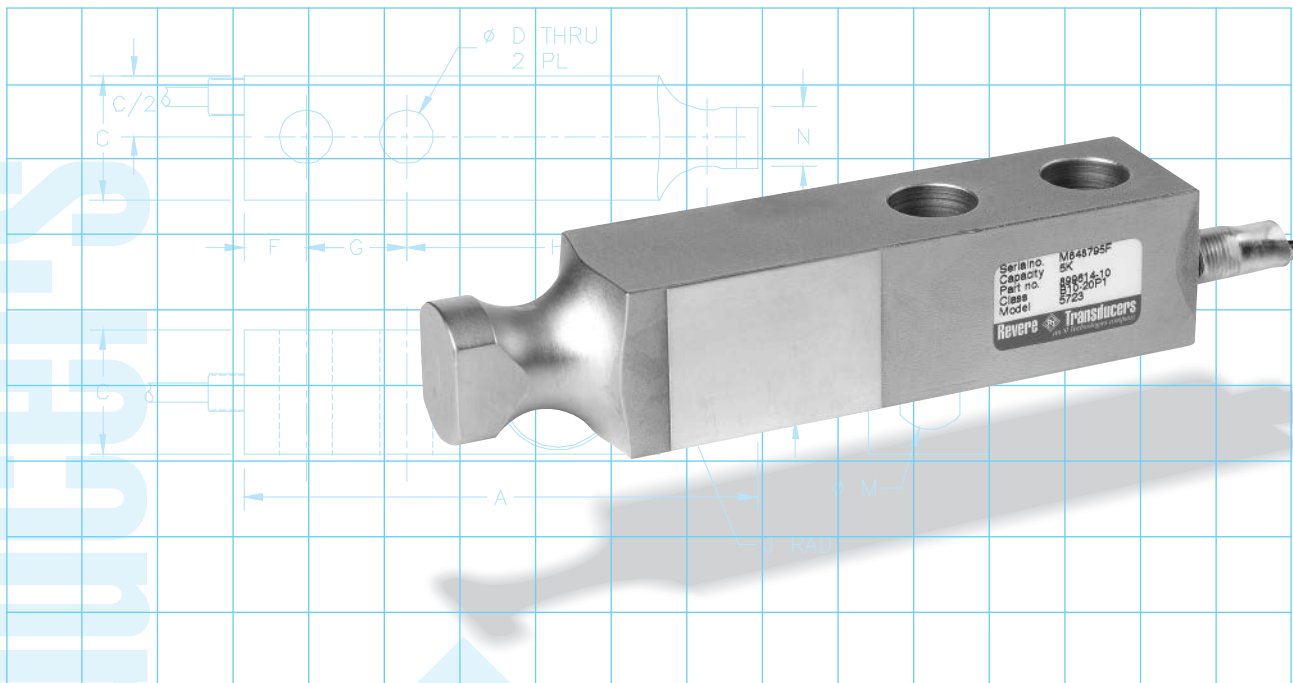


5723 SINGLE ENDED BEAM LOAD CELL



FEATURES:

- Capacities: 1 to 10K lbs
- Sealing: IP67 (DIN 40.050)
- Material: Nickel Plated Steel
- Link nose design

DESCRIPTION:

The 5723 is a Single Ended Shear Beam type load cell. The link nose is specifically designed for platform scales that require some movement during the weighing process.

Installation is made easy using a ring that fits over the link nose and applies the load to the load cell.

A reliable sealing and mechanical protection of the strain gauge area is ensured by the use of potting compound with a metal cover.

APPLICATIONS:

- Platform scales
- Belt scales
- Livestock scales

APPROVALS:



Class III L 10000d



Factory Mutual

5723: SPECIFICATIONS

Parameter	Symbol	Unit of Measure	Specification
			Imperial
Capacities	E_{max}	lb	1K, 1.5K, 2.5K, 4K, 5K, 7.5K, 10K
Accuracy Class			B10
Accuracy Class According to			NTEP Class IIIIL
Potentially Explosive Atmospheres options			Factory Mutual
Maximum number of Verification Intervals	n_{ic}		10000d
Minimum Verification Interval	V_{min}		0.03, 0.05, 0.08, 0.13, 0.16, 0.23, 0.33
Combined Error ¹		±%S	0.02
Creep error (20 minutes)		±%S	0.03
Temperature Effect on Zero	TC_0	±%FS/5°C (°F)	0.0090 (0.0010)
Temperature Effect on Output	TC_S	±%S/5°C (°F)	0.0072 (0.0008)
Rated Output	FS	mV/V	3 ± 0.008
Compensated Temperature Range	T_{cps}	°C (°F)	-10 to +40 (+14 to +104)
Operating Temperature Range	T_{opr}	°C (°F)	-53 to +93 (-65 to +200)
Environmental Protection			IP67
Cable Length		m (ft)	6 (20)
Cable Type			4 Wire Shielded, shield is not connected to load cell body
Zero Balance		±%FS	1.0
Safe Load Limit	E_{lim}	% E_{max}	150
Ultimate Load	E_{ult}	% E_{max}	300
Safe Side Load Limit		% E_{max}	100
Excitation Voltage		Volts AC or DC	10 Recommended, 15 Maximum
Input Resistance		Ohms	350.0 ± 3.5
Output Resistance		Ohms	350.0 ± 3.5
Insulation Resistance at 50 VDC		Mega Ohms	>5000
Element Material		ASTM	Nickel Plated Steel

Notes:

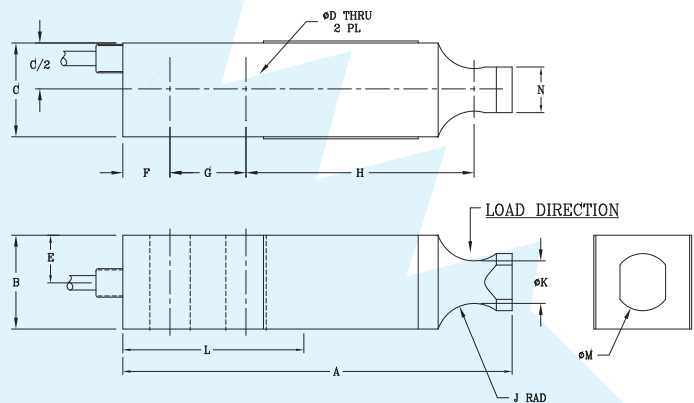
- We continually improve our products and therefore specifications are subject to change without notice.
- The accuracy may be affected if 4-wire load cell cables are shortened.

[1] Includes the effects of Non-Linearity and Hysteresis.

Wiring color code:

Excitation +	Red
Excitation -	Black
Output +	Green
Output -	White
Shield	Transparent

Capacity	Dimensions in inches		
	1K- 5K SE	5K - 15K	20 K
A	5.12	6.75	8.75
B	1.23	1.45	1.95
C	1.23	1.45	1.95
ØD	0.53	0.78	1.06
E ?	0.62	0.73	0.98
F	0.62	0.75	1.00
G	1.00	1.50	2.00
H	3.00	3.75	4.75
J Rad	0.50	0.69	0.95
ØK	0.56	0.69	1.00
L	2.38	3.12	4.00
ØM	0.75	1.25	1.75
N	0.60	1.00	1.30



Attention: All dimension tolerances according to ISO 2768m, unless otherwise specified.

Mounting:

Correct mounting of the load cells is essential to ensure optimum accuracy and performance. Further information is available on request.