

This document is the property of Amphenol Corporation and is delivered on the express condition that it is not to be disclosed, reproduced or used, in whole or in part, for manufacture or sale by anyone other than Amphenol Corporation without its prior consent, & that no right is granted to disclose or to use any information in this document.

REVISIONS				
SYM	ECN	DESCRIPTION	DATE	APPROVED
A	HK	PRELIMINARY RELEASE	07/11/02	Y.M.LEE
B	HK	ADD CHOP OF ROHS	11/28/05	IP

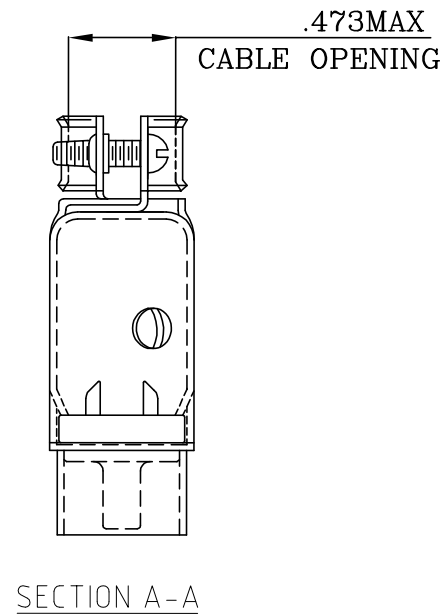
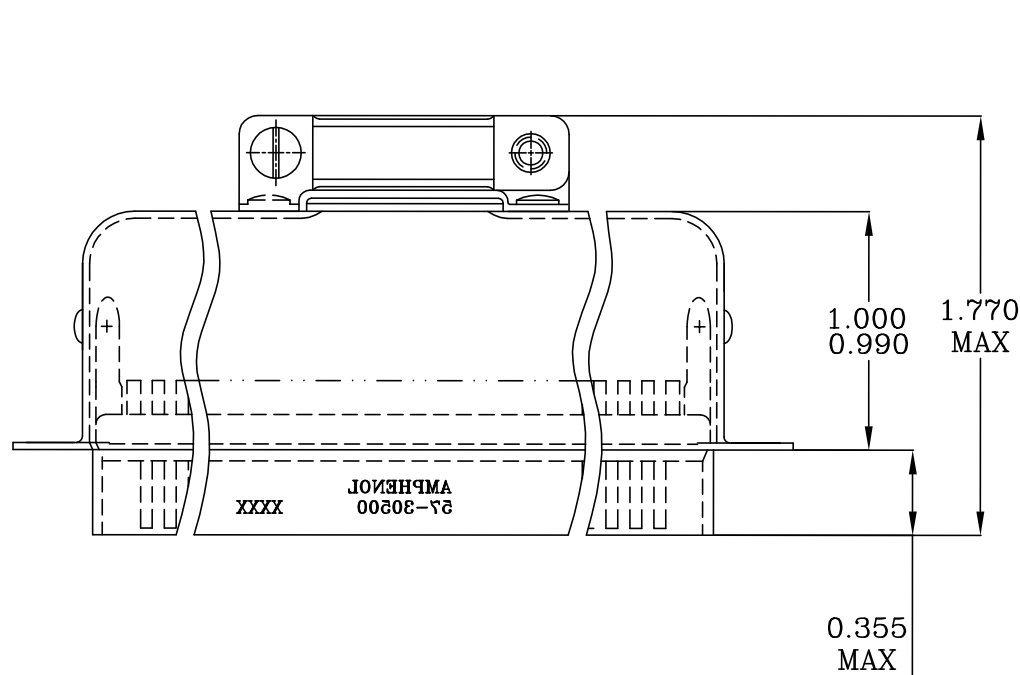
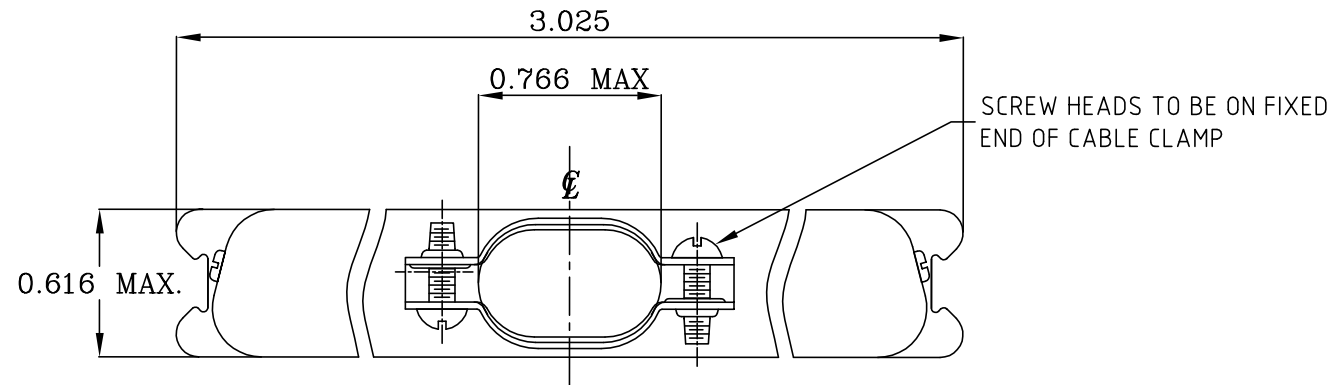


TABLE 1

CONNECTOR SIZES	AVERAGE MATING FORCE (POUNDS)
14	5
24	8
36	12
50	15
64	19

- 11) CONTACT RETENTION FORCE: 2 LBS MAX.
- 12) DURABILITY: 250 CYCLES MIN.
- 13) VIBRATION: NO INTERRUPTIONS < 1u SEC.
- 14) OPERATING TEMPERATURE: -55°C TO +105°C (-67°F TO +221°F)

SPECIFICATIONS:

- 1) SOLDER CUP CONTACT: TO ACCOMMODATE 22-30 AWG SOLID AND 24-30 STRANDED CONNECTOR WIRES.
- 2) DIELECTRIC: DIALYL-PHTHALATE PER MIL-M-14F TYPE MDG UL-94V0
- 3) CONTACT MATERIAL: COPPER ALLOY
- 4) CONTACT: 20 MICRO-INCHES MIN. GOLD MATING AREA: 3-5 MICRO-INCHES GOLD TERMINAL AREA: 50 MICRO-INCHES MIN. NICKEL UNDERPLATING ALL OVER.
- 5) SHELL MATERIAL: ZINC PLATED STEEL WITH CLEAR CHROMATE COATING
- 6) CURRENT CAPACITY: 5 AMPS/CONTACT
- 7) VOLTAGE RATING: 700 VOLTS D.C. AT SEA LEVEL
200 VOLTS D.C. AT 70,000 FEET
- 8) INSULATION RESISTANCE: >5000 M OHM
- 9) DIELECTRIC WITHSTANDING VOLTAGE: 1200 VAC (RMS) AT SEA LEVEL
- 10) CONNECTOR MATING FORCE: REFER TO TABLE 1.

CUSTOMER INFORMATION DRAWING

ITEM NO	PART OR IDENTIFICATION NO	NOMENCLATURE OR DESCRIPTION	QTY REQ'D
PARTS LIST			
UNLESS OTHERWISE SPECIFIED TOLERANCES		APPROVAL	DATE
U.S. METRIC		DRAWN XS.GUO	12/05/05
.X +/- 0.020		CHECKED	
.XX +/- 0.010		CHECKED	
.XXX +/- 0.005			
FRACTIONS +/-			
ANGLES +/- 1°			
FOR MATERIALS AND FINISHES SEE NOTES		DRAWING FILE :	
REMOVE SHARP EDGES		\DRAWING\157\C5730500.DWG	
DIMENSIONS		ANGLE OF PROJECTION	
U.S.	INCHES		
-(METRIC)-	-(MM)-		
		SIZE	DRAWING NO.
		A3	C57-30500
		SCALE	NONE
		SHEET 1 OF 1	
		REV.	B

Amphenol

TITLE 50 CONTACT SIZE MICRORIBBON CABLE MOUNT PLUG ASSEMBLY

SCALE NONE SHEET 1 OF 1

This document is the property of Amphenol Corporation and is delivered on the express condition that it is not to be disclosed, reproduced or used, in whole or in part, for manufacture or sale by anyone other than Amphenol Corporation without its prior consent, & that no right is granted to disclose or to use any information in this document.

REVISIONS				
SYM	ECN	DESCRIPTION	DATE	APPROVED
A	HK	PRELIMINARY RELEASE	12/05/02	Y.M.LEE
B	HK#	ADD CHOP OF ROHS	2/16/06	IP

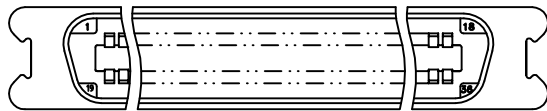
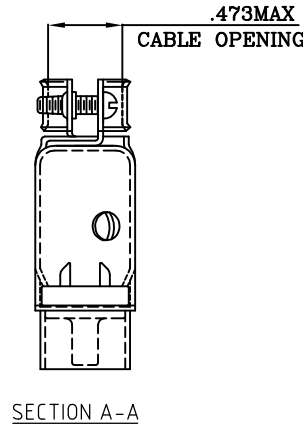
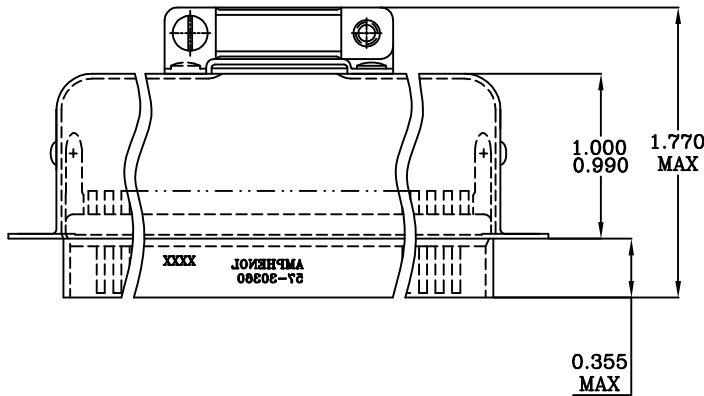
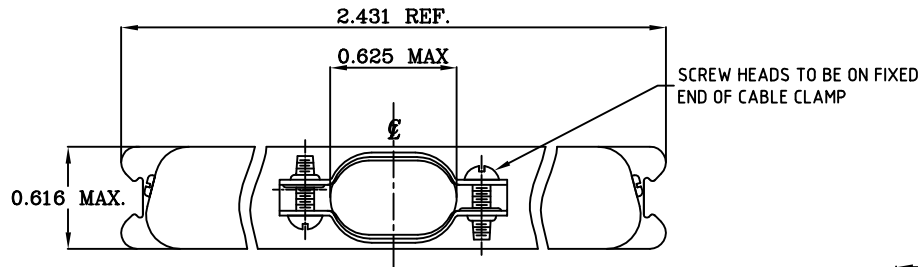


TABLE 1

CONNECTOR SIZES	AVERAGE MATING FORCE (POUNDS)
14	5
24	8
36	12
50	15
64	19

SPECIFICATIONS:

- 1) SOLDER CUP CONTACT: TO ACCOMMODATE 22-30 AWG SOLID AND 24-30 STRANDED CONNECTOR WIRES.
- 2) DIELECTRIC: DIALYL-PHTHALATE PER MIL-M-14F TYPE MDG UL-94V0
- 3) CONTACT MATERIAL: COPPER ALLOY
- 4) CONTACT: 20 MICRO-INCHES MIN. GOLD MATING AREA: 3-5 MICRO-INCHES GOLD TERMINAL AREA: 50 MICRO-INCHES MIN. NICKEL UNDERPLATING ALL OVER.
- 5) SHELL MATERIAL: ZINC PLATED STEEL.
- 6) CURRENT CAPACITY: 5 AMPS/CONTACT
- 7) VOLTAGE RATING: 700 VOLTS D.C. AT SEA LEVEL
200 VOLTS D.C. AT 70,000 FEET
- 8) INSULATION RESISTANCE: >5000 M OHM

- 9) DIELECTRIC WITHSTANDING VOLTAGE: 1200 VAC (RMS) AT SEA LEVEL
- 10) CONNECTOR MATING FORCE: REFER TO TABLE 1.
- 11) CONTACT RETENTION FORCE: 2 LBS MAX.
- 12) DURABILITY: 250 CYCLES MIN.
- 13) VIBRATION: NO INTERRUPTIONS < 1u SEC.
- 14) OPERATING TEMPERATURE: -55°C TO +105°C (-67°F TO +221°F)

CUSTOMER INFORMATION DRAWING

ITEM NO	PART OR IDENTIFICATION NO	NOMENCLATURE OR DESCRIPTION	QTY REQ'D
UNLESS OTHERWISE SPECIFIED TOLERANCES		PARTS LIST	
U.S. METRIC		APPROVAL	DATE
.X +/- 0.020		DRAWN XS.GUO	2/16/06
.XX +/- 0.010		CHECKED	
.XXX +/- 0.005		CHECKED	
FRACTIONS +/-		DRAWING FILE : \DRAWING\157\C5730360.DWG	
ANGLES +/- 1°		TITLE 36 CONTACT SIZE MICRORIBBON CABLE MOUNT PLUG ASSEMBLY	
FOR MATERIALS AND FINISHES SEE NOTES		SIZE DRAWING NO. A3 C57-30360	
REMOVE SHARP EDGES		SCALE NONE SHEET 1 OF 1	
DIMENSIONS		REV. A	
U.S. INCHES			
-(METRIC)- (MM)-			

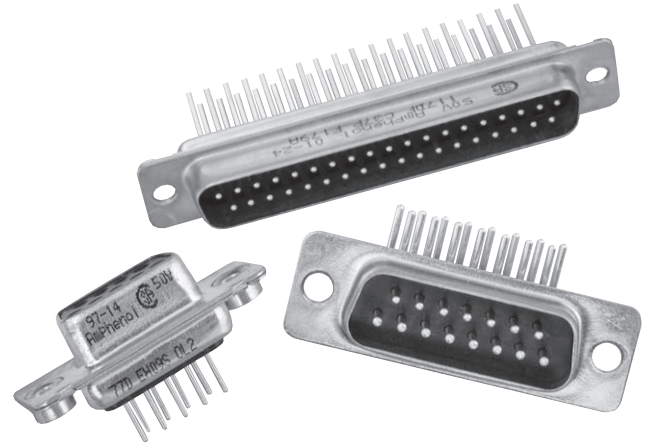
DE-09P & DE-09S

- Standards:
- UL File: E119881
 - Connectors according to MIL C24308

SPECIFICATIONS :

MATERIALS AND PLATINGS

Shells	Steel yellow chromated over zinc or tinned steel with or without dimples on plug connector
Insulator	Glass-filled thermoplastic, UL 94V-0
Rear Insert	Brass, 118 μ " up to 197 μ " (3 μ m up to 5 μ m) tinned over nickel 78 μ " up to 118 μ " (2 μ m up to 3 μ m)
Boardlock	Tin-lead plating 157 μ " up to 236 μ " (4 μ m up to 6 μ m) over nickel
Screwlock	78 μ " up to 118 μ " (2 μ m up to 3 μ m) Brass, 236 μ " up to 394 μ " (6 μ m up to 10 μ m) tinned over nickel 78 μ " up to 118 μ " (2 μ m up to 3 μ m)
Contacts	D: brass DF: pin = brass Socket = copper alloy
Right Angle Version	Selective gold in mating area over 78 μ " up to 118 μ " (2 μ m up to 3 μ m) nickel; 118 μ " up to 197 μ " (3 μ m up to 5 μ m) tin-lead on termination area over 78 μ " up to 118 μ " (2 μ m up to 3 μ m) nickel
Straight Version	Full gold plating over 78 μ " up to 118 μ " (2 μ m up to 3 μ m) nickel



ELECTRICAL DATA

Current Rating	7.5 A
Voltage Rating	300 V AC/rms 50Hz
Withstanding Voltage	1000V AC/rms 50Hz for one minute
Insulation Resistance	5000M Ω
Contact Resistance	D: 8.5m Ω max. DF: 5m Ω max.

CLIMATIC DATA

Operating Temperature	D: -67 °F (-55 °C) to +185 °F (85 °C), peak at 257 °F (125 °C) DF: -67 °F (-55 °C) to + 257 °F (125 °C)
-----------------------	---

MECHANICAL DATA

No. of Contacts	Mate (max.)	Unmate (min.)
9 (size E)	6.74 (3.05)	0.79 (0.36)
15 (size A)	11.24 (5.09)	1.01 (0.46)
25 (size B)	18.66 (8.44)	1.8 (0.81)
37 (size C)	27.65 (12.51)	2.47 (1.1)
50 (size D)	32.38 (14.65)	3.56 (1.6)

DE-09P & DE-09S

TECHNICAL DATA

" D " SUBMINIATURE CONNECTORS

SHELL :

BODY : Glass filled thermoplastic
Flame retardant to UL 94 V-0
Colour : black

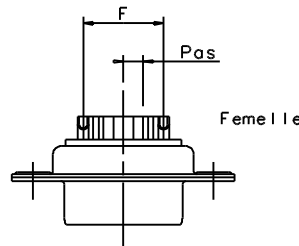
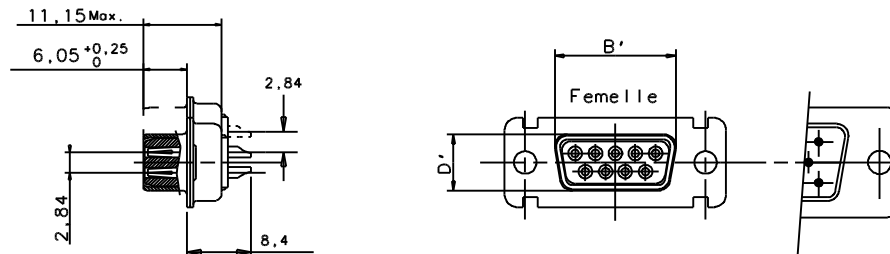
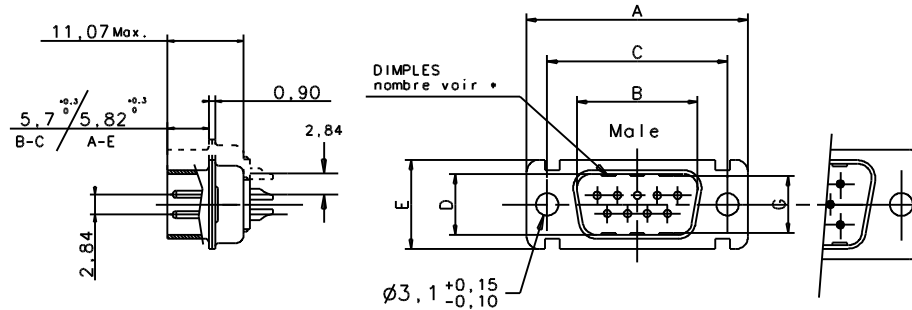
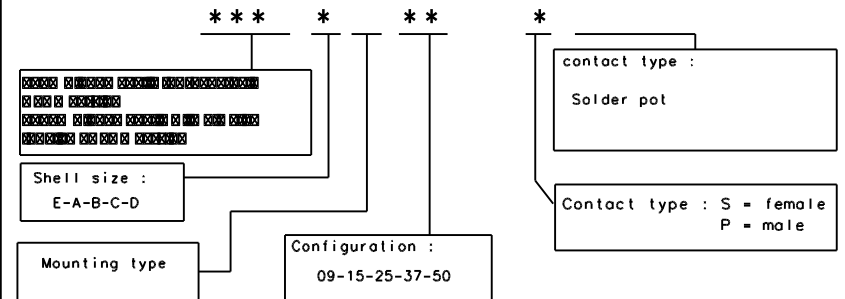
CONTACTS

ELECTRICAL Voltage rating 300 V Rms to 50Hz
Nominal current 7.5 A (size20)
Voltage proof >1000 V Rms to 50 Hz
Contact resistance <8.5m Ohms
Insulator resistance >5000 M Ohms

CLIMATIC Temperature range -55°C +85°C
Damp heat 21 days (40°C - 95 % RH)

MECHANICAL Insertion force per contact 1,2N < F < 2,5 N
Extraction force per contact 0,4 N mini
Mating and unmating force size E 30N maxi 3,5N mini
A 50N maxi 4,5N mini
B 83N maxi 8,0N mini
C 123N maxi 11N mini
D 166N max 14,5N mini
(With or without dimples)

MARKING Amphenol - ... (serie number)
Commercial reference
Manufacturing date



17D-80

N CLIENT

N OUTIL

N ETUDE

DATE DU TIRAGE

taille boîtier	A	B'	B	C	D'	D	E	F ±0,05	Pas	G	*
E	5,7	16,4	16,7	24,5	3,1	3,4	12,9	10,98	2,74	7,62	2x3
A	5,7	24,7	24,7	24,5	3,1	3,4	12,9	19,20	2,74	7,62	2x5
B	5,7	24,7	24,7	24,5	3,1	3,4	12,9	33,12	2,76	7,62	2x8
C	5,7	24,7	24,7	24,5	3,1	3,4	12,9	49,68	2,76	7,62	2x12
D	5,7	24,7	24,7	24,5	3,1	3,4	12,9	44,20	2,76	10,5	2x12

Amphenol Socapex
Usine de Dole

ECHELLE: 1:5

PLAN NOTICE



Creation plan 14/01/98

IND. MODIFICATION DATE Exe Approv

N SERIE DESIGNATION

017F

a souder / solder pot

17D++++



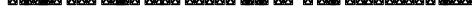
DE-09P & DE-09S

TECHNICAL DATA

" D " SUBMINIATURE CONNECTORS

SHELL :  

BODY : Glass filled thermoplastic
Flame retardant to UL 94 V-0
Colour : black

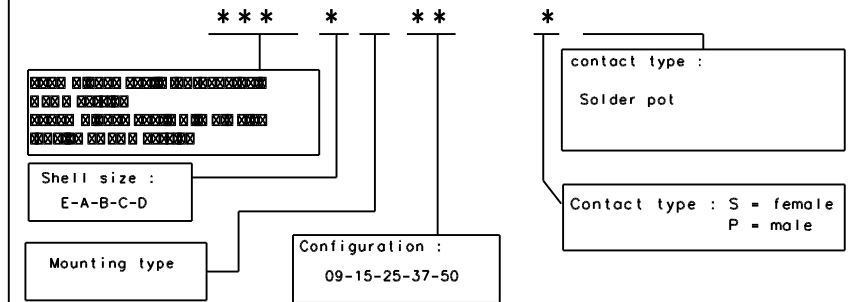
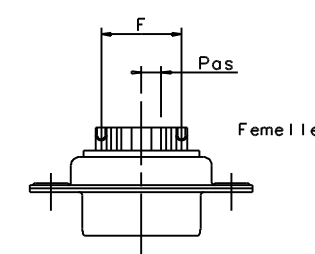
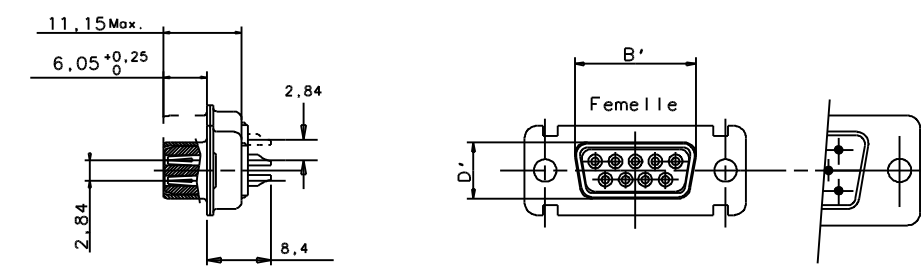
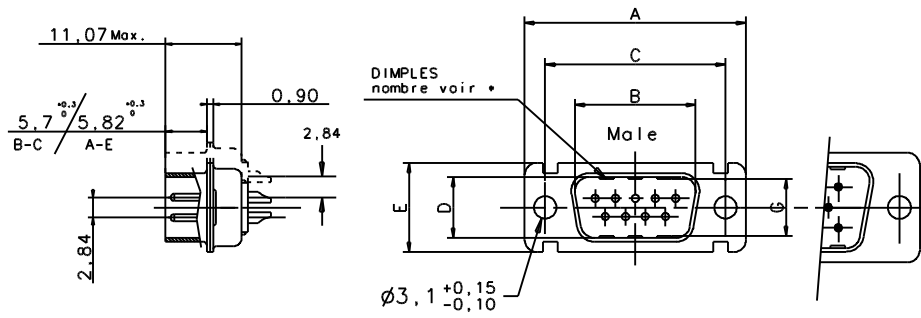
CONTACTS   

ELECTRICAL Voltage rating 300 V Rms to 50Hz
Nominal current 7.5 A (size20)
Voltage proof >1000 V Rms to 50 Hz
Contact resistance <8.5m Ohms
Insulator resistance >5000 M Ohms

CLIMATIC Temperature range -55°C +85°C
Damp heat 21 days (40°C - 95 % RH)

MECHANICAL Insertion force per contact 1,2N < F < 2,5 N
Extraction force per contact 0,4 N mini
Mating and unmating force size E 30N maxi 3,5N mini
A 50N maxi 4,5N mini
B 83N maxi 8,0N mini
C 123N maxi 11N mini
D 166N maxi 14,5N mini
(With or without dimples)

MARKING Amphenol - ... (serie number)
Commercial reference
Manufacturing date



taille boîtier	A	B'	B	C	D'	D	E	F ±0,05	Pas	G	*
E	11,1	16,4	17,0	22,2	27,7	28,4	33,3	10,98	2,74	7,62	2x3
A	10,4	16,2	17,0	22,2	27,7	28,4	33,3	19,20	2,74	7,62	2x5
B	10,4	16,2	17,0	22,2	27,7	28,4	33,3	33,12	2,76	7,62	2x8
C	10,4	16,2	17,0	22,2	27,7	28,4	33,3	49,68	2,76	7,62	2x12
D	10,4	16,2	17,0	22,2	27,7	28,4	33,3	44,20	2,76	10,5	2x12

Amphenol Socapex
Usine de Dole

ECHELLE: 1:5

PLAN NOTICE

DOSSIER:

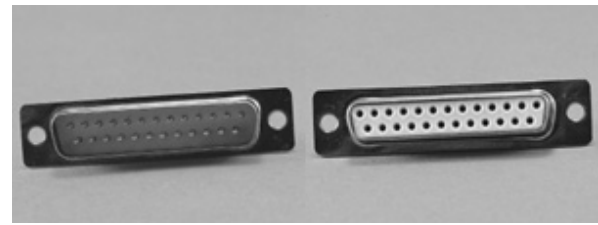
Creation plan 14/01/98 Quere

IND. MODIFICATION DATE Execu Approut

N SERIE 017F DESIGNATION a souder / solder pot 17D++++

17D-80
DATE DU TIRAGE
N CLIENT
N OUTIL
N ETUDE

DA-15P & DA-15S



Features:

Solder Cup style for wire termination.

- ▣ Offered with .120 mounting holes, 4-40 clinch nuts, and dual float bushings.
- ▣ Offered in 9, 15, 25, 37, and 50 position plugs and sockets.
- ▣ Available with gold flash.
- ▣ RoHS version available
- ▣ Approvals:
 - ▣ UL Recognized - Files E170218 (UL1977) and E130965 (UL1863).
 - ▣ CSA Approved - File LR31996.

Materials:

Insulator Material: Glass-filled polyester (white), UL 94V-O rated

Connector Shell: Steel with zinc plating and yellow chromate finish or tin plating (grounding indents on plug), RoHS zinc plated with clear chromate

4-40 Clinch Nut: Steel with cadmium plating and yellow chromate finish. RoHS zinc plating with clear chromate finish.

Mechanical:

Individual Contact Insertion and Separation Force (minimum/maximum): 0.7 oz./12 oz.

Durability: 500 mating cycles

Electrical:

Withstanding Voltage: Minimum 1250V RMS @ sea level

Current Rating: 5 Amps

Contact Resistance: 2.7 milliohms maximum

Insulation Resistance: 5000 megohms maximum (initial); 1000 megohms (minimum) after environmental testing

Environmental:

Operating Temperature: -65°C to + 125°C

Shock: 50G peak per MIL-STD-202, Method 213, Condition G

Vibration: 12 cycles in three perpendicular directions @ 10-2000Hz, per MIL-STD-202, Method 204, Condition D

Moisture Resistance: 90-95% relative humidity @ 40°C for 96 hours per MIL-STD-202, Method 103

DB-25P & DD-50P

FEATURES

- Offered in Wire Wrap and Solder Cup styles for wire termination and vertical style for PCB mount.
- Offered with .120 mounting holes, 4-40 clinch nuts, and dual float bushings.
- Offered in 9, 15, 25, 37, and 50 position plugs and sockets.
- Available with gold flash or 30µin. gold plating.
- Approvals:
 - UL Recognized - Files E170218 (UL1977) and E130965 (UL1863).
 - CSA Approved - File LR31996.
- See pages 4-5 thru 4-10 for standard dimensions, contact arrangements, and panel mounting specifications.

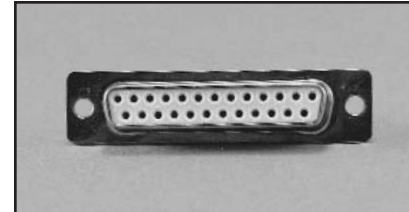
MATERIALS

Insulator Material: Glass-filled polyester (white), UL 94V-O rated
Connector Shell: Steel with zinc plating and yellow chromate finish or tin plating (grounding indents on plug)
4-40 Clinch Nut: Steel with cadmium plating and yellow chromate finish
Dual Float Bushing: Stainless steel, passivated



ENVIRONMENTAL

Operating Temperature: -65°C to + 125°C
Shock: 50G peak per MIL-STD-202, Method 213, Condition G
Vibration: 12 cycles in three perpendicular directions @ 10-2000Hz, per MIL-STD-202, Method 204, Condition D
Moisture Resistance: 90-95% relative humidity @ 40°C for 96 hours per MIL-STD-202, Method 103



ELECTRICAL

Withstanding Voltage: Minimum 1250V RMS @ sea level
Current Rating: 5 Amps
Contact Resistance: 2.7 milliohms maximum
Insulation Resistance: 5000 megohms maximum (initial); 1000 megohms (minimum) after environmental testing



MECHANICAL

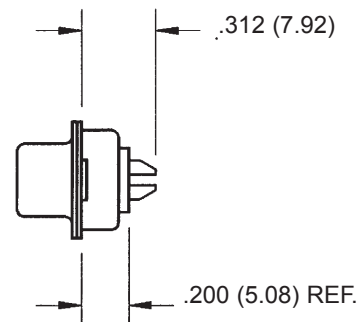
Individual Contact Insertion and Separation Force (minimum/maximum): 0.7 oz./12 oz.
Durability: 500 mating cycles



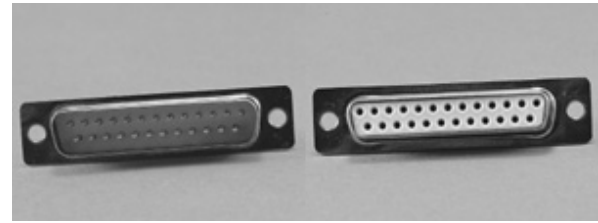
- Available with stamped or machined contacts.
- Will accommodate up to 20 AWG wire.

Materials

- Contact Material: Copper Alloy
- Contact Plating:
 - Stamped contacts with gold flash or 30µin. gold in mating area, gold flash or tin/lead on remainder. All over nickel.
 - Screw machine contacts with gold flash or 30µin. gold. All over nickel.



DB-25S



Features:

Solder cup style for wire termination.

- Offered with .120 mounting holes, 4-40 clinch nuts.
- Offered in 9, 15, 25, 37, and 50 position plugs and sockets.
- Available with gold flash.
- RoHS version available
- Approvals:
 - UL Recognized - Files E170218 (UL1977) and E130965 (UL1863).
 - CSA Approved - File LR31996.

Materials:

Insulator Material: Glass-filled polyester (white), UL 94V-O rated

Connector Shell: Steel with zinc plating and yellow chromate finish or tin plating (grounding indents on plug)

4-40 Clinch Nut: Steel with cadmium plating and yellow chromate finish.

Mechanical:

Individual Contact Insertion and Separation Force (minimum/maximum): 0.7 oz./12 oz.

Durability: 500 mating cycles

Electrical:

Withstanding Voltage: Minimum 1250V RMS @ sea level

Current Rating: 5 Amps

Contact Resistance: 2.7 milliohms maximum

Insulation Resistance: 5000 megohms maximum (initial); 1000 megohms (minimum) after environmental testing

Environmental:

Operating Temperature: -65°C to + 125°C

Shock: 50G peak per MIL-STD-202, Method 213, Condition G

Vibration: 12 cycles in three perpendicular directions @ 10-2000Hz, per MIL-STD-202, Method 204, Condition D

Moisture Resistance: 90-95% relative humidity @ 40°C for 96 hours per MIL-STD-202, Method 103

DC-37P & DC-37S

Features

Solder Cup style for wire termination.

- Offered with .120 mounting holes, 4-40 clinch nuts, and dual float bushings.
- Offered in 9, 15, 25, 37, and 50 position plugs and sockets.
- Available with gold flash.
- RoHS version available
- Approvals:
 - UL Recognized - Files E170218 (UL1977) and E130965 (UL1863).
 - CSA Approved - File LR31996.

Materials

- Insulator Material: Glass-filled polyester (white), UL 94V-O rated
- Connector Shell: Steel with zinc plating and yellow chromate finish or tin plating (grounding indents on plug), RoHS zinc plated with clear chromate
- 4-40 Clinch Nut: Steel with cadmium plating and yellow chromate finish. RoHS zinc plating with clear chromate finish.

Mechanical

- Individual Contact Insertion and Separation Force (minimum/maximum): 0.7 oz./12 oz.

Durability

- 500 mating cycles

Electrical

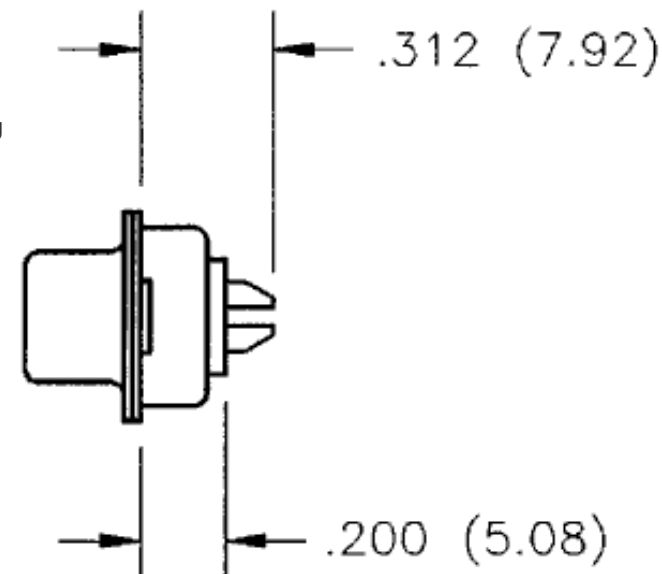
- Withstanding Voltage: Minimum 1250V RMS @ sea level
- Current Rating: 5 Amps
- Contact Resistance: 2.7 milliohms maximum
- Insulation Resistance: 5000 megohms maximum (initial); 1000 megohms (minimum) after environmental testing

Environmental

- Operating Temperature: -65°C to + 125°C
- Shock: 50G peak per MIL-STD-202, Method 213, Condition G
- Vibration: 12 cycles in three perpendicular directions @ 10-2000Hz, per MIL-STD-202, Method 204, Condition D
- Moisture Resistance: 90-95% relative humidity @ 40°C for 96 hours per MIL-STD-202

Materials

- Contact Material
 - Copper Alloy
- Contact Plating
 - Stamped contacts with gold flash on remainder. All over nickel.



Stamped Contact will accommodate up to 20 AWG wire.