

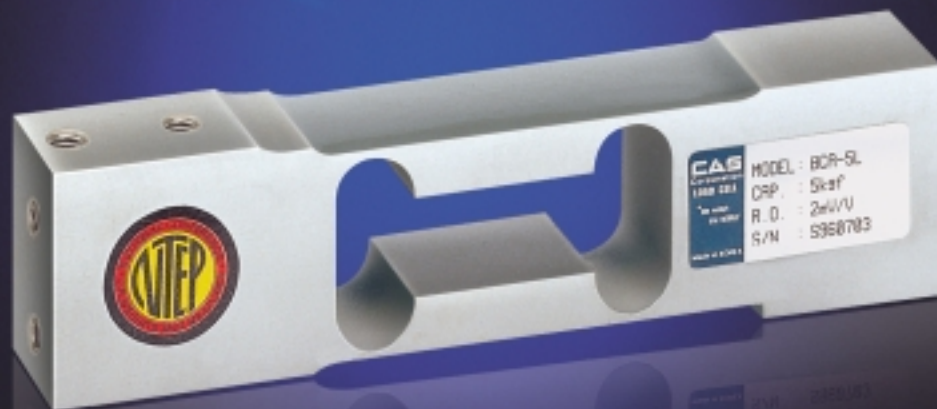
BCA



NTEP APPROVED

Single Point Load Cell

- Available in 5 kg (10 lb) up to 100 kg (200 lb) Versions
- Aluminum alloy construction
- Compatible with Other Sources.



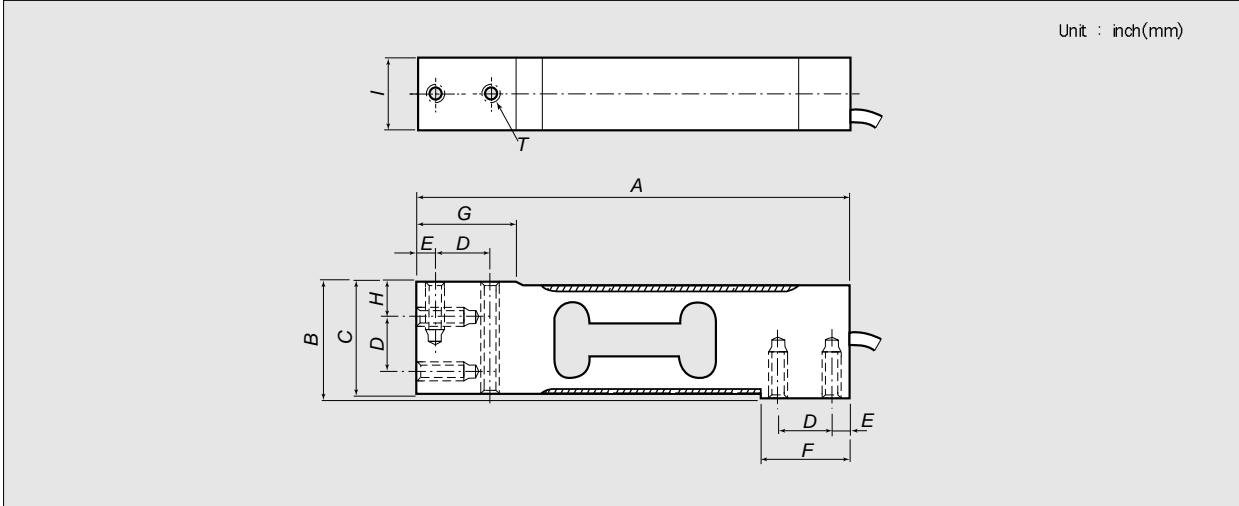
APPLICATION

- Bench scales
- Counting scales
- Check weighing systems

CAS

BCA Single Point Load Cell

DIMENSIONS



Unit : inch(mm)

CAPACITY	A	B	C	D	E	F	G	H	I	T
5 kgf - 100 kgf	5.91 (150)	1.57 (40)	1.52 (38.5)	0.748 (19)	0.24 (6)	1.22 (31)	1.34 (34)	0.47 (12)	0.98 (25)	1/4 - 20UNC - 2B

SPECIFICATIONS

Rated Load (R.L.)	5 kgf, 10 kgf, 15 kgf, 20 kgf, 30 kgf, 50 kgf, 75 kgf, 100 kgf
Rated Output (R.O.)	2 mV/V \pm 10 %
Accuracy Class	III
Combined Error	< 0.02% R.O.
Repeatability	< 0.01% R.O.
Creep (for 30min) / -10°C to +40 °C	< 0.017% R.O.
Temperature Effect on Zero Value / 10°C	< 0.014% R.O.
Temperature Effect on Output Value / 10°C	< 0.011% R.O.
Recommended Excitation	DC 10V
Maximum Excitation	DC 15V
Zero Balance	\pm 5% R.O.
Input Resistance	400 \pm 20 Ω
Output Resistance	350 \pm 3.5 Ω
Insulation Resistance	> 2000 M Ω
Cable	10 ft / 3.3 m 4 or 6 conductor with shield
Compensated Temperature Range	-10°C to +40 °C
Safe Operating Range	-20°C to +70 °C
Safe Overload	150% Rated Capacity
Protection Class	IP 65

ORDERING INFORMATION

CAPACITY	MODEL NO.
5 kgf	BCA - 5 L - A
10 kgf	BCA - 10 L - A
15 kgf	BCA - 15 L - A
20 kgf	BCA - 20 L - A
30 kgf	BCA - 30 L - A
50 kgf	BCA - 50 L - A
75 kgf	BCA - 75 L - A
100 kgf	BCA - 100 L - A

CABLE COLOR CODE

Red	+ Excitation
Black	- Excitation
Green	+ Signal
White	- Signal
Blue	+ Remote sense
Brown	- Remote sense
Clear	Shield



CAS USA Corporation

NJ OFFICE
99 Murray Hill Parkway
East Rutherford, NJ 07073
Tel: (201) 933-9002
Fax: (201) 933-9025

<http://www.cas-usa.com>

CA OFFICE
733 S. State College Blvd #98
Fullerton, CA 92831
Tel: (714) 870-1286
Fax: (714) 870-1167

Specifications are subject to change for improvement without prior notice.

2001.7