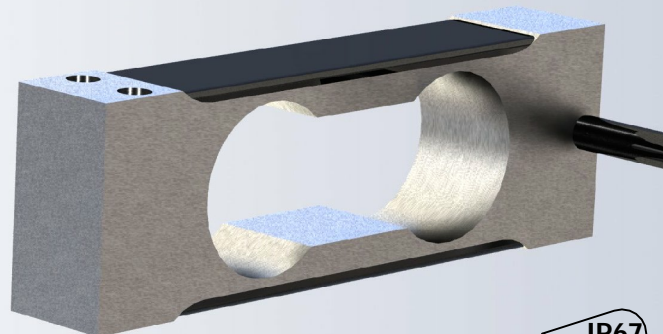


Small size and light capacities make this sensor perfect for laboratory testing and small bench scales. This sensor is offered in capacity ranges from 600 gram up to 3,000 grams. It is only 2.76 inches long and less than 1 inch tall so fitting it into small spaces is no problem.



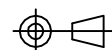
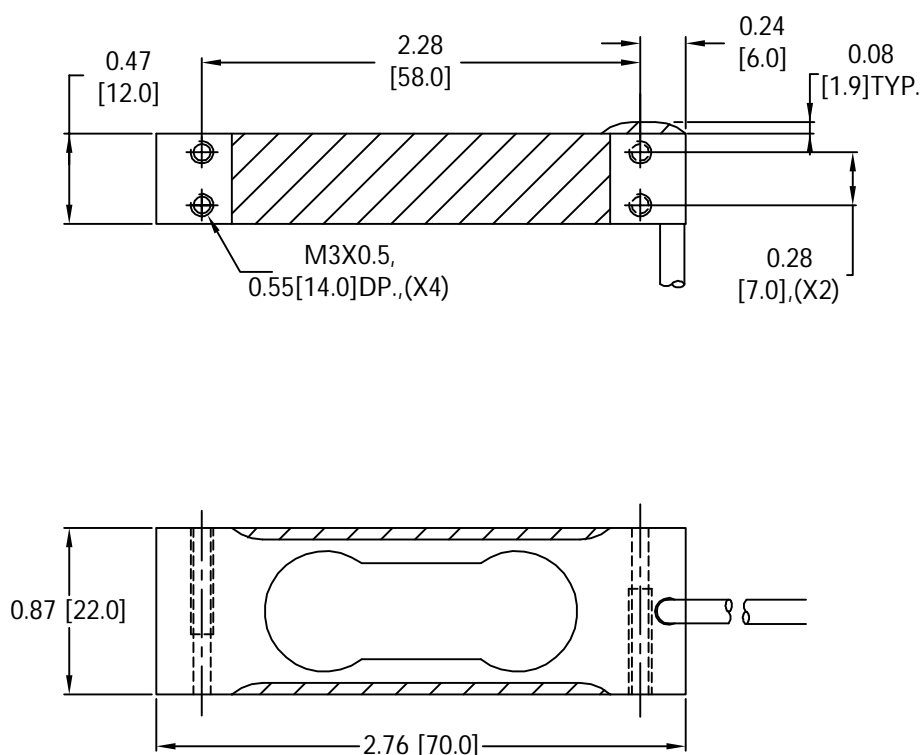
FEATURES

- Capacities 0.6-3 kg.
- Aluminum construction.
- Environmental Protection IP67.

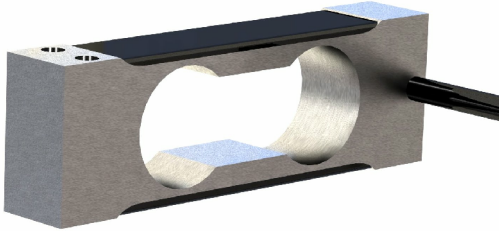
APPLICATIONS

- Bench scales, Counting scales & Grocery scales.
- General purpose force measurement.

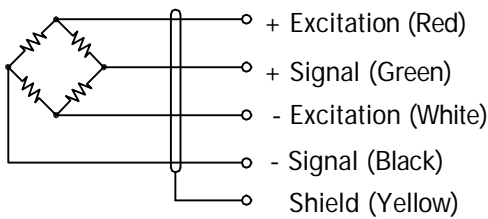
OUTLINE DIMENSIONS



single point CB17 4054



WIRING



Cable : 28 AWG, 4 Conductor braided shield cable .

SPECIFICATIONS

Model		4054	
Accuracy class		C3	
Capacities	kg	0.6/ 1/ 2/ 3	
Full scale output (FS)	mV/V	1.0±10%	
Non-linearity	%FS	≤±0.0166	
Hysteresis	%FS	≤±0.0166	
Creep @ 30min	%FS	≤±0.0166	
OCLS			
	Max platform size	mm	200 X 200
	Max off-center distance	mm	71
	OCLS Error	%FS	≤±0.02@ 50%LOAD
Zero balance	%FS	≤±5	
Temperature effect			
	Output	%FS/10°C	≤±0.012
	Zero	%FS/10°C	≤±0.04
Temperature range			
	Compensated	°C	-10... +50
	Operating	°C	-10... +50
Terminal resistance			
	Input resistance	Ω	386±50
	Output resistance	Ω	350±5
Excitation voltage	VDC	5... 15	
Insulation resistance @ 50V DC	MΩ	≥5000	
Safe overload limit	%FS	300	
Ultimate load	%FS	400	
Cable length	in	17	
Seal type	IP67		
Element Material	Aluminum-Anodized		

Note : OCLS - Off Center Load Sensitivity.

PART NUMBERS

Capacity (kg)	Part #
0.6	4054-000-10
1	4054-001-10
2	4054-002-10
3	4054-003-10

Dimensions and specifications subject to change without notice