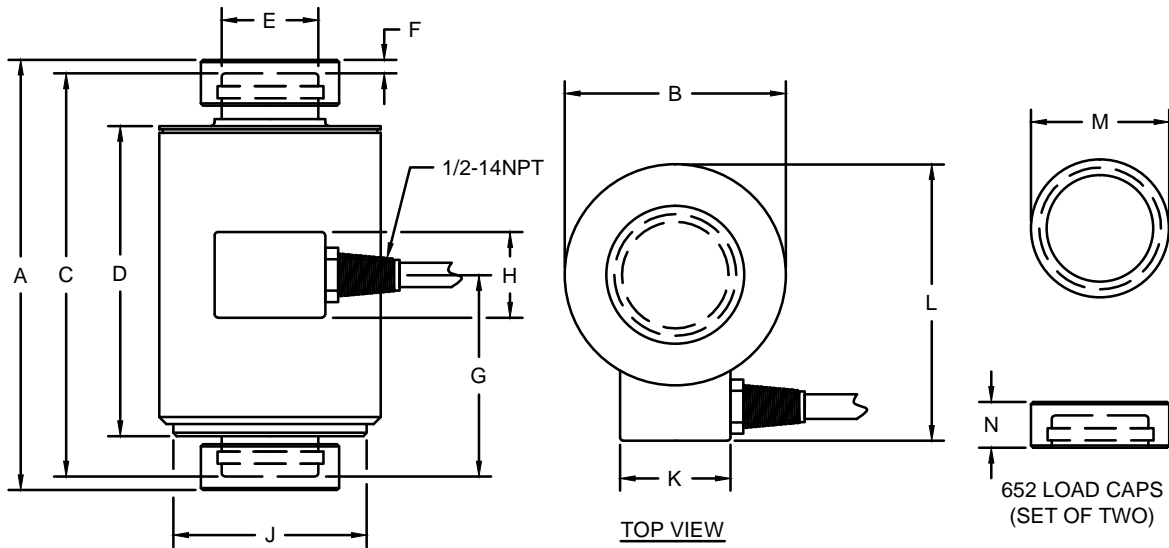


REVISIONS							
ZONE	LTR.	DESCRIPTION	DATE	ECN	BY	CKD	APVD
-	C	REDRAWN FOR CLARITY IN THE CATALOG	04/20/15	2015-18	RLU	JSP	AA



**PERFORMANCE SPECIFICATIONS:**

1. CAPACITIES: 50K, 100K & 120K (LB).
2. RATED OUTPUT: 2.00 mV/V  $\pm 0.25\%$ .
3. SAFE OVERLOAD: 150% FS.
4. EXCITATION VOLTAGE: 10V AC/DC. (15V MAX)
5. INPUT RESISTANCE: 1150  $\pm 10\Omega$ .
6. OUTPUT RESISTANCE: 1050  $\pm 5\Omega$ .
7. ZERO BALANCE:  $\pm 1.00\%$  FS.
8. SEAL TYPE: HERMETICALLY SEALED IP67.
9. NON-LINEARITY:  $\pm 0.03\%$  FS.
10. HYSTERESIS:  $\pm 0.02\%$  FS.
11. REPEATABILITY:  $\pm 0.01\%$  FS.
12. CREEP:  $\pm 0.02\%$  FS IN 30 MINUTES.
13. NTEP RATED.
14. CLASS III L, 10,000 DIVISION, MULTIPLE CELL.
15. COMPENSATED TEMPERATURE RANGE: 0°C - 30°C.
16. TEMPERATURE EFFECT ON ZERO:  $\pm 0.0027\%$  FS/°C.
17. TEMPERATURE EFFECT ON OUTPUT:  $\pm 0.0015\%$  FS/°C.
18. INSULATION RESISTANCE: 5000 MEGOHMS.
19. LOAD CELL CABLE: 4-24AWG,  $\varnothing 5.6\text{MM}$ , PVC, 50FT.
20. LOAD CELL WIRING:  
 GRN (+EXC)  
 BLK (-EXC)  
 RED (+SIG)  
 WHT (-SIG)  
 BRAID/YELLOW: SHIELD
21. FM APPROVED.

RATED CAPACITY	DIMENSIONS												
	A	B	C	D	E	F	G	H	J	K	L	M	N
50K- 120K	7.75	4.00	7.25	5.75	1.75	0.25	4.00	1.55	3.50	2.00	5.00	-	-
652 LOAD CAPS	-	-	-	-	-	-	-	-	-	-	-	2.50	0.82

DO NOT ALTER WITHOUT AGENCY NOTIFICATION

COTI GLOBAL SENSORS, INC.

CG -26S  
NTEP LOAD CELL

<p>THIS DRAWING USES THIRD ANGLE PROJECTION</p> <p>THIS DOCUMENT CONTAINS PROPRIETARY INFORMATION AND SUCH INFORMATION MAY NOT BE REPRODUCED OR DISCLOSED FOR ANY PURPOSE OR USED TO PRODUCE THE ARTICLE OR SUBJECT WITHOUT WRITTEN PERMISSION FROM COTI GLOBAL SENSORS, INC.</p>	<p>TOLERANCES UNLESS OTHERWISE SPECIFIED</p> <p>.XX = <math>\pm 0.02"</math></p> <p>.XXX = <math>\pm 0.005"</math></p> <p>.XXXX = <math>\pm 0.0002"</math></p> <p>FRACTIONS: <math>\pm 1/16"</math></p> <p>ANGLES DEG. <math>\pm 1/8</math></p>	APPROVALS		DATE	<p>SCALE: NONE</p> <p>SIZE: B</p> <p>PART/DRAWING NO. DOD-CG-26S</p> <p>REV. C</p>
		DRAWN: RLU		04/20/15	
		CHECKED: AA		04/20/15	
		ENGINEER: JSP		04/20/15	
		APPROVED: AA		04/20/15	
MATERIAL: STAINLESS STEEL					
FINISH: PASSIVATED					
				MODEL CG-26S	SHEET 1 OF 1