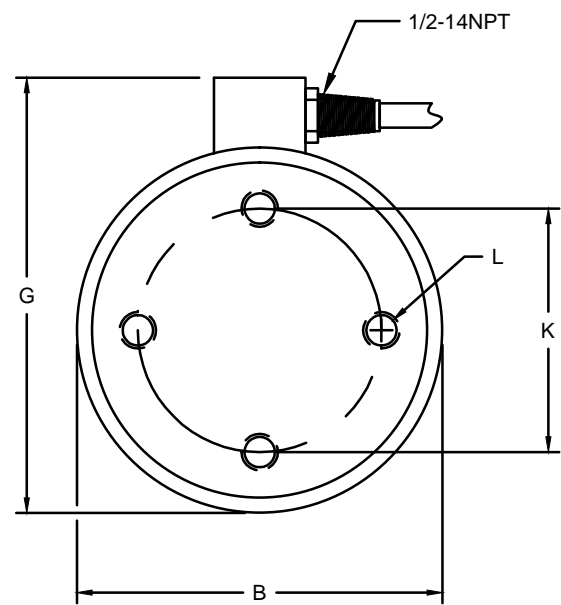
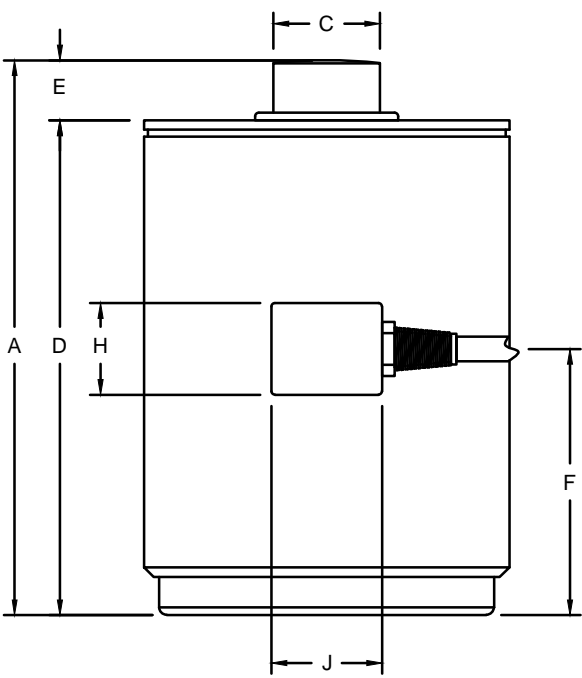


| REVISIONS | | | | | | | |
|-----------|------|---------------------------------------|---------|---------|-----|-----|------|
| ZONE | LTR. | DESCRIPTION | DATE | ECN | BY | CKD | APVD |
| - | B | REDRAWN FOR LABELING CONSISTENCY | 4/21/15 | 2016-30 | RLU | JSP | AA |
| - | C | CORRECTED TYPOS IN D AND G DIMENSIONS | 6/2/16 | 2016-81 | TB | AB | AA |



PERFORMANCE SPECIFICATIONS:

- CAPACITIES: 20K, 50K, 100K, 200K (LB).
- RATED OUTPUT: 2.00 mV/V $\pm 0.25\%$.
- SAFE OVERLOAD: 150% FS.
- EXCITATION VOLTAGE: 10V AC/DC (15V MAX).
- INPUT RESISTANCE: 385 $\pm 10\Omega$.
- OUTPUT RESISTANCE: 350 $\pm 5\Omega$.
- ZERO BALANCE: $\pm 1.00\%$ FS.
- SEAL TYPE: HERMETICALLY SEALED IP67.
- NON-LINEARITY: $\pm 0.05\%$ FS.
- HYSTERESIS: $\pm 0.03\%$ FS.
- REPEATABILITY: $\pm 0.01\%$ FS.
- CREEP: $\pm 0.02\%$ FS IN 30 MINUTES.
- COMPENSATED TEMPERATURE RANGE: -10°C TO $+40^{\circ}\text{C}$.
- TEMPERATURE EFFECT ON ZERO: $\pm 0.0027\%$ FS/ $^{\circ}\text{C}$.
- TEMPERATURE EFFECT ON OUTPUT: $\pm 0.0015\%$ FS/ $^{\circ}\text{C}$.
- INSULATION RESISTANCE: 5000 MEGOHMS.
- LOAD CELL CABLE: 4-24AWG, $\varnothing 5.6\text{MM}$, PVC, 50FT.
- LOAD CELL WIRING:
 - GRN (+EXC)
 - BLK (-EXC)
 - WHT (+SIG)
 - RED (-SIG)
 - YELLOW: SHIELD
- FM APPROVED.

| RATED CAPACITY | DIMENSIONS | | | | | | | | | | |
|----------------|------------|------|------|-------|------|------|------|------|------|------|---------------------|
| | A | B | C | D | E | F | G | H | J | K | L |
| 20 - 50K | 7.50 | 4.50 | 1.25 | 7.00 | 0.50 | 3.86 | 5.75 | 1.57 | 1.57 | 2.38 | 3/8-24UNFx0.63 DEEP |
| 100K | 9.13 | 6.00 | 1.75 | 8.25 | 0.71 | 4.48 | 7.00 | 1.57 | 1.57 | 4.00 | 1/2-20UNFx0.75 DEEP |
| 200K | 11.63 | 8.00 | 2.50 | 10.66 | 0.81 | 5.78 | 9.00 | 1.97 | 1.97 | 5.50 | 5/8-18UNFx1.00 DEEP |

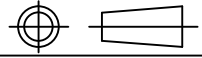
DO NOT ALTER WITHOUT AGENCY NOTIFICATION
COTI GLOBAL SENSORS, INC.

CG - 26S3
CANISTER LOAD CELL
SCALE: NONE SIZE: B PART/DRAWING NO: DOD-CG-26S3 REV: C
MODEL: CG-26S3 SHEET: 1 OF 1

| APPROVALS | | DATE |
|---------------------------|--------------|----------|
| DRAWN: RLU | CHECKED: AA | 04/21/15 |
| ENGINEER: JSP | APPROVED: AA | 04/21/15 |
| MATERIAL: STAINLESS STEEL | | |
| FINISH: PASSIVATED | | |

THIS DOCUMENT CONTAINS PROPRIETARY INFORMATION AND SUCH INFORMATION MAY NOT BE REPRODUCED OR DISCLOSED FOR ANY PURPOSE OR USED TO PRODUCE THE ARTICLE OR SUBJECT WITHOUT WRITTEN PERMISSION FROM COTI GLOBAL SENSORS, INC.

TOLERANCES UNLESS OTHERWISE SPECIFIED
.XX = $\pm 0.02"$
.XXX = $\pm 0.005"$
.XXXX = $\pm 0.0002"$
FRACTIONS: $\pm 1/16"$
ANGLES DEG: $\pm 1/8"$



4 3 2 1

4 3 2 1