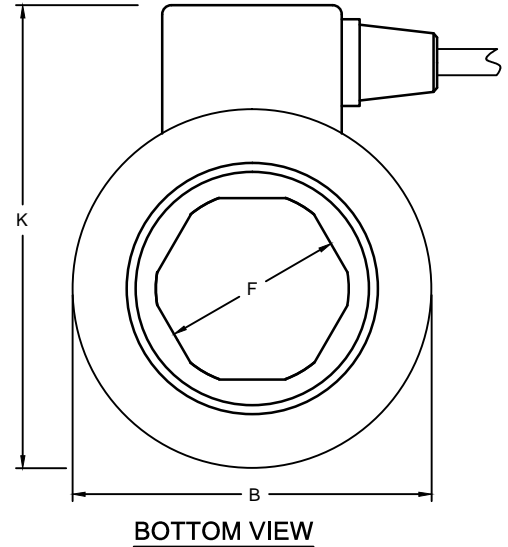
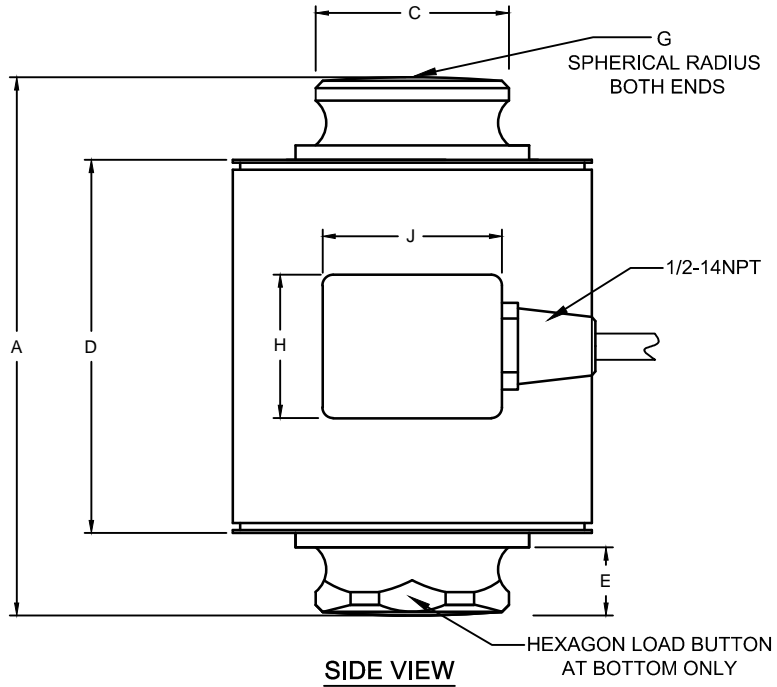
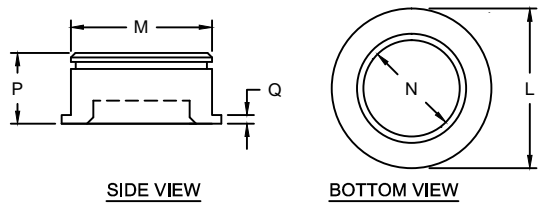


REVISIONS								
ZONE	LTR.	DESCRIPTION	DATE	ECN	BY	CKD	APVD	
-	G	REDRAWN FOR LABELING CONSISTENCY	01/20/16	2016-06	TB	AB	AA	
-	H	ADDED 100t CUPS STOCK #632 & #633	04/12/19	2019-28	TB	AT	AA	

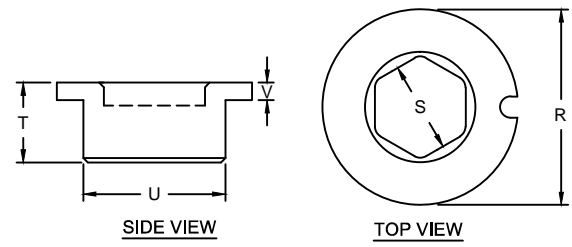


- PERFORMANCE SPECIFICATIONS:**
1. CAPACITIES: 20t, 30t, 30t-797, 50t-797, 50t, 100t.
 2. RATED OUTPUT: 2.00 mV/V ±0.25%.
 3. SAFE OVERLOAD: 150% FS.
 4. EXCITATION VOLTAGE: 10V AC/DC (15V MAX) .
 5. INPUT RESISTANCE: 1160 ±10Ω.
 6. OUTPUT RESISTANCE: 1000 ±5Ω.
 7. ZERO BALANCE: ±1.00% FS.
 8. SEAL TYPE: HERMETICALLY SEALED IP67
 9. NON-LINEARITY: ±0.03% FS.
 10. HYSTERESIS: ±0.02% FS.
 11. REPEATABILITY: ±0.01% FS.
 12. CREEP: ±0.02% FS IN 30 MINUTES.
 13. NTEP RATED
 14. CLASS III, 10,000 DIVISION, MULTIPLE CELL.
 15. COMPENSATED TEMPERATURE RANGE: 0°C TO -30°C.
 16. TEMPERATURE EFFECT ZERO: ±0.0027% FS/°C
 17. TEMPERATURE EFFECT ON OUTPUT: ±0.0015% FS/°C
 18. INSULATION RESISTANCE: 5000 MEGOHMS.
 19. LOAD CELL CABLE: 4-22AWG, Ø6.8MM, BRAIDED, 50FT.
 20. LOAD CELL WIRING:
 - GRN (+EXC)
 - BLK (-EXC)
 - WHT (+SIG)
 - RED (-SIG)
 - BRAID/YELLOW: SHIELD
 21. FM APPROVED



TOP PLATE #630 & #632

RATED CAPACITY	DIMENSIONS																			
	A	B	C	D	E	F	G	H	J	K	L	M	N	P	Q	R	S	T	U	V
20t-30t	5.91	2.99	1.49	4.10	0.75	1.40	6.30	1.57	1.97	1.12	3.75	2.48	1.50	1.25	0.50	3.75	1.42	1.25	2.48	0.50
30t-797	7.97	2.99	1.49	6.17	0.75	1.40	12.00	1.57	1.97	4.12	3.75	2.48	1.50	1.25	0.50	3.75	1.42	1.25	2.48	0.50
50t	5.91	2.99	1.49	4.10	0.75	1.40	12.00	1.57	1.97	4.12	3.75	2.48	1.50	1.25	0.50	3.75	1.42	1.25	2.48	0.50
50t-797	7.97	2.99	1.49	6.17	0.75	1.40	12.00	1.57	1.97	4.12	3.75	2.48	1.50	1.25	0.50	3.75	1.42	1.25	2.48	0.50
100t	5.91	4.02	2.12	4.10	0.75	1.99	12.00	1.57	1.97	5.10	3.54	3.13	2.14	1.57	0.19	4.33	2.01	1.77	3.15	0.39



BOTTOM PLATE #631 & #633



APPROVALS		DATE
DRAWN:	TB	04/12/19
CHECKED:	AA	04/12/19
ENGINEER:	TB	04/12/19
APPROVED:	AA	04/12/19
MATERIAL:	STAINLESS STEEL	
FINISH:	PASSIVATED	

DO NOT ALTER WITHOUT AGENCY NOTIFICATION

Coti Global Sensors
MANUFACTURING

Weighing Products Worldwide

CG-26S7
NTEP LOAD CELL

SCALE: NONE SIZE: B PART/DRAWING NO. DOD-CG-26S7 REV. H

MODEL: CG-26S7 SHEET 1 OF 1

THIS DRAWING USES THIRD ANGLE PROJECTION

THIS DOCUMENT CONTAINS PROPRIETARY INFORMATION AND SUCH INFORMATION MAY NOT BE REPRODUCED OR DISCLOSED FOR ANY PURPOSE OR USED TO PRODUCE THE ARTICLE OR SUBJECT WITHOUT WRITTEN PERMISSION FROM COTI GLOBAL SENSORS, INC.

TOLERANCES UNLESS OTHERWISE SPECIFIED:
 .XX"±0.02"
 .XXX"±0.005"
 .XXXX"±0.0002"
 FRACTIONS ±1/16"
 ANGLES DEG. ±1/8"