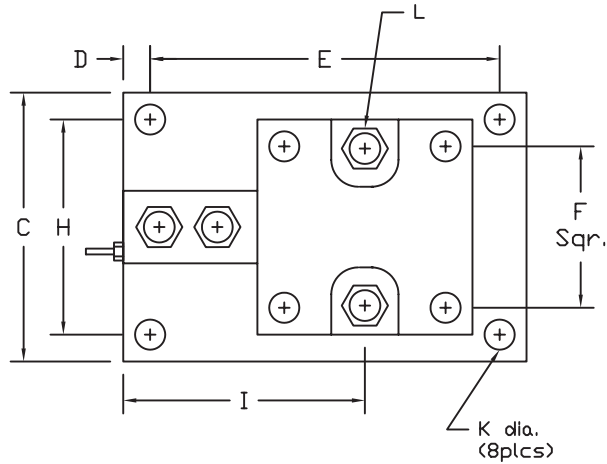
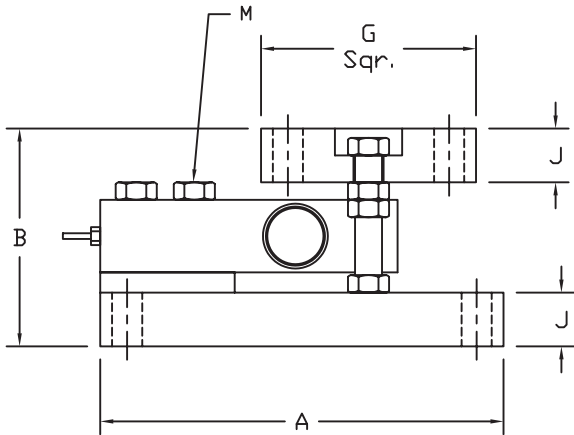


| REVISIONS | | | | | | | |
|-----------|------|-----------------|----------|-----|----|-----|------|
| ZONE | LTR. | DESCRIPTION | DATE | ECN | BY | CKD | APVD |
| - | - | INITIAL RELEASE | 10/01/08 | - | - | - | - |



PERFORMANCE SPECIFICATIONS:

- CAPACITIES: 500LB, 1K, 1.25K, 2.5K, 4K, 5K, & 10K LB
- SAFE OVERLOAD: 150% FS
- FULL SCALE OUTPUT: 2.00 mV/V
- EXCITATION VOLTAGE: 10-15V AC/DC
- LOAD CELL RESISTANCE: 350 OHMS
- LOAD CELL CABLE: 4 CONDUCTOR, 20 FT
- OPERATING TEMPERATURE RANGE: -20°C - +60°C
- MATERIAL
LOAD CELL: STAINLESS STEEL
ASSEMBLY: STAINLESS STEEL

Totalcomp®
Scales & Components

201-797-2718 * 800-631-0347

| RATED CAPACITY | DIMENSIONS | | | | | | | | | | | | |
|----------------|------------|------|------|------|------|------|------|------|------|------|------|-----------|-----------|
| | A | B | C | D | E | F | G | H | I | J | K | L | M |
| 500LB-2.5K | 7.50 | 3.78 | 5.00 | 0.50 | 6.50 | 3.00 | 4.00 | 4.00 | 4.50 | 1.00 | 0.56 | 1/2-13UNC | 1/2-13UNC |
| 4K | 7.50 | 3.94 | 5.00 | 0.50 | 6.50 | 3.00 | 4.00 | 4.00 | 4.50 | 1.00 | 0.56 | 1/2-13UNC | 1/2-13UNC |
| 5K | 7.50 | 4.03 | 5.00 | 0.50 | 6.50 | 3.00 | 4.00 | 4.00 | 4.50 | 1.00 | 0.56 | 1/2-13UNC | 1/2-13UNC |
| 10K | 8.50 | 4.28 | 5.00 | 0.50 | 7.50 | 3.00 | 4.00 | 4.00 | 6.00 | 1.00 | 0.56 | 1/2-13UNC | 3/4-10UNC |

DO NOT ALTER WITHOUT AGENCY NOTIFICATION

COTI GLOBAL SENSORS, INC.

CG-RTM
TANK MOUNT

| | | | |
|-------|--------|------------------|--------------|
| SCALE | SIZE | PART/DRAWING NO. | REV. |
| NONE | B | DOD-CG-RTM | - |
| MODEL | CG-RTM | | SHEET 1 OF 1 |

THIS DOCUMENT CONTAINS PROPRIETARY INFORMATION AND SUCH INFORMATION MAY NOT BE REPRODUCED OR DISCLOSED FOR ANY PURPOSE OR USED TO PRODUCE THE ARTICLE OR SUBJECT WITHOUT WRITTEN PERMISSION FROM COTI GLOBAL SENSORS, INC.

TOLERANCES UNLESS OTHERWISE SPECIFIED
XX±.01
.XX±.005
FRACTIONS±1/16"
ANGLES±1/2"

APPROVALS

| | | | |
|-----------|------|------|----------|
| DRAWN: | MTSI | DATE | 10/01/08 |
| CHECKED: | MB | DATE | 10/01/08 |
| ENGINEER: | AA | DATE | 10/01/08 |
| APPROVED: | AA | DATE | 10/01/08 |

MATERIAL: SEE NOTES