



Caston III

Crane SCALE



Caston III BT Model

Applications:

- Industrial Applications
- Material Handling



 **Bluetooth®**

CAS
S • C • A • L • E

Caston III CRANE Scale

Features

- Battery Operated w/Low Battery Indicator
- Rechargeable Battery Pack
- Spare Battery Pack and Charger Included
- Easy to Read 1.5" Display
- On, Off, Zero, Tare, and Hold (Manual or Automatic) Functions
- Auto Span Adjustment
- Auto Zero Tracking
- Includes - Wireless Remote for Caston III Models
- TW-100 Bluetooth Remote Control for Caston III BT Model - Remote Base includes RS-232C
- Cradle included with 60K & 100K Models



Cradle

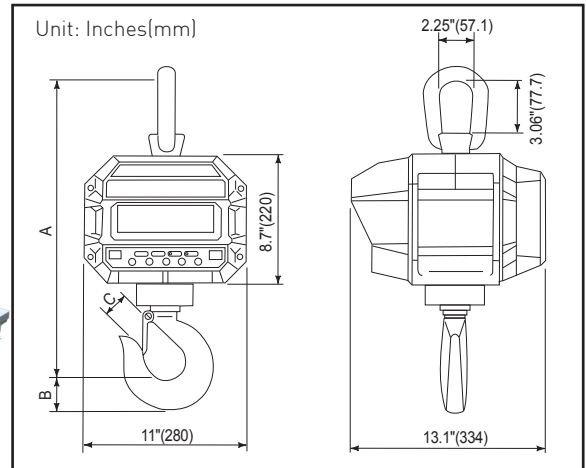
TW-100

Specifications

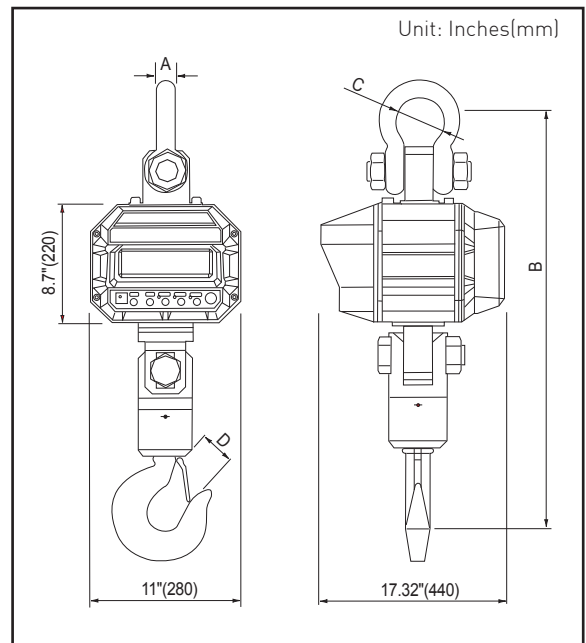
Models Caston III & Caston III BT	10K	20K	30K
	10,000 X 2 lbs 5,000 x 1 kg	20,000 X 5 lbs 10,000 x 2 kg	30,000 X 10 lbs 15,000 x 5 kg
	40K	60K	100K
	40,000 X 10 lbs 20,000 x 5 kg	60,000 X 20 lbs 30,000 x 10 kg	100,000 X 20 lbs 50,000 x 10 kg
Accuracy	Plus or minus 0.1% of applied load		
Maximum Tare	Full Tare		
Overload	Safety: 150% of rated capacity Ultimate: 300% of rated capacity		
Housing	Alodined cast aluminum Double O-ring gasket NEMA 4 IP 65		
Hook, Eye, Shackles	Crosby or equivalent		
Display Type	LED / 6 Digit (1.5 inch)		
Frequency (BT)	2.4 Ghz		
Remote Distance (BT)	Up to 350 ft / 106.7 m		
Channels (BT)	Up to 79 separate channels		
Calibration	Manual		
Operating Power	DC 12V		
Operating Time	14 - 24 hours		
Power Source	AC 120V, 50/60 Hz		
Display Designators	Zero, Tare, Hold, Batt		
Power Consumption	1.2W		
Operating Temp	-10°C ~ 40°C / 14°F ~ 104°F		



Dimensions



Model	A	B	C	Weight
10K	20.1"[512]	1.75"[44.5]	1.69"[42.9]	68.3 lb/31 kg



Model	A	B	C	D	Weight
20K	1.26"[32]	33.27"[845]	3.27"[83]	2.25"[57.2]	97 lb/44 kg
30K	1.50"[38]	34.88"[886]	3.90"[99]	2.50"[63.5]	116.7 lb/53 kg
40K	1.77"[45]	38.98"[990]	4.96"[126]	3.39"[86]	167.5 lb/76 kg
60K	1.97"[50]	47.24"[1200]	5.43"[138]	4.25"[108]	484.6 lb/220 kg
100K	2.56"[65]	59.84"[1520]	7.08"[180]	5.75"[146]	859.8 lb / 390 kg

CAS USA Corporation
Corporate Office
 99 Murray Hill Parkway
 East Rutherford, NJ 07073
 Tel: (201) 933-9002
 Fax: (201) 933-9025
<http://www.cas-usa.com>

