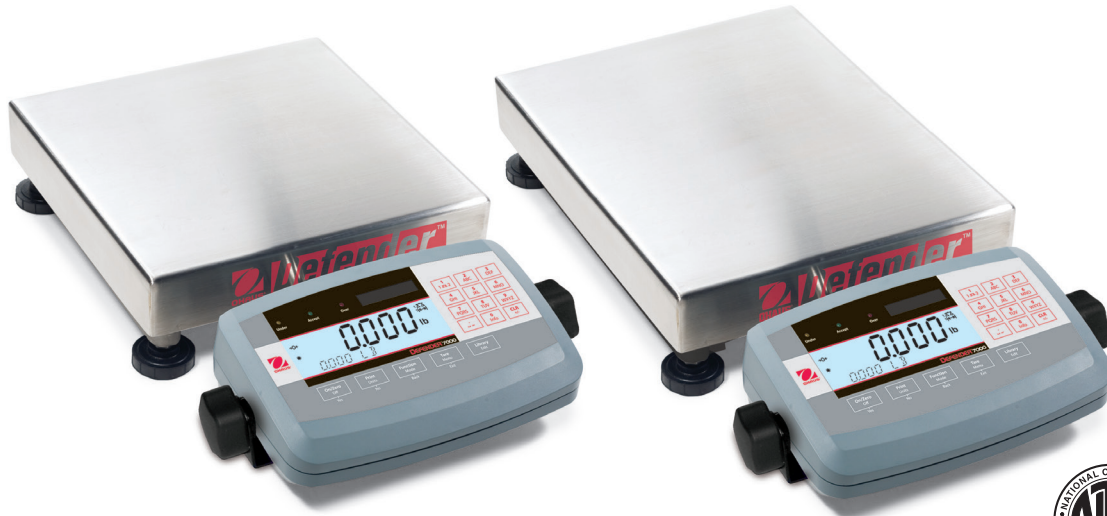




Defender[®] 7000

Advanced Low Profile Scales



Counting function is not legal for trade

Advanced Smart Functionality, Durability, OHAUS Quality and Value

The OHAUS Defender 7000 Series is a feature-rich line of bench scales, combining an ABS plastic T71P indicator with painted steel bases and mounting brackets. Ideal for shipping and receiving, production, packaging and general commercial and industrial weighing applications, the Defender 7000 offers a multifunctional indicator with multiple weighing units, alpha-numeric keypad and software modes to meet the requirements of industrial and lab applications. With rugged construction, comprehensive yet intuitive software and multiple connectivity options, the Defender 7000 can meet the needs of demanding industrial operations.

Standard Features Include:

- Painted steel bases with ABS indicator
- 10,000-12,500d default resolution for square bases, 5,000-7,500d default resolution for rectangular bases
- 1:5,000 certified resolution for square bases; up to 1:3,000 for rectangular bases
- Quick display of results using large dual line LCD with high-contrast white backlight
- Temporary display of 10x readability in weighing mode using quick key press
- Easy to operate with positive feedback 5-function key and alpha-numeric membrane keypad
- Weighs in one or more units: kg, g, lb, oz, lb:oz (decimal), tonnes and user-definable custom unit
- Multiple weighing modes including Counting, Percent Weighing, Dynamic/Animal Weighing, Checkweighing, Display Hold, and Accumulation
- 255 item Library data storage function
- Internal power supply with universal line cord or 6 "C" batteries (80 hour battery life) – optional NiMH internal rechargeable power pack available
- Includes RS232 interface with GMP/GLP data output including date and time, and external analog base input for dual-base counting
- Base and indicator connected using quick connect plug
- Options include DC relay control kit, AC relay control kit, RS485/422 and 2nd RS232 interfaces, Alibi memory module

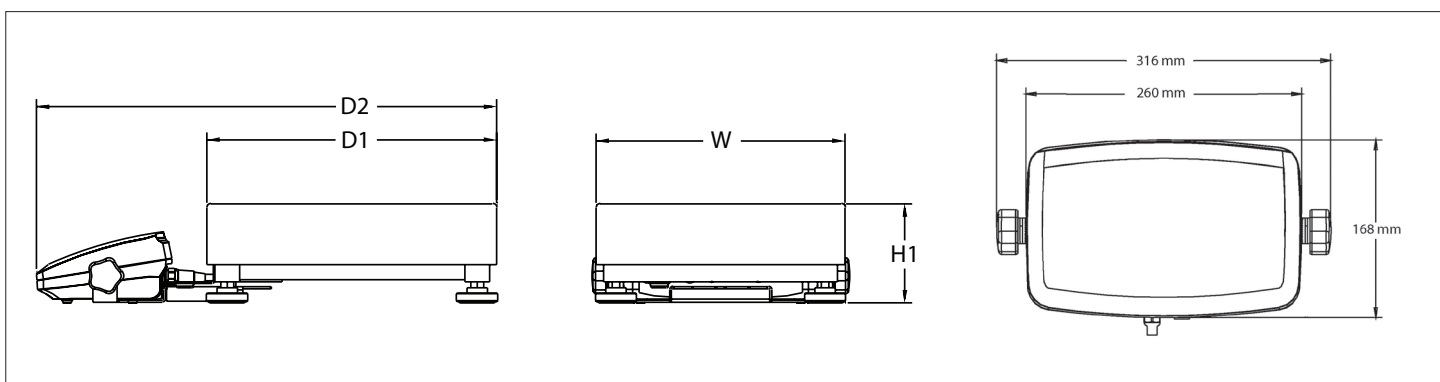
Defender[®] 7000 Advanced Low Profile Scales

The Defender 7000 Offers Multiple Features and Easy Configuration:

To meet different operational needs, the Defender 7000 includes a suite of configurable software:

- Counting mode for packaging and inventory control, enabling counting into a container or out of a container for bulk operations. Supports a maximum counting resolution to 1:500,000 (minimum APW equal to 0.1d), selectable auto-optimization of average piece weight (APW). APW data can be displayed at any time using a quick key press.
- Percent Weighing mode for formulation and mixing applications, with display of reference weight with quick key press.
- Dynamic/Animal Weighing with selectable averaging times from 0-60 seconds.
- Checkweighing function for count and weight checking, with display of results using LCD display and red/yellow/green LEDs. Audible beeper can be configured to prompt when weight is within range, under, over, or under or over range. Target values can be displayed at any time using a quick key press.
- Display Hold mode for weighing large packages, holds last stable weight on display until cleared manually or automatically
- The Defender 7000 weighs in one or more user-selectable units: kg, g, lb, oz, lb:oz (decimal), tonnes and user-definable custom unit
- Supports GMP/GLP data output with date, time user ID, project ID and scale ID. The Defender 7000 features selectable print options for data and print format
- To limit operator access to functions, the Defender 7000 offers both software lockouts for menu items as well as individual key functions.
- Library storage for up to 255 memory records that may contain data from a combination of different modes. These reference data can be quickly and conveniently recalled for use with the active mode.
- Multi-language feature allows the user to display operation and menu text in the language of their choice: English, Spanish, French, German, Italian. This allows for convenience and ease of training and operation of the Defender 7000.
- Accumulation mode with statistics feature allows totalizing weight and count values manually or automatically. The total accumulated value is displayed in real-time. With the press of the "Info" key, the number of weighments, average, standard deviation, minimum, maximum and difference are displayed. These statistical values can also be printed.
- Dual scale connections are built-in for 2-scale counting configuration. Connect two bases, a higher resolution base to optimize average piece weight, in conjunction with a large capacity base to weigh/count in bulk.
- Store, view and print over 262,000 date and time-stamped weighing results with the optional Alibi memory kit.

Outline Dimensions



Standard Features:

Internal Slot for Capacity Label
Protects label from the effects of moisture and external environments

Choice of Two Base Designs
Available in higher-precision square bases or lower-precision rectangular bases.

Durable Base Frame Construction
Stainless steel pans and painted steel form-and-weld frames (R, L bases) provide maximum durability, rigidity and structural integrity. Load-unload cycle tested to ensure long-term performance.

3-Color LED Checkweigh Indication
with configurable beeper alert

High-Visibility LCD Dual Line Display
with bright white LED backlight and fast display stable weight within 2 seconds

Fully Adjustable Feet
Four rugged, adjustable feet help prevent slippage on wet or uneven surfaces

Universal Switching Power Supply
100-240 VAC with AC line cord; no need for an external AC adapter!

Simple Plug-In Battery Installation
Use six C-alkaline batteries or the optional NiMH battery

Stay Connected/Output
Built in RS232 bi-directional interface and built-in external input, optional RS422/485, optional second RS232 and optional AC or DC relay. Optional Alibi memory kit for data recording and traceability.

One-Key, Multiple Mode Selection
Counting, Dynamic Weighing, Display Hold, Percent Weighing and Checkweighing

Reinforced Indicator Housing
Internal structural ribs provide strength and minimize flexing.

Library Data Storage Function
Storage and quick recall of data records for up to 255 items

Options and Accessories

Interface Options	OHAUS Number
AC Relay Kit	80500720
DC Relay Kit	80500727
RS485/422 Interface Kit	80500731
Second RS232 Interface Kit	80500733
Foot Switch	71173378
Power Options	
Rechargeable Battery Kit, T71P/T71XW	80500729

Other Accessories	OHAUS Number
Compact Dot Matrix Impact Printer	80252042
Compact Thermal Printer	80251992
OHAUS Collect Software	80500746
Alibi Memory Option Kit	80500503
TAL Software WinWedge	80850080
Paper for Printer, 80252042 (1 roll)	80251932
Ribbon for Printer, 80252042	80251933
RS232 Cable & Adapter, 80252042 Printer to T71P	80252571
RS232 Cable, PC 9-pin to T71	80500525
RS232 Cable, PC 25-pin to T71P	80500524

Defender® 7000 Low Profile Scales

Low-Profile Square Scales

Model	D71P10QR5	D71P25QR5	D71P50QL5	D71P100QL5	D71P250QX5
Capacity (max) x Default Readability (d)	25 lb x 0.002 lb 400 oz x 0.05 oz 25 lb : 0.05 oz 10 kg x 0.001 kg 10,000 g x 1 g	50 lb x 0.005 lb 800 oz x 0.1 oz 50 lb x 0.1 oz 25 kg x 0.002 kg 25,000 g x 2 g	100 lb x 0.01 lb 1600 oz x 0.2 oz 100 lb : 0.2 oz 50 kg x 0.005 kg 50,000 g x 5 g	250 lb x 0.02 lb 4000 oz x .5 oz 250 lb : .5 oz 100 kg x 0.01 kg 100,000 g x 10 g	500 lb x 0.05 lb 8000 oz x 1 oz 500 lb : 1 oz 250 kg x 0.02 kg 250,000 g x 20 g
Maximum Displayed Resolution	1:12,500	1:12,500	1:10,000	1:12,500	1:12,500
Scale Dimensions (W x H1 x D1 x D2)	12 x 3.7 x 12 x 20.8 in 305 x 95 x 305 x 530 mm		18 x 4.5 x 18 x 26.8 in 457 x 115 x 457 x 680 mm		24 x 5.4 x 24 x 32.8 in 610 x 137 x 610 x 833 mm
Capacity x Certified/Approved Readability	25 lb x 0.005 lb 10 kg x 0.002 kg	50 lb x 0.01 lb 25 kg x 0.005 kg	100 lb x 0.02 lb 50 kg x 0.01 kg	250 lb x 0.05 lb 100 kg x 0.02 kg	500 lb x 0.10 lb 250 kg x 0.05 kg
Maximum Certified Resolution	1:5,000	1:5,000	1:5,000	1:5,000	1:5,000
Shipping Dimensions (L x W x H)	19.3 x 16.1 x 17.3 in 490 x 410 x 440 mm		31.2 x 23.6 x 9.5 in 810 x 600 x 240 mm		39.4 x 29.9 x 9.8 in 1000 x 760 x 250 mm
Net Weight	30.6 lb / 13.9 kg		63.7 lb / 28.9 kg		80.9 lb / 36.7 kg
Shipping Weight	35.9 lb / 16.3 kg		68.5 lb / 31.1 kg		95.0 lb / 43.1 kg

Low-Profile Rectangular Scales

Model	D71P15HR5	D71P30HR5	D71P60HR5	D71P60HL5	D71P100HL5	D71P150HX5	D71P300HX5	
Capacity (max) x Default Readability (d)	30lb x 0.002lb 480oz x 0.05oz 30lb : 0.05oz 15kg x 0.001kg 15,000g x 1g	60lb x 0.005lb 960oz x 0.1oz 60lb x 0.1oz 30kg x 0.002kg 30,000g x 2g	150lb x 0.01lb 2,400oz x 0.2oz 150lb : 0.2oz 60kg x 0.005kg 60,000g x 5g	250lb x 0.02lb 4,000oz x 0.5oz 250lb : 0.5oz 100kg x 0.01kg 100,000g x 10g	300lb x 0.02lb 4,800oz x 0.5oz 300lb : 0.5oz 150kg x 0.01kg 150,000g x 10g	600lb x 0.05lb 9,600oz x 1oz 600lb : 1oz 300kg x 0.02kg 300,000g x 20g		
Maximum Displayed Resolution	1:15,000	1:12,000	1:15,000		1:12,500	1:15,000	1:12,000	
Scale Dimensions (W x H1 x D1 x D2)	12 x 3.7 x 14 x 22.8 in 305 x 95 x 355 x 580 mm			15.7 x 4.1 x 19.7 x 28.5 in 400 x 105 x 500 x 725 mm		16.5 x 4.9 x 21.7 x 30.5 in 420 x 125 x 550 x 775 mm		
Shipping Dimensions (L x W x H)	19.3 x 16.1 x 17.3 in 490 x 410 x 440 mm			29.1 x 27.2 x 9.1 in 740 x 690 x 230 mm		29.5 x 30 x 9.1 in 750 x 710 x 230 mm		
Net Weight	23.6 lb / 10.7 kg			46.3 lb / 21.0 kg		58.2 lb / 26.4 kg		
Shipping Weight	35.9 lb / 12.7 kg			53.6 lb / 24.3 kg		64.8 lb / 29.4 kg		

General Specifications

Indicator Model	T71P
Construction	ABS plastic indicator, stainless steel removable weighing platform, aluminum loadcell, painted steel mounting bracket and base construction
Safe Overload Capacity	150% of maximum capacity
Weighing Units	lb, oz, lb:oz, kg, g, custom unit
Modes/Features	Static Weighing (single or dual range), Dynamic Weighing, Counting, Checkweighing, Percent Weighing, Display Hold, Accumulation, Library
Display	6-digit, 7-segment LCD, 25mm/1 inch high primary digits, dual line, with high-contrast white LED backlight
Keypad	Positive feedback membrane keys, 5 function keys and alpha-numeric keypad
Stabilization Time	Within 2 seconds
Auto-zero Tracking	Off, 0.5, 1 or 3 d
Zeroing Range	2% or 100% of capacity
Calibration	Span: 1kg or 1lb to 100% of capacity / Linearity: 3 or 5 point
Power	100-240 VAC / 50-60Hz internal universal power supply, 6 'C' cell batteries (not supplied) with 80 hour life
Interface	RS232 and external input
Operating Temperature Range	14°F to 104°F / -10°C to 40°C

Features

T71P: ABS plastic housing with internal rib reinforcements, reversible rear cover, backlit LCD weight display, checkweighing indication (green, yellow, red), membrane keypad with raised tactile keys, built-in bi-directional RS232 with manual/continuous/interval printing, external tare input, hardware configuration lockout switch, internal switching power supply with line cord and battery power using 6 "C" cell batteries.

Other Features

Zero point calibration, calibration test, span or linear calibration, selectable auto-zero tracking range, selectable stability range, selectable averaging level, selectable LCD backlight, selectable auto shutoff, retain zero weight data after power-off, Geo gravity adjustment, selectable key beep, key function lock, menu lock, selectable power-on and calibration unit, battery status display, display of gross/net weight, indication of stability, center of zero, over- and underweight, overload and underload conditions. Configuration menus for PRINT1, PRINT2, COM1, COM2, and I/O.

Compliance

- Legal for Trade (Made from Certified/Approved weighing components): NTEP (CC No. 09-102 for indicator; 01-048A1 for square bases; 99-203A3 for rectangular bases) / Measurement Canada (Approval No. AM-5762 for Indicator; AM-5719 for square bases; AM-5675 for rectangular bases)
- Safety and EMC: UL_{US} 2005/95/EC low voltage directive: EN60950-1:2001, FCC Part 15 Class A 2004/108/EC Compliant to Directive 202/96/EC on waste electrical and electronic equipment (WEEE)
- Quality: OHAUS quality management system registered to ISO 9001:2008

OHAUS CORPORATION

*7 Campus Drive
Suite 310
Parsippany, NJ 07054 USA

Tel: 800.672.7722
973.377.9000
Fax: 973.944.7177

www.ohaus.com

With offices throughout
Europe, Asia and
Latin America

*ISO 9001:2008
Registered Quality
Management System

