

GS1042-SS



GS1042-SS - General Sensor

- ✓ Capacities 15-100kg
- ✓ Stainless steel construction
- ✓ Single point 400 x 400mm platform
- ✓ Replacement for Tedeo Model 1140 and TP40-SS.
- ✓ IP67 protection
- ✓ Available with metric and UNC threads



Totalcomp[®] Scales & Components

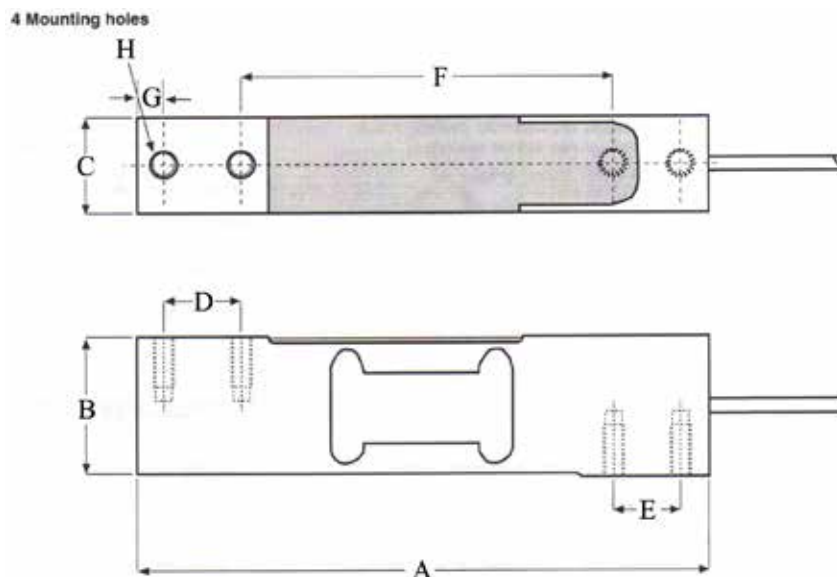
99 Reagent Lane * Fair Lawn, New Jersey 07410
Fax: 201-797-2287 * Toll Free Fax: 888-797-2288 * Phone: 201-797-2718 * Toll Free Phone: 800-631-0347
Email: sales@totalcomp.com * Website: www.totalcomp.com

Specifications

General Sensor

GS1042-SS

Replacement for Tedeia Model 1040. Mounting screws are 1/4-20 UNC(coarse) with 3/4" spacing on both top and bottom. These cells have a unique humidity resistant protective coating assures long term stability even under harsh environment and extreme temperatures. 2 mv/v, 0.02% total error, 9 ft 6 cond cable, 415/350 ohm, stainless steel.



Dimensions in inches

Capacity	A	B	C	D	E	F	G	H
1kg-30kg	5.90	1.57	0.79	0.75	0.75	3.94	0.25	1/4-20 UNF
50kg-250kg	5.90	1.57	1.00	0.75	0.75	3.94	0.25	1/4-20 UNF

TOTALCOMP LIMITED WARRANTY

Totalcomp warrants this product to be free of defects in materials and/or workmanship and suitable for the purpose(s) intended as outlined on this sheet. This warranty is effective and shall cover the purchaser for one year from the date of shipment from our plant. If this product is found to be defective by our inspection in accordance with the above listed criteria, we will replace or repair in at our expense. For warranty service, please obtain a return authorization number from us and return the item, shipping prepaid, with a written description of the problem. We will respond promptly with the results of our evaluation.



Scales & Components

99 Reagent Lane
Fair Lawn, NJ 07410
Fax (201) 797-2287
Toll Free Fax (888) 797 2288
Phone (201) 797-2718
Toll Free Phone (800) 631-0347
Email sales@totalcomp.com
Website www.totalcomp.com