

# M302

## Precision Health Scale



✓ 4 adjustable feet

✓ Rubber mat on the platform surface

✓ Step on function

✓ On/Off foot switch



**Totalcomp**<sup>®</sup> Scales & Components

99 Reagent Lane • Fair Lawn, New Jersey 07410

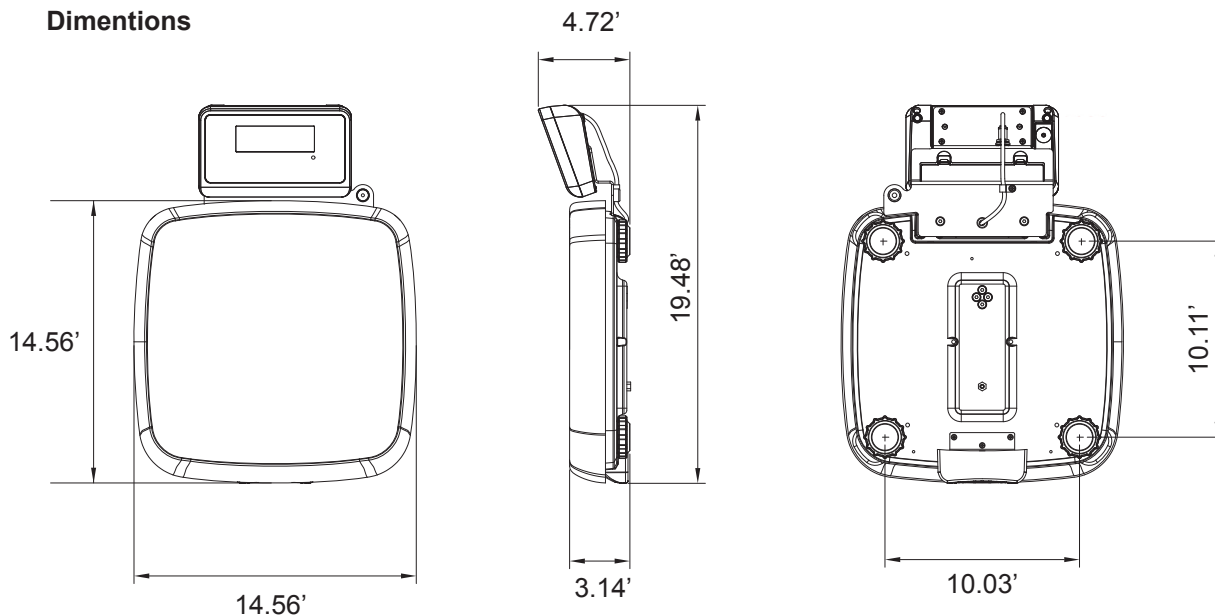
Fax: 201-797-2287 • Toll Free Fax: 888-797-2288 • Phone: 201-797-2718 • Toll Free Phone: 800-631-0347

Email: [sales@totalcomp.com](mailto:sales@totalcomp.com) • Website: [www.totalcomp.com](http://www.totalcomp.com)

## General Specifications

- Display **0.98 in** digit LCD display, with white LED backlight
- Capacity **500lb x 0.1lb**
- Platform size **370 x 370mm**
- Housing **ABS plastic**
- Max. Divisions **5,000d**
- ADC **Sigma delta**
- ADC update **≤1/10 second**
- Operating Temp. **-10°C~+40°C**
- Power **2000mAh Ni-MH battery package (size AA), external AC power adapter**
- Weight **19.7 lbs**
- Packing **Gross weight 22 lb**
- Optional **RS - 232 Output**

### Dimensions



### TOTALCOMP LIMITED WARRANTY

*Totalcomp* warrants this product to be free of defects in materials and/or workmanship and suitable for the purpose(s) intended as outlined on this sheet. This warranty is effective and shall cover the purchaser for one year from the date of shipment from our plant. If this product is found to be defective by our inspection in accordance with the above listed criteria, we will replace or repair it at our expense. For warranty service, please obtain a return authorization number from us and return the item, shipping prepaid, with a written description of the problem. We will respond promptly with the results of our evaluation.



# Totalcomp<sup>®</sup>

## Scales & Components

99 Reagent Lane  
Fair Lawn, NJ 07410  
Fax (201) 797-2287  
Toll Free Fax (888) 797-2288  
Phone (201) 797-2718  
Toll Free Phone (800) 631-0347  
Email [sales@totalcomp.com](mailto:sales@totalcomp.com)  
Website [www.totalcomp.com](http://www.totalcomp.com)