

T752

Canister



Totalcomp
T752

Top Quality from Totalcomp

- *Stainless Steel*
- *Reliable - durable precise*
- *Interchangeable with Toledo 752*
- *Capacities of 50,000 lb and 100,000 lb*
- *Environmentally sealed IP67*
- *50 ft 6 cond cable*

 **Totalcomp** Scales & Components

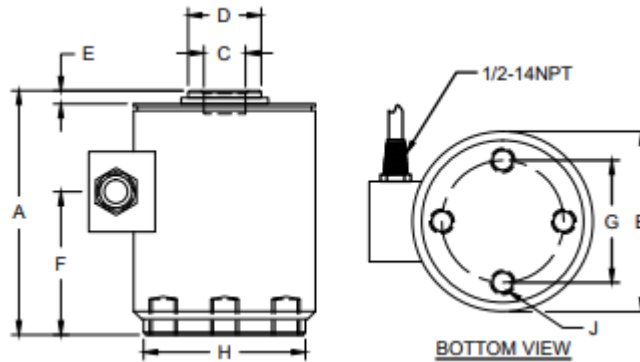
13-01 Pollitt Drive Ext, Fair Lawn NJ 07410
Phone 201-797-2718 Fax 201-797-2287

email: sales@totalcomp.com

Specifications

T752

The Totalcomp canister (T752) load cells are interchangeable with Toledo 752 series.. They are built to meet or exceed all manufacturers specs for this type of cell. They are constructed from stainless steel for washability and protection from harsh environments to IP67.



RATED CAPACITY	DIMENSIONS								
	A	B	C	D	E	F	G	H	J
50K	6.00	4.50	1.03	1.80	0.15	3.54	3.00	3.98	5/8-18 UNF x0.50 ▼
100K	8.12	6.00	1.53	2.28	0.56	4.75	4.00	5.47	3/4-16 UNF x0.75 ▼

Part Number	Capacity	Stock No	Weight
T752-50K-SS	50,000 lb	1147	16 lb
T752-100K-SS	100,000 lb	1148	31 lb

Performance

Full Scale Output	2.00 mv/v
Combined error	0.03% FS
Nonlinearity	0.05% FS
Hysteresis	0.03% FS
Creep in 30 min	0.03% FS
Non-Repeatabillity	0.01% FS
Zero Balance	1.0% FS
Overload, Safe	150% FS
Overload, Ultimate	300% FS

Electrical

Bridge Resistance	
Input	820 ohms
Output	775 ohms
Excitation Voltage	10VDC(15VDC Max)
Insulation Resistance	5KMohms@50VDC

Temperature

Compensated Range	-10 deg C to +40 deg C
Temperature Operating Range	-20 deg C to +60 deg C

Effect on Zero Balance

0.0027% FS/ deg C
Effect on FS Output
0.0015% FS/ deg C

Mechanical

Material	Stainless steel
Finish	Polished SS
Sealing	IP67

Wiring

Cable length & Type
50 foot, 6 conductor

Cable Color Code

+ Excitation	White
- Excitation	Blue
+ Output	Green
- Output	Black
+ Sense	Yellow
- Sense	Red
Shield	Bare

Totalcomp Limited Warranty

Totalcomp warrants this product to be free of defects in materials and/or workmanship and suitable for the purpose intended as outlined in this sheet. This warranty is effective and shall cover the purchaser for one year from the date of shipment from our plant. If this product is found to be defective by our inspection in accordance with the above listed criteria, we will replace or repair it at our expense. For warranty service, please obtain a return authorization number from us and return the item, shipping prepaid, with a written description of the problem. We will respond promptly with the results of our evaluation.

 **Totalcomp** Scales & Components

13-01 Pollitt Drive Ext, Fair Lawn NJ 07410

Phone 201-797-2718 Fax 201-797-2287 email: sales@totalcomp.com