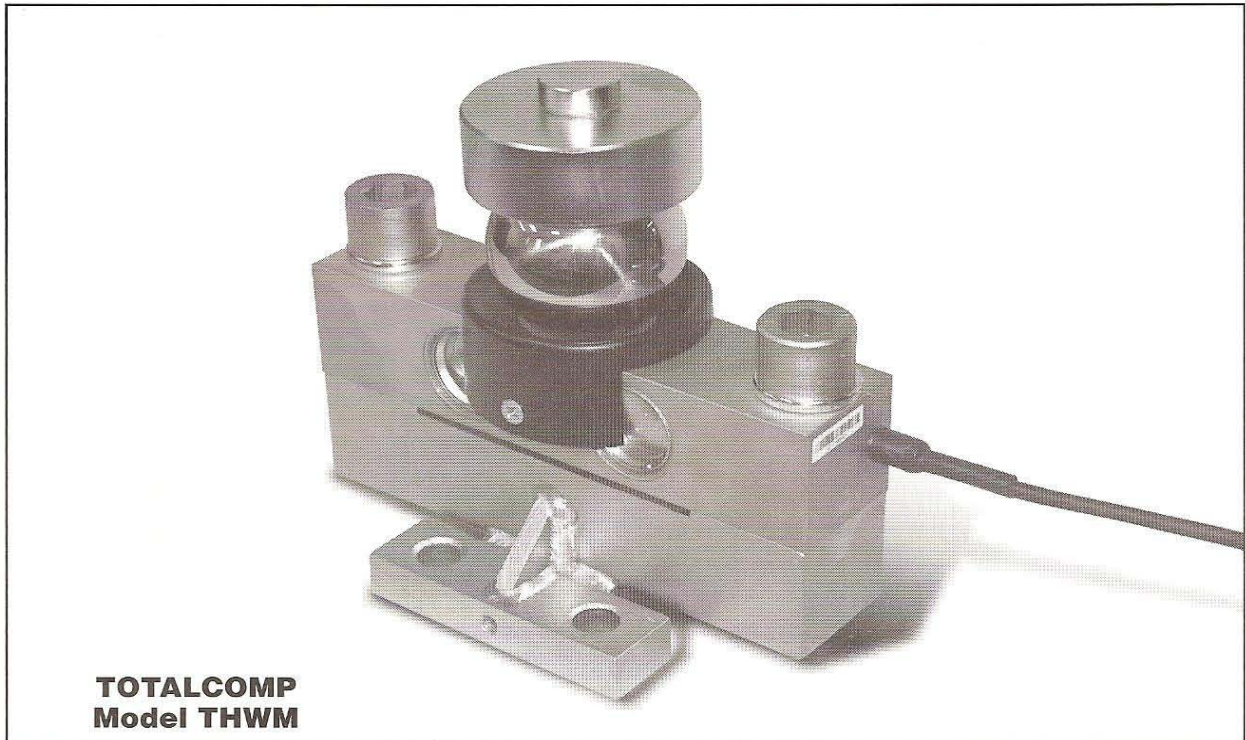


THWM

TRUCK LOAD CELL



**TOTALCOMP
Model THWM**

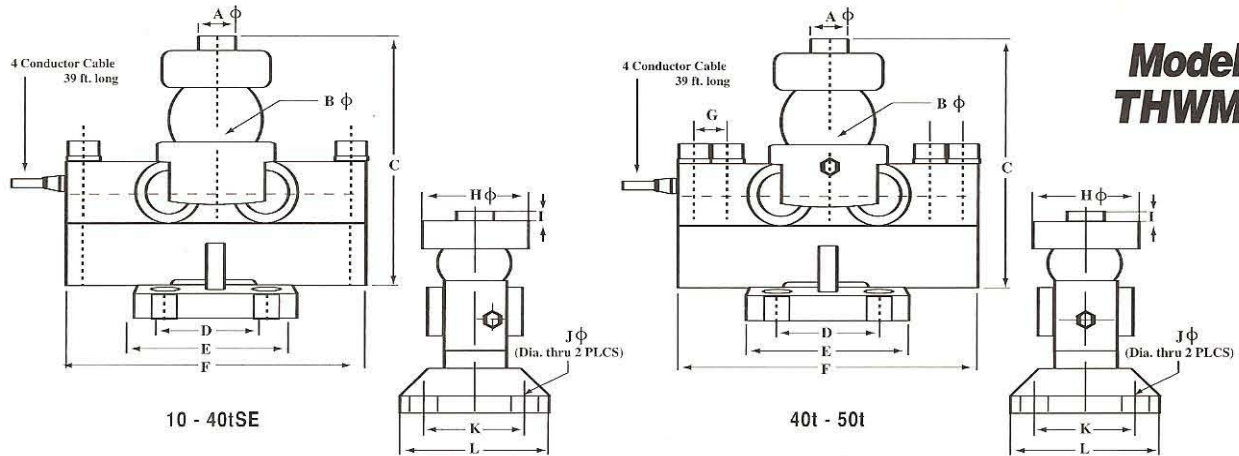
**Totalcomp's THWM suitable for
vehicle scales, truck scales and
other weighing applications.**

- ✓ **Accurate and repeatable performance.**
- ✓ **Strong and durable.**
- ✓ **300% overload protection.**
- ✓ **Alloy steel construction, nickel plated finish.**
- ✓ **Four conductor, 40 ft. cable.**
- ✓ **Capacities from 10 tons to 50 tons.**



Totalcomp[®] Scales & Components

99 Reagent Lane • Fair Lawn, New Jersey 07410
Fax: 201-797-2287 • Toll Free Fax: 888-797-2288 • Phone: 201-797-2718 • Toll Free Phone: 800-631-0347
Email: sales@totalcomp.com • Website: www.totalcomp.com



THWM TRUCK WEIGH MODULE

The *Totalcomp* THWM truck weigh module are designed for heavy-capacity applications. This easy-to-install weigh module can deliver accurate and repeatable performance in a heavy duty environment. Handles capacities from 10-50 tons while providing 300% overload protection. THWM comes standard with a welded seal.

Part Number	Capacity	Nominal	Weight	A	B	C	D	E	F	G	H	I	J	K	L
THWM 10t	10 t	20,000 lb.	8 lb.	1.18"	1.97"	7.68"	3.15"	4.92"	9.45"	-	3.46"	0.43"	0.71"	3.94"	5.31"
THWM 20t	20 t	40,000 lb.	8 lb.	1.18"	2.99"	8.86"	3.15"	4.92"	9.45"	-	3.46"	0.43"	0.71"	3.94"	5.31"
THWM 30t	30 t	60,000 lb.	10 lb.	1.18"	2.99"	8.86"	3.15"	4.92"	9.45"	-	3.46"	0.43"	0.71"	3.94"	5.31"
THWM 40tse	40 t	80,000 lb.	12 lb.	1.18"	2.99"	8.86"	3.15"	4.92"	9.45"	-	3.46"	0.43"	0.71"	3.94"	5.31"
THWM 40t	40 t	80,000 lb.	14 lb.	1.57"	3.22"	10.28"	4.92"	6.30"	13.39"	1.57"	3.78"	0.43"	0.87"	4.92"	6.30"
THWM 50t	50 t	100,000 lb.	14 lb.	1.57"	3.22"	10.28"	4.92"	6.30"	13.39"	1.57"	3.78"	0.43"	0.87"	4.92"	6.30"

Performance

Full Scale Output
2.00 mV/V

Combined Error
±0.02% FS

Nonlinearity
±0.17% FS

Hysteresis
±0.02%

Creep
±0.04% FS in 1 hour

Non-Repeatability
±0.02% FS

Zero Balance
±1.5% FS

Overload, Safe

150% FS

Overload, Ultimate
300% FS

Electrical

Bridge Resistance
Input 700+/-7 ohms
Output 700+/-7 ohms

Excitation Voltage
10VDC (15VDC Max)

Insulation Resistance
25KMohms@50VDC

Temperature

Compensated Range
-10°C to +40°C

Temperature Operating Range
-35°C to +69°C

Effect on Zero Balance
0.0065% FS/deg F

Effect on FS Output
0.00054% FS/deg F

Mechanical

Material
Alloy steel

Finish
Nickel plated

Sealing
Welded seal

Wiring

Cable Length & Type
40 foot, 4 conductor

Cable Color Code
+ Excitation Red
- Excitation Black
+ Output Green
- Output White
Shield Clear

TOTALCOMP LIMITED WARRANTY

Totalcomp warrants this product to be free of defects in materials and/or workmanship and suitable for the purpose(s) intended as outlined on this sheet. This warranty is effective and shall cover the purchaser for one year from the date of shipment from our plant. If this product is found to be defective by our inspection in accordance with the above listed criteria, we will replace or repair it at our expense. For warranty service, please obtain a return authorization number from us and return the item, shipping prepaid, with a written description of the problem. We will respond promptly with the results of our evaluation.



Totalcomp®

Scales & Components

99 Reagent Lane
Fair Lawn, NJ 07410
Fax (201) 797-2287
Toll Free Fax (888) 797-2288
Phone (201) 797-2718
Toll Free Phone (800) 631-0347
Email sales@totalcomp.com
Website www.totalcomp.com