

**TPR**



**TPR Pallet Jack**

# **An economical general purpose pallet jack scale for a variety of weighing applications**

✓ **52mm LCD display, with blue LCD backlight**

✓ **Easy to use-front panel configuration**

✓ **Rechargeable Battery provides up to 70hrs of continuous use. (without backlight)**



**Totalcomp**<sup>®</sup> Scales & Components

## TPR Pallet Jack Scale

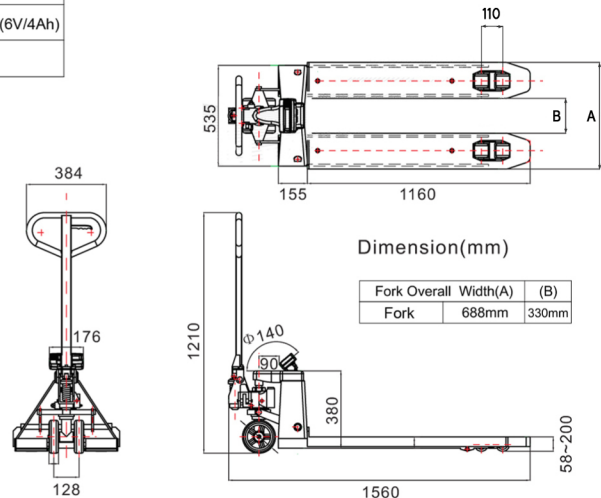
The Totalcomp TPR Pallet Jack Scale is economic and easy to use. With the large (52mm), back-lit LCD screen, the TPR is very user friendly. Instant weight readings are available as soon as the forks are raised. The application programs include: Accumulation, Hold function and unit conversion. With its rugged construction for long life and weight capacity of 5,000 lb, the TPR Pallet Jack Scale is the right tool for anyone in the market.

### Specifications:

Display:	52mm LCD
Capacity:	5,000 lb
Readability:	1 lb
Keypad:	7 keys mechanical switch
Indicator Housing:	ABS plastic
Max. Divisions:	5000:1
ADC:	sigma delta
ADC update:	≤1/10 second
Operating Temperature:	-10°C~+40°C
Power:	AC adapter (12V/500mA) rechargeable battery (6V/4Ah)
Gross Weight:	330 lbs

### Features:

Capacity 5,000 lb
Instant weight readings are available as soon as the forks are raised.
Application programs: hold function, accumulation, unit conversion
Easy access junction box
Rugged construction for long life
Rechargeable battery provides up to 40 hours of continuous use
7 mechanical keys



### TOTALCOMP LIMITED WARRANTY

Totalcomp warrants this product to be free of defects in materials and/or workmanship and suitable for the purpose(s) intended as outlined on this sheet. This warranty is effective and shall cover the purchaser for one year from the date of shipment from our plant. If this product is found to be defective by our inspection in accordance with the above listed criteria, we will replace or repair it at our expense. For warranty service, please obtain a return authorization number from us and return the item, shipping prepaid, with a written description of the problem. We will respond promptly with the results of our evaluation.



99 Reagent Lane  
Fair Lawn, NJ 07410  
Fax (201) 797-2287  
Toll Free Fax (888) 797-2288  
Phone (201) 797-2718  
Toll Free Phone (800) 631-0347  
Email [sales@totalcomp.com](mailto:sales@totalcomp.com)  
Website [www.totalcomp.com](http://www.totalcomp.com)