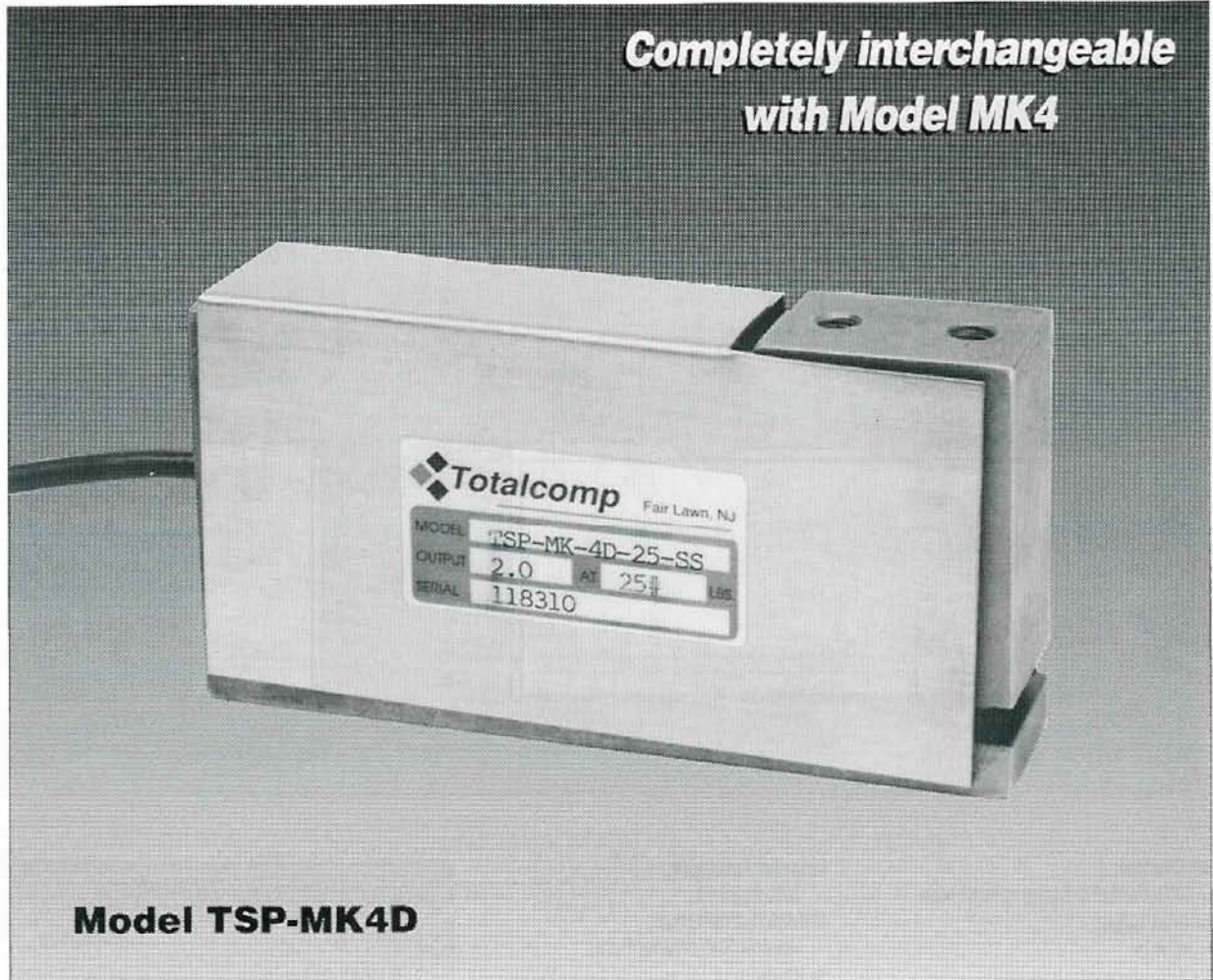


# PLATFORM LOAD CELLS

**Completely interchangeable  
with Model MK4**



**Model TSP-MK4D**

- ✓ **Stainless Steel or Nickel Plated Element.**
- ✓ **Environmentally protected.**
- ✓ **Includes 10ft. 4 cond. cable.**
- ✓ **Available in capacities from 10 to 100lbs.**
- ✓ **Electronic Accuracy.**

 **Totalcomp** Scales & Components

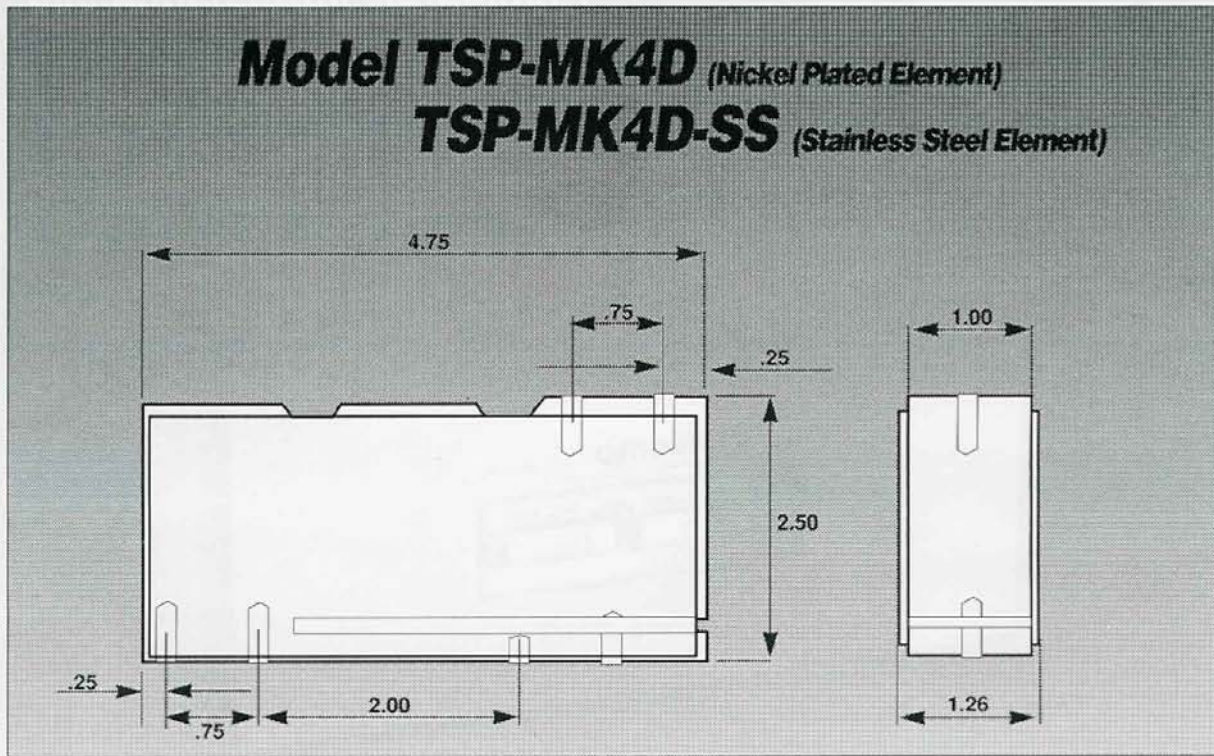
99 Reagent Lane • Fair Lawn, New Jersey 07410  
Fax: 201-797-2287 • Toll Free Fax: 888-797-2288 • Phone: 201-797-2718 • Toll Free Phone: 800-631-0347  
Email: [sales@totalcomp.com](mailto:sales@totalcomp.com) • Website: [www.totalcomp.com](http://www.totalcomp.com)

# SPECIFICATIONS

## PLATFORM LOAD CELL

**Model TSP-MK4D** (Nickel Plated Element)

**TSP-MK4D-SS** (Stainless Steel Element)



**Safe Overload:**

300% at center of loading point, full scale

**Full Scale Output:**

2.0 mV/V.

**Rated Excitation:**

10VAC/DC (15V maximum).

**Total Error:**

0.3% Full Scale

**Temperature:**

Operating Temperature Range

57°F to 252°F/14°C to 122°C

**Bridge Resistance:**

350 ohms

**Insulation Resistance:**

1000 megohms

**Element Material/Finish:**

Stainless Steel or Nickel Plated

**Seal Type:**

Environmentally protected

**Cable Length & Type:**

10 foot, 4 conductor cable.

**Cable Color Code:**

Red .....+ Excitation

Black .....- Excitation

White .....+ Signal

Green .....- Signal

**Totalcomp TSP-MK4D**

**Model No.**

**Capacity**

TSP-MK4D-10

10lb.

TSP-MK4D-15

15lb.

TSP-MK4D-25

25lb.

TSP-MK4D-30

30lb.

TSP-MK4D-50

50lb.

TSP-MK4D-100

100lb.

**TOTALCOMP LIMITED WARRANTY**

Totalcomp warrants this products to be free of defects in materials and/or workmanship and suitable for the purpose(s) intended as outlined on this sheet. This warranty is effective and shall cover the purchaser for one year from the date of shipment from our plant. If this product is found to be defective by our inspection in accordance with the above listed criteria, we will replace or repair it at our expense. For warranty service, please obtain a return authorization number from us and return the item, shipping prepaid, with a written description of the problem. We will respond promptly with the results of our evaluation.



**Totalcomp**®

**Scales & Components**

**99 Reagent Lane**

**Fair Lawn, NJ 07410**

**Fax (201) 797-2287**

**Toll Free Fax (888) 797-2288**

**Phone (201) 797-2718**

**Toll Free Phone (800) 631-0347**

**Email sales@totalcomp.com**

**Website www.totalcomp.com**