

WE2107M

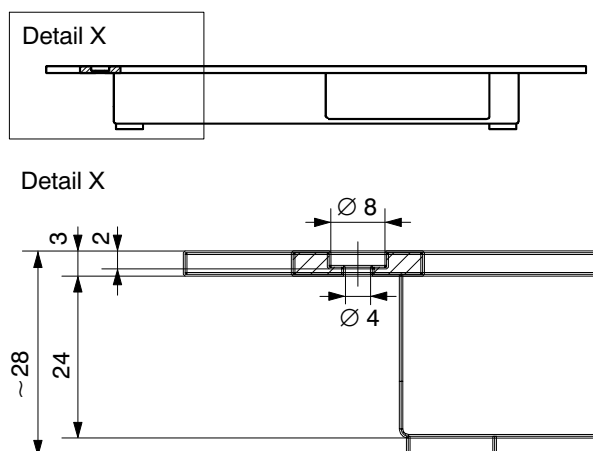
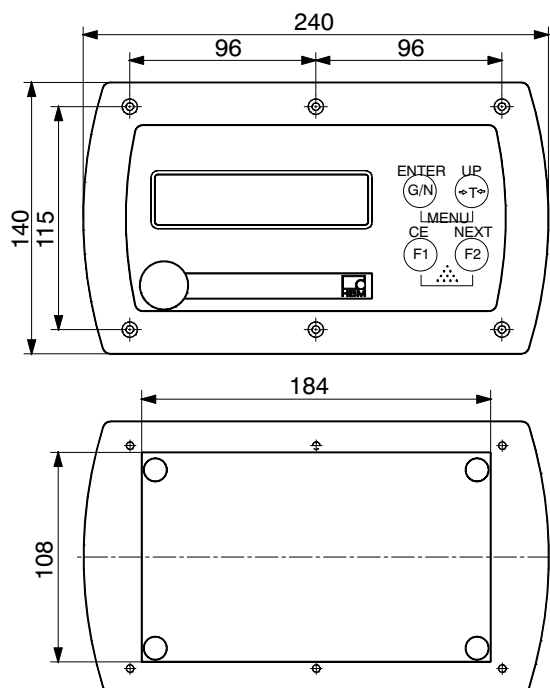
Weighing indicator
(NAWI) in stainless steel
housing

Special features

- OIML test report to 6000 d
- Use as 1, 2 or 3-range scale
- Four limit value switches with hysteresis
- RS 485 interface
- Two digital control inputs
- Four digital outputs (limit value switches or filling/batching control)
- Degree of protection IP65



Dimensions (in mm; 1 mm = 0.03937 inches)



Specifications

Type		WE2107M									
Max. number of calibration values as per OIML R76 (Class III, IIII)	d = e	6000; Multirange									
Multi-range application	d = e	2x3000; 3x2000									
Input sensitivity	$\mu\text{V}/\text{e}$	$\geq 0.6^*)$									
Measuring range	mV/V	± 2 ; max. ± 3.2									
Minimum load cell resistance	Ω	58									
Maximum load cell resistance	Ω	4000									
Load cell supply	V_{DC}	5									
Cable length between WE2107 and load cell(s)	m	max. 100 (206 m/mm ² *)									
Data rate	Meas./s	200									
Filter, adjustable, FMD0	cut-off frequency (-3 dB)	0.0625	0.125	0.25	0.5	1	2	4	8	25	
	settling time	16000	8000	4000	2000	1000	500	250	125	80	
FMD1	cut-off frequency (-3 dB)	2	2,5	3	4	5	6	7	8	10	
	settling time	566	450	380	310	240	170	160	150	140	
Voltage supply without connected analog output	V_{DC}	12...30; 24 nominal									
Voltage supply with connected analog output	V_{DC}	18 ... 30; 24 nominal									
Power consumption (incl. lighting)	W	6									
Display		LCD with backlighting									
Character height	mm	20									
Status display		Zero, net, standstill, unit, range									
Keys		Membrane keypad (tactile feedback)									
Number of digital inputs		2									
Input voltage IN1/2, Low	V	0...1.0									
Input voltage IN1/2, High	V	3...30									
Input resistance	k Ω	10									
Number of digital outputs (High side switch)		4									
Max. output current/output	A	0.6									
Voltage supply, outputs	V	12...30; 24 nominal									
Interface (COM1)		RS 485									
Baud rate, adjustable	Bd	1200 ... 38400									
Interface functions (COM2)		Print, serial display (automatic output), PC connection via RS 232									
Analog output	mA	4 ... 20									
Burden	Ω	100 ... 500									
Resolution	bit	10									
Nominal (rated) temperature range	$^{\circ}\text{C}$	-10 ... +50 (-10 ... +40) ^{*)}									
Operating temperature range	$^{\circ}\text{C}$	-20 ... +60									
Storage temperature range	$^{\circ}\text{C}$	-40 ... +85									
Weight, approx.	kg	1									
Degree of protection per EN 60 529 (IEC 529)		IP65 (front only)									
Interference immunity (EMC) as per EN 45 501 (3 V/m)		Additionally tested to 10 V/m									
Housing material		Stainless steel (front only)									

*) in accordance with OIML R76, legal for trade

Order No.: 1-WE2107M-SS-1

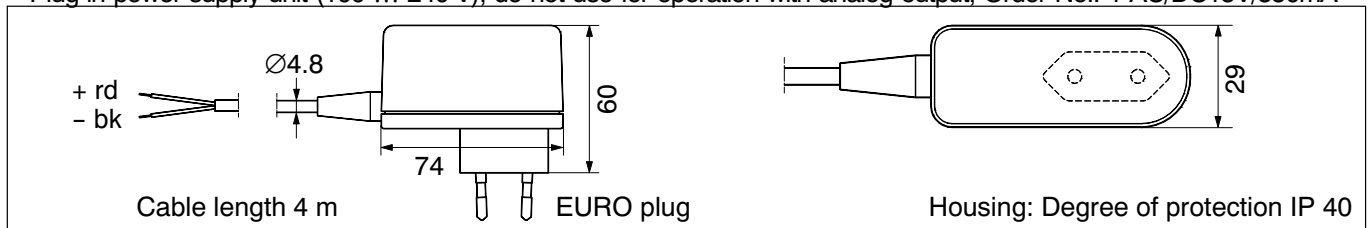
Accessories

Included in scope of supply:

- CD ROM with WE2107 Panel Program, Command description for PC connection and documentation

To be ordered separately:

- Plug-in power supply unit (100 ... 240 V), do not use for operation with analog output, Order No.: 1-AC/DC15V/550mA



Modifications reserved.

All details describe our products in general form only. They are not to be understood as express warranty and do not constitute any liability whatsoever.

Hottinger Baldwin Messtechnik GmbH

Im Tiefen See 45 · 64293 Darmstadt · Germany
Tel. +49 6151 803-0 · Fax: +49 6151 803-9100
Email: info@hbm.com · www.hbm.com



measure and predict with confidence