


# PRECISION BALANCES WLY




Precise balances of WLY are the response for the growing market demands concerning simple operation and maximum automation of the weighing process.

Balances equipped in a new electronic modules and are operated using a touch panel covering a 5.7" colour graphic display. Y scales have implemented new easily operated software.


- Counting pieces
- Summing function
- Filling
- Checkweighing
- Labelling
- Percentage
- Statistics
- Formulation
- Under-hook weighing
- Infrared sensors



**Separable Indicator**  
The possibility of detach the indicator from the weighing chamber significantly limits shocks and vibrations that are moved on the weighing chamber, reduces imensions and increases the ergonomics of operation.



**5,7" touch screen**  
Infrared proximity sensors  
Programmable 40 functions (PRINT, TARE and others).



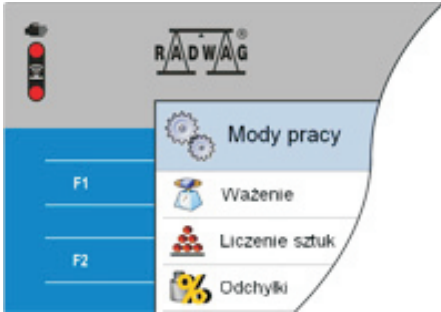
**Communication interfaces**

- Ethernet
- 2×RS 232
- 2×USB
- 4 in/4 out



**Data exchange through USB storage devices**

- update balance software
- export weighing data



In standard scale has built in function of "Counting pieces" and "Checkweighing".

**Technical data:**

	WLY 0,6/1,2/D2 <b>M</b>	WLY 1,2/3/D2 <b>M</b>	WLY 1/D2	WLY 2/D2
Max capacity	0,6/1,2 kg	1,2/3 kg	1 kg	2 kg
Minimal load	0,5 g	1 g	-	-
Readability	0,01/0,02 g	0,02/0,05 g	0,01 g	0,01 g
Verifying unit	0,1/0,2 g	0,2/0,5 g	-	-
Tare range	-1,2 kg	-3 kg	-1 kg	-2 kg
Repeatability	0,01/0,02 g	0,02/0,05 g	0,03 g	0,03 g
Linearity	±0,01/0,02 g	±0,02/0,05 g	±0,03 g	±0,03 g
OIML class	II	II	-	-
Pan size	195×195 mm			
Stabilization time	3 s			
Working temperature	+15 ° - +30 °C			
Storage temperature	-25 ° - +70 °C			
IP rating	IP 54			
Power supply	110÷230VAC 50/60Hz / 10,5÷15VDC			
Calibration	external			
Display	5,7" touch screen			
Interface	2×USB, 2×RS 232, Ethernet, 4 I/O digital			
Net weight/Gross weight	2,7/3,6 kg			
Packaging size	490×300×150 mm			

**Technical data:**

	WLY 3/6/D2 <b>M</b>	WLY 6/12/D2 <b>M</b>	WLY 6/D2	WLY 10/D2	WLY 20/D2
Max capacity	3/6 kg	6/12 kg	6 kg	10 kg	20 kg
Minimal load	2,5 g	5 g	-	-	-
Readability	0,05/0,1 g	0,1/0,2 g	0,1 g	0,1 g	0,1 g
Verifying unit	0,5/1 g	1/2 g	-	-	-
Tare range	-6 kg	-12 kg	-6 kg	-10 kg	-20 kg
Repeatability	0,05/0,1 g	0,1/0,2 g	0,3 g	0,3 g	0,3 g
Linearity	±0,05/0,1 g	±0,1/0,2 g	±0,3 g	±0,3 g	±0,3 g
OIML class	II	II	-	-	-
Pan size	195×195 mm				
Stabilization time	3 s				
Working temperature	+15 ° - +30 °C				
Storage temperature	-25 ° - +70 °C				
IP rating	IP 54				
Power supply	110÷230VAC 50/60Hz / 10,5÷15VDC				
Calibration	external				
Display	5,7" touch screen				
Interface	2×USB, 2×RS 232, Ethernet, 4 I/O digital				
Net weight/Gross weight	2,7/3,6 kg				
Packaging size	490×300×150 mm				

**Technical data:**

	WLY 6/C1/R WLY 6/C1/K	WLY 12/C1/R WLY 12/C1/K	WLY 30/C1/R WLY 30/C1/K	WLY 6/12/C1/R WLY 6/12/C1/K	WLY 12/30/C1/R WLY 12/30/C1/K
	-	-	-	<b>M</b>	<b>M</b>
Max capacity	6 kg	12 kg	30 kg	6/12 kg	12/30 kg
Minimal load	-	-	-	5 g	10 g
Readability	0,1 g	0,2 g	0,5 g	0,1/0,2 g	0,2/0,5 g
Verifying unit	-	-	-	1/2 g	2/5 g
Tare range	-6 kg	-12 kg	-30 kg	-12 kg	-30 kg
Repeatability	0,3 g	0,6 g	1,5 g	0,1/0,2 g	0,2/0,5 g
Linearity	±0,3 g	±0,6 g	±1,5 g	±0,1/0,2 g	±0,2/0,5 g
OIML class	-	-	-	II	II
Pan size	360×290 mm				
Stabilization time	3 s				
Working temperature	+15 ° - +30 °C				
Storage temperature	-25 ° - +70 °C				
IP rating	IP 54				
Power supply	110÷230VAC 50/60Hz / 10,5÷15VDC				
Calibration	external				
Display	5,7" touch screen				
Interface	2×USB, 2×RS 232, Ethernet, 4 I/O digital				
Net weight/Gross weight	6,5/7,8 kg				
Packaging size	550×420×220 mm				

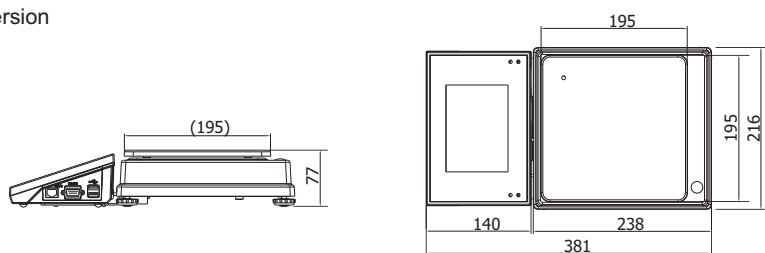
**Technical data:**

	WLY 60/C2/R WLY 60/C2/K	WLY 60/C2/R WLY 60/C2/K	WLY 120/C2/R WLY 120/C2/K	WLY 60/120/C2/R WLY 60/120/C2/K
	<b>M</b>	-	-	<b>M</b>
Max capacity	60 kg	60 kg	120 kg	60/120 kg
Minimal load	50 g	-	-	50 g
Readability	1 g	1 g	2 g	1/2 g
Verifying unit	10 g	-	-	10/20 g
Tare range	-60 kg	-60 kg	-120 kg	-120 kg
Repeatability	3 g	3 g	6 g	1/2 g
Linearity	±3 g	±3 g	±6 g	±1/2 g
OIML class	II	-	-	II
Pan size	400×500 mm			
Stabilization time	3 s			
Working temperature	+15 ° - +30 °C			
Storage temperature	-25 ° - +70 °C			
IP rating	IP 54			
Power supply	110÷230VAC 50/60Hz / 10,5÷15VDC			
Calibration	external			
Display	5,7" touch screen			
Interface	2×USB, 2×RS 232, Ethernet, 4 I/O digital			
Net weight/Gross weight	15,5/17,8 kg			
Packaging size	720×580×220 mm			

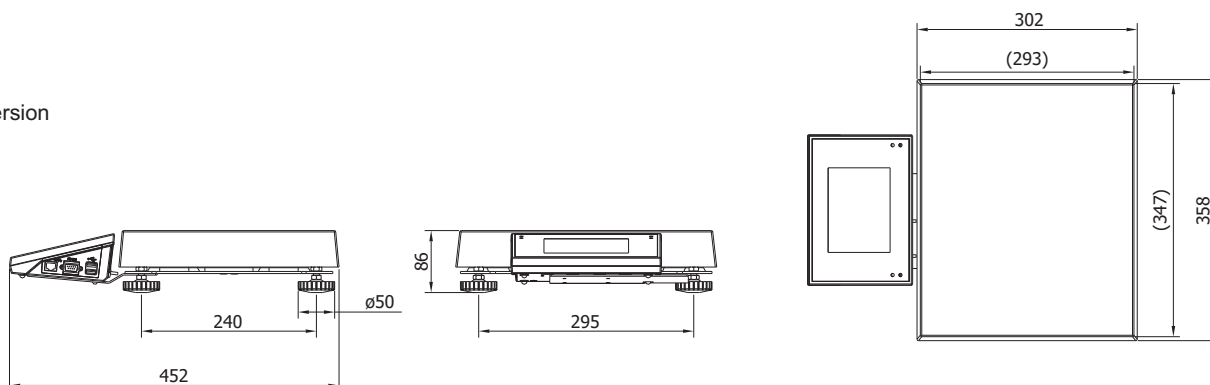
## Additional equipment:

"Kafka" thermal printer	Density determination kit
"Epson" needle printer	Power adapter with battery and charger
"Citizen" label printer	Suitcase for balance
PC keyboard type PS/2	"PW-WIN 2004" computer software
Rack for under hook weighing	"RAD-KEY 2000" computer software
LCD display	RS 232 cable: scale - thermal printer: P0136
Calibration weight	RS 232 cable: scale - "Epson/Citizen" printer: P0151
Standard mass	RS 232 cable: scale - computer: P0108

D2 version



C1 version



C2 version

