

# 106TS

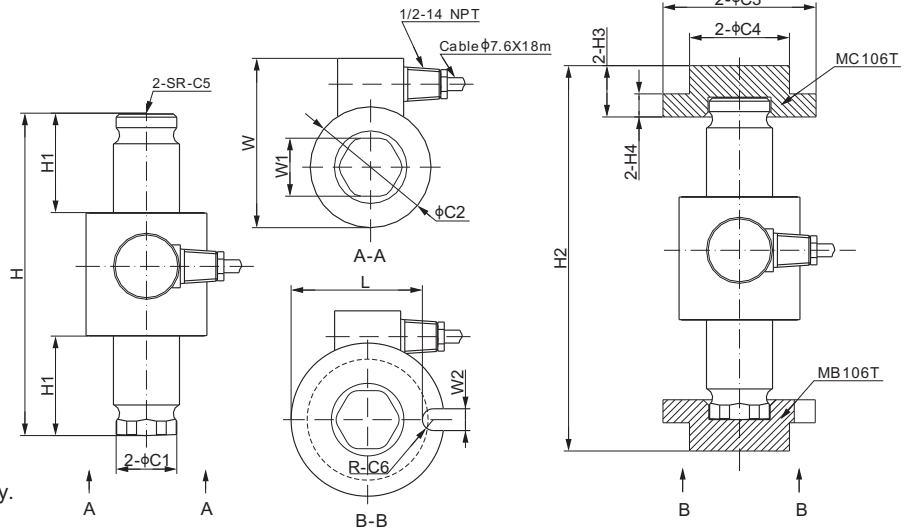


## Stainless Steel



CE RoHS

Mounting hardware to be ordered separately.



### DIMENSIONS

RATED CAPACITY	C1	C2	C3	C4	C5	C6	H	H1	H2	H3	H4	L	W	W1	W2
<b>Klb/inches</b>															
50-100	1.48	2.95	3.74	2.44	11.02	0.27	7.88	2.43	9.41	1.25	0.56	3.21	4.13	1.41	0.53
<b>t/mm</b>															
SE30	37.7	75.0	95.0	62.0	160.0	6.75	150.0	37.0	189.0	31.8	14.3	81.5	105.0	35.7	13.5
30	37.7	75.0	95.0	62.0	280.0	6.75	200.0	61.7	239.0	31.8	14.3	81.5	105.0	35.7	13.5

### SPECIFICATIONS

<b>Full Scale Output</b>	2.0 mV/V ± 0.1%	<b>Recommended Excitation</b>	10V (15V Maximum)
<b>Zero Balance</b>	± 0.02 mV/V	<b>Insulation Resistance</b>	> 2 [ 50V DC ] GΩ
<b>Non-linearity</b>	< ± 0.030%	<b>Compensated Temperature Range</b>	-10°C to 50°C / 14°F to 122°F
<b>Repeatability</b>	< ± 0.017%	<b>Safe Overload</b>	150% of full scale
<b>Hysteresis Error</b>	< ± 0.017%	<b>Breaking Overload</b>	300% of full scale
<b>Creep in 30 min.</b>	< ± 0.020%	<b>Seal Type / IP Rating</b>	Welded Seal / IP68
<b>Input Resistance</b>	1150Ω ± 50	<b>Cable Color Code</b>	Exc+ Red      Exc- Black
<b>Output Resistance</b>	1000Ω ± 5		Sig+ Green    Sig- White
<b>Element Material</b>	2Cr13 Stainless Steel		Shield Bare

### PART NUMBER

Load Cell		Weight
Rated Capacity	Part No.	(kg) Approx.
50Klb.....	106TS-50Klb-YZ.....	4.2
100Klb.....	106TS-100Klb-YZ.....	4.4
SE30t.....	106TS-SE30t-YZ.....	3.7
30t.....	106TS-30t-YZ.....	5.8

Mounting Hardware		Weight	
Description	Load Cell Capacity	Part No.	(kg) Approx.
Stainless Steel 2Cr13:			
Cap.....	50Klb,100Klb,SE30t,30t.....	MC106TS-(50-100)Klb-YZ	..1.1
Base.....	50Klb,100Klb,SE30t,30t.....	MB106TS-(50-100)Klb-YZ	..1.1

Rated Capacity	Part Number	INTERCHANGEABLE REFERENCE	
		Coti-Global	Mettler-Toledo**
50Klb	106TS-50Klb-YZ		Powercell 760/MTX*
100Klb	106TS-100Klb-YZ		Powercell 760/MTX*
SE30t	106TS-SE30t-YZ	CG-26S7-30t	0782, 30t
30t	106TS-30t-YZ	CG-26S7-30t-797	Powercell 760/MTX*

\* Powercell 760 and MTX are digital load cells.  
 \*\* Option to replace Mettler Toledo PDX SLC820, please check next page.



NTEP 1:10 000 Class IIIIL, Multiple Cell



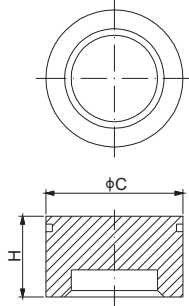
OIML MAA C3, Y=16 000

CANISTERS & DISKS

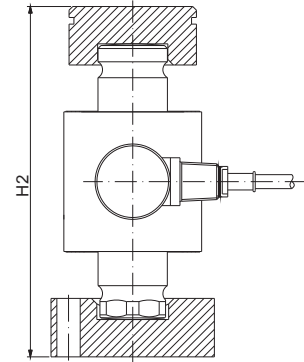
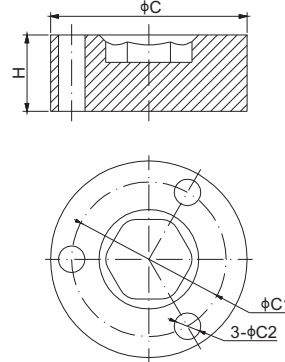
For applications that need to replace Mettler Toledo Powercell PDX (SLC820) 30t, you have options too: Order mounting variation A or B with 106TS-SE30t-YZ.

### Mounting variation A:

**Mounting Cap:** MC106TS-A1-YZ



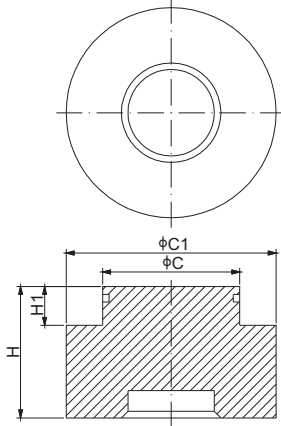
**Mounting Base:** MB106TS-A1-YZ



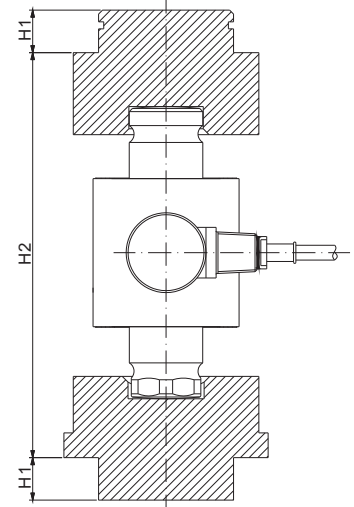
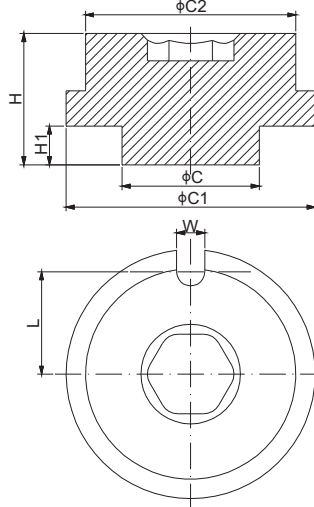
PART NUMBER	RATED CAPACITY	DIMENSIONS							
		C	C1	C2	H	H1	H2	L	W
	<b>t/mm</b>								
MC106TS-A1-YZ	30	69.3	-	-	31.8	-	190.6	-	-
MB106TS-A1-YZ	30	88.9	69.9	12.7	31.8	-	190.6	-	-
	<b>Klb/inches</b> (conversion of above dimensions)								
MC106TS-A1-YZ	66.14	2.73	-	-	1.25	-	7.5	-	-
MB106TS-A1-YZ	66.14	3.50	2.75	0.50	1.25	-	7.5	-	-

### Mounting variation B:

**Mounting Cap:** MC106TS-B1-YZ



**Mounting Base:** MB106TS-B1-YZ



PART NUMBER	RATED CAPACITY	DIMENSIONS							
		C	C1	C2	H	H1	H2	L	W
	<b>t/mm</b>								
MC106TS-B1-YZ	30	69.3	95.3	-	63.5	21.8	207.9	-	-
MB106TS-B1-YZ	30	69.3	104.9	95.3	63.5	21.8	207.9	46.2	12.7
	<b>Klb/inches</b> (conversion of above dimensions)								
MC106TS-B1-YZ	66.14	2.73	3.75	-	2.50	0.86	8.19	-	-
MB106TS-B1-YZ	66.14	2.73	4.13	3.75	2.50	0.86	8.19	1.82	0.50