

# BM14G



- BM14G load cells are available in the capacities 10t~50t.
- Stainless steel construction, hermetically welded, oil proof, waterproof, anti-corrosive gas and medium making it lightning protected in all kinds of environments.
- Column structure, anti-reversal design, good self-aligning ability, suitable for electronic platform scales, automobile testing facilities, hopper scales and other electronic weighing devices.

### Features

- Capacity 10t~50t
- High accuracy
- Stainless steel construction
- Easy installation and reliable performance
- PTB Approval No: D09-05.21 Revision 1

### Accessories

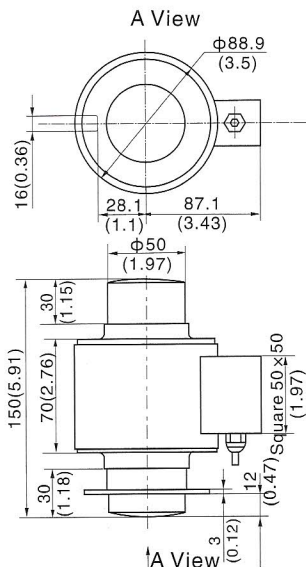
- BY-14-105 • BY-14-106
- BY-14-108

### Specifications

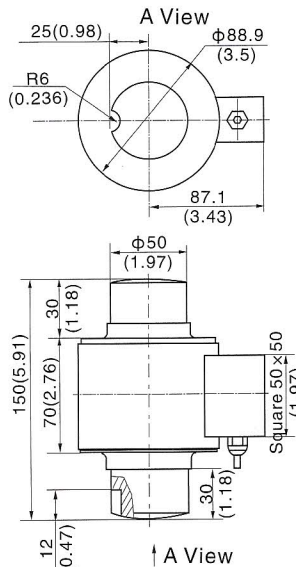
Capacity	t	10/20/30/40/50				
		C2	C3	C4	A5S	A5M
Accuracy						
Approvals			OIML R60 C3			
Maximum number of verification intervals	n <sub>max</sub>	2000	3000	4000	5000	5000
Minimum load cell verification interval	v <sub>min</sub>	E <sub>max</sub> /5000	E <sub>max</sub> /10000	E <sub>max</sub> /14000	E <sub>max</sub> /15000	E <sub>max</sub> /15000
Combined error	(%FS)	≤ ±0.030	≤ ±0.020	≤ ±0.018	≤ ±0.018	≤ ±0.026
Creep	(%FS/30min)	≤ ±0.024	≤ ±0.016	≤ ±0.012	≤ ±0.012	≤ ±0.017
Temperature effect on sensitivity	(%FS/10°C)	≤ ±0.017	≤ ±0.011	≤ ±0.009	≤ ±0.009	≤ ±0.013
Temperature effect on zero	(%FS/10°C)	≤ ±0.023	≤ ±0.015	≤ ±0.010	≤ ±0.010	≤ ±0.014
Output sensitivity	(mv/v)	2.0±0.02				
Input resistance	(Ω)	700±7				
Output resistance	(Ω)	703±4				
Insulation resistance	(MΩ)	≥5000(50VDC)				
Zero balance	(%FS)	1.0				
Temperature, compensated	(°C)	-10~+40				
Temperature, operating	(°C)	-35~+70				
Excitation, recommended	(V)	5~12(DC)				
Excitation, max	(V)	18(DC)				
Safe overload	(%FS)	150				
Ultimate overload	(%FS)	300				

### Outline Dimension mm(inch)

BM14G-XX-XX-XB

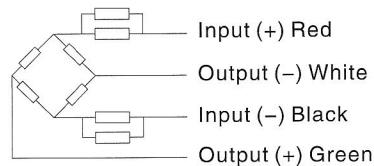


BM14G-XX-XX-XB-W1



### Note:

- BM14G-XX-XX-XB type is not suitable for the following countries: UK, France, Germany, Italy, The Netherlands.
- Users can choose different structures of BM14G products, or contact with ZEMIC sales representatives for further products information.



### Wiring:

Adopt shielded, 4 conductor cable: φ5mm  
Standard cable length: 15m