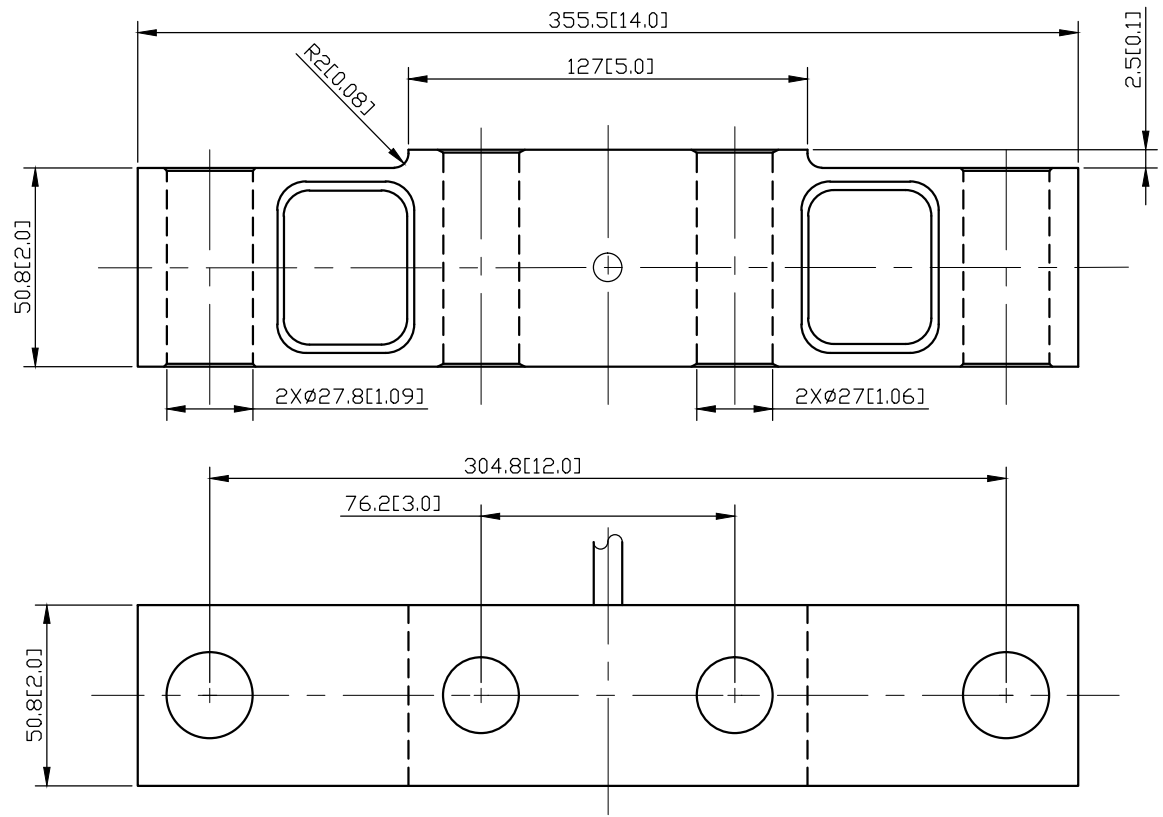


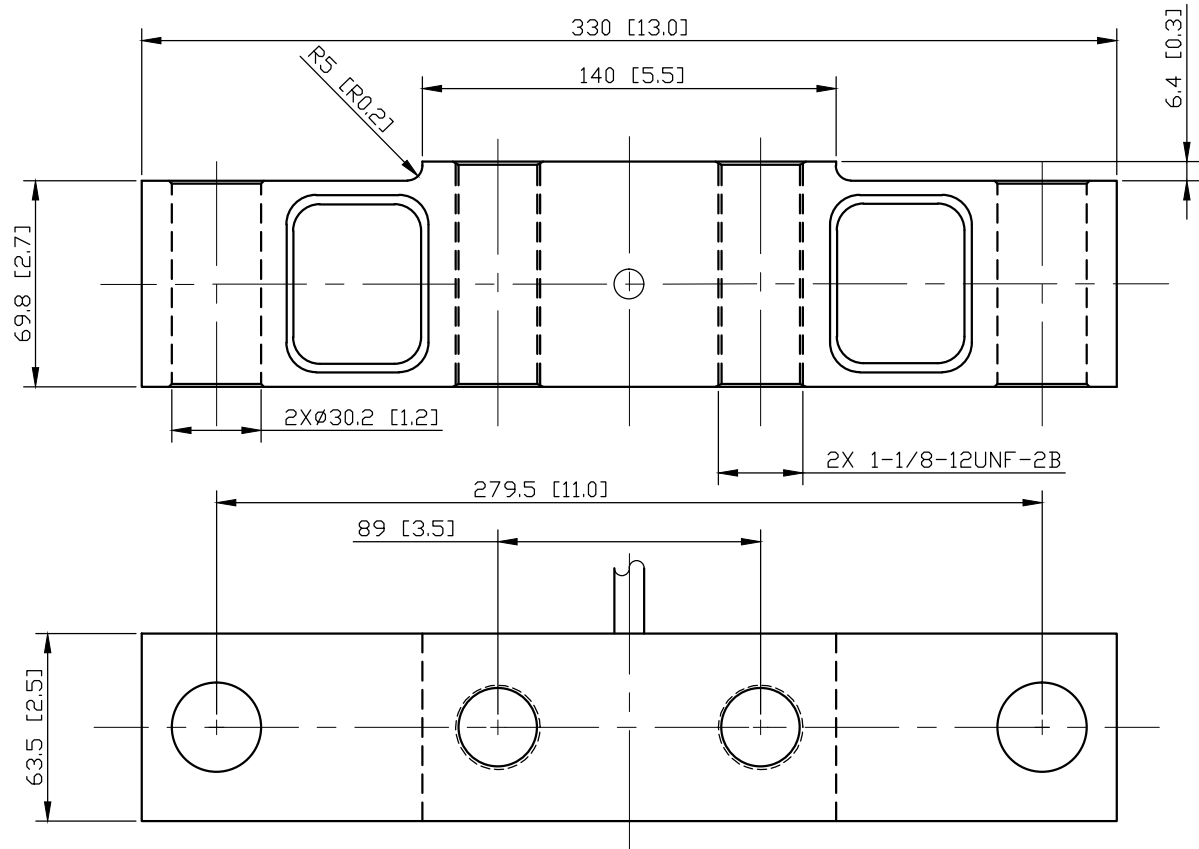
**Notes:**

1. 12.5K Capacity at 2.00 mv/v
2. 700 Ohm Bridge
3. Alloy Steel, Nickel Plated
4. 35 Foot Cable
5. IP-67 Environmental Protection
6. Max. Excitation Voltage, 15VDC
7. Safe Overload, 150% FS
8. Ultimate Overload, 300% FS
9. Non-Linearity, 0.10% FS
10. Compensation Temp, -10 to +40C
11. Dimensions: mm[inches]
12. Cable Color Codes:
  - Green + Excitation
  - Black - Excitation
  - White + Signal
  - RED - Signal
13. VCAP Certified
14. ISO-9001 Registered



**Notes:**

1. 25K Capacity at 2.00 mv/v
2. 700 Ohm Bridge
3. Alloy Steel, Nickel Plated
4. 35 Foot Cable
5. IP-67 Environmental Protection
6. Max. Excitation Voltage, 15VDC
7. Safe Overload, 150% FS
8. Ultimate Overload, 300% FS
9. Non-Linearity, 0.10% FS
10. Compensation Temp, -10 to +40C
11. Dimensions: mm[inches]
12. Cable Color Codes:
  - Green + Excitation
  - Black - Excitation
  - White + Signal
  - RED - Signal
13. VCAP Certified
14. ISO-9001 Registered



**Notes:**

1. 75K Capacity at 3.00 mv/v
2. 700 Ohm Bridge
3. Alloy Steel, Nickel Plated
4. 35 Foot Cable
5. IP-67 Environmental Protection
6. Max. Excitation Voltage, 15VDC
7. Safe Overload, 150% FS
8. Ultimate Overload, 300% FS
9. Non-Linearity, 0.25% FS
10. Compensation Temp, -10 to +40C
11. Dimensions: mm[inches]
12. Cable Color Codes:
  - Green + Excitation
  - Black - Excitation
  - White + Signal
  - RED - Signal
13. VCAP Certified
14. ISO-9001 Registered