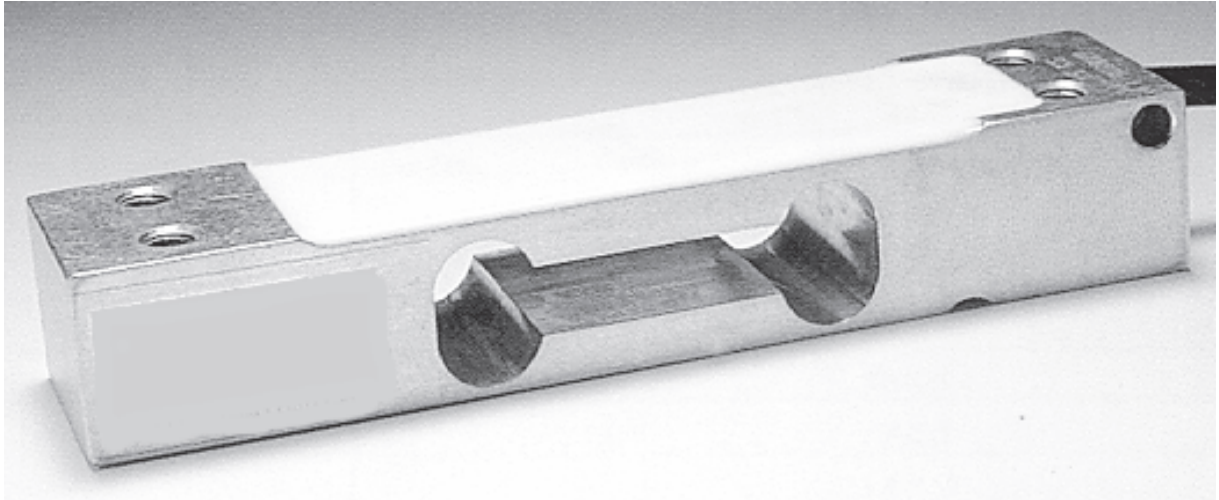


GS1022



GS1022 - General Sensor

- ✓ GC2G1 except for the 3kg, 5kg and 30kg capacities.
- ✓ Interchangeable with NMB C2G1
- ✓ 2 mv/v +/-10%, 0.02% total error
- ✓ M6 thread mounting holes on all capacities
- ✓ 415/350 ohms
- ✓ 10 ft 4 cond cable, anodized aluminum

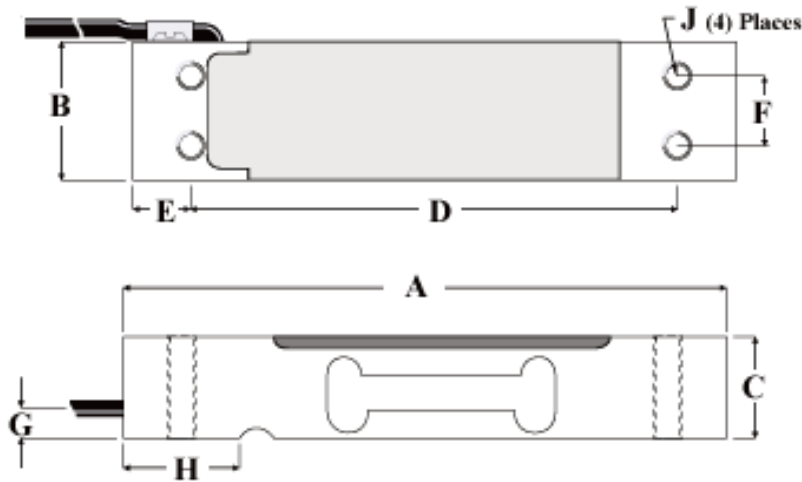


Totalcomp[®] Scales & Components

99 Reagent Lane * Fair Lawn, New Jersey 07410
Fax: 201-797-2287 * Toll Free Fax: 888-797-2288 * Phone: 201-797-2718 * Toll Free Phone: 800-631-0347
Email: sales@totalcomp.com * Website: www.totalcomp.com

GS1022 - General Sensor

Interchangeable with NMB C2G1, Scaime EP, General Sensor GC2G1 except for the 3kg, 5kg and 30kg capacities. M6 thread mounting holes on all capacities.
2 mv/v +/-10%, 0.02% total error, 415/350 ohms, 10 ft 4 cond cable, anodized aluminum.



Dimensions in inches

Capacity	A	B	C	D	E	F	G	H	J
3kg*	2.76	0.59	0.86	2.28	0.24	0.28	0.25	0.50	M3
3kg - 30kg	5.11	1.18	0.86	4.17	0.47	0.59	0.22	0.98	M6

*Smaller envelope

Full Scale Output:
2.0 mV/V

Output Resistance:
350 ohms +/- 3

Input Resistance:
415 ohms +/- 15

Material/Finish:
Anodized aluminum

Temperature:
Compensated range
14°F to 104°F/-10°C to 40°C

Safe Overload:
150% Full scale

Rated Excitation:
10V DC (15V maximum)

Total Error:
0.02% Full scale

Insulation Resistance:
2000 megohms

Seal Type:
Environmentally sealed

Cable Length:
1.5 ft/ 0.5 m
10 ft/ 3 m

Cable Diameter:
.140 PVC jacket

Cable Color Code:
Green+ Excitation
Black- Excitation
Red+ Signal
White- Signal

Platform Size:
13.78 in x 13.78 in

Warranty:
One-year limited warranty

TOTALCOMP LIMITED WARRANTY

Totalcomp warrants this product to be free of defects in materials and/or workmanship and suitable for the purpose(s) intended as outlined on this sheet. This warranty is effective and shall cover the purchaser for one year from the date of shipment from our plant. If this product is found to be defective by our inspection in accordance with the above listed criteria, we will replace or repair in at our expense. For warranty service, please obtain a return authorization number from us and return the item, shipping prepaid, with a written description of the problem. We will respond promptly with the results of our evaluation.



Scales & Components

99 Reagent Lane
Fair Lawn, NJ 07410
Fax (201) 797-2287
Toll Free Fax (888) 797 2288
Phone (201) 797-2718
Toll Free Phone (800) 631-0347
Email sales@totalcomp.com
Website www.totalcomp.com