

# GS1042



## GS1042 - General Sensor

- ✓ Capacities 15-100kg
- ✓ Moisture proof
- ✓ Anodized aluminum construction
- ✓ 2 mv/v, 0.02% total error
- ✓ Interchangeable with Toledo model 774
- ✓ Replacement for Tedeo Model 1040
- ✓ 9 ft 6 cond cable



**Totalcomp**<sup>®</sup> Scales & Components

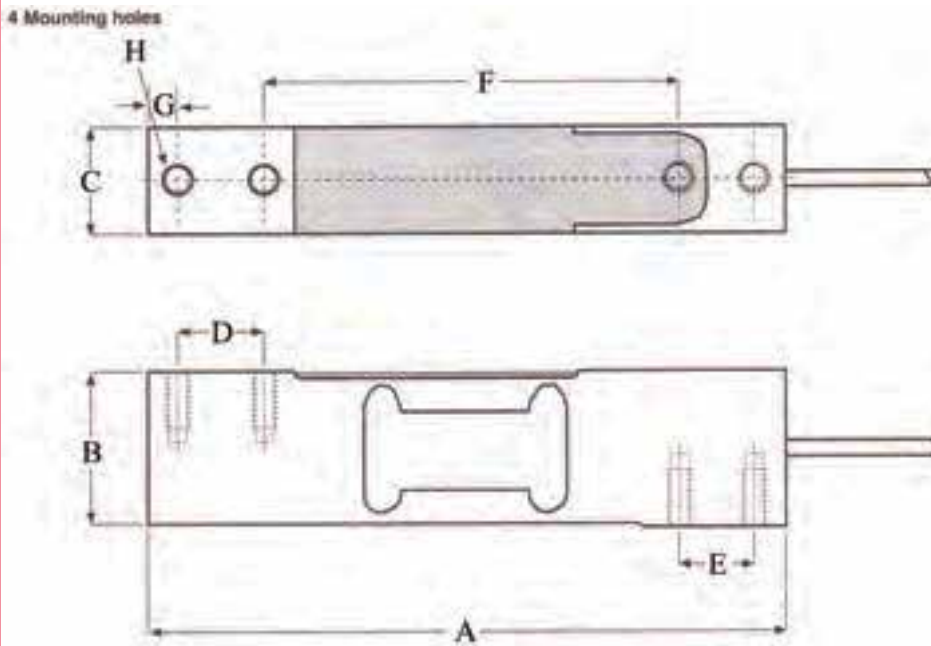
99 Reagent Lane \* Fair Lawn, New Jersey 07410  
Fax: 201-797-2287 \* Toll Free Fax: 888-797-2288 \* Phone: 201-797-2718 \* Toll Free Phone: 800-631-0347  
Email: [sales@totalcomp.com](mailto:sales@totalcomp.com) \* Website: [www.totalcomp.com](http://www.totalcomp.com)

# Specifications

## General Sensor

### GS1042

Interchangeable with Toledo model 774. Replacement for Tedeo Model 1040/1042. Mounting screws are 1/4-20 UNC(coarse) with 3/4" spacing on both top and bottom. These cells have a unique humidity resistant protective coating assures long term stability even under harsh environment and extreme temperatures. 2 mv/v, 0.02% total error, 9 ft 6 cond cable, 415/350 ohm, anodized aluminum.



#### Color Code

Green	+Excitation
Black	-Excitation
White	-Signal
Red	+Signal
Blue	+Sense
Brown	-Sense

#### Dimensions in inches

Capacity	A	B	C	D	E	F	G	H
1kg-20kg	5.90	1.57	0.79	0.75	0.75	3.94	0.25	1/4-20 UNC
50kg-1000kg	5.90	1.57	1.00	0.75	0.75	3.94	0.25	1/4-20 UNC

#### TOTALCOMP LIMITED WARRANTY

**Totalcomp** warrants this product to be free of defects in materials and/or workmanship and suitable for the purpose(s) intended as outlined on this sheet. This warranty is effective and shall cover the purchaser for one year from the date of shipment from our plant. If this product is found to be defective by our inspection in accordance with the above listed criteria, we will replace or repair in at our expense. For warranty service, please obtain a return authorization number from us and return the item, shipping prepaid, with a written description of the problem. We will respond promptly with the results of our evaluation.



**Scales & Components**

99 Reagent Lane  
Fair Lawn, NJ 07410  
Fax (201) 797-2287  
Toll Free Fax (888) 797 2288  
Phone (201) 797-2718  
Toll Free Phone (800) 631-0347  
Email sales@totalcomp.com  
Website www.totalcomp.com