

WE2107

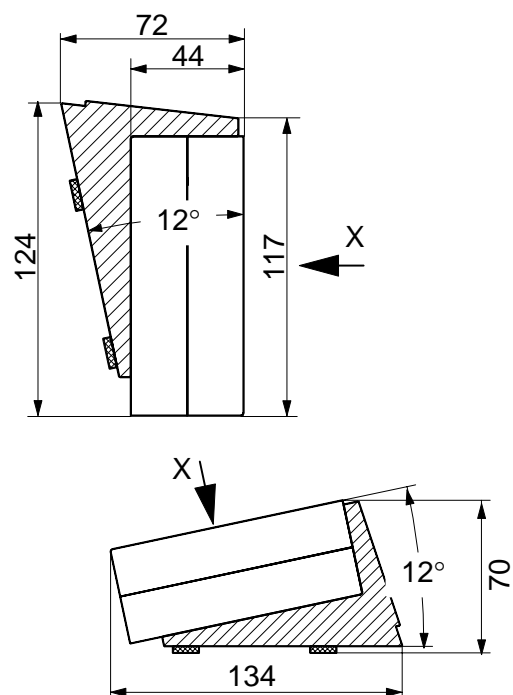
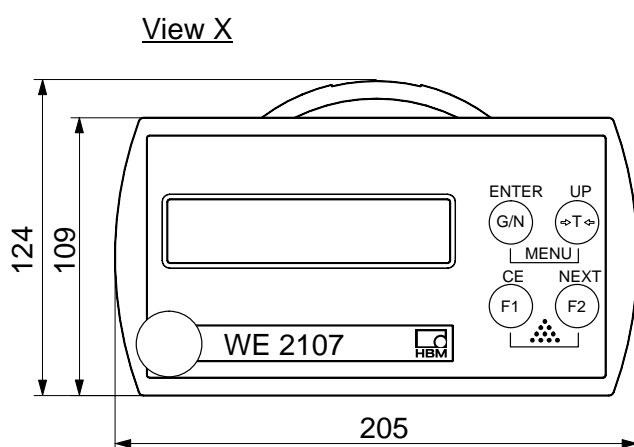
Weighing indicator
(NAWI)

Special features

- OIML test report up to 6000 d in preparation
- Dual range capability 2x 3000 d
- Use as single- dual- or triple-range balance
- Four limit value switches with hysteresis
- RS-232-interface
- Two digital control outputs
- Four digital outputs (limit value switches or filling and batching control)
- Degree of protection IP65



Dimensions (in mm; 1 mm= 0.03937 inches)



Specifications

Type		WE2107									
Max. number of scale interv. acc. to OIML R76 (class III, IIII)	d = e	6000; 2 x 3000; Multi-range									
Multi-range application	d = e	2x3000; 3x2000									
Input sensitivity	$\mu\text{V/e}$	≥ 0.8									
Measuring range	mV/V	± 2 ; max. ± 3.2									
Min. input resistance of the load cell	Ω	60									
Max. input resistance of the load cell	Ω	4000									
Load cell excitation voltage	V_{DC}	5									
Cable length between WE2107 and load cell(s)	m	max. 100									
Measuring rate	Meas./s	200									
Filter, adjustable, FMD0	Cut-off frequency (-3 dB)	0.0625	0.125	0.25	0.5	1	2	4	8	25	
	Transient respond time	16000	8000	4000	2000	1000	500	250	125	80	
FMD1	Cut-off frequency (-3 dB)	2	2.5	3	4	5	6	7	8	10	
	Transient respond time	566	450	380	310	240	170	160	150	140	
Power supply without analog output connected	V_{DC}	12 ... 30; 24 nominal									
Power supply with analog output connected	V_{DC}	18 ... 30; 24 nominal									
Power consumption (incl. Display lighting)	W	6									
Display		LCD with back-lighting									
Hight of display	mm	20									
Status symbols		Zero, Net, Motion, Unit, Range									
Keys		Foil keyboard (tactile feedback)									
Number of digital inputs		2									
Input voltage IN1/2, Low	V	0 ... 1.0									
Input voltage IN1/2, High	V	3 ... 30									
Input resistance	k Ω	10									
Number of digital outputs (High side switch)	V	4									
max. output current/output	A	0.6									
Power supply, outputs	V	12 ... 30; 24 nominal									
Serial interface (COM1)		RS-232									
Baud-rate, adjustable	Bd	1200 ... 38400									
Serial interface functions (COM2)		Print, serial display (autom. output), PC-connection via RS-485									
Analog output	mA	4 ... 20									
Burden	Ω	100 ... 500									
Resolution	μA	15.6									
Nominal temperature range	$^{\circ}\text{C}$ [$^{\circ}\text{F}$]	-10 ... +50 (+40*) [14 ... 104 (104*)]									
Operating temperature range	$^{\circ}\text{C}$ [$^{\circ}\text{F}$]	-20 ... +60 [14 ... 140]									
Storage temperature range	$^{\circ}\text{C}$ [$^{\circ}\text{F}$]	-40 ... +85 [-22 ... 158]									
Connection / Fitting		4 x PG									
Weight, approx.	kg	1									
Degree of protection per EN 60 529 (IEC 529)		IP65									
Immunity level (EMC) accord. to EN 45501 (3 V/m)		additional tested up to 10 V/m									
Housing material		ABS, free of halogene									

* according to OIML, legal for trade

Order no.: 1-WE2107-1

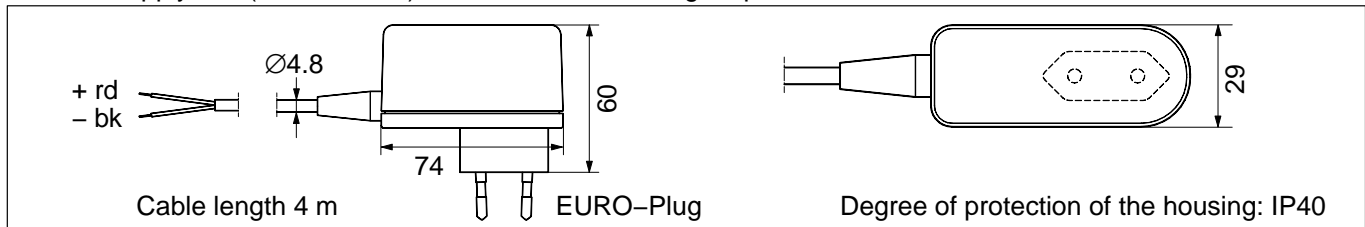
Accessories

Included in the scope of supply:

- CD-ROM with WE2107-Panel-Software, Communication Protocol for PC and documentation

To be ordered separately:

- Power supply unit (100 ... 240 V), not for use with analog output, Order no. 1-AC/DC15V/550mA



Modifications reserved.

All details describe our products in general form only. They are not to be understood as express warranty and do not constitute any liability whatsoever.

Hottinger Baldwin Messtechnik GmbH

Im Tiefen See 45, D-64293 Darmstadt, Germany

Tel.: +49 6151 803-0 Fax: +49 6151 803 9100

Email: support@hbm.com Internet: www.hbm.com



measurement with confidence