

# RBF

# Beam Foot



## **Rigid Beam Foot for single ended beam load cells**

- *DeltaFlex 7000*
- *1/2-20 UNF thread*
- *Excellent resistance to chemical contact*
- *1" to 2.5" height*
- *1-7/8" to 3" pads*

 **Totalcomp** Scales & Components

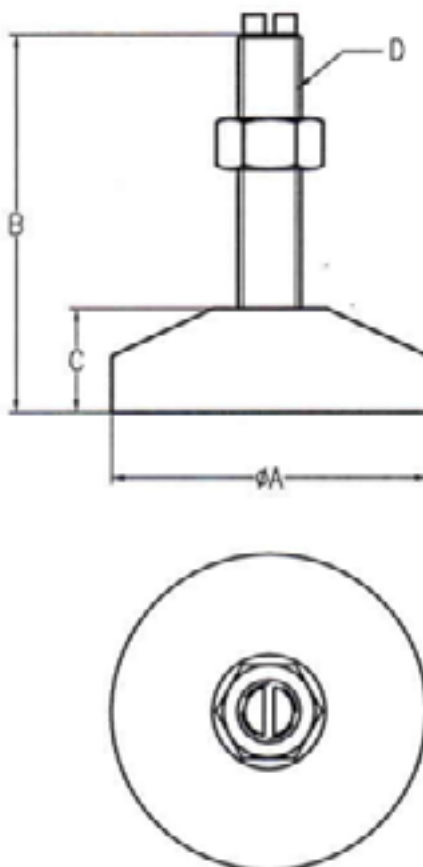
13-01 Pollitt Drive Ext, Fair Lawn NJ 07410  
Phone 201-797-2718 Fax 201-797-2287

email: [sales@totalcomp.com](mailto:sales@totalcomp.com)

# Specifications

# RBF

Totalcomp Rigid Beam Foot (RBF) is a beam foot for use with single ended beam load cells. Manufactured with DeltaFlex 7000 for use in harsh chemical environments. These beam feet are designed to service the harsh cleaning requirements of the food and chemical industries.



<b>Part Number</b>	<b>A dia</b>	<b>B</b>	<b>C</b>	<b>D thread</b>	<b>Weight</b>	<b>SKU</b>
RBF-1/2-20x1-7/8-SS	1.875"	3.0"	0.826"	1/2-20 UNF	0.63 lb	4024
RBF-1/2-20x2-SS	2.00"	3.0"	0.826"	1/2-20 UNF	0.65 lb	4025
RBF-1/2-20x2-1/2-SS	2.50"	3.0"	0.826"	1/2-20 UNF	0.96 lb	4026
RBF-1/2-20x3-SS	3.00"	3.0"	0.826"	1/2-20 UNF	0.99 lb	5381

### **Totalcomp Limited Warranty**

Totalcomp warrants this product to be free of defects in materials and/or workmanship and suitable for the purpose intended as outlined in this sheet. This warranty is effective and shall cover the purchaser for one year from the date of shipment from our plant. If this product is found to be defective by our inspection in accordance with the above listed criteria, we will replace or repair it at our expense. For warranty service, please obtain a return authorization number from us and return the item, shipping prepaid, with a written description of the problem. We will respond promptly with the results of our evaluation.

 **Totalcomp** Scales & Components

13-01 Pollitt Drive Ext, Fair Lawn NJ 07410

Phone 201-797-2718 Fax 201-797-2287 email: [sales@totalcomp.com](mailto:sales@totalcomp.com)