

TM101

Baby Scale



- ✓ Horizontal measuring rod in mm / inch
- ✓ Removable tray enables use as a scale for small children
- ✓ Drinking function (weighing before and after baby drinking)
- ✓ Bubble level for easy adjustment
- ✓ Adjustable 4 feet
- ✓ Removable display



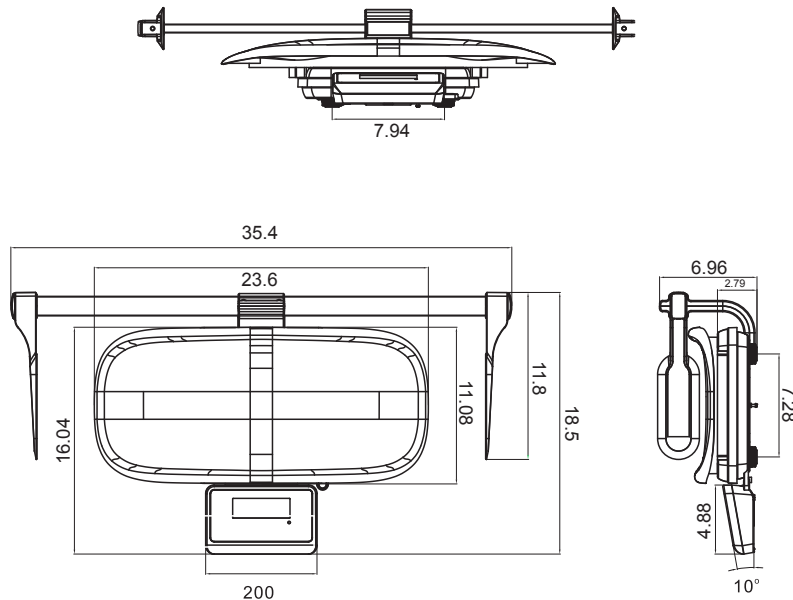
Totalcomp[®] Scales & Components

99 Reagent Lane • Fair Lawn, New Jersey 07410
Fax: 201-797-2287 • Toll Free Fax: 888-797-2288 • Phone: 201-797-2718 • Toll Free Phone: 800-631-0347
Email: sales@totalcomp.com • Website: www.totalcomp.com

General Specifications

- Display 25mm digit LCD display, with white LED backlight
- Capacities Dual Range 6 kg/15 kg x 2 g/5 g 13 lb/33 lb x 0.005/0.01 lb
- Height measuring Approx. 400mm to 800mm (15.74" x 31.5")
- Pan size 600x250mm(23.4" x 10")
- Platform size 280x325mm (11.02" x 12.8")
- Keyboard 7keys(Membrane keyboard)
- Housing ABS plastic
- Max. Divisions 2x3,000e
- ADC Sigma delta
- ADC update $\leq 1/10$ second
- Operate Temp $-10^{\circ}\text{C} \sim +40^{\circ}\text{C}$ (41°F to 95°F)
- Power 2000mAh Ni-MH battery package(size AA), external AC power adapter
- Gross weight 18 lbs
- Net weight 15 lbs

Dimensions



TOTALCOMP LIMITED WARRANTY

Totalcomp warrants this product to be free of defects in materials and/or workmanship and suitable for the purpose(s) intended as outlined on this sheet. This warranty is effective and shall cover the purchaser for one year from the date of shipment from our plant. If this product is found to be defective by our inspection in accordance with the above listed criteria, we will replace or repair it at our expense. For warranty service, please obtain a return authorization number from us and return the item, shipping prepaid, with a written description of the problem. We will respond promptly with the results of our evaluation.



Totalcomp[®]

Scales & Components

99 Reagent Lane
Fair Lawn, NJ 07410
Fax (201) 797-2287
Toll Free Fax (888) 797-2288
Phone (201) 797-2718
Toll Free Phone (800) 631-0347
Email sales@totalcomp.com
Website www.totalcomp.com