

"a preferred name in load cell technology"

TEL 90310/5590310



STAINLESS STEEL

NTEP C.O.C. #95-092

Canister Load Cell

FEATURES:

- 10K to 500K pounds capacities
- NTEP 25K, 50K, 100K, 200K
- Multi-Column Construction
- Directly replaces CSP
- Factory Mutual (F.M.) Approved*
- Stainless Steel or Epoxy Enamel Paint

DESCRIPTION:

The Model 90310 is a hermetically sealed, multi-column canister cell that is ideally suited for harsh environmental conditions. The cell housing is available in mild steel with epoxy enamel paint or all stainless steel. Both versions have NTEP certification for the most commonly used capacities referenced above. The cell is recommended for tank, truck, track and hopper type industrial applications. The cell is supplied with an integral 30 foot cable, but other lengths are available on special order.

PERFORMANCE SPECIFICATIONS

Standard Capacities (lbs.):	10K, 25K, 50K, 100K, 200K, 300K, 500K
Excitation Voltage:	20VDC
Rated Output:	2.0 ± .1% mv/v
Non-Linearity:	< 0.05% FSO (Full Scale Output)
Hysteresis:	< 0.02% FSO
Non-Repeatability:	< 0.01% FSO
Zero Balance:	±1.0% FSO
Bridge Resistance Input:	450 ± 1% ohms
Bridge Resistance Output:	480 ± 1% ohms
Safe Overload:	150% of Rated Capacity
Temperature:	
Compensated Range:	0 - 150 deg. F
Effect on Output:	< 0.0008% FSO/deg. F
Effect on Zero:	< 0.0011% FSO/deg. F
Finish:	Stainless Steel or Epoxy Enamel



APPROVED

Model 90310/5590310



CAPACITY LBS.	A	B	C	D	E	F SPH RAD	G THD	H DEEP
10K - 50K	2.87	1.25	3.25	.40	1.28	6.00	1/2 - 20 UNF - 2B	.30
100K	4.12	2.31	5.00	.50	2.15	6.00	3/4 - 16 UNF - 2B	.55
200K - 300K	6.00	3.13	7.25	1.04	3.31	17.00	3/4 - 16 UNF - 2B	.75
500K	6.53	3.69	9.00	.56	4.25	17.00	3/4 - 16 UNF - 2B	.75

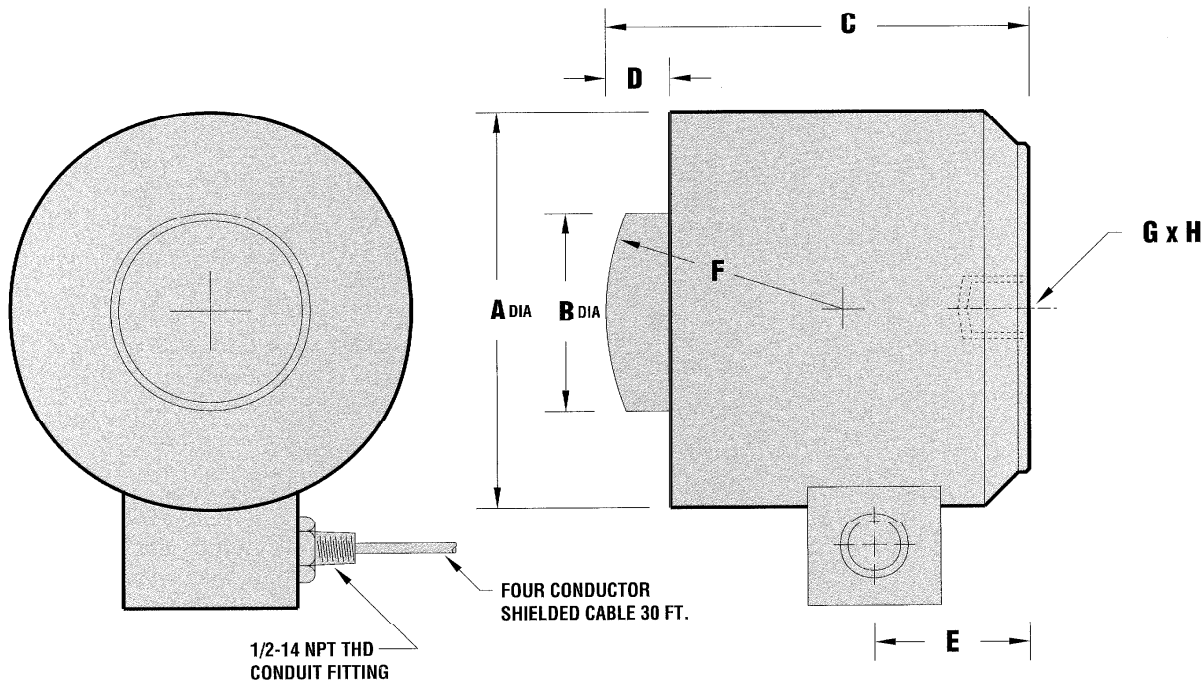
ELECTRICAL TERMINATION

INPUT OUTPUT SHIELD

GREEN (+) WHITE (+)

BLACK (-) RED (-)

COMPRESSION POSITIVE



† Factory Mutual Systems approved as intrinsically safe when installed per F.M. approved installation drawing. Contact ARTECH sales department for details.

Represented by:



1966 Keats Drive, Riverside, CA 92501

