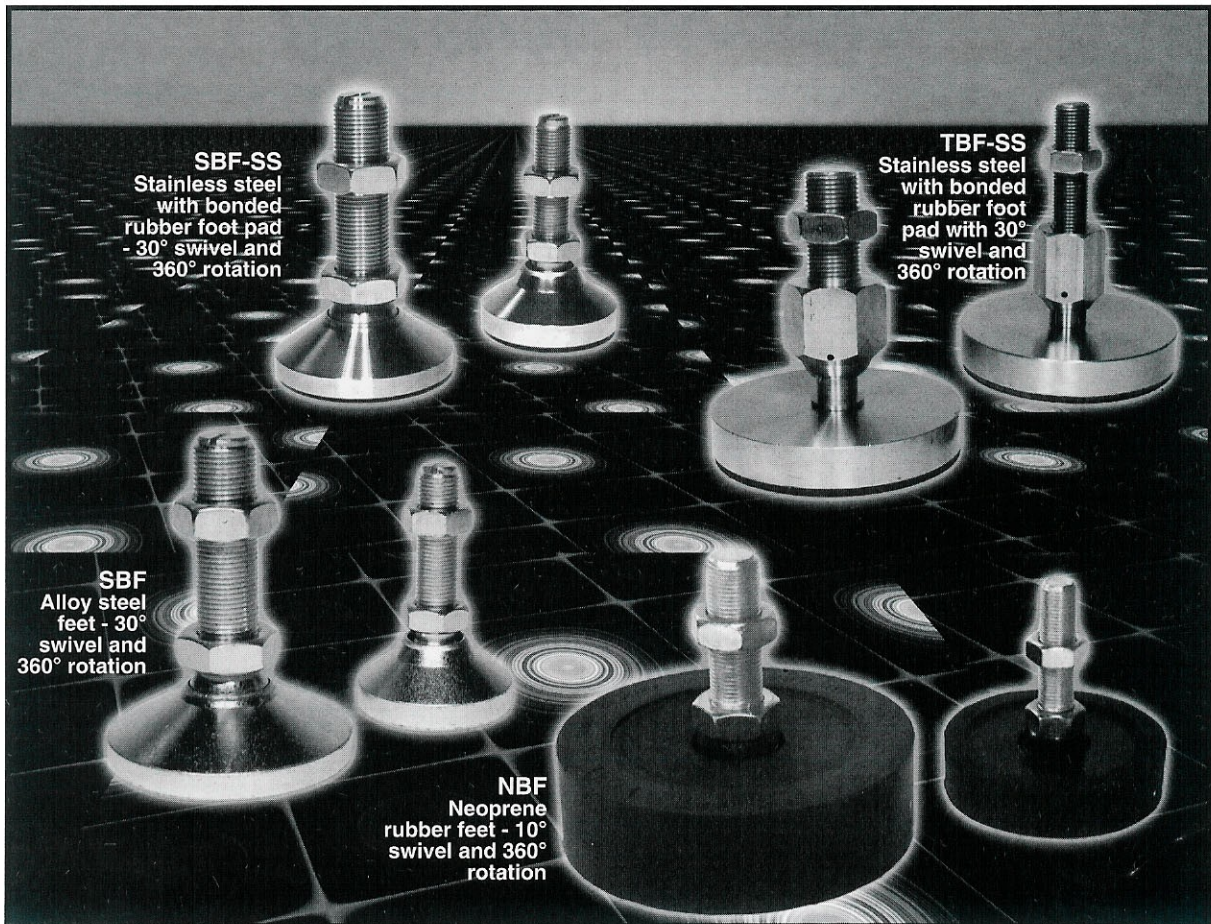


BEAM FEET



Highest quality load cell beam feet from Totalcomp

- ✓ **TBF/SBF SS Series Stainless Steel corrosion resistant stud and base with skid-proof neoprene bottom.**
- ✓ **SBF/NBF Series - Replaceable threaded studs.**
- ✓ **30° swivel (NPF-10°) with full 360° rotation.**
- ✓ **Completely height adjustable.**
- ✓ **Covered by Totalcomp's one year warranty.**



Totalcomp[®]

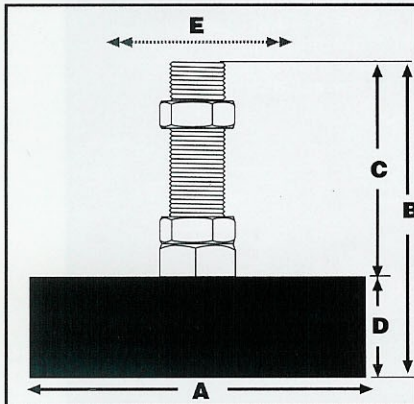
Scales & Components

13-01 Pollitt Drive • Fair Lawn, New Jersey 07410

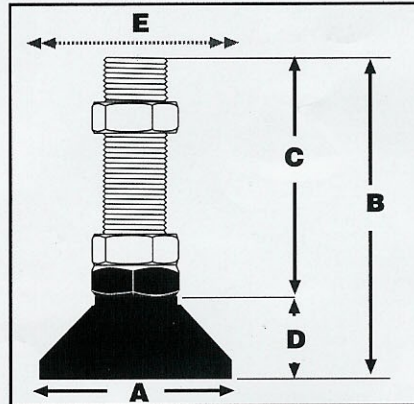
Fax: 201-797-2287 • Toll Free Fax: 888-797-2288 • Phone: 201-797-2718 • Toll Free Phone: 800-631-0347

SPECIFICATIONS

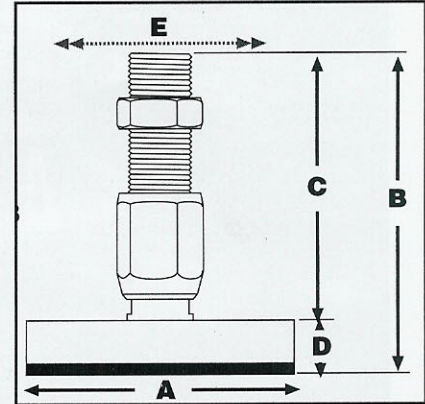
TOTALCOMP BEAM FEET



NBF



SBF & SBF-SS



TBF-SS

Totalcomp beam feet are manufactured from the highest quality materials and come in four specialized varieties. Each type is constructed with a 360° swiveling pod. Totalcomp beam feet provide simple installation and height adjustment.

| MODEL | Weight | A | B | C | D | E (swivel/tilt) |
|---------------|--------|-------------|--------|--------|--------|-----------------|
| TBF-1/2-20-SS | 2 lb. | 3" dia | 3 3/8" | 2 3/4" | 5/8" | 30° |
| TBF-3/4-16-SS | 3 lb. | 3 1/2" dia | 4 1/8" | 3 3/8" | 3/4" | 30° |
| SBF-1/2-20-SS | 1 lb. | 1 7/8" dia. | 3 1/4" | 2 1/2" | 3/4" | 30° |
| SBF-3/4-16-SS | 2 lb. | 2 1/2" dia. | 4" | 3 1/4" | 3/4" | 30° |
| SBF-1/2-20 | 1 lb. | 1 7/8" dia. | 3 1/4" | 2 1/2" | 3/4" | 30° |
| SBF-3/4-16 | 2 lb. | 2 1/2" dia. | 4" | 3 1/4" | 3/4" | 30° |
| NBF-1/2-20 | 1 lb. | 3" dia. | 3 1/8" | 2 3/8" | 3/4" | 10° |
| NBF-3/4-16 | 2 lb. | 5" dia. | 4 3/8" | 2 7/8" | 1 1/2" | 10° |

TOTALCOMP LIMITED WARRANTY

Totalcomp warrants these products to be free of defects in materials and/or workmanship and suitable for the purpose(s) intended as outlined on this sheet. This warranty is effective and shall cover the purchaser for one year from the date of shipment from our plant. If any item described on this sheet are found to be defective by our inspection in accordance with the above listed criteria, we will replace or repair it at our expense. For warranty service, please obtain a return authorization number from us and return the item, shipping prepaid, with a written description of the problem. We will respond promptly with the results of our evaluation.



Totalcomp®

Scales & Components

13-01 Pollitt Drive
Fair Lawn, NJ 07410

Fax (201) 797-2287

Toll Free Fax (888) 797-2288

Phone (201) 797-2718

Toll Free Phone (800) 631-0347