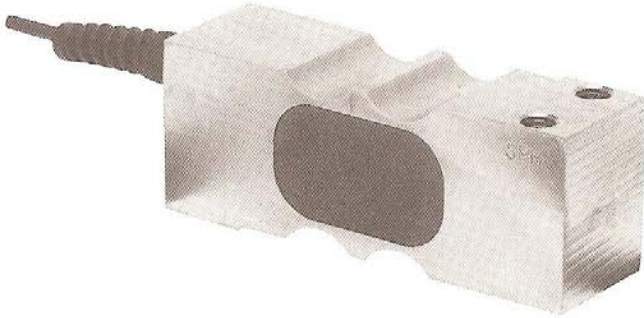


Cardinal LOAD CELLS

SINGLE POINT - FOR MEDIUM TO HEAVY WEIGHING

SP-LM



- Capacities of 200 lb, 500 lb and 1000 lb
- Highly resistant to eccentric loads
- Waterproof construction
- Stainless steel for corrosion resistance
- Direct mounting to weighing platform
- 10' integral shielded cable
- 2 year warranty

Cardinal's heavy capacity single point load cells are manufactured for medium to heavy weighing operations such as bench or floor scales. Stainless steel construction offers strength, and the ultimate in protection when caustic or corrosive environments are encountered. Heavy capacity single point cells are available in 200 lb to 1000 lb capacities.

The unique design of our single point load cells offers cost-saving advantages for many weighing applications. The load cell can be mounted directly to the weighing platform, thereby eliminating flexures, pivots, bearings and mechanical levers.

These cells are potted with a proprietary sealant that offers superior waterproofing, while remaining flexible over the life of the load cell. This special compound protects the load cell strain gages, and over a broad temperature range has no effect on load cell precision accuracy.

All load cells have threaded mounting holes, and a 10' integral multiconductor cable secured by a strain relief seal.

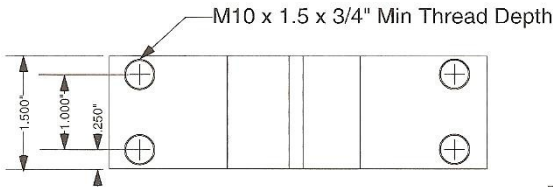
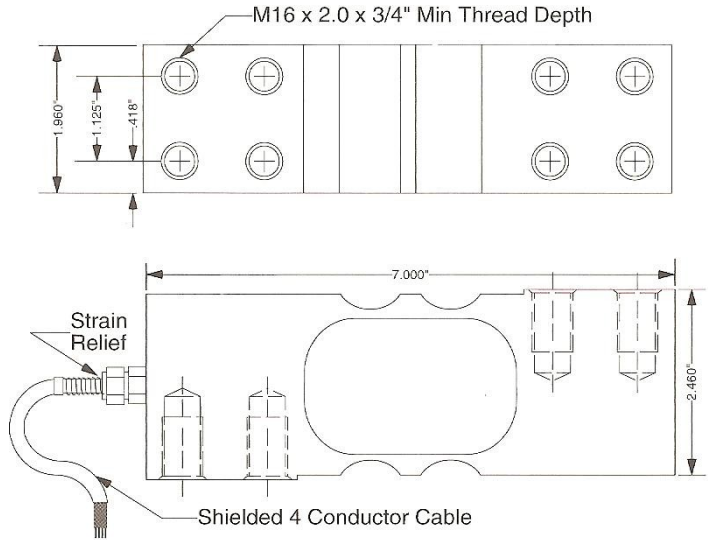
SPECIFICATIONS

Overload	150% - safe; 300% - ultimate
Output mv/v	2 ± 10%
Resistance	input - 380 ohms minimum
	output - 350 ± 5 ohms
Zero balance	± 1% of rated output
Excitation voltage	15 volts DC maximum
Non-linearity	± 0.03% of rated output
Hysteresis	± 0.03% of rated output
Non-repeatability	± 0.02% of rated output
Creep	± 0.03% of load in 20 min.
Insulation resistance	5000 megohms
Deflection008" - .012"
Temperature range	14°F to 104°F - compensated
	-20°F to +200°F - operating
Temperature effect	rated output - ± 0.0008%/ F of load
	zero balance - ± 0.0015%/ F of rated output

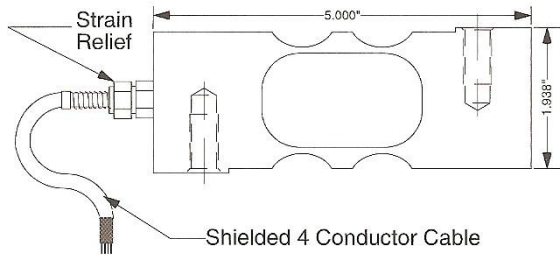
Cardinal SINGLE POINT LOAD CELLS

Model SP-500LM
Capacity: 500 lb

Model SP-1000LM
Capacity: 1000 lb

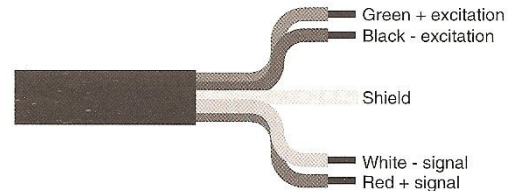


Model SP-200LM
Capacity: 200 lb



We reserve the right to improve, enhance, and modify features and specifications without prior notice.

ELECTRICAL INFORMATION



Totalcomp Scales & Components

13-01 Pollitt Drive Fair Lawn NJ 07410
800-631-0347 201-797-2718
Fax 888-797-2288 201-797-2287