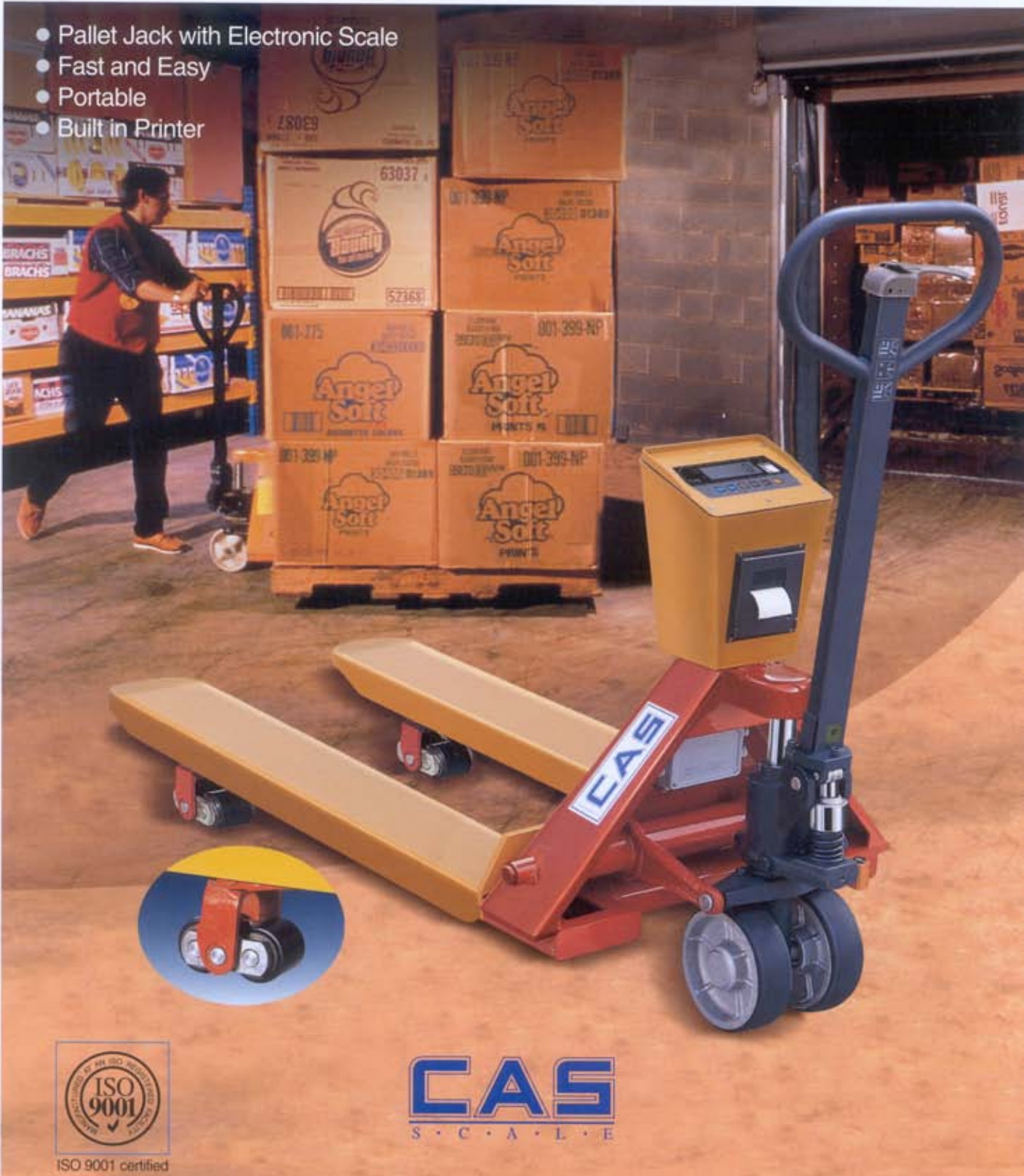


CPS - 2

Pallet Scale

- Pallet Jack with Electronic Scale
- Fast and Easy
- Portable
- Built in Printer



ISO 9001 certified

CAS
S · C · A · L · E

CPS series Pallet Scale

FEATURES

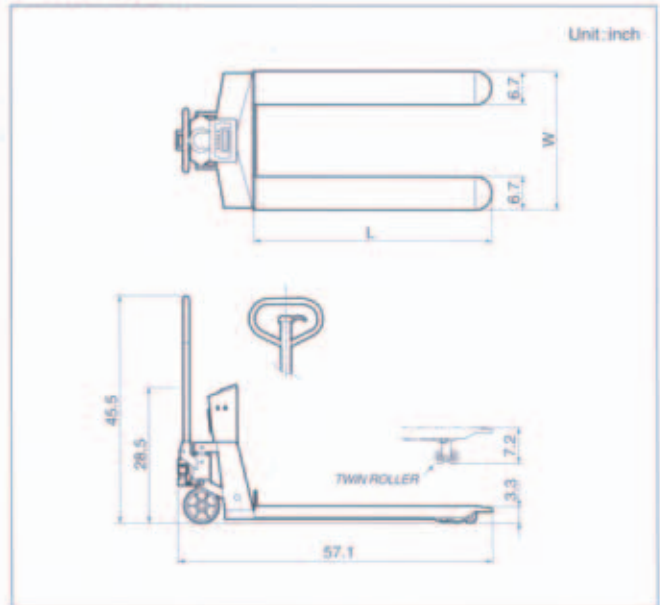
- Easy Operation
- Versatile for Any Size Room
- Heavy Duty for Any Size Job
- Pallet Jack Uses Oil Pressure for Enhanced Stability
- Built in Printer

SPECIFICATIONS

Model	CPS-2
Weighing Capacity	5000 x 1 lb
Measurement Type	CI-2001B, Load Cell
Power Source	Rechargeable Battery, 6V
Display Type	5 Digit LCD (Height = 1inch)
Display Designators	ON/OFF, Zero, Tare, kg/lb
Accessory	Rechargeable Battery, AC adaptor



DIMENSIONS



Unit: inch

Model		CPS-2		
Size	TYPE	A	B	C
	W	21.3	24.4	27.8
	L	42.5	42.5	47.2

※ A/B Type : Special Order



CAS USA Corporation

NJ OFFICE
 99 Murray Hill Parkway
 East Rutherford, NJ 07073
 Tel: (201) 933-9002
 Fax: (201) 933-9025

CA OFFICE
 733 S. State College Blvd #98
 Fullerton, CA 92831
 Tel: (714) 870-1286
 Fax: (714) 870-1167

<http://www.cas-usa.com>

