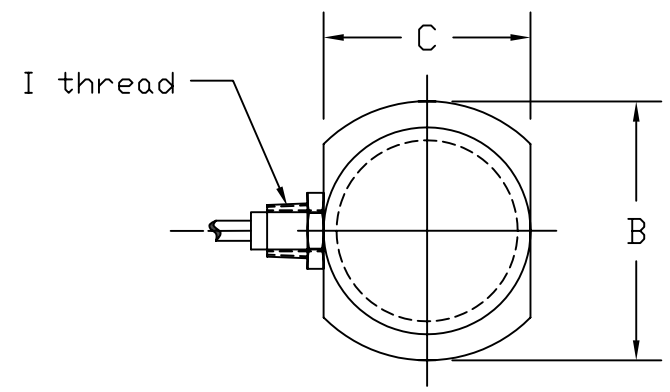
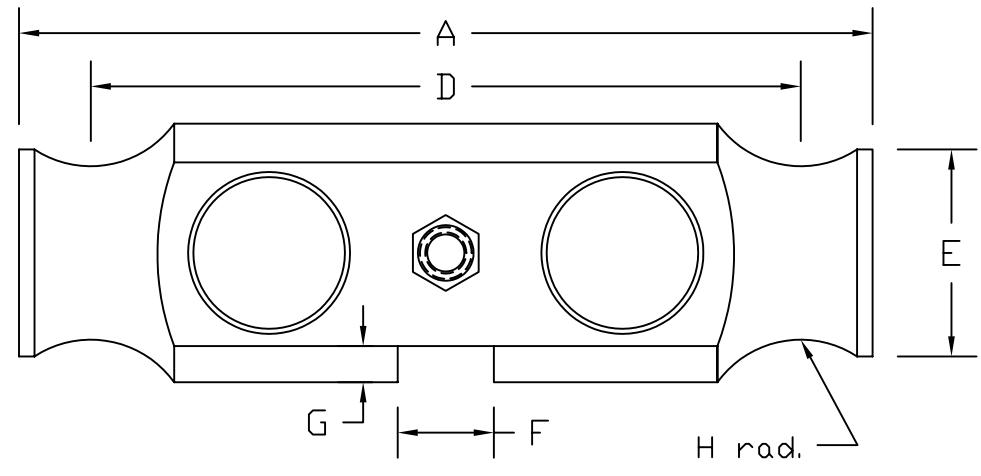


REVISIONS							
ZONE	LTR.	DESCRIPTION	DATE	ECN	BY	CKD	APVD
-	-	INITIAL RELEASE	11/03/06	-	-	-	-
-	A	EDITED DIMENSIONS TABLE AND NOTES	12/14/07	085	MP	AA	WH

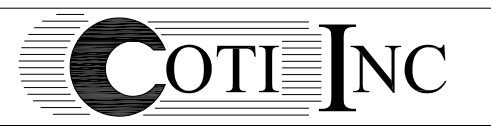


PERFORMANCE SPECIFICATIONS:

- CAPACITIES: 50K & 75K LB
- RATED OUTPUT: 2.00 mV/V ±1%
- SAFE OVERLOAD: 150% FS
- EXCITATION VOLTAGE: 10-15V AC/DC
- BRIDGE RESISTANCE: 700 OHMS
- ZERO BALANCE: ±1.00% FS
- SEAL TYPE: WELDED SEAL
- NON-LINEARITY: ±0.03% FS
- HYSTERESIS: ±0.02% FS
- COMPENSATED TEMPERATURE RANGE: -10°C - +50°C
- TEMPERATURE EFFECT ON ZERO: ±0.02%FS/10°C
- TEMPERATURE EFFECT ON OUTPUT: ±0.02%FS/10°C
- INSULATION RESISTANCE: >5000 MEGOHMS
- LOAD CELL CABLE: 4 CONDUCTOR, 50 FT, BRAIDED SHIELD
- LOAD CELL WIRING:
  - GREEN +EXC
  - BLACK -EXC
  - WHITE +SIG
  - RED -SIG
  - BRAID/YELLOW: SHIELD

RATED CAPACITY	DIMENSIONS										
	A	B	C	D	E	F	G	H	I		
50K-75K	8.25	2.50	1.80	7.25	2.00	0.93	0.38	0.75	1/2-14NPT		

\*DO NOT ALTER WITHOUT AGENCY NOTIFICATION\*



**CI-DB50000S DOUBLE ENDED BEAM LOAD CELL**

<p>THIS DRAWING USES THIRD ANGLE PROJECTION</p>	APPROVALS		DATE
	DRAWN: MP		11/03/06
	CHECKED: AA		12/14/07
	ENGINEER: WH		12/14/07
<p>THIS DOCUMENT CONTAINS PROPRIETARY INFORMATION AND SUCH INFORMATION MAY NOT BE REPRODUCED OR DISCLOSED FOR ANY PURPOSE OR USED TO PRODUCE THE ARTICLE OR SUBJECT WITHOUT WRITTEN PERMISSION FROM COTI, INC.</p>	<p>TOLERANCES UNLESS OTHERWISE SPECIFIED          .XX±.01          .XXX±.005          FRACTIONS±1/16"          ANGLES: ±1/2"</p>		APPROVED: WH
	MATERIAL		12/14/07
	STAINLESS STEEL		

SCALE	SIZE	PART/DRAWING NO.	REV.
NONE	B	DOD-CI-DB50000S	A
MODEL CI-DB50000S		SHEET 1 OF 1	