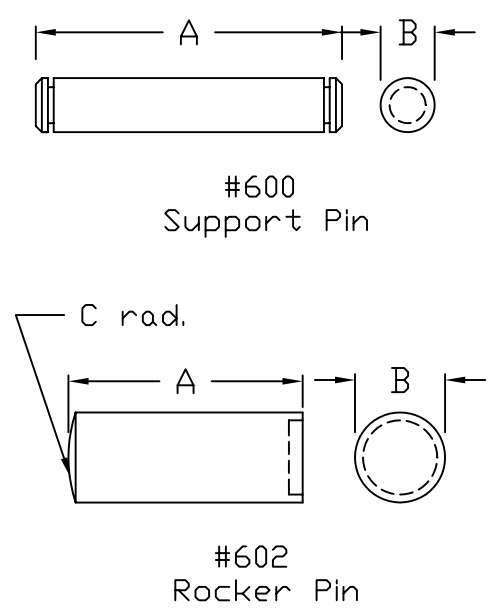
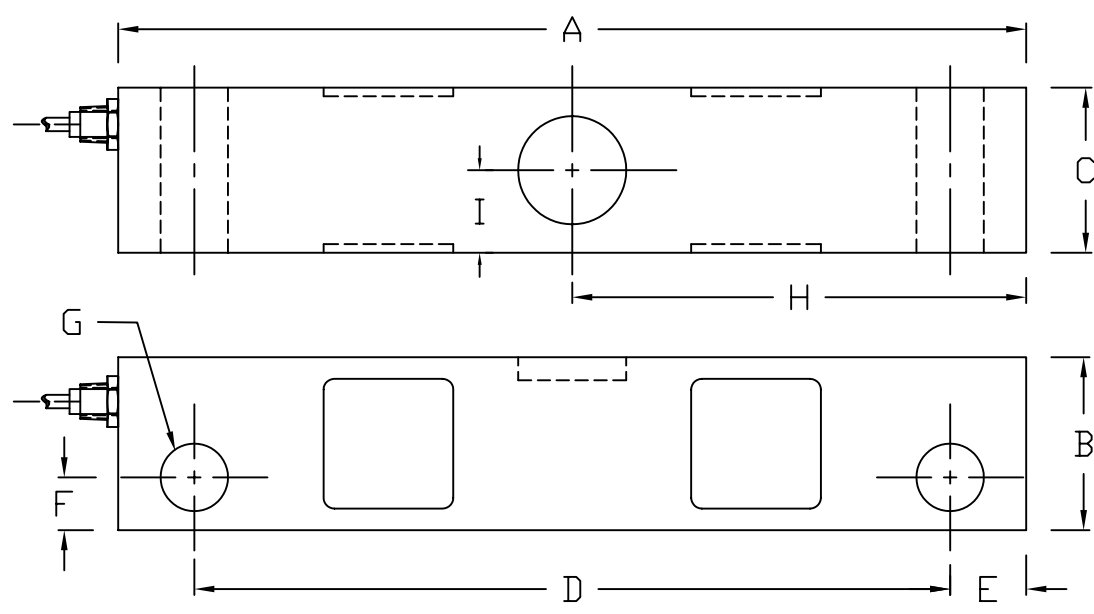


REVISIONS							
ZONE	LTR.	DESCRIPTION	DATE	ECN	BY	CKD	APVD
-	-	INITIAL RELEASE	11/03/06	-	-	-	-

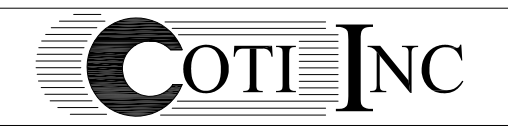


PERFORMANCE SPECIFICATIONS:

- CAPACITIES: 40K & 50K LB
- RATED OUTPUT: 3.00 mV/V ±1%
- SAFE OVERLOAD: 150% FS
- EXCITATION VOLTAGE: 10-15V AC/DC
- BRIDGE RESISTANCE: 700 OHMS
- ZERO BALANCE: ±1.00% FS
- SEAL TYPE: ENVIRONMENTALLY SEALED
- NTEP RATED
- CLASS 111L, 10,000 DIVISION, MULTIPLE CELL
- COMPENSATED TEMPERATURE RANGE: -10°C - +40°C
- TEMPERATURE EFFECT ON ZERO: ±0.02%FS/10°C
- TEMPERATURE EFFECT ON OUTPUT: ±0.02%FS/10°C
- INSULATION RESISTANCE: >5000 MEGOHMS
- LOAD CELL CABLE: 4 CONDUCTOR, 60 FT (BRAIDED SHIELD)
- LOAD CELL WIRING:
 - GREEN +EXC
 - BLACK -EXC
 - WHITE +SIG
 - RED -SIG
 - BRAID/YELLOW: SHIELD

RATED CAPACITY	DIMENSIONS										
	A	B	C	D	E	F	G	H	I		
40K-50K	10.50	2.00	1.91	8.75	0.88	0.61	0.78	5.25	0.95		
#600 Support Pin	4.25	0.75	-	-	-	-	-	-	-		
#602 Rocker Pin	3.25	1.25	12.00	-	-	-	-	-	-		

DO NOT ALTER WITHOUT AGENCY NOTIFICATION



CI-STR DOUBLE-ENDED BEAM NTEP LOAD CELL

<p>THIS DRAWING USES THIRD ANGLE PROJECTION</p>	<p>THIS DOCUMENT CONTAINS PROPRIETARY INFORMATION AND SUCH INFORMATION MAY NOT BE REPRODUCED OR DISCLOSED FOR ANY PURPOSE OR USED TO PRODUCE THE ARTICLE OR SUBJECT WITHOUT WRITTEN PERMISSION FROM COTI, INC.</p>	<p>TOLERANCES UNLESS OTHERWISE SPECIFIED .XX-±.01 .XXX-±.005 FRACTIONS-±1/16" ANGLES: ±1/2"</p>	APPROVALS		DATE
			DRAWN: MP		11/03/06
			CHECKED: AA		11/03/06
			ENGINEER: WH		11/03/06
			APPROVED: WH		11/03/06
MATERIAL			ALLOY STEEL		

SCALE	SIZE	PART/DRAWING NO.	REV.
NONE	B	DOD-CI-STR	-
MODEL CI-STR		SHEET 1 OF 1	