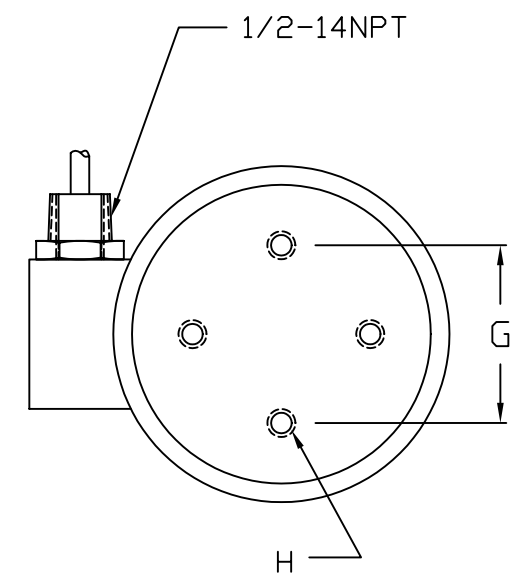
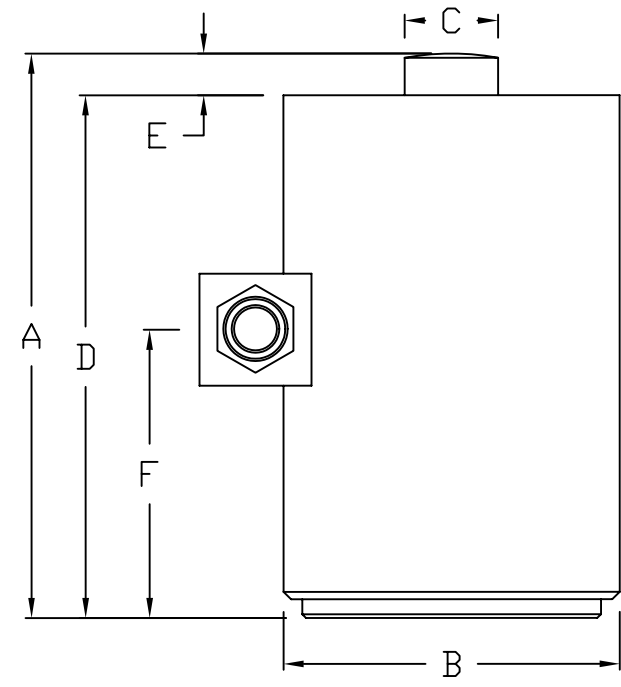


REVISIONS							
ZONE	LTR.	DESCRIPTION	DATE	ECN	BY	CKD	APVD
-	-	INITIAL RELEASE	11/03/06	-	-	-	-

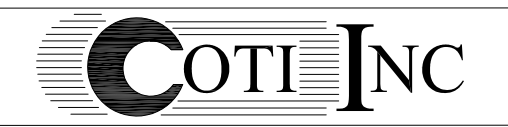


PERFORMANCE SPECIFICATIONS:

- . CAPACITIES: 20K, 50K, 100K, & 200K LB
- . RATED OUTPUT: 2.00 mV/V ±1%
- . SAFE OVERLOAD: 150% FS
- . EXCITATION VOLTAGE: 10-15V AC/DC
- . BRIDGE RESISTANCE: 350 OHMS
- . ZERO BALANCE: ±1.00% FS
- . SEAL TYPE: HERMETICALLY SEALED
- . CLASS 111L, 10,000 DIVISION, MULTIPLE CELL
- . COMPENSATED TEMPERATURE RANGE: -10°C - +40°C
- . TEMPERATURE EFFECT ON ZERO: ±0.02%FS/10°C
- . TEMPERATURE EFFECT ON OUTPUT: ±0.02%FS/10°C
- . INSULATION RESISTANCE: >5000 MEGOHMS
- . LOAD CELL CABLE: 4 CONDUCTOR, 50 FT
- . LOAD CELL WIRING:
 - GREEN +EXC
 - BLACK -EXC
 - WHITE +SIG
 - RED -SIG
 - BRAID/YELLOW: SHIELD

RATED CAPACITY	DIMENSIONS							
	A	B	C	D	E	F	G	H
20-50K	7.50	4.50	1.25	6.75	0.50	3.86	2.38	3/8-24UNF x0.63deep
100K	9.13	6.00	1.75	8.25	0.71	4.75	4.00	1/2-20UNF x0.75deep
200K	11.63	8.00	2.50	10.66	0.81	4.75	5.50	5/8-18UNF x1.00deep

DO NOT ALTER WITHOUT AGENCY NOTIFICATION



CP 26S3 COMPRESSION CANISTER

	THIS DRAWING USES THIRD ANGLE PROJECTION		APPROVALS	DATE
	DRAWN: MP	CHECKED: AA	ENGINEER: WH	APPROVED: WH
	TOLERANCES UNLESS OTHERWISE SPECIFIED .XX-±.01 .XXX-±.005 FRACTIONS-±1/16" ANGLES: ±1/2"		MATERIAL STAINLESS STEEL	
	THIS DOCUMENT CONTAINS PROPRIETARY INFORMATION AND SUCH INFORMATION MAY NOT BE REPRODUCED OR DISCLOSED FOR ANY PURPOSE OR USED TO PRODUCE THE ARTICLE OR SUBJECT WITHOUT WRITTEN PERMISSION FROM COTI, INC.			

SCALE	SIZE	PART/DRAWING NO.	REV.
NONE	B	DOD-CP 26S3	-
MODEL	CP 26S3	SHEET	1 OF 1