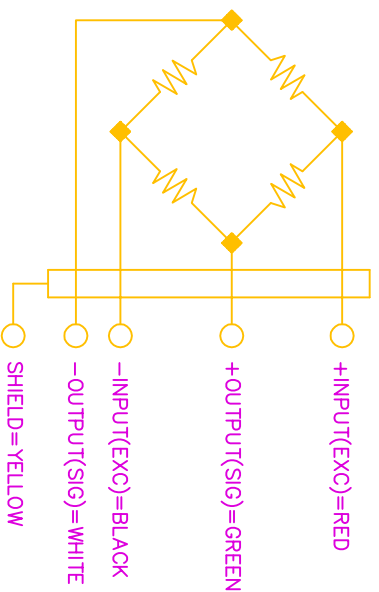


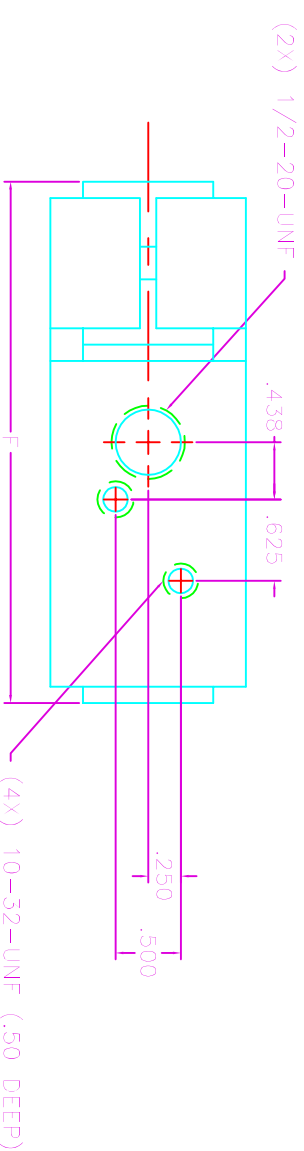
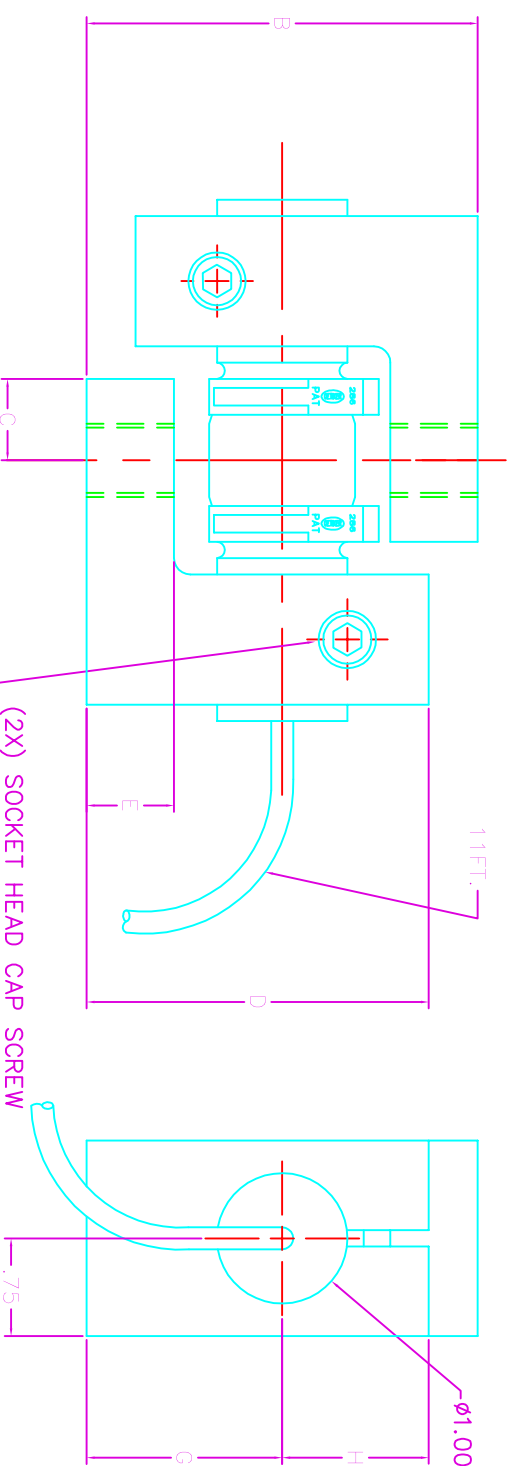
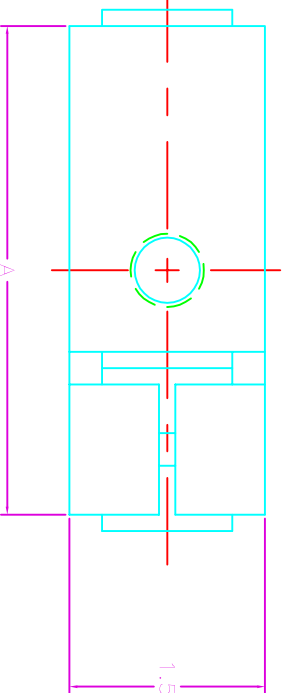
SPECIFICATIONS

CAPACITY'S: 50,100,200,250,300,500,1K,2K,3K
 FULL SCALE OUTPUT (mV/V): 3.0 ±0.25%
 TEMPERATURE OPERATING RANGE: -50° C TO +90° C
 COMBINED ERROR (FSO): <0.05%
 ZERO BALANCE (FSO): ±1.0%
 EXCITATION VOLTAGE (VDC): 10 (15 MAX)
 SAFE OVERLOAD (FSO): 150%
 ULTIMATE OVERLOAD (FSO): 300%
 SAFE SIDELOAD (FSO): 50%
 SIDELOAD REJECTION RATIO SEALING: 500:1
 ENVIRONMENTALLY PROTECTED FOR NEMA 6 OR IP67
 ELEMENT 17-4PH
 MATERIAL / FINISH: ARMS STEEL - NICKEL PLATED
 BRIDGE RESISTANCE: INPUT (OHMS) 450 NOMINAL
 OUTPUT (OHMS) 350 ±5

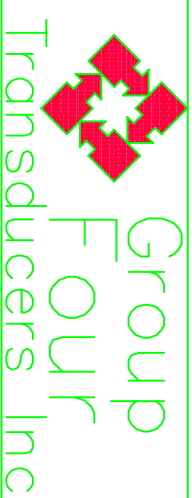
CABLE COLOR CODE:



-	A	B	C	D	E	F	G	H
50-1K	3.75	3.00	.63	2.62 (2PL'S)	.67	4.00	1.50	1.125
2K-3K	4.39	4.56	.71	3.75 (2PL'S)	1.00	4.00	2.28	1.47



TOTALCOMP
CONTROL DWG



THIS PRINT IS FURNISHED WITH THE UNDERSTANDING THAT THE ESSENCE THEREOF WILL NOT BE REPRODUCED IN WHOLE OR IN PART WITHOUT WRITTEN AUTHORIZATION OF GROUP FOUR TRANSDUCERS INC. ALL DESIGNS ARE THE PROPERTY OF GROUP FOUR TRANSDUCERS INC. AND WILL BE PROTECTED BY PATENTS.

NAME: **G4-CBXXX-S**

DRN	MSL	ENG	SCALE
CHKD	MSL	APP'D	DO NOT SCALE DRWG
DWG.	MSL	PJK	NOT TO SCALE
NO.	200692		PROJ. NO./SPEC. NO. C:\DRAWINGS\CB-S\200692

INITIAL ENGINEERING RELEASE

NO.	ZONE	ECO #
-		

RECORD OF CHANGES

APPROVED BY:
 SIGN AND DATE

15 | 14 | 13 | 12 | 11 | 10 | 9 | 8 | 7 | 6 | 5 | 4 | 3 | 2 | 1