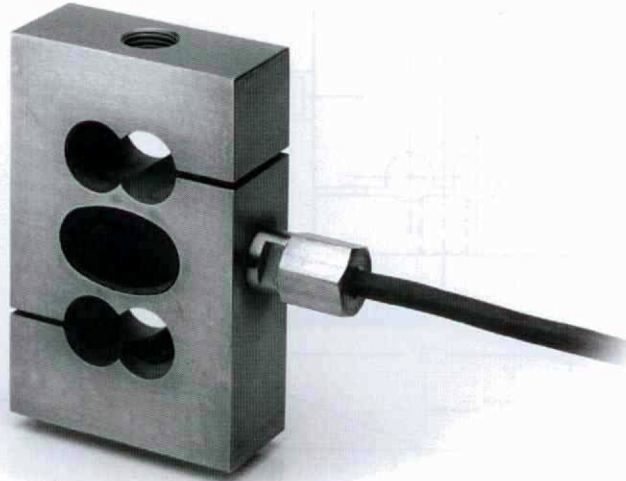




The RSC is a universal load cell for use in tension and compression for both scale conversions and vessel weighing applications

**RSC**  
universal load cell



*RSC universal load cell*  
**technical data**

	50	100	200	300	500	1K	2K	3K	5K	10K
Rated capacity (lbs)										
Rated output (mV/V)									2.0 ±	.20
Combined error due to non-linearity and hysteresis (%)										0.03
Non-repeatability (%)										0.01
Creep in 20 min (%)										0.03
Zero balance (%)										1.0
Compensated Temp. Range (°F/°C)										+14 to +104/-10 to +40
Temp effect:										
Output (% of load/100°F)										0.08
Zero balance (% of load/100°F)										0.15
Terminal resistance:										
Input (ohms min.)										350
Output (ohms)										350 ± 1.5
Excitation voltage: Maximum VDC or VAC rms										18
Insulation resistance (megohms min.)										5000 at 50 VDC
Max load safe (%)										150
Max load ultimate (%)										300
Deflection @ rated load (inches)	0.005	0.006	0.006	0.007	0.006	0.006	0.010	0.012	0.015	.018
Weight (lbs)	.9					1.7			3.5	4

- **Stainless steel**
- **Superior performance**
- **Compression and tension measurements**



**HBM, Inc.**

19 Bartlett Street  
Marlboro, MA 01752

Tel: (508) 624-4500

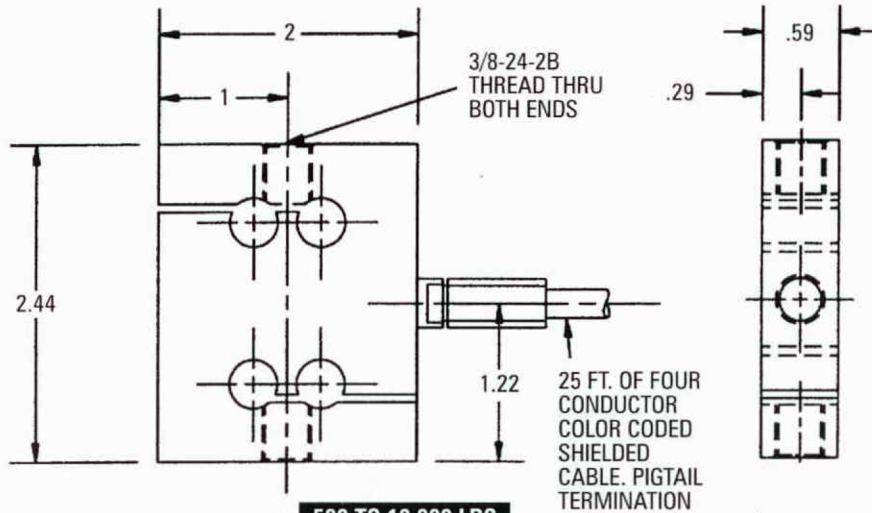
Fax: (508) 485-7480

Website: [www.hbm.com](http://www.hbm.com)

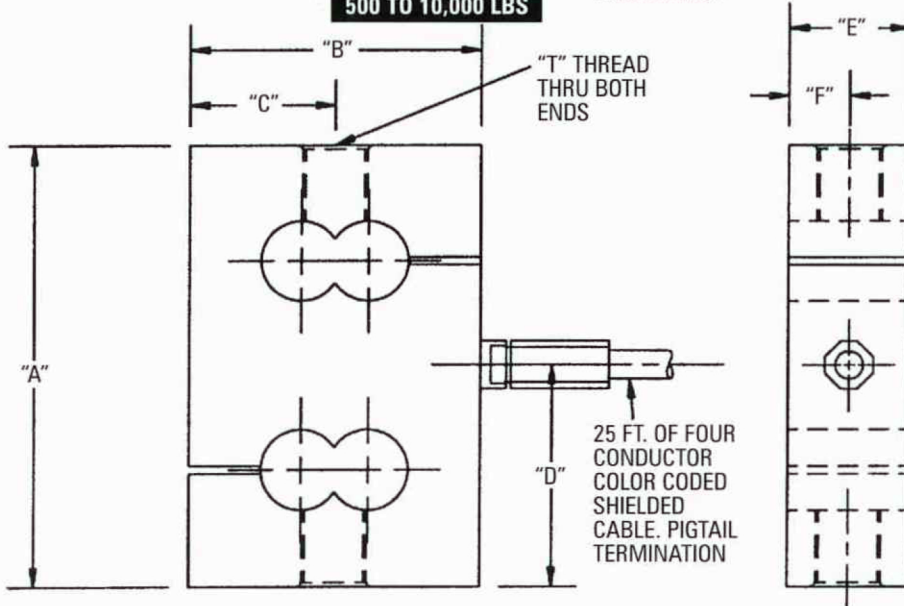
Percentages relative to rated output, except as noted.  
REQUEST CERTIFIED DRAWINGS BEFORE DESIGNING MOUNTINGS OR FIXTURES.  
DIMENSIONS AND SPECIFICATIONS ARE SUBJECT TO CHANGE WITHOUT NOTICE.

# RSC universal load cell

## 50 TO 300 LBS



## 500 TO 10,000 LBS



CAPACITY (POUNDS)	DIMENSIONS (INCHES)						
	A	B	C	D	E	F	T-THREAD
500-3K	3.44	2.25	1.12	1.72	0.94	0.47	1/2 - 20UNF-2B
5K	3.94	2.75	1.38	1.97	1.19	0.59	3/4 - 16UNF-2B
10K	3.94	3.00	1.50	1.97	1.44	0.72	3/4 - 16UNF-2B

CABLE COLOR CODE	
+ SIG	WHITE
- EXC	BLACK
+ EXC	GREEN
- SIG	RED
SHIELD	YELLOW



**HBM, Inc.**  
 19 Bartlett Street  
 Marlboro, MA 01752  
 Tel: (508) 624-4500  
 Fax: (508) 485-7480  
 Website: [www.hbm.com](http://www.hbm.com)