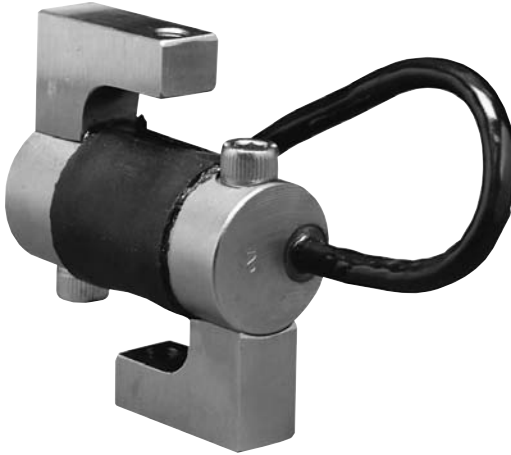


S-Beam Load Cell



FEATURES

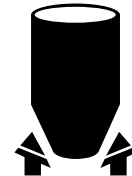
- Rated capacities of 25 to 250 pounds
- Alternative mounting configurations
- 20 feet standard cable length
- Constructed of high quality alloy tool steel
- Nickel plated for corrosion resistance
- Compact design
- Exceeds NIST H-44 performance requirements
- Factory Mutual System Approved for Classes I, II, III; Divisions 1 and 2; Groups A through G. Also, Non-incendive ratings (No Barriers!).
- ISO 9001:2000 Certified manufacturing facilities

APPLICATIONS

- Tank, bin and hopper weighing
- Tension measurements
- Single or multiple load cell configurations

RATED CAPACITIES
lbs
25, 50, 75, 100, 150, 250

FULL SCALE OUTPUT (FSO)
lbs
3.0 mV/V \pm 0.25%



ISO
9001:2000

Factory Mutual System
 Approved

ACCURACY CLASS	
	STANDARD
Max. No. Verification Intervals	--
Combined Error % FSO	≤ 0.03
Nonlinearity % FSO	≤ 0.03
Hysteresis % FSO	≤ 0.02
Creep Error % FSO	≤ 0.03 in 20 minutes
Temperature Effect on: Zero % FSO/°F Output % of Load/°F	≤ 0.0015 ≤ 0.0008

PERFORMANCE SPECIFICATIONS

Non-Repeatability % FSO: ≤ 0.1

Zero Balance % FSO: ≤ 1.0

Insulation Resistance: >1000 Mohms at 50 VDC

Compensated Temp. Range: 14° to 104°F [-10° to 40°C]

Operating Temp. Range: 0° to 150°F [-18° to 65°C]

Storage Temp. Range: -60° to 185°F [-50° to 85°C]

Input Resistance: 380-450 Ohms

Output Resistance: 349-355 Ohms

Recommended Excitation Voltage: 10 Volts DC

Maximum Excitation Voltage: 15 Volts DC

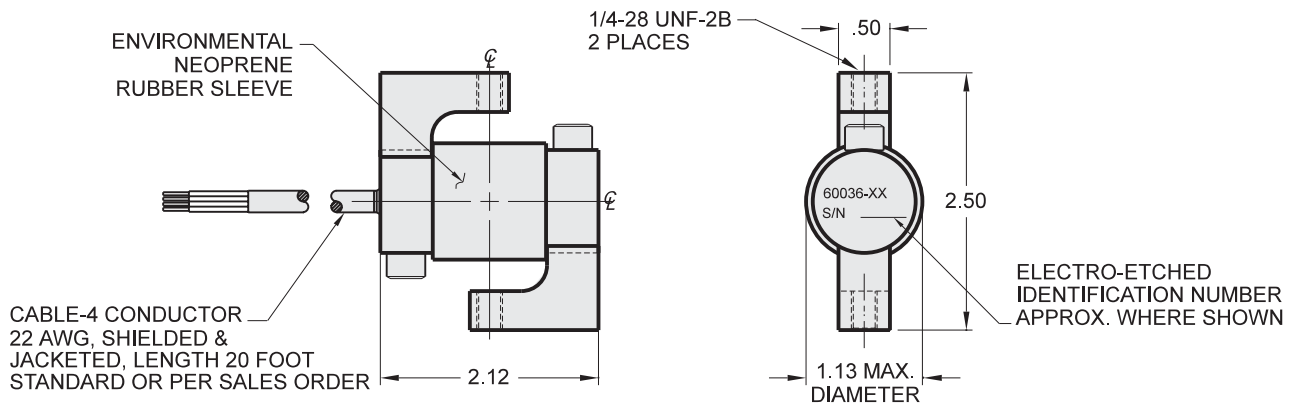
Safe Overload: 150% of Rated Capacity

Ultimate Overload: 300% of Rate Capacity

Sealing: Sealed Neoprene Boot

Material: Alloy Tool Steel

Finish: Electroless Nickel Plated

DIMENSIONAL OUTLINE DRAWING in inches**WIRING**

+ Excitation = Red; - Excitation = Black; + Output = Green;
- Output = White

Dimensions are in inches. Capacities are in pounds. Deflection is ±10%. Specifications are subject to change. Certified drawings are available.

VISHAY TRANSDUCERS (VT) - SALES OFFICES**VT Americas**

Covina, CA
PH: +1-800-722-0820
FAX: +1-626-332-3418
vt.us@vishaymg.com

VT Canada

Toronto
PH: +1-416-251-2554
FAX: +1-416-251-2690
vt.can@vishaymg.com

VT UK

Basingstoke
PH: +44-125-646-2131
FAX: +44-125-647-1441
vt.uk@vishaymg.com

VT Sweden

Karlskoga
PH: +46-586-630-00
FAX: +46-586-630-99
vt.se@vishaymg.com

VT Germany

Heilbronn
PH: +49-7131-3901-260
FAX: +49-7131-3901-2666
vt.de@vishaymg.com

VT France

Chartres
PH: +33-2-37-33-31-20
FAX: +33-2-37-33-31-29
vt.fr@vishaymg.com

VT Spain

Madrid
PH: +34-91-7218890
FAX: +34-91-7219056
vt.es@vishaymg.com

VT Finland

Jorvas
PH: +358-(0)9-8194-220
FAX: +358-(0)9-8194-2211
vt.fi@vishaymg.com

VT Norway

Oslo
PH: +47-22-21-40-70
FAX: +47-22-21-92-10
vt.no@vishaymg.com

VT Israel

Netanya
PH: +972-9-863-8888
FAX: +972-9-863-8800
vt.il@vishaymg.com

VT China

Tianjin
PH: +86-22-2835-3503
FAX: +86-22-2835-7261
vt.prc@vishaymg.com

VT Taiwan*

Taipei
PH: +886-2-2696-0168
FAX: +886-2-2696-4965
vt.roc@vishaymg.com
*Asia except China



Notice

Specifications of the products displayed herein are subject to change without notice. Vishay Intertechnology, Inc., or anyone on its behalf, assumes no responsibility or liability for any errors or inaccuracies.

Information contained herein is intended to provide a product description only. No license, express or implied, by estoppel or otherwise, to any intellectual property rights is granted by this document. Except as provided in Vishay's terms and conditions of sale for such products, Vishay assumes no liability whatsoever, and disclaims any express or implied warranty, relating to sale and/or use of Vishay products including liability or warranties relating to fitness for a particular purpose, merchantability, or infringement of any patent, copyright, or other intellectual property right.

The products shown herein are not designed for use in medical, life-saving, or life-sustaining applications. Customers using or selling these products for use in such applications do so at their own risk and agree to fully indemnify Vishay for any damages resulting from such improper use or sale.