

## Welded, Stainless Steel Double-Ended Shear Beam Load Cell


**65016-TWA**

**65086**

**FEATURES**

- Rated capacities of 1000 to 75,000 pounds
- Stainless steel, welded seal construction
- Insensitive to side loads and bending moments
- High output - well suited to high deadload/low liveload applications
- Load cells have matched outputs for multi-cell systems
- Integral conduit adaptor
- *Sensorgage*™ sealed to IP67 standards
- Factory Mutual System Approved for Classes I, II, III; Divisions 1 and 2; Groups A through G. Also, non-incendive ratings (No barriers!).

**OPTIONAL FEATURE**

- Fully hermetically sealed available

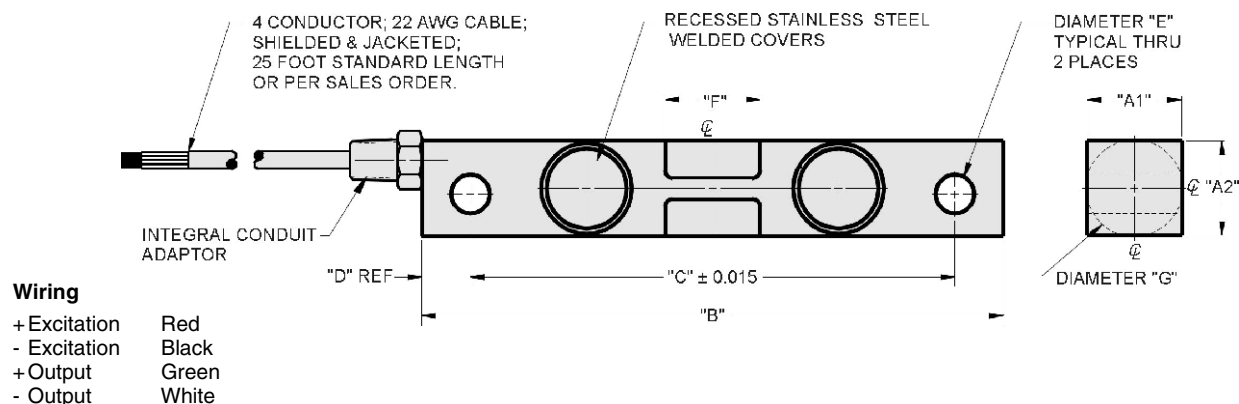
**DESCRIPTION**

65016-0104W is designed to be center-mounted with double-linked loading. This design provides free movement in all horizontal directions virtually eliminating binding or friction points. The double Shear Beam design gives excellent performance for high capacity loading.

65016-0104W is constructed of stainless steel and is designed to work in extremely harsh environment such as chemical and food industry.

**APPLICATIONS**

- Hostile environments:  
Food and beverage processing  
Chemical and plastics processing  
Pharmaceutical and biomedical processing
- Tank, bin and silo weighing
- Batching, blending and mixing systems
- Level and inventory monitoring

**OUTLINE DIMENSIONS** in inches


CAPACITY	A1	A2	B	C	D	E	F	G	THREAD
1K - 5K	1.22	1.22	7.50	6.25	0.62	0.50	1.12	1.25	1/4-18NPT
10K - 25K	1.44	1.94	8.75	7.50	0.62	0.81	1.62	1.99	1/4-18NPT
35K	1.44	2.44	8.75	7.50	0.62	0.81	1.62	2.50	1/4-18NPT
50K - 75K	2.44	2.94	13.50	11.50	1.00	1.31	3.25	2.99	1/2-14NPT

Capacities are in pounds.

# Model 65016-0104W

Vishay Sensortronics

Welded, Stainless Steel  
Double-Ended Shear Beam Load Cell



## SPECIFICATIONS

PARAMETER	VALUE	UNIT
Rated capacity-R.C. ( $E_{max}$ )	1K, 1.5K, 2.5K, 5K, 10K, 15K, 25K, 35K, 50K, 75K	lbs
NTEP/OIML Accuracy class	Standard	
Maximum no. of intervals (n)	--	
Rated output-R.O.	3.0	mV/V
Rated output tolerance	0.25	±% mV/V
Zero balance	1.0	±% FSO
Non-linearity	0.07%	±% FSO
Hysteresis	0.07%	±% FSO
Non-repeatability	0.01	±% FSO
Creep error (20 minutes)	0.03	±% FSO
Temperature effect on zero	0.0015	±% FSO/°F
Temperature effect on output	0.0008	±% of load/°F
Compensated temperature range	14 to 104 (-10 to 40)	°F (°C)
Operating temperature range	0 to 150 (-18 to 65)	°F (°C)
Storage temperature range	-60 to 185 (-50 to 85)	°F (°C)
Sideload rejection ratio	500:1	
Safe sideload	100	% of R.C.
Maximum safe central overload	150	% of R.C.
Ultimate central overload	300	% of R.C.
Excitation, recommended	15	Vdc or Vac rms
Excitation, maximum	25	Vdc or Vac rms
Input impedance	686 - 714	Ω
Output impedance	699 - 707	Ω
Insulation resistance at 50VDC	>1000	MΩ
Material	Stainless steel	
Environmental protection	IP67 IP68 welded seals, glass to metal seal	Standard Special

FSO -Full Scale Output

All specifications subject to change without notice.

## VISHAY TRANSDUCERS (VT) SALES OFFICES

**VT Americas**  
City of Industry, CA  
PH: +1-626-858-8899  
FAX: +1-626-332-3418  
vt.us@vishaymg.com

**VT Netherlands**  
Breda  
PH: +31-76-548-0700  
FAX: +31-76-541-2854  
vt.nl@vishaymg.com

**VMG UK**  
Basingstoke  
PH: +44-125-646-2131  
FAX: +44-125-647-1441  
vt.uk@vishaymg.com

**VMG Israel**  
Netanya  
PH: +972-9-863-8888  
FAX: +972-9-863-8800  
vt.il@vishaymg.com

**VMG Germany**  
Heilbronn  
PH: +49-7131-3901-260  
FAX: +49-7131-3901-2666  
vt.de@vishaymg.com

**VT China**  
Tianjin  
PH: +86-22-2835-3503  
FAX: +86-22-2835-7261  
vt.prc@vishaymg.com

**VMG France**  
Chartres  
PH: +33-2-37-33-31-20  
FAX: +33-2-37-33-31-29  
vt.fr@vishaymg.com

**VT Taiwan\***  
Taipei  
PH: +886-2-2696-0168  
FAX: +886-2-2696-4965  
vt.roc@vishaymg.com  
\*Asia except China



## Notice

Specifications of the products displayed herein are subject to change without notice. Vishay Intertechnology, Inc., or anyone on its behalf, assumes no responsibility or liability for any errors or inaccuracies.

Information contained herein is intended to provide a product description only. No license, express or implied, by estoppel or otherwise, to any intellectual property rights is granted by this document. Except as provided in Vishay's terms and conditions of sale for such products, Vishay assumes no liability whatsoever, and disclaims any express or implied warranty, relating to sale and/or use of Vishay products including liability or warranties relating to fitness for a particular purpose, merchantability, or infringement of any patent, copyright, or other intellectual property right.

The products shown herein are not designed for use in medical, life-saving, or life-sustaining applications. Customers using or selling these products for use in such applications do so at their own risk and agree to fully indemnify Vishay for any damages resulting from such improper use or sale.