

Self Contained Weighing Module



FEATURES

- Capacities 3-90kg
- **Unique adjustable tare load cancelling mechanism**
- Highly effective viscous damping
- 6 Built-in overload limit stops in three directions
- Weighing speed is much faster than standard load cell
- IP65 protection

OPTIONAL FEATURES

- Stainless steel version
- IP66 with additional breather tube
- Digital version available

DESCRIPTION

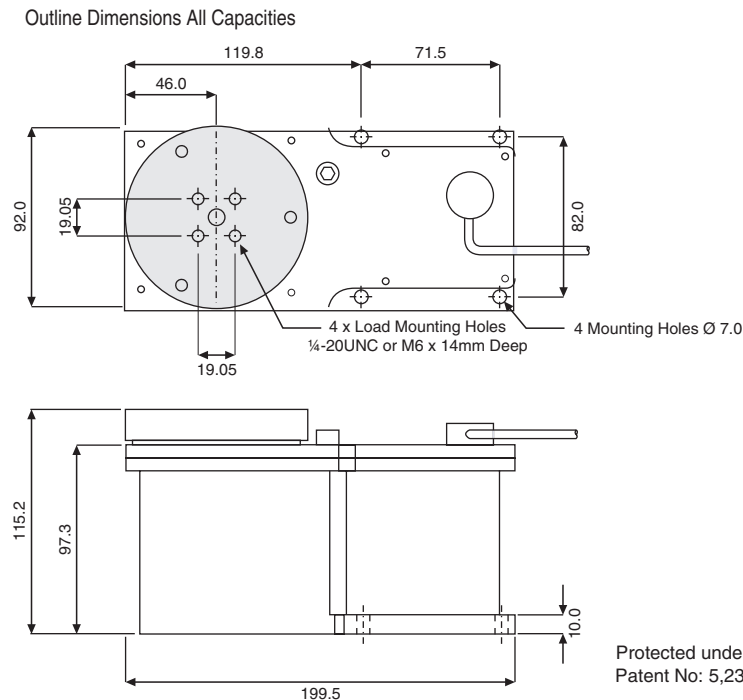
Model 9010 is a self contained weighing module for use in repeated shock-loading applications or where fast weighing and settling times are required such as multihead weighers, check weighers and other static and dynamic weighing applications characterized by sudden or impact loading.

Model 9010's unique fluid damping system allows the load cell to be used in applications that previously required the use of LVDT's or similar types of measuring devices.

The model 9010 has a unique adjustable tare load cancellation feature which brings load cell adaptability into checkweighing and grading applications.

The two additional sense wires feed back the voltage reaching the load cell. Complete compensation of changes in lead resistance due to temperature change and/or cable extension, is achieved by feeding this voltage into the appropriate electronics.

OUTLINE DIMENSIONS in millimeters





HIGH PERFORMANCE DYNAMIC WEIGHING

Weigh Module 9010 consists of a Vishay Tedeo-Huntleigh single point load cell enclosed in an environmentally protected, electroless nickel plated aluminium housing. The Module integrates load cell performance, viscous damping, adjustable tare offset mechanism and overload protection.

LOAD CELL

Vishay Tedeo-Huntleigh's Model 1010, 1040 or 1140 single point load cells can be used in the Model 9010. Standard capacities 3kg to 90kg; for higher capacities, consult Vishay Tedeo-Huntleigh.

OVERLOAD PROTECTION

Model 9010 is equipped with built-in overload stops for positive (push), negative (pull) and twisting loads. These stops are factory adjusted for each specific application.

DAMPING

Model 9010 features a unique viscous damping technique developed and patented by Vishay Tedeo-Huntleigh, which provides

- Faster settling time

- Higher weighing speeds
- Load cell protection (extended working life)

Damping parameters are factory set for each specific application. The benefits of damping are illustrated by the test results shown below, which show actual oscilloscope traces for damped and undamped load cells under identical tests.

TARE LOAD CANCELLING

Model 9010 features an adjustable tare load cancelling mechanism which provides a tare offset of up to 35kg (in several ranges). The tare offset is factory set but may be adjusted by the user. This feature enables the use of a lower capacity load cell, resulting in electronic circuits with lower gains, lower noise, higher stability and lower temperature drifts.

An example for the power of tare cancelling:

Assume an application with 5kg dead load and 2kg (useful) load.

1. Without tare cancelling:
Total load of 5+2 is 7kg, therefore, a load cell with capacity of at least 10kg has to be selected.
2. With tare cancelling:
The 5kg dead load can be opposed and effectively cancelled by the Tare Cancellation Mechanism, leaving a load of 2kg only, hence a capacity of 3kg can be selected.
3. Results:
A capacity of 3kg rather than of 10kg is enabled by the Tare Cancellation feature for a gain of over 3 times in resolution and noise.

LOAD CELL LIFE

Because of the design and unique features of Model 9010, the life of the load cell is increased substantially. For example, in one typical set of life tests, the undamped load cell failed after approximately 300,000 cycles. The damped load cell held without any significant deterioration for more than 300 million cycles. In this test a model 1010-10kg load cell was used. A dead load of 2.5kg was mounted 150mm from the mounting centre. A 4.5kg impact was applied at that point at a rate of 8 times/sec.

ENVIRONMENTAL PROTECTION

The load cell in the model 9010 is completely enclosed in a rugged, electroless nickel plated aluminium or stainless steel housing to withstand splashing. It is environmentally protected to IP65, a special "breather valve" allows atmospheric pressure equalization while excluding splashing liquids.

With an optional addition of a breather tube the protection is rendered IP66. A built-in shut-off valve is used for shipping.

SETTLING TIME

Settling time is the elapsed time from the instant of loading to the time the load cell's signal remains within the user specified accuracy.

Settling time is affected by the following parameters.

1. Total mass on the module and it's distance from the mounting centre.
2. Impact loading characteristics.
3. Environmental temperature change.

For optimum performance, the above parameters must be specified by the user for each order.



APPLICATION AND ORDER DATA

TO BE COMPLETED BY THE CUSTOMER

CUSTOMER'S NAMEORDER No.....

CONTACT PERSONDATE.....

APPLICATIONNo. of UNITS.....

TOTAL TARE WEIGHT (DEAD LOAD) kg; FOR EACH UNIT kg

TOTAL USEFUL WEIGHT (LIVE LOAD)..... kg; FOR EACH UNIT kg

DESCRIBE LIVE LOAD (POWDER, FRUIT, SCREWS ETC).....

REQUIRED SETTLING TIMEmsec; ACCURACY

OPERATING TEMPERATURE RANGE °C:

MOUANTING THREADS mm (6x1) inch (1/4 UNC)

PREFERRED LOAD CELL, IF ANY

1. CHECKWEIGHER (SEE SKETCH BELOW):.....

SIZE OF CONVEYOR PLATFORM:.....

WIDTH cm; A cm; B cm; C cm

SPEED OF BELT cm/sec; SIZE OF WEIGHED PRODUCT IN MOVEMENT DIRECTION..... cm

TARE WEIGHT DISTRIBUTION: CONVEYOR:..... kg; MOTOR:..... kg

2. HOPPER OR OTHER APPLICATION (SEE SKETCH BELOW):.....

CENTER OF GRAVITY (CofG) OF DEAD LOAD, (ESTIMATE IF NECESSARY): D cm; F..... cm

LOADING POSITION: D cm; F..... cm; DROP HEIGHT:..... cm

IF LOAD CofG VAIRES, MAX DIST. BETWEEN EXTREMES..... cm

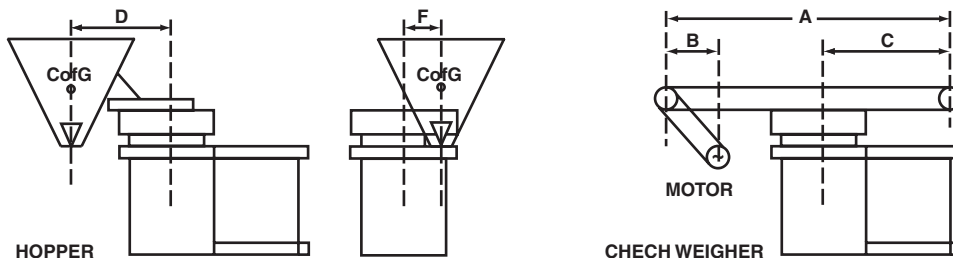
SPECIAL REQUIREMENTS

CABLE LENGTH IF NOT STANDARD (1 m); DELIVERY REQUESTED

CORNERS ACCURACY: TEST WIGHT (MAX. ALLOWED 1/3 OF LOAD CELL CAPACITY) kg

DISTANCE FROM CENTER cm VARIATION ALLOWED

DEFINITION OF LOADING POSITION RELATIVE TO 9010



SPECIFICATIONS

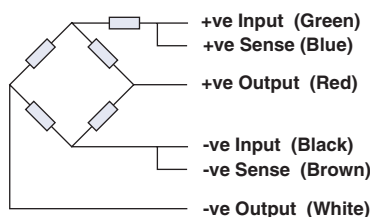
PARAMETER	VALUE	UNIT
Rated capacity-R.C.	3, 5, 7, 10, 15, 20, 30, 50, 90	kg
VT Accuracy class	G	
Maximum no. of intervals (n)	3000	
Rated output-R.O.	2.0	mV/V
Rated output tolerance	0.2	±mV/V
Total error*	0.030	±% of R.O.
Temperature effect on span*	0.002	±% of R.O./°C
Temperature effect on zero: load cell	0.004	±% of load/°C
buoyancy	0.15	+gr/°C rise
tare offset	0.25 x tare offset (kg)	+gr/°C rise
Temperature range - standard*	10 to 30	°C
Tare offset ranges	0 to 35	kg
Safe static overload		
downward at mounting centre	800	% of R.C.
upward at mounting centre	400	% of R.C.
200mm in front or side of mounting centre	200	% of R.C.
Settling time - typical	40 - 300	millisecond
Temperature effect on settling time	2	%/°C
Excitation, recommended	10	Vdc or Vac rms
Excitation, maximum	15	Vdc or Vac rms
Input impedance	415±15	Ohms
Output impedance	350±5	Ohms
Insulation resistance	>5000	MegaOhms
Weight	3	kg
Construction	Anodized body, electroless nickel plating**	
Environmental protection	IP65***	

* Extended temperature ranges and smaller temperature effects are available upon request.

** Optional stainless steel coating available upon request.

*** IP66 available with additional breather tube.

Wiring Schematic Diagram



VISHAY TRANSDUCERS (VT) SALES OFFICES

VT Americas
City of Industry, CA
 PH: +1-626-858-8899
 FAX: +1-626-332-3418
 vt.us@vishaymg.com

VT Netherlands
Breda
 PH: +31-76-548-0700
 FAX: +31-76-541-2854
 vt.nl@vishaymg.com

VMG UK
Basingstoke
 PH: +44-125-646-2131
 FAX: +44-125-647-1441
 vt.uk@vishaymg.com

VMG Israel
Netanya
 PH: +972-9-863-8888
 FAX: +972-9-863-8800
 vt.il@vishaymg.com

VMG Germany
Heilbronn
 PH: +49-7131-3901-260
 FAX: +49-7131-3901-2666
 vt.de@vishaymg.com

VT China
Tianjin
 PH: +86-22-2835-3503
 FAX: +86-22-2835-7261
 vt.prc@vishaymg.com

VMG France
Chartres
 PH: +33-2-37-33-31-20
 FAX: +33-2-37-33-31-29
 vt.fr@vishaymg.com

VT Taiwan*
Taipei
 PH: +886-2-2696-0168
 FAX: +886-2-2696-4965
 vt.roc@vishaymg.com
 *Asia except China



Notice

Specifications of the products displayed herein are subject to change without notice. Vishay Intertechnology, Inc., or anyone on its behalf, assumes no responsibility or liability for any errors or inaccuracies.

Information contained herein is intended to provide a product description only. No license, express or implied, by estoppel or otherwise, to any intellectual property rights is granted by this document. Except as provided in Vishay's terms and conditions of sale for such products, Vishay assumes no liability whatsoever, and disclaims any express or implied warranty, relating to sale and/or use of Vishay products including liability or warranties relating to fitness for a particular purpose, merchantability, or infringement of any patent, copyright, or other intellectual property right.

The products shown herein are not designed for use in medical, life-saving, or life-sustaining applications. Customers using or selling these products for use in such applications do so at their own risk and agree to fully indemnify Vishay for any damages resulting from such improper use or sale.