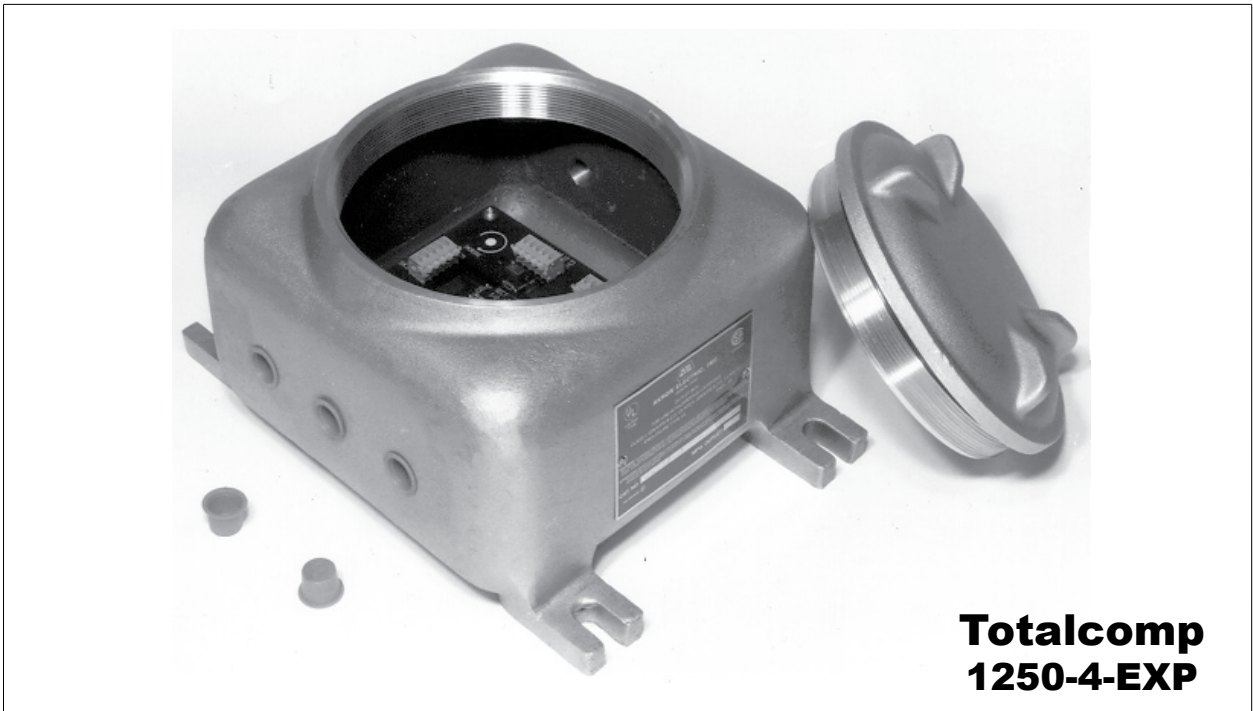


HAZARDOUS

1250-4-EXP



Cast Aluminum Instrument Housings and Junction Boxes for Explosionproof and Dust-ignitionproof applications from Totalcomp

- ✓ *Threaded opening.*
- ✓ *Cast copper-free aluminum.*
- ✓ *(5) 1/2" NPT conduit holes, for load cells and indicator.*
- ✓ *Class I, Group D, Class II, Groups E, F & G.*

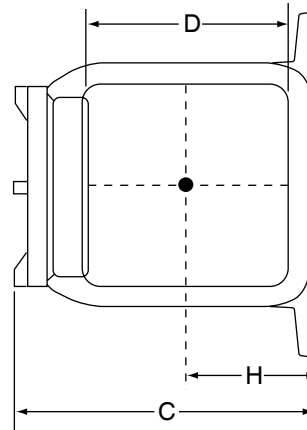
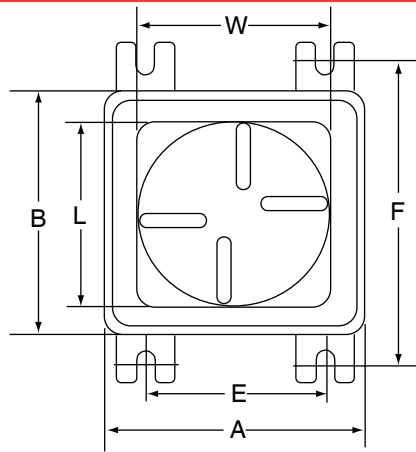


Totalcomp[®] Scales & Components

99 Reagent Lane • Fair Lawn, New Jersey 07410

Fax: 201-797-2287 • Toll Free Fax: 888-797-2288 • Phone: 201-797-2718 • Toll Free Phone: 800-631-0347

Email: sales@totalcomp.com • Website: www.totalcomp.com



1250-4-EXP

TOTALCOMP 1250-4-EXP HAZARDOUS EXPLOSION PROOF JUNCTION BOX

The *Totalcomp* 1250-4-EXP Hazardous Explosion Proof Junction Box consists of cast aluminum instrument housing and junction box for explosionproof and dust-ignitionproof applications. They are suitable for Class I, Groups D, Class II, Groups E, F, G and Class III. The screw on cover has O-Ring for NEMA 4 watertight.

Part Number	W	L	D	Throat Opening	A	B	C	E	F	Weight
1250-4-EXP	7.0	9.0	4.15	7.12	10.5	8.37	7.3	8.5	9.75	29 lb

TOTALCOMP LIMITED WARRANTY

Totalcomp warrants this product to be free of defects in materials and/or workmanship and suitable for the purpose(s) intended as outlined on this sheet. This warranty is effective and shall cover the purchaser for one year from the date of shipment from our plant. If this product is found to be defective by our inspection in accordance with the above listed criteria, we will replace or repair it at our expense. For warranty service, please obtain a return authorization number from us and return the item, shipping prepaid, with a written description of the problem. We will respond promptly with the results of our evaluation.



Totalcomp[®]

Scales & Components

99 Reagent Lane

Fair Lawn, NJ 07410

Fax (201) 797-2287

Toll Free Fax (888) 797-2288

Phone (201) 797-2718

Toll Free Phone (800) 631-0347

Email sales@totalcomp.com

Website www.totalcomp.com