

Totalcomp Model 433



Complete Strain Gage Bridge Signal Conditioner

- ✓ Isolated 4-20 mA or 0-20 mA Output.
- ✓ AC powered.
- ✓ Capable of driving four 350 ohm Load Cells.
- ✓ Bridge balance with 80% Tare Offset Capability.
- ✓ Rugged Epoxy Encapsulated Design.



Totalcomp[®] Scales & Components

99 Reagent Lane • Fair Lawn, New Jersey 07410

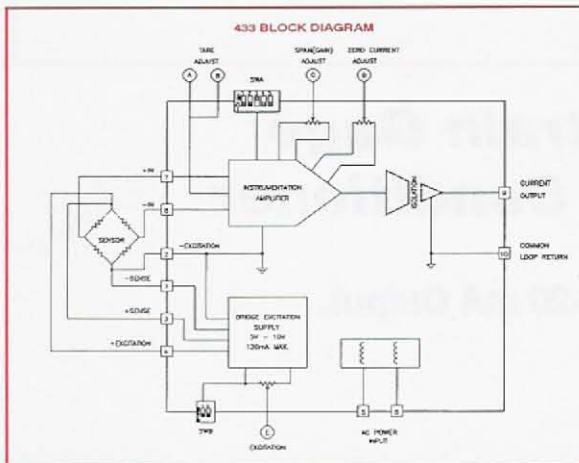
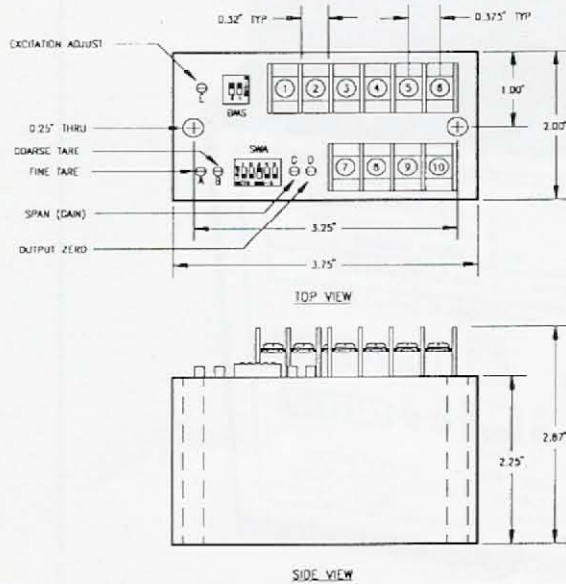
Fax: 201-797-2287 • Toll Free Fax: 888-797-2288 • Phone: 201-797-2718 • Toll Free Phone: 800-631-0347

Email: sales@totalcomp.com • Website: www.totalcomp.com

SPECIFICATIONS

Model 433 BRIDGESENSOR

The Model 433 is a self contained, AC powered signal conditioner for bridge type instrumentation. It contains a precision instrumentation amplifier with isolated, filtered output and a highly regulated, low noise, adjustable output bridge excitation source. The unit is completely encapsulated for use in rugged environments.



Isolation	
Input to Output	700 VDC 60pF
Amplifier	
Gain	
Adjustment Range	5 mV to 50 mV
Input for 4 - 20 mA Output	
Linearity	$\pm 0.01\%$ of Full Scale
Temperature Stability	50 PPM (0.005% / °C)
Input Noise	
.1 Hz to 10 Hz	2 μ V P-P
Tare Adjustment Range	
Bridge Offset	-3 mV to +25 mV (Equals 80% F.S. of 3 mV/V cell)
Input Resistance	
Differential and Common Mode	1000 megohm
Common Mode Rejection, DC	100 dB minimum
Common Mode Input	+ 5 Volts
Output	
Zero Adjust	
Temperature Coefficient	1 μ A/°C
Current Output Span	
Compliance Voltage	4 to 20 mA or 0 to 20 mA
Current	-1 to +20 mA
Loop Resistance	0 to 1000 ohms
Frequency Response, -3dB	10 Hertz, 2 Pole Roll Off
Response Time	
Rise Time 10% to 90%	35 ms
To 0.1% of Final Value	100 ms
Bridge supply	
Voltage Adjustment Range	
Temperature Coefficient	5 to 10 Volts
Fixed	100 PPM Typical
Temperature Coefficient	10.2V $\pm 2.5\%$
Load Current	60 PPM Typical
Regulation - Load and Line	0 to 120 mA
Output Noise	0.02% maximum
120 Hz Bandwidth	
Power Input	1 mV RMS, maximum
Optional	115 VAC, $\pm 10V$ 50/60 Hz @ 7 VA
Line Isolation	100, 220 or 230 VAC, $\pm 10\%$
Capacitance	
Dielectric Withstand	60 pF
Environment	1100 Volts RMS
Ambient Operating	
Storage	-25°C to +55°C
Weight	-25°C to +85°C
	18 oz. (510 grams)

TOTALCOMP LIMITED WARRANTY

Totalcomp warrants this products to be free of defects in materials and/or workmanship and suitable for the purpose(s) intended as outlined on this sheet. This warranty is effective and shall cover the purchaser for one year from the date of shipment from our plant. If this product is found to be defective by our inspection in accordance with the above listed criteria, we will replace or repair it at our expense. For warranty service, please obtain a return authorization number from us and return the item, shipping prepaid, with a written description of the problem. We will respond promptly with the results of our evaluation.

 **Totalcomp**[®]
Scales & Components

99 Reagent Lane
Fair Lawn, NJ 07410
Fax (201) 797-2287
Toll Free Fax (888) 797-2288
Phone (201) 797-2718
Toll Free Phone (800) 631-0347
Email sales@totalcomp.com
Website www.totalcomp.com